

iQ100, built-in oven, 60 x 60 cm, Stainless steel HA010FBR1M



1 x combination grid, 1 x universal pan

HZ317000	Pizza pan, enamelled
HZ327000	Baking stone
HZ333001	Lid for professional pan
HZ425001	Grill tray
HZ431002	Baking tray, enamelled
HZ438201	2 level telescopic shelf rails
HZ438301	3 level telescopic shelf rails
HZ625071	Grill tray, enamelled
HZ915003	Glass roasting dish, 5,4 L

The built-in oven with top-/bottom heat: for perfect results on one level thanks to optimal heat distribution.

✓ Top-/bottom heat: perfect results on one level thanks to optimal heat distribution.

Gross weight: 30.2 kg
 Installation type: Built-in
 Integrated Cleaning system: No
 Min. required niche size for installation (HxWxD): 575-597 x 560-568 x 550 mm
 Dimensions: 595 x 594 x 548 mm
 Dimensions of the packed product (HxWxD): ... 670 x 660 x 680 mm
 Control Panel Material: Stainless steel
 Door Material: Glass
 Net weight: 28.0 kg
 Usable volume of cavity: 71 l
 Cooking method: Conventional heat, Bottom heat, Full width variable grill, Half width variable grill
 First cavity material: Other
 Number of interior lights: 1
 Length electrical supply cord: 146.0 cm
 Interior Lights - cavity 1: 1
 Pull-out system: Accessory
 Included accessories: 1 x combination grid, 1 x universal pan
 Broil Element Wattages cavity 1: 2800 W
 Energy efficiency rating: A
 Energy consumption per cycle conventional (2010/30/EC): 0.90 kWh/cycle
 Energy efficiency index (2010/30/EC): 105.9 %
 Connection rating: 2850 W
 Fuse protection: 13 A
 Voltage: 220-240 V
 Frequency: 50-60 Hz
 Plug type: no plug
 Type of heating: Electric hob
 Required cutout/niche size for installation (in): x
 Dimensions of the packed product: 26.37 x 25.98 x 26.77
 Net weight: 62.000 lbs
 Gross weight: 67.000 lbs
 Length electrical supply cord: 146.0 cm
 Net weight: 28.0 kg



iQ100, built-in oven, 60 x 60 cm, Stainless steel HA010FBR1M

Type of oven / heating system:

- Oven with 4 heating methods: Top/bottom heat, Bottom heat, Full width variable grill, Half width variable grill
- Temperature range 50 °C - 275 °C
- Cavity volume: 71 l

Design:

- Rotary Control
- Cavity inner surface: enamel brown
- sheet metal door

Comfort:

- Drop down door
- Halogen interior lighting
- Bar handle
- 1 x universal pan, 1 x combination grid

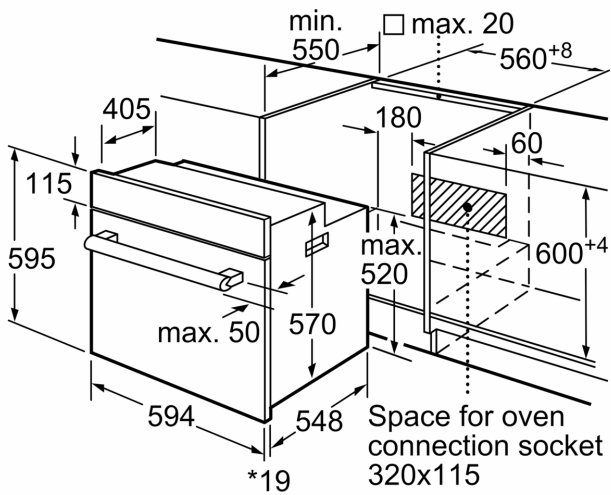
Technical Info:

- Length of mains cable: 146 cm
- Nominal voltage: 220 - 240 V
- Total connected load electric: 2.85 KW

Dimensions:

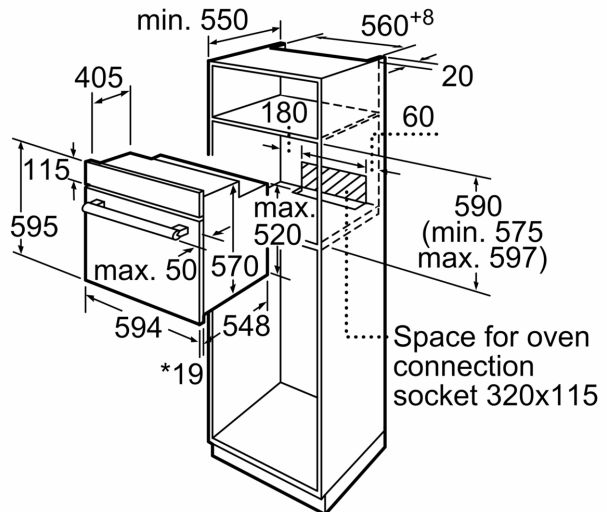
- Appliance dimension (hxwx): 595 mm x 594 mm x 548 mm
- Niche dimension (hxwx): 575 mm - 597 mm x 560 mm - 568 mm x 550 mm
- "Please reference the built-in dimensions provided in the installation drawing"

iQ100, built-in oven, 60 x 60 cm,
Stainless steel
HA010FBR1M



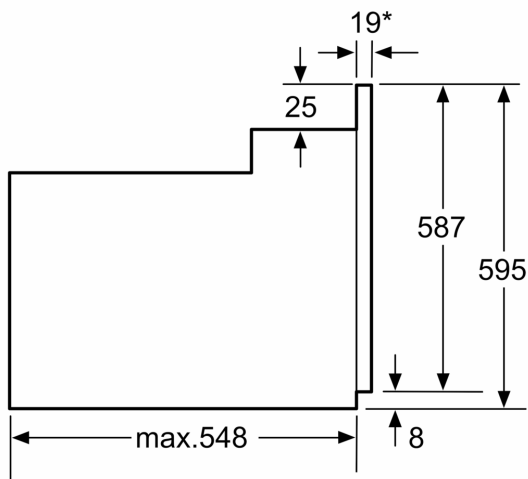
* 20 mm for metal fascias

measurements in mm



* 20 mm for metal fascias

measurements in mm



* 20 mm for metal fascias

Dimensions in mm