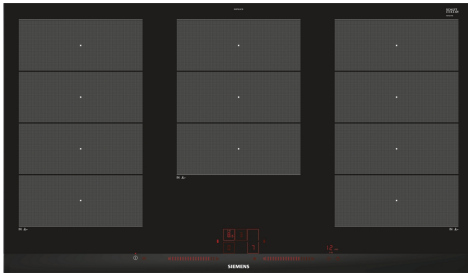



**iQ700, induction hob, 90 cm,
Black,
EX975LXC1E**



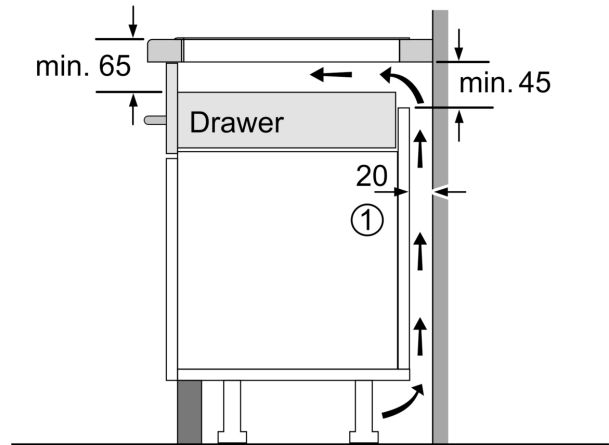
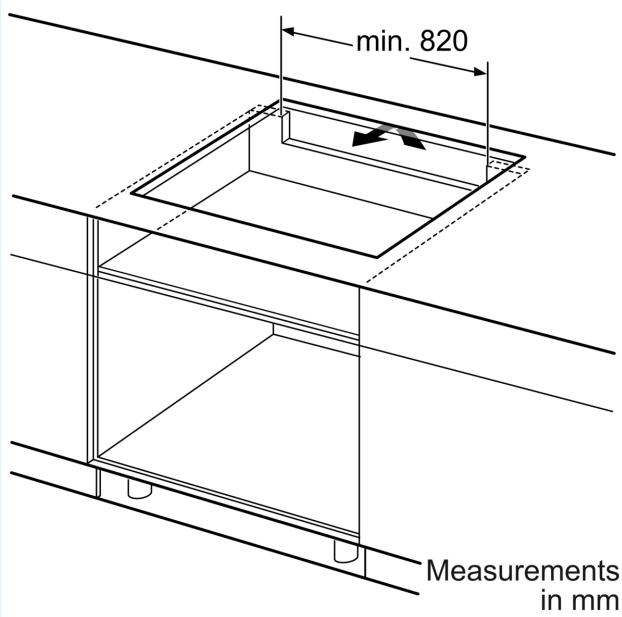
- ✓ Flexible cooking without predefined cooking zones – flexInduction.
- ✓ Dual lightSlider lets you easily and intuitively operate the cooktop.
- ✓ The fryingSensor plus controls the temperature in the pan so can never burn again.
- ✓ powerMove Plus enables intuitive control thanks to three heating zones with different temperatures – activated by touch.
- ✓ Shorter heating times with up to 50% more power thanks to the powerBoost-function.

HZ32WA00 Wireless food thermometer, HZ390011 Stainless Steel roaster with glas lid, HZ390012 Steaming Rack for Stainless Steel roaste, HZ390090 Wok Set consisting of 3 Items, HZ390210 System pan diameter 15 cm, HZ390220 System pan diameter 19 cm, HZ390230 System pan diameter 21cm, HZ390512 Teppan Yaki (large), HZ390522 Griddle Plate, HZ394301 Connecting strip, HZ9CF240 Fry pan, coated 24cm Ø, HZ9CF280 Fry pan, coated 28cm Ø, HZ9ES100 Espresso maker 4 cups, HZ9FE280 Iron pan Ø 18 / 28 cm, HZ9FF010 Flex Pan, large, HZ9FF030 Flex Pan set, 3 pcs., HZ9FF040 Flex Pan set, 4 pcs., HZ9SE030 Set of 2 pots and 1 pan, HZ9SE040 4 pieces Set, HZ9SE060 6 pieces Set, HZ9TY010 Teppan Yaki

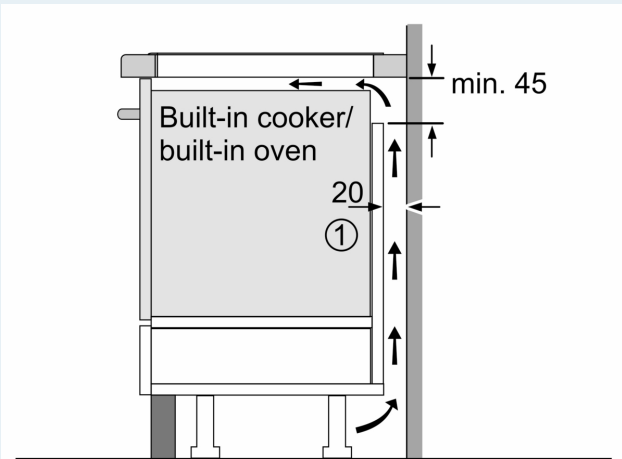
Product name/family: Cooking zone ceramic
 Installation type: Built-in
 Type of heating: Electric hob
 Total number of positions that can be used at the same time: 5
 Min. required niche size for installation (HxWxD):51 x 880-880 x 490-500 mm
 Width of the appliance: 912 mm
 Dimensions: 51x912x520 mm
 Dimensions of the packed product (HxWxD): . 126 x 1073 x 603 mm
 Net weight: 20.3 kg
 Gross weight: 24.0 kg
 Residual heat indicator: Separate
 Location of control panel: Front
 Basic surface material: Ceramic
 Color of surface: Black, Alu, brushed
 Length electrical supply cord: 110.0 cm
 Sealed Burners: No
 heating with booster: All
 Power of 2nd heating element (kW): 3.3 kW
 Power of heating element (kW in boost): [3.7] kW
 Power of 6th heating element (kW in boost): 3.7 kW
 Connection rating: 11 100 W
 Voltage: 220-240 V
 Frequency: 50; 60 Hz
 Type of heating: Electric hob
 Plug type:no plug
 Appliance Dimensions (h x w x d) (in): x x
 Dimensions of the packed product: 4.96 x 23.74 x 42.26
 Net weight: 45.000 lbs
 Gross weight: 53.000 lbs
 Total number of positions that can be used at the same time: 5
 Length electrical supply cord: 110.0 cm
 Min. required niche size for installation (HxWxD):51 x 880-880 x 490-500 mm
 Dimensions: 51x912x520 mm
 Dimensions of the packed product (HxWxD): . 126 x 1073 x 603 mm
 Net weight: 20.3 kg
 Gross weight: 24.0 kg



**iQ700, induction hob, 90 cm,
Black,
EX975LXC1E**



① Ventilation gap must be present.



① Ventilation gap must be present

All measurements in mm

