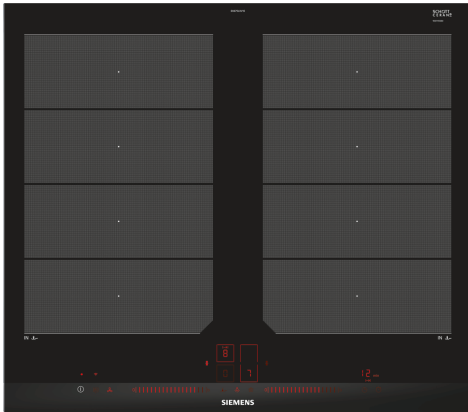


**iQ700, induction hob, 60 cm,
Black,
EX675LXV1E**



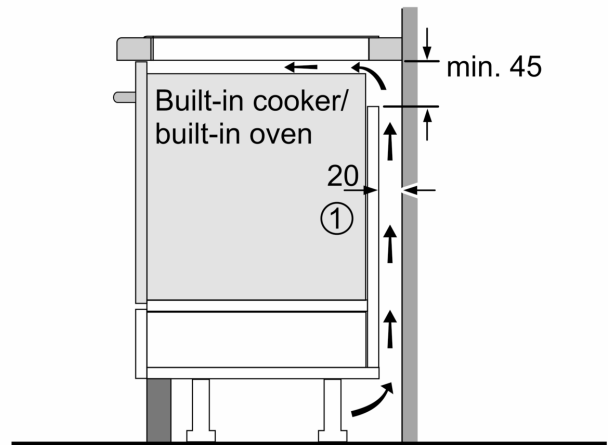
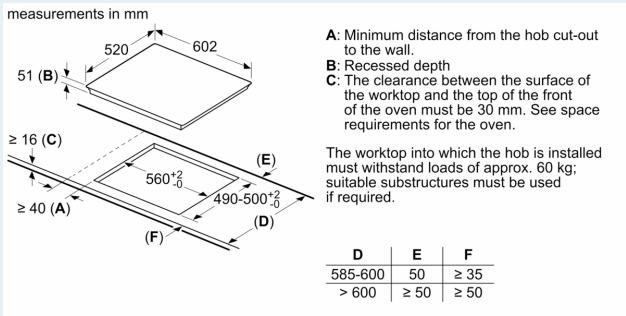
- ✓ Flexible cooking without predefined cooking zones – flexInduction.
- ✓ Dual lightSlider lets you easily and intuitively operate the cooktop.
- ✓ Home Connect: Information about your cooktop, no matter where you are via smartphone or tablet.
- ✓ The fryingSensor plus controls the temperature in the pan so can never burn again.
- ✓ powerMove Plus enables intuitive control thanks to three heating zones with different temperatures – activated by touch.

HZ390011 Stainless Steel roaster with glas lid, HZ390012 Steaming Rack for Stainless Steel roaste, HZ390090 Wok Set consisting of 3 Items, HZ390210 System pan diameter 15 cm, HZ390220 System pan diameter 19 cm, HZ390230 System pan diameter 21cm, HZ390512 Teppan Yaki (large), HZ390522 Griddle Plate, HZ394301 Connecting strip, HZ9ES100 Espresso maker 4 cups, HZ9FF030 Flex Pan set, 3 pcs., HZ9FF040 Flex Pan set, 4 pcs., HZ9FE280 Iron pan Ø 18 / 28 cm, HZ9FF010 Flex Pan, large, HZ9SE030 Set of 2 pots and 1 pan, HZ9SE040 4 pieces Set, HZ9SE060 6 pieces Set, HZ9TY010 Teppan Yaki

Product name/family: Cooking zone ceramic
 Installation type: Built-in
 Type of heating: Electric hob
 Total number of positions that can be used at the same time: 4
 Min. required niche size for installation (HxWxD):51 x 560-560 x 490-500 mm
 Width of the appliance: 602 mm
 Dimensions:51 x 602 x 520 mm
 Dimensions of the packed product (HxWxD): ... 126 x 753 x 603 mm
 Net weight: 14.8 kg
 Gross weight: 17.1 kg
 Residual heat indicator: Separate
 Location of control panel: Front
 Basic surface material: Ceramic
 Color of surface: Black, Alu, brushed
 Length electrical supply cord: 110.0 cm
 Sealed Burners: No
 heating with booster: All
 Power of 2nd heating element (kW): 3.3 kW
 Power of heating element (kW in boost): [3.7] kW
 Power of 6th heating element (kW in boost): 3.7 kW
 Connection rating: 7400 W
 Voltage:220-240 V
 Frequency:60; 50 Hz
 Type of heating:Electric hob
 Plug type:no plug
 Appliance Dimensions (h x w x d) (in): x x
 Dimensions of the packed product: 4.96 x 23.74 x 29.64
 Net weight: 33.000 lbs
 Gross weight: 38.000 lbs
 Total number of positions that can be used at the same time: 4
 Length electrical supply cord: 110.0 cm
 Min. required niche size for installation (HxWxD):51 x 560-560 x 490-500 mm
 Dimensions:51 x 602 x 520 mm
 Dimensions of the packed product (HxWxD): ... 126 x 753 x 603 mm
 Net weight: 14.8 kg
 Gross weight: 17.1 kg

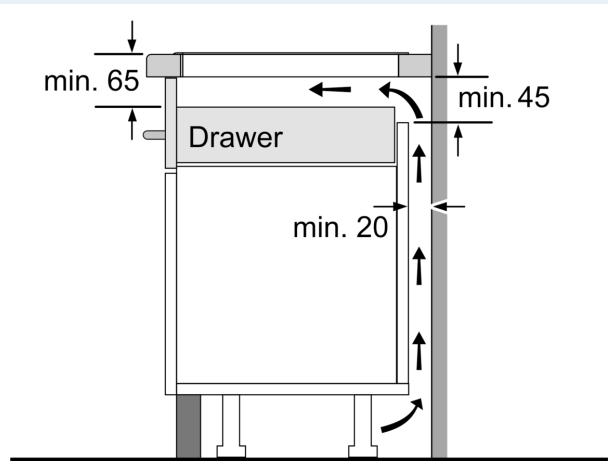
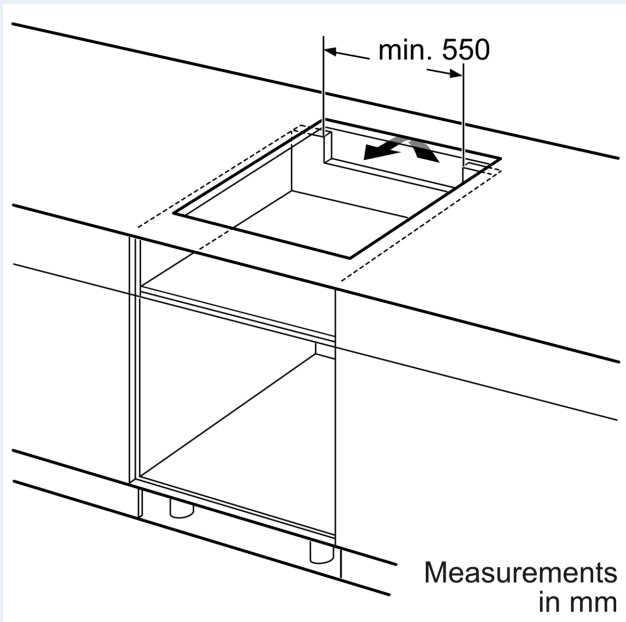


iQ700, induction hob, 60 cm,
Black,
EX675LXV1E



①
Ventilation gap must
be present

All measurements in mm



Measurements in mm