

iQ300, electric hob, 90 cm, Black, ET975FKB1Q



HZ32WA00	Wireless food thermometer
HZ390090	Wok Set consisting of 3 Items
HZ392900	Intermediate bottom
HZ394301	Connecting strip
HZ9FE280	Iron pan Ø 18 / 28 cm
HZ9SE030	Set of 2 pots and 1 pan

The modern glass ceramic cooktop for more cooking pleasure and less cleaning effort.

- ✓ Space for large roasting pans - extendable roasting zone.
- ✓ touchSlider control allows to control the temperature by entering it directly or by moving the slider with a single finger.
- ✓ The timer with switch-off function safely shuts off the cooking zone when the selected cooking time expires.
- ✓ The child safety lock safely prevents unintentional switch-on.
- ✓ For more energy efficient cooking - energy consumption display.

Product name/family: Cooking zone ceramic

Installation type: Built-in
 Type of heating: Electric hob
 Total number of positions that can be used at the same time: 4
 Min. required niche size for installation (HxWxD):45 x 880-880 x 500-500 mm
 Width of the appliance: 912 mm
 Dimensions: 45x912x520 mm
 Dimensions of the packed product (HxWxD): . 100 x 1130 x 620 mm
 Net weight: 13.2 kg
 Gross weight: 13.8 kg
 Residual heat indicator: Separate
 Location of control panel: Front
 Basic surface material: Ceramic
 Color of surface: Black, Alu, brushed
 Sealed Burners: No
 Power of heating element (kW): 0.8 ; 2 kW
 Power of 3rd heating element (kW): 2 kW
 Connection rating: 7000 W
 Voltage: 220-240 V
 Frequency: 60; 50 Hz
 Type of heating: Electric hob
 Plug type:no plug
 Appliance Dimensions (h x w x d) (in): x x
 Dimensions of the packed product: 3.93 x 24.40 x 44.48
 Net weight: 29.000 lbs
 Gross weight: 30.000 lbs
 Total number of positions that can be used at the same time: 4
 Min. required niche size for installation (HxWxD):45 x 880-880 x 500-500 mm
 Dimensions: 45x912x520 mm
 Dimensions of the packed product (HxWxD): . 100 x 1130 x 620 mm
 Net weight: 13.2 kg
 Gross weight: 13.8 kg



iQ300, electric hob, 90 cm, Black, ET975FKB1Q

Design:

- faceted design (with front facette and side profiles)
- HighSpeed ceramic glass

Comfort:

- 4 HighSpeed cooking zones, including:
- 2 dual zones
- 1 Ring zone double + roaster
- Direct Select
- Electronic regulation 17 power levels
- Electronic display
- Timer with switch-off function for all zones
- countDown-fuction
- Wipe protection function
- yes

Environment+safety:

- Main switch
- Power on indicator light
- Residual heat indicator: digital 2-step
- Childproof lock
- Safety switch-off
- Individual tunable energy consumption display

Quickness:

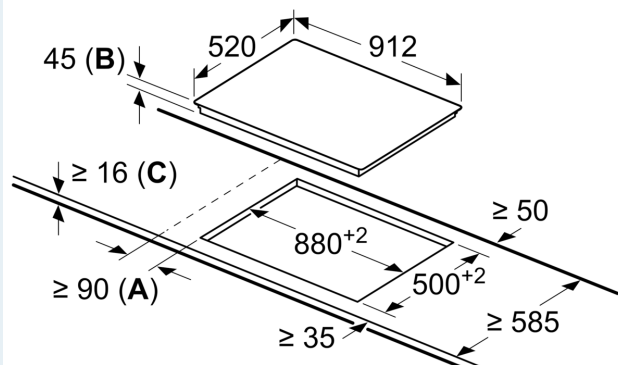
- Quick start function

Measurements

- Min. worktop thickness: 16 mm

iQ300, electric hob, 90 cm, Black, ET975FKB1Q

measurements in mm



- A:** Minimum distance from the hob cut-out to the wall.
- B:** Recessed depth
- C:** With fitted oven underneath min. 20, possibly more; see space requirements for the oven.