

iQ300, electric hob, 60 cm, Black, ET651NF17Q



HZ32WA00	Wireless food thermometer
HZ390090	Wok Set consisting of 3 Items
HZ9SE030	Set of 2 pots and 1 pan

The modern glass ceramic cooktop for more cooking pleasure and less cleaning effort.

- ✓ Space for large pots and pans thanks to the 21 cm two-ring cooking zone.
- ✓ touchSlider control allows to control the temperature by entering it directly or by moving the slider with a single finger.
- ✓ The child safety lock safely prevents unintentional switch-on.

Technical specifications

Product name/family: Cooking zone ceramic
Installation type: Built-in
Type of heating: Electric hob
Total number of positions that can be used at the same time:	4
Min. required niche size for installation (HxWxD):45 x 560-560 x 490-500 mm
Width of the appliance: 592 mm
Dimensions: 45x592x522 mm
Dimensions of the packed product (HxWxD):	... 100 x 750 x 590 mm
Net weight: 7.8 kg
Gross weight: 8.5 kg
Residual heat indicator: Separate
Location of control panel: Front
Basic surface material: Ceramic
Color of surface: Black
Length electrical supply cord: 100.0 cm
Sealed Burners: No
Power of heating element (kW): 1.2 kW
Power of 3rd heating element (kW): 0.75 ; 2.2 kW
Power of 5th heating element (kW): 1.2 kW
Connection rating: 5000 W
Voltage: 220-240 V
Frequency: 50; 60 Hz
Type of heating: Electric hob
Plug type:no plug
Appliance Dimensions (h x w x d) (in): X X
Dimensions of the packed product: 3.93 x 23.22 x 29.52
Net weight: 17.000 lbs
Gross weight: 19.000 lbs
Total number of positions that can be used at the same time:	4
Length electrical supply cord: 100.0 cm
Min. required niche size for installation (HxWxD):45 x 560-560 x 490-500 mm
Dimensions: 45x592x522 mm
Dimensions of the packed product (HxWxD):	... 100 x 750 x 590 mm
Net weight: 7.8 kg
Gross weight: 8.5 kg



iQ300, electric hob, 60 cm, Black, ET651NF17Q

Design:

- U-Facette design
- HighSpeed ceramic glass

Comfort:

- 4 HighSpeed cooking zones, including:
 - 1 dual zone
- Direct Select
- Electronic regulation 17 power levels
- Electronic display
- Wipe protection function

Environment+safety:

- Residual heat indicator: digital 2-step
- Childproof lock
- Safety switch-off
- Power on indicator light
- Main switch
- Total power limited to 5000 W by powermanagement function

Quickness:

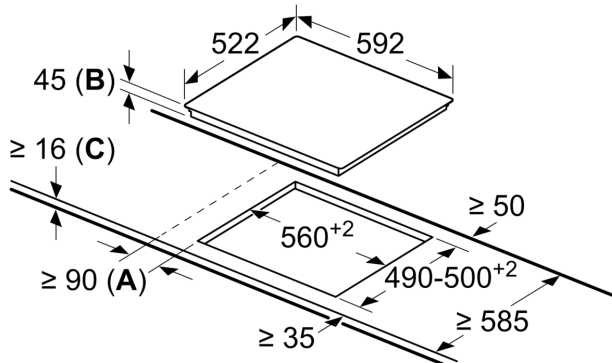
- Quick start function

Measurements

- Min. worktop thickness: 16 mm

iQ300, electric hob, 60 cm, Black, ET651NF17Q

measurements in mm



A: Minimum distance from the hob cut-out to the wall.

B: Recessed depth

C: With fitted oven underneath min. 20, possibly more; see space requirements for the oven.