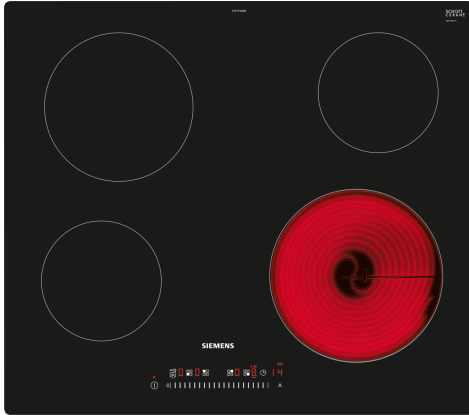


iQ100, electric hob, 60 cm, Black, ET611FE17Q



HZ32WA00	Wireless food thermometer
HZ9FE280	Iron pan Ø 18 / 28 cm
HZ9SE030	Set of 2 pots and 1 pan

The glass-ceramic radiant hob: makes cooking and cleaning especially easy.

- ✓ touchSlider control allows to control the temperature by entering it directly or by moving the slider with a single finger.
- ✓ The timer with switch-off function safely shuts off the cooking zone when the selected cooking time expires.
- ✓ For more energy efficient cooking - energy consumption display.
- ✓ The child safety lock safely prevents unintentional switch-on.

Technical specifications

Product name/family: Cooking zone ceramic
 Installation type: Built-in
 Type of heating: Electric hob
 Total number of positions that can be used at the same time: 4
 Min. required niche size for installation (HxWxD):45 x 560-560 x 490-500 mm
 Width of the appliance: 592 mm
 Dimensions: 45 x 592 x 522 mm
 Dimensions of the packed product (HxWxD): ... 100 x 750 x 590 mm
 Net weight: 7.8 kg
 Gross weight: 8.5 kg
 Residual heat indicator: Separate
 Location of control panel: Front
 Basic surface material: Ceramic
 Color of surface: Black
 Length electrical supply cord: 100.0 cm
 Sealed Burners: No
 Power of heating element (kW): 1.2 kW
 Power of 3rd heating element (kW): 2 kW
 Power of 5th heating element (kW): 1.2 kW
 Connection rating: 2900 W
 Voltage: 220-240 V
 Frequency: 50; 60 Hz
 Type of heating: Electric hob
 Plug type:no plug
 Appliance Dimensions (h x w x d) (in): x x
 Dimensions of the packed product: 3.93 x 23.22 x 29.52
 Net weight: 17.000 lbs
 Gross weight: 19.000 lbs
 Total number of positions that can be used at the same time: 4
 Length electrical supply cord: 100.0 cm
 Min. required niche size for installation (HxWxD):45 x 560-560 x 490-500 mm
 Dimensions: 45 x 592 x 522 mm
 Dimensions of the packed product (HxWxD): ... 100 x 750 x 590 mm
 Net weight: 7.8 kg
 Gross weight: 8.5 kg



iQ100, electric hob, 60 cm, Black, ET611FE17Q

Design:

- Frameless design
- HighSpeed ceramic glass

Comfort:

- 4 HighSpeed cooking zones
- Direct Select
- Electronic regulation 17 power levels
- Electronic display
- Timer with switch-off function for all zones
- countDown-fuction
- Wipe protection function

Environment+safety:

- Residual heat indicator: digital 2-step
- Childproof lock
- Safety switch-off
- Power on indicator light
- Main switch
- Individual tunable energy consumption display
- Total power limited to 2900 W by powermanagement function

Quickness:

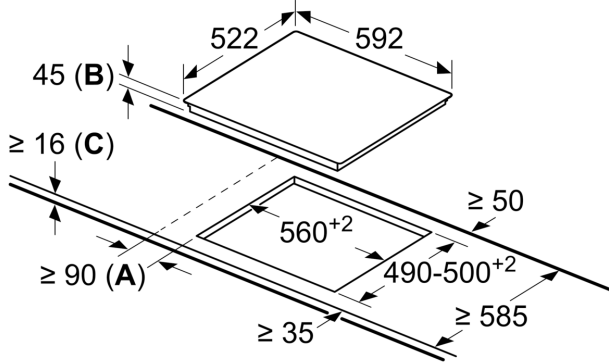
- Quick start function

Measurements

- Min. worktop thickness: 16 mm

iQ100, electric hob, 60 cm, Black, ET611FE17Q

measurements in mm



- A:** Minimum distance from the hob cut-out to the wall.
- B:** Recessed depth
- C:** With fitted oven underneath min. 20, possibly more; see space requirements for the oven.