

Series 2, telescopic cooker hood, 90 cm, Silver metallic DFT93CA50M



DWZ9IX1G9 Wall bracket

The telescopic cooker hood: practically disappears into your upper cabinet, giving you a sleek kitchen front.

- **3-Speed Power Level Options To Suit Your Cooking Style And Recipes**
- **Slide Switch Control**

Typology: Pull-out
 Length electrical supply cord: 110.0 cm
 Min. required niche size for installation (HxWxD): 135mm x 898.0mm x 264mm mm
 Net weight:9.4 kg
 Type of control:mechanical
 Number of speed settings:3
 Max. air extraction: 305 m³/h
 Max. air recirculation: 240 m³/h
 Number of lights: 2
 Noise level:67 dB(A) re 1 pW
 Diameter of air outlet: 150 mm
 Grease filter material:Washable aluminium
 Odour filter: No
 Operating Mode: Air extraction only
 Optional accessories:DWZ9IX1G9
 Total power of the lamps: 8 W
 Grease filter type:Kassette
 Connection rating: 153 W
 Voltage: 220-240 V
 Frequency: 50 Hz
 Plug type: GB plug
 Installation typology: Built-in
 Material body: Lacquered
 Plug type: GB plug
 Dimensions of the product, with chimney (if exists) (in):x x
 Dimensions of the packed product: 14.56 x 10.03 x 37.67
 Net weight:21.000 lbs
 Gross weight: 23.000 lbs
 Motor location: Integrated motor in hood body
 No-return airflow flap: No
 Length electrical supply cord: 110.0 cm
 Dimensions of the product, with chimney (if exists):175 x 898.0 x 300.0 mm
 Dimensions of the packed product (HxWxD): 370 x 255 x 957 mm
 Net weight:9.4 kg
 Gross weight: 10.5 kg



Series 2, telescopic cooker hood, 90 cm, Silver metallic DFT93CA50M

The telescopic cooker hood: practically disappears into your upper cabinet, giving you a sleek kitchen front.

Variant:

Design:

- Pull-out vapour with glass

Comfort:

- Suitable for ducted or re-circulated extraction
- 3 speeds control
- Single motor
- 2 X 4 W LED Illumination
- Metal grease filter, dishwasher safe

Environment and Safety:

- Energy Efficiency Class: D*
- Average Energy Consumption: 88.6 kWh/year*
- Lighting Efficiency Class: D*
- Grease Filtering Efficiency Class: C*
- Handle strip white

Technical information:

- Ducted extraction rate according to DIN/EN 61591 max. 305 m³/h
- Noise level according to EN 60704-3 und EN 60704-2-13 at max. normal use exhaust air: 67 dB(A) re 1 pW (53 dB(A) re 20 µPa sound pressure)
- Noise min./max. Normal Level: 53/67 dB*
- Power rating: 153 W
- Light Intensity: 100 lux
- Colour Temperature: 3000 K

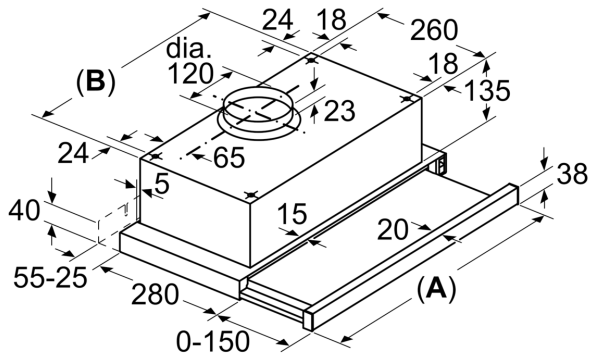
Measures:

- Dimensions exhaust air (HxWxD): 175-175 x 898 x 300 mm
- Dimensions recirculating (HxWxD): 175-175 x 898 x 300 mm
- Diameter pipe Ø 150 mm (Ø 150 mm enclosed)

* In accordance with the EU-Regulation No 65/2014

**Series 2, telescopic cooker hood, 90 cm, Silver metallic
DFT93CA50M**

measurements in mm



Hood Type	A	B	Hood Type	A	B
450	448	348	700	698	598
500	498	398	800	798	698
550	548	448	900	898	798
600	598	498			