

**Series 2, built-in microwave, 59 x 38 cm, Stainless steel
BEL653MS3M**



Included accessories

1 x grid

**The built-in microwave for the 38 cm niche:
use it for extra fast thawing, heating and
perfect preparation of foods.**

- **LED display control, red:** easy-to-use thanks to the time functions.
- **AutoPilot 8:** every dish is a perfect success thanks to 8 pre-set automatic programmes.
- **QuickStart:** heat up your food with just a touch of one button.
- **LED lighting:** perfect illumination of foods with minimum energy consumption.
- **Favourite button:** save your preferred setting.

Technical Data

Type of micro-wave oven : MW only

Type of control : Electronic

Color / Material Front : Stainless steel

Dimensions : 382 x 595 x 375 mm

Cavity dimensions : 205.0 x 310 x 334.0 mm

Length electrical supply cord : 130.0 cm

Net weight : 13.6 kg

Gross weight : 16.6 kg

Maximum micro-wave power : 800 W

Number of Power Levels : 5

Turntable : Yes

Cavity material : lacquered

Door opening : Button

Clock : Yes

Included accessories : 1 x grid

Main colour of product : Stainless steel

Height of the appliance : 382 mm

Width of the appliance : 595 mm

Depth of the product : 375 mm

Maximum micro-wave power : 800 W

Connection Rating : 1270 W

Fuse protection : 10 A

Voltage : 220-230 V

Frequency : 50 Hz

Plug type : GB plug

Color / Material Front : Stainless steel

Required cutout/niche size for installation (in) : x x

Dimensions of the packed product : 17.51 x 17.36 x 26.77

Net weight : 30.000 lbs

Gross weight : 37.000 lbs

Included accessories : 1 x grid



4 242005 290758

Series 2, built-in microwave, 59 x 38 cm, Stainless steel BEL653MS3M

**The built-in microwave for the 38 cm niche:
use it for extra fast thawing, heating and
perfect preparation of foods.**

Microwave and Heating System

- Max. Power: 800 W; 5 Microwave power settings: 90 W, 180 W, 360 W, 600 W, 800 W
- Grill and microwave power levels 90 W, 180 W, 360 W combinable
- Microwave and grill for separate use and in Kombination nutzbar
- Cavity volume: 25 l

Design:

- lacquered grey cavity

Cleaning:

- hydrolyse program

Comfort:

- User-friendly electronics: extremely easy and comfortable operation
- automatic programming, 8
- 4 defrost and 3 cooking programmes in microwave function
- Integral cooling fan
- LED
- electronic clock
- Rotary Control
- Open door button
- LED light
- Turn table 29 cm Glass
- side opening door, hinge left

Environment and Safety:

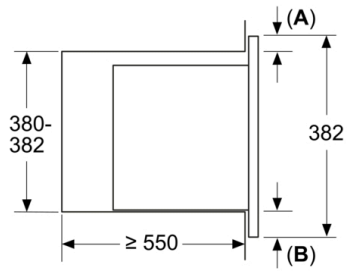
- Child lock
Safety switch door contact switch
- Length of mains cable: 130 cm
- Total connected load electric: 1.27 KW
- Nominal voltage: 220 - 230 V
- Can be built in a 60 cm wall cupboard (at least 30cm deep)

Dimensions:

- Appliance dimension (hwxwd): 382 mm x 595 mm x 375 mm
- Niche dimension (hwxwd): 380 mm - 382 mm x 560 mm - 568 mm x 550 mm
- "Please reference the built-in dimensions provided in the installation drawing"

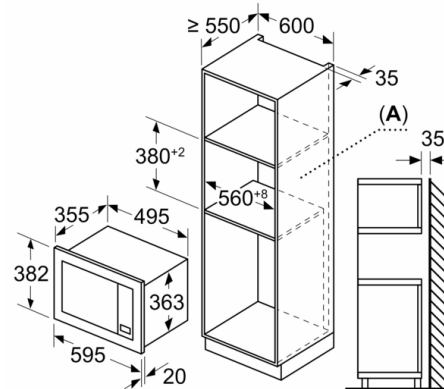
**Series 2, built-in microwave, 59 x 38 cm,
Stainless steel
BEL653MS3M**

measurements in mm
Installation of a 25 l microwave in a
high cupboard



A: Overhang at top: 1 mm
B: Overhang at bottom: 1 mm

measurements in mm



A: Back panel open