

**iQ500, built-in microwave, 59 x 38 cm, Stainless steel
BE555LMS0M**



1 x grid, 1 x Turntable	
HZ86D000	Steamer Cooker Accessory for Microwave

38 cm high built-in microwave for defrosting, reheating or preparation of dishes in the shortest possible time.

- ✓ cookControl8: automatic programs ensure best results.
- ✓ The touchControl allows the temperature to be controlled by entering it directly or by moving the slider with a single finger.
- ✓ Wattage: time-saving and powerful up to 900 watts.
- ✓ Ideal for elevated installation - side-opening hinged door.
- ✓ Foods are evenly browned by the powerful grill.

Additional function:	Grill function
Type of control:	Electronic
Dimensions:	382x594x388 mm
Cavity dimensions:	208.0 x 328.0 x 369.0 mm
Length electrical supply cord:	130.0 cm
Net weight:	16.9 kg
Gross weight:	20.7 kg
Max. microwave power:	900 W
Number of Power Levels:	5
Turntable:	Yes
Cavity material:	Stainless steel
Door opening:	Button
Clock:	Yes
Included accessories:	1 x grid, 1 x Turntable
Height of the appliance:	382 mm
Width of the appliance:	594 mm
Depth:	388 mm
Max. microwave power:	900 W
Connection rating:	1450 W
Fuse protection:	10 A
Voltage:	230-240 V
Frequency:	50 Hz
Plug type:	GB plug
Required cutout/niche size for installation (in):	x
Dimensions of the packed product:	17.32 x 17.71 x 25.98
Net weight:	37.000 lbs
Gross weight:	46.000 lbs



iQ500, built-in microwave, 59 x 38 cm, Stainless steel BE555LMS0M

Microwave and Heating System

- Max. Power: 900 W; 5 Microwave power settings: 90 W, 180 W, 360 W, 600 W, 900 W
- Grill 1200 W
- Grill and microwave power levels 90 W, 180 W, 360 W combinable
- Microwave and grill for separate use and in
- Kombination nutzbar
- Cavity volume: 25 l

Design:

- stainless steel cavity

Comfort:

- LED
- electronic clock
- User-friendly electronics: extremely
- easy and comfortable operation
- automatic programming, 8
- 4 defrost and 3 cooking programmes in microwave function, 1 programmes for combination function
- memory function (1 setting)
- LED light
- Turn table 31.5 cm Glass
- side opening door, hinge left

Accessory:

- 1 x Turntable, 1 x grid

Environment and Safety:

- Automatic switch off
- door contact switch
- Integral cooling fan

Technical Info:

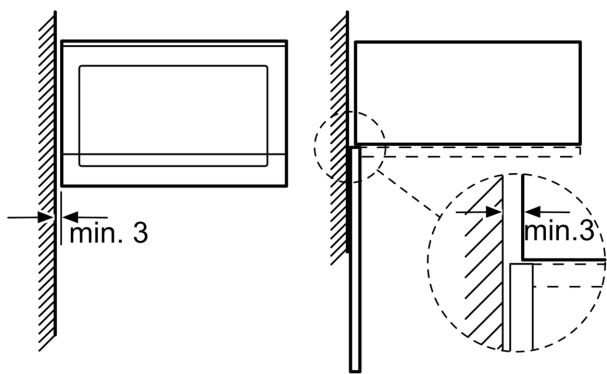
- Length of mains cable: 130 cm
- Total connected load electric: 1.45 KW
- Nominal voltage: 230 - 240 V
- Can be built in a 60 cm wall cupboard (at least 30cm deep)

Dimensions:

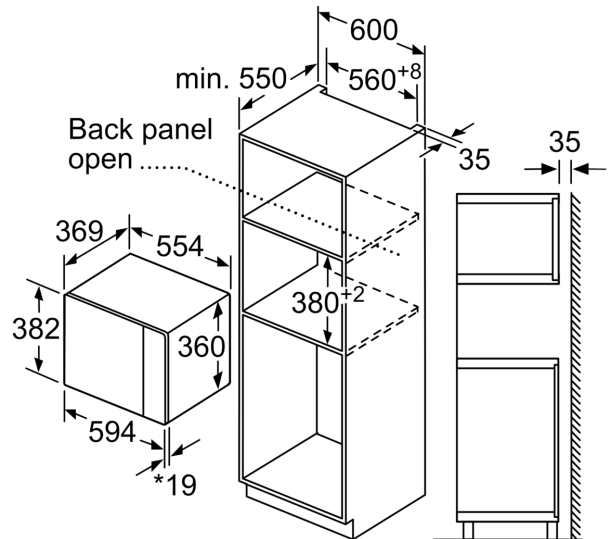
- Appliance dimension (hxwx): 382 mm x 594 mm x 388 mm
- Niche dimension (hxwx): 380 mm - 382 mm x 560 mm - 568 mm x 550 mm
- "Please reference the built-in dimensions provided in the installation drawing"

**iQ500, built-in microwave, 59 x 38 cm, Stainless steel
BE555LMS0M**

Microwave,
corner installation

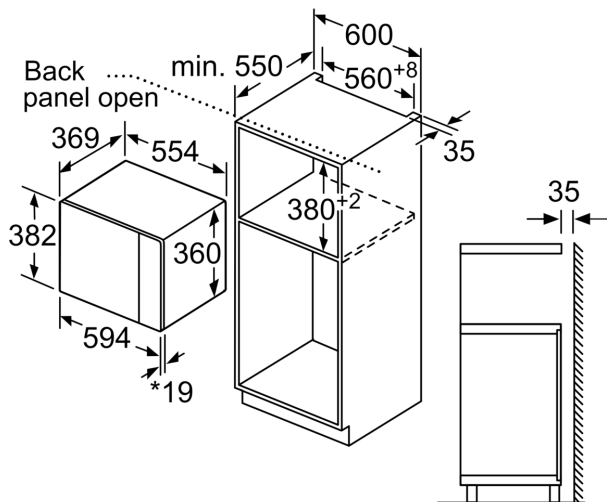


Measurements in mm



* 20 mm for
metal fascia

measurements in mm



* 20 mm for metal fascia

measurements in mm

