

VCIN42GWS

42-INCH CUSTOM INSERT

PROFESSIONAL® SERIES



FEATURES & BENEFITS

- Revel in creative freedom with Professional® Series custom inserts that can blend in with cabinetry or make a bold statement
- ★ Equipped with the Thermador Connected Experience by Home Connect®
- Powerfully Quiet® system accepts integral, inline, and remote blowers
- Beautiful illumination with multi-level, vivid LED lights
- Features automatic mode, delay shut-off, and check filter light

ACCESSORIES (OPTIONAL)

25 ft. Blower Connector Cable - EXTNCB25W

For use with the following inline and remote blowers: VTR2FZ, VT12FZ

Roofplate

RFPLT1000P - For use with remote blower VTR2FZ

VCIN Trim Notes

NOTE: VCIN_GWS series custom insert models include hood trim pieces to complete the installation.

Remote Control Panel

REMC PW - Ability to vertically install on cabinetry or wall to control hood in a convenient location



GENERAL PROPERTIES

Features

Multi-Level LED Lights with Fading Transitions, Automatic Mode, Check Filter Reminder Light, Delay Shut-Off

| | |
|-------------------------------|--------------------------------|
| Operating Mode | Ducted |
| Maximum CFM | Blower Sold Separately |
| Number of Speed Settings | 4-Stage |
| Number of Lights | 2 |
| Bulb Type | LED |
| Light Lumens | 100 – 150 |
| Light Color | 3500 – 4000 K |
| Total Power of the Lamps | 2.4 W |
| Damper Included | Yes |
| Grease Filter Material | Stainless Steel |
| Grease Filter Type | Commercial Style Baffle Filter |
| Home Connect® (Wi-Fi Enabled) | Yes |

TECHNICAL DETAILS

| | |
|-----------|---------------------|
| Watts | See Chart on Page 3 |
| Current | See Chart on Page 3 |
| Volts | 120 V |
| Frequency | 60 Hz |
| Plug Type | Fixed Connection |

DIMENSIONS & WEIGHT

| | |
|---|---------------------------|
| Overall Appliance Dimensions (Width of Canopy Included) (HxWxD) | 12 13/16" x 39 3/4" x 22" |
| Minimum Distance Above Gas / Electric Cooking Surface | 30" Electric / 30" Gas |
| Diameter of Air Duct Top | 10" |
| Net Weight | 77 lbs |

BLOWER OPTIONS

| | |
|--|--------|
| Remote Blowers (Mounted to Roof or External Wall) | VTR2FZ |
| Inline Blowers (Mounted Between Kitchen and External Wall) | VT12FZ |
| Integrated Blower (Mounted in Hood) | VTN2FZ |

WARRANTY

| | |
|----------------------------------|--------|
| Limited Warranty Parts and Labor | 2 Year |
|----------------------------------|--------|

VCIN42GWS

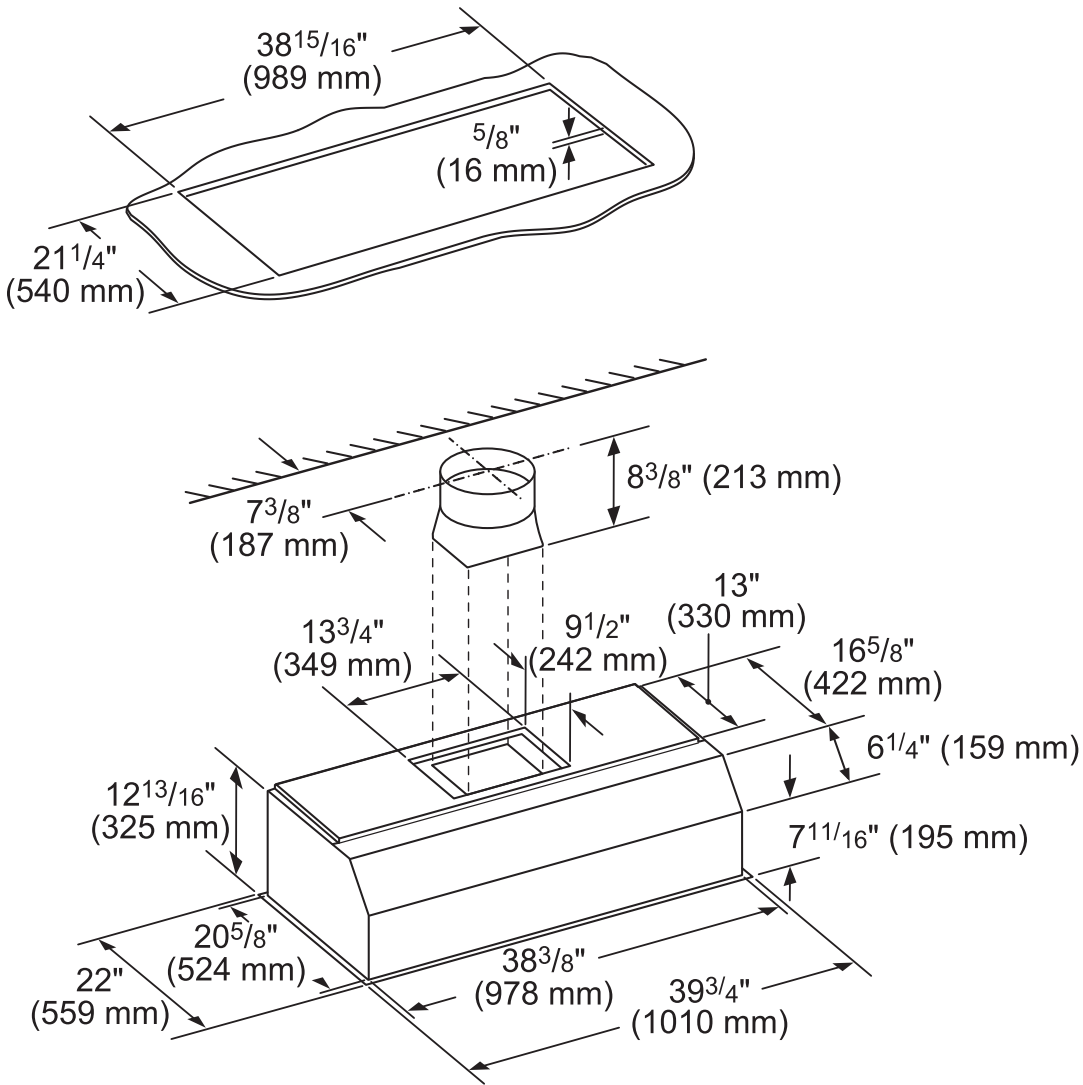
42-INCH CUSTOM INSERT

PROFESSIONAL® SERIES



HOOD DIMENSIONS

NOTE: VCIN Custom Insert models include hood trim pieces.



measurements in inches (mm)

VCIN42GWS
42-INCH CUSTOM INSERT
PROFESSIONAL® SERIES

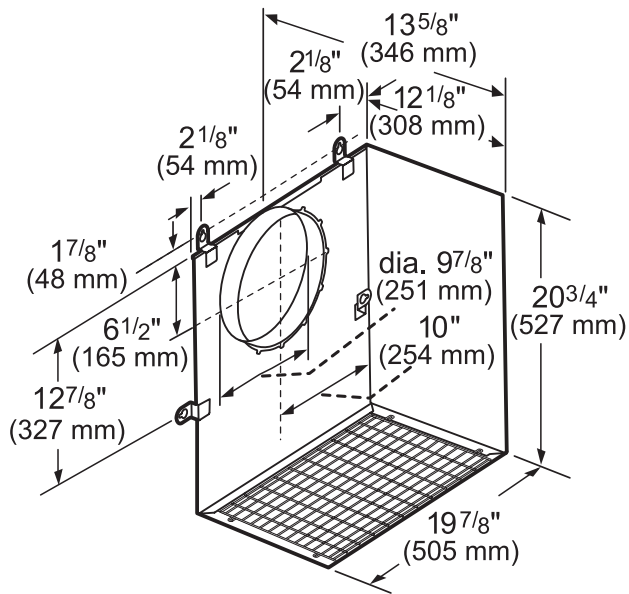


ELECTRIC LOAD (120V, 60HZ)

| | | Remote Blower | Inline Blower | Integrated Blower |
|-----------|-------|---------------|---------------|-------------------|
| | | VTR2FZ | VTI2FZ | VTN2FZ |
| VCIN42GWS | Amps | 10.3 | 10.3 | 8.7 |
| | Watts | 1,236 | 1,236 | 1,140 |

REMOTE BLOWERS (MOUNTED TO ROOF OR EXTERNAL WALL)

VTR2FZ



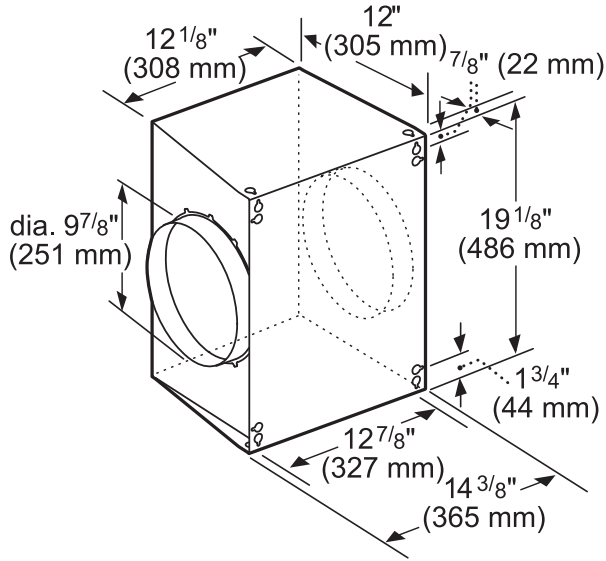
measurements in inches and mm

VCIN42GWS
42-INCH CUSTOM INSERT
 PROFESSIONAL® SERIES



INLINE BLOWERS (MOUNTED BETWEEN KITCHEN AND EXTERNAL WALL)

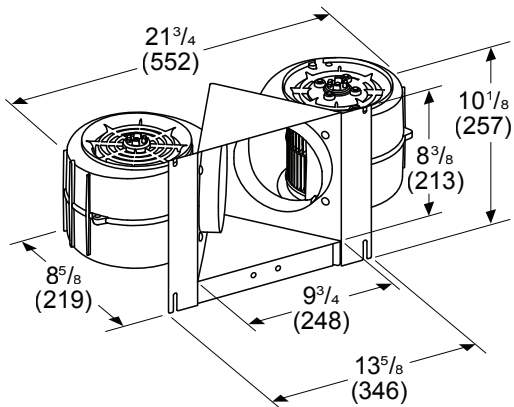
VTI2FZ



measurements in inches and mm

INTEGRATED BLOWERS (MOUNTED IN HOOD)

VTN2FZ



Measurements in inches (mm)

HVI PERFORMANCE VALUES

| VCIN42GWS WITH BLOWER VTN2FZ | | | | | | | | |
|------------------------------|---------------------------------|---------------|------------|---------------|------------|---------------|------------|---------------|
| Exhaust | Pressure (in. H ₂ O) | | Power (W) | | CFM | | Sones | |
| | High Speed | Working Speed | High Speed | Working Speed | High Speed | Working Speed | High Speed | Working Speed |
| Vertical | 0.1 | 0.012 | 7.04 | 3.26 | 960 | 370 | 14.0 | 3.0 |

VCIN42GWS

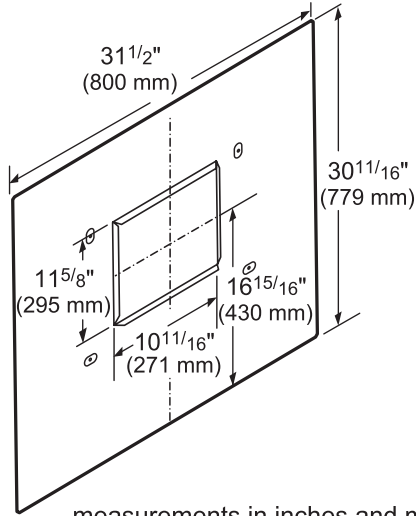
42-INCH CUSTOM INSERT

PROFESSIONAL® SERIES



REMOTE BLOWER ACCESSORIES

ROOFPLATE-RFPLT1000P



EXTNCB25W

For use with the following Inline and Remote Blowers: VTR2FZ, VT12FZ

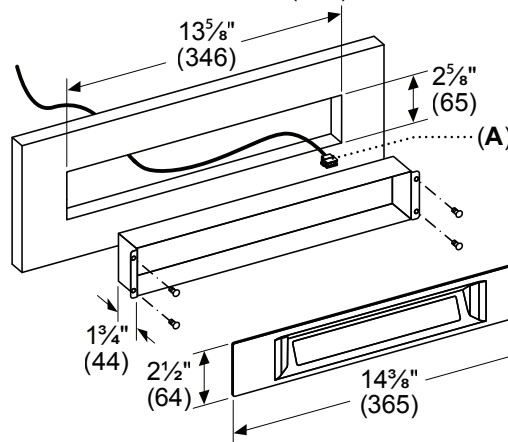
OPTIONAL ACCESSORIES

REMOTE CONTROL PANEL REMCPW



Convenience at your fingertips: The remote control accessory offers the freedom to extend your hood controls to a more reachable spot

measurements in inches (mm)



A: DBus Cable length: 30 feet (9180 mm)

These warranties give you specific legal rights and you may have other rights that vary from state to state. Limited warranty from date of delivery. For complete warranty details, refer to your Use & Care manual, or ask your dealer.

Specifications are for planning purposes only. Refer to installation instructions and consult your countertop supplier prior to making counter opening. Consult with a heating and ventilation engineer for your specific ventilation requirements. For the most detailed information, refer to installation instructions accompanying product or write to Thermador indicating the model number. Specifications are correct at time of printing. Thermador reserves the right to change product specifications or design without notice. Some models are certified for use in Canada. Thermador is not responsible for products that are transported from the U.S. for use in Canada.