

# PODS301W

## 30-INCH STEAM AND CONVECTION SINGLE BUILT-IN OVEN

PROFESSIONAL SERIES



### FEATURES & BENEFITS

- ★ - Large Steam and Convection cavity at 2.8 cu. ft.
- Designed for flexibility—standard or flush installation into kitchen cabinets
- Steam and Convection Cooking provides unrivaled taste and quality—food stays moist on the inside and is perfect on the outside
- Steam and Convection Oven offers passionate cooks more cooking solutions—Broil, Steam, True Convection, Steam and Convection
- Specially crafted gray glass on stainless steel for a luxurious look and finish



### GENERAL PROPERTIES

#### Heating Modes

(17) Bake, Broil, Roast, Convection Bake, Convection Broil, Convection Roast, Proof, Warm, Pizza, True Convection, Dehydrate, Speed Convection, Slow Roast, Steam, Steam Convection, Defrost, Reheat, Steam Programs

Cleaning Type	Easy Clean / Ecolytic Clean
Telescopic Rack(s)	3
Illumination Type	LED
Interior Lights	3
Home Connect® (Wi-Fi Enabled)	Yes

### OVEN PERFORMANCE

Convection Element	2,300 W
Bake Element	1,420 W
Broiler Element	3,050 W

### TECHNICAL DETAILS

Watts	4,100 W
Circuit Breaker	20 A
Volts	240 / 208 V
Frequency	60 Hz
Plug Type	Fixed Connection, No Plug
Conduit	50" 3-Wire
Energy Source	Electric
Installation Type	Non-Plumbed

### DIMENSIONS & WEIGHT

Oven Cavity Size	2.8 cu. ft.
Overall Appliance Dimensions (HxWxD)	25 13/16" x 29 3/4" x 23 7/16"
Dimensions with Storage Drawer SDS30WC	29" x 29 3/4" x 24 1/2"
Trim Overlaps (Top – Sides – Bottom)	3/8" to 1 5/16" – 9/16" – 0"
Required Cutout Size (HxWxD) – Standard Installation	24 1/2" – 25 7/16" x 28 1/2" x 23 1/2"
Standard Installation with Storage Drawer SDS30WC	27 5/8" – 28 5/8" x 28 1/2" x 23 1/2"
Required Cutout Size (HxWxD) – Flush Installation	25 15/16" x 30" x 24 1/2"
Flush Installation with Storage Drawer SDS30WC	29 1/8" x 30" x 24 1/2"
Overall Oven Interior Dimensions (HxWxD)	14 1/2" x 18 7/8" x 17 3/8"
Usable Oven Interior Dimensions (HxWxD)	11 1/2" x 15 1/2" x 15 5/8"
Net Weight	173 lbs

### ACCESSORIES (INCLUDED)

3 Telescopic Racks, Multi-point Meat Probe, Broil Pan, 1 Large Pan, 1 Small Pan, 1 Large Perforated Pan, 1 Small Perforated Pan

### WARRANTY

Limited Warranty Parts and Labor	2 Year
----------------------------------	--------

### ★ THERMADOR® EXCLUSIVE

†To be fully ADA compliant, these units must be installed according to ADA guidelines. Please check current ADA requirements for guidance on installation.

**PODS301W**  
**30-INCH STEAM AND CONVECTION SINGLE**  
**BUILT-IN OVEN**  
 PROFESSIONAL SERIES



**ACCESSORIES (OPTIONAL)**



00577552  
 Cooking Pan, Half Size,  
 1 5/8" Deep



00577553  
 Perforated Cooking Pan, Half Size,  
 1 5/8" Deep



11027159  
 Cooking Pan, Full Size,  
 1 5/8" Deep



00577551  
 Perforated Cooking Pan,  
 Full Size, 1 5/8" Deep



00741839  
 Baking Tray, Full Size,  
 1 1/8" Deep



11014338  
 Universal Pan – Extra Large,  
 17 15/16" x 14 3/4" x 1 1/2" D



12022200  
 Multi-point Meat Probe



00777111  
 Wire Rack for Steam Oven,  
 17 15/16" x 14 3/4"



00623653  
 Sponge



00484628  
 Broiler Pan,  
 16 7/16" x 12 5/8" x 1 1/2" D



11024903  
 Lg (Max Broil) Broiler Pan,  
 18 5/16" x 14 3/4" x 1 5/8" D



11013689  
 Broiler Grill,  
 15 1/4" x 12 7/8"



11024904  
 Lg (Max Broil) Broiler Grill Set (2),  
 14 5/16" x 8 9/16"

# PODS301W

## 30-INCH STEAM AND CONVECTION SINGLE BUILT-IN OVEN

PROFESSIONAL SERIES



### 30-INCH STEAM AND CONVECTION SINGLE OVEN

**Steam Oven Wall Mount Installation**  
Steam Oven Bottom Hinge

measurements in inches (mm)

**Door Handle Depth\***  
Professional Series Handle

\*Protrusion of handle from door skin

**Single Steam Oven**  
Wall mount installation

measurements in inches (mm)

**Steam Oven Wall Mount Installation**  
Dimensions for Under-Counter Installation

measurements in inches (mm)

\* Includes 3/4" (19 mm) base plate.

\*\* For single ovens installed under a cabinet, the junction box should be located to the right or left of the unit within reach of the power cord.

**Flush installation Top view**

**Side view**

measurements in inches (mm)

# PODS301W

## 30-INCH STEAM AND CONVECTION SINGLE BUILT-IN OVEN

PROFESSIONAL SERIES



### INSTALLATION DETAILS

**SIDE-BY-SIDE INSTALLATION – TOP VIEW**

**Standard**

measurements in inches (mm)

**Flush**

measurements in inches (mm)

**IMPORTANT:** When installing an oven in combination, a minimum distance between the ovens is required. Refer to the oven installation manual for all other measurements.

Combination Type	A Left reveal cleat	B Right reveal cleat	C cut-out width	D cut-out width
Flush Bottom hinge	3/4" (19 mm)	3/4" (19 mm)	29 1/4" (743 mm)	29 1/4" (743 mm)
Flush Side Hinge (Left)	1 1/2" (38 mm)	N/A*	30" (762 mm)	N/A*
Flush Side Hinge (Right)	N/A*	1 1/2" (38 mm)	N/A*	30" (762 mm)

\*Installation not recommended

NOTE: Conventional ovens with a serial number beginning with "FD009" require accessory kit TWO30YS for Standard or Flush side-by-side installation with another oven or with any other approved product. This kit must be purchased separately and installed prior to installing the oven in the cabinetry. Refer to the Oven Installation Guide for additional information.

## THERMADOR SIDE-BY-SIDE BUILT-IN OVEN COMBINATION GUIDE

The following **OVENs** are approved to be installed side-by-side in combination and the installation has been certified by CSA. This guide is only effective with the use of the Thermador built-in oven side-by-side accessory kit TWO30YS. The built-in oven side-by-side accessory kit is required for approved installation.

The following **OVENs** and **DRAWERs** are approved by BSH Home Appliances Corporation to be installed in combination. These products, identified in the table below, may be installed in combination with other cooking units. The suitability of the combination has not been evaluated by CSA.

BUILT-IN OVENS	
Conventional Ovens*	Steam Ovens
ME301WS	MEDS301WS
MED301WS	PODS301WS
MED301LWS	MEDS301WS w/ SDS30WC
MED301RWS	PODS301WS w/ SDS30WC
PO301W	
POD301W	
POD301LW	
POD301RW	

BUILT-IN OVENS			
Conventional Ovens*	Steam Ovens	Microwave Ovens	Speed Ovens
ME301WS	MEDS301WS	MB30WS	MC30WS
MED301WS	PODS301WS	MB30WP	MC30WP
MED301LWS	MEDS301WS w/ SDS30WC	MB30WS w/ SD30WC	MC30WS w/ SD30WC
MED301RWS	PODS301WS w/ SDS30WC	MB30WP w/ SD30WC	MC30WP w/ SD30WC
PO301W		MB30WS w/ WD30WC	MC30WS w/ WD30WC
POD301W		MB30WP w/ WD30WC	MC30WP w/ WD30WC
POD301LW			
POD301RW			



\*Conventional ovens with a serial number beginning with "FD009" require accessory kit TWO30YS for side-by-side installation with another oven or in combination with any other approved product. All parts in the kit may not be required. Refer to the Oven Installation Guide for additional information.

# PODS301W

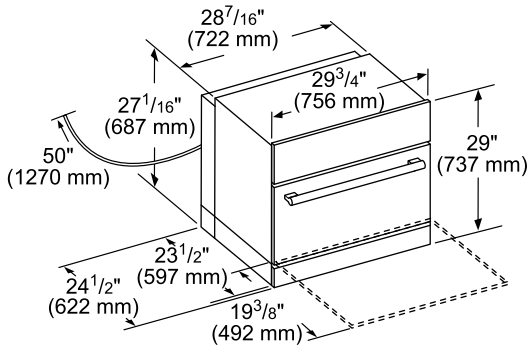
## 30-INCH STEAM AND CONVECTION SINGLE BUILT-IN OVEN

PROFESSIONAL SERIES



### 30-INCH STEAM AND CONVECTION SINGLE OVEN WITH STORAGE DRAWER SDS30WC

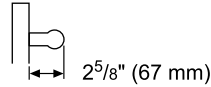
Steam Oven with Storage Drawer Wall Mount Installation



measurements in inches (mm)

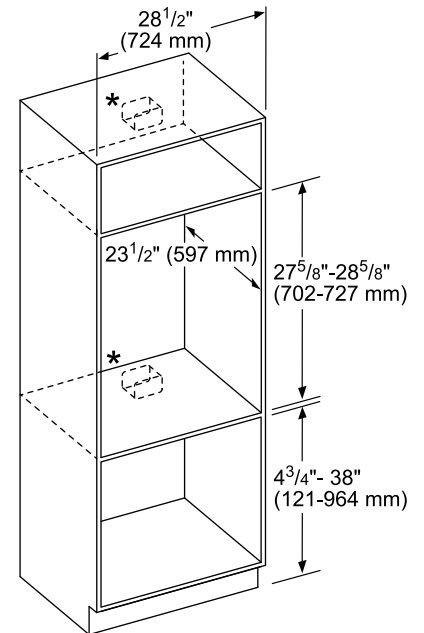
Door Handle Depth\*

Professional Series Handle



\*Protrusion of handle from door skin

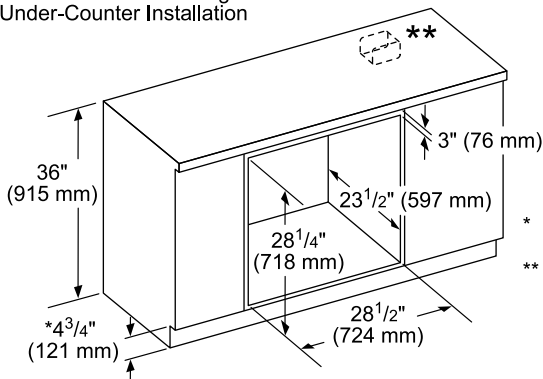
Steam Oven with Storage Drawer Wall Mount Installation



measurements in inches (mm)

\* For single ovens installed into a wall cabinet, the junction box may be located above, beneath, left or right of the unit within reach of the power cord.

Steam Oven with Storage Drawer Under-Counter Installation

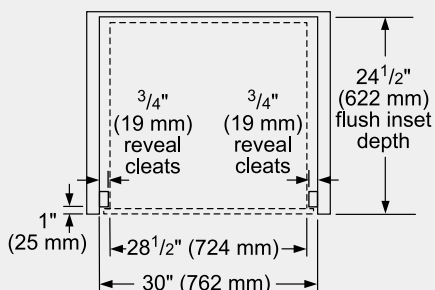


measurements in inches (mm)

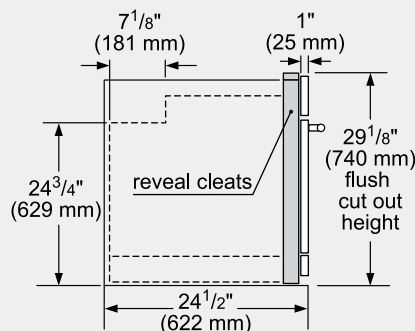
\* Includes 3/4" (19 mm) base plate.

\*\* For single ovens installed under a cabinet, the junction box should be located to the right or left of the unit within reach of the power cord.

Flush installation Top view



Steam Oven with Storage Drawer – Side View



measurements in inches (mm)

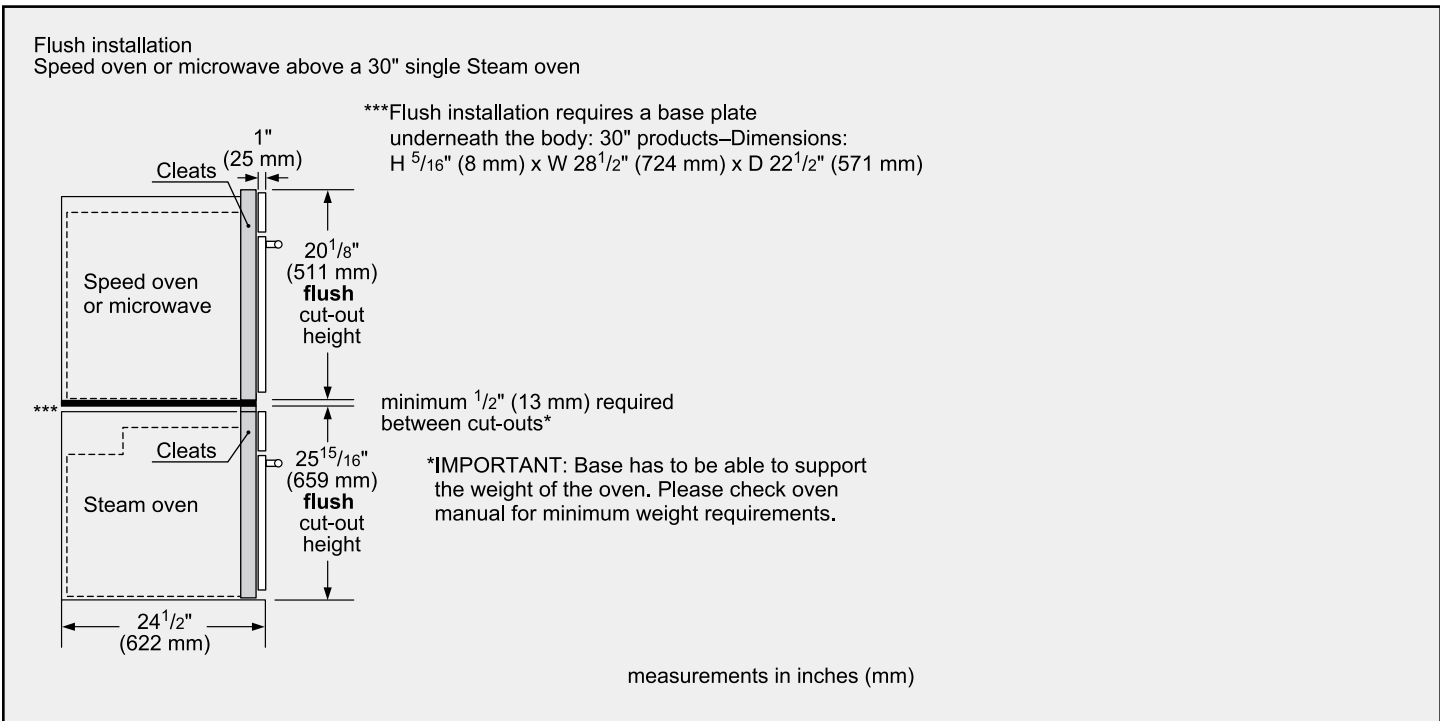
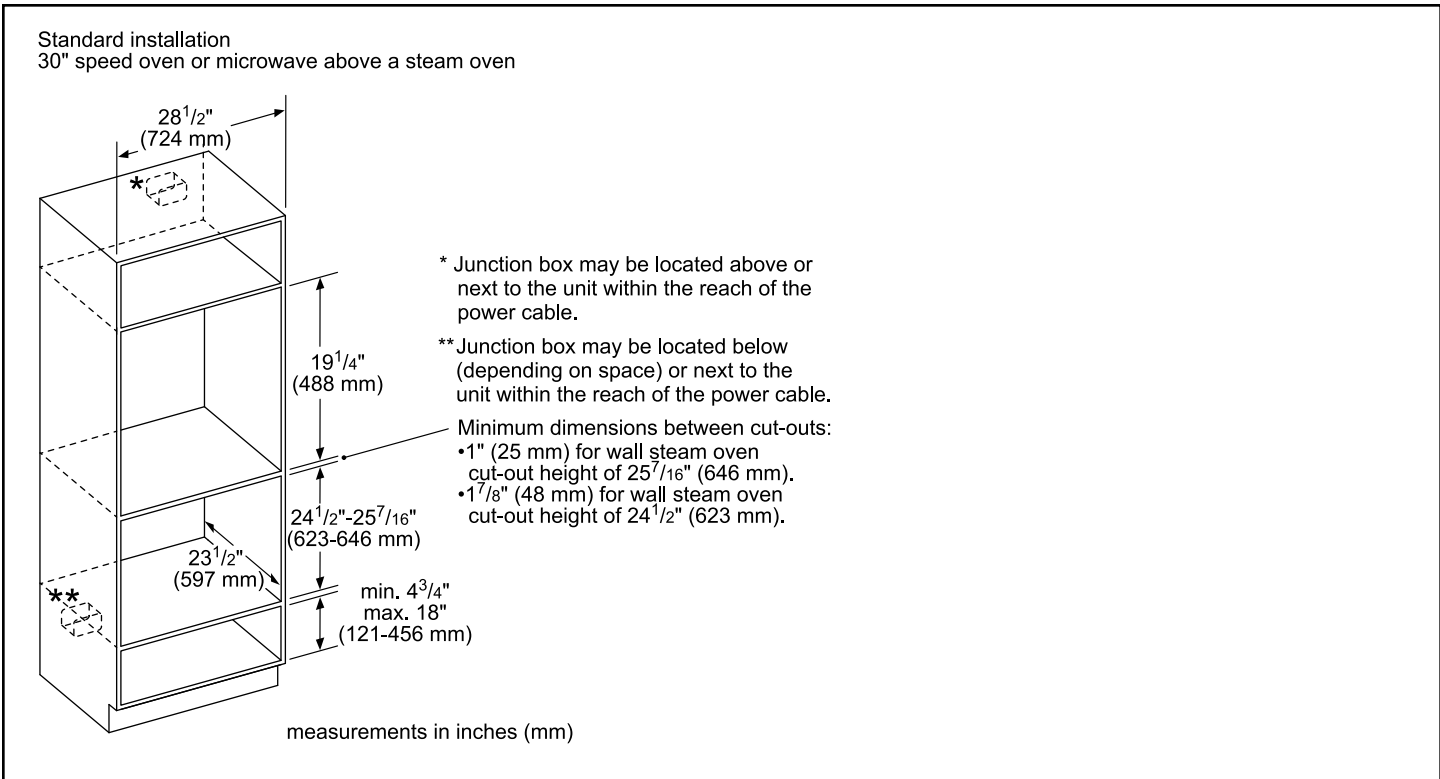
# PODS301W

## 30-INCH STEAM AND CONVECTION SINGLE BUILT-IN OVEN

PROFESSIONAL SERIES



### 30-INCH STEAM AND CONVECTION SINGLE OVEN UNDER SPEED OVEN OR MICROWAVE



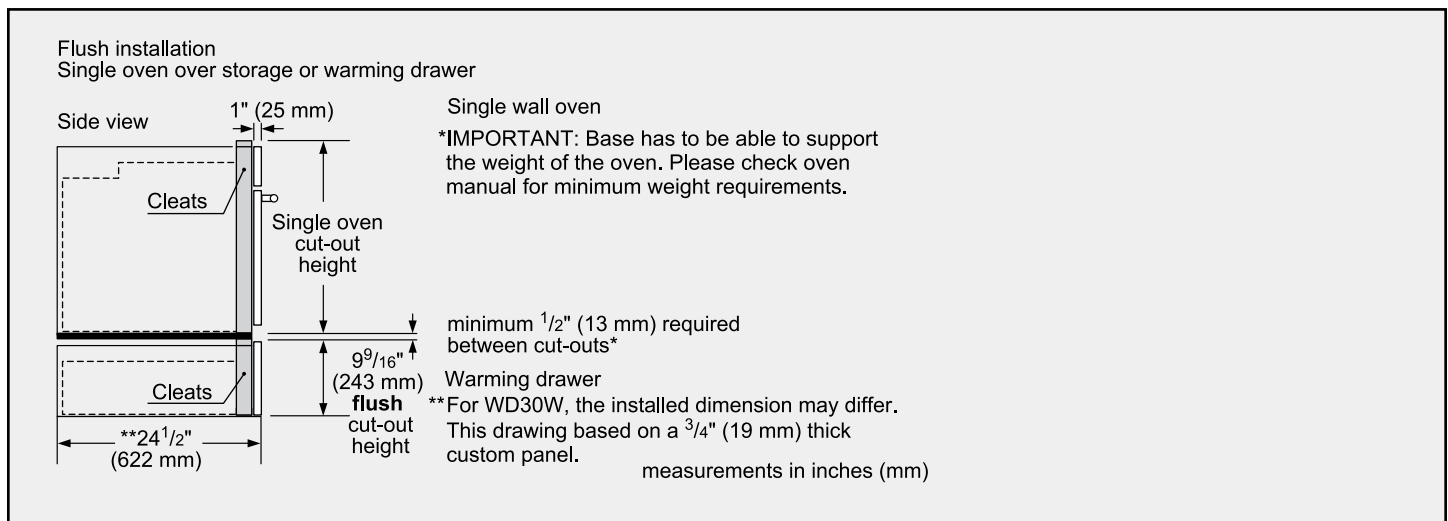
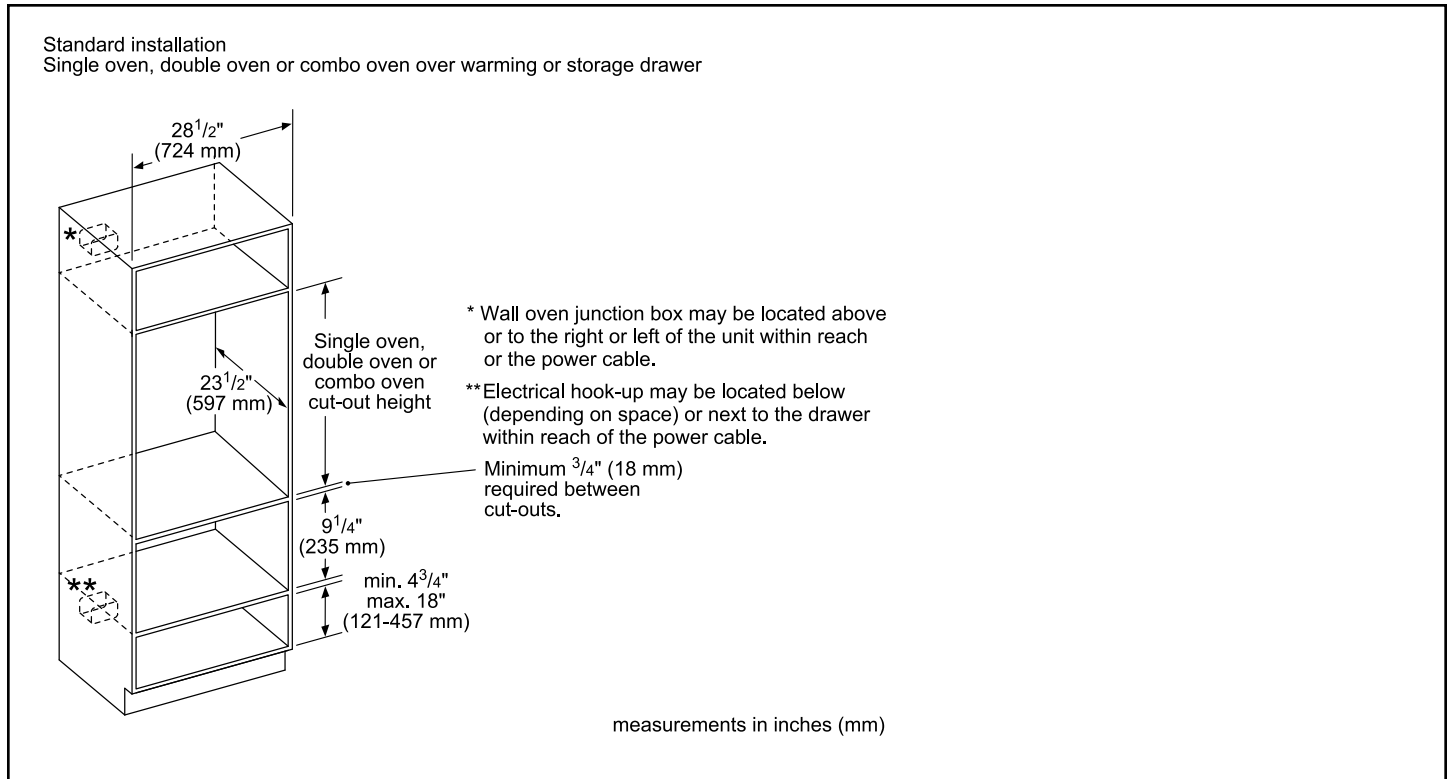
# PODS301W

## 30-INCH STEAM AND CONVECTION SINGLE BUILT-IN OVEN

PROFESSIONAL SERIES



### INSTALLATION DETAILS



These warranties give you specific legal rights and you may have other rights that vary from state to state. Limited warranty from date of delivery. For complete warranty details, refer to your Use & Care manual, or ask your dealer.

Specifications are for planning purposes only. Refer to installation instructions and consult your countertop supplier prior to making counter opening. Consult with a heating and ventilation engineer for your specific ventilation requirements. For the most detailed information, refer to installation instructions accompanying product or write to Thermador indicating the model number. Specifications are correct at time of printing. Thermador reserves the right to change product specifications or design without notice. Some models are certified for use in Canada. Thermador is not responsible for products that are transported from the U.S. for use in Canada.