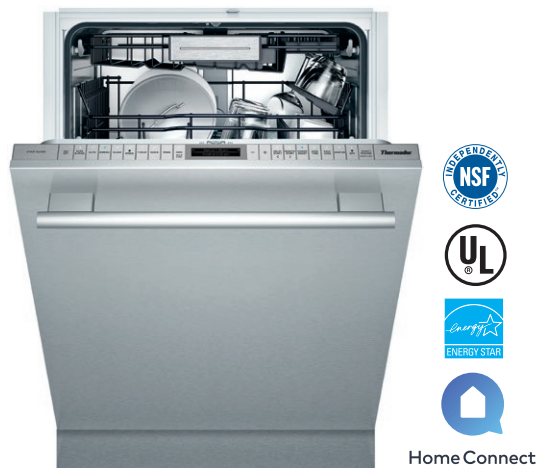


DWHD870WFM

STAR SAPPHIRE® 8-PROGRAM DISHWASHER

MASTERPIECE® SERIES HANDLE



Also Available In:

DWHD870WFP – Flat Stainless Steel Panel with Professional Series Handle

DWHD870WPR – Custom Panel

FEATURES & BENEFITS

- ★ - StarDry™ — No one dries better. Star Dry with Zeolite: the ultra-powerful program that dries dishes better so place settings, glassware, and even sturdy plastics and containers with hard-to-reach crevices are ready for use immediately after each cycle
- ★ - Star Speed® is a full wash cycle in just 20 minutes — industry's fastest hot water wash
- ★ - Star Glow light illuminates your dishwasher with 3 levels of Sapphire Blue and introducing 3 levels of sparkling white light
- ★ - Push to Open dishwasher opens with either a push or pull, so loading is easier, even when your hands are full
- ★ - Entertainer's Drawer (3rd Rack) provides the ultimate flexibility in cleaning your culinary kitchen tools
 - 18 Wine Glass Capacity — No need to clean your glassware in two cycles; wash them all at once so you can get back to your guests
 - Thermador Connected Experience by Home Connect brings exclusive dish features that keep you connected. Always.

ACCESSORIES (OPTIONAL)

| | |
|---|------------|
| Dishwasher Supply and Drainage Hose Extension 76 3/4" | SGZ1010UC |
| Dishwasher Accessory Kit | SMZ5000 |
| Fine Silverware Carafe | SMZ5002UC |
| Junction Box | SMZPCJB1UC |



Accessory Kit includes Extra-Tall-Item Sprinkler, Vase / Bottle Holder, 3 Plastic Item Clips and Small Item Basket



Fine Silverware Carafe

GENERAL PROPERTIES

| | |
|---------------------------------|-----------------------|
| Number Of Wash Cycles | 8 |
| Number Of Options | 7 |
| NSF®-Certified* Sanitize Option | Yes |
| dBA | 44 |
| Third Rack | Entertainer's Drawer |
| Rack Adjustability | Rackmatic 3-Stage |
| Tub Material | Stainless Steel |
| Control Type | Premium Touch Control |
| Concealed Water Heating Element | Yes |
| Leak Protection System | 24/7 AquaStop® |
| Water Softener | Yes |
| Five-Level Wash | Yes |
| Childlock | No |
| Home Connect (Wi-Fi Enabled) | Yes |

EFFICIENCY

| | |
|---------------------------------------|---------|
| Water Usage Per Cycle (g) | 3.5 g |
| Energy Efficiency Class | Tier 1 |
| ENERGY STAR® Certified | Yes |
| Total Annual Energy Consumption (kWh) | 269 kWh |
| Total Annual Water Consumption (g) | 623.5 g |

CAPACITY

| | |
|--------------------------|----|
| Number Of Place Settings | 16 |
|--------------------------|----|

TECHNICAL DETAILS

| | |
|---|---------------------------|
| Watts (W) | 1440 W |
| Current (A) | 12 A |
| Volts (V) | 120 V |
| Frequency (Hz) | 60 Hz |
| Power Cord Length (in) | 67" |
| Power Cord Install Length from Corner of Unit when Facing the Door (in)** | Left - 45" Right - 56" |
| Minimum Water Pressure (lb/sin) | 14 |
| Max. Temperature for Water Intake | 140° F |
| Length Inlet Hose (in) | N/A |
| Length Outlet Hose (in) | 79" |

DIMENSIONS & WEIGHT

| | |
|---|-----------------------------------|
| Overall Appliance Dimensions (HxWxD) (in) | 33 7/8" x 23 9/16" x 23 3/4" |
| Required Cutout Size (HxWxD) (in) | 33 7/8" Min. x 23 5/8" Min. x 24" |
| Adjustable Feet | Yes |
| Net Weight (lbs) | 108 lbs |

*Certification to NSF/ANSI Standard 184 for residential dishwashers

**September 2020 running production change to remove adhesive routing clips for power cord. These clips and the edge protector are now included in the dishwasher accessory kit #SMZEPCC1UC.

DWHD870WFM

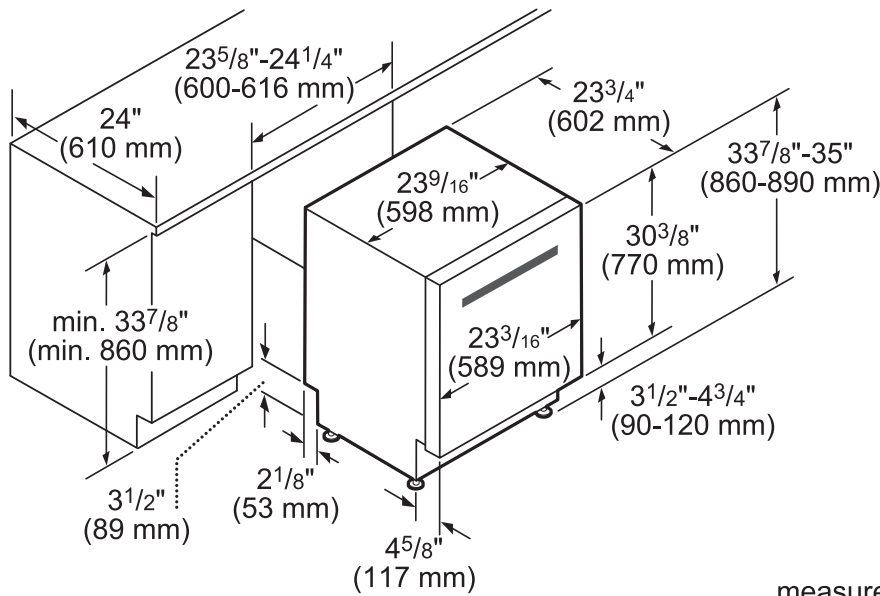
STAR SAPPHIRE® 8-PROGRAM DISHWASHER

MASTERPIECE® SERIES HANDLE



| WARRANTY | |
|---|-----------------|
| Limited Warranty, Entire Appliance, Parts and Labor | 2 Year |
| Limited Warranty for Microprocessor or Printed Circuit Board; Parts Only | 3rd to 5th Year |
| Limited Warranty for Racks (Does Not Include Rack Components); Parts Only | 3rd to 5th Year |
| Limited Warranty for Rust-through On Inner Tub Liner; Parts Only | Lifetime |

DISHWASHER & CUTOUT DIMENSIONS



measurements in inches and mm

These warranties give you specific legal rights and you may have other rights that vary from state to state. Full warranty and limited warranty from date of installation. For complete warranty details, refer to your Use & Care manual, or ask your dealer.

Specifications are for planning purposes only. Refer to installation instructions and consult your countertop supplier prior to making counter opening. Consult with a heating and ventilation engineer for your specific ventilation requirements. For the most detailed information, refer to installation instructions accompanying product or write to Thermador indicating the model number. Specifications are correct at time of printing. Thermador reserves the right to change product specifications or design without notice. Some models are certified for use in Canada. Thermador is not responsible for products that are transported from the U.S. for use in Canada.