

# 30" Over-the-Range Microwave

500 Series – Stainless Steel HMV5053C



**HMV5053C**  
Stainless Steel

The precisely designed OTR microwave is a perfect match to the sleek design of the Bosch kitchen.

## Features & Benefits

A large cooking interior gives you flexibility to cook various dishes.

A multi-speed vent efficiently removes steam, smoke, grease and odors.

A sensor detects when food is finished and automatically turns off.

The LCD display features easy-to-read white LED lettering.

The OTR microwave is designed to install with a Bosch slide-in range or cooktop.

General Properties	
Cavity color	White
Max. microwave power	1,100 W
Max. extraction rate	385 CFM
Ducted	Yes
Ductless	Yes
Duct size	3 1/4" x 10"

Capacity	
Cavity capacity	2.1 cu. ft.
Turntable diameter	14 3/16"

Technical Details	
Watts	1,550 W
Circuit breaker	15 A
Volts	120 V
Frequency	60 Hz
Power cord length	40"
Plug type	120V-3 prong

Dimensions & Weight	
Overall appliance dimensions (HxWxD)	17 1/2" x 29 7/8" x 15 7/8"
Required cutout size (HxWxD)	30" x 30" x 12"-14"
Net weight	63 lbs



**Accessories:** To purchase Bosch accessories, cleaners & parts please call 1-800-944-2904 (Mon to Fri 5 am to 6 pm PST, Sat 6 am to 3 pm PST).

**Notes:** All height, width and depth dimensions are shown in inches. BSH reserves the absolute and unrestricted right to change product materials and specifications, at any time, without notice. Consult the product's installation instructions for final dimensional data and other details prior to making cutout.

**Warranties:** Please see Use & Care manual or Bosch website for statement of limited warranty.

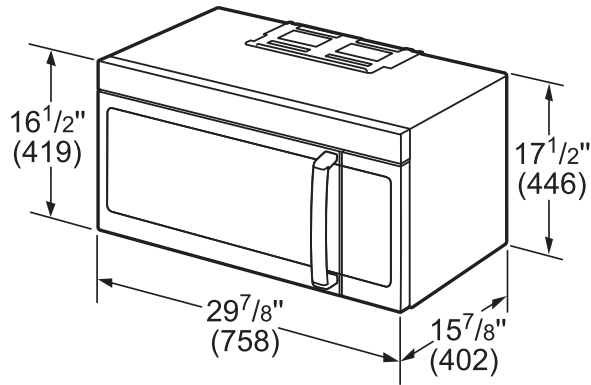
**For more information on our entire line of products, go to [www.bosch-home.ca](http://www.bosch-home.ca) or call 1-800-944-2904**

© BSH Home Appliances Corporation. All rights reserved. Bosch is a registered trademark of Robert Bosch GmbH.

# 30" Over-the-Range Microwave

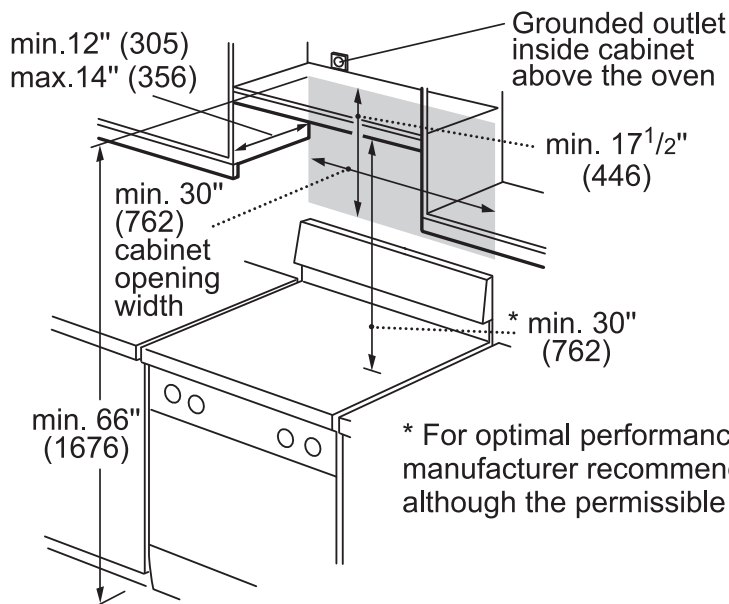
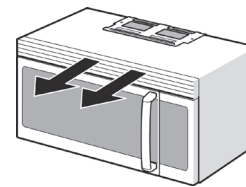
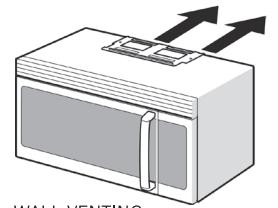
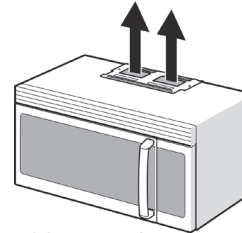
500 Series – Stainless Steel HMV5053C

## Installation Details



measurements in inches (mm)

### Venting Options



\* For optimal performance and reliability, the manufacturer recommends a clearance of 33"–36", although the permissible clearance must be at least 30".

measurements in inches (mm)

**Accessories:** To purchase Bosch accessories, cleaners & parts please call 1-800-944-2904 (Mon to Fri 5 am to 6 pm PST, Sat 6 am to 3 pm PST).

**Notes:** All height, width and depth dimensions are shown in inches. BSH reserves the absolute and unrestricted right to change product materials and specifications, at any time, without notice. Consult the product's installation instructions for final dimensional data and other details prior to making cutout.

**Warranties:** Please see Use & Care manual or Bosch website for statement of limited warranty.

**For more information on our entire line of products, go to [www.bosch-home.ca](http://www.bosch-home.ca) or call 1-800-944-2904**

© BSH Home Appliances Corporation. All rights reserved. Bosch is a registered trademark of Robert Bosch GmbH.