

DWHD860RPR

STAR SAPPHIRE® 8-PROGRAM DISHWASHER

CUSTOM PANEL



Also Available In:

(DWHD860RFP) - Flat Stainless Steel Panel

with Professional Series Handle

(DWHD860RFM) - Flat Stainless Steel Panel

with Masterpiece® Series Handle

FEATURES & BENEFITS

- ★ - Entertainer's Drawer (3rd Rack) – provides the ultimate flexibility in cleaning your culinary kitchen tools
- ★ - Star Glow light illuminates your dishwasher with 3 levels of Sapphire Blue and introducing 3 levels of sparkling white light
 - Premium Control Panel: Capacitive Touch offering the ultimate in design to match your complete Thermador kitchen
- ★ - Wine Caddy Accessory – providing ultimate peace of mind when washing even your most delicate wine glasses
- ★ - Star Speed® is a full wash cycle in just 20 minutes – industry fastest hot water wash
 - Time remaining PowerBeam® shines the actual remaining time of the cycle on the floor

ACCESSORIES (OPTIONAL)

Dishwasher Softener Salt (4.4 lbs)	SGZ9091UC
Dishwasher Supply and Drainage Hose Extension 76 3/4"	SGZ1010
Dishwasher Accessory Kit	SMZ5000
Fine Silverware Carafe	SMZ5002UC
24" Stainless Steel Chiseled Door with Masterpiece Handle	DWHDZJCMD
24" Stainless Steel Chiseled Door with Professional Handle	DWHDZJCPD



Accessory Kit includes Extra-Tall-Item Sprinkler, Vase / Bottle Holder, 3 Plastic Item Clips and Small Item Basket



Fine Silverware Carafe

GENERAL PROPERTIES

Number Of Wash Cycles	8
Number Of Options	6
dBA	44
Third Rack	Entertainer's Drawer
Rack Adjustability	Rackmatic 3-Stage
Tub Material	Stainless Steel
Control Type	Touch Controls
Concealed Heating Element	Yes
Leak Protection System	24/7 AquaStop® Plus
Water Softener	Yes
Five-Level Wash	Yes
Childlock	No

EFFICIENCY

Water Usage Per Cycle (g)	2.9 g
Energy Efficiency Class	Tier 1
ENERGY STAR® Qualified	Yes
Total Annual Energy Consumption (kWh)	269 kWh
Total Annual Water Consumption (g)	623.5 g

CAPACITY

Number Of Place Settings	15
--------------------------	----

TECHNICAL DETAILS

Watts (W)	1440 W
Current (A)	12 A
Volts (V)	120 V
Frequency (Hz)	60 Hz
Power Cord Length (in)	47 1/4"
Minimum Water Pressure (lb/sin)	7
Max. Temperature for Water Intake	140° F
Length Inlet Hose (in)	55 1/8"
Length Outlet Hose (in)	55 1/8"

DIMENSIONS & WEIGHT

Overall Appliance Dimensions (HxWxD) (in)	34 1/16" x 23 9/16" x 21 5/8"
Required Cutout Size (H*xWxD) (in)	34 1/16" x 24" x 24"
Adjustable Feet	Yes
Net Weight (lbs)	96 lbs

ACCESSORIES (INCLUDED)

Extra Tall Item Sprinkler, Wine Caddy

WARRANTY

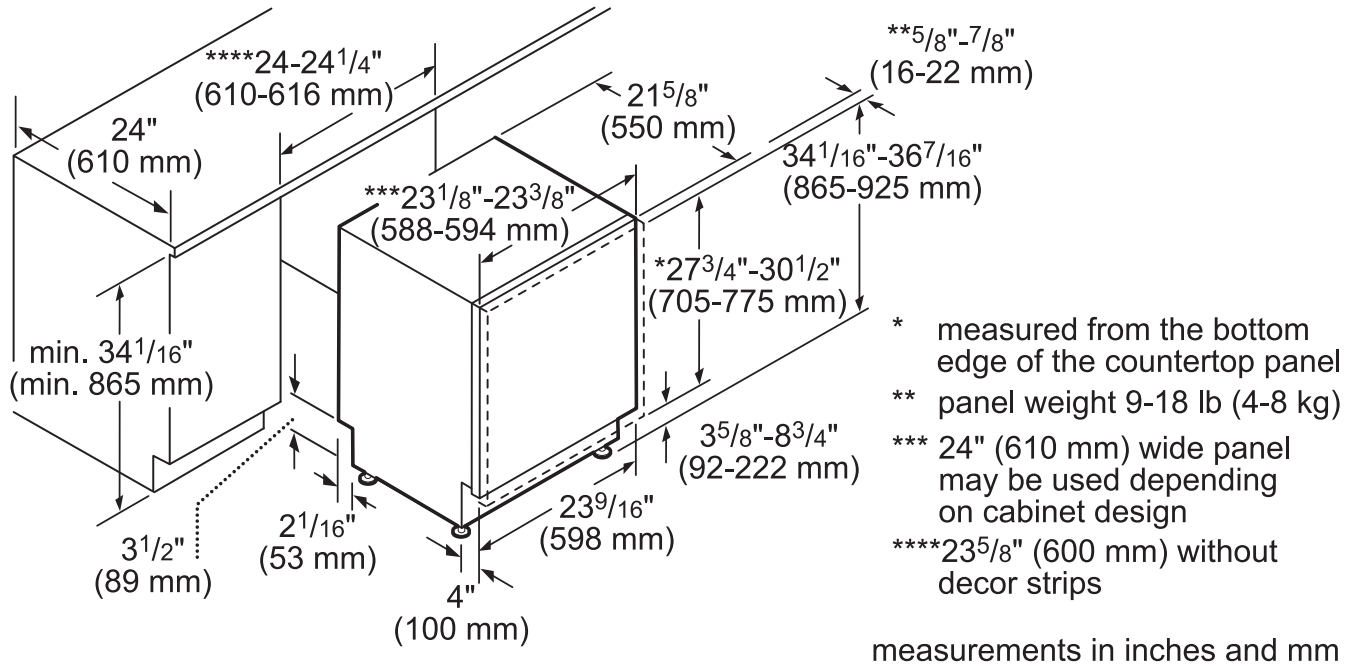
Limited Warranty, Entire Appliance, Parts and Labor	2 Year
Limited Warranty for Microprocessor or Printed Circuit Board; Parts Only	3rd to 5th Year
Limited Warranty for Racks (Does Not Include Rack Components); Parts Only	3rd to 5th Year
Limited Warranty for Rust-through On Inner Tub Liner; Parts Only	Lifetime

*minimum height requirement

DWHD860RPR
STAR SAPPHIRE® 8-PROGRAM DISHWASHER
CUSTOM PANEL



DISHWASHER & CUTOUT DIMENSIONS



Drain hose:
63" (160 cm)

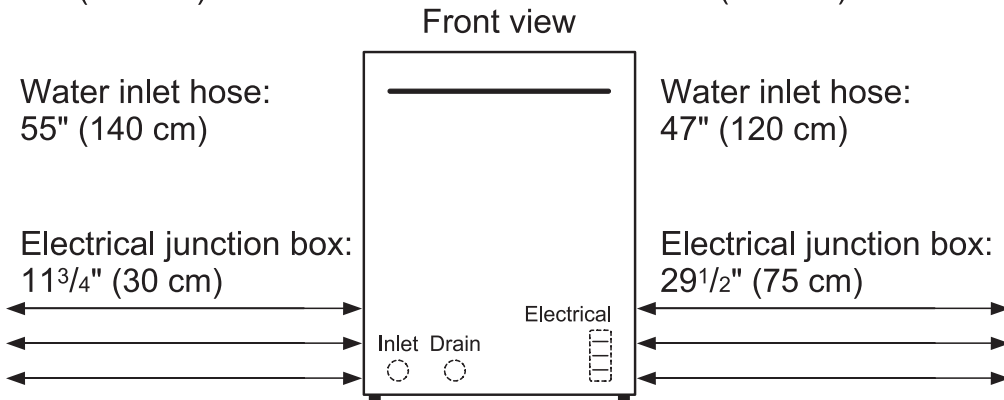
Drain hose:
59" (150 cm)

Water inlet hose:
55" (140 cm)

Water inlet hose:
47" (120 cm)

Electrical junction box:
11 $\frac{3}{4}$ " (30 cm)

Electrical junction box:
29 $\frac{1}{2}$ " (75 cm)



All connections are at the rear of the appliance.
 Extension for drain hose available as accessory.
 Power cord for connection to electrical outlet (3-prong plug) available as accessory.

These warranties give you specific legal rights and you may have other rights that vary from state to state. Full warranty and limited warranty from date of installation. For complete warranty details, refer to your Use & Care manual, or ask your dealer.

Specifications are for planning purposes only. Refer to installation instructions and consult your countertop supplier prior to making counter opening. Consult with a heating and ventilation engineer for your specific ventilation requirements. For the most detailed information, refer to installation instructions accompanying product or write to Thermador indicating the model number. Specifications are correct at time of printing. Thermador reserves the right to change product specifications or design without notice. Some models are certified for use in Canada. Thermador is not responsible for products that are transported from the U.S. for use in Canada.