

HPWB48FS

24-INCH DEPTH WALL HOOD WITH BLOWER (48-INCH WIDTH)

PROFESSIONAL SERIES



FEATURES & BENEFITS

- 1,200 CFM Integrated Blower included
- Three fan speeds
- Delayed shut-off tackles lingering odors for up to 10 minutes
- Built-in 'Clean Filter' reminder light illuminates after 40 hours of operation

ACCESSORIES (OPTIONAL)

48" W, 6" H Stainless Steel Duct Cover	DC48US
48" W, 12" H Stainless Steel Duct Cover	DCT48US

GENERAL PROPERTIES

Operating Mode	Ducted
Maximum CFM	1,200 CFM
Number of Speed Settings	3-Stage
Motor Location	Integrated
Number Of Lights	Lights Sold Separately - 3
Bulb Type	50 W - GU10 Base
Total Power Of The Lamps (W)	150 W
Damper Included	Yes
Grease Filter Material	Washable Synthetic
Grease Filter Type	Multilayer Cassette

TECHNICAL DETAILS

Watts (W)	1,050 W
Current (A)	15 A
Volts (V)	120 V
Frequency (Hz)	60 HZ
Plug Type	Fixed Connection

DIMENSIONS & WEIGHT

Overall Appliance Dimensions (Width Of Canopy Included) (HxVxD) (in)	11" x 48" x 23 1/8"
Required Distance Above Cooktop / Range Cooking Surface	30" / 30"
Diameter of Air Duct (in) Top	10"
Diameter of Air Duct (in) Back	N/A
Net Weight (lbs)	30 lbs

BLOWER OPTIONS

Remote Blower (Mounted to Roof or External Wall)	N/A
	N/A
	N/A
Inline Blower (Mounted Between Kitchen and External Wall)	N/A
	N/A
Integrated Blower (Mounted in Hood)	N/A
	N/A

WARRANTY

Limited Warranty Parts And Labor	2 Year
----------------------------------	--------

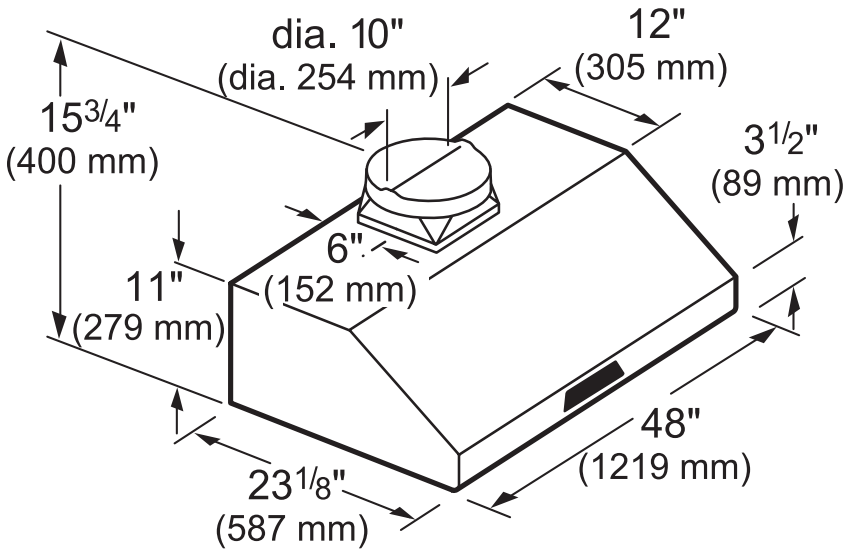
HPWB48FS

24-INCH DEPTH WALL HOOD WITH BLOWER (48-INCH WIDTH)

PROFESSIONAL SERIES



HOOD DIMENSIONS



measurements in inches and mm

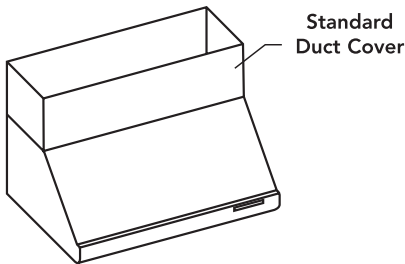
OPTIONAL ACCESSORIES

48" WIDE DUCT COVER

DC48US 6" HIGH

DCT48US 12" HIGH

Stainless steel duct cover for wall hood applications



These warranties give you specific legal rights and you may have other rights that vary from state to state. Full warranty and limited warranty from date of installation. For complete warranty details, refer to your Use & Care manual, or ask your dealer.

Specifications are for planning purposes only. Refer to installation instructions and consult your countertop supplier prior to making counter opening. Consult with a heating and ventilation engineer for your specific ventilation requirements. For the most detailed information, refer to installation instructions accompanying product or write to Thermador indicating the model number. Specifications are correct at time of printing. Thermador reserves the right to change product specifications or design without notice. Some models are certified for use in Canada. Thermador is not responsible for products that are transported from the U.S. for use in Canada.