

HMWN30FS

WALL HOOD (30-INCH WIDTH)

MASTERPIECE® SERIES



FEATURES & BENEFITS

- Recirculation possible with kit RECIRC30FS (max 600 CFM)
- Three fan speeds
- Built-in 'Clean Filter' reminder light illuminates after 40 hours of operation
- Delayed shut-off tackles lingering odors for up to 10 minutes
- Dishwasher-safe hybrid mesh filters

ACCESSORIES (OPTIONAL)

Roofplates

RFPLT600P - For use with 600 CFM Remote Blower VTR630P

RFPLT1000P - For use with 1000 CFM Remote Blower VTR1030P and 1300 CFM Blower VTR1330P

Recirculation Kit

RECIRC30FS - For HPWB30FS, HMWB30FS and HMWN30FS 30" Hoods Only. Adds 4" to height of appliance

Replacement Charcoal Filter - CHFILT3036

For Use With Recirculation Kit RECIRC_FS

30" W, 6" H Stainless Steel Duct Cover	DC30US
30" W, 12" H Stainless Steel Duct Cover	DCT30US

GENERAL PROPERTIES

Operating Mode	Convertible: Ducted / Recirculating
Maximum CFM	N/A
Number of Speed Settings	3-Stage
Motor Location	Blower (Sold Separately)
Number Of Lights	Lights Sold Separately - 2
Bulb Type	50 W - GU10 Base
Total Power Of The Lamps (W)	100 W
Damper Included	Yes
Grease Filter Material	Washable Synthetic
Grease Filter Type	Multilayer Cassette

TECHNICAL DETAILS

Watts (W)	100 W
Current (A)	15 A
Volts (V)	120 V
Frequency (Hz)	60 HZ
Plug Type	Fixed Connection

DIMENSIONS & WEIGHT

Overall Appliance Dimensions (Width Of Canopy Included) (HxWxD) (in)	11" x 30" x 23 1/8"
Required Distance Above Cooktop / Range Cooking Surface	30" / 30"
Diameter of Air Duct (in) Top	10"
Diameter of Air Duct (in) Back	N/A
Net Weight (lbs)	35 lbs

ACCESSORIES (REQUIRED)

Blower (Sold Separately)

BLOWER OPTIONS

Remote Blower (Mounted to Roof or External Wall)	VTR630P - 600 CFM
	VTR1030P - 1000 CFM
	VTR1330P - 1300 CFM
Inline Blower (Mounted Between Kitchen and External Wall)	VTI610P - 600 CFM
	VTI1010P - 1000 CFM
Integrated Blower (Mounted in Hood)	VTN600F - 600 CFM

WARRANTY

Limited Warranty Parts And Labor	2 Year
----------------------------------	--------

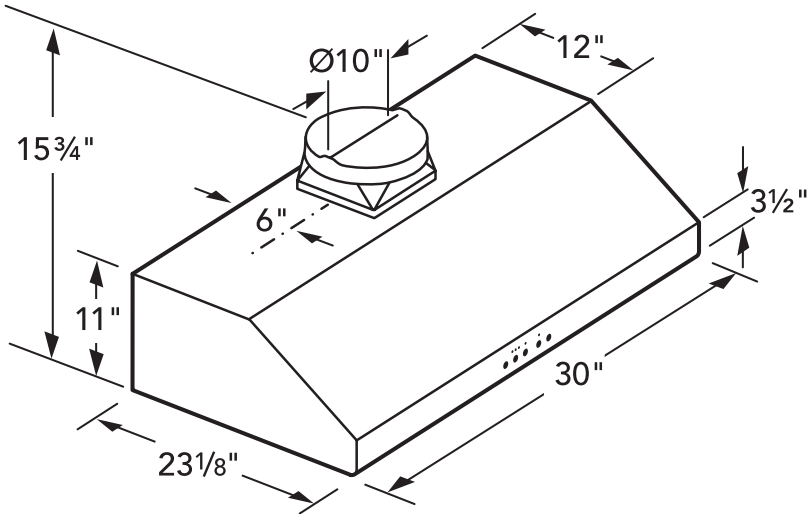
HMWN30FS

WALL HOOD (30-INCH WIDTH)

MASTERPIECE® SERIES



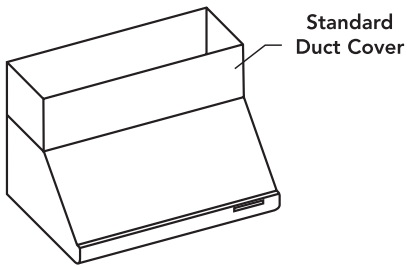
HOOD DIMENSIONS



OPTIONAL ACCESSORIES

- 30" WIDE DUCT COVER**
DC30US 6" HIGH
DCT30US 12" HIGH

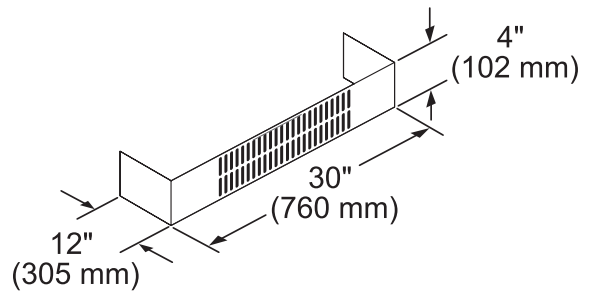
Stainless steel duct cover for wall hood applications



RECIRCULATION KIT

RECIRC30FS 30" WIDE

- For use with HPWB30FS, HMWB30FS, and HMWN30FS 30" Hoods Only
- Stainless steel finish
- Perfect for hard to duct installations
- Use with 600 CFM blowers only
- Adds 4" to total height of appliance



measurements in inches and mm

REPLACEMENT CHARCOAL FILTERS

CHFILT3036

For use with Recirculation Kit RECIRC_FS

HMWN30FS

WALL HOOD (30-INCH WIDTH)

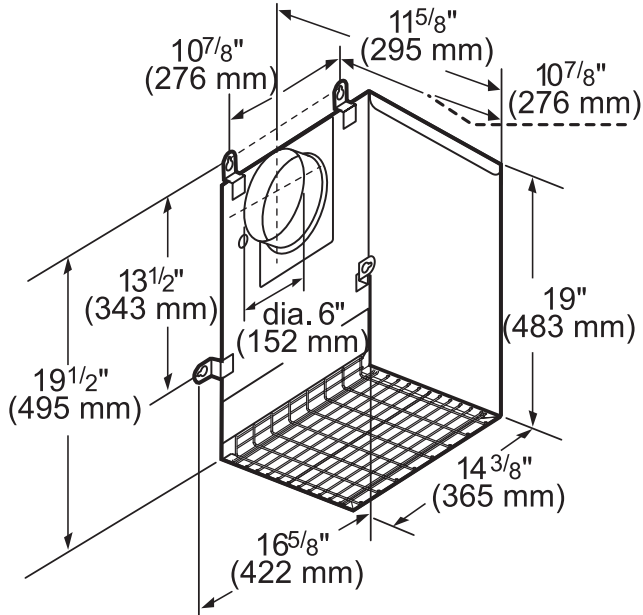
MASTERPIECE® SERIES



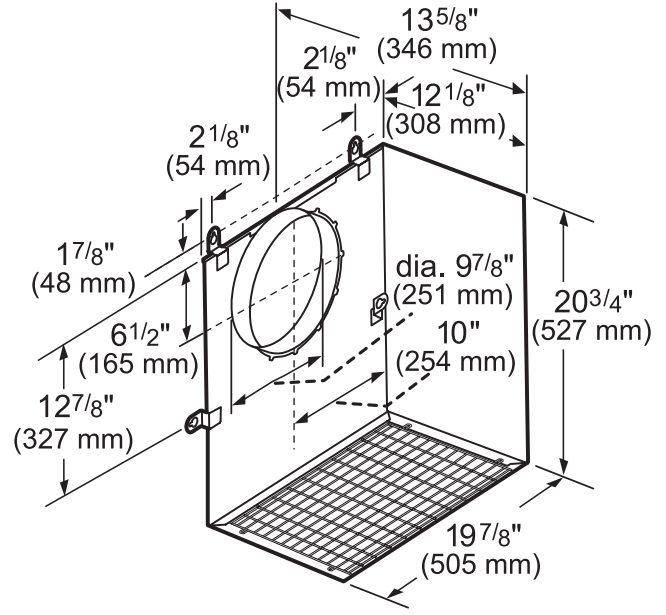
REMOTE BLOWERS (MOUNTED TO ROOF OR EXTERNAL WALL)

VTR630P-600 CFM

VTR1030P-1000 CFM

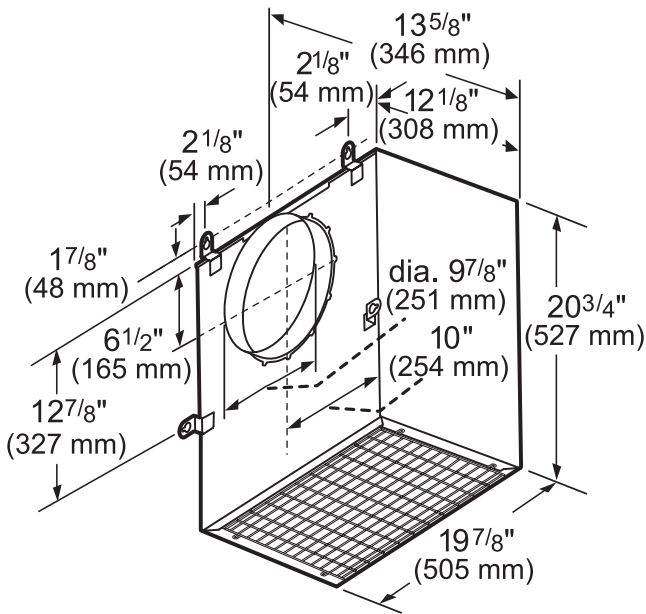


measurements in inches and mm



measurements in inches and mm

VTR1330P-1300 CFM



measurements in inches and mm

HMWN30FS

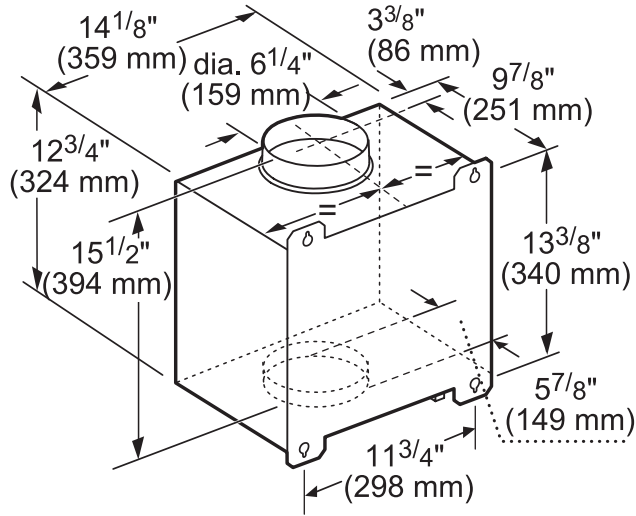
WALL HOOD (30-INCH WIDTH)

MASTERPIECE® SERIES



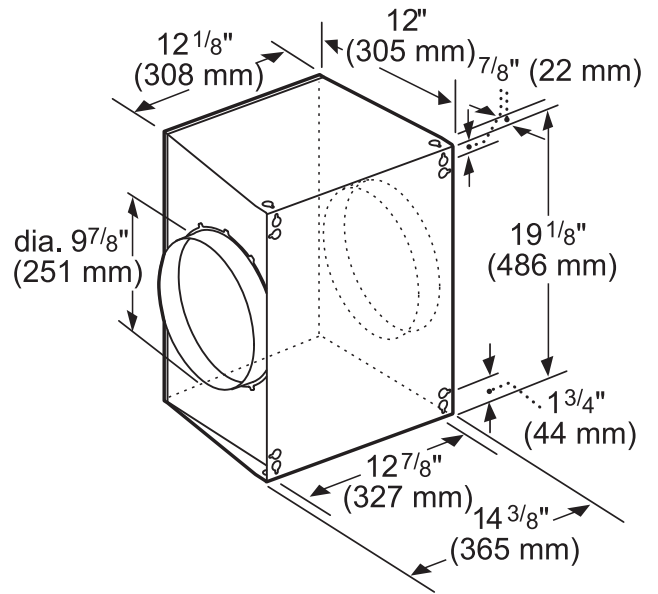
INLINE BLOWERS (MOUNTED BETWEEN KITCHEN AND EXTERNAL WALL)

VTI610P-600 CFM



measurements in inches and mm

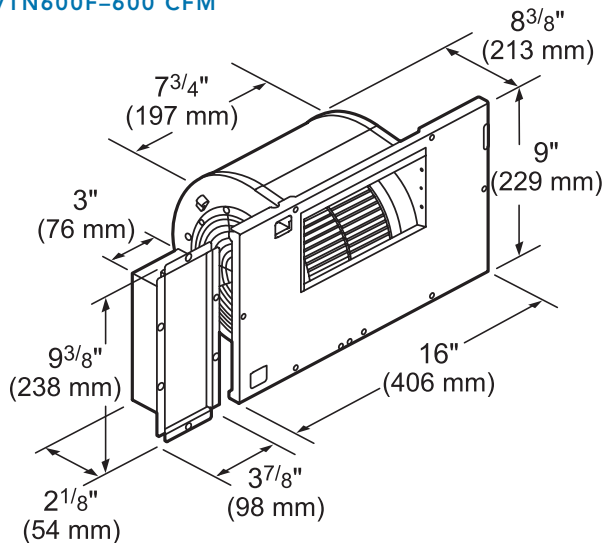
VTI1010P-1000 CFM



measurements in inches and mm

INTEGRATED BLOWERS (MOUNTED IN HOOD)

VTN600F-600 CFM



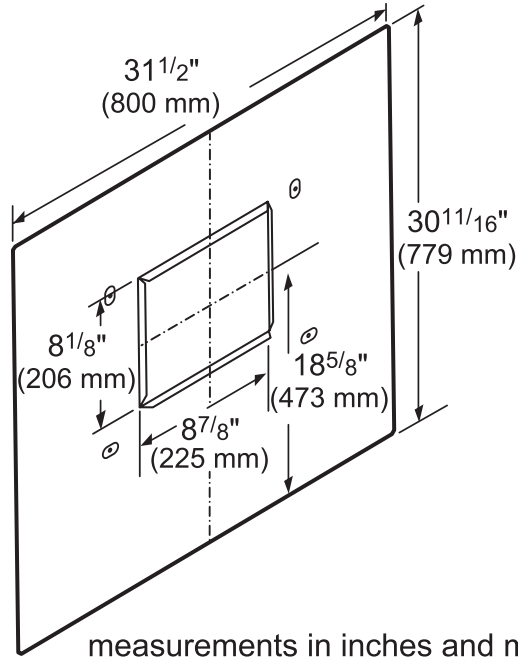
measurements in inches and mm

HMWN30FS
WALL HOOD (30-INCH WIDTH)
 MASTERPIECE® SERIES

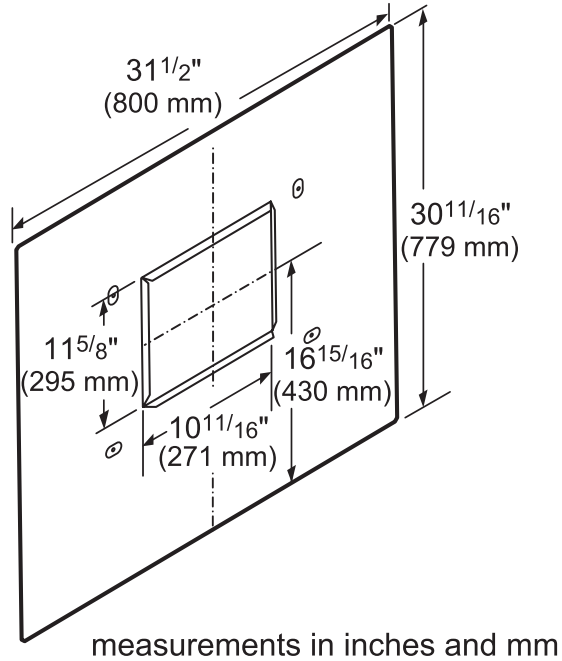


REMOTE BLOWER ACCESSORIES

ROOFPLATE-RFPLT600P



ROOFPLATE-RFPLT1000P



These warranties give you specific legal rights and you may have other rights that vary from state to state. Full warranty and limited warranty from date of installation. For complete warranty details, refer to your Use & Care manual, or ask your dealer.

Specifications are for planning purposes only. Refer to installation instructions and consult your countertop supplier prior to making counter opening. Consult with a heating and ventilation engineer for your specific ventilation requirements. For the most detailed information, refer to installation instructions accompanying product or write to Thermador indicating the model number. Specifications are correct at time of printing. Thermador reserves the right to change product specifications or design without notice. Some models are certified for use in Canada. Thermador is not responsible for products that are transported from the U.S. for use in Canada.