

# HMWB36FS

## WALL HOOD WITH BLOWER (36-INCH WIDTH)

MASTERPIECE® SERIES



### FEATURES & BENEFITS

- 600 CFM Integrated Blower included
- Recirculation possible with kit RECIRC36FS (max 600 CFM)
- Three fan speeds
- Built-in 'Clean Filter' reminder light illuminates after 40 hours of operation

### ACCESSORIES (OPTIONAL)

Recirculation Kit

RECIRC36FS - For Masterpiece HMWB36FS and HMWN36FS 36" Hoods Only. Adds 4" to height of appliance

Replacement Charcoal Filter - CHFILT3036

For Use With Recirculation Kit RECIRC\_FS

36" W, 6" H Stainless Steel Duct Cover	DC36US
36" W, 12" H Stainless Steel Duct Cover	DCT36US

### GENERAL PROPERTIES

Operating Mode	Convertible: Ducted / Recirculating
Maximum CFM	600 CFM
Number of Speed Settings	3-Stage
Motor Location	Integrated
Number Of Lights	Lights Sold Separately - 2
Bulb Type	50 W - GU10 Base
Total Power Of The Lamps (W)	100 W
Damper Included	Yes
Grease Filter Material	Washable Synthetic
Grease Filter Type	Multilayer Cassette

### TECHNICAL DETAILS

Watts (W)	550 W
Current (A)	15 A
Volts (V)	120 V
Frequency (Hz)	60 HZ
Plug Type	Fixed Connection

### DIMENSIONS & WEIGHT

Overall Appliance Dimensions (Width Of Canopy Included) (HxWxD) (in)	11" x 36" x 23 1/8"
Required Distance Above Cooktop / Range Cooking Surface	30" / 30"
Diameter of Air Duct (in) Top	10"
Diameter of Air Duct (in) Back	N/A
Net Weight (lbs)	33 lbs

### ACCESSORIES (REQUIRED)

Recirculation Kit

### BLOWER OPTIONS

Remote Blower (Mounted to Roof or External Wall)	N/A
	N/A
	N/A
Inline Blower (Mounted Between Kitchen and External Wall)	N/A
	N/A
Integrated Blower (Mounted in Hood)	N/A
	N/A

### WARRANTY

Limited Warranty Parts And Labor	2 Year
----------------------------------	--------

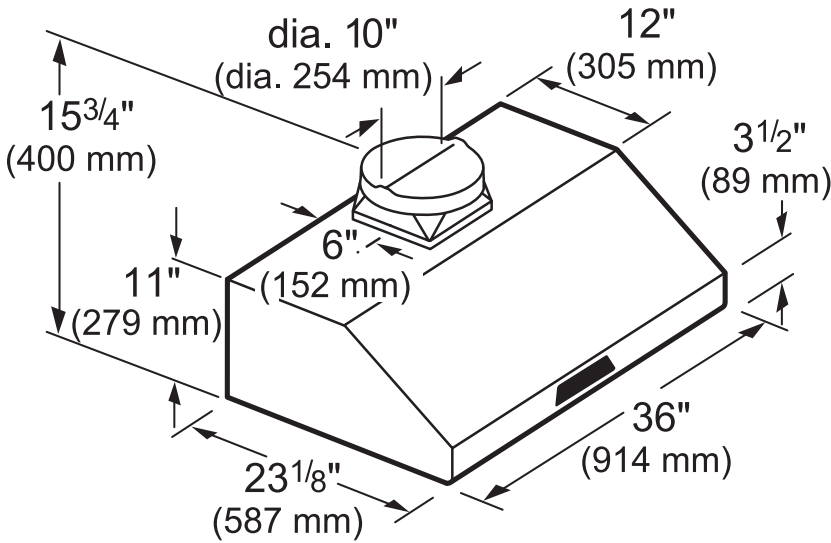
# HMWB36FS

## WALL HOOD WITH BLOWER (36-INCH WIDTH)

MASTERPIECE® SERIES



### HOOD DIMENSIONS

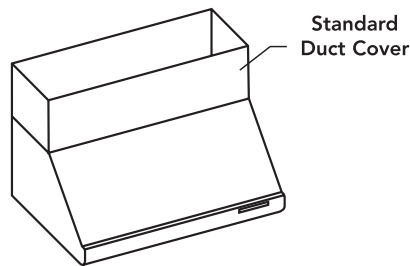


measurements in inches and mm

### OPTIONAL ACCESSORIES

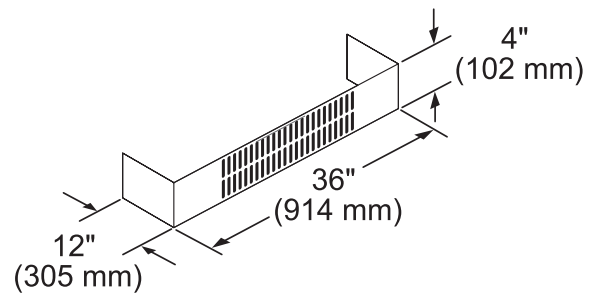
- 36" WIDE DUCT COVER**  
**DC36US 6" HIGH**  
**DCT36US 12" HIGH**

Stainless steel duct cover for wall hood applications



### RECIRCULATION KIT RECIRC36FS 36" WIDE

- For use with Masterpiece HMWB36FS and HMWN36FS 36" Hoods Only
- Stainless steel finish
- Perfect for hard to duct installations
- Use with 600 CFM blowers only
- Adds 4" to total height of appliance



measurements in inches and mm

### REPLACEMENT CHARCOAL FILTERS CHFILT3036

For use with Recirculation Kit RECIRC\_FS

These warranties give you specific legal rights and you may have other rights that vary from state to state. Full warranty and limited warranty from date of installation. For complete warranty details, refer to your Use & Care manual, or ask your dealer.

Specifications are for planning purposes only. Refer to installation instructions and consult your countertop supplier prior to making counter opening. Consult with a heating and ventilation engineer for your specific ventilation requirements. For the most detailed information, refer to installation instructions accompanying product or write to Thermador indicating the model number. Specifications are correct at time of printing. Thermador reserves the right to change product specifications or design without notice. Some models are certified for use in Canada. Thermador is not responsible for products that are transported from the U.S. for use in Canada.