

# WDC36J

## 36-INCH CONVECTION WARMING DRAWER

CUSTOM PANEL READY



### FEATURES & BENEFITS

- ★ - SoftClose® hinges for ultra smooth closing of the warming drawer
- ★ - Easy to clean glass ceramic surface
  - Telescopic ball-bearing rails offer smooth handling and support up to 40 lbs
  - Warming Mode with three convenient temperature settings
  - Powerful 400 Watt convection heater

### GENERAL PROPERTIES

Power Levels	High, Low, Medium, Plate
Dough Proofing Mode	Yes
Plate Warming Mode (for multiple plates)	Yes
Warming Mode	Yes
Temperature Settings	F100 - F120 - F155 (Plate Warming F165)
Timer	Yes
Automatic Shut Off After 1 Hour	Yes
Door Opening	Pull Handle
Hinges	SoftClose®
Wattage Heating Element(s)	1,080 W
Easy-Clean Glass Ceramic Surface	Yes
Control Type	Touch Control With Blue Digital Display

### CAPACITY

Cavity Capacity (cu. ft.)	3.1 cu. ft.
Holds Up To __ Dinner Plates	32

### TECHNICAL DETAILS

Watts (W)	1,080 W
Circuit Breaker (A)	15 A
Volts (V)	120 V
Frequency (Hz)	60 Hz
Power Cord Length (in)	72"
Plug Type	120V 3-Wire

### DIMENSIONS & WEIGHT

Overall Appliance Dimensions (HxWxD) (in)	9 7/8" x 33 9/16" x 21 3/4"
Required Cutout Size (HxWxD) (in)	10" x 34 1/2" x 23"
Net Weight (lbs)	75 lbs

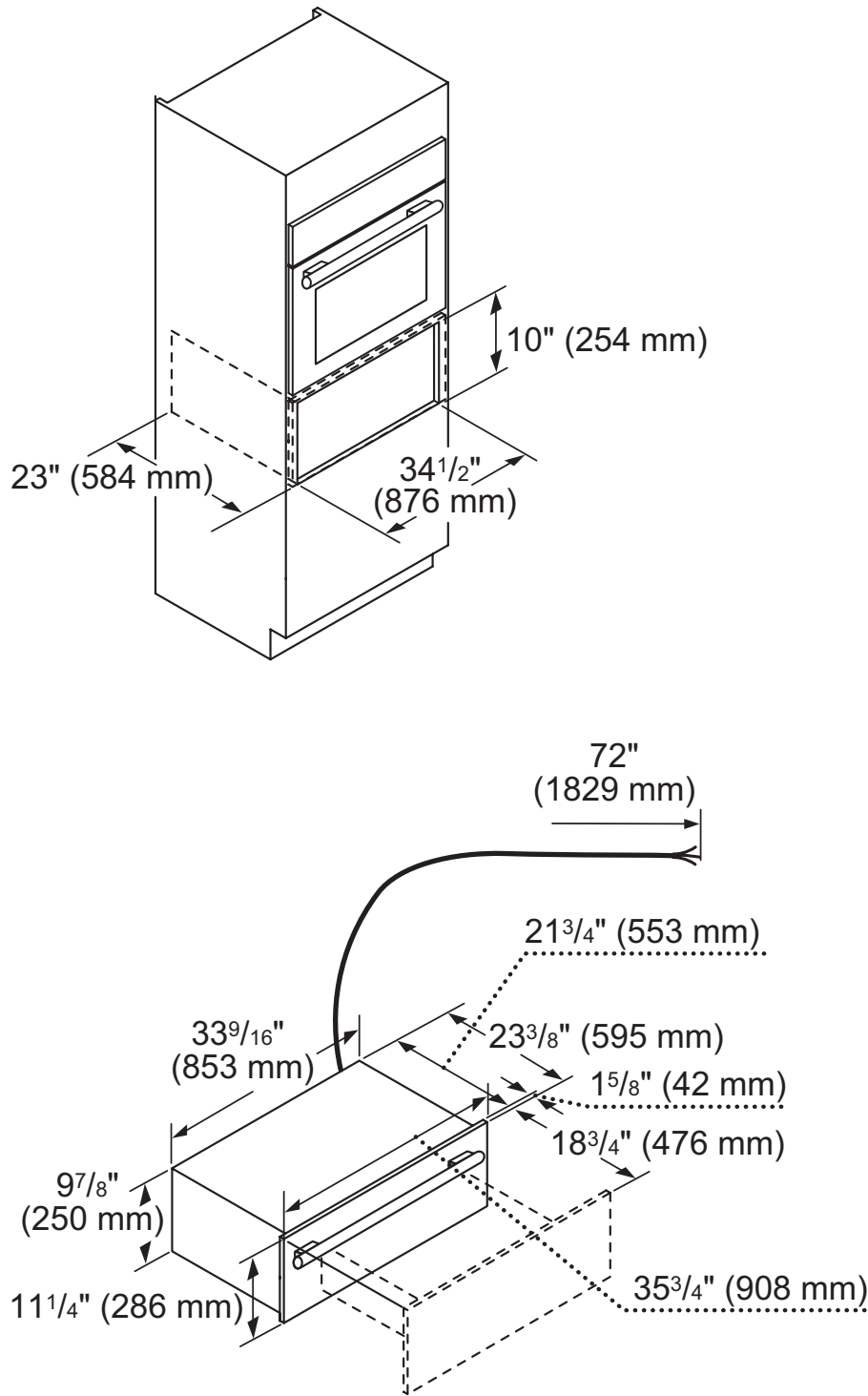
### WARRANTY

Limited Warranty Parts and Labor	2 Year
----------------------------------	--------

**WDC36J**  
**36-INCH CONVECTION WARMING DRAWER**  
 CUSTOM PANEL READY



36-INCH CONVECTION WARMING DRAWER AND CUTOUT DIMENSIONS



Note: 1 5/8" is the depth of the standard front panel (includes gasket). Dimension is not valid for custom panel product.

# WDC36J

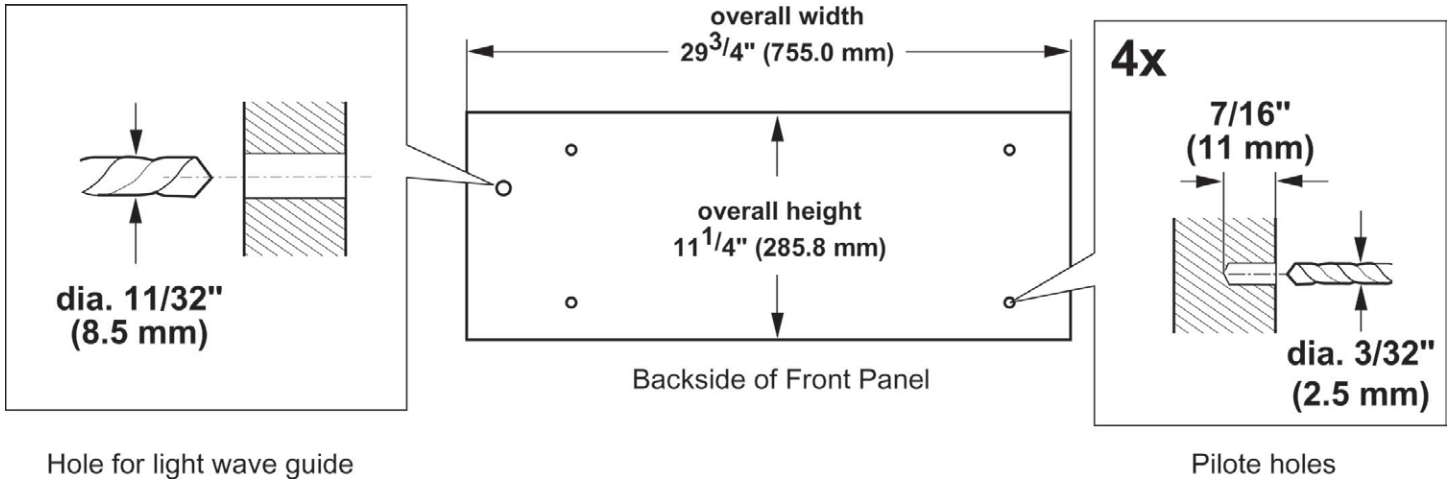
## 36-INCH CONVECTION WARMING DRAWER

CUSTOM PANEL READY



### 36-INCH CONVECTION WARMING DRAWER CUSTOM DRAWER FRONT DIMENSIONS

Build custom drawer front to the dimensions specified below. All four edges must be finished. If using wood, the back must be sealed to prevent moisture damage.



These warranties give you specific legal rights and you may have other rights that vary from state to state. Full warranty and limited warranty from date of installation. For complete warranty details, refer to your Use & Care manual, or ask your dealer.

Specifications are for planning purposes only. Refer to installation instructions and consult your countertop supplier prior to making counter opening. Consult with a heating and ventilation engineer for your specific ventilation requirements. For the most detailed information, refer to installation instructions accompanying product or write to Thermador indicating the model number. Specifications are correct at time of printing. Thermador reserves the right to change product specifications or design without notice. Some models are certified for use in Canada. Thermador is not responsible for products that are transported from the U.S. for use in Canada.