

# MEDMC301JP

## 30-INCH DOUBLE COMBINATION BUILT-IN OVEN

MASTERPIECE® SERIES WITH PROFESSIONAL HANDLE



### FEATURES & BENEFITS

- ★ - SoftClose® door ensures ultra smooth closing of the oven door
- ★ - Fastest preheat in the luxury segment (around 7 minutes)
- ★ - Superfast 2-hour self clean mode-fastest on the market
  - 2 Full Access® telescopic racks
  - No preheat Speed Convection mode

### ACCESSORIES (OPTIONAL)



TLSCPRCK30  
30-Inch Oven Telescopic Rack

### GENERAL PROPERTIES

Modes – Upper Cavity	See MCES for Microwave Features
Modes – Lower Cavity	(18) Bake, Roast, True Convection, Convection Bake, Convection Roast, No Preheat Speed Convection, Warm, EasyCook®, Broil, Convection Broil, Pizza, Proof, Dehydrate, Cook Control™ Probe, Self Clean, Sabbath, Favorites, Fast Preheat
Warming Drawer	N/A
Cleaning Type – Lower Cavity	Self Clean
Telescopic Rack(s)	2
Illumination Type – Upper & Lower Cavity	Halogen with SoftLight Function
Interior Lights – Upper & Lower Cavity	1 / 3

### OVEN PERFORMANCE

Microwave Power	1,000 W
Bake / Broil Element Wattages – Lower Cavity	2,000 / 3,600 W
Convection Element Wattages – Lower Cavity	2,000 W
Warming Drawer Wattage	N/A

### TECHNICAL DETAILS

Watts (W)	10,200 W
Circuit Breaker (A)	50 A
Volts (V); Frequency (Hz)	240 / 208 V; 60 Hz
Plug Type	Fixed Connection, No Plug
Conduit	66" Flexible 4-Wire
Energy Source	Electric

### DIMENSIONS & WEIGHT

Overall Appliance Dimensions (HxWxD) (in)	50" x 29 3/4" x 23 7/8"
Required Cutout Size (HxWxD) (in)	49 1/2" x 28 1/2" x 24"
Microwave Cavity Size (cu. ft.)	1.5 cu. ft.
Oven Cavity Size – Upper / Lower Cavity (cu. ft.)	4.7 cu. ft.
Warming Drawer Cavity Size (cu. ft.)	N/A
Overall Oven Interior Dimensions (HxWxD) (in)	17 7/8" x 25" x 17 7/8"
Usable Oven Interior Dimensions (HxWxD) (in)	12 3/4" x 22 3/4" x 17 1/4"
Net Weight (lbs)	250 lbs

### ACCESSORIES (INCLUDED)

Upper Cavity: 1 Oven Rack, 1 Ceramic Glass Tray, 1 Roller Ring Lower Cavity: 2 Telescopic and 1 Standard Oven Rack, Temperature Probe, Broiler Pan

### WARRANTY

Limited Warranty Parts and Labor	2 Year
----------------------------------	--------

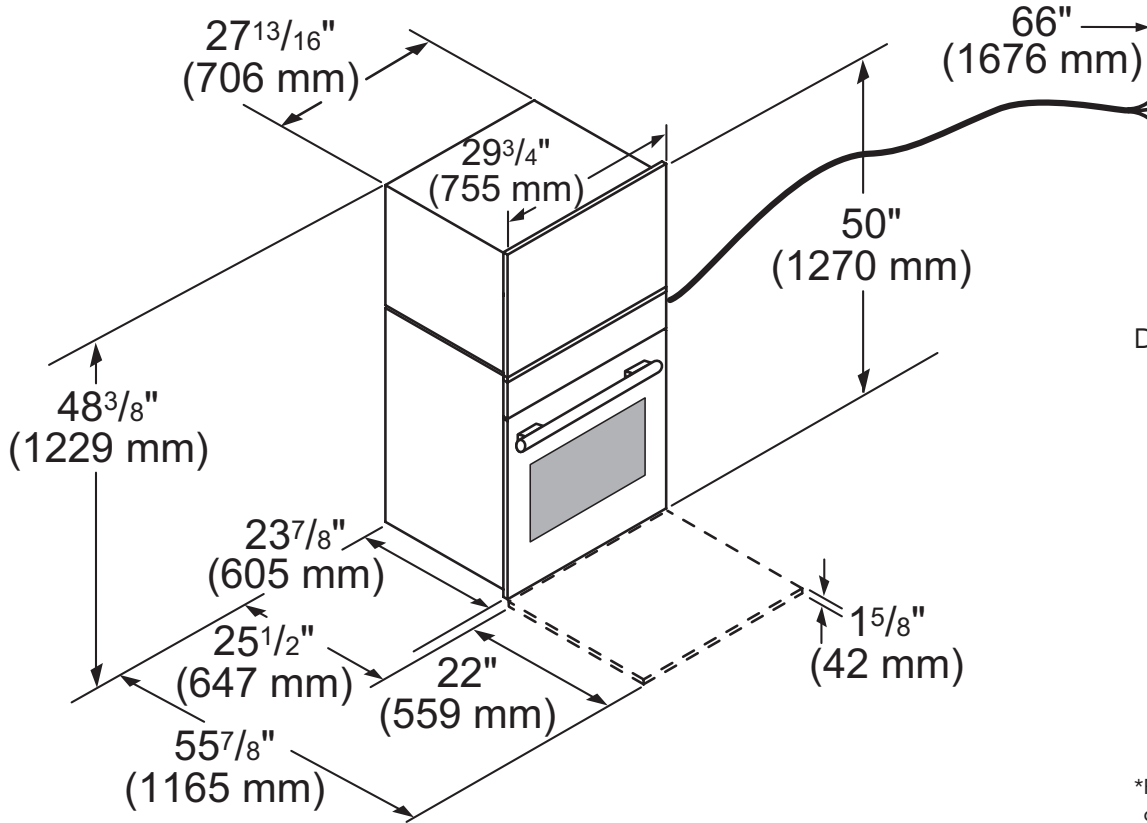
\* Valid for wall oven

★ THERMADOR® EXCLUSIVE

**MEDMC301JP**  
**30-INCH DOUBLE COMBINATION BUILT-IN OVEN**  
 MASTERPIECE® SERIES WITH PROFESSIONAL HANDLE

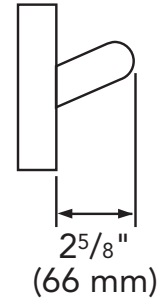


30-INCH DOUBLE COMBINATION OVEN WITH MICROWAVE



Door Handle Depth\*

Professional Handle

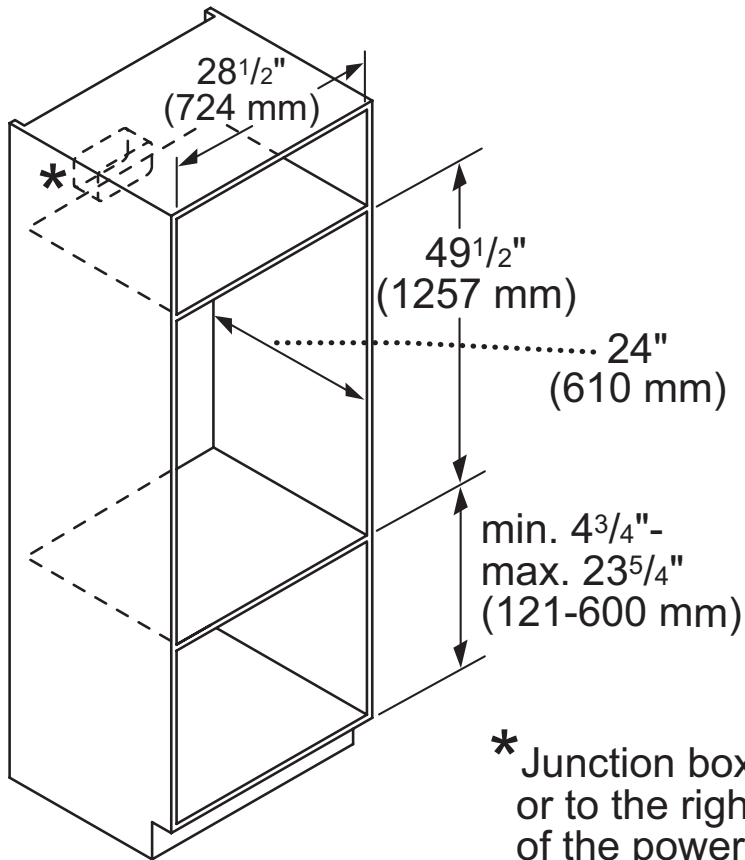


\*Protrusion of handle from outer part of door. Does not include thickness of door

**MEDMC301JP**  
**30-INCH DOUBLE COMBINATION BUILT-IN OVEN**  
MASTERPIECE® SERIES WITH PROFESSIONAL HANDLE



30-INCH DOUBLE COMBINATION OVEN WITH MICROWAVE



These warranties give you specific legal rights and you may have other rights that vary from state to state. Full warranty and limited warranty from date of installation. For complete warranty details, refer to your Use & Care manual, or ask your dealer.

Specifications are for planning purposes only. Refer to installation instructions and consult your countertop supplier prior to making counter opening. Consult with a heating and ventilation engineer for your specific ventilation requirements. For the most detailed information, refer to installation instructions accompanying product or write to Thermador indicating the model number. Specifications are correct at time of printing. Thermador reserves the right to change product specifications or design without notice. Some models are certified for use in Canada. Thermador is not responsible for products that are transported from the U.S. for use in Canada.