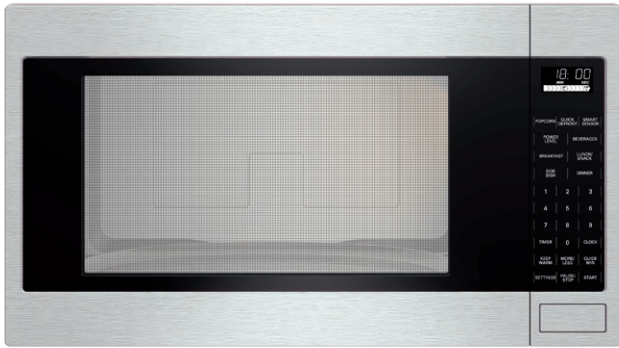


MBES
BUILT-IN MICROWAVE
 MASTERPIECE® & PROFESSIONAL SERIES



FEATURES & BENEFITS

- Innovative microwave inverter technology offers consistent cooking performance
- 1,200 watts microwave power and 10 microwave power levels
- Automatic beverages reheat—determines cooking level and time
- Sensor cooking programs measure humidity and adjust cooking level and cooking time
- Built-in microwave is the perfect companion for any Thermador wall oven

ACCESSORIES (OPTIONAL)



MBT27JS
 27-Inch Trim Kit



MBT30JS
 30-Inch Trim Kit

GENERAL PROPERTIES

| | |
|--------------------------|---------|
| Cavity Color | White |
| Max. Microwave Power (W) | 1,200 W |

CAPACITY

| | |
|---------------------------|-------------|
| Cavity Capacity (cu. ft.) | 2.1 cu. ft. |
| Turntable Diameter (in.) | 16 1/2" |

TECHNICAL DETAILS

| | |
|-------------------------|--------------|
| Watts (W) | 1,460 W |
| Circuit Breaker (A) | 20 A |
| Volts (V) | 120 V |
| Frequency (Hz) | 60 Hz |
| Plug Type | 120V-3 Prong |
| Power Cord Length (in.) | 41 5/16" |

DIMENSIONS & WEIGHT

| | |
|-------------------------------------------------|--------------------------|
| Overall Appliance Dimensions (HxWxD) (in.) | 14" x 23 7/8" x 19 7/16" |
| 27" Trim Kit Required Cutout Size (HxWxD) (in.) | 19 7/8" x 25 7/16" x 21" |
| 30" Trim Kit Required Cutout Size (HxWxD) (in.) | 19 7/8" x 28 7/16" x 21" |
| Net Weight (Lbs) | 34 lbs |

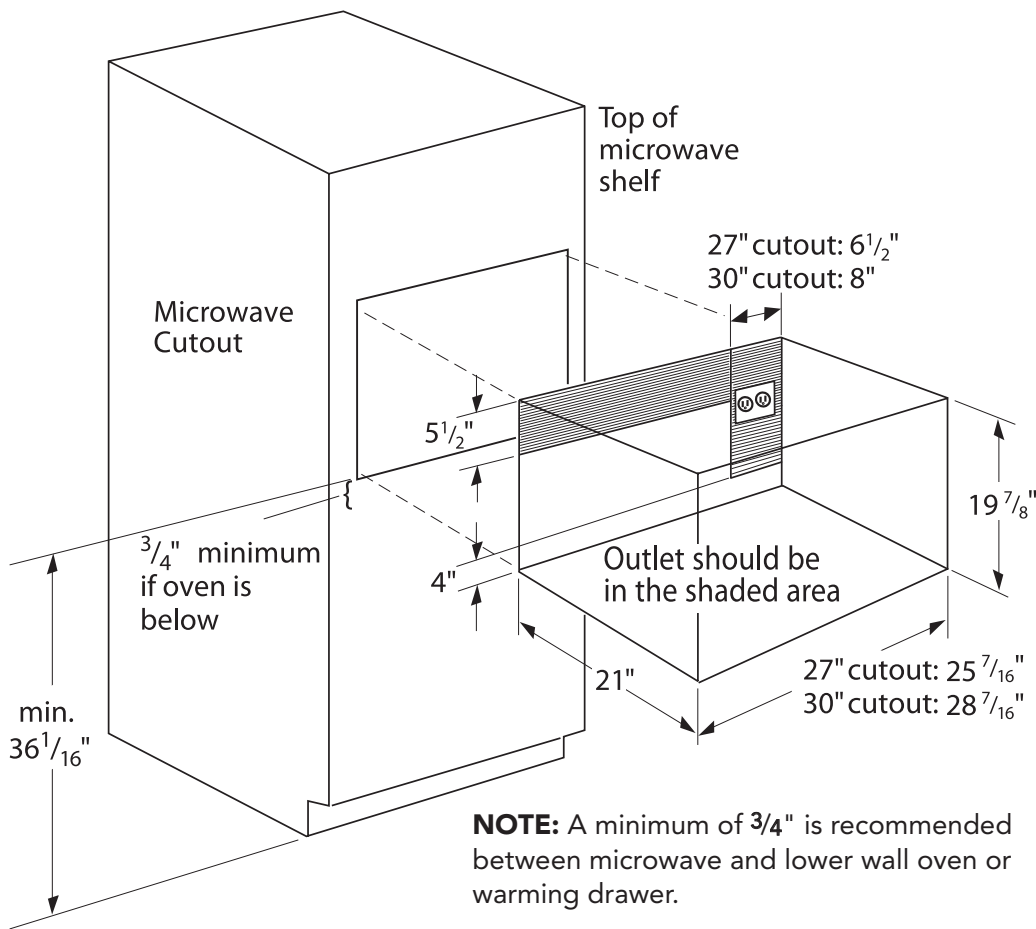
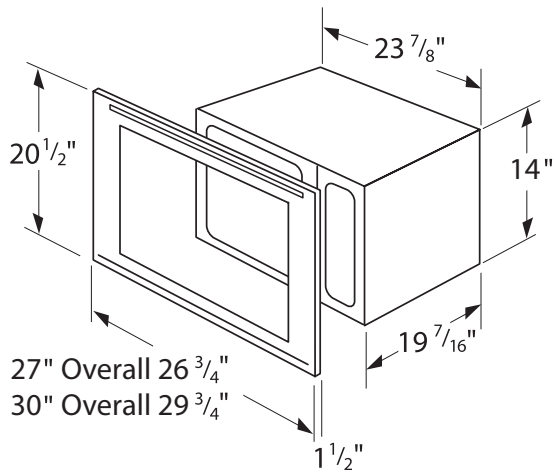
ACCESSORIES (INCLUDED)

1 Ceramic Glass Tray, 1 Roller Ring

WARRANTY

| | |
|-----------------------------------------------------|--------|
| Limited Warranty, Entire Appliance, Parts and Labor | 2 Year |
|-----------------------------------------------------|--------|

MICROWAVE OVEN AND CUTOUT DIMENSIONS



These warranties give you specific legal rights and you may have other rights that vary from state to state. Full warranty and limited warranty from date of installation. For complete warranty details, refer to your Use & Care manual, or ask your dealer.

Specifications are for planning purposes only. Refer to installation instructions and consult your countertop supplier prior to making counter opening. Consult with a heating and ventilation engineer for your specific ventilation requirements. For the most detailed information, refer to installation instructions accompanying product or write to Thermador indicating the model number. Specifications are correct at time of printing. Thermador reserves the right to change product specifications or design without notice. Some models are certified for use in Canada. Thermador is not responsible for products that are transported from the U.S. for use in Canada.