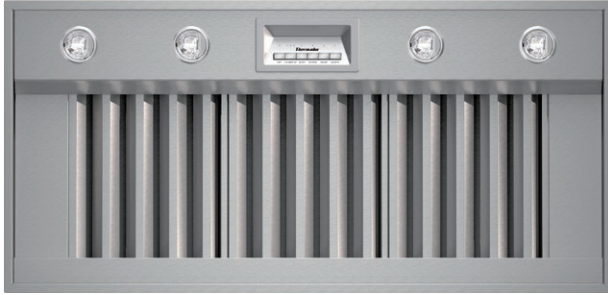


VCIN48JP

48-INCH CUSTOM INSERT

PROFESSIONAL SERIES



FEATURES & BENEFITS

- Suitable for wall or island applications
- Three fan speeds
- Auto function senses heat from the cooking surface and adjusts fan speeds
- Built-in 'clean filter' reminder light illuminates after 40 hours of operation
- Delayed shut-off tackles lingering odors for up to 10 minutes
- Dimmer lighting – for a soft lighting effect
- Filter systems are highly efficient at capturing grease

ACCESSORIES (OPTIONAL)

25 ft. Blower Connector Cable - EXTNCB25

For use with the following Inline and Remote Blowers: VTR630P, VTR1030P, VTR1330P, VTI610P, VTI1010P

Custom Hood Liner NOTE: VCIN Custom Insert models include hood trim pieces. VCIN Custom Insert model installations that do not use the included trims may purchase the liner accessory to complete custom insert installation. Liner accessory adds 8 1/8" to overall width, and 4 1/8" to overall depth of appliance. See dimensional line drawings for more information.	LINER248
Remote Control Panel	VCI2REMKS
Roofplates RFPLT600P - For use with 600 CFM Remote Blower VTR630P RFPLT1000P - For use with 1000 CFM Remote Blower VTR1030P and 1300 CFM Blower VTR1330P	
8" Wall Cap	WC8
10" Wall Cap	WC10
Roof Jack and Transition	RJ310



Remote Control Panel

GENERAL PROPERTIES

Operating Mode	Ducted
Number of Speed Settings	3-Stage
Motor Location	N/A
Number of Lights	4
Bulb Type	40 W - G9 Base
Total Power of the Lamps (W)	40 W
Damper Included	Yes
Grease Filter Material	Washable Stainless Steel
Grease Filter Type	Stainless-Steel Commercial Style Baffle Filter

TECHNICAL DETAILS

Watts (W)	1,020 W
Current (A)	15 A
Volts (V)	120 V
Frequency (Hz)	60 Hz
Plug Type	Fixed Connection
Power Cord / Conduit Length (in)	Direct Wire at Junction Box

DIMENSIONS & WEIGHT

Overall Appliance Dimensions (Width of Canopy Included) (HxWxD) (in)	12 13/16" x 45 3/4" x 22"
Required Distance Above Cooktop/Range Cooking Surface	30" Electric / 30" Gas
Diameter of Air Duct (in.) Top	10"
Net Weight (lbs)	65 lbs

ACCESSORIES (REQUIRED)

Blower (Sold Separately)

BLOWER OPTIONS

Remote Blowers (Mounted to Roof or External Wall)	VTR630P - 600 CFM
	VTR1030P - 1000 CFM
	VTR1330P - 1300 CFM
Inline Blowers (Mounted Between Kitchen and External Wall)	VTI610P - 600 CFM
	VTI1010P - 1000 CFM
Integrated Blower (Mounted in Hood)	VTN630N - 600 CFM
	VTN1030N - 1000 CFM

WARRANTY

Limited Warranty Parts and Labor	2 Year
----------------------------------	--------

VCIN48JP

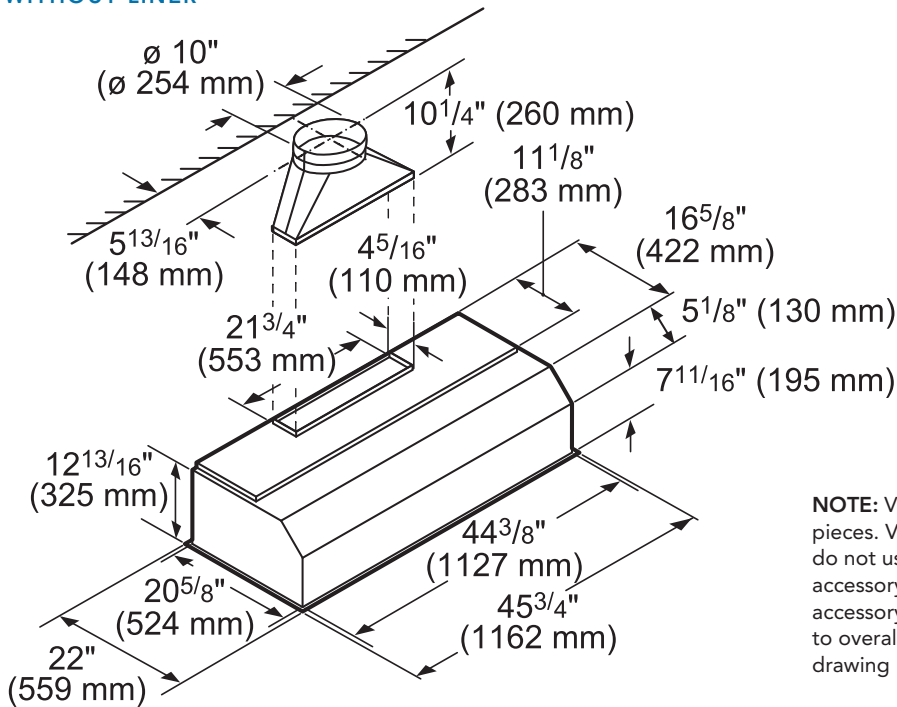
48-INCH CUSTOM INSERT

PROFESSIONAL SERIES



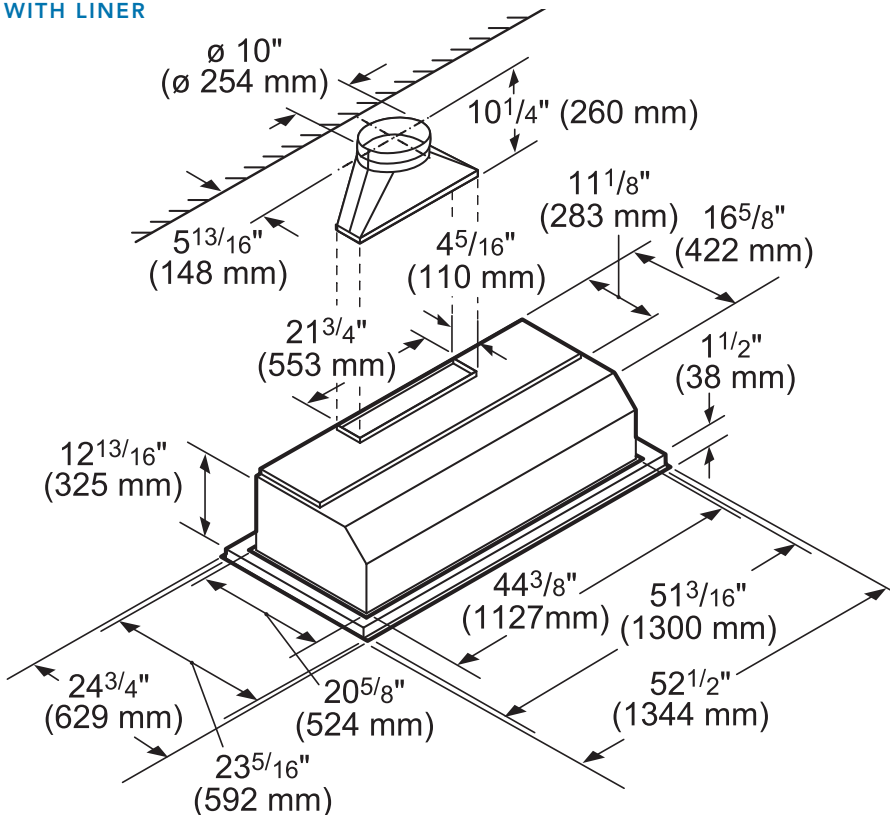
HOOD DIMENSIONS

WITHOUT LINER



NOTE: VCIN Custom Insert models include hood trim pieces. VCIN Custom Insert model installations that do not use the included trims may purchase the liner accessory to complete custom insert installation. Liner accessory adds 8 1/8" to overall width, and 4 1/8" to overall depth of appliance. See dimensional line drawing "WITH LINER" for more information.

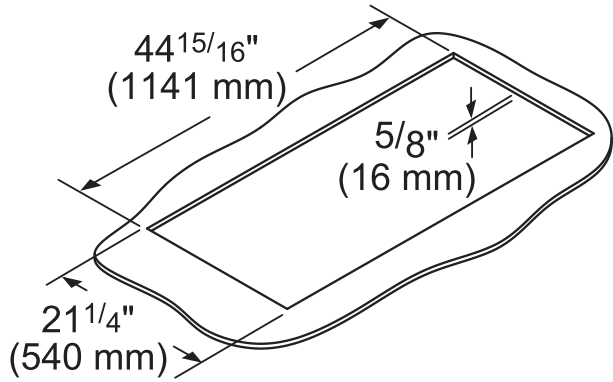
WITH LINER



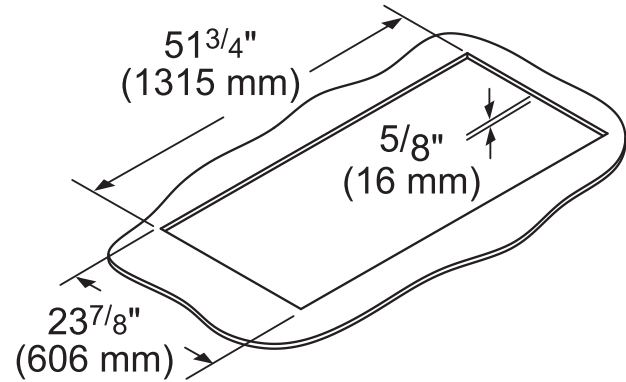
VCIN48JP
48-INCH CUSTOM INSERT
 PROFESSIONAL SERIES



CUTOUT FOR INSERT WITHOUT LINER ACCESSORY



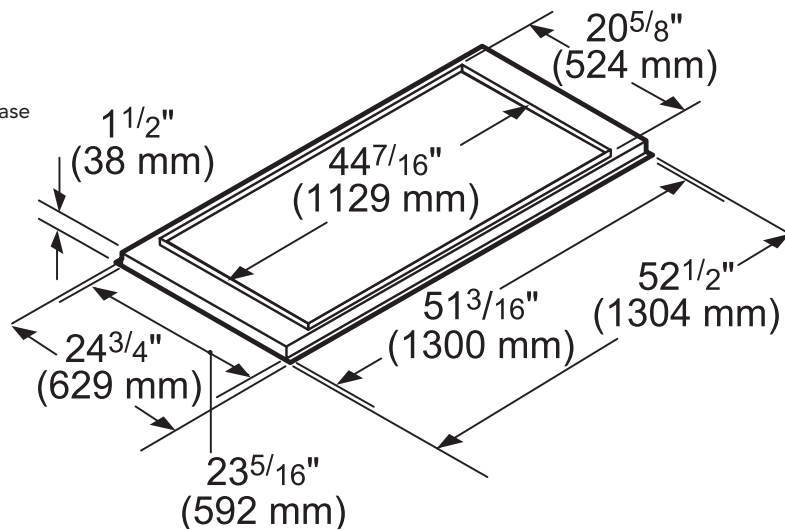
CUTOUT FOR INSERT WITH LINER ACCESSORY LINER248



OPTIONAL ACCESSORIES

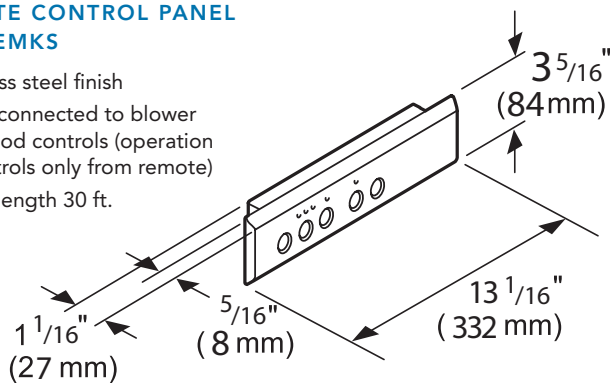
**CUSTOM HOOD LINER-
 LINER248**

- Stainless steel custom hood liner protects the exterior base of custom insert



**REMOTE CONTROL PANEL
 VCI2REMKS**

- Stainless steel finish
- Cable-connected to blower and hood controls (operation of controls only from remote)
- Cable length 30 ft.



measurements in inches and mm

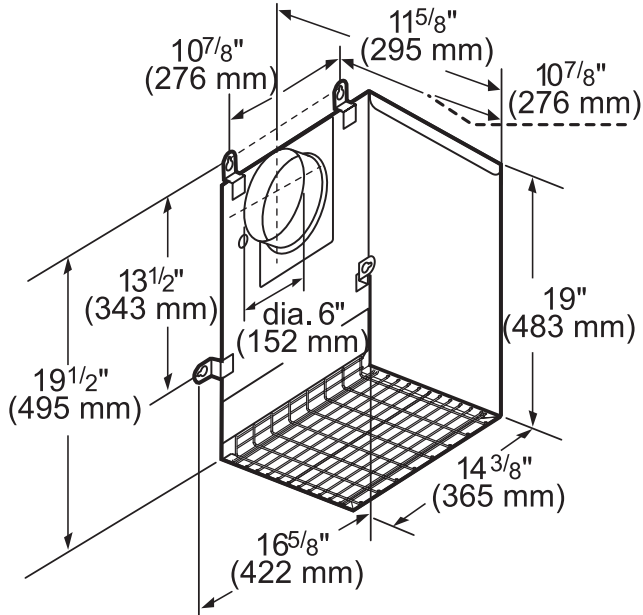
VCIN48JP
48-INCH CUSTOM INSERT
 PROFESSIONAL SERIES



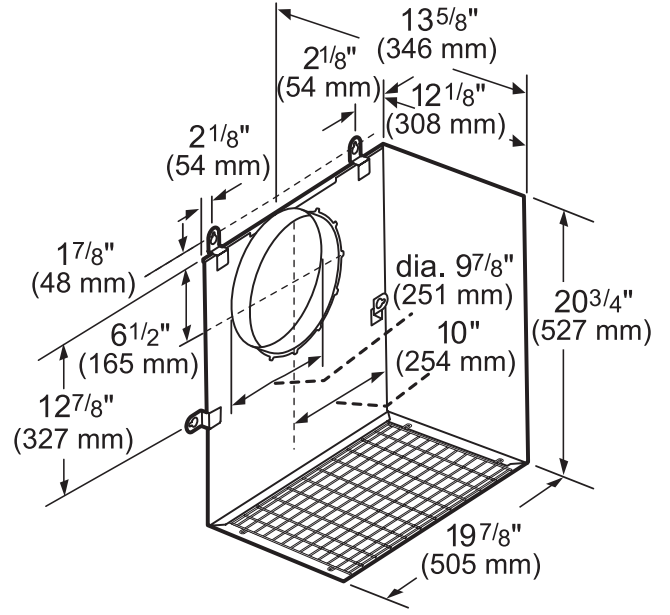
REMOTE BLOWERS (MOUNTED TO ROOF OR EXTERNAL WALL)

VTR630P-600 CFM

VTR1030P-1000 CFM

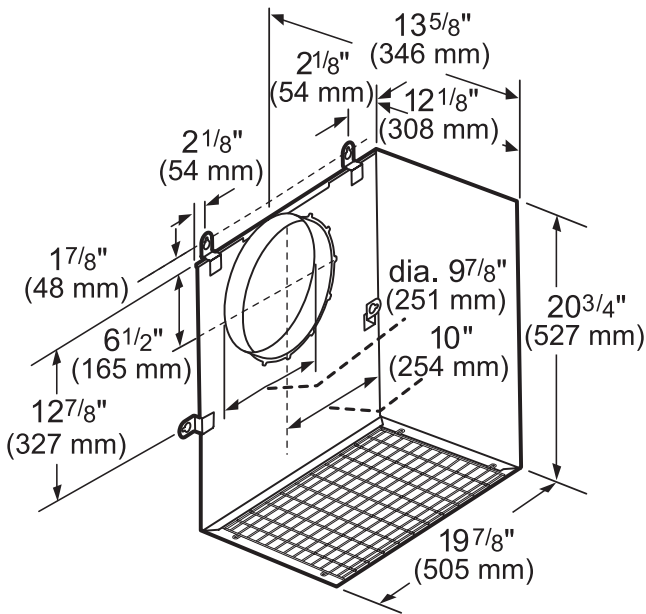


measurements in inches and mm



measurements in inches and mm

VTR1330P-1300 CFM



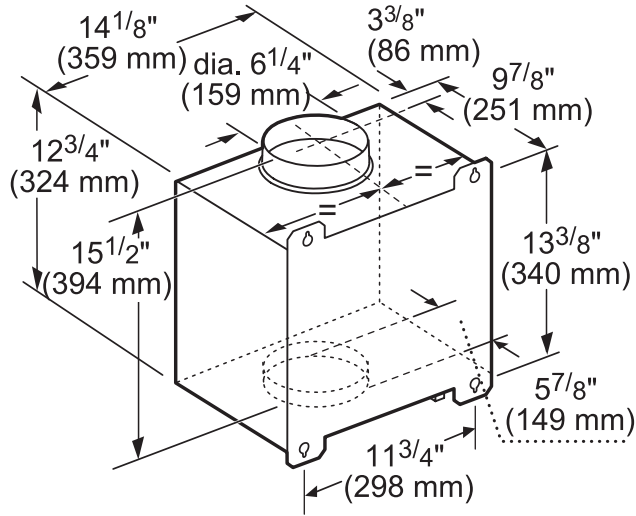
measurements in inches and mm

VCIN48JP
48-INCH CUSTOM INSERT
 PROFESSIONAL SERIES



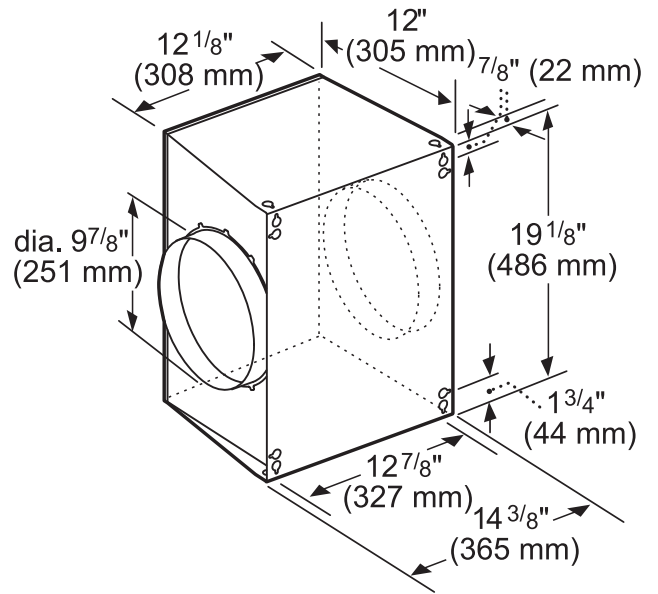
INLINE BLOWERS (MOUNTED BETWEEN KITCHEN AND EXTERNAL WALL)

VTI610P-600 CFM



measurements in inches and mm

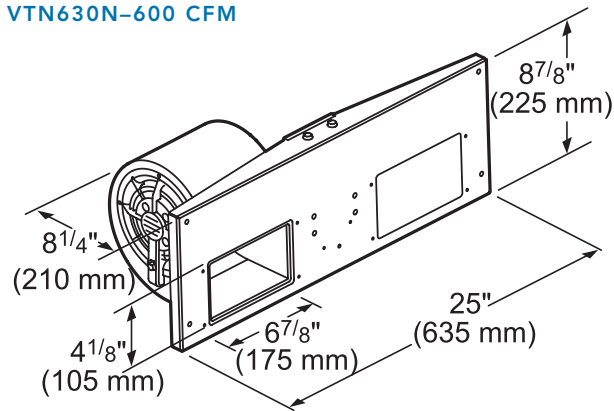
VTI1010P-1000 CFM



measurements in inches and mm

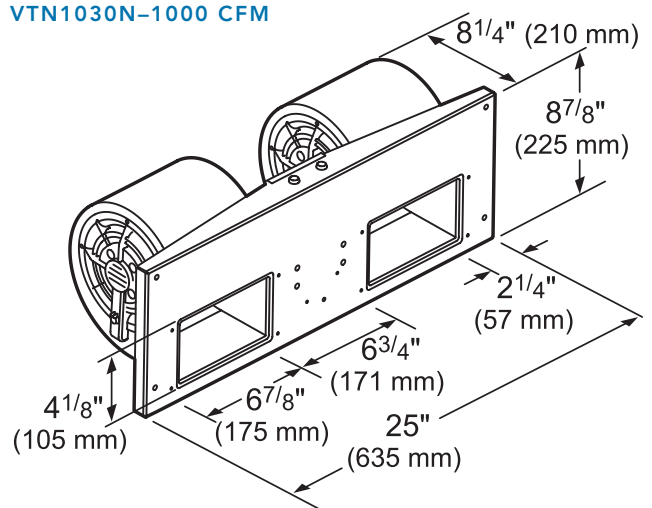
INTEGRATED BLOWERS (MOUNTED IN HOOD)

VTN630N-600 CFM



measurements in inches and mm

VTN1030N-1000 CFM

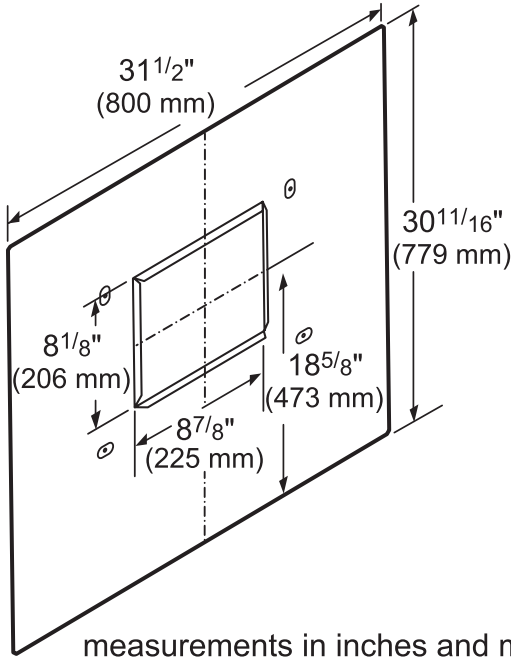


VCIN48JP
48-INCH CUSTOM INSERT
PROFESSIONAL SERIES

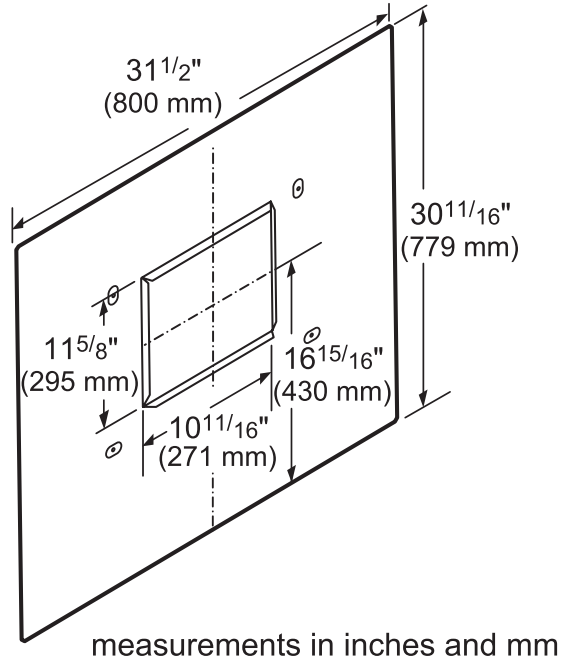


REMOTE BLOWER ACCESSORIES

ROOFPLATE-RFPLT600P



ROOFPLATE-RFPLT1000P

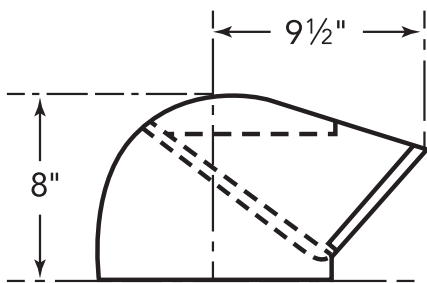


EXTNCB25

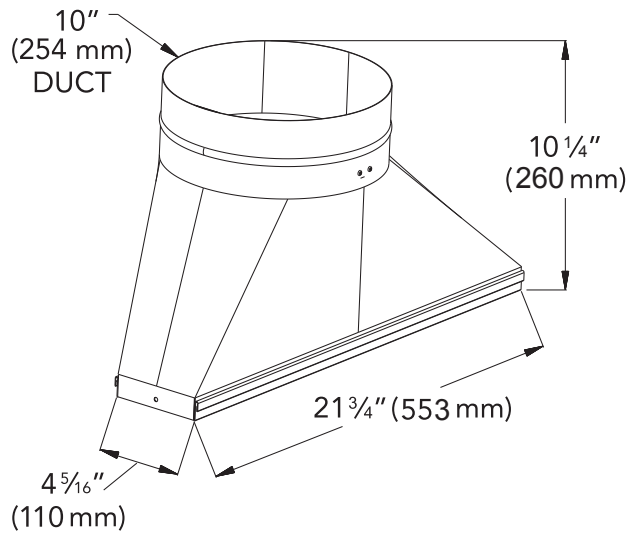
25 ft. Blower Connector Cable for use with the following Inline and Remote blowers: VTR630P, VTR1030P, VTR1330P, VT1610P, VT11010P

ROOF JACK & TRANSITION

ROOF JACK-RJ310



TRANSITION

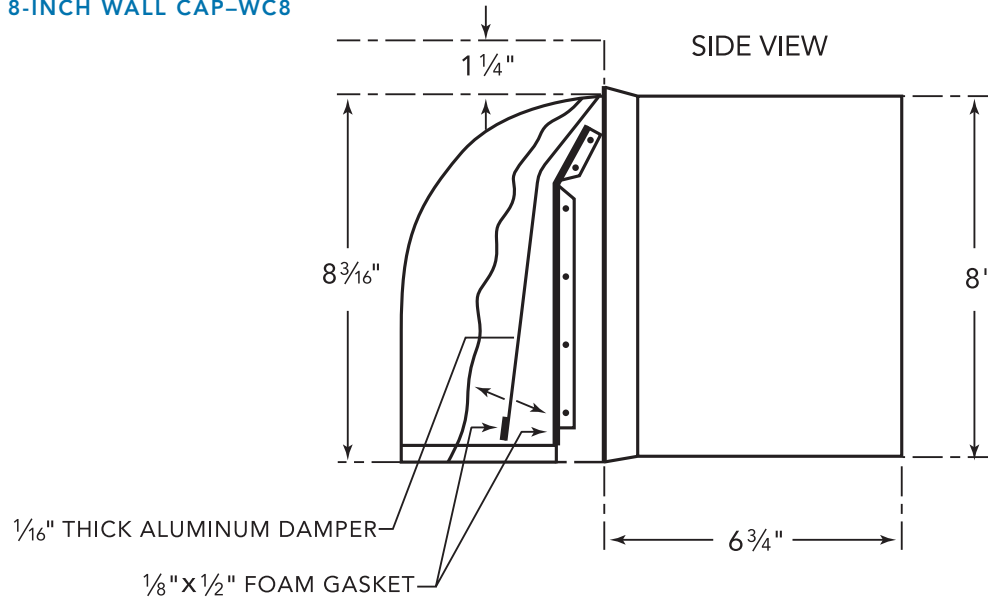


VCIN48JP
48-INCH CUSTOM INSERT
 PROFESSIONAL SERIES

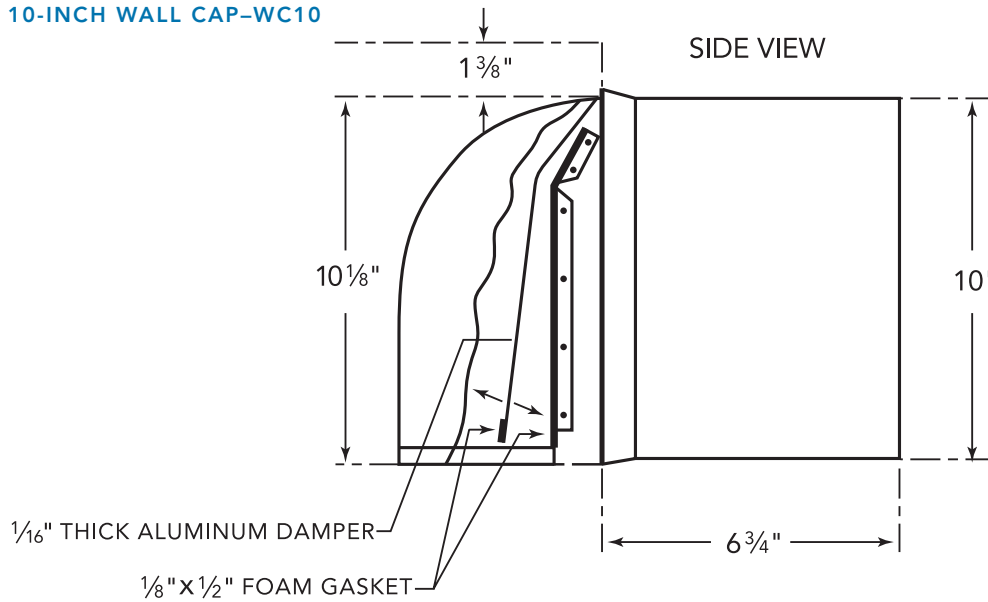


WALL CAPS

8-INCH WALL CAP-WC8



10-INCH WALL CAP-WC10



These warranties give you specific legal rights and you may have other rights that vary from state to state. Full warranty and limited warranty from date of installation. For complete warranty details, refer to your Use & Care manual, or ask your dealer.

Specifications are for planning purposes only. Refer to installation instructions and consult your countertop supplier prior to making counter opening. Consult with a heating and ventilation engineer for your specific ventilation requirements. For the most detailed information, refer to installation instructions accompanying product or write to Thermador indicating the model number. Specifications are correct at time of printing. Thermador reserves the right to change product specifications or design without notice. Some models are certified for use in Canada. Thermador is not responsible for products that are transported from the U.S. for use in Canada.