

# VCI248DS

## 48-INCH CUSTOM INSERT

MASTERPIECE® SERIES



### FEATURES & BENEFITS

- Suitable for wall or island applications
- Three fan speeds
- Built-in 'clean filter' reminder light illuminates after 40 hours of operation
- Delayed shut-off tackles lingering odors for up to 10 minutes
- Powerfully quiet® ventilation systems

### ACCESSORIES (OPTIONAL)

25 ft. Blower Connector Cable - EXTNCB25W  
 3-Pc Extension Adaptor Set - EXTNSET4

For use with the following Inline and Remote Blowers:  
 VTR630W, VTR1030W, VTR1330W, VTI610W, VTI1010W  
 (Inline blowers are also used as an integral solution)

Custom Hood Liner	LINER48
48" Baffle Filter	BAFFLT48

#### Roofplates

RFPLT600P - For use with 600 CFM Remote Blower VTR630W

RFPLT1000P - For use with 1000 CFM Remote Blower  
 VTR1030W and 1300 CFM Blower VTR1330W



Baffle Filters

### GENERAL PROPERTIES

Operating Mode	Ducted
Number of Speed Settings	3-Stage
Motor Location	N/A
Number of Lights	4
Bulb Type	20 W - G4 Base
Total Power of the Lamps (W)	20 W
Damper Included	No
Grease Filter Material	Washable Synthetic
Grease Filter Type	Mesh

### TECHNICAL DETAILS

Watts (W)	80 W
Current (A)	15 A
Volts (V)	120 V
Frequency (Hz)	60 Hz
Plug Type	120V-3 Prong
Power Cord / Conduit Length (in)	51 1/8"

### DIMENSIONS & WEIGHT

Overall Appliance Dimensions (Width of Canopy Included) (HxWxD) (in)	5 3/4" x 43 5/8" x 18 5/8"
Minimum Required Distance Above Gas / Electric Cooking Surface	30" Electric / 30" Gas
Diameter of Air Duct (in.) Top	10"
Net Weight (lbs)	32 lbs

### ACCESSORIES (REQUIRED)

Blower (Sold Separately)

### BLOWER OPTIONS

Remote Blowers (Mounted to Roof or External Wall)	VTR630W - 600 CFM
	VTR1030W - 1000 CFM
	VTR1330W - 1300 CFM
Inline Blowers (Mounted Between Kitchen and External Wall)	VTI610W - 600 CFM
	VTI1010W - 1000 CFM
Integrated Blower (Mounted in Hood)	VTI610W* - 600 CFM
	VTI1010W* - 1000 CFM

### WARRANTY

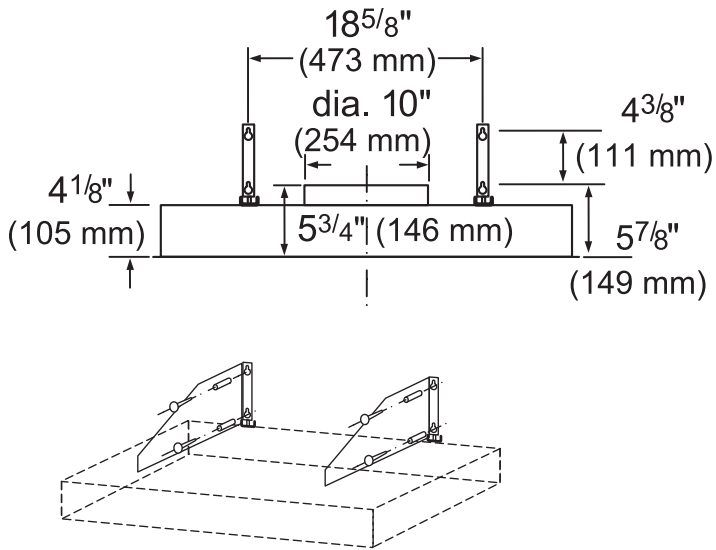
Limited Warranty Parts and Labor	2 Year
----------------------------------	--------

\*Inline blower can be used as an integrated solution. Refer to installation manual for details.

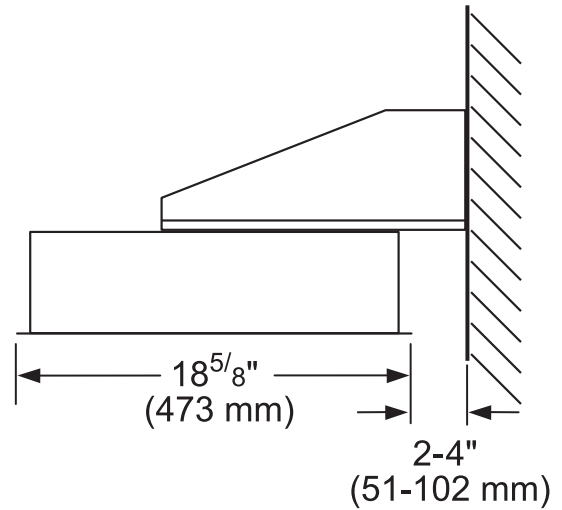
**VCI248DS**  
**48-INCH CUSTOM INSERT**  
 MASTERPIECE® SERIES



**HOOD DIMENSIONS**

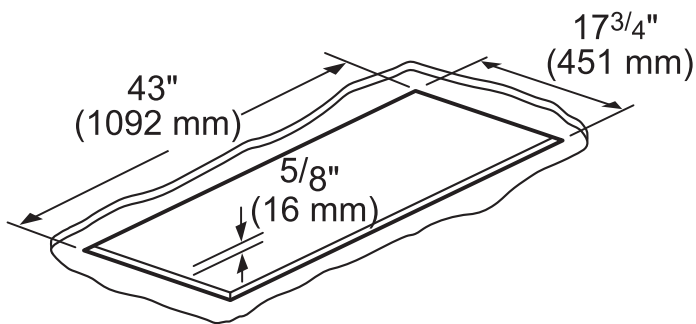


measurements in inches and mm



measurements in inches and mm

**CUTOUT FOR INSERT WITHOUT LINER ACCESSORY**



# VCI248DS

## 48-INCH CUSTOM INSERT

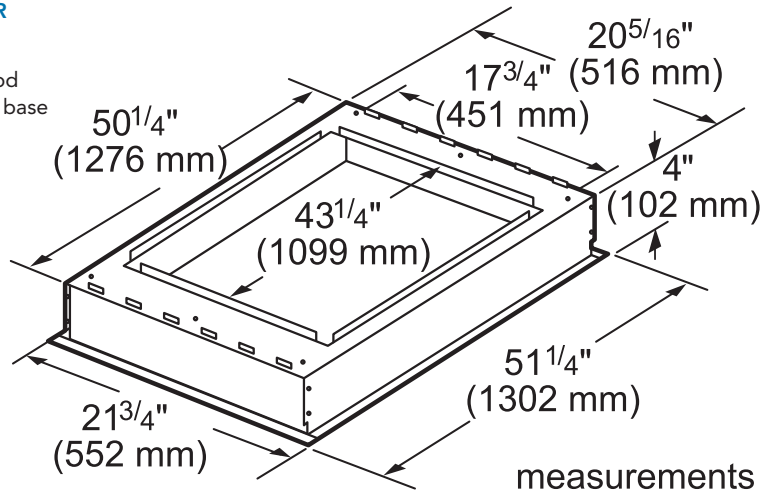
MASTERPIECE® SERIES



### OPTIONAL ACCESSORIES

#### CUSTOM HOOD LINER LINER48

- Stainless steel custom hood liner protects the exterior base of custom insert



#### BAFFLE FILTER BAFFLT48 48" WIDE

- Stainless steel finish
- Unique low profile design maximizes grease capture
- Dishwasher-safe for easy cleanup

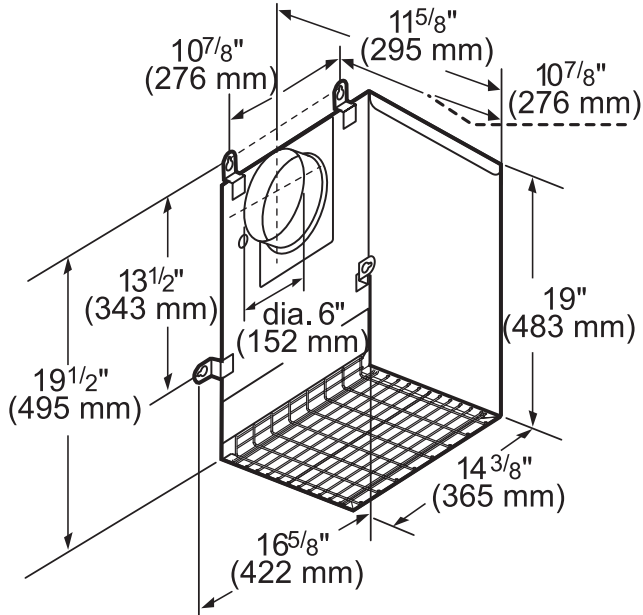
**VCI248DS**  
**48-INCH CUSTOM INSERT**  
 MASTERPIECE® SERIES



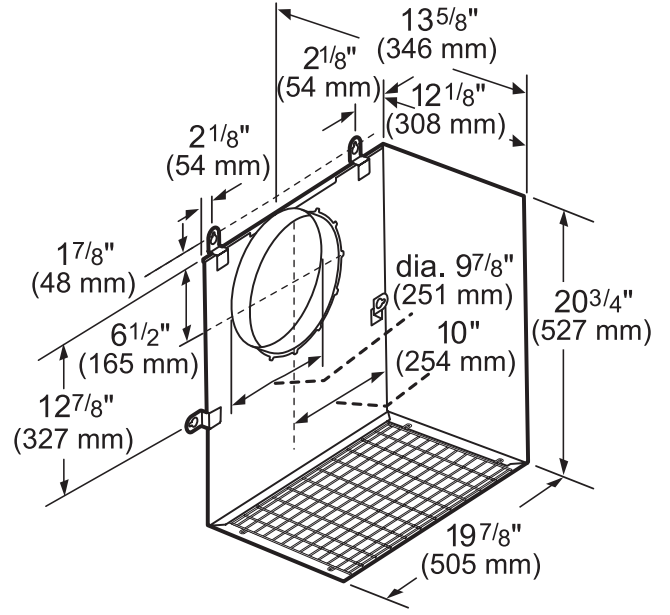
REMOTE BLOWERS (MOUNTED TO ROOF OR EXTERNAL WALL)

VTR630W-600 CFM

VTR1030W-1000 CFM

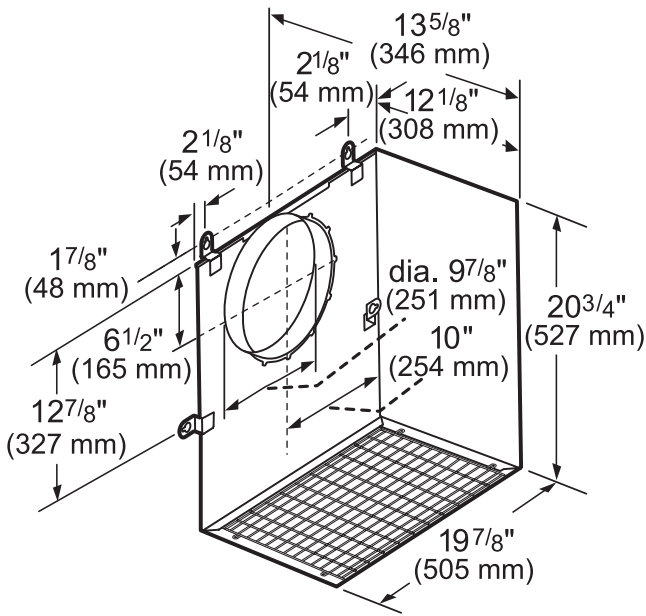


measurements in inches and mm



measurements in inches and mm

VTR1330W-1300 CFM



measurements in inches and mm

# VCI248DS

## 48-INCH CUSTOM INSERT

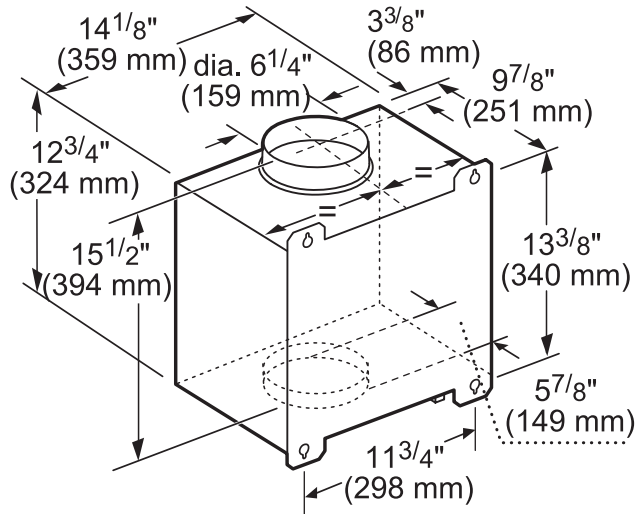
MASTERPIECE® SERIES



### INLINE BLOWERS (MOUNTED BETWEEN KITCHEN AND EXTERNAL WALL)

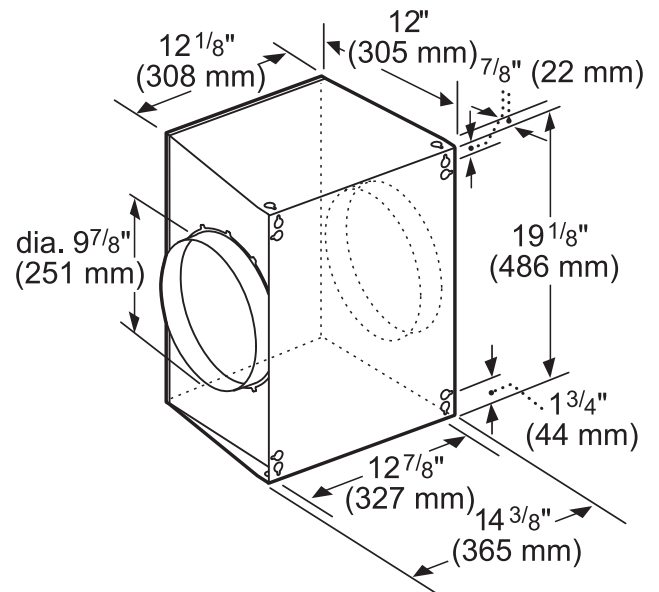
\*Inline blower can be used as an integrated solution. Refer to installation manual for details.

#### VTI610W-600 CFM



measurements in inches and mm

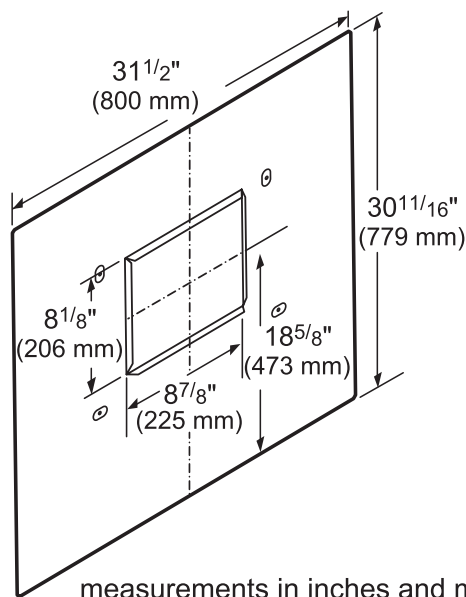
#### VTI1010W-1000 CFM



measurements in inches and mm

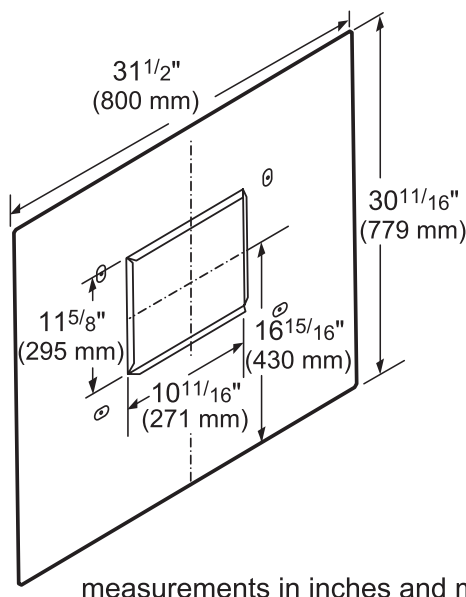
### REMOTE BLOWER ACCESSORIES

#### ROOFPLATE-RFPLT600P



measurements in inches and mm

#### ROOFPLATE-RFPLT1000P



measurements in inches and mm

#### EXTNCB25W

25 ft. Blower Connector Cable for use with the following Inline and Remote blowers: VTR630W, VTR1030W, VTR1330W, VTI610W, VTI1010W

These warranties give you specific legal rights and you may have other rights that vary from state to state. Full warranty and limited warranty from date of installation. For complete warranty details, refer to your Use & Care manual, or ask your dealer.

Specifications are for planning purposes only. Refer to installation instructions and consult your countertop supplier prior to making counter opening. Consult with a heating and ventilation engineer for your specific ventilation requirements. For the most detailed information, refer to installation instructions accompanying product or write to Thermador indicating the model number. Specifications are correct at time of printing. Thermador reserves the right to change product specifications or design without notice. Some models are certified for use in Canada. Thermador is not responsible for products that are transported from the U.S. for use in Canada.