

30" Double Wall Oven

500 Series – Stainless Steel HBL5651UC



HBL5651UC
Stainless Steel

The Bosch wall oven features Convection Multi-Rack and heavy metal stainless steel knobs.

Features & Benefits

Convection Multi-Rack combines a third heating element with a back fan for even browning and time savings by using multiple racks at one time.

Heavy-duty metal knobs offer a premium European feel.

Bosch wall ovens are compatible with most competitors' cutouts.

The wall oven is designed to be installed flush with cabinetry.

General Properties

| | |
|--|--|
| Oven modes – upper cavity | Bake, Variable Broil (hi & low), Roast, Warm, Sabbath, Proof Dough, Convection Bake, Convection Broil, Convection Roast, Pizza, Convection Multi-Rack, Convection Conversion |
| Oven modes – lower cavity | Bake, Variable Broil (hi & low), Roast, Warm, Sabbath |
| Cleaning type – upper & lower cavity | Self Clean |
| Telescopic rack | 0 |
| Illumination type – upper & lower cavity | Halogen |
| Interior lights – upper cavity | 1 |
| Interior lights – lower cavity | 1 |

Oven Performance

| | |
|---|-----------------|
| Bake / Broil element – upper & lower cavity | 2,400 / 3,800 W |
| Convection element – upper cavity | 2,000 W |



Technical Details

| | |
|-----------------------------------|--------------------------------|
| Watts | 8,455 W |
| Volts, Frequency, Circuit breaker | 240 / 208 V, 60 Hz, 40 A |
| Power cord length; Plug type | 60"; Fixed connection, no plug |
| Energy source | Electric |

Dimensions & Weight

| | |
|--|---------------------------------------|
| Overall appliance dimensions (HxWxD) | 52 1/16" x 29 3/4" x 24 1/2" |
| Required cutout size – Standard (HxWxD) | 49 3/4" – 51 1/2" x 28 1/2" x 23 1/2" |
| Required cutout size – Flush (HxWxD) | 52 3/16" x 30" x 24 1/2" |
| Oven cavity size | 4.6 cu. ft. |
| Overall oven interior dimensions (HxWxD) | 17 13/16" x 24 1/8" x 18" |
| Usable oven interior dimensions (HxWxD) | 12 5/16" x 23 1/4" x 15 1/4" |
| Net weight | 261 lbs |

Accessories—Included

| | |
|----------|--|
| Included | Upper Oven: 2 Standard Oven Racks Lower Oven: 2 Standard Oven Racks |
|----------|--|

Accessories—Optional



HEZTR301
30" Telescopic Rack



00798845
30" Flat Rack



00449757
Broiler Pan

Accessories: To purchase Bosch accessories, cleaners & parts please visit www.bosch-home.com/us/store or call 1-800-944-2904 (Mon to Fri 5 am to 6 pm PST, Sat 6 am to 3 pm PST).

Notes: All height, width and depth dimensions are shown in inches. BSH reserves the absolute and unrestricted right to change product materials and specifications, at any time, without notice. Consult the product's installation instructions for final dimensional data and other details prior to making cutout.

Warranties: Please see Use & Care manual or Bosch website for statement of limited warranty.

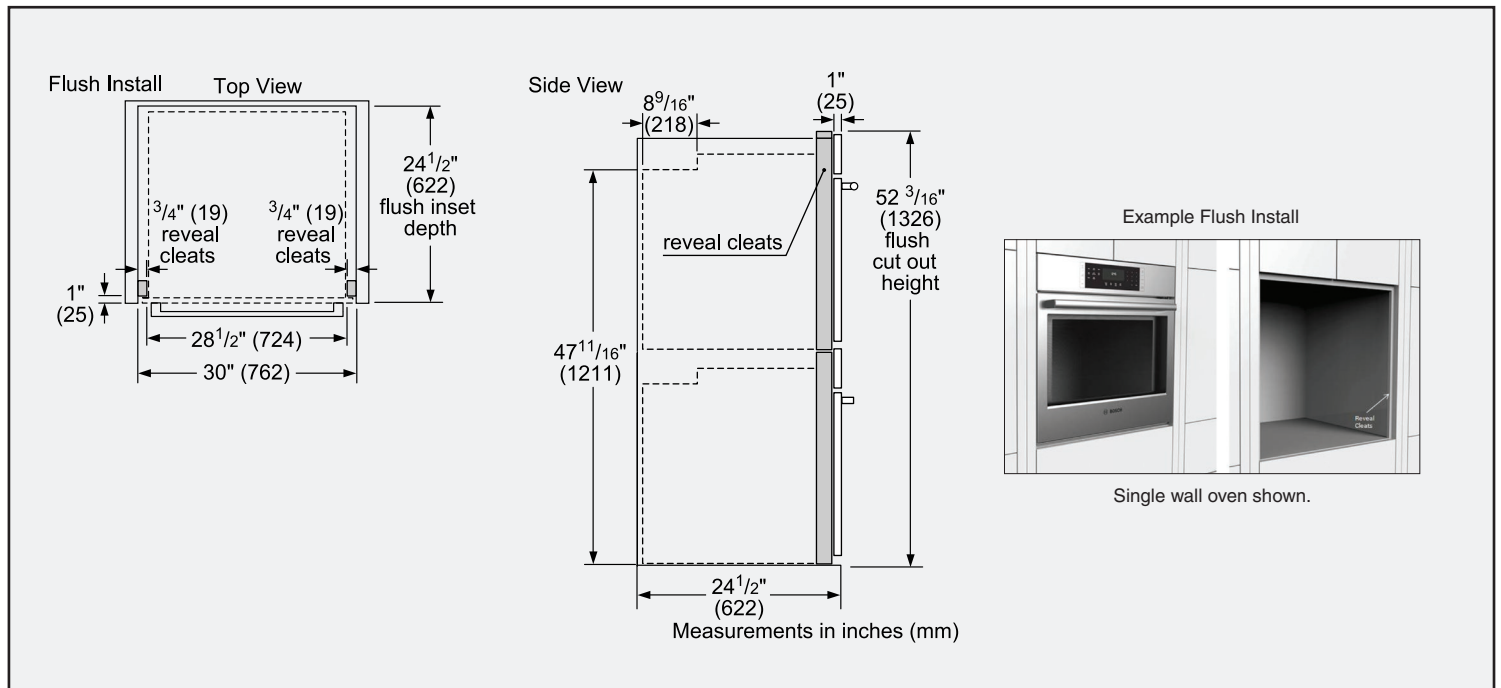
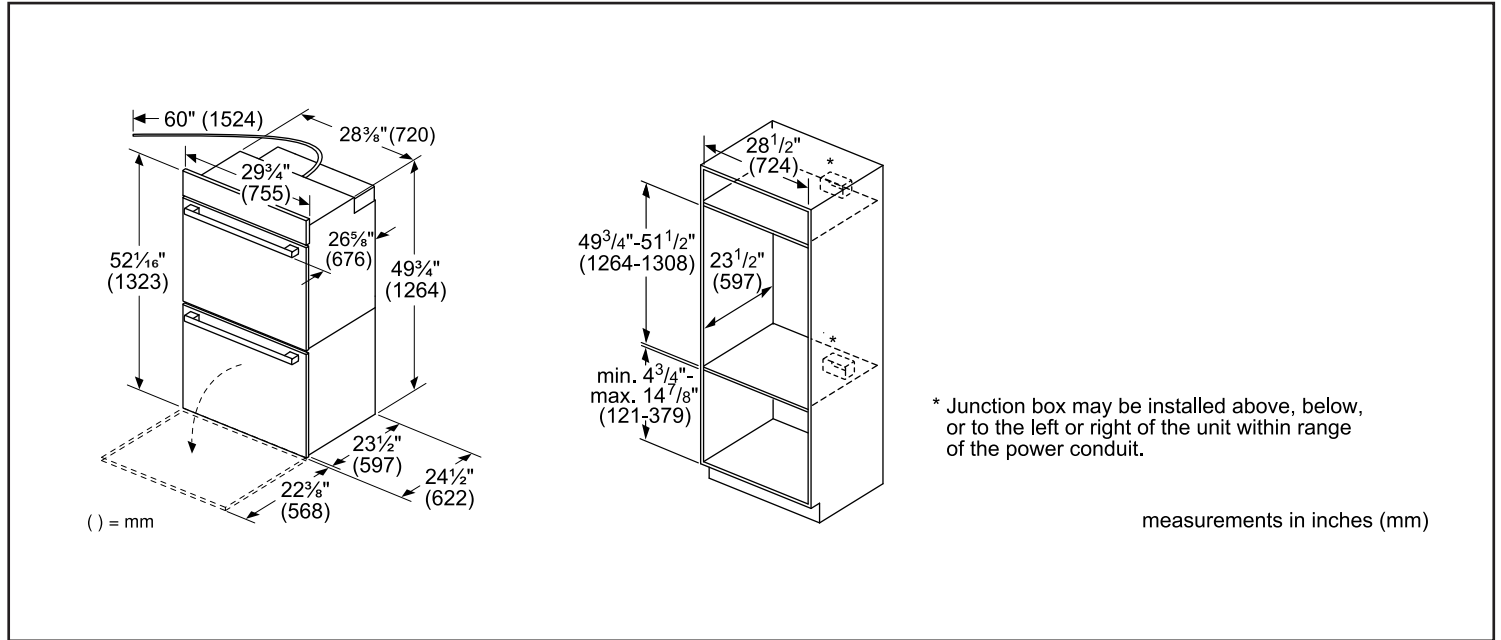
For more information on our entire line of products, go to www.bosch-home.com/us or call 1-800-944-2904

© BSH Home Appliances Corporation. All rights reserved. Bosch is a registered trademark of Robert Bosch GmbH.

30" Double Wall Oven

500 Series – Stainless Steel HBL5651UC

Installation Details



Accessories: To purchase Bosch accessories, cleaners & parts please visit www.bosch-home.com/us/store or call 1-800-944-2904 (Mon to Fri 5 am to 6 pm PST, Sat 6 am to 3 pm PST).

Notes: All height, width and depth dimensions are shown in inches. BSH reserves the absolute and unrestricted right to change product materials and specifications, at any time, without notice. Consult the product's installation instructions for final dimensional data and other details prior to making cutout.

Warranties: Please see Use & Care manual or Bosch website for statement of limited warranty.

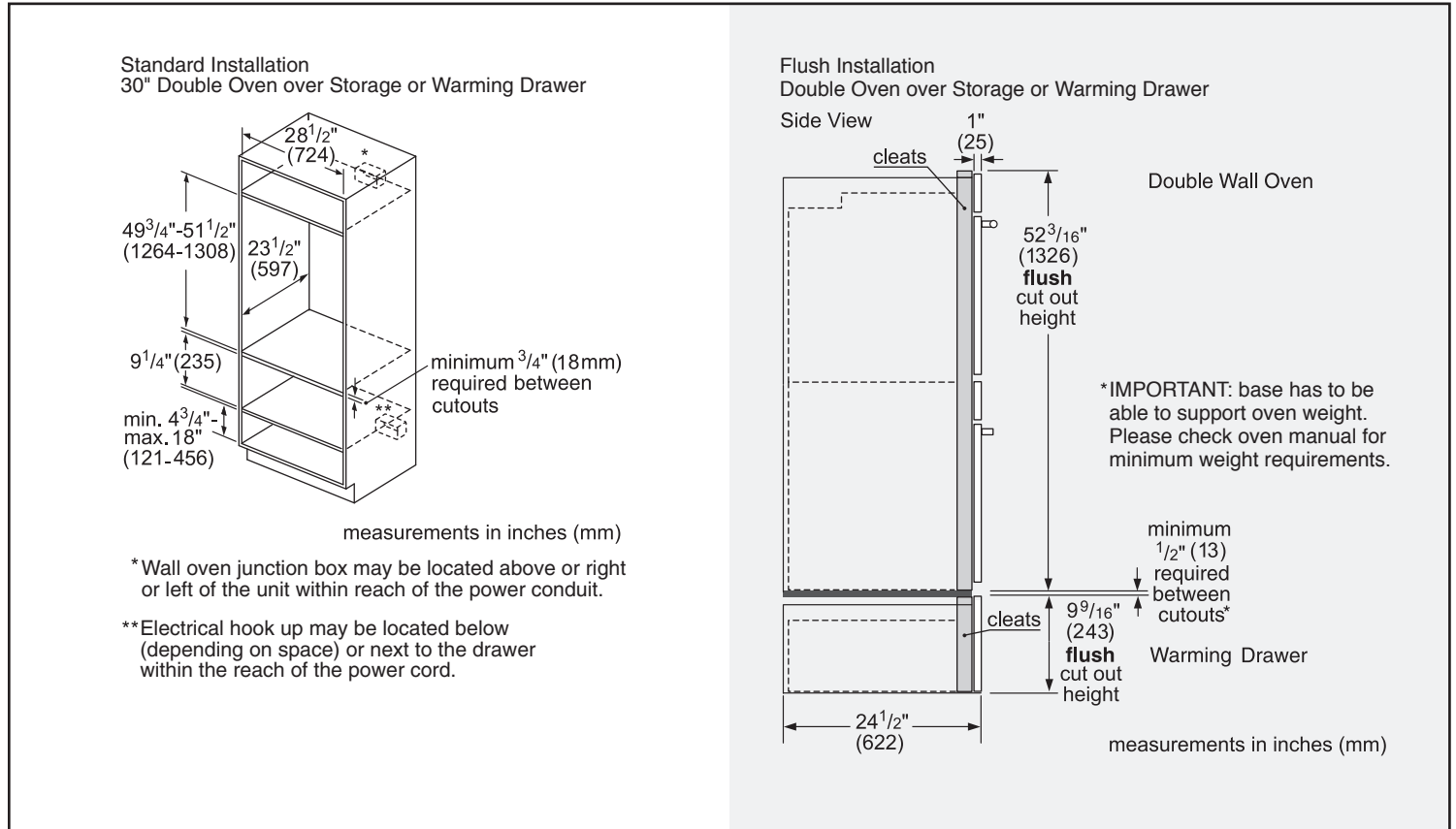
For more information on our entire line of products, go to www.bosch-home.com/us or call 1-800-944-2904

© BSH Home Appliances Corporation. All rights reserved. Bosch is a registered trademark of Robert Bosch GmbH.

30" Double Wall Oven

500 Series – Stainless Steel HBL5651UC

Installation Details



Accessories: To purchase Bosch accessories, cleaners & parts please visit www.bosch-home.com/us/store or call 1-800-944-2904 (Mon to Fri 5 am to 6 pm PST, Sat 6 am to 3 pm PST).

Notes: All height, width and depth dimensions are shown in inches. BSH reserves the absolute and unrestricted right to change product materials and specifications, at any time, without notice. Consult the product's installation instructions for final dimensional data and other details prior to making cutout.

Warranties: Please see Use & Care manual or Bosch website for statement of limited warranty.

For more information on our entire line of products, go to www.bosch-home.com/us or call 1-800-944-2904

© BSH Home Appliances Corporation. All rights reserved. Bosch is a registered trademark of Robert Bosch GmbH.