

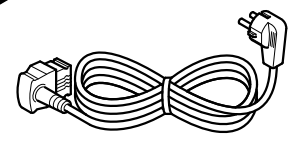
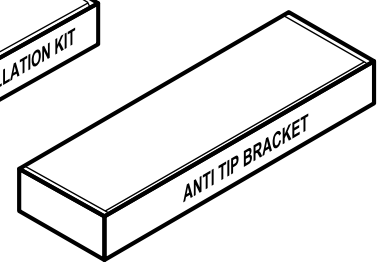
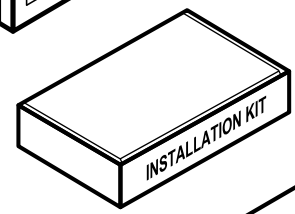
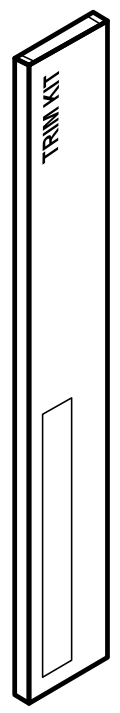
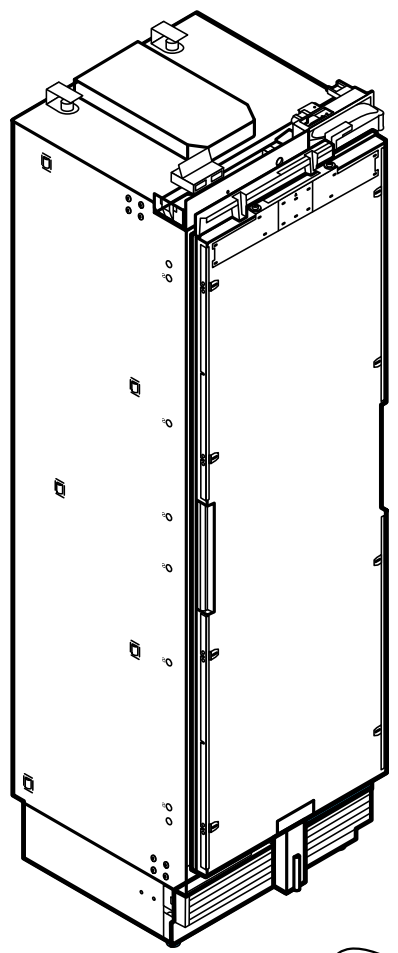
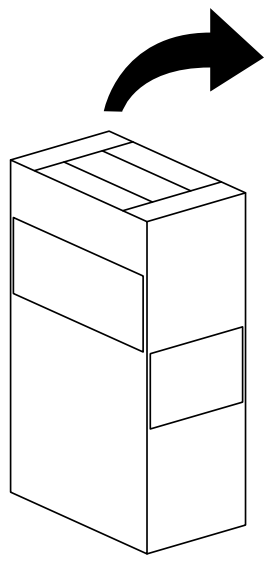


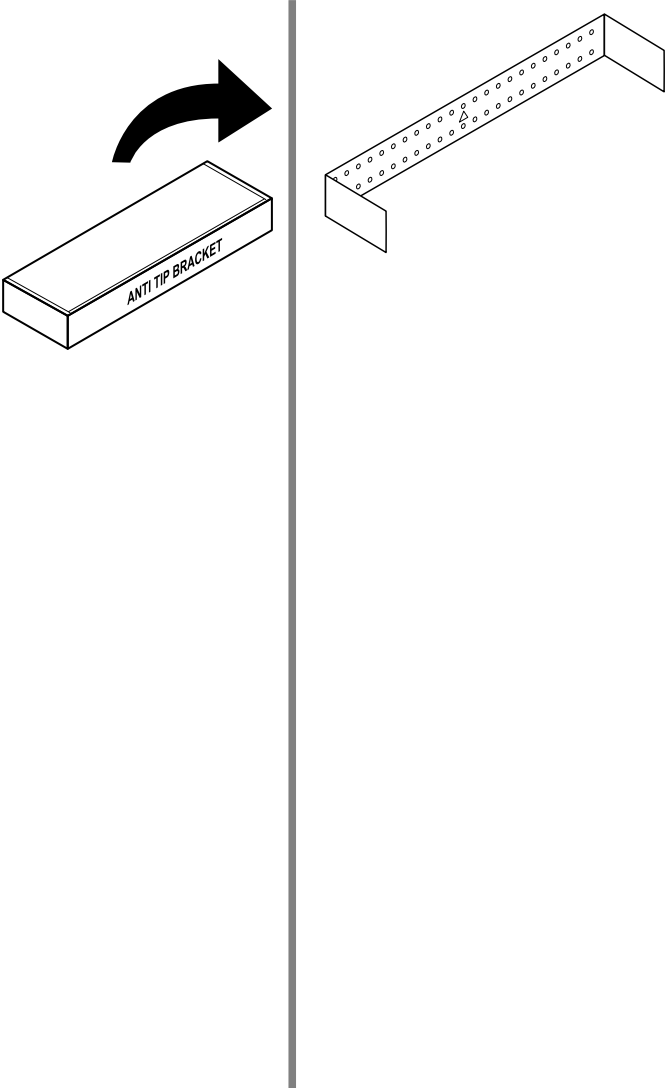
9001982116 (050807)

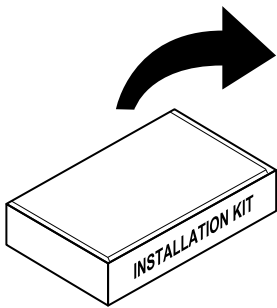


mm

- | | | | |
|--------------|----------------------------|-----------|----------------------------------|
| sq | Udhëzimet e instalimit | ja | 設置説明書 |
| ar | تعليمات التركيب | kk | Орнату нұсқаулықтар |
| az | Quraşdırma təlimatları | ko | 설치 설명서 |
| bg | Инструкции за монтаж | lv | Uzstādīšanas instrukcijas |
| zh | 安装说明 | lt | Įrengimo instrukcijos |
| zh-hk | 安裝說明 | mk | Упатства за инсталирање |
| zh-tw | 安裝說明 | no | Installasjonsveiledning |
| hr | Upute za instalaciju | pl | Instrukcje montażu |
| cs | Pokyny k instalaci | pt | Instruções de instalação |
| da | Installationsvejledning | ro | Instrucțiunile de instalare |
| nl | Installatie-instructies | ru | Инструкция по установке |
| en | Installation instructions | sr | Uputstva za montažu |
| et | Paigaldusjuhised | sk | Pokyny na inštaláciu |
| fi | Asennusohjeet | sl | Navodila za montažo |
| fr | Notice d'installation | es | Instrucciones de montaje |
| ka | ინსტალაციის ინსტრუქციები | sv | Installationsanvisningar |
| de | Montageanleitung | th | คำแนะนำในการติดตั้ง |
| el | Οδηγίες εγκατάστασης | tr | Kurulum talimatları |
| he | הוראות התקנה | uk | Інструкція з монтажу |
| hu | Telepítési útmutató | uz | O'rnatish bo'yicha yo'riqnomalar |
| id | Petunjuk pemasangan | vi | Hướng dẫn lắp đặt |
| it | Istruzioni d'installazione | | |







6x31 M5x60 T20
4x 4x



M4.2x6.5 T20 2x
4x



Torx T 20 Torx T 30
2x
Torx T20
26 mm
1 1/32"



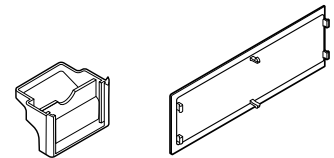
M4x15 T20 8x



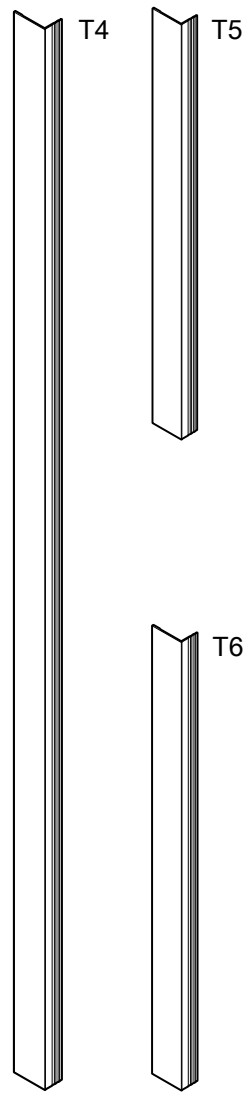
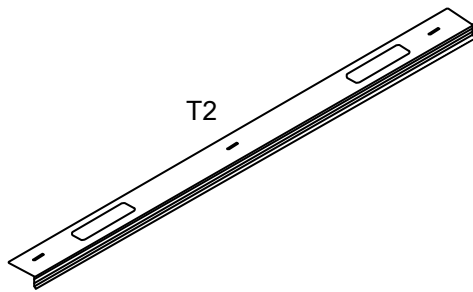
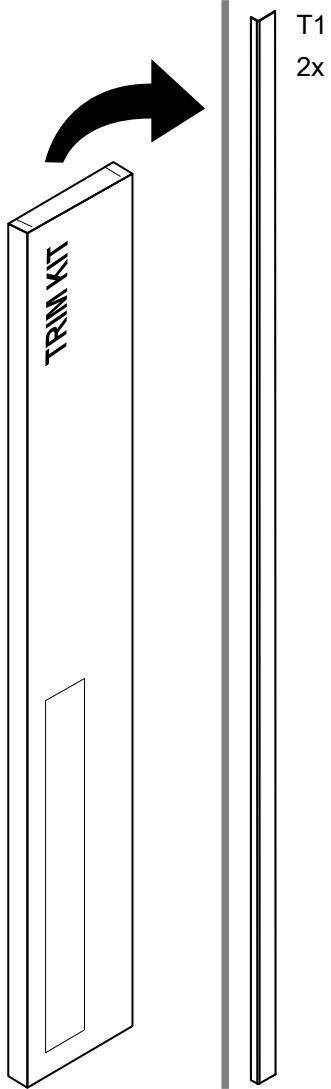
M4x15 T20 39x

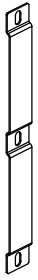
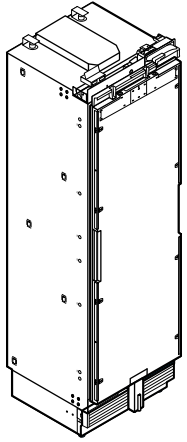


M4x15 T20 2x

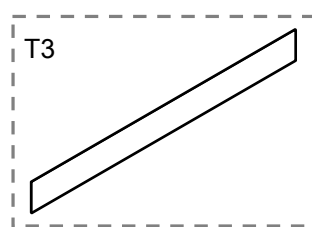
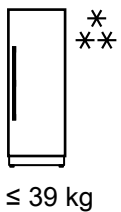
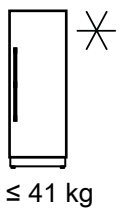
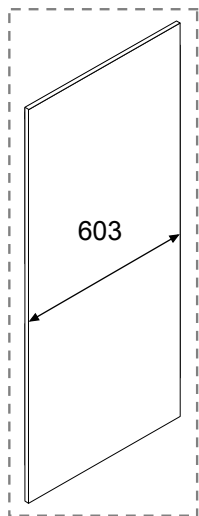
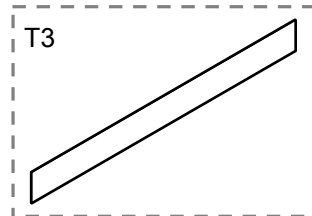
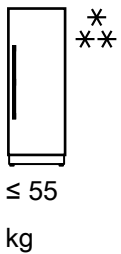
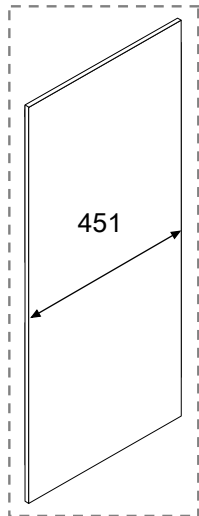


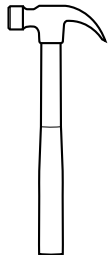
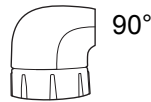
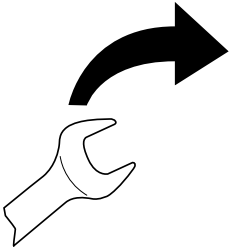
2x



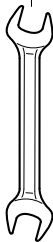


L1
8x





SW13



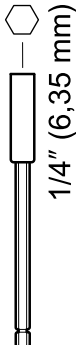
5/16"
(8 mm)



Ø 1/4"
(6 mm)



Ø 1/16"
(2 mm)

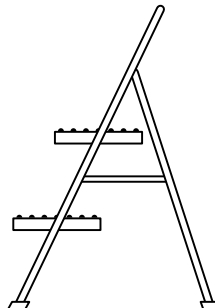
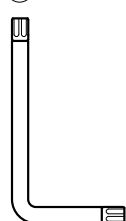


1/4" (6,35 mm)

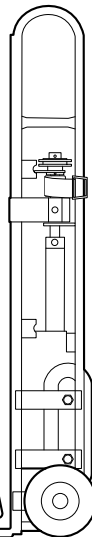
Torx
T 20

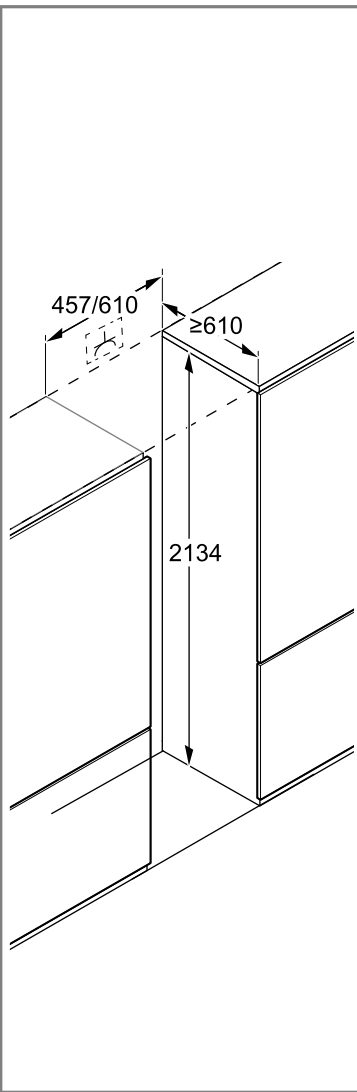
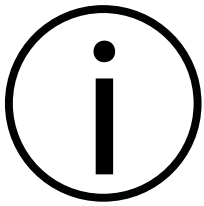
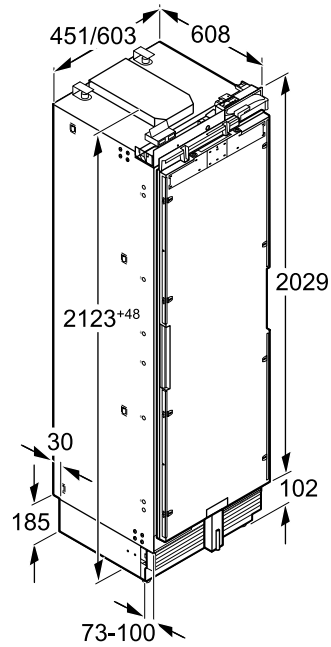
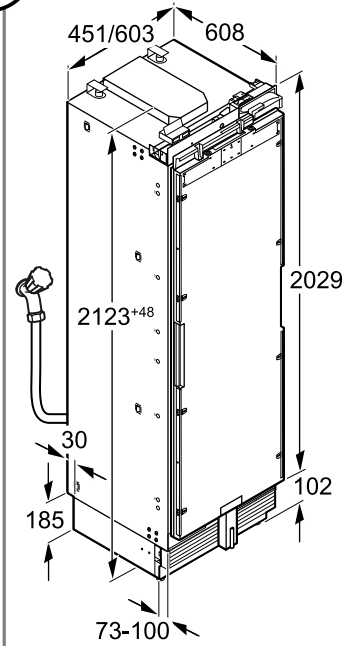


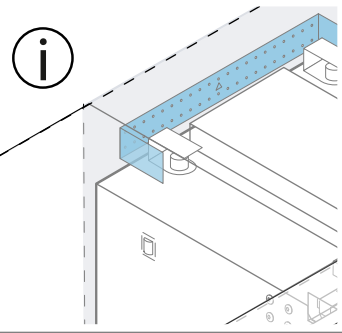
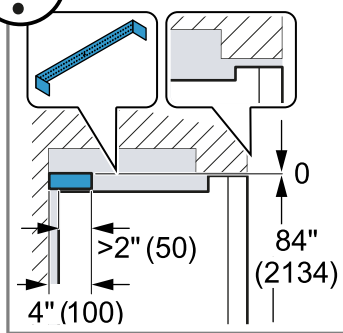
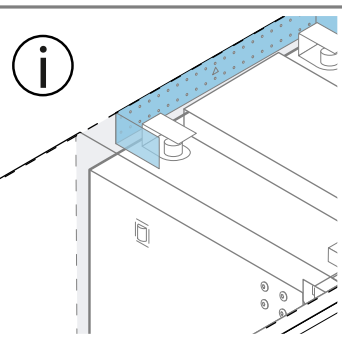
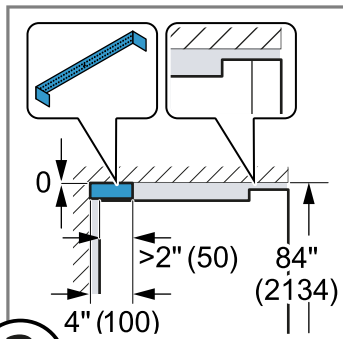
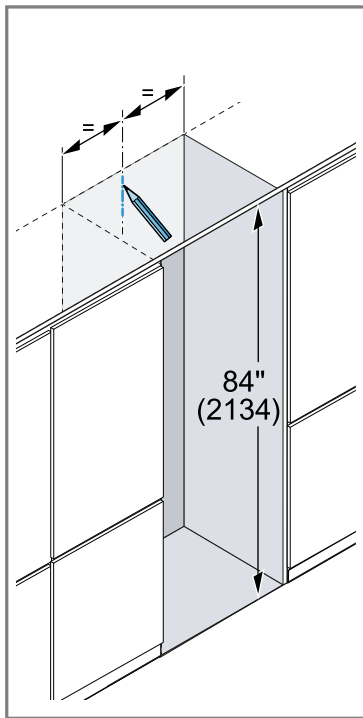
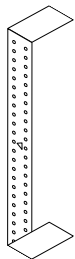
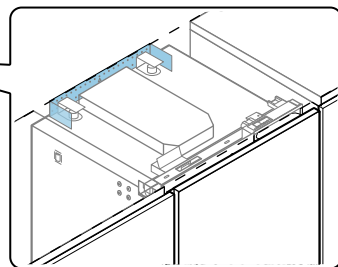
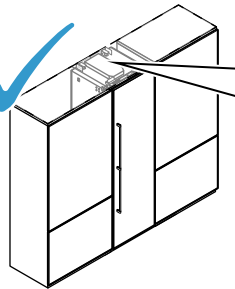
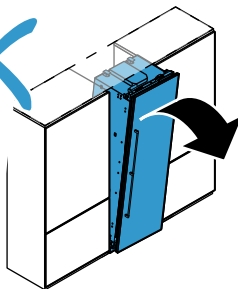
Torx T20

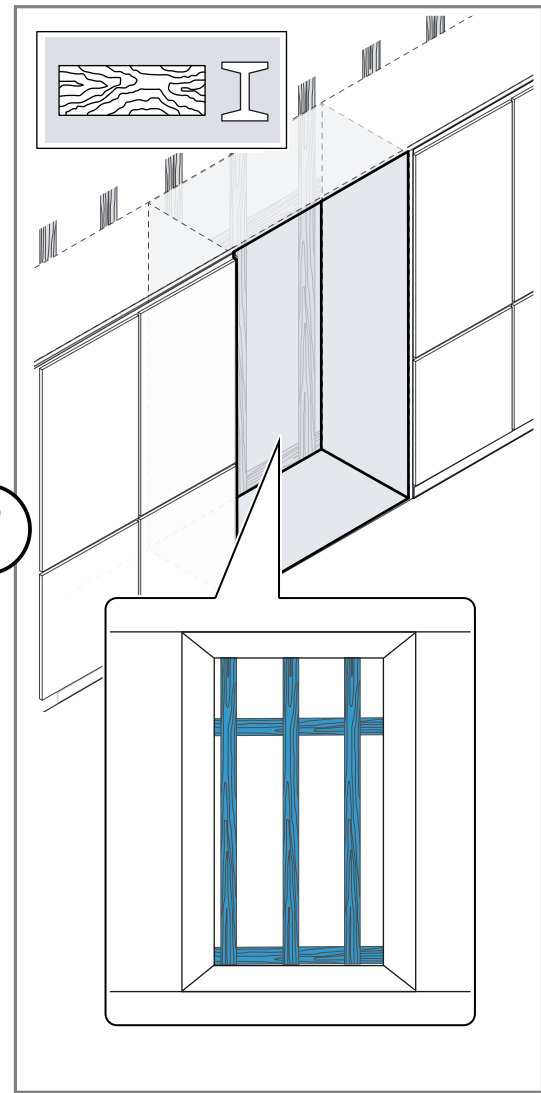
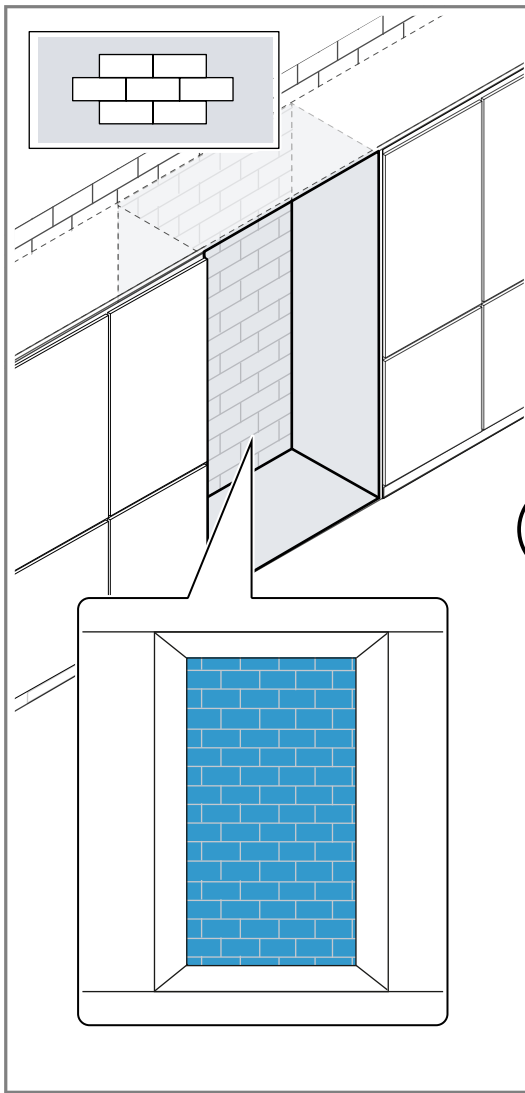
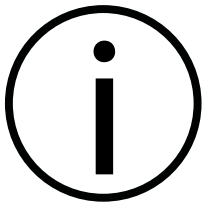


≥ 331 lbs
≥ 150 kg



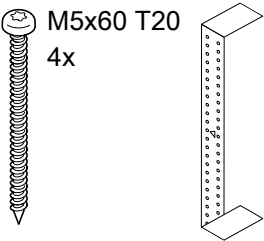
**A****B**



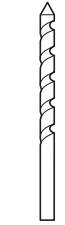




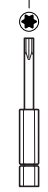
M5x60 T20
4x



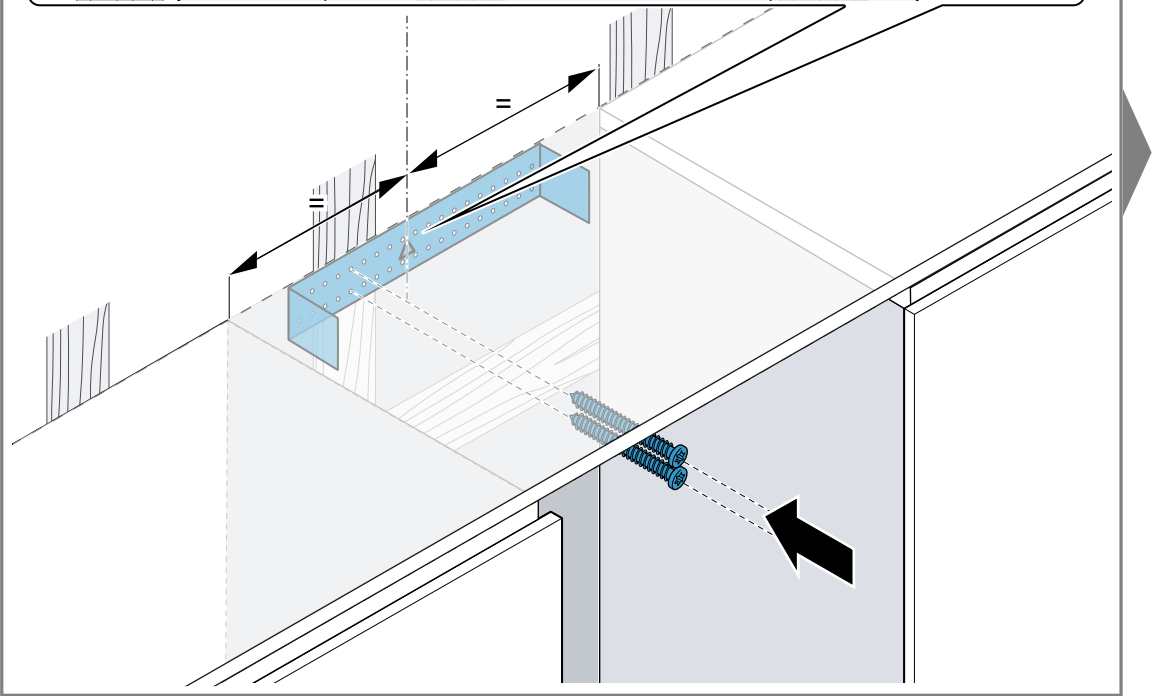
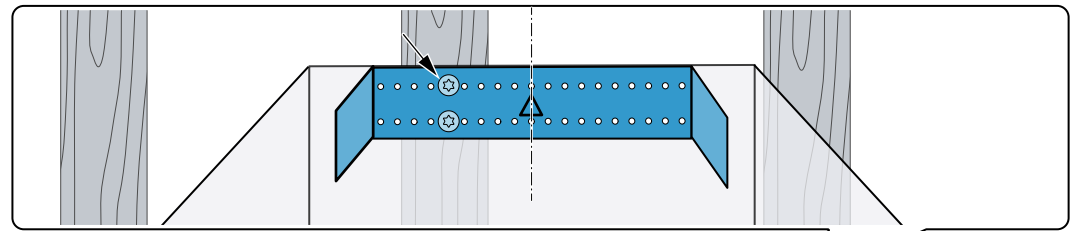
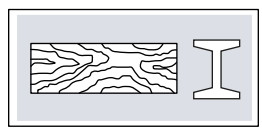
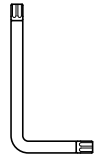
Ø 1/16"
(2 mm)

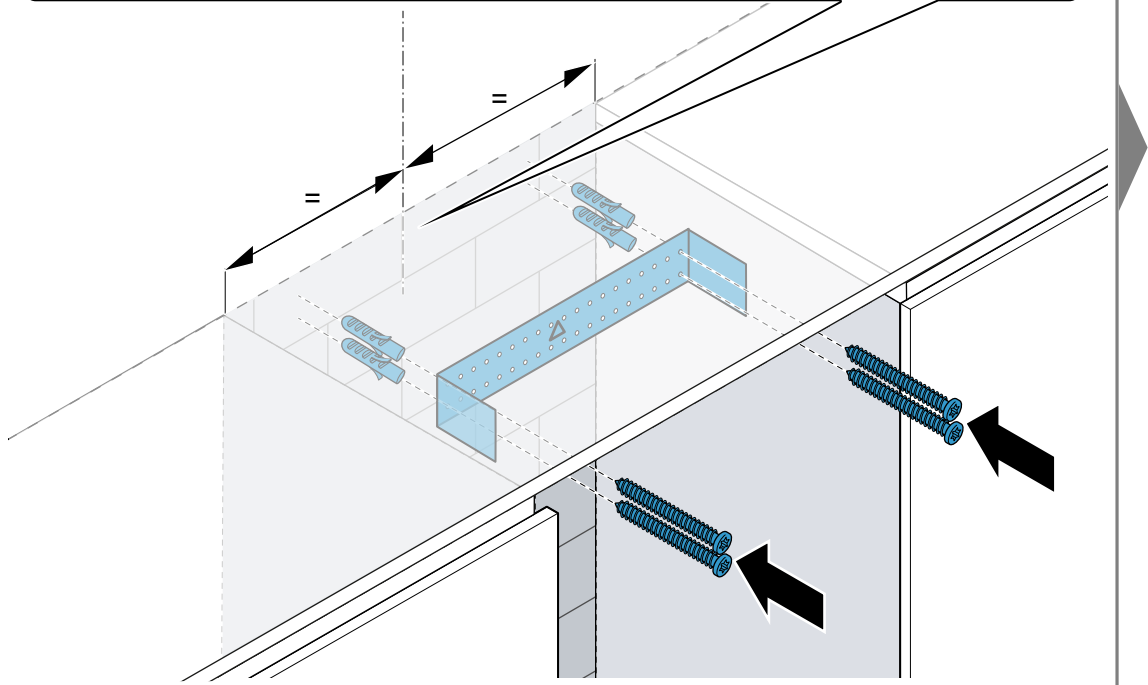
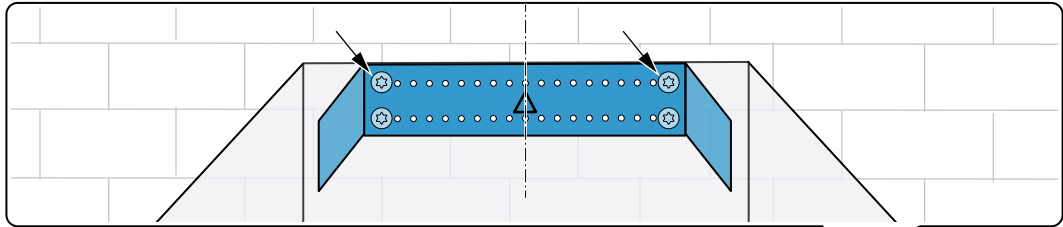
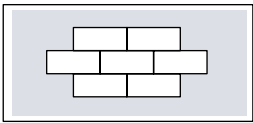
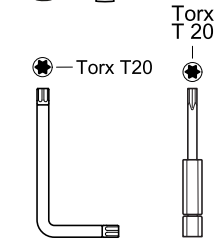
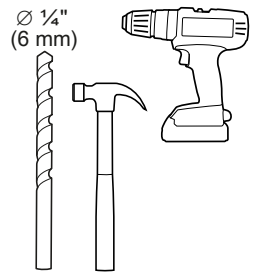
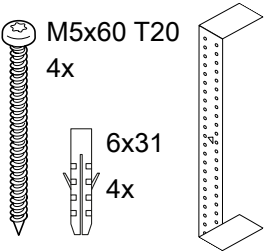


Torx
T 20



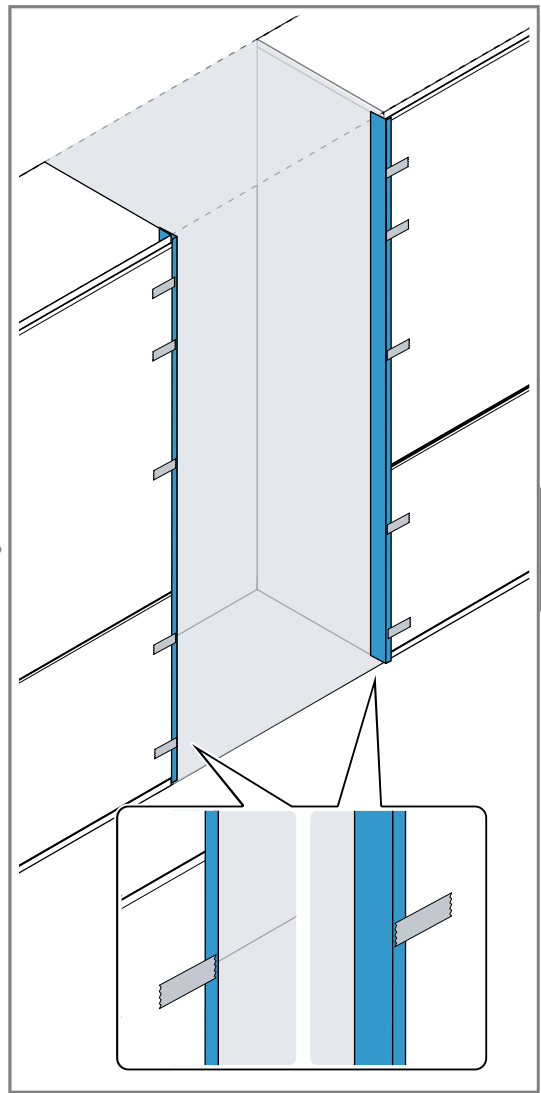
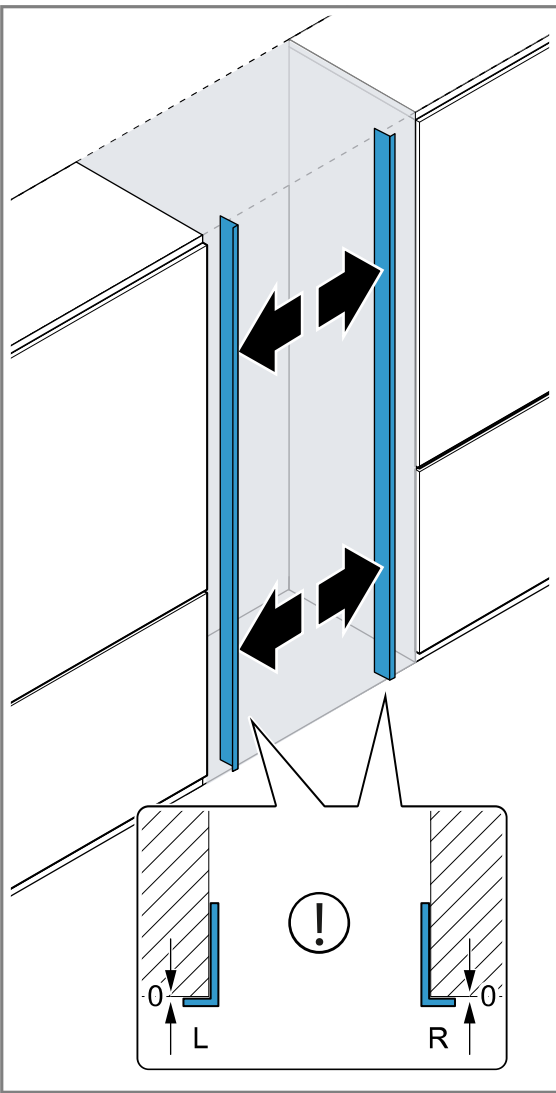
Torx T20

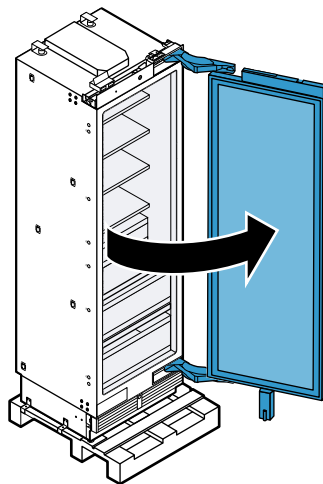
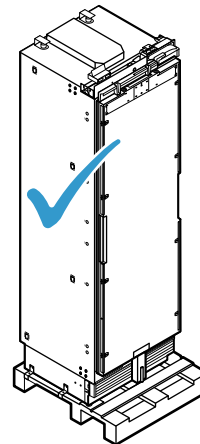
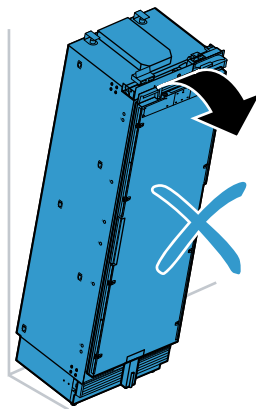


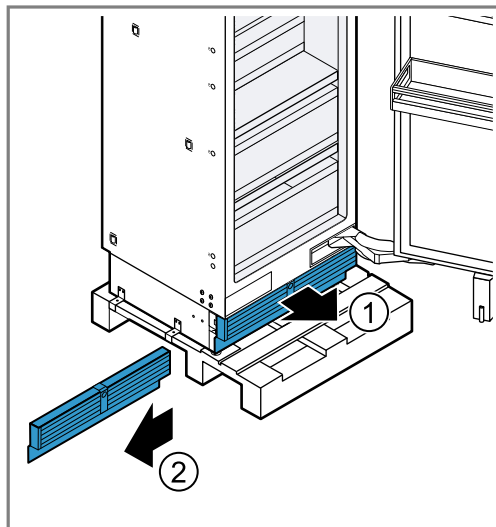
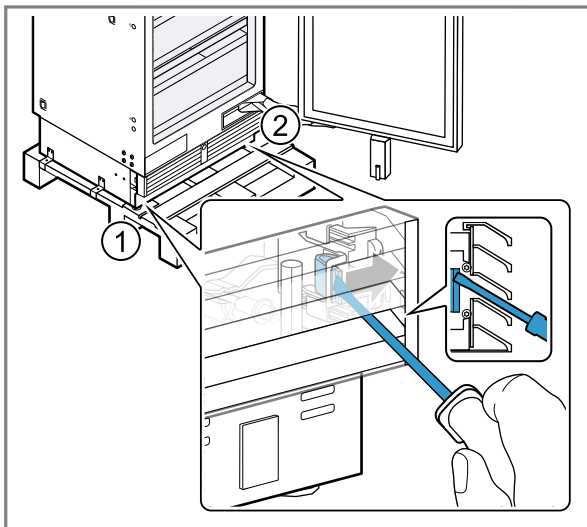
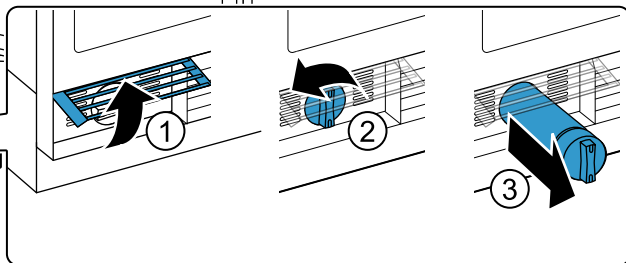
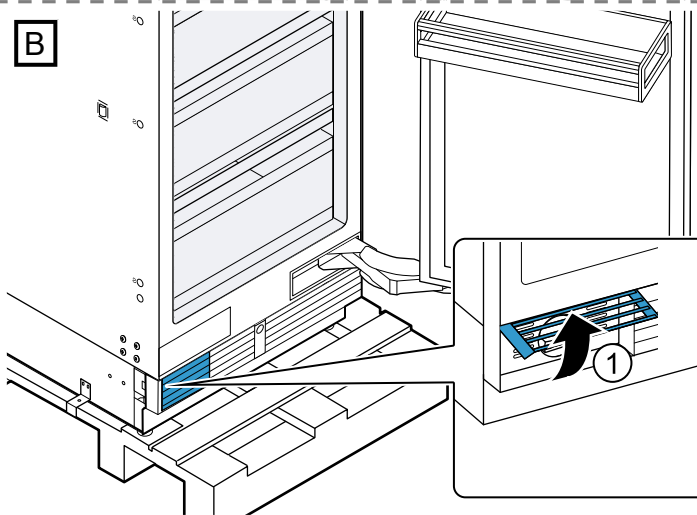


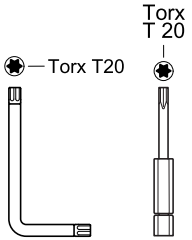
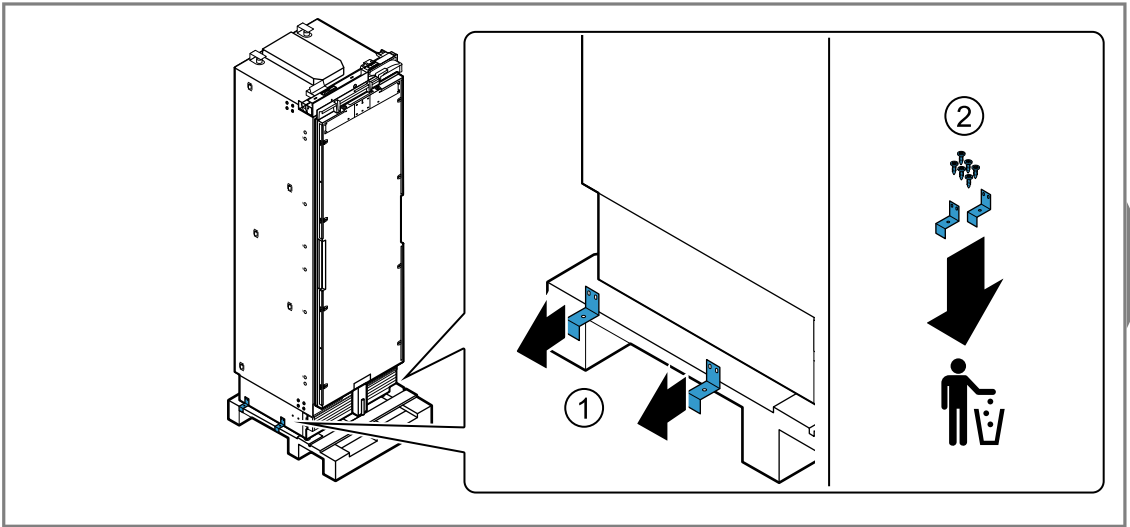
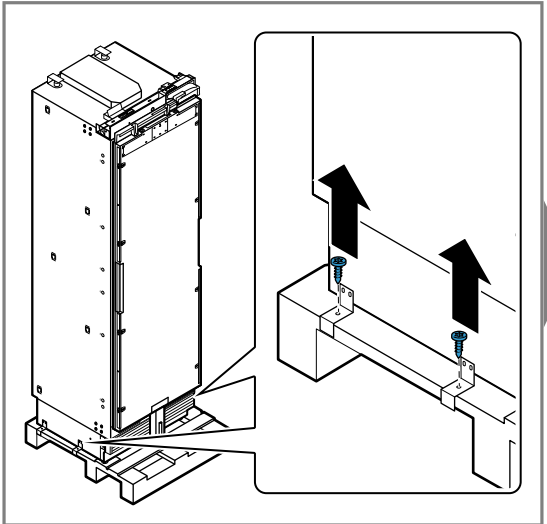
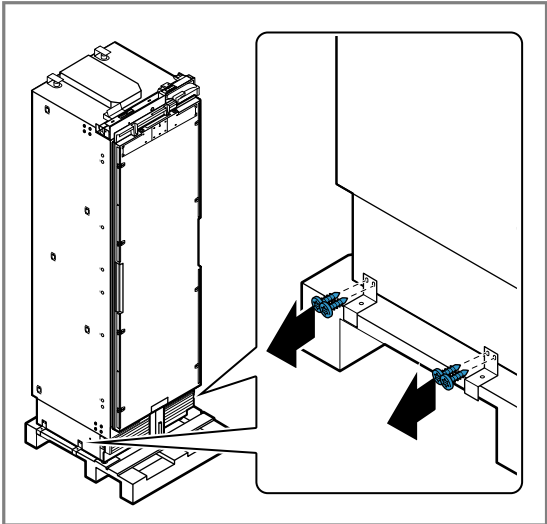
T1

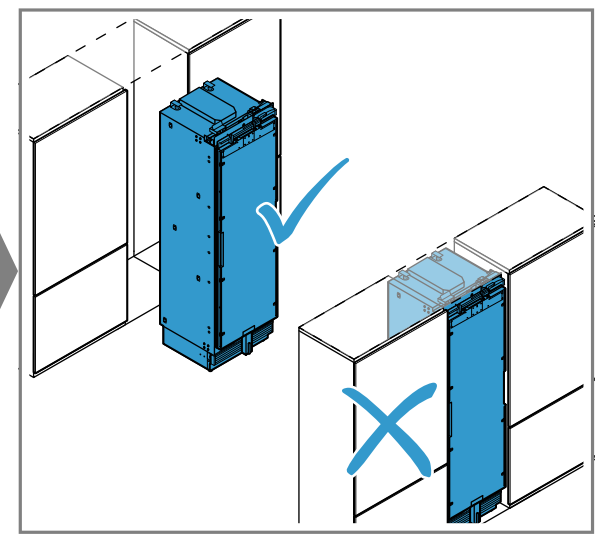
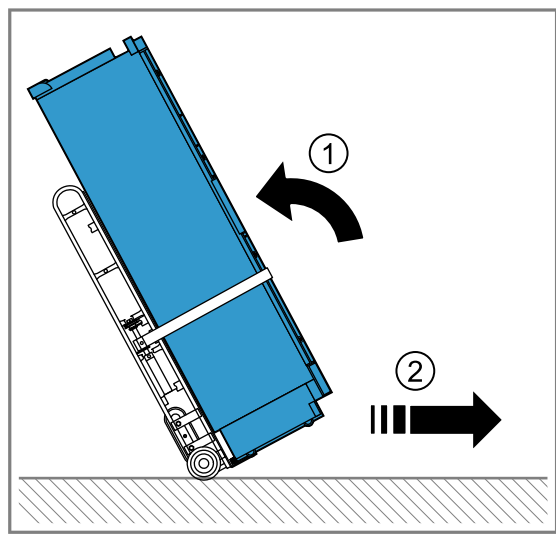
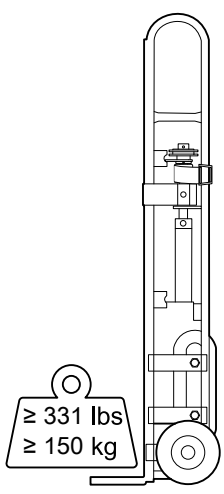
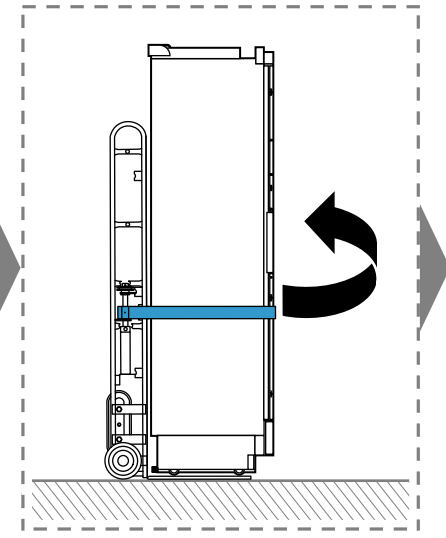
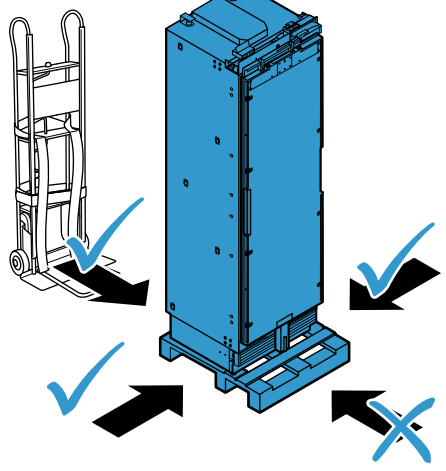
2x

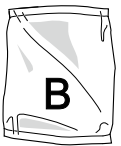




B



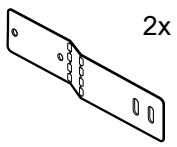




M4.2x6.5 T20



4x

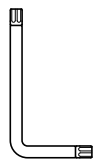


2x

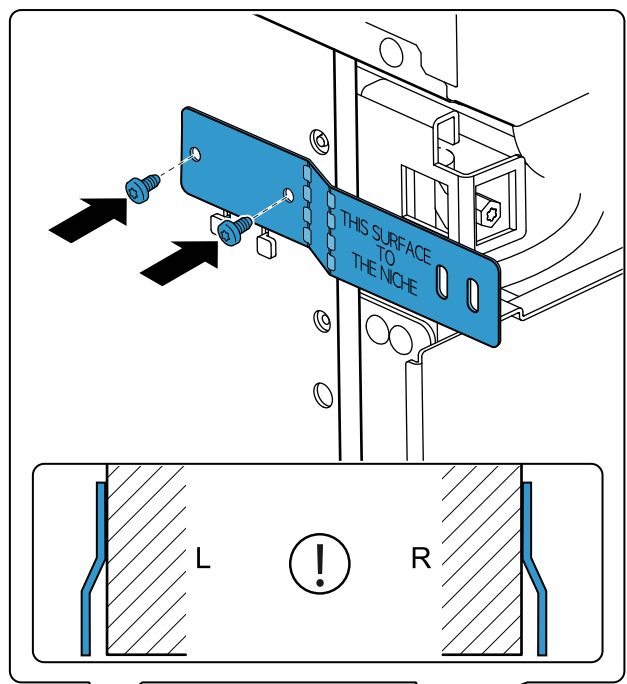
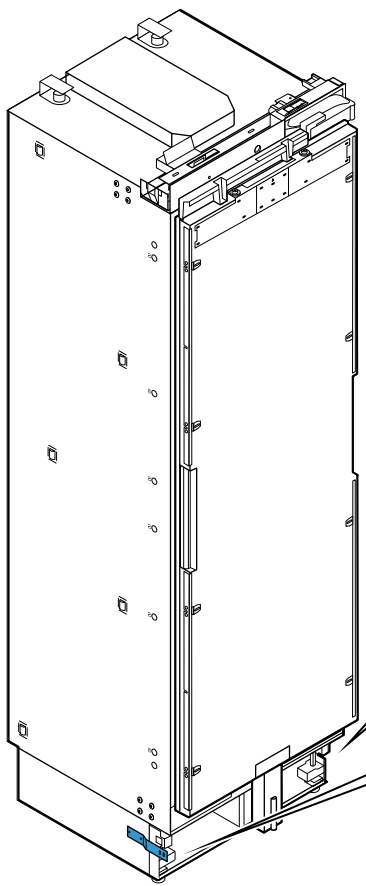


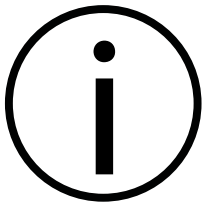
Torx
T 20

— Torx T20

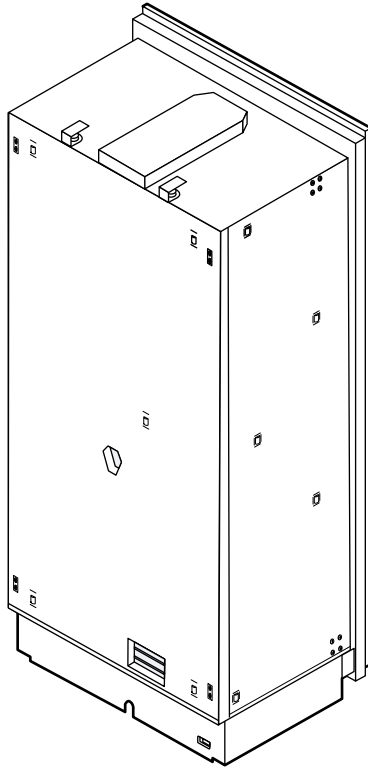


— Torx T20

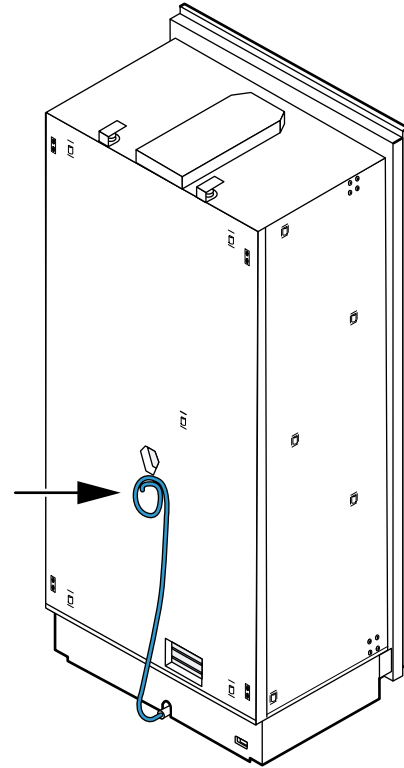


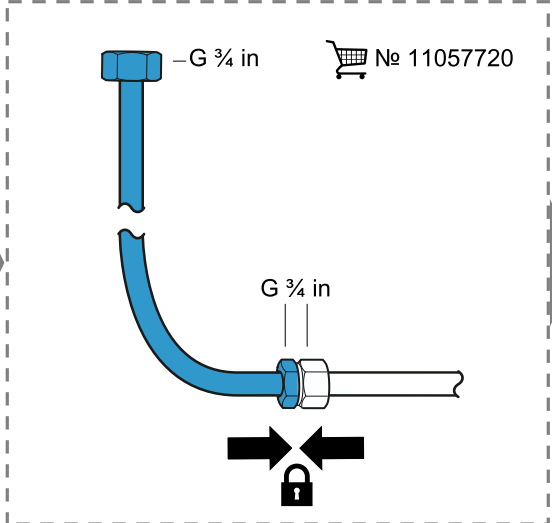
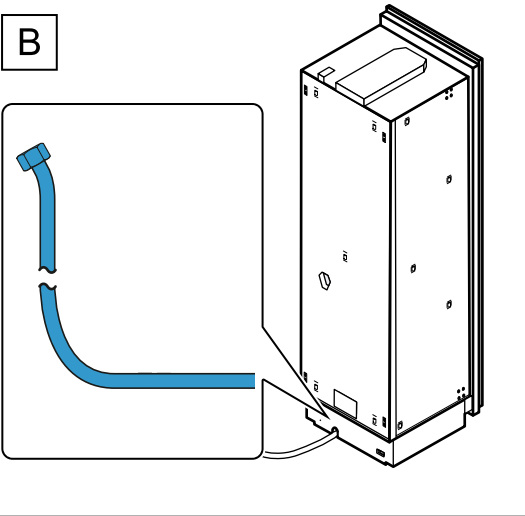


A

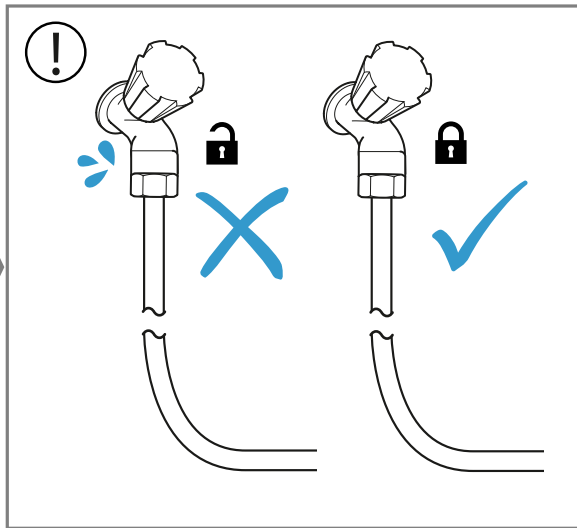
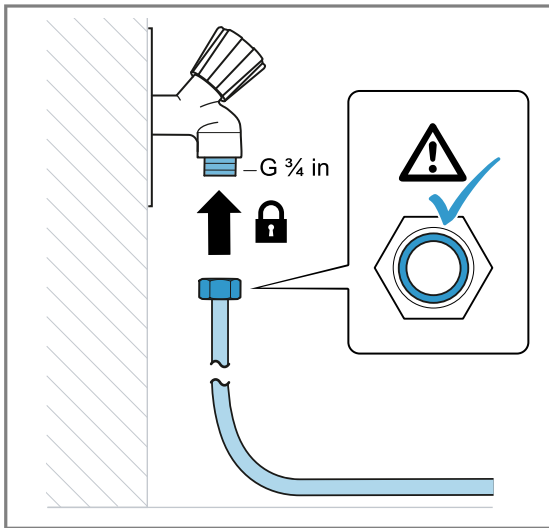
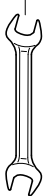


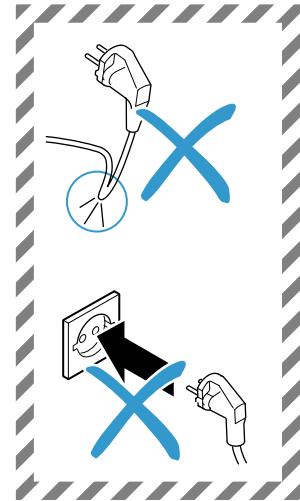
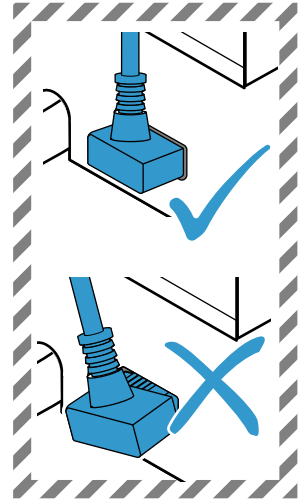
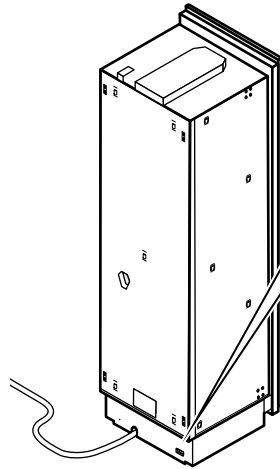
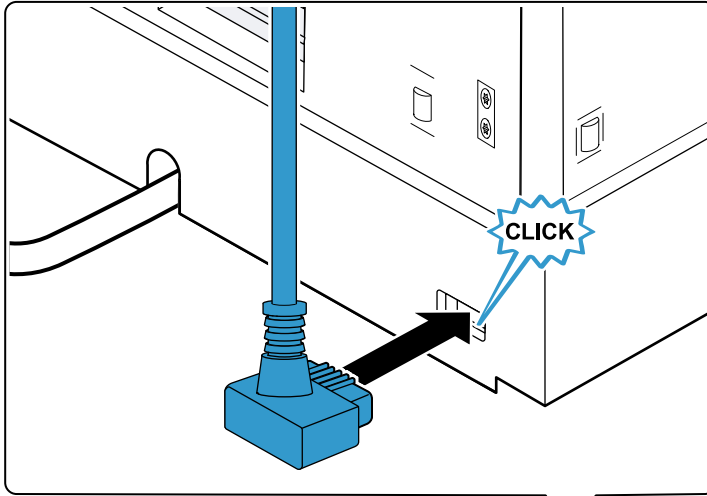
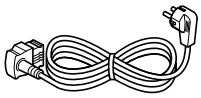
B



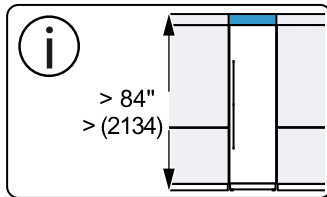
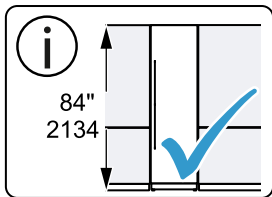
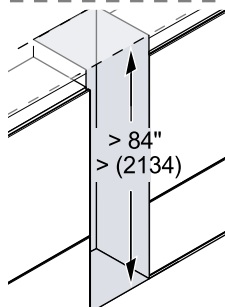
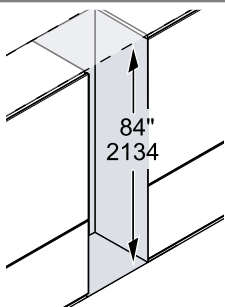
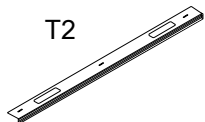


SW13





T2

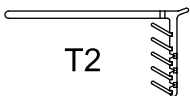
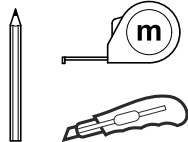


84" – 84 3/8" → A
(2134) – (2141)

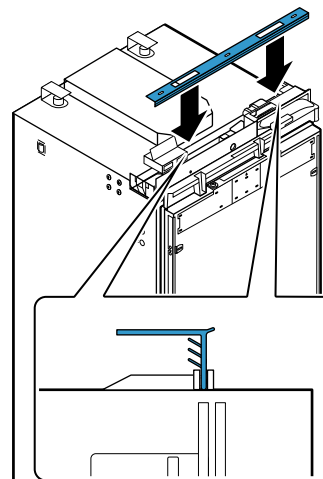
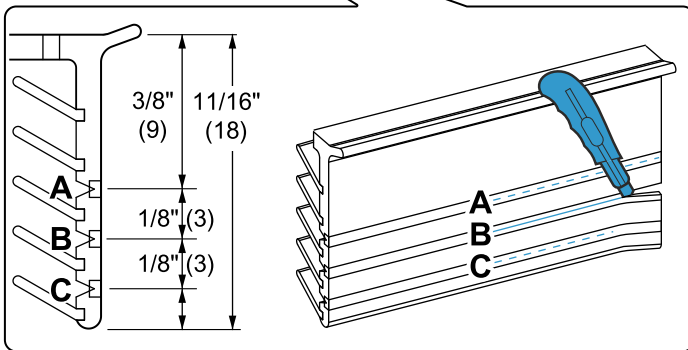
84 3/8" – 84 1/2" → B
(2141) – (2147)

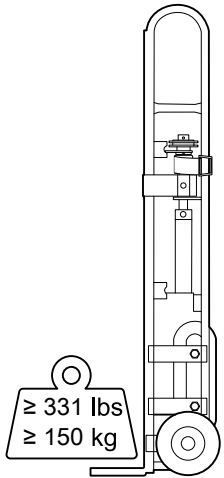
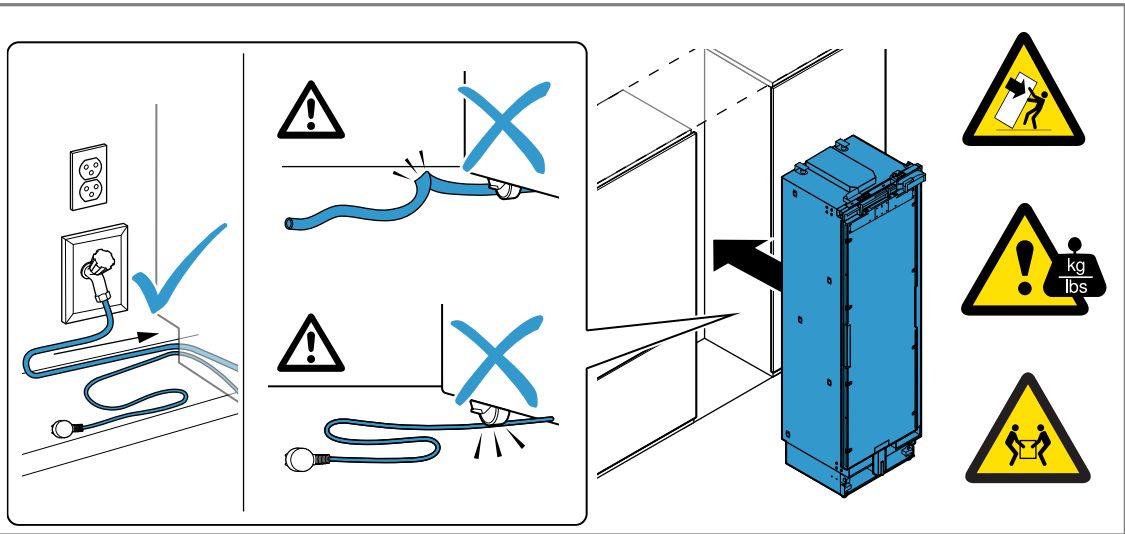
84 1/2" – 84 5/8" → C
(2147) – (2153)

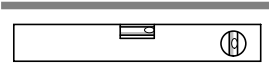
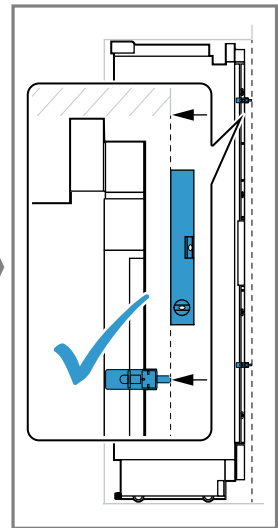
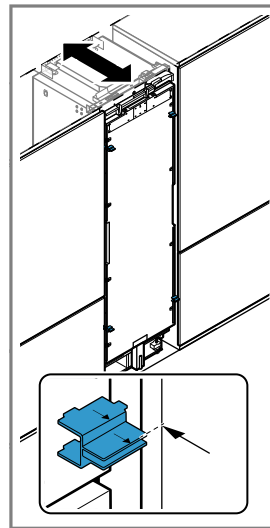
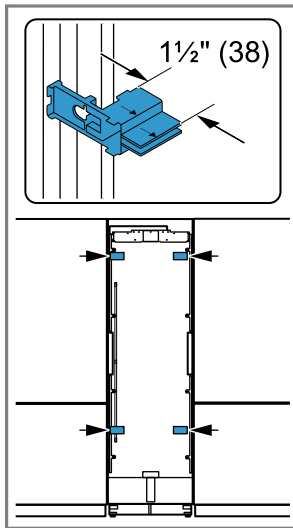
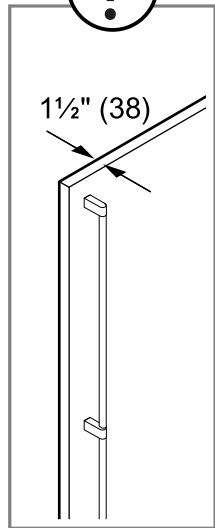
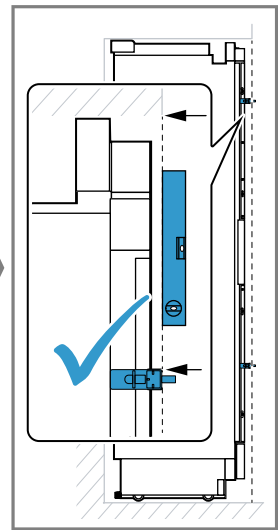
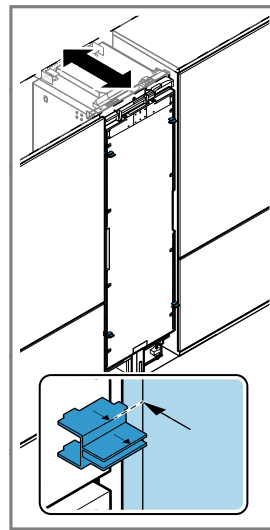
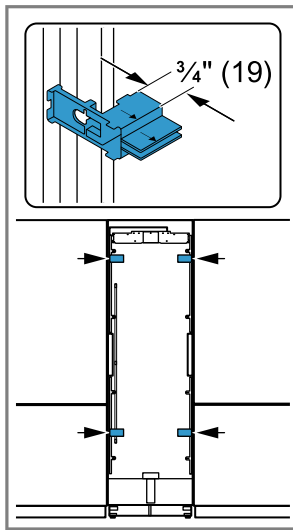
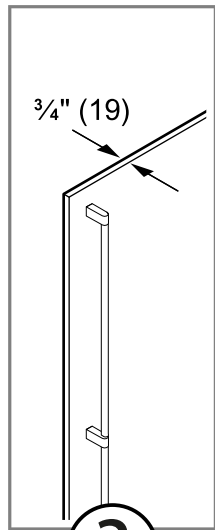
? X =

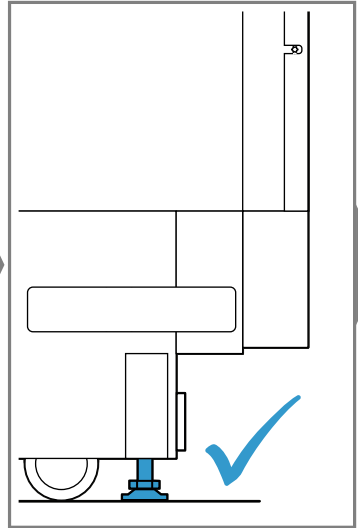
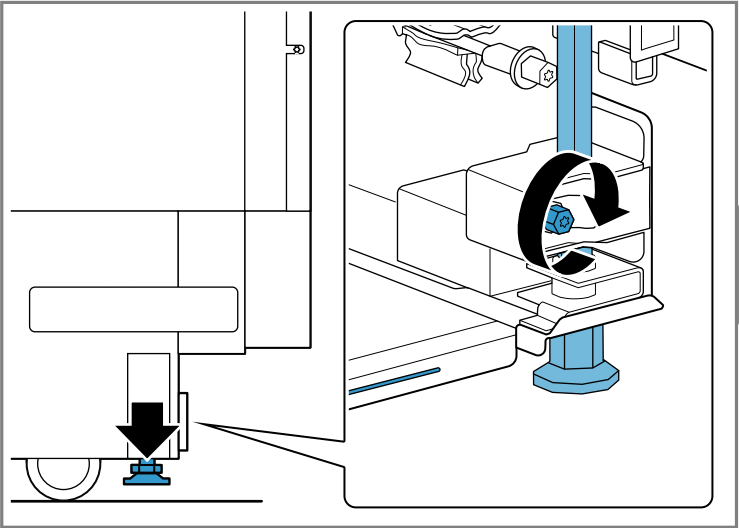
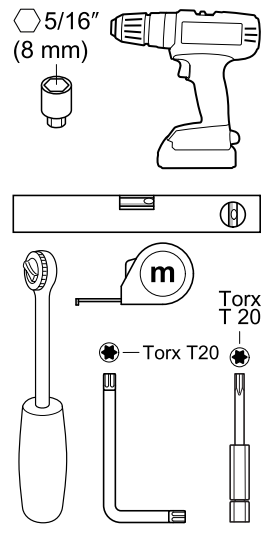
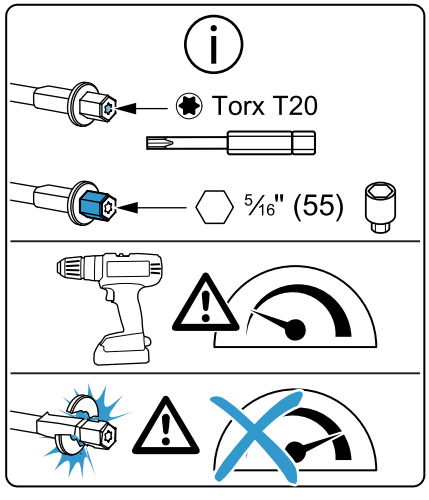
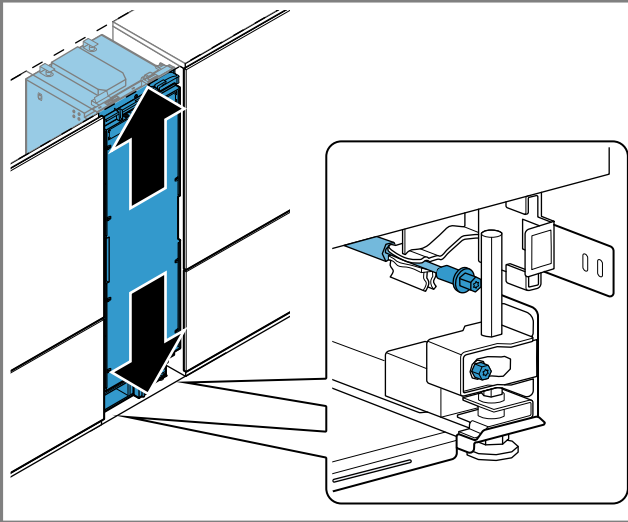


T2



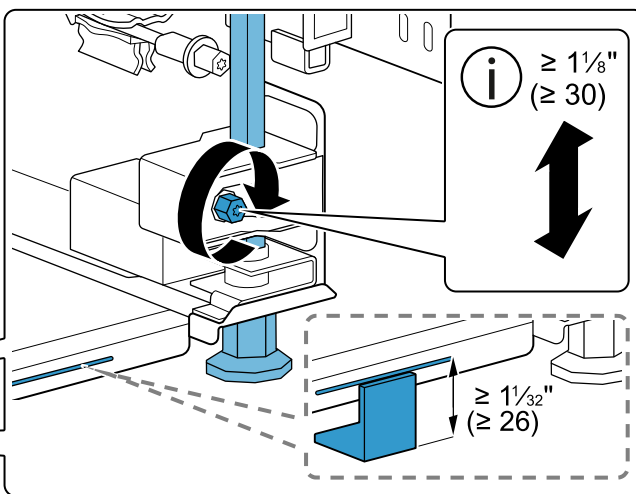
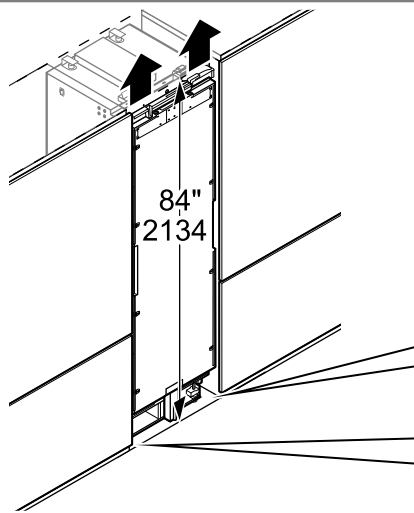
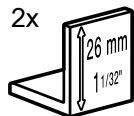
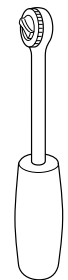




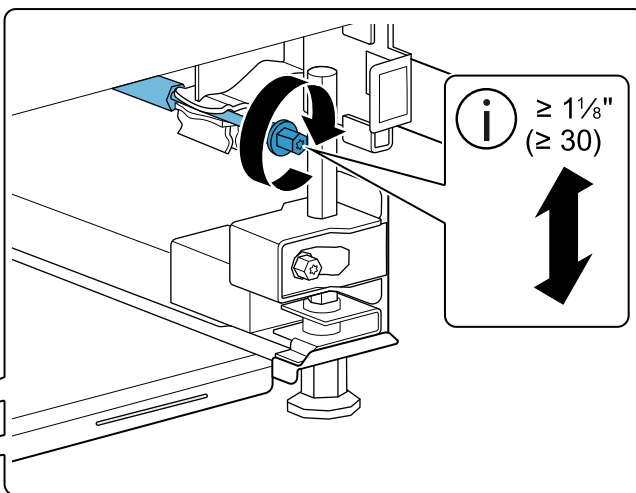
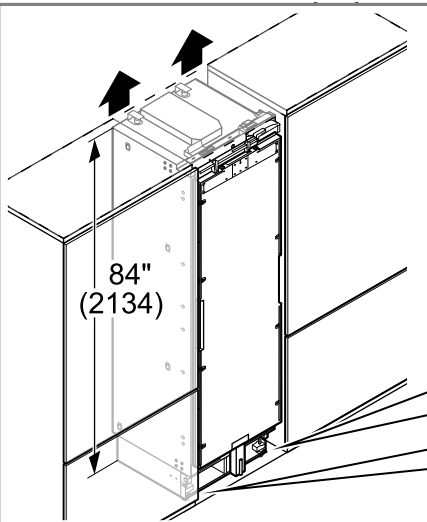
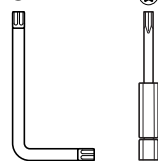




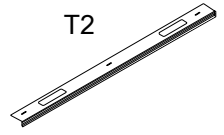
2x


 $\varnothing 5/16"$
(8 mm)
Torx
T 20

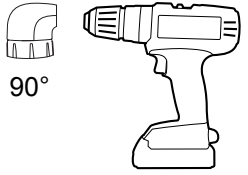
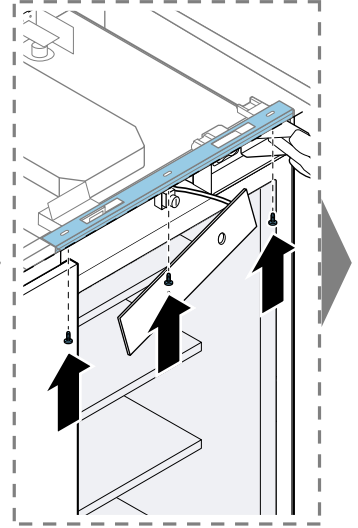
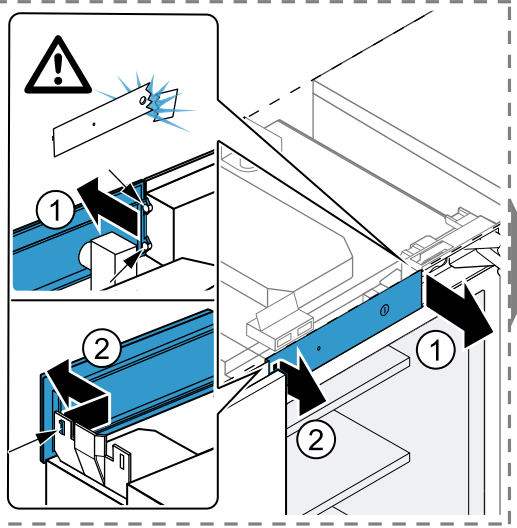
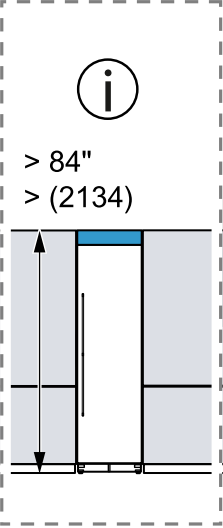
Torx T20



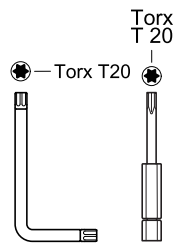
M4x15 T20
E 3x



T2

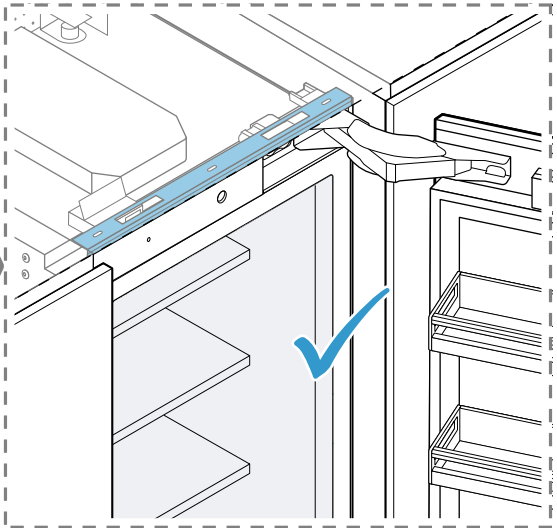
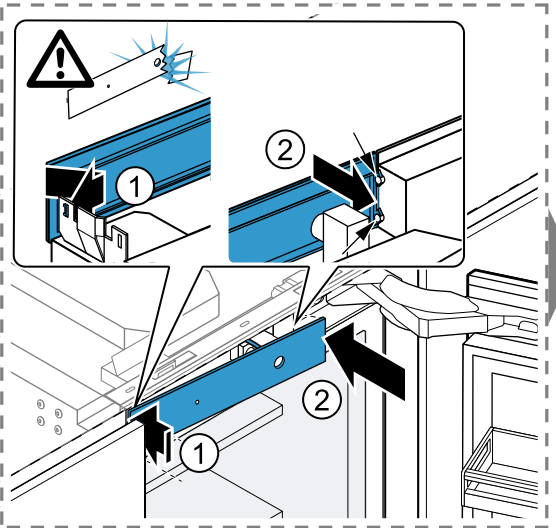


90°

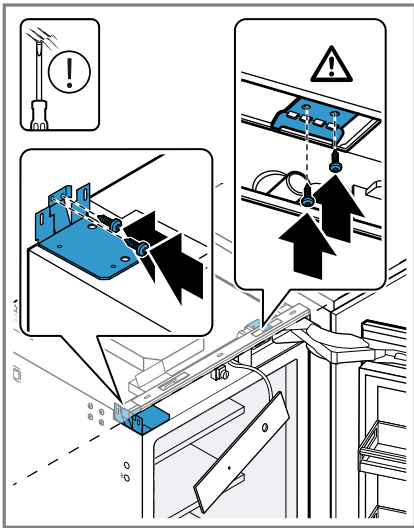
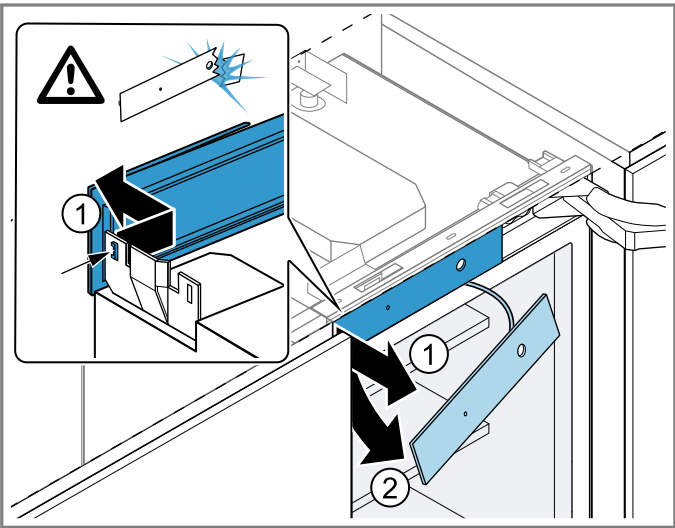
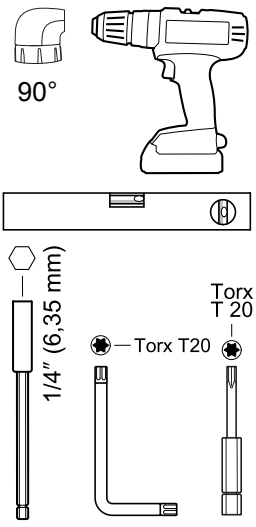
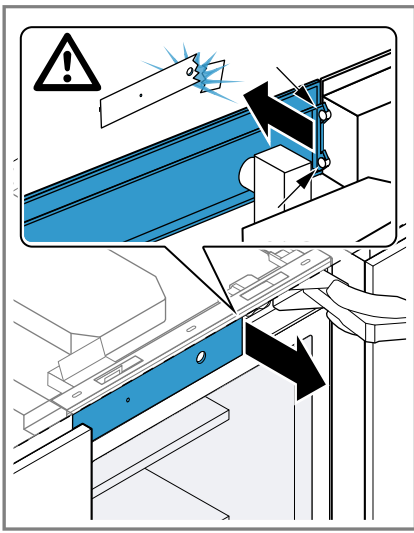
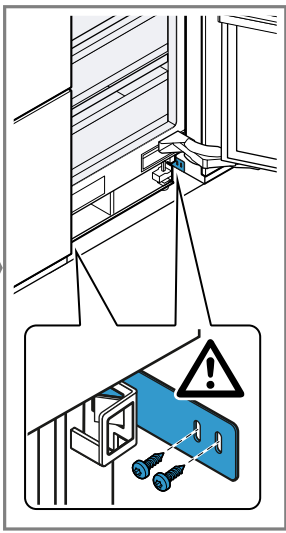
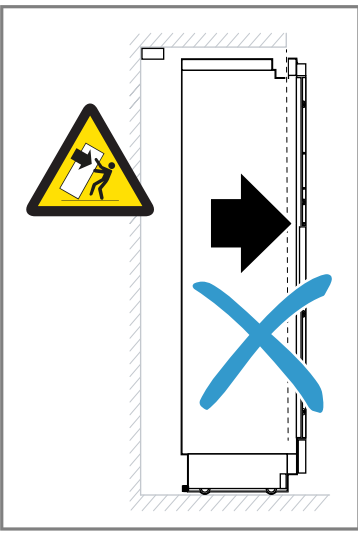


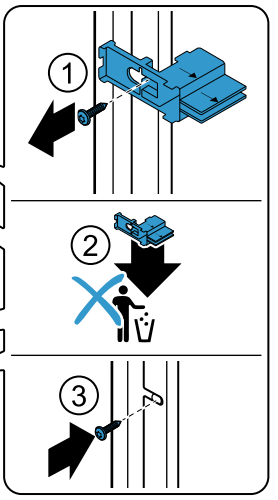
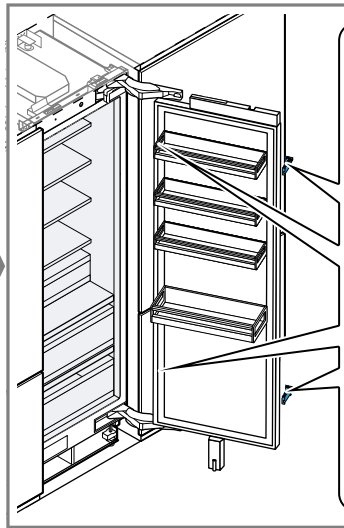
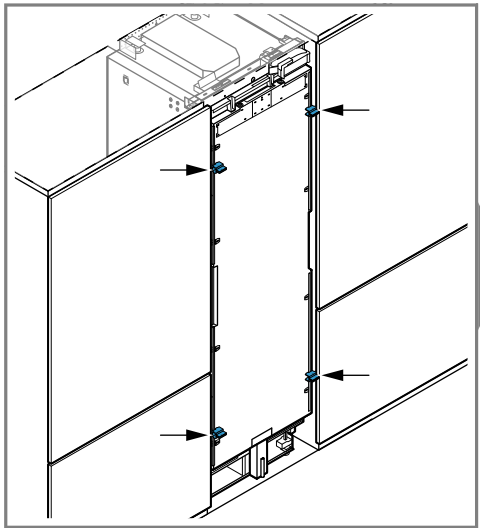
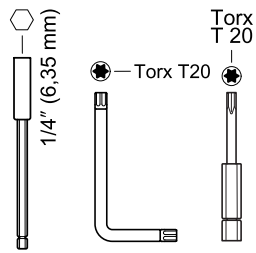
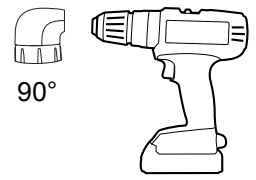
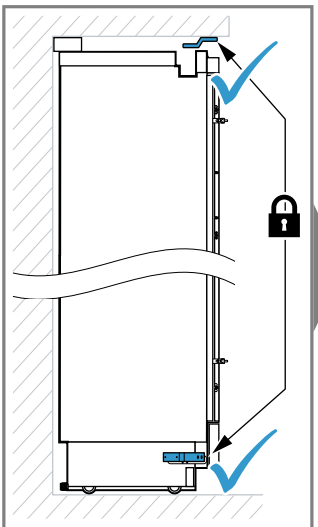
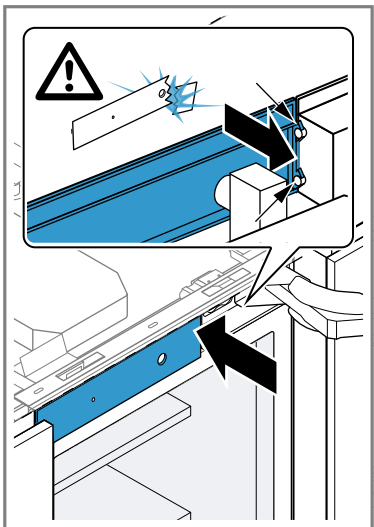
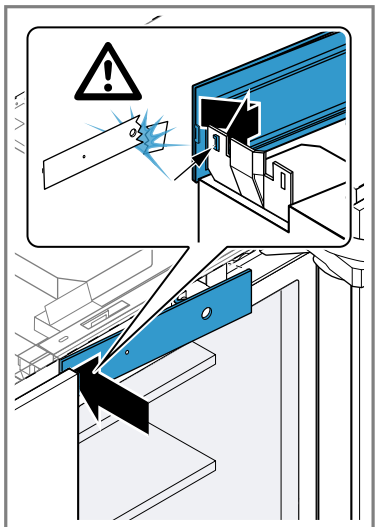
Torx
T 20

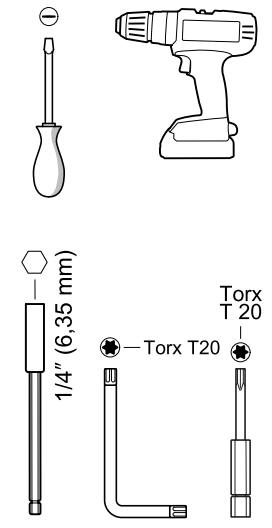
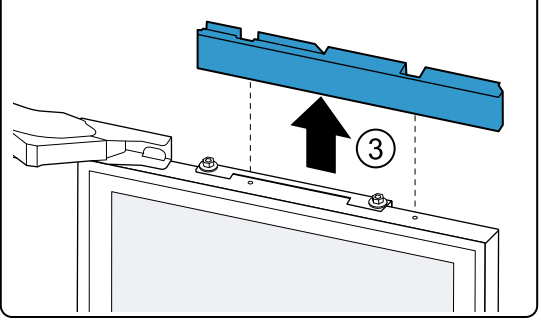
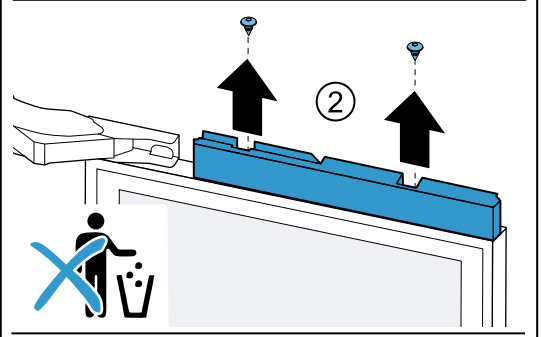
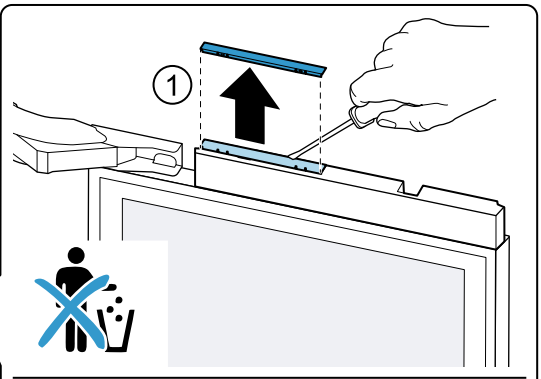
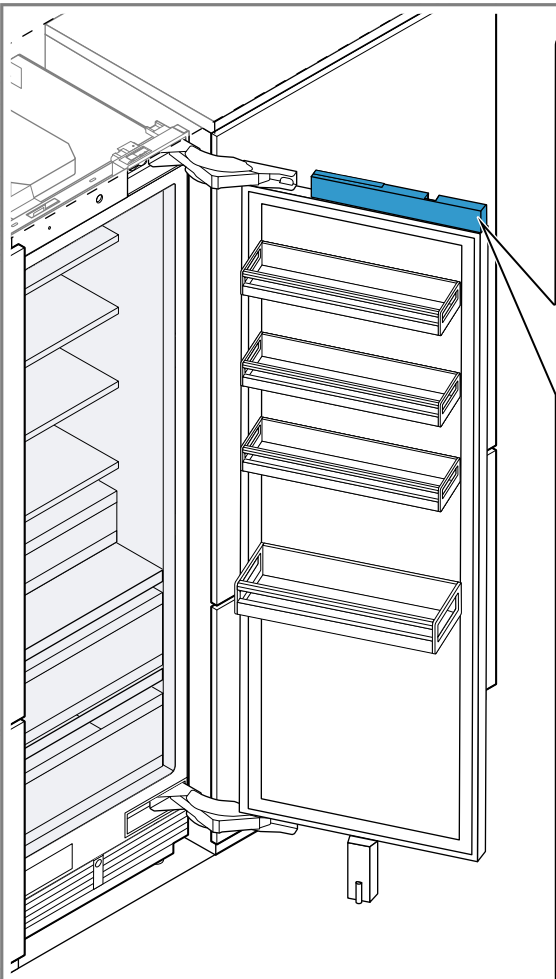
Torx T20

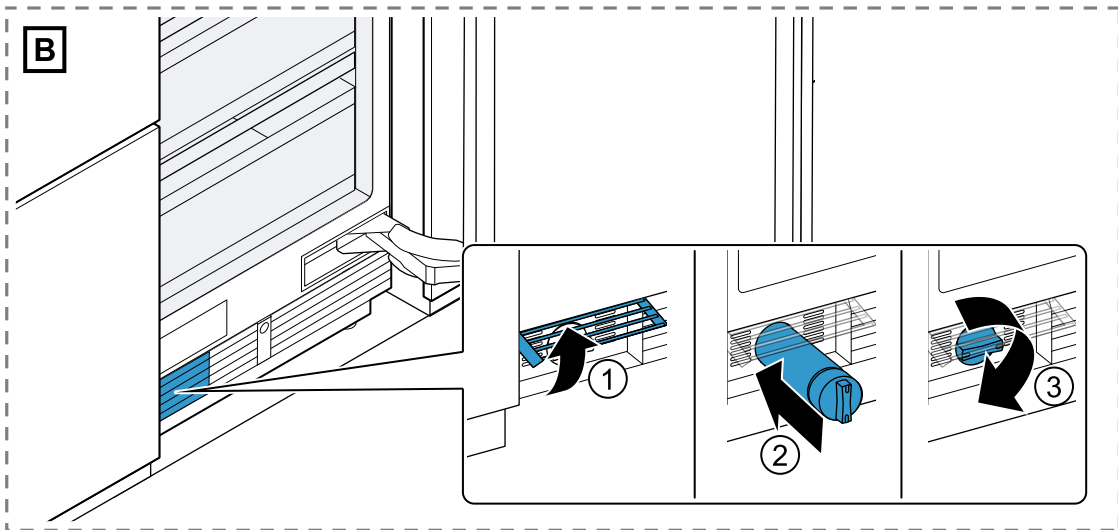
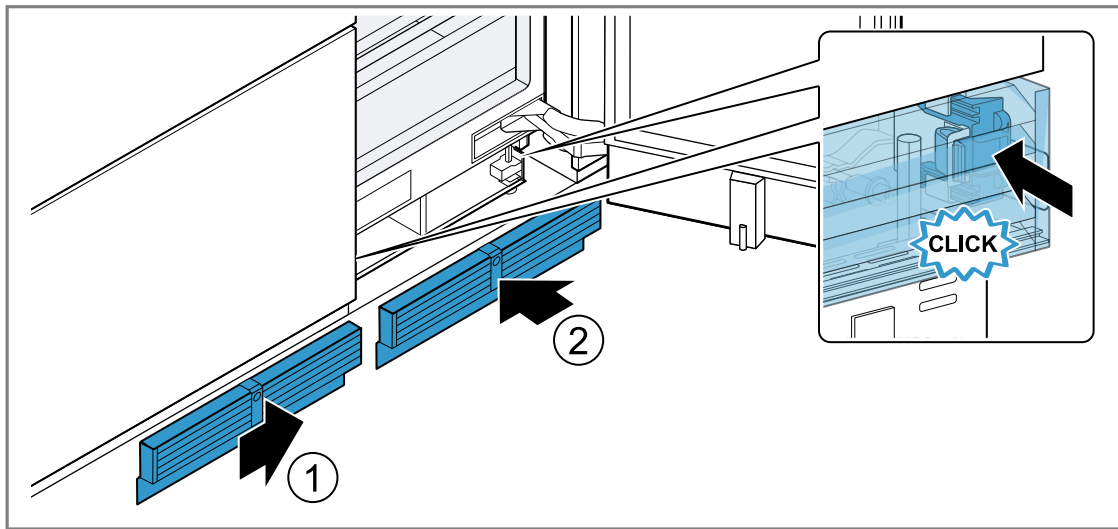


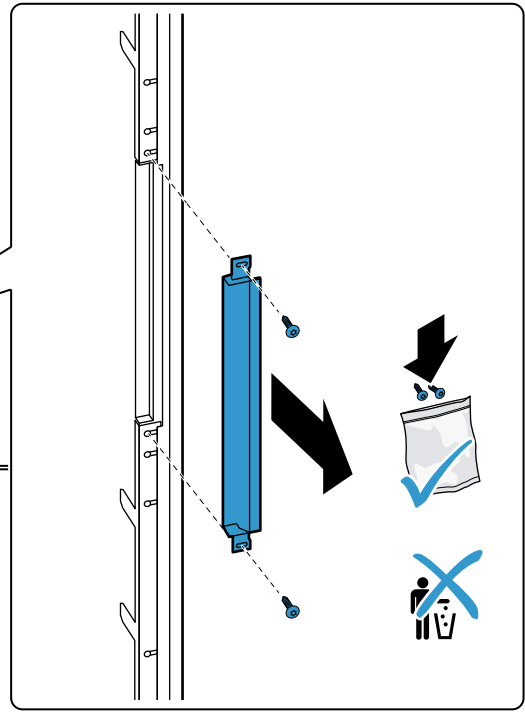
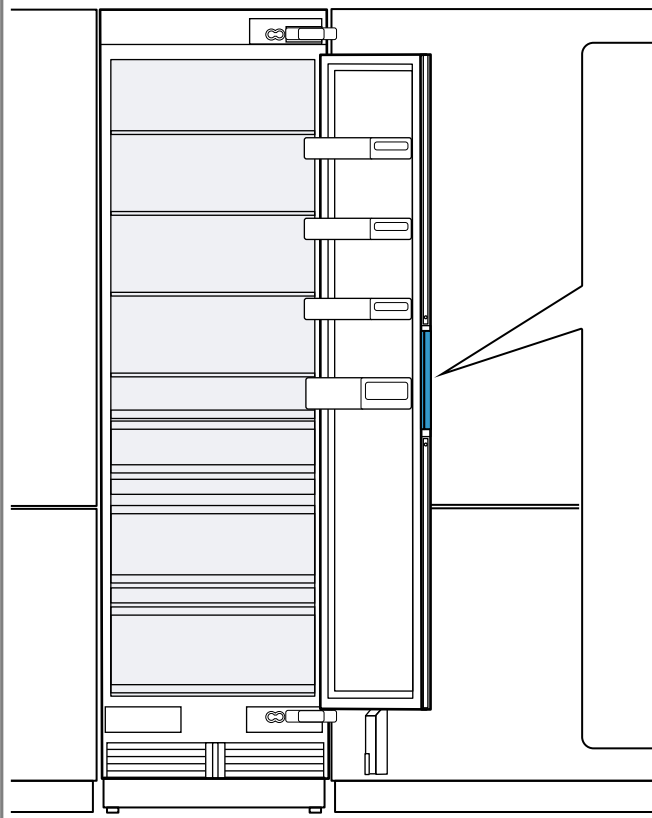
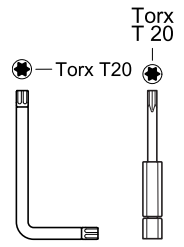
M4x15 T20
D 8x

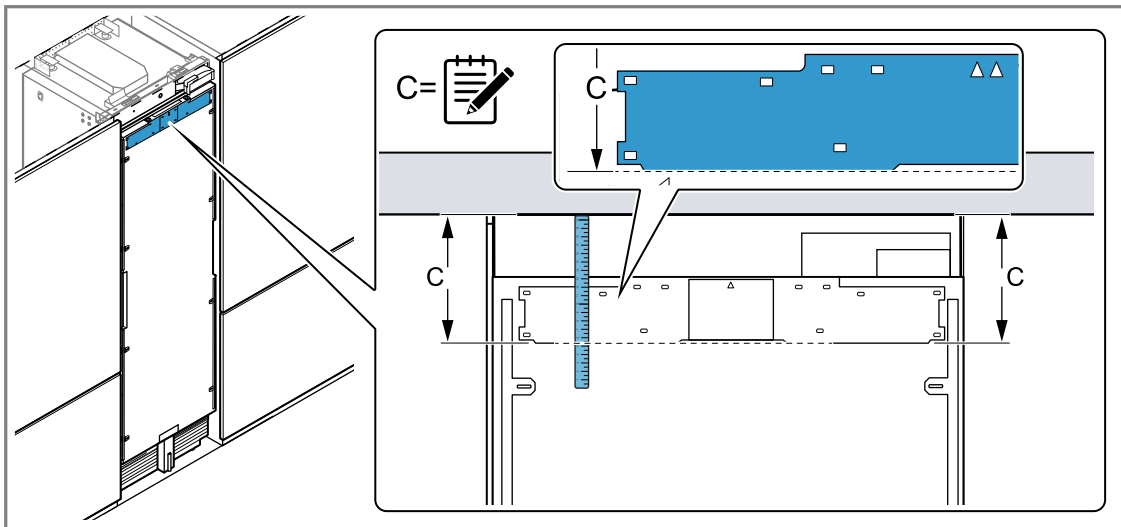




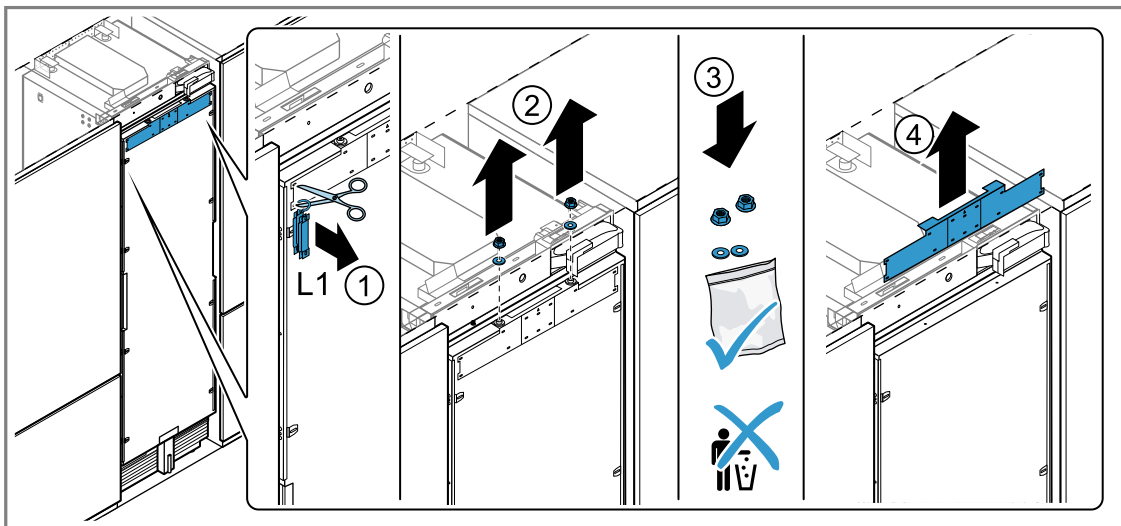
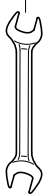




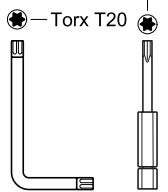
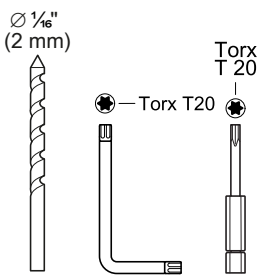
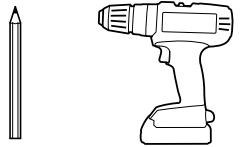
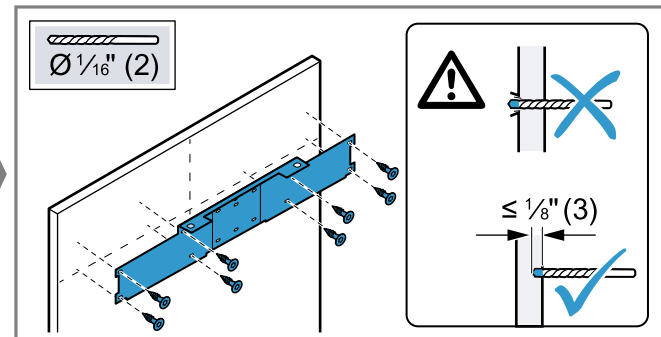
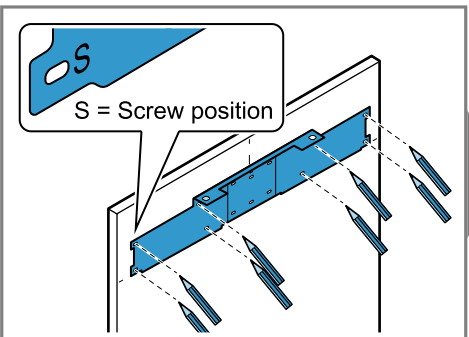
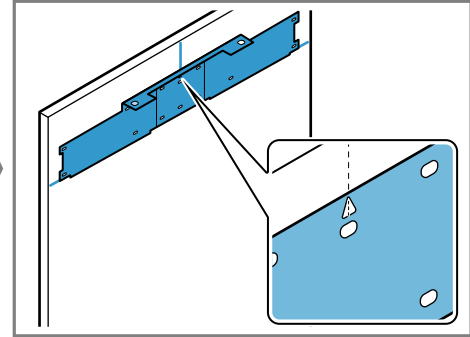
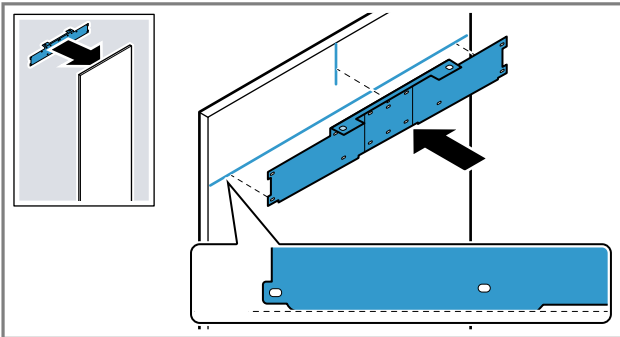
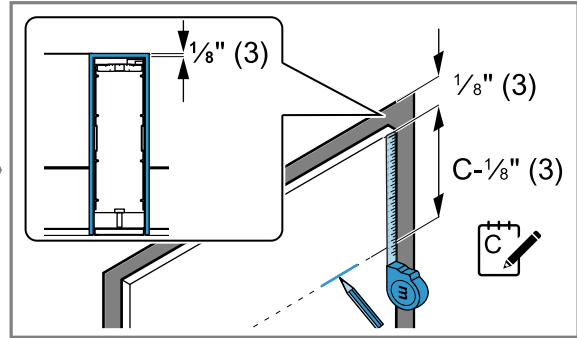
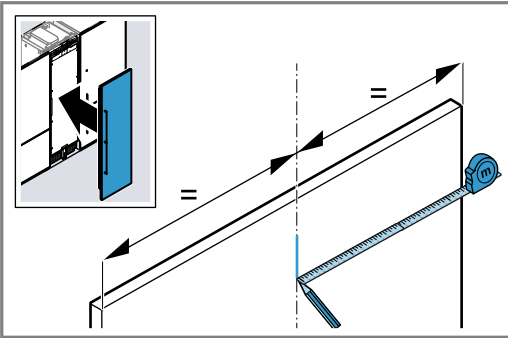
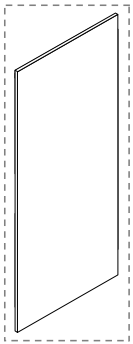




SW13

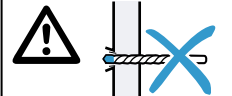


M4x15 T20
E 8x

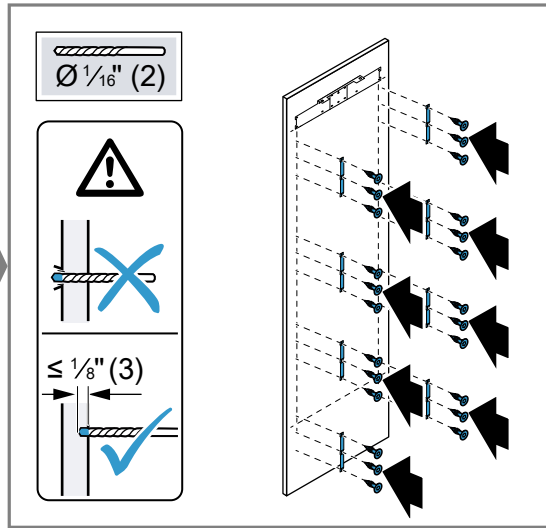
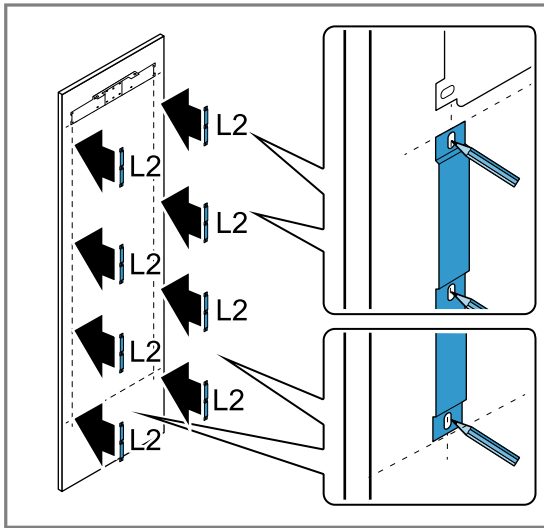
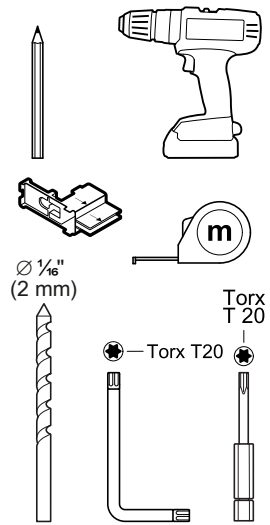
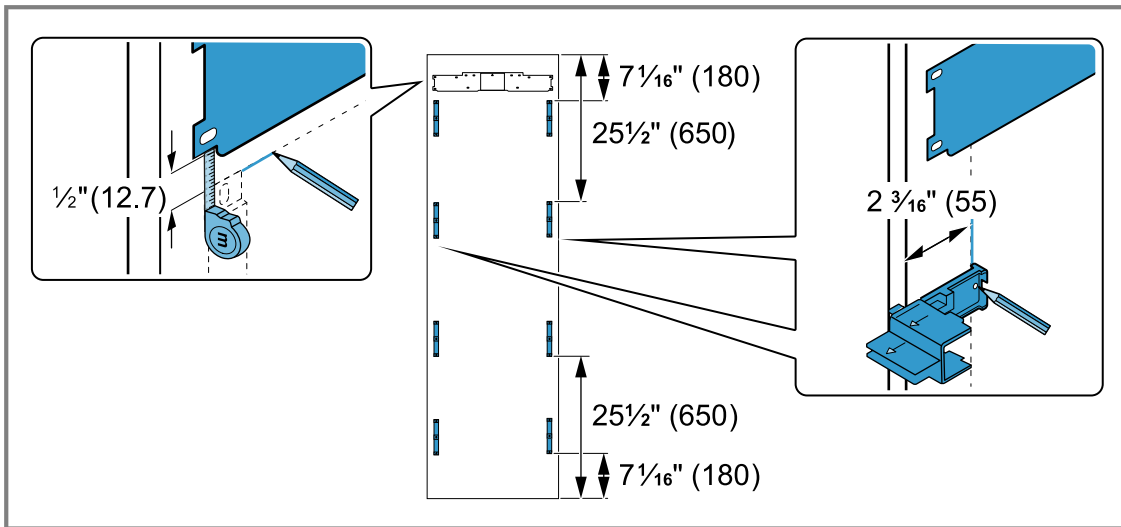
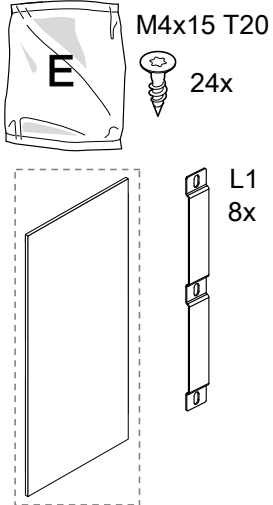


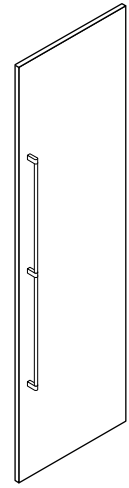
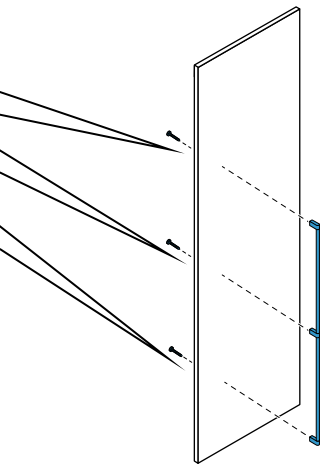
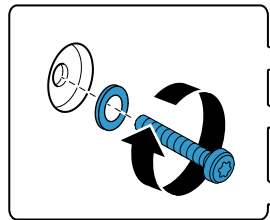
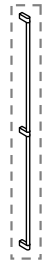
S = Screw position

Ø 1/16" (2)

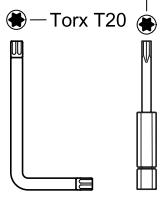


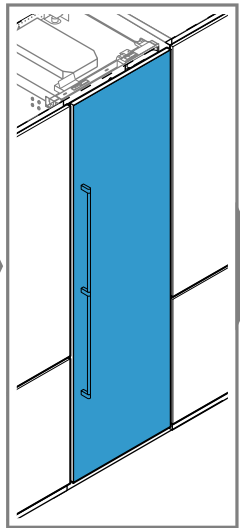
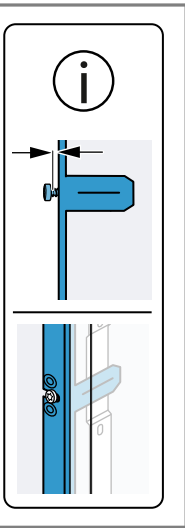
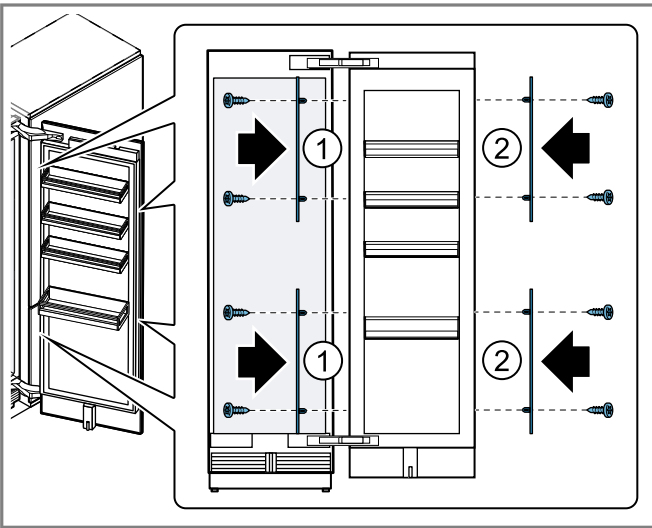
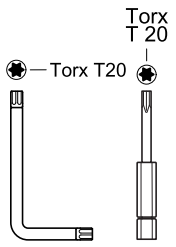
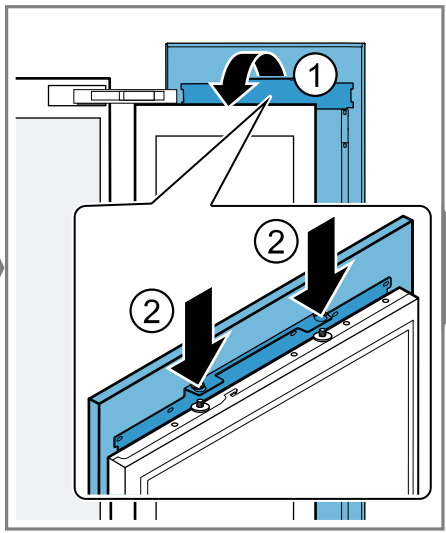
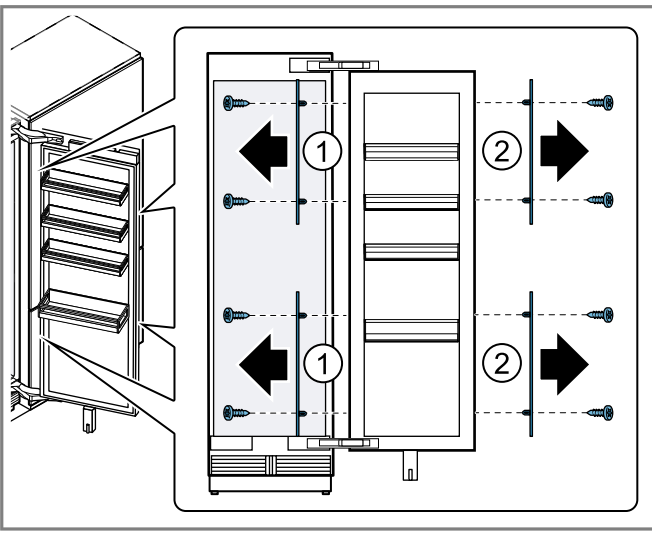
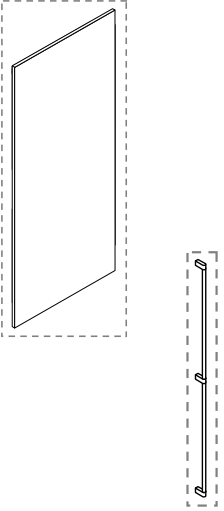
≤ 1/8" (3)

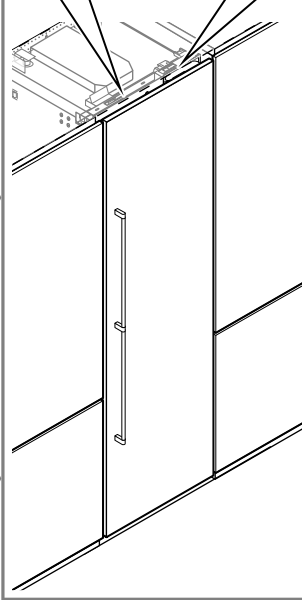
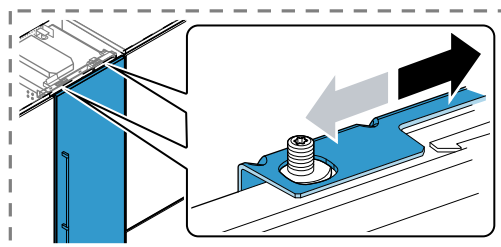
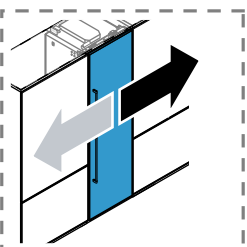
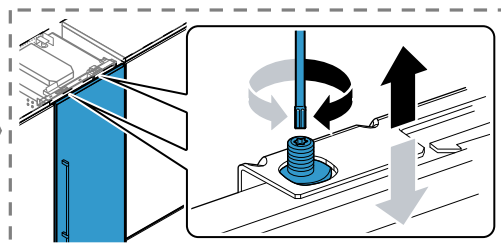
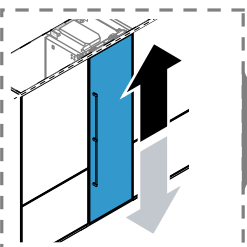
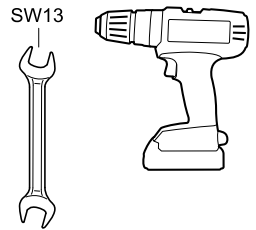
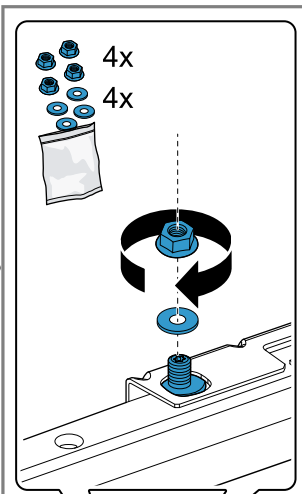
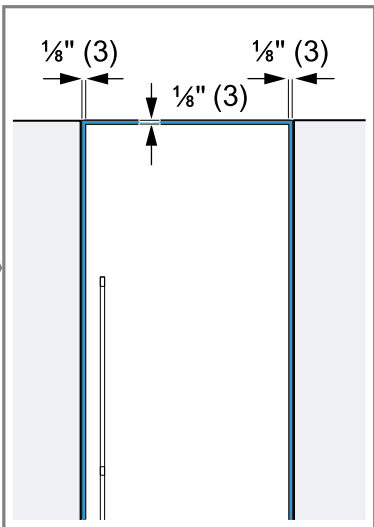
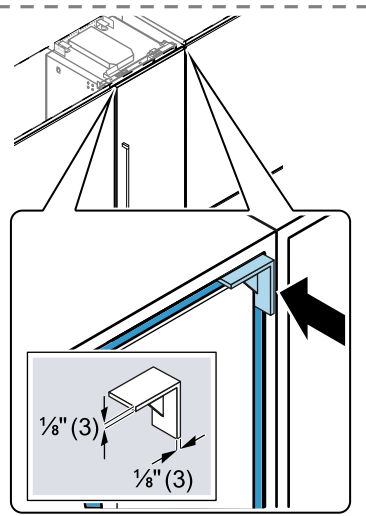
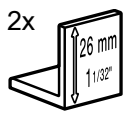


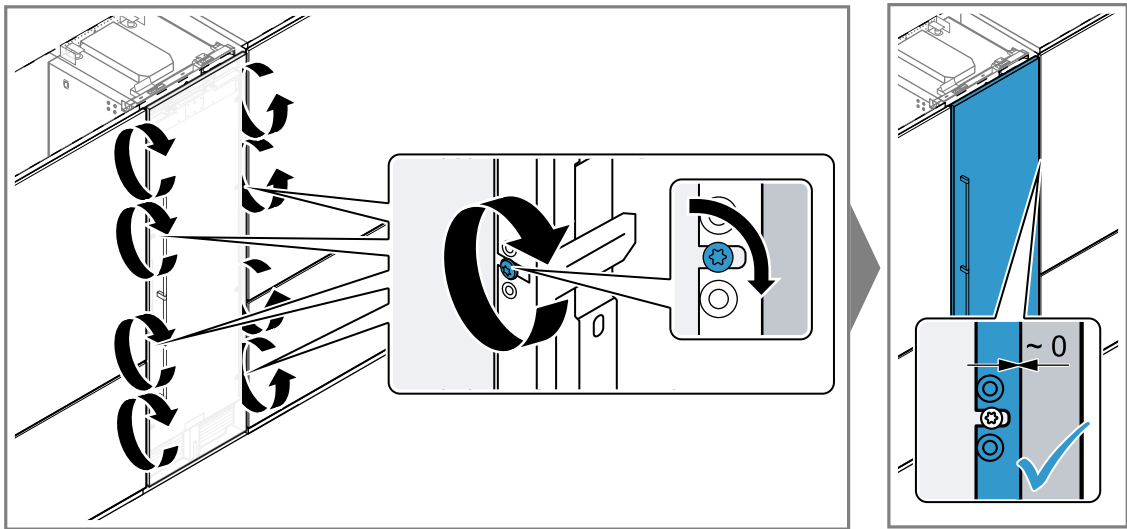
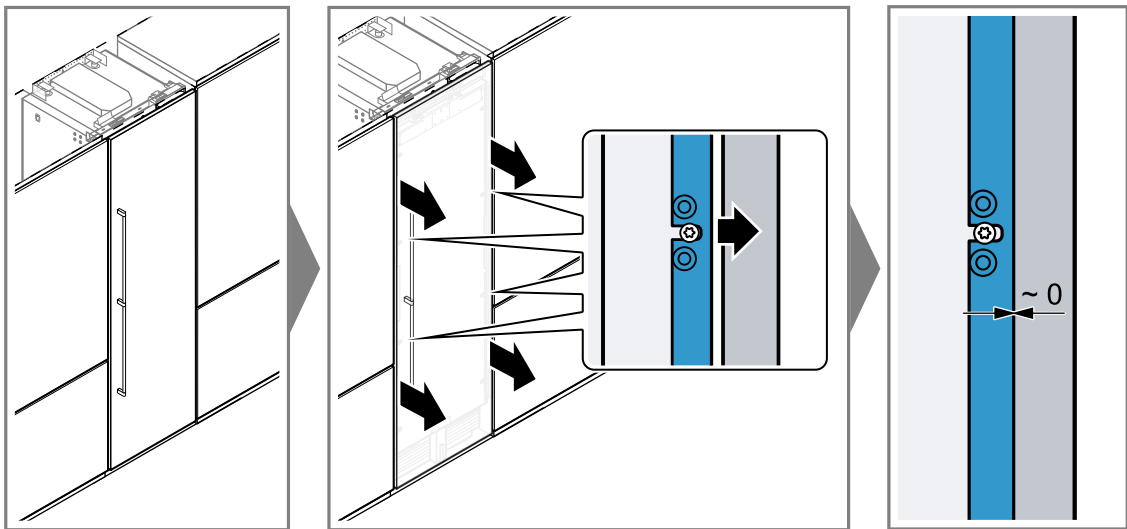


Torx
T 20









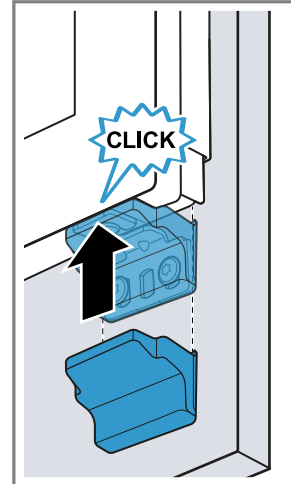
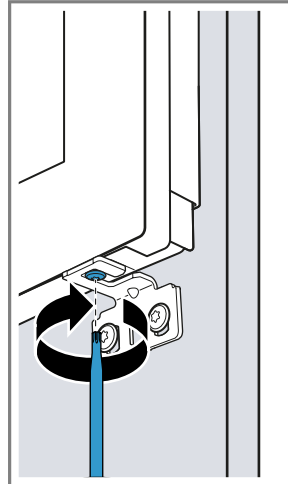
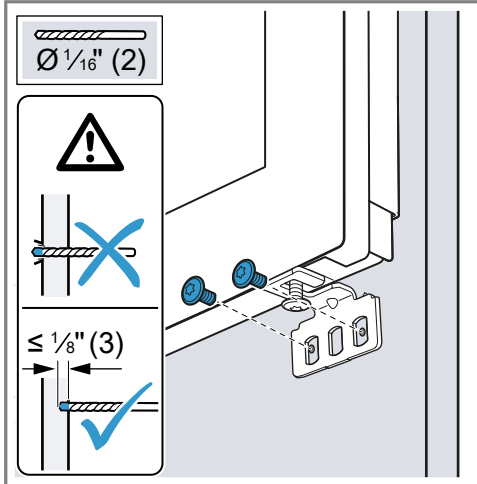
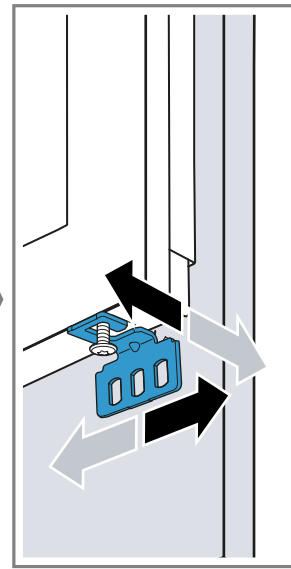
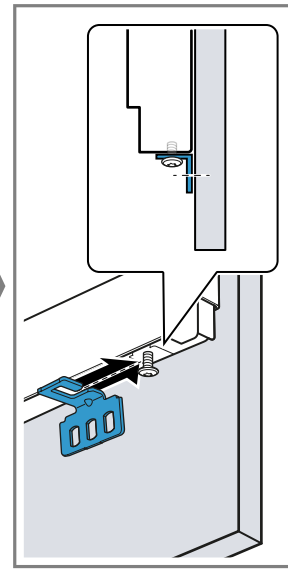
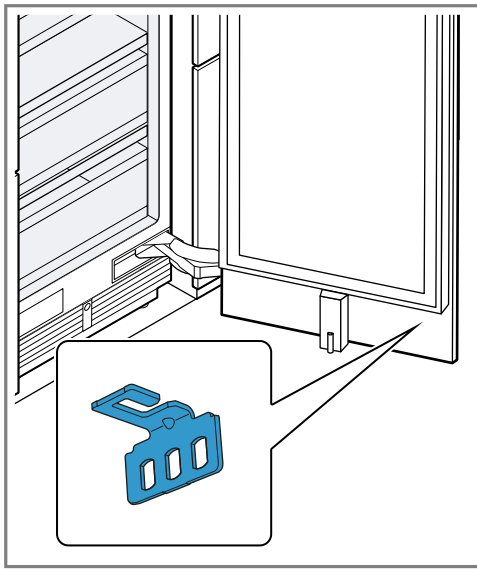
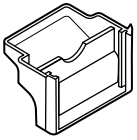
— Torx T20



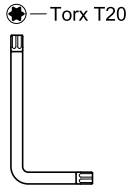
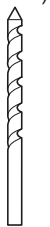
Torx
T 20



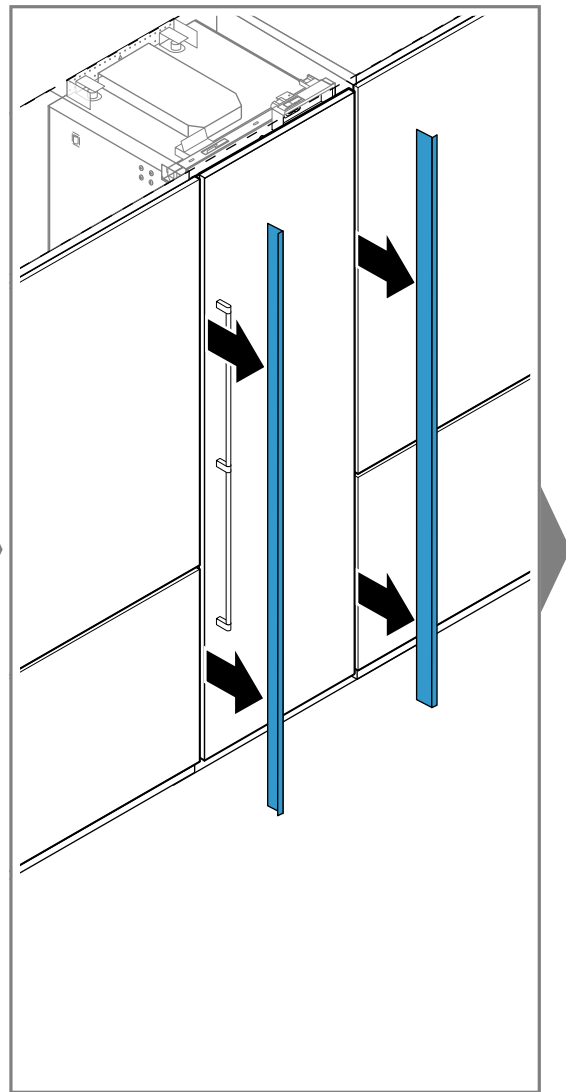
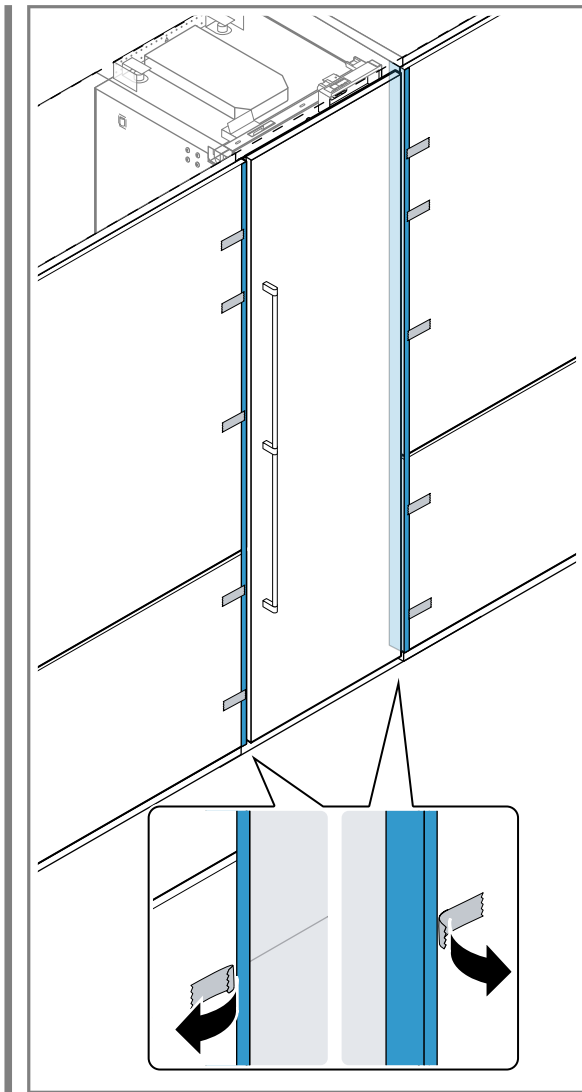
M4x15 T20
F
2x

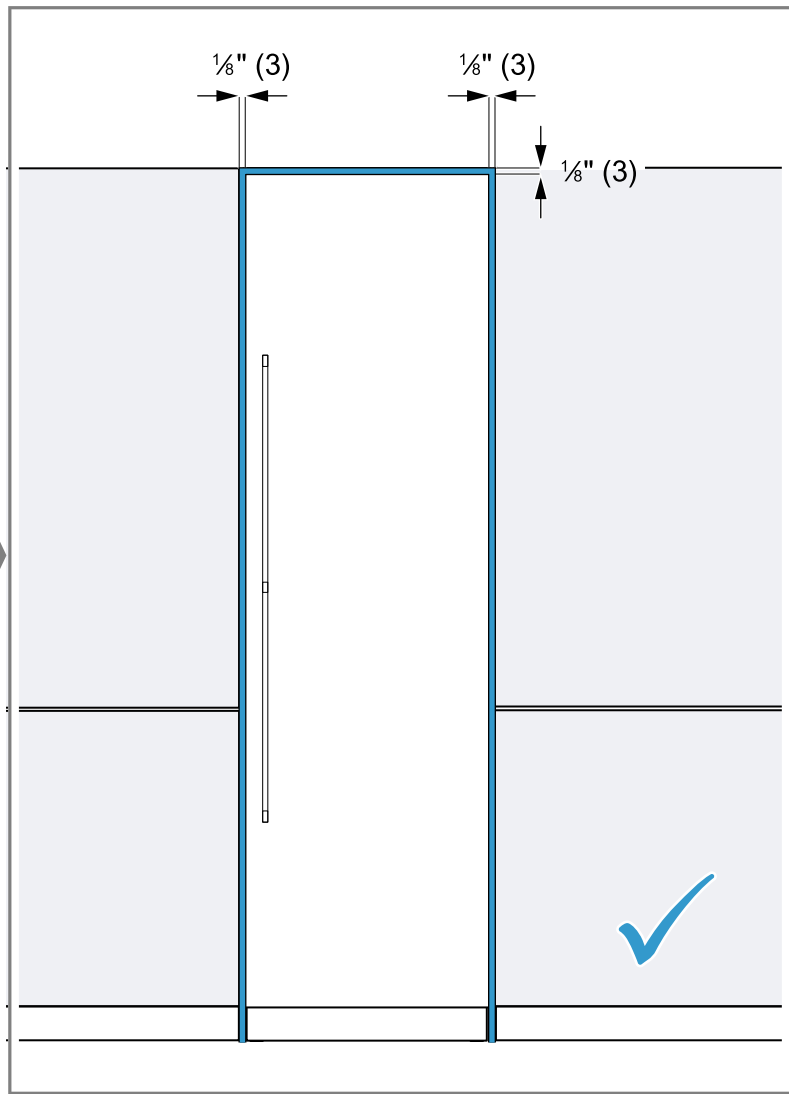
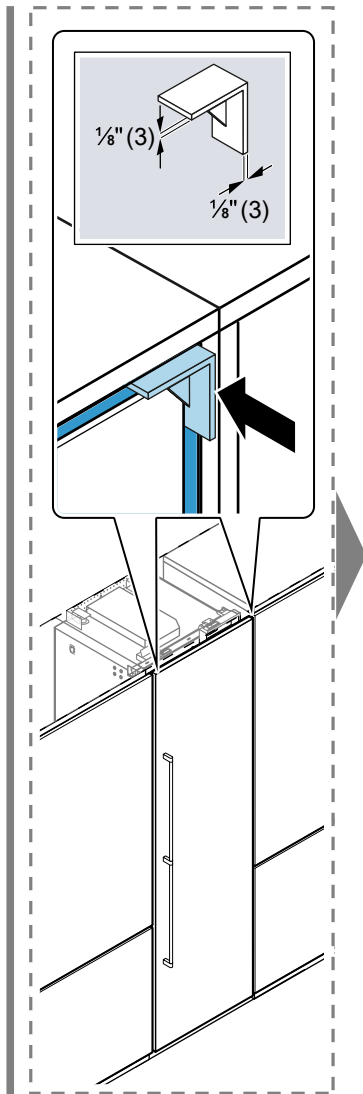
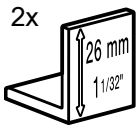


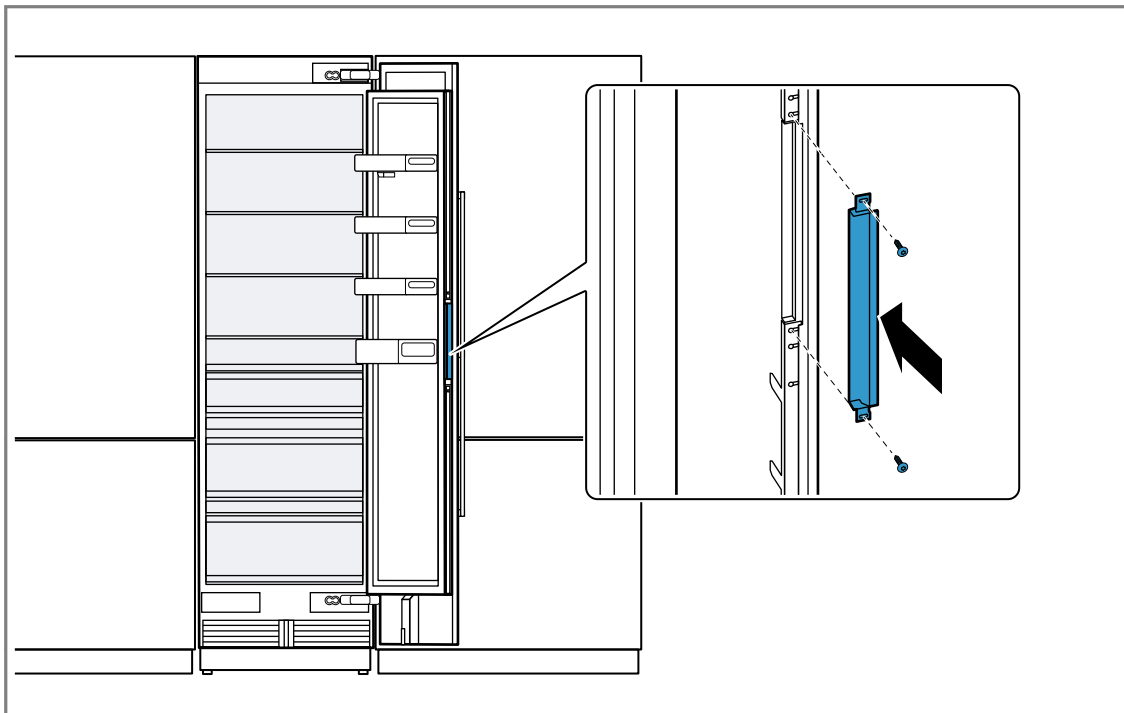
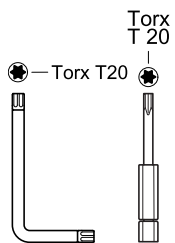
$\varnothing 1/16''$
(2 mm)

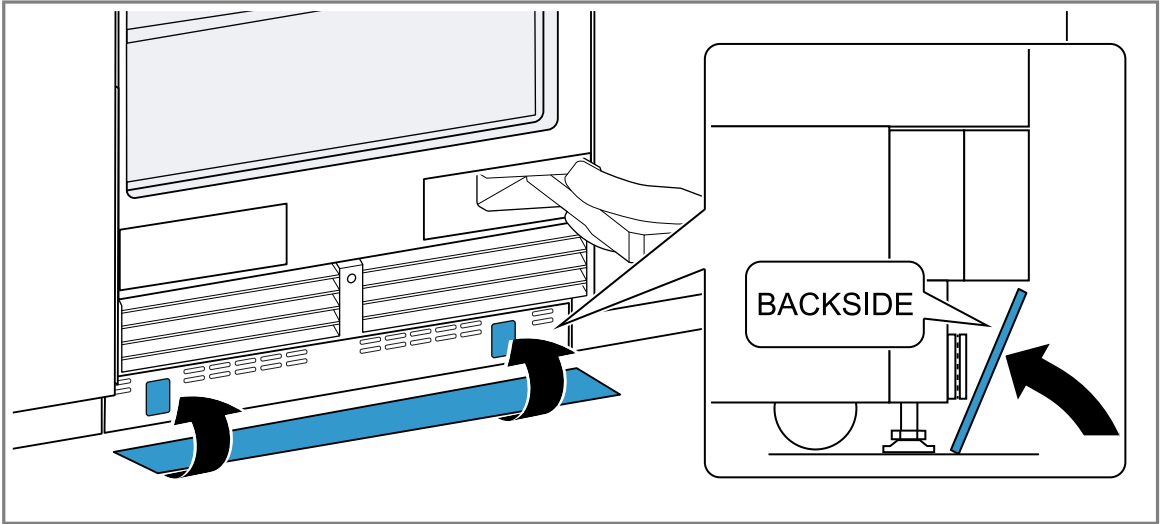
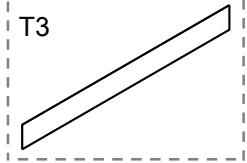
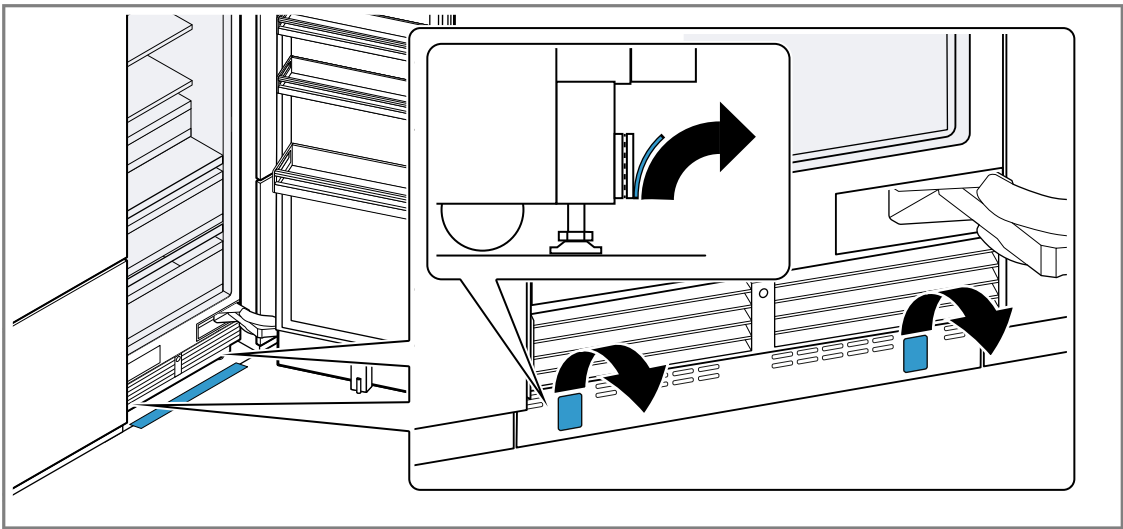


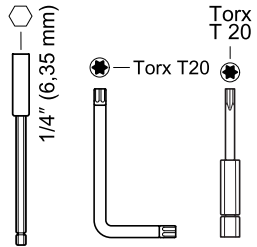
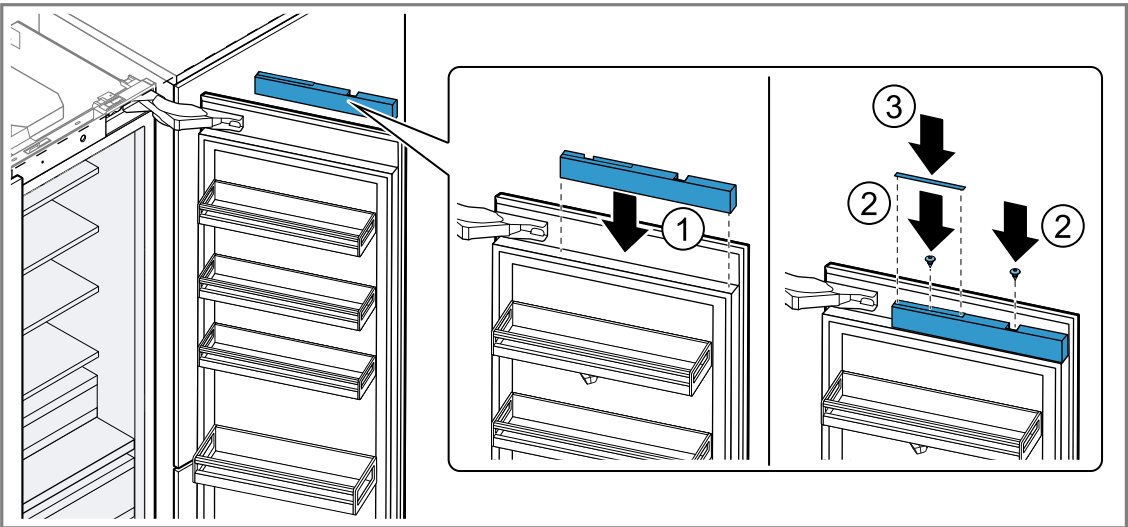
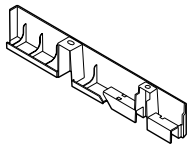
Torx
T 20

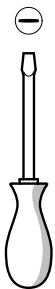
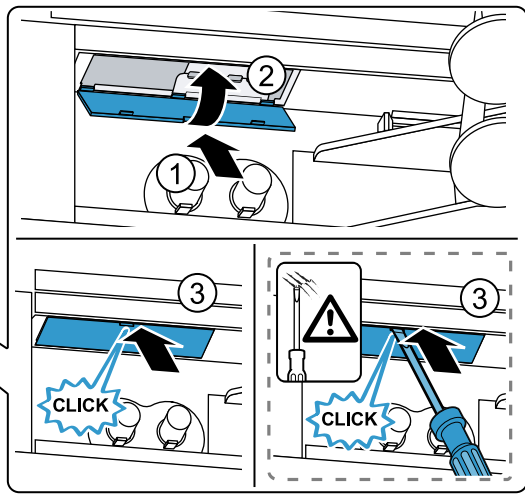
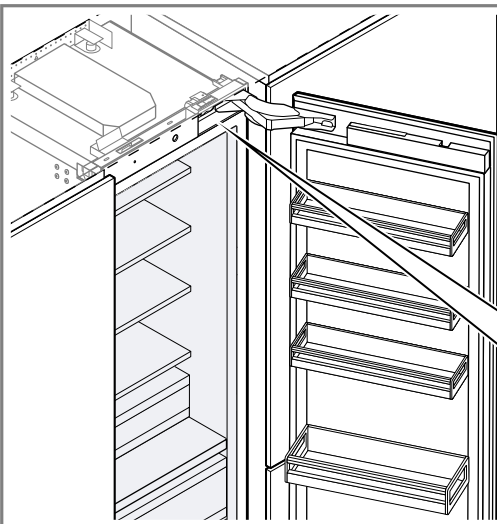
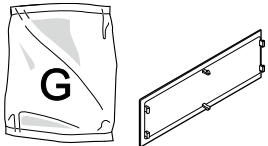


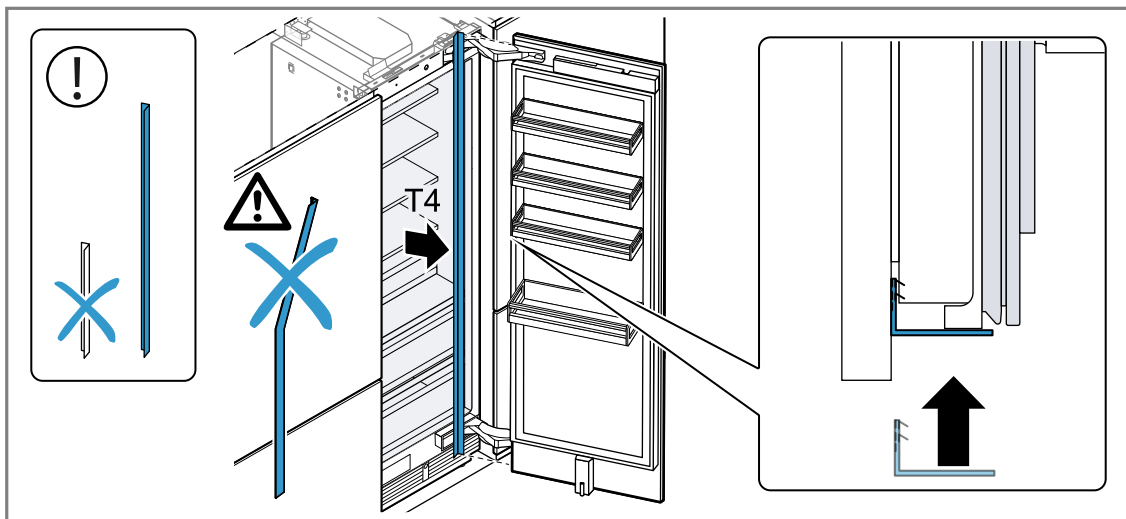
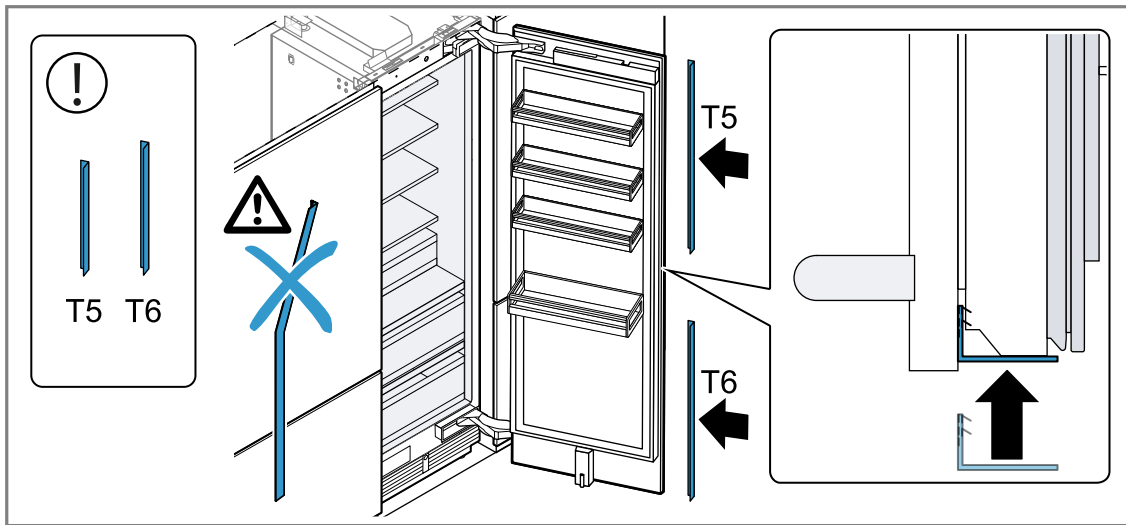
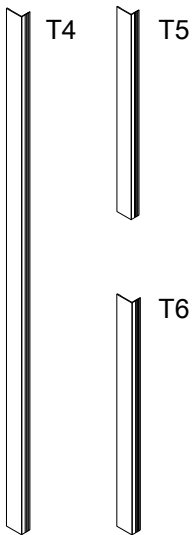


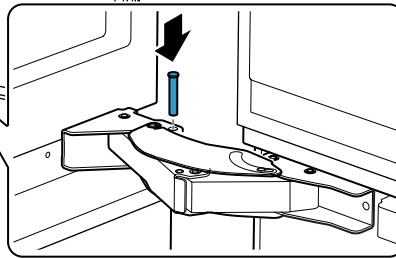
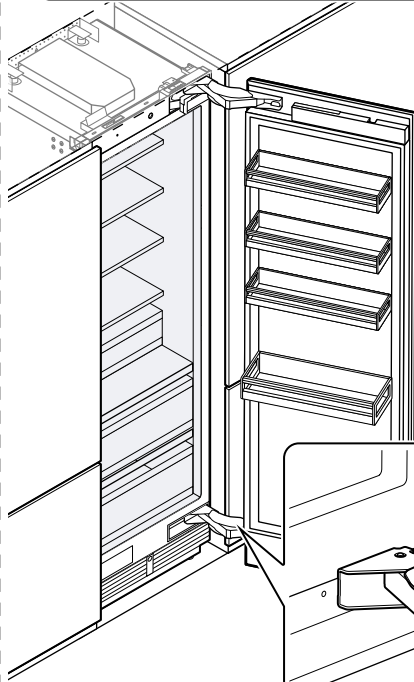
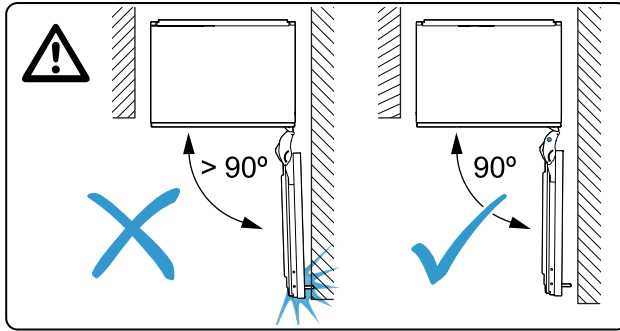


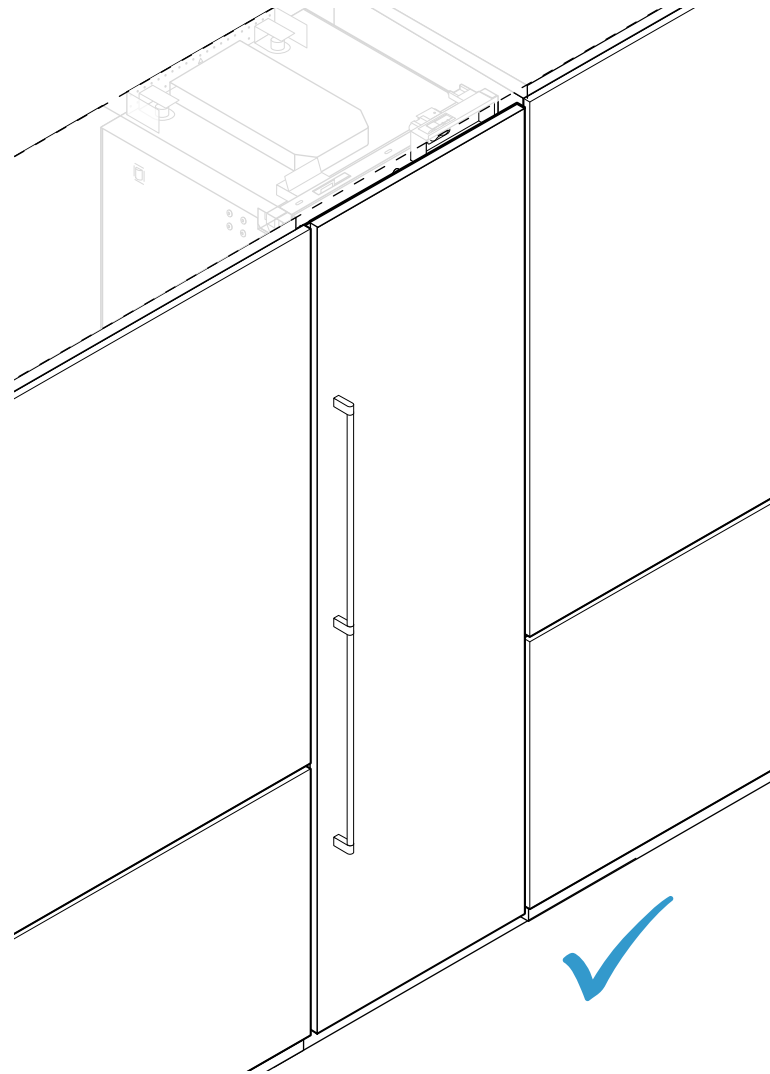














A series of horizontal lines for writing, starting from a vertical margin line on the left and extending to the right edge of the page.