

SIEMENS

HB.78GB.7B

Oven



EN User manual and installation instructions



Register your appliance on My Siemens
and discover exclusive services and offers.



You can find additional information and explanations online.
Scan the QR code on the title page.



Table of contents

INFORMATION FOR USE

| | | | | | |
|----|--|----|------|---|----|
| 1 | Safety | 2 | 13 | Basic settings | 16 |
| 2 | Preventing material damage | 5 | 14 | Home Connect | 17 |
| 3 | Environmental protection and saving energy | 5 | 15 | Cleaning and servicing | 19 |
| 4 | Familiarising yourself with your appliance | 6 | 16 | Self-cleaning | 20 |
| 5 | Accessories | 9 | 17 | Appliance door | 21 |
| 6 | Before using for the first time | 10 | 18 | Shelf supports | 25 |
| 7 | Basic operation | 10 | 19 | Troubleshooting | 25 |
| 8 | Rapid heating | 10 | 20 | Disposal | 27 |
| 9 | Time-setting options | 11 | 21 | Customer Service | 28 |
| 10 | Programmes | 12 | 22 | Declaration of Conformity | 28 |
| 11 | Childproof lock | 15 | 23 | How it works | 29 |
| 12 | Keeping warm over an extended period | 16 | 24 | INSTALLATION INSTRUCTIONS | 35 |
| | | | 24.1 | General installation instructions | 35 |

1 Safety

Observe the following safety instructions.

1.1 Definition of the signal words

This is where you can find explanations for the safety signal words used in this manual.

WARNING

This indicates that death or serious injuries may occur as a result of non-observance of this warning.

ATTENTION

This indicates that damage to the appliance or other material damage may occur as a result of non-compliance with this warning.

Note: This alerts you to important information.

1.2 General information

- Read this instruction manual carefully.
- Keep the instruction manual and the product information safe for future reference or for the next owner.
- Do not connect the appliance if it has been damaged in transit.

1.3 Intended use

This appliance is designed only to be built into kitchen units. Read the special installation instructions.

Only a licensed professional may connect appliances without plugs. Damage caused by incorrect connection is not covered under the warranty.

Only use this appliance:

- To prepare meals and drinks.
- in private households and in enclosed spaces in a domestic environment.
- Up to an altitude of 4000 m above sea level.

Do not use the appliance:

- with an external timer or a remote control.

1.4 Restriction on user group

This appliance may be used by children aged 8 or over and by people who have reduced physical, sensory or mental abilities or inadequate experience and/or knowledge, provided that they are supervised or have been instructed on how to use the appliance safely and have understood the resulting dangers.

Do not let children play with the appliance. Children must not perform cleaning or user maintenance unless they are at least 15 years old and are being supervised. Keep children under the age of 8 years away from the appliance and power cable.

1.5 Safe use

Always place accessories in the cooking compartment the right way round.

→ "Accessories", Page 9

⚠ **WARNING – Risk of fire!**

Combustible objects that are left in the cooking compartment may catch fire.

- ▶ Never store combustible objects in the cooking compartment.
- ▶ If smoke is emitted, the appliance must be switched off or the plug must be pulled out and the door must be held closed in order to stifle any flames.

Loose food remnants, fat and meat juices may catch fire.

- ▶ Before using the appliance, remove the worst of the food residues and remnants from the cooking compartment, heating elements and accessories.

Opening the appliance door creates a draught. Greaseproof paper may come into contact with the heating element and catch fire.

- ▶ Never place greaseproof paper loosely over accessories when preheating the appliance and while cooking.
- ▶ Always cut greaseproof paper to size and use a plate or baking tin to hold it down.

⚠ **WARNING – Risk of burns!**

The appliance and its parts that can be touched become hot during use.

- ▶ Caution should be exercised here in order to avoid touching heating elements.
- ▶ Young children under 8 years of age must be kept away from the appliance.

Accessories and cookware get very hot.

- ▶ Always use oven gloves to remove accessories or cookware from the cooking compartment.

When the cooking compartment is hot, any alcoholic vapours inside may catch fire. The appliance door may spring open. Hot steam and jets of flame may escape.

- ▶ Only use small quantities of drinks with a high alcohol content in food.

- ▶ Do not heat spirits ($\geq 15\%$ vol.) when undiluted (e.g. for marinating or pouring over food).
- ▶ Open the appliance door carefully.

⚠ **WARNING – Risk of scalding!**

The accessible parts of the appliance become hot during operation.

- ▶ Never touch these hot parts.
- ▶ Keep children at a safe distance.

Hot steam may escape when you open the appliance door. Steam may not be visible, depending on the temperature.

- ▶ Open the appliance door carefully.
- ▶ Keep children at a safe distance.

If there is water in the cooking compartment when it is hot, this may create hot steam.

- ▶ Never pour water into the cooking compartment when the cooking compartment is hot.

⚠ **WARNING – Risk of injury!**

Scratched glass in the appliance door may develop into a crack.

- ▶ Do not use any harsh or abrasive cleaners or sharp metal scrapers to clean the glass on the oven door, as they may scratch the surface.

The appliance and its parts that can be touched may have sharp edges.

- ▶ Take care when handling and cleaning them.
- ▶ If possible, wear protective gloves.

The hinges on the appliance door move when the door is opened and closed, which could trap your fingers.

- ▶ Keep your hands away from the hinges. Components inside the appliance door may have sharp edges.
- ▶ Wear protective gloves.

Alcoholic vapours may catch fire in the hot cooking compartment, and the appliance door may spring open and may fall off. The door panels may shatter and fragment.

→ "Preventing material damage", Page 5

- ▶ Only use small quantities of drinks with a high alcohol content in food.
- ▶ Do not heat spirits ($\geq 15\%$ vol.) when undiluted (e.g. for marinating or pouring over food).
- ▶ Open the appliance door carefully.

⚠ **WARNING – Risk of electric shock!**

Improper repairs are dangerous.

- ▶ Repairs to the appliance should only be carried out by trained specialist staff.
- ▶ Only use genuine spare parts when repairing the appliance.

- ▶ If the power cord or the appliance power cable of this appliance is damaged, it must be replaced with a special power cord or special appliance power cable, which is available from the manufacturer or its Customer Service.
- ▶ If the power cord of this appliance is damaged, it must be replaced by trained specialist staff.

If the insulation of the power cord is damaged, this is dangerous.

- ▶ Never let the power cord come into contact with hot appliance parts or heat sources.
- ▶ Never let the power cord come into contact with sharp points or edges.
- ▶ Never kink, crush or modify the power cord.

An ingress of moisture can cause an electric shock.

- ▶ Do not use steam- or high-pressure cleaners to clean the appliance.

If the appliance or the power cord is damaged, this is dangerous.

- ▶ Never operate a damaged appliance.
- ▶ Never pull on the power cord to unplug the appliance. Always unplug the appliance at the mains.
- ▶ If the appliance or the power cord is damaged, immediately unplug the power cord or switch off the fuse in the fuse box.
- ▶ Call customer service. → *Page 28*

Once the appliance has been installed, the openings in the back panel of the appliance must not be accessible to children.

- ▶ Read the special installation instructions.

⚠ WARNING – Risk of suffocation!

Children may put packaging material over their heads or wrap themselves up in it and suffocate.

- ▶ Keep packaging material away from children.
- ▶ Do not let children play with packaging material.

Children may breathe in or swallow small parts, causing them to suffocate.

- ▶ Keep small parts away from children.
- ▶ Do not let children play with small parts.

1.6 Halogen bulb

⚠ WARNING – Risk of burns!

The bulbs in the cooking compartment get very hot. There is still a risk of burning for some time after they have been switched off.

- ▶ Do not touch the glass cover.

- ▶ Avoid contact with your skin when cleaning.

⚠ WARNING – Risk of electric shock!

When changing the bulb, the bulb socket contacts are live.

- ▶ Before replacing the bulb, ensure that the appliance is switched off in order to prevent a potential electric shock.
- ▶ Also unplug the appliance from the mains or switch off the fuse in the fuse box.

1.7 Cleaning function

⚠ WARNING – Risk of fire!

Loose food remnants, fat and meat juices may catch fire when the cleaning function is in progress.

- ▶ Before you start the cleaning function, always remove coarse dirt from the cooking compartment.

- ▶ Never clean accessories at the same time.

The outside of the appliance gets very hot when the cleaning function is in progress.

- ▶ Never hang combustible objects, e.g. tea towels, on the door handle.

- ▶ Leave the front of the appliance clear.

- ▶ Keep children at a safe distance.

If the door seal is damaged, a large amount of heat is generated around the door.

- ▶ Do not scrub or remove the seal.

- ▶ Never operate the appliance if the seal is damaged or missing.

⚠ WARNING – Risk of serious harm to health!

The appliance gets very hot when the cleaning function is in progress. The non-stick coating on baking trays and tins is destroyed and noxious gases are released.

- ▶ Never clean non-stick baking trays or baking tins using the cleaning function.

- ▶ Never clean accessories at the same time.

⚠ WARNING – Risk of harm to health!

The cleaning function heats up the cooking compartment to a very high temperature so that food left over from roasting, grilling and baking will burn off. This process releases vapours, which can irritate mucous membranes.

- ▶ Keep the kitchen well ventilated while the cleaning function is running.

- ▶ Do not remain in the room for long periods.

- ▶ Keep children and pets away.

⚠ WARNING – Risk of burns!

The cooking compartment gets very hot when the cleaning function is in progress.

- ▶ Never open the appliance door.
- ▶ Allow the appliance to cool down.

- ▶ Keep children at a safe distance.

⚠ The outside of the appliance gets very hot when the cleaning function is in progress.

- ▶ Never touch the appliance door.
- ▶ Allow the appliance to cool down.
- ▶ Keep children at a safe distance.

2 Preventing material damage

2.1 General

ATTENTION

Alcoholic vapours may catch fire in the hot cooking compartment and cause permanent damage to the appliance. The appliance door may spring open due to an explosion and it may fall off. The door panels may shatter and fragment. Due to the resulting negative pressure, the cooking compartment may become considerably deformed inwards.

- ▶ Do not heat spirits ($\geq 15\%$ vol.) when undiluted (e.g. for marinating or pouring over food).

If there is water on the cooking compartment floor when operating the appliance at temperatures above $120\text{ }^{\circ}\text{C}$, this will damage the enamel.

- ▶ Do not use the appliance if there is water on the cooking compartment floor.
- ▶ Wipe away any water on the cooking compartment floor before operation.

Objects on the cooking compartment floor at over $50\text{ }^{\circ}\text{C}$ will cause heat to build up. The baking and roasting times will no longer be correct and the enamel will be damaged.

- ▶ Do not place any accessories, greaseproof paper or foil of any kind on the cooking compartment floor.
- ▶ Only place cookware on the cooking compartment floor if a temperature under $50\text{ }^{\circ}\text{C}$ has been set.

When the cooking compartment is hot, any water inside it will create steam. The change in temperature may cause damage.

- ▶ Never pour water into the cooking compartment when it is still hot.
- ▶ Never place cookware containing water on the cooking compartment floor.

The prolonged presence of moisture in the cooking compartment leads to corrosion.

- ▶ Allow the cooking compartment to dry after use.

- ▶ Do not keep moist food in the cooking compartment for a long time with the door closed.
- ▶ Do not store food in the cooking compartment.
- ▶ Take care not to trap anything in the appliance door. Fruit juice dripping from the baking tray leaves stains that cannot be removed.

- ▶ When baking very juicy fruit flans, do not pack too much on the baking tray.
- ▶ If possible, use the deeper universal pan. Using oven cleaner in a hot cooking compartment damages the enamel.

- ▶ Never use oven cleaner in the cooking compartment when it is still warm.
- ▶ Remove all food remnants from the cooking compartment and the appliance door before you next heat up the appliance.

If the seal is very dirty, the appliance door will no longer close properly during operation. This may damage the front of adjacent kitchen units.

- ▶ Keep the seal clean at all times.
- ▶ Never operate the appliance if the seal is damaged or missing.

Sitting or placing objects on the appliance door may damage it.

- ▶ Do not place, hang or support objects on the appliance door.
- ▶ Do not place cookware or accessories on the appliance door.

With certain models, accessories may scratch the door pane when closing the appliance door.

- ▶ Always push accessories fully into the cooking compartment.

If aluminium foil comes into contact with the door pane, it could cause permanent discolouration.

- ▶ Do not allow aluminium foil in the cooking compartment to come into contact with the door pane.

3 Environmental protection and saving energy

3.1 Disposing of packaging

The packaging materials are environmentally compatible and can be recycled.

- ▶ Sort the individual components by type and dispose of them separately.

3.2 Saving energy

If you follow these instructions, your appliance will use less power.

Only preheat the appliance if the recipe or the recommended settings tell you to do so.

→ "How it works", Page 29

- ✓ Not preheating the appliance can reduce the energy used by up to 20%.

Use dark-coloured, black-coated or enamelled baking tins.

- ✓ These types of baking tin absorb the heat particularly well.

Open the appliance door as little as possible during operation.

- ✓ This maintains the temperature in the cooking compartment and eliminates the need for the appliance to reheat.

When baking multiple dishes, do so in succession or in parallel.

- ✓ The cooking compartment is heated after baking the first dish. This reduces the baking time for the subsequent cakes.

For longer cooking times, you can switch the appliance off 10 minutes before the cooking time ends.

- ✓ There is sufficient residual heat to finish cooking the dish.

Remove any accessories that are not being used from the cooking compartment.

- ✓ Accessories that are not being used do not need to be heated.

Allow frozen food to defrost before cooking.

- ✓ This saves the energy that would otherwise be required to defrost it.

Note: In accordance with the EU Ecodesign Directive 2023/826, this appliance is in a different state when switched off. This is referred to below as low power mode.

Even when the main function is not active, the appliance needs energy for:

- Detecting operation of the touch keys
- Monitoring door opening
- Editing the time (without display)

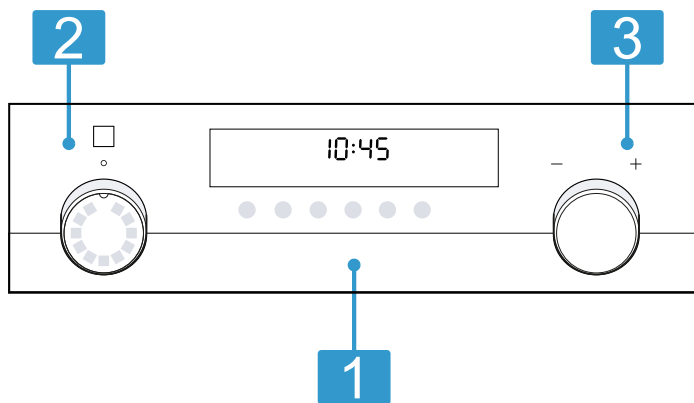
By definition, therefore, there is neither an “off” nor a “standby” mode, which is why the term low power mode is used. EN IEC 60350-1:2023 must be used to measure low power mode.

4 Familiarising yourself with your appliance

4.1 Controls

You can use the control panel to configure all functions of your appliance and to obtain information about the operating status.

Note: On certain models, specific details such as colour and shape may differ from those pictured.



Buttons and display

The buttons are touch-sensitive surfaces. To select a function, simply press lightly on the relevant field.

1

The display shows symbols for active functions

and the time-setting options.

→ "Buttons and display", Page 6

Function selector

Use the function selector to set the types of heating and other functions.

2

You can turn the function selector clockwise or anti-clockwise from the zero setting 0.

Depending on the appliance, the function selector can be pushed in. Press on the function selector to click it into or out of the zero setting 0.

→ "Types of heating and functions", Page 7

Temperature selector

Use the temperature selector to set the temperature for the type of heating and select settings for other functions.

3


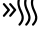

You can turn the temperature selector clockwise and anti-clockwise; it does not have a zero setting. Depending on the appliance, the temperature selector can be pushed in. Press on the temperature selector to click it in or out.

4.2 Buttons and display

You can use the buttons to set various functions for your appliance. The display shows the settings.

If a function is active, the corresponding symbol lights up on the display. The clock symbol ⌚ only lights up when you change the time.









| Symbol | Function | Use |
|--------|----------------------|--|
| ⌚ | Time-setting options | Select the time ⌚, timer ⌚, cooking time ⌚ and end time ⌚. To select the individual time-setting options, press the ⌚ button several times. The arrows ⏪ above and below a symbol indicate the function to which the setting on the display corresponds. → "Time-setting options", Page 11 |
| – | Minus | Decrease the setting values. |
| + | Plus | Increase the setting values. |

| Symbol | Function | Use |
|--|-----------------|--|
|  | Oven light | Switch the lighting in the cooking compartment on and off. |
|  | Rapid heating | Preheat the cooking compartment rapidly without accessories. → "Rapid heating", Page 10 |
|  | Childproof lock | Activate or deactivate the child lock. → "Childproof lock", Page 15 |

4.3 Types of heating and functions




To ensure that you always find the right type of heating to cook your food, we explain the differences and applications below.

When you select a type of heating, the appliance suggests a suitable temperature or setting. You can use these values or change them within the specified range.

| Symbol | Type of heating and temperature range | What it's used for/how it works |
|--|--|---|
|  | 3D hot air 30 - 275 °C | Bake or roast on one or more levels. The fan distributes the heat from the ring-shaped heating element in the back wall evenly around the cooking compartment. |
|  | Hot air gentle 125 - 275 °C | Cook selected dishes gently on one level without preheating. The fan distributes the heat from the ring-shaped heating element in the back wall evenly around the cooking compartment. The food is cooked in phases using residual heat. Always keep the appliance door closed when cooking. If you open the appliance door even briefly, the appliance will continue to heat without utilising any residual heat. This type of heating is used to determine the energy consumption in air recirculation mode and the energy efficiency class. |
|  | Pizza setting 30°-275°C | Cook pizza or food that requires a lot of heat from below. The bottom heating element and the ring heating element in the back wall heat the cooking compartment. |
|  | Low-temperature cooking 70°-120°C | Slowly and gently cook seared, tender pieces of meat in uncovered cookware. The heat is emitted evenly from above and below at a low temperature. |
|  | Hot air grilling 30 - 275 °C | Roast poultry, whole fish or larger pieces of meat. The grill element and the fan switch on and off alternately. The fan circulates the hot air around the food. |
|  | Full-surface grill Grill settings: 1 = low 2 = medium 3 = high | Grill flat items such as vegetables and sausages, or make toast. Gratinated food. The entire area below the grill element becomes hot. |
|  | coolStart function 30 - 275 °C | Prepare frozen products quickly, without preheating. Adjust the temperature and the cooking time according to the manufacturer's specifications on the packaging. Set the highest temperature indicated, set the cooking time as indicated or set a shorter time. Place the food in at level 3. |
|  | Top/bottom heating 30°-275°C | Traditionally bake or roast on one level. This type of heating is especially good for cakes with moist toppings. The heat is emitted evenly from above and below. This type of heating is used to measure the energy consumption in the conventional mode. |

Other functions

This is where you can find an overview of other functions of your appliance.

| Symbol | Function | Use |
|--|---------------|---|
|  | Oven light | Light up the cooking compartment without heating. |
|  | Programmes | Set the programme function. → "Programmes", Page 12 |
|  | Self-cleaning | Cleans the cooking compartment almost by itself. → " Self-cleaning ", Page 20 |

| Symbol | Function | Use |
|--------|--------------|--|
| | Home Connect | <p>Start and operate the appliance via the Home Connect app.</p> <ul style="list-style-type: none"> ▪ Home network not connected ▪ Remote diagnostics activated ▪ Home network and Home Connect server connected <p>The number of lines shows the signal strength of the home network</p> <ul style="list-style-type: none"> ▪ Home Connect server not connected ▪ |

Note: If you operate your appliance with the Home Connect app, even more functions are available for you. You can find more information about this in the app.

Functions with Home Connect

If you operate your appliance with the Home Connect app, even more functions are available for you. Find out about the functions currently available in the app.

4.4 Temperature and setting levels

There are different settings for the types of heating and functions.

The settings appear on the display.

The temperature can be set in 1 degree increments up to 100 °C, and in 5 degree increments thereafter.

Note: For grill setting 3, the appliance lowers the setting to grill setting 1 after approx. 20 minutes.

Heat-up indicator

The appliance indicates when it is heating up.

When the appliance is heating, the symbol fills with colour on the display.

When you preheat the appliance, the optimal time to place your food in the cooking compartment is as soon as the symbol is completely filled with colour.

Residual heat indicator

If you switch off the appliance, the symbol on the display shows the residual heat in the cooking compartment. The lower the temperature in the cooking compartment, the less the symbol is filled.

Notes

- The heat-up indicator only shows the temperature increasing for types of heating for which a temperature is set. For grill settings, for example, the heat-up indicator shows a full line from the beginning.
- If the temperature in the cooking compartment is too high when the appliance is started, appears on the display for some types of heating. Switch off the appliance and allow it to cool down. Then restart the operation.
- Due to thermal inertia, the temperature displayed may differ slightly from the actual temperature inside the cooking compartment.

4.5 Cooking compartment

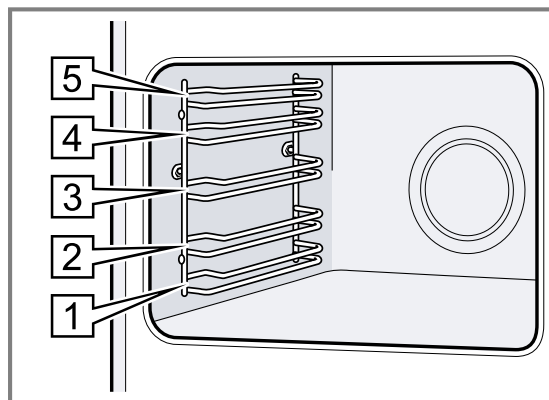
The functions in the cooking compartment make your appliance easier to use.

Shelf supports

The shelf supports in the cooking compartment enable you to place accessories at different heights. Your appliance has 5 shelf positions. The shelf positions are numbered from bottom to top.

You can remove the shelf supports, e.g. for cleaning.

→ "Shelf supports", Page 25



Cooling fan

The cooling fan switches on automatically during operation. The hot air escapes above the door.

The appliance detects increased moisture in the cooking compartment. The intensity and operating noise of the cooling fan may vary to regulate the moisture.

ATTENTION

Covering the ventilation slots will cause the appliance to overheat.

- ▶ Do not cover the ventilation slots.

To cool down the appliance and remove residual moisture from the cooking compartment, the cooling fan runs for a certain time after operation.

Note: You can change the run-on time in the basic settings. If you frequently prepare very moist food or keep it warm in the cooking compartment, set a longer run-on time.

→ "Basic settings", Page 16

Appliance door

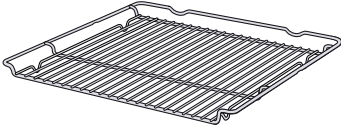
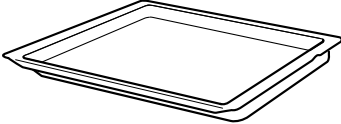
If you open the appliance door during operation, the appliance stops heating. When you close the appliance door, the appliance continues to heat again.

5 Accessories

Use original accessories. These have been made especially for your appliance.

Note: Accessories may become deformed if they get hot. Deformation has no effect on function. As the accessory cools down, it will regain its original shape.

The accessories supplied may differ depending on the appliance model.

| Accessories | | Use |
|---------------|---|---|
| Wire rack |  | <ul style="list-style-type: none"> ■ Cake tins ■ Ovenproof dishes ■ Tableware ■ Meat, e.g. roasting joints or steak ■ Frozen meals |
| Universal pan |  | <ul style="list-style-type: none"> ■ Moist cakes ■ Baked items ■ Bread ■ Large roasts ■ Frozen meals ■ Catching dripping liquids, e.g. fat when grilling food on the wire rack. |

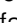
5.1 Locking function

The locking function prevents the accessories from tilting when they are pulled out.

You can pull out the accessories approximately halfway without them tipping. The accessories must be inserted into the cooking compartment correctly for the tilt protection to work properly.

5.2 Sliding accessories into the cooking compartment

Always slide the accessory into the cooking compartment the right way round. This is the only way to ensure that accessories can be pulled out approximately halfway without tipping.


1. Turn the accessories so that the notch  is at the rear and is facing downwards.
2. Insert the accessory between the two guide rods for a shelf position.

3. Push the accessory all the way in, making sure that it does not touch the appliance door.

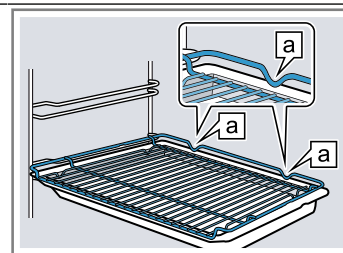
Note: Take any accessories that you will not be using out of the cooking compartment while the appliance is in operation.

Combining accessories

You can combine the wire rack with the universal pan to catch any liquid that drips down.

1. Place the wire rack on the universal pan so that both spacers  are on the rear edge of the universal pan.
2. Insert the universal pan between the two guide rods for a shelf position. In so doing, the wire rack is on top of the upper guide rod.

Wire rack
on universal
pan




5.3 Other accessories

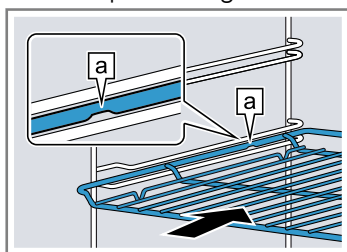
You can purchase other accessories from our customer service, specialist retailers or online.


You will find a comprehensive range of products for your appliance in our brochures and online: siemens-home.bsh-group.com

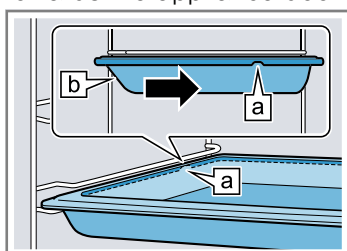
Accessories are appliance-specific. When purchasing accessories, always quote the exact product number (E no.) of your appliance.

You can find out which accessories are available for your appliance in our online shop or from our customer service.

Pan support Insert the wire rack with the open side facing the appliance door and the curved lip  facing downwards.



Tray
E.g. universal pan or baking tray Slide the tray in with the sloping edge  towards the appliance door.



6 Before using for the first time

Configure the settings for initial start-up. Clean the appliance and accessories.

6.1 Initial use

You need to make settings for initial use before you can use your appliance.

Setting the time on the clock

Once the appliance has been connected to the mains or following a power failure, the time flashes on the display. The time starts at "12:00". Set the current time.

Requirement: The function selector must be set to the "Off" position .

1. Use the – or + button to set the time.
2. Press the ⊖ button.
- ✓ The time that is set appears in the display.

6.2 Cleaning the appliance before using it for the first time

Before using the appliance to cook food for the first time, you must clean the cooking compartment and accessories.

1. Remove the product information and the accessories from the cooking compartment. Remove any leftover packaging, such as polystyrene pellets, and any adhesive tape that is in or on the appliance.
2. Wipe the smooth surfaces in the cooking compartment with a soft, damp cloth.
3. Set the type of heating and the temperature.
→ "Basic operation", Page 10

| | |
|-----------------|------------|
| Type of heating | 3D hot air |
| Temperature | Maximum |
| Duration | 1 hour |

4. Ventilate the kitchen while the appliance is heating.
5. Switch off the appliance after the specified cooking time.
6. Once the appliance has cooled down, clean the smooth surfaces in the cooking compartment with a detergent solution and a dish cloth.
7. Clean the accessories with soapy water and a dish cloth or soft brush.

7 Basic operation

7.1 Switching on the appliance

- ▶ Turn the function selector to any position other than the "Off" position o.
- ✓ The appliance is switched on.

7.2 Setting the type of heating and temperature

1. Use the function selector to set the type of heating.
2. Use the temperature selector to set the temperature or grill setting.- ✓ The appliance starts heating after a few seconds.
- ✓ Depending on the appliance type, rapid heating »»» automatically switches off for set temperatures of 200 °C and above for certain types of heating.
3. When your food is ready, switch off the appliance.

Tips

- The most suitable type of heating for your food can be found in the description of the type of heating.
→ "Types of heating and functions", Page 7

- You can also set a cooking time and end time on the appliance.
→ "Time-setting options", Page 11

Changing the type of heating

You can change the type of heating at any time.

- ▶ Use the function selector to set the required type of heating.

Changing the temperature

You can change the temperature at any time.

- ▶ Use the temperature selector to set the required temperature.

7.3 Switching off the appliance

- ▶ Turn the function selector to the "Off" position o.
- ✓ The appliance is switched off.

8 Rapid heating

To save time, you can use rapid heating to shorten the preheat time.

8.1 Suitable types of heating for rapid heating

Rapid heating can shorten the preheating time for set temperatures over 100 °C.

Rapid heating is possible for the following types of heating:

- **3D hot air** 
- **Top/bottom heating** 

8.2 Setting rapid heating

To ensure an even cooking result, do not place the food in the cooking compartment until rapid heating has come to an end.

Note: Do not set a cooking time until rapid heating has come to an end.

1. Set a suitable type of heating and a temperature of at least 100 °C.
Rapid heating automatically switches on at temperatures of 200 °C and above.
2. If rapid heating does not switch off automatically, press the »||| button.
 - ✓ »||| appears on the display.
 - ✓ Rapid heating starts after a few seconds.
 - ✓ Once rapid heating has ended, a signal tone sounds and the »||| symbol goes out on the display.
3. Place the food in the cooking compartment.

9 Time-setting options

Your appliance has different time-setting options, with which you can control its operation.

9.1 Overview of the time-setting options

Use the ☹ button to select the different time-setting options.

| Time-setting option | Use |
|---------------------|---|
| Timer ⏰ | The timer can be set independently of the appliance when it is in operation. It does not affect the appliance. |
| Cooking time ⏸ | If you set a cooking time, operation of the appliance stops automatically once this time has elapsed. |
| End time → | For the cooking time, you can set the time at which operation ends. The appliance starts up automatically so that it finishes cooking at the required time. |
| Time ☹ | You can set the time. |

9.2 Setting the timer

The timer runs independently during the operation. You can set the timer to times of up to 23 hours and 59 minutes, regardless of whether the appliance is on or off. The timer has its own signal so that you can tell whether it is the timer or a cooking time that has elapsed.

1. Press the ☹ button repeatedly until ⏰ is highlighted on the display.
2. Use the – or + button to set the timer duration.

| Button | Default value |
|--------|---------------|
| – | 5 minutes |
| + | 10 minutes |

The timer duration can be set in 30-second increments up to 10 minutes. The time increments then become bigger as the value increases.

- ✓ The timer starts and the timer duration begins to count down after a few seconds.
 - ✓ An audible signal sounds and the timer duration is zero in the display when the timer duration has elapsed.
3. Once the timer duration has elapsed:
 - ▶ Press any button to switch off the timer.

Changing the timer

You can change the timer duration at any time.

Requirement: ⏰ is highlighted on the display.

- ▶ Use the – or + button to change the timer duration.
- ✓ The appliance applies the change after a few seconds.

Cancelling the timer

You can cancel the timer duration at any time.

Requirement: ⏰ is highlighted on the display.

- ▶ Use the – button to reset the timer duration to zero.
- ✓ After a few seconds, the appliance applies the change and ⏰ goes out.

9.3 Setting the cooking time

You can set the cooking time for operation of up to 23 hours 59 minutes.

Requirement: The type of heating and a temperature or setting have been set.

1. Press the ☹ button repeatedly until ⏸ is highlighted on the display.
2. Use the – or + button to set the time.

| Button | Default value |
|--------|---------------|
| – | 10 minutes |
| + | 30 minutes |

The cooking time can be set in one-minute increments up to one hour, and then in five-minute increments.

- ✓ After a few seconds, the appliance starts heating and the cooking time counts down.
 - ✓ When the cooking time has elapsed, a signal sounds and the duration is at zero on the display.
3. Once the cooking time has elapsed:
 - ▶ Press any button to end the signal prematurely.
 - ▶ To set another cooking time, press the + button.
 - ▶ When your food is ready, switch off the appliance.

Changing the cooking time

You can change the cooking time at any time.

Requirement: ⏸ is highlighted on the display.

- ▶ Change the cooking time using the – or + button.
- ✓ The appliance applies the change after a few seconds.

Cancelling the cooking time

You can cancel the cooking time at any time.

Requirement: → is highlighted on the display.

- ▶ Reset the cooking time to zero using the — button.
- ✓ After a few seconds, the appliance applies the change and continues to heat without a cooking time.

9.4 Setting the end time

You can delay the time at which cooking is due to finish by up to 23 hours and 59 minutes.

Notes

- In order to achieve a good cooking result, do not delay the end time once the appliance is already in operation.
- Food will spoil if you leave it in the oven cavity too long.

Requirements

- The type of heating and a temperature or setting have been set.
 - A cooking time is set.
1. Press the ⊖ button repeatedly until → is highlighted in the display.
 2. Press the — or + button.
 - ✓ The display shows the calculated end time.
 3. Use the — or + button to delay the end time.
 - ✓ After a few seconds, the appliance applies the setting and the display shows the set end time.
 - ✓ Once the calculated start time is reached, the appliance starts heating up and the cooking time counts down.
 - ✓ When the cooking time has elapsed, a signal sounds and the duration is at zero on the display.

4. Once the cooking time has elapsed:

- ▶ Press any button to end the signal prematurely.
- ▶ To set another cooking time, press the + button.
- ▶ When your food is ready, switch off the appliance.

Changing the end time

In order to achieve a good cooking result, you can only change the set end time before operation starts and the cooking time starts counting down.

Requirement: → is highlighted on the display.

- ▶ Use the — or + button to delay the end time.
- ✓ The appliance applies the change after a few seconds.

Cancelling the end time

You can delete the set end time at any time.

Requirement: → is highlighted on the display.

- ▶ Reset the end time to the current time plus the set cooking time using the — button.
- ✓ After a few seconds, the appliance applies the change and starts heating up. The cooking time counts down.

9.5 Setting the time on the clock

Once the appliance has been connected to the mains or following a power failure, the time flashes on the display. The time starts at "12:00". Set the current time.

Requirement: The function selector must be set to the "Off" position .

1. Use the — or + button to set the time.
2. Press the ⊖ button.
- ✓ The time that is set appears in the display.

10 Programmes

The programmes help you to use your appliance to prepare different dishes by selecting the optimum settings automatically.

10.1 Cookware for programmes

You should therefore use heat-resistant cookware that is suitable for temperatures up to 300 °C.

Glass or glass ceramic cookware is best. The joint should cover approx. two thirds of the cookware base.

Cookware made from the following material is not suitable:

- Bright, shiny aluminium

- Unglazed clay
- Plastic or plastic handles

10.2 Settings for programmes

The appliance selects the optimal type of heating, temperature and cooking time.

To achieve an optimal cooking result, you only have to set the weight of your meal.

Note: The cooking result depends on the quality and composition of the food. Use fresh and, ideally, chilled food.

10.3 Programme table

The programme numbers are assigned to specific foods.

| No | Food | Cookware | Weight range Weight setting | Add liquid | Shelf position | Information |
|----|--------------------------------------|---|--------------------------------|------------|----------------|--|
| 01 | Pizza, thin base Frozen, prebaked | Universal pan with greaseproof paper | 0.28 - 0.4 kg Total weight | No | 3 | For a second pizza, follow the instructions on the packaging |

| No | Food | Cookware | Weight range Weight setting | Add liquid | Shelf position | Information |
|----|--|--------------------------------------|--|---|----------------|--|
| 02 | Pizza, deep-pan Frozen, prebaked | Universal pan with greaseproof paper | 0.28 - 0.6 kg Total weight | No | 3 | For a second pizza, follow the instructions on the packaging |
| 03 | Lasagne Frozen | Original packaging | 0.3 - 1.2 kg Total weight | No | 3 | - |
| 04 | Chips Frozen | Universal pan. | 0.2 - 0.75 kg Total weight | No | 3 | Spread out beside each other on the universal pan |
| 05 | Prebaked bread rolls Frozen, prebaked | Universal pan with greaseproof paper | 0.1–0.8 kg Total weight | No | 3 | - |
| 06 | Potato gratin | Ovenproof dish without lid | 0.5–3.0 kg Total weight | No | 2 | - |
| 07 | Pasta bake With precooked pasta | Ovenproof dish without lid | 0.4 - 3.0 kg Total weight | No | 2 | - |
| 08 | Baked potatoes, whole Unpeeled, starchy potatoes | Universal pan | 0.3–1.5 kg Total weight | No | 3 | - |
| 09 | Vegetable stew Vegetarian | Deep roasting dish with lid | 0.5–2.5 kg Total weight | As per recipe | 2 | Cut vegetables that take longer to cook (e.g. carrots) into smaller pieces than vegetables that take less time to cook (e.g. tomatoes) |
| 10 | Meat stew | Deep roasting dish with lid | 0.5–3.0 kg Total weight | As per recipe | 2 | Do not sear the meat beforehand |
| 11 | Goulash Beef or pork, diced with vegetables | Deep roasting dish with lid | 0.5–2.5 kg Total weight | As per recipe | 2 | Place the meat at the bottom and cover with vegetables Do not sear the meat beforehand |
| 12 | Fish, whole Ready to cook, seasoned | Roasting dish with lid | 0.3–1.5 kg Weight of fish | Cover the bottom of the roasting dish | 2 | - |
| 13 | Chicken, unstuffed Ready to cook, seasoned | Roasting dish with glass lid | 0.6 - 2.5 kg Chicken weight | No | 2 | Place in the cookware with the breast facing up |
| 14 | Chicken pieces Ready to cook, seasoned | Roasting dish with lid | 0.1–0.8 kg Weight of the heaviest piece | Cover the bottom of the roasting dish | 2 | - |
| 15 | Turkey breast Whole, seasoned | Roasting dish with glass lid | 0.5–2.5 kg Turkey breast weight | Cover the bottom of the roasting dish, and add up to 250 g vegetables if required | 2 | - |
| 16 | Duck, unstuffed Ready to cook, seasoned | Roasting pan without lid | 1.0 - 2.7 kg Duck weight | No | 2 | - |
| 17 | Goose, unstuffed Ready to cook, seasoned | Roasting pan without lid | 2.5 - 3.5 kg Goose weight | No | 2 | - |
| 18 | Pot-roasted beef | Roasting dish with lid | 0.5–2.5 kg Weight of meat | Almost cover the meat with liquid | 2 | Do not sear the meat beforehand |

| No | Food | Cookware | Weight range Weight setting | Add liquid | Shelf position | Information |
|----|---|------------------------------|---|--|----------------|---|
| | E.g. prime rib, shoulder, rump or marinated beef roast | | | | | |
| 19 | Sirloin, medium Ready to cook, seasoned | Roasting pan without lid | 0.5–2.5 kg Weight of meat | No | 2 | Place in the cookware with the fatty side up Do not sear the meat beforehand |
| 20 | Beef roulades Stuffed with vegetables or meat | Roasting dish with lid | 0.5–2.5 kg Total weight of all of the stuffed roulades | Add stock or water, for example, to the dish until the roulades are almost covered | 2 | Do not sear the meat beforehand |
| 21 | Meat loaf, fresh Minced beef, pork or lamb | Roasting dish with lid | 0.5–2.5 kg Weight of the joint | No | 2 | Do not sear the meat beforehand |
| 22 | Leg of lamb, medium Boned, seasoned | Roasting dish with lid | 0.5–2.5 kg Weight of meat | Cover the bottom of the roasting dish, and add up to 250 g vegetables if required | 2 | Do not sear the meat beforehand |
| 23 | Leg of lamb, well-done Boned, seasoned | Roasting dish with lid | 0.5–2.5 kg Weight of meat | Cover the bottom of the roasting dish, and add up to 250 g vegetables if required | 2 | Do not sear the meat beforehand |
| 24 | Joint of veal, marbled E.g. saddle or topside | Roasting dish with lid | 0.5–3.0 kg Weight of meat | Cover the bottom of the roasting dish, and add up to 250 g vegetables if required | 2 | Do not sear the meat beforehand |
| 25 | Joint of veal, lean E.g. tenderloin or eye | Roasting dish with lid | 0.5–2.5 kg Weight of meat | Cover the bottom of the roasting dish, and add up to 250 g vegetables if required | 2 | Do not sear the meat beforehand |
| 26 | Leg of roe venison Boned, seasoned with salt | Roasting dish with lid | 0.5–2.0 kg Weight of meat | Cover the bottom of the roasting dish, and add up to 250 g vegetables if required | 2 | - |
| 27 | Rabbit, whole Ready to cook, seasoned | Roasting dish with glass lid | 1.0 - 2.5 kg Weight of meat | Cover the bottom of the roasting dish, and add up to 250 g vegetables if required | 2 | - |

| No | Food | Cookware | Weight range Weight setting | Add liquid | Shelf position | Information |
|----|--|------------------------------|--------------------------------|---|----------------|---|
| 28 | Pork neck joint Boned, seasoned | Roasting dish with glass lid | 0.5–3.0 kg Weight of meat | Cover the bottom of the roasting dish, and add up to 250 g vegetables if required | 2 | Do not sear the meat beforehand |
| 29 | Joint of pork, with crackling E.g. shoulder, seasoned, and scored rind | Roasting dish with glass lid | 0.5–3.0 kg Weight of meat | Cover the bottom of the roasting dish, and add up to 250 g vegetables if required | 2 | Place in the cookware fatty side up; salt the rind well |
| 30 | Pork tenderloin steak Seasoned | Roasting dish with glass lid | 0.5–2.5 kg Weight of meat | Cover the bottom of the roasting dish, and add up to 250 g vegetables if required | 2 | Do not sear the meat beforehand |

10.4 Preparing food for the programme

Use fresh and, ideally, chilled food. Use frozen food straight from the freezer.

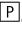


1. Weigh the food.
The weight of the food is required in order to correctly set the programme.
2. Add the food to the cookware.
3. Place the cookware onto the wire rack.
Always place the cookware into the cooking compartment while it is cold.

10.5 Setting a programme

The appliance selects the optimal type of heating, temperature and cooking time. All you need to do is set the weight.

Notes

- You can set the weight only in the intended area.
- After the programme starts, you can no longer change the programme and the weight.



1. Use the function selector to set **Programmes** .
2. Use the – or + button to set the required programme.
3. Use the temperature selector to set the weight of your food. Always set the next higher weight.
 - ▶ To call up the programme's cooking time, press the  button. The cooking time cannot be changed.
 - ▶ For some programmes, the  button can be used to delay the end.
- ✓ After a few seconds, the programme starts and the cooking time counts down.
- ✓ If the programme has ended, an audible signal sounds and the display shows the cooking time as zero.
4. When the programme ends:
 - ▶ Press any button to end the audible signal prematurely.
 - ▶ To set a cooking time for further cooking, press the + button. The appliance continues to heat using the programme settings.
 - ▶ When your food is ready, switch off the appliance.

11 Childproof lock

You can secure your appliance to prevent children from accidentally switching it on or changing the settings.



11.1 Activating the childproof lock

Requirement: The function selector must be set to the zero setting 0.

- ▶ To activate the childproof lock, press and hold the  button until  appears in the display.

11.2 Deactivating the childproof lock

Requirement: The function selector must be set to the zero setting 0.

- ▶ To deactivate the childproof lock, press and hold the  button until  goes out in the display.

12 Keeping warm over an extended period

You can use **Top/bottom heating** to keep food warm between 85 °C and 140 °C for up to 70 hours with your appliance during this time without having to switch the appliance on or off.

12.1 Setting the "Keep warm" function over an extended period

Notes

- If you open the appliance door during operation, the appliance stops heating. When you close the appliance door, the appliance continues to heat again.
- Once it has started, you can no longer change or interrupt it.
- You cannot delay the end time.

Requirement: The corresponding basic setting is activated.

→ "Basic settings", Page 16

1. Use the function selector to set the programmes \square .
✓ *SRbb* appears in the display.
2. Use the temperature selector to set the temperature.
3. Press the \odot button repeatedly until \rightarrow is highlighted on the display.
4. Use the $-$ or $+$ button to set the time.
✓ After a few seconds, the appliance starts heating and the cooking time counts down.
5. Once the time has elapsed, the display shows the time as zero. The appliance stops heating up and responds again as usual.
 - ▶ Switch off the appliance.
The appliance automatically switches off after approx. 10 to 20 minutes.

13 Basic settings

You can configure the basic settings for your appliance to meet your needs.

13.1 Overview of the basic settings

Here you can find an overview of the basic settings and factory settings. The basic settings depend on the features of your appliance.

| Display | Basic setting | Selection |
|--------------------|---|---|
| $\epsilon \odot 1$ | Signal duration upon completion of a time or timer period | $1 = 10$ seconds $2 = 30$ seconds ¹ $3 = 2$ minutes |
| $\epsilon \odot 2$ | Waiting time until a setting is applied | $1 = 3$ seconds ¹ $2 = 6$ seconds $3 = 10$ seconds |
| $\epsilon \odot 3$ | Button tone when pressing a button | $\odot =$ off $1 =$ on ¹ |
| $\epsilon \odot 4$ | Brightness of the display illumination | $1 =$ dark $2 =$ medium ¹ $3 =$ bright |
| $\epsilon \odot 5$ | Time display | $\odot =$ hide the time $1 =$ display the time ¹ |
| $\epsilon \odot 6$ | Childproof lock can be adjusted | $\odot =$ No $1 =$ Yes ¹ $2 =$ yes, with locked door |
| $\epsilon \odot 7$ | Interior lighting during operation | $\odot =$ no $1 =$ yes ¹ |
| $\epsilon \odot 8$ | Cooling fan run-on time | $1 =$ short $2 =$ medium ¹ $3 =$ long $4 =$ extra-long |
| $\epsilon \odot 9$ | Telescopic shelves retrofitted ² | $\odot =$ no ¹ (for rails and 1-level pull-out) $1 =$ yes (for 2- and 3-level pull-out) |
| $\epsilon \odot$ | Keeping warm over an extended period | $\odot =$ No ¹ |

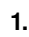
¹ Factory setting (may vary according to model)

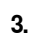


² Depending on the appliance specifications

| Display | Basic setting | Selection |
|--------------|--|--|
| | | <i>!</i> = Yes |
| <i>c 1 2</i> | Automatic rapid heating from 200 °C ¹ | <i>0</i> = no <i>!</i> = yes ² |
| <i>c 1 3</i> | Reset all values to factory settings | <i>0</i> = no ² <i>!</i> = yes |
| <i>HC..</i> | Home Connect Settings | → "Home Connect", Page 17 |

13.2 Changing basic settings

Requirement: The appliance is switched off.

1. Press and hold the  button for approximately four seconds.
 - ✓ The first basic setting appears in the display, e.g. *c 0 1 2*.
2. Use the temperature selector to change the setting.

3. Use the  or  button to switch to the next basic setting.
4. To save the changes, press and hold the  button for approx. 4 seconds.

Note: Your changes to the basic settings will be retained even after a power failure.

13.3 Cancelling the basic settings

- ▶ Turn the function selector.
- ✓ All changes are discarded and not saved.

14 Home Connect

This appliance is network-capable. Connecting your appliance to a mobile device lets you control its functions via the Home Connect app, adjust its basic settings and monitor its operating status.

The Home Connect services are not available in every country. The availability of the Home Connect function depends on the availability of the Home Connect services in your country. You can find information about this at: www.home-connect.com.

The Home Connect app guides you through the entire login process. Follow the instructions, noting the information in the Home Connect app.

Notes

- Please note the safety precautions in this instruction manual and make sure that they are also observed when operating the appliance via the Home Connect app.
→ "Safety", Page 2
- Operating the appliance on the appliance itself always takes priority. During this time it is not possible to operate the appliance using the Home Connect app.
- In networked standby mode, the appliance requires a maximum of 2 W.

14.1 Setting up Home Connect

Requirements

- The appliance is connected to the power supply and is switched on.
 - You have a mobile device with a current version of the iOS or Android operating system, e.g. a smartphone.
 - The appliance is receiving signals from the WLAN home network (Wi-Fi) at its installation location.
 - The mobile device and the appliance are within range of your home network's Wi-Fi signal.
1. Scan the following QR code.



2. You can install the Home Connect app and connect your appliance via the QR code.

2. Follow the instructions in the Home Connect app.

14.2 Home Connect Settings

You can adjust the settings and network settings for Home Connect in the basic settings for your appliance.

| Setting | Selection or display | Explanation |
|---------------|--|---|
| <i>HC 0 1</i> | Connection to the network <i>0</i> – Not connected <i>!</i> – Connect automatically <i>2</i> – Connect manually <i>3</i> – Connected | <i>0</i> and <i>3</i> are displays that you cannot set. |

¹ Depending on the appliance specifications

² Factory setting (may vary according to model)

| Setting | Selection or display | Explanation |
|---------|---|--|
| HC 02 | Connection to the Home Connect app 0 – Ready 1 – Connect 2 – Connected | 0 and 2 are displays that you cannot set. |
| HC 03 | Wi-Fi 0 – Off 1 – Activate 2 – On | If Wi-Fi is activated, you can use Home Connect. In networked standby mode, the appliance requires a maximum of 2 W. 2 is a display that you cannot set. |
| HC 04 | Remote start 0 – Deactivated 1 – Manual ¹ 2 – Permanent | When remote start is deactivated, you can only view the operating status of the appliance in the app. For manual remote start, you must activate the remote start each time before you can start the appliance via the app. If you open the appliance door within 15 minutes of activating remote start or of the operation ending, remote start is deactivated. For permanent remote start, you can start and operate the appliance remotely at any time. |
| HC 05 | Software update 1 – Update available 2 – Start update | The setting is only displayed if an update is available. 1 is a display that you cannot set. |
| HC 06 | Remote Diagnostics 0 – Not authorised ¹ 1 – Authorised | The setting is only displayed if after-sales service is attempting to access the appliance. |

14.3 Operating the appliance with the Home Connect app

You can use the Home Connect app to set and start the appliance remotely.

⚠ WARNING – Risk of fire!

Combustible objects that are left in the cooking compartment may catch fire.

- ▶ Never store combustible objects in the cooking compartment.
- ▶ If smoke is emitted, the appliance must be switched off or the plug must be pulled out and the door must be held closed in order to stifle any flames.

Requirements

- The appliance is switched on.
 - The appliance is connected to your home network and to the Home Connect app.
 - In order to be able to set the appliance via the app, the manual or permanent remote start must be selected in the HC 04 basic setting.
1. To activate the remote start, set the function selector to 0.
 2. Implement a setting in the app and send it to the appliance.

14.4 Software update

Your appliance's software can be updated using the software update function, e.g. for the purposes of optimisation, troubleshooting or security updates.

To do this, you must be a registered Home Connect user, have installed the app on your mobile device and be connected to the Home Connect server.

As soon as a software update is available, you will be informed via the Home Connect app and will be able to

start the software update via the app. Once the update has been successfully downloaded, you can start installing it via the Home Connect app if you are in your home network (Wi-Fi). The Home Connect app informs you once installation is successful.

The current software version can be found in the Home Connect app under the appliance information for the relevant home appliance.

Notes

- The software update consists of two steps.
 - The first step is the download.
 - The second step is the installation on your appliance.
- You can continue to use your appliance as normal while updates are downloading. Depending on your personal settings in the app, software updates can also be set to download automatically.
- Installation takes a few minutes. You cannot use your appliance during installation.
- We recommend that you install security updates as soon as possible.

14.5 Remote diagnostics

Customer Service can use Remote Diagnostics to access your appliance if you contact them, have your appliance connected to the Home Connect server and if Remote Diagnostics is available in the country in which you are using the appliance.

Tip: For further information and details about the availability of Remote Diagnostics in your country, please visit the service/support section of your local website: www.home-connect.com.

¹ Factory setting

14.6 Data protection

Please see the information on data protection.

The first time your appliance is registered on a home network connected to the Internet, your appliance will transmit the following types of data to the Home Connect server (initial registration):

- Unique appliance identification (consisting of appliance codes as well as the MAC address of the installed Wi-Fi communication module).
- Security certificate of the Wi-Fi communication module (to ensure a secure data connection).

- The current software and hardware version of your appliance.
- Status of any previous resetting to factory settings.

This initial registration prepares the Home Connect functions for use and is only required when you want to use the Home Connect functions for the first time.

Note: Please note that the Home Connect functions can only be utilised with the Home Connect app. Information on data protection can be retrieved in the Home Connect app.

15 Cleaning and servicing

To keep your appliance working efficiently for a long time, it is important to clean and maintain it carefully.

15.1 Cleaning products

In order to avoid damaging the various oven surfaces on the appliance, do not use unsuitable cleaning products.

WARNING – Risk of electric shock!

An ingress of moisture can cause an electric shock.

- ▶ Do not use steam- or high-pressure cleaners to clean the appliance.

ATTENTION

Unsuitable cleaning products may damage the surfaces of the appliance.

- ▶ Do not use harsh or abrasive cleaning products.

- ▶ Do not use cleaning products with a high alcohol content.
- ▶ Do not use hard scouring pads or cleaning sponges.
- ▶ Do not use any special cleaners for cleaning the appliance while it is hot.

Using oven cleaner in a hot cooking compartment damages the enamel.

- ▶ Never use oven cleaner in the cooking compartment when it is still warm.
- ▶ Remove all food remnants from the cooking compartment and the appliance door before you next heat up the appliance.

New sponge cloths contain residues from production.

- ▶ Wash new sponge cloths thoroughly before use.

15.2 Suitable cleaning agents

Only use cleaning agents that are suitable for the different surfaces on your appliance. Follow the instructions on cleaning the appliance.

Appliance front

| Surface | Suitable cleaning agents | Information |
|---|--|---|
| Stainless steel | <ul style="list-style-type: none"> ▪ Hot soapy water ▪ Special stainless steel cleaning products suitable for hot surfaces | To prevent corrosion, remove any patches of limescale, grease, starch or albumin (e.g. egg white) from stainless steel surfaces immediately. Apply a thin layer of the stainless steel cleaning product. |
| Plastic or painted surfaces E.g. control panel | <ul style="list-style-type: none"> ▪ Hot soapy water | Do not use glass cleaner or a glass scraper. |

Appliance door

| Range | Suitable cleaning agents | Information |
|-------------|--|---|
| Door panels | <ul style="list-style-type: none"> ▪ Hot soapy water ▪ stainless steel scourer | Do not use a glass scraper. Tip: Remove the door panels in order to clean them thoroughly. → "Appliance door", Page 21 |
| Door cover | <ul style="list-style-type: none"> ▪ Made of stainless steel: Stainless steel cleaner ▪ Made of plastic: Hot soapy water | Do not use glass cleaner or a glass scraper. Tip: Remove the door cover for thorough cleaning. → "Appliance door", Page 21 |
| Door handle | <ul style="list-style-type: none"> ▪ Hot soapy water | To avoid permanent stains, remove descaling agents from the door handle immediately. |

Cooking compartment

| Range | Suitable cleaning agents | Information |
|--------------------------------|--|--|
| Enamel surfaces | <ul style="list-style-type: none"> ▪ Hot soapy water ▪ Vinegar solution ▪ Oven cleaner ▪ stainless steel scourer | <p>Soak any heavily soiled areas and use a brush or stainless steel scourer.</p> <p>Leave the appliance door open to dry the cooking compartment after cleaning it.</p> <p>Tip: It is best to use the cleaning function. → "Self-cleaning", Page 20</p> <p>Notes</p> <ul style="list-style-type: none"> ▪ Enamel burns at very high temperatures, causing minor discolouration. The functionality of your appliance is not affected by this. ▪ The edges of thin trays cannot be completely enamelled and may be rough. This does not impair the corrosion protection. ▪ Food residues leave a white coating on the enamel surfaces. The coating does not pose a health risk. The functionality of your appliance is not affected by this. You can remove residues with lemon juice. |
| Glass cover for the oven light | <ul style="list-style-type: none"> ▪ Hot soapy water | Use oven cleaner to remove very heavy soiling. |
| Shelf supports | <ul style="list-style-type: none"> ▪ Hot soapy water ▪ stainless steel scourer | <p>Soak any heavily soiled areas and use a brush or stainless steel scourer.</p> <p>Tip: Remove the shelf supports for cleaning. → "Shelf supports", Page 25</p> |
| Accessories | <ul style="list-style-type: none"> ▪ Hot soapy water ▪ Oven cleaner ▪ stainless steel scourer | <p>Soak any heavily soiled areas and use a brush or stainless steel scourer.</p> <p>Enamelled accessories are dishwasher-safe.</p> |

15.3 Cleaning the appliance

In order to avoid damaging the appliance, you must clean your appliance only as specified, and with suitable cleaning products.

WARNING – Risk of burns!

The appliance becomes hot during operation.

- ▶ Allow the appliance to cool down before cleaning.

WARNING – Risk of fire!

Loose food remnants, fat and meat juices may catch fire.


- ▶ Before using the appliance, remove the worst of the food residues and remnants from the cooking compartment, heating elements and accessories.

Requirement: Read the information on cleaning agents.

→ "**Cleaning products**", Page 19

1. Clean the appliance using hot soapy water and a dish cloth.
 - ▶ For some surfaces, you can use alternative cleaning agents.
→ "**Suitable cleaning agents**", Page 19
2. Dry with a soft cloth.

16 Self-cleaning

With the **Self-cleaning**  cleaning function, the cooking compartment is cleaned virtually automatically.

Use the cleaning function to clean the cooking compartment every two to three months. You can use the cleaning function more often, if required.

The cleaning function requires approx. 2.5–4.8 kilowatt hours.

16.1 Preparing the appliance for the cleaning function

In order to achieve a good cleaning result, prepare the appliance carefully.

WARNING – Risk of fire!

Combustible objects that are left in the cooking compartment may catch fire.

- ▶ Never store combustible objects in the cooking compartment.
 - ▶ If smoke is emitted, the appliance must be switched off or the plug must be pulled out and the door must be held closed in order to stifle any flames.
- Loose food remnants, fat and meat juices may catch fire when the cleaning function is in progress.
- ▶ Before you start the cleaning function, always remove coarse dirt from the cooking compartment.
 - ▶ Never clean accessories at the same time.

The outside of the appliance gets very hot when the cleaning function is in progress.

- ▶ Never hang combustible objects, e.g. tea towels, on the door handle.
- ▶ Leave the front of the appliance clear.
- ▶ Keep children at a safe distance.

If the door seal is damaged, a large amount of heat is generated around the door.

- ▶ Do not scrub or remove the seal.
- ▶ Never operate the appliance if the seal is damaged or missing.

1. Remove accessories and cookware from the cooking compartment.
2. Unhook the shelf supports and remove them from the cooking compartment.
→ *"Shelf supports", Page 25*
3. Remove coarse dirt from the cooking compartment. Coarse dirt may burn on, making it difficult to remove.
4. Use a detergent solution and a soft cloth to clean the surfaces at the edges of the cooking compartment around the door seal.
Do not remove or scrub the door seal.
Use oven cleaner to remove stubborn dirt from the inner door pane.
5. Remove any objects from the cooking compartment. The cooking compartment must be empty.

16.2 Setting the cleaning function

Ventilate the kitchen while the cleaning function is running.

⚠ **WARNING – Risk of harm to health!**

The cleaning function heats up the cooking compartment to a very high temperature so that food left over from roasting, grilling and baking will burn off. This process releases vapours, which can irritate mucous membranes.

- ▶ Keep the kitchen well ventilated while the cleaning function is running.
- ▶ Do not remain in the room for long periods.
- ▶ Keep children and pets away.

⚠ **WARNING – Risk of burns!**

The cooking compartment gets very hot when the cleaning function is in progress.

- ▶ Never open the appliance door.
- ▶ Allow the appliance to cool down.
- ▶ Keep children at a safe distance.

⚠ The outside of the appliance gets very hot when the cleaning function is in progress.


- ▶ Never touch the appliance door.

- ▶ Allow the appliance to cool down.
- ▶ Keep children at a safe distance.

Note: The oven light does not light up while the cleaning function is running.

Requirement:



→ *"Preparing the appliance for the cleaning function", Page 20*

1. Use the function selector to set **Self-cleaning** .
2. Use the temperature selector to set the cleaning setting.

| Cleaning setting | Cleaning level | Duration in hours |
|------------------|----------------|-------------------|
| 1 | Low | Approx. 1:15 |
| 2 | Medium | Approx. 1:30 |
| 3 | High | Approx. 2:00 |

Select a higher cleaning setting if the cooking compartment is particularly dirty or has not been cleaned for a while.

The duration cannot be changed.

- ✓ After a few seconds, the cleaning function starts and the duration counts down.
 - ✓ For your safety, the appliance door locks once a certain temperature is reached in the cooking compartment.  appears on the display.
 - ✓ When the cleaning function ends, a signal tone sounds and the duration is at zero on the display.
3. Switch off the appliance.
When the appliance has cooled down, the appliance door is unlocked and  goes out.
 4. → *"Preparing the appliance for use following the cleaning function", Page 21*

16.3 Preparing the appliance for use following the cleaning function

1. Allow the appliance to cool down.
2. Wipe off any ash that has been left behind in the cooking compartment and around the appliance door.
→ *"Cleaning and servicing", Page 19*
3. Remove white residues with lemon juice.
Note: White residues on the enamel surfaces may be caused by heavy soiling. These food residues are harmless. The deposits do not compromise the functionality of the appliance.
4. Attach the shelf supports.
→ *"Shelf supports", Page 25*

17 Appliance door

To clean the appliance door thoroughly, you can disassemble the appliance door.

Note: Further information:



17.1 Detaching the appliance door

Note: The door handles are different depending on the appliance type.

⚠ **WARNING – Risk of injury!**

The hinges on the appliance door move when the door is opened and closed, which could trap your fingers.

- ▶ Keep your hands away from the hinges.

Components inside the appliance door may have sharp edges.

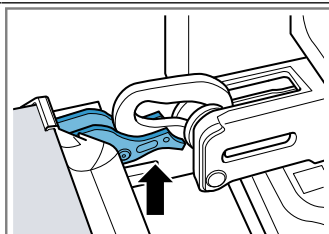
- ▶ Wear protective gloves.

When the hinges are not secured, they can snap shut with great force.

- ▶ Make sure that the locking levers are always either fully closed or (when detaching the oven door) fully open.

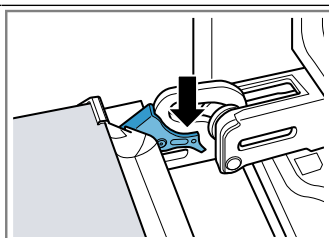
1. Open the appliance door fully .
2. Open the locking levers on the left- and right-hand hinges.

Locking levers opened



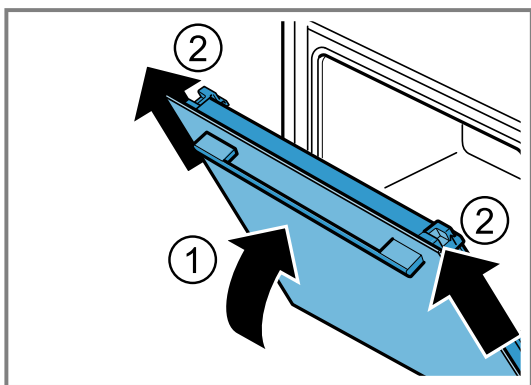
The hinge is now secured and cannot snap shut.

Locking levers closed



The appliance door is secured and cannot be detached.

- ✓ The locking levers are open. The hinges are now secured and cannot snap shut.
3. Close the appliance door fully ①. Grab hold of the appliance door with both hands (on the left and right) and pull it upwards and out ②.



4. Carefully place the appliance door on a level surface.

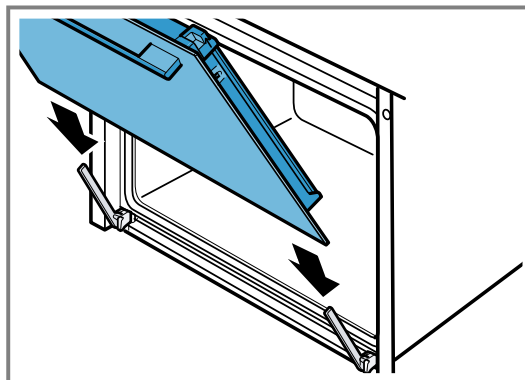
17.2 Attaching the appliance door

1. **⚠ WARNING – Risk of injury!**

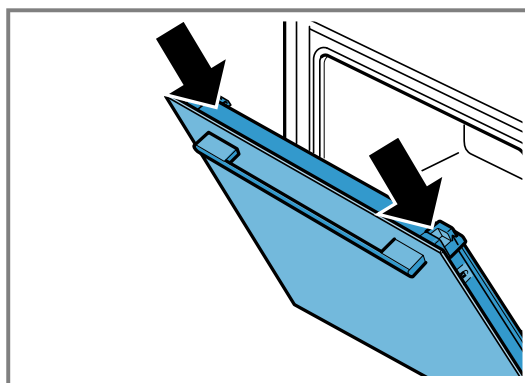
The hinges on the appliance door move when the door is opened and closed, which could trap your fingers.

- ▶ Keep your hands away from the hinges.

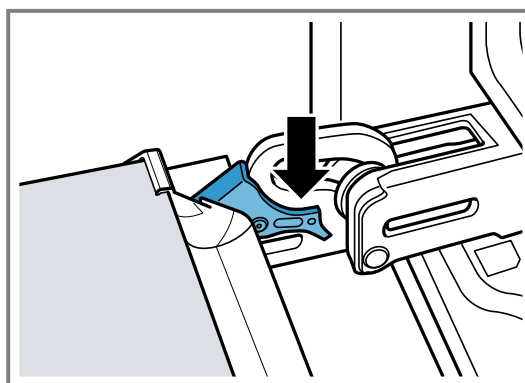
Note: Ensure that the appliance door slides onto the hinges without any resistance.



2. Use both hands to slide the appliance door on as far as it will go.



3. Open the appliance door fully.
4. Close the locking levers on the left- and right-hand hinges.



- ✓ The locking levers are closed. The appliance door is secured and cannot be detached.
5. Close the appliance door.

17.3 Removing the door panes

1. **⚠ WARNING – Risk of injury!**

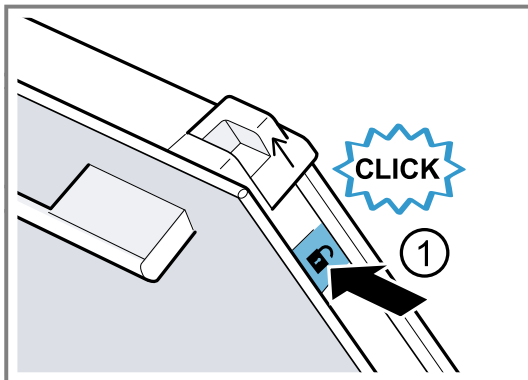
The hinges on the appliance door move when the door is opened and closed, which could trap your fingers.

- ▶ Keep your hands away from the hinges.
- Components inside the appliance door may have sharp edges.
- ▶ Wear protective gloves.

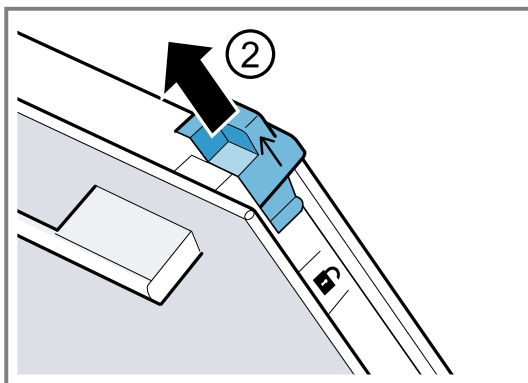
Note: Depending on the appliance type, the appliance has a metal strip for opening.

1. Open the appliance door fully.

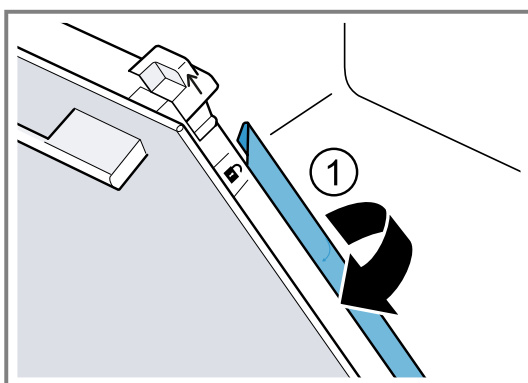
2. Open the locking levers on the left- and right-hand hinges
 - ✓ The locking levers are open. The hinges are now secured and cannot snap shut.
3. Close the appliance door fully.
4. Press on the left- and right-hand pressure surface ① until it audibly clicks.



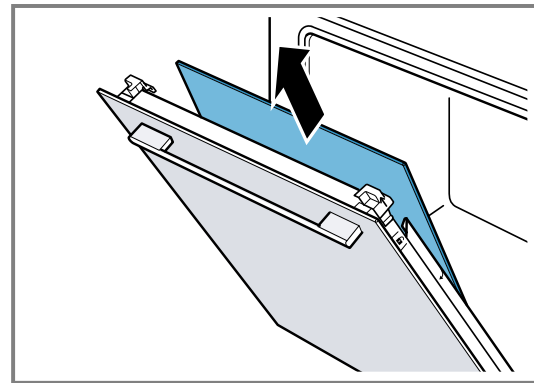
5. Push the two sliding caps upwards in the direction of the arrow ②.



6. Remove the inner panel upwards at an angle and set it down carefully on a flat surface.
7. Depending on the appliance type, open the left- and right-hand metal strip in the direction of the arrow ①.



8. Pull the first and second intermediate panels upwards and out at an angle, and set them down carefully on a flat surface.



9. **⚠ WARNING – Risk of injury!**
 Scratched glass in the appliance door may develop into a crack.
 - ▶ Do not use any harsh or abrasive cleaners or sharp metal scrapers to clean the glass on the oven door, as they may scratch the surface.

Clean the removed door panels on both sides with glass cleaner and a soft cloth.

10. Clean the appliance door.

11. Dry the door panels and refit them.

Note: While the cleaning function is running, the frame on the inside of the appliance door or other parts of the door that are made of stainless steel become discoloured. This discolouration does not compromise the functionality of the appliance. The discolouration can be removed using a stainless steel cleaner.

17.4 Fitting the door panes

9. **⚠ WARNING – Risk of injury!**

The hinges on the appliance door move when the door is opened and closed, which could trap your fingers.

- ▶ Keep your hands away from the hinges. Components inside the appliance door may have sharp edges.
- ▶ Wear protective gloves.

Note

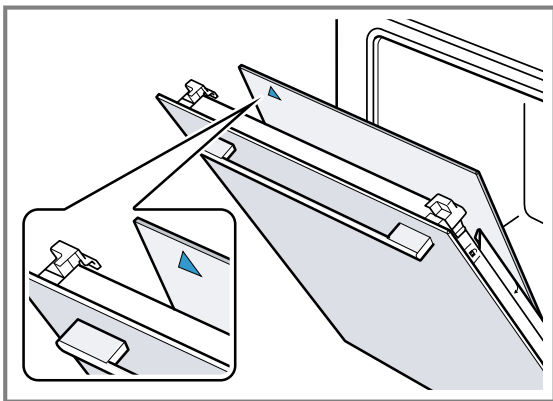
Depending on the appliance type, the appliance has

- one metal strip for opening,
- or two different intermediate panels.

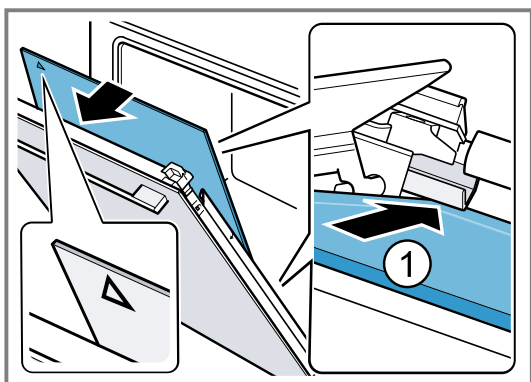
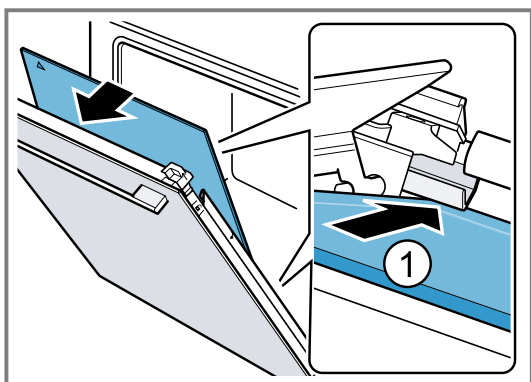
The intermediate panels are marked with a triangle symbol.

First, install the intermediate panel with an unfilled triangle \triangle , then the intermediate panel with a filled triangle \blacktriangle .

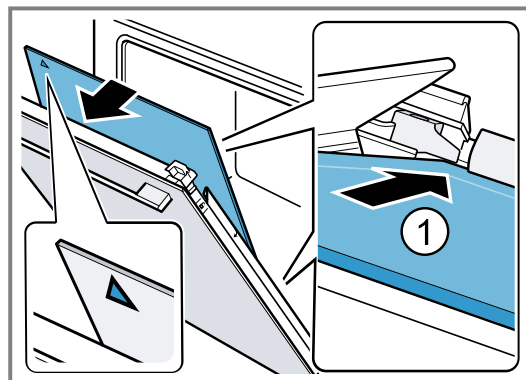
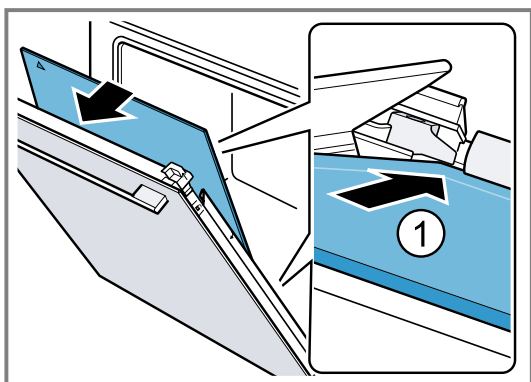
Ensure that the arrow is on the top left on the intermediate panels.



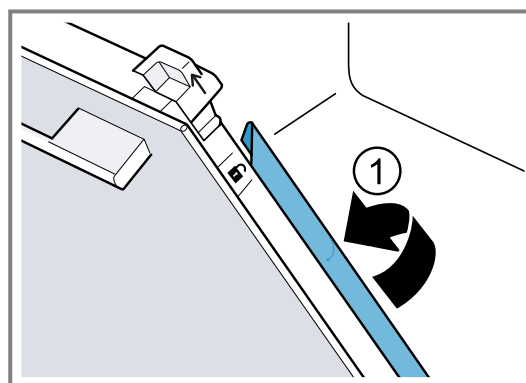
1. Slide the first intermediate panel into the lowest retainer ① and fit it at the top.



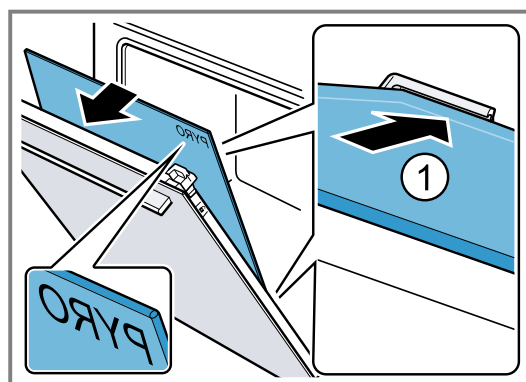
- ✓ The intermediate pane is automatically positioned by the rotational movement of the spacer.
2. Slide the second intermediate panel into the central retainer ① and fit it at the top.



3. Depending on the appliance type, close the metal strip on the left and right. ①.

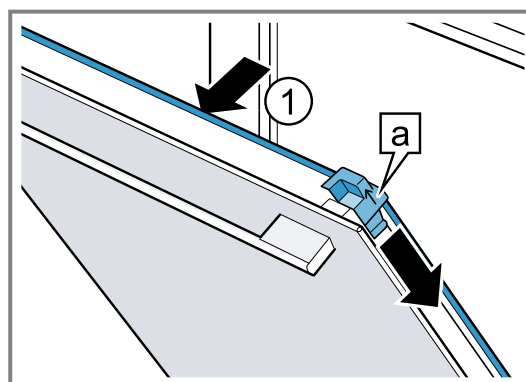


4. Slide the inner panel into the retainer at the bottom ① and fit it at the top.



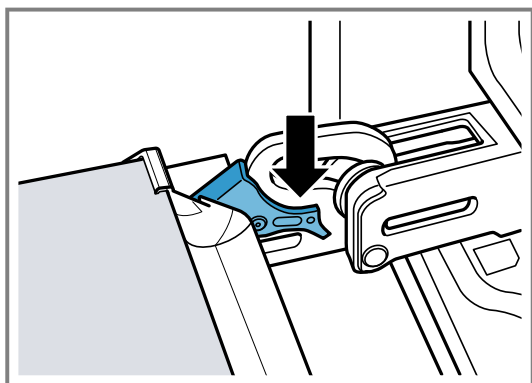
The lettering "Pyro" must be legible at the top, as shown in the picture.

5. Push the inner panel in at the top ①. Push the sliding caps [a] downwards in the direction of the arrow.



6. Open the appliance door fully.

7. Close the locking levers on the left- and right-hand hinges



8. Close the appliance door.

Note: Do not use the cooking compartment again until the door panes have been correctly fitted.

18 Shelf supports

To clean the rails and the cooking compartment, or to replace the rails, you can remove these.

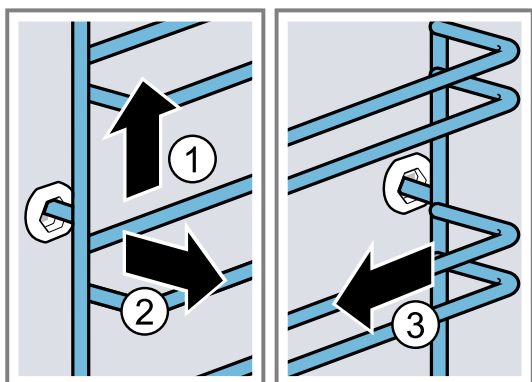
18.1 Detaching the shelf supports

⚠ WARNING – Risk of burns!

The shelf supports get very hot

- ▶ Never touch the shelf supports when hot.
- ▶ Always allow the appliance to cool down.
- ▶ Keep children at a safe distance.

1. Lift the rail forwards slightly ① and detach it ②.
2. Pull the whole rail to the front ③ and remove it.



3. Clean the rail.

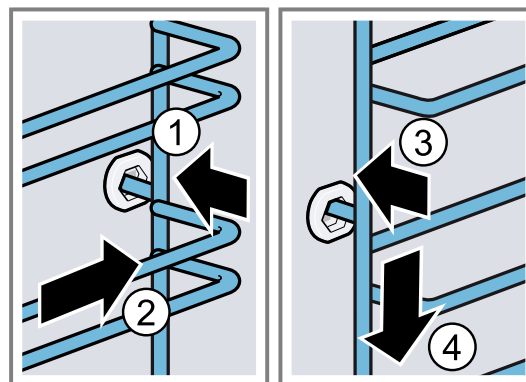
→ "Cleaning products", Page 19

18.2 Attaching the shelf supports

Notes

- The rails only fit on the right or left.
- For both rails, ensure that the curved rods are at the front.

1. First, push the rail into the middle of the rear socket ① until the rail rests against the cooking compartment wall, and then push this back ②.
2. Push the rail into the front socket ③ until the rail also rests against the cooking compartment wall, and then press this downwards ④.



19 Troubleshooting

You can rectify minor faults on your appliance yourself. Read the troubleshooting information before contacting after-sales service. This will avoid unnecessary costs.

Tip: Permanently connect your appliance to the Home Connect app to automatically receive software updates. This allows errors to be eliminated, performance to be improved and new functions to be made available.

⚠ WARNING – Risk of injury!

Improper repairs are dangerous.

- ▶ Repairs to the appliance should only be carried out by trained specialist staff.
- ▶ If the appliance is defective, call Customer Service.

→ "Customer Service", Page 28


⚠ WARNING – Risk of electric shock!

Improper repairs are dangerous.

- ▶ Repairs to the appliance should only be carried out by trained specialist staff.
- ▶ Only use genuine spare parts when repairing the appliance.
- ▶ If the power cord or the appliance power cable of this appliance is damaged, it must be replaced with a special power cord or special appliance power cable, which is available from the manufacturer or its Customer Service.
- ▶ If the power cord of this appliance is damaged, it must be replaced by trained specialist staff.

19.1 Malfunctions

| Fault | Cause and troubleshooting |
|--|--|
| The appliance is not working. | <p>The circuit breaker in the fuse box has tripped.</p> <ul style="list-style-type: none"> ▶ Check the circuit breaker in the fuse box. <hr/> <p>There has been a power cut.</p> <ul style="list-style-type: none"> ▶ Check whether the lighting in your room or other appliances are working. <hr/> <p>Electronics fault</p> <ol style="list-style-type: none"> 1. Disconnect the appliance from the power supply for at least 30 seconds by switching off the fuse. 2. Reset the basic settings to the factory settings. → "Basic settings", Page 16 |
| Appliance is not heating, the colon flashes in the display and a <i>d</i> appears. | <p>Demo mode is activated.</p> <ol style="list-style-type: none"> 1. Briefly disconnect the appliance from the power supply by switching the circuit breaker in the fuse box off and then on again. 2. Deactivate demo mode within 5 minutes by changing the last basic setting <i>c</i> / <i>4</i> to <i>0</i>. → "Basic settings", Page 16 |
| The appliance door cannot be opened; <i>∞</i> lights up in the display. | <p>The childproof lock locks the appliance door.</p> <ul style="list-style-type: none"> ▶ Use the <i>∞</i> button to deactivate the childproof lock. → "Childproof lock", Page 15 |
| The appliance door cannot be opened; <i>h</i> lights up in the display. | <p>The cleaning function locks the appliance door.</p> <ul style="list-style-type: none"> ▶ Allow the appliance to cool down until <i>h</i> goes out in the display. |
| <i>∞</i> lights up on the display and no settings can be made on the appliance. | <p>Childproof lock is activated.</p> <ul style="list-style-type: none"> ▶ Use the <i>∞</i> button to deactivate the childproof lock. → "Childproof lock", Page 15 |
| <i>h</i> flashes in the display and the appliance will not start. | <p>The cooking compartment is too hot for the selected operation.</p> <ol style="list-style-type: none"> 1. Switch off the appliance and allow it to cool down. 2. Restart the operation. |
| <i>F B</i> appears in the display. | <p>The maximum cooking time has been reached. To prevent an unwanted permanent operation, the appliance automatically stops heating after several hours if the settings are unchanged.</p> <ul style="list-style-type: none"> ▶ Switch off the appliance. <p>You can configure new settings if required.</p> <p>Tip: To prevent the appliance from switching off when you do not want it to, e.g. for an extremely long preparation time, set a cooking time. → "Time-setting options", Page 11</p> |
| A message with <i>E</i> appears in the display, e.g. <i>E05-32</i> . | <p>Electronics fault</p> <ol style="list-style-type: none"> 1. Press the <i>☺</i> button. <ul style="list-style-type: none"> ▶ If required, reset the time. ✓ If the fault was a one-off, the error message disappears. 2. If the error message appears again, call the after-sales service. Quote the exact error message and the E no. of your appliance. → "Customer Service", Page 28 |
| Home Connect is not working properly. | <p>Different causes are possible.</p> <ul style="list-style-type: none"> ▶ Go to www.home-connect.com. |
| The cooking result is not satisfactory. | <p>Settings were unsuitable.</p> <p>Adjustment values, e.g. temperature or cooking time, depend on the recipe, quantity and food.</p> <ul style="list-style-type: none"> ▶ Next time, set lower or higher values. <p>Tip: A lot of other information about the preparation, corresponding adjustment values and recipes can be found in the Home Connect app or on our website siemens-home.bsh-group.com.</p> |

| Fault | Cause and troubleshooting |
|--|---|
| The cooking result is not satisfactory. |  |
| The result of the cleaning function is not satisfactory. | <p>The cooking compartment was too dirty.</p> <ul style="list-style-type: none"> ▶ Remove coarse dirt from the cooking compartment before using the cleaning function. ▶ Pay attention to the cleaning and care of your appliance. <p>→ "Cleaning and servicing", Page 19</p> |

19.2 Replacing the oven light bulb

If the light in the cooking compartment fails, change the oven light bulb.

Note: Heat-resistant, 40 - 43-watt, 230 V halogen bulbs are available from the after-sales service or specialist retailers. Only use these bulbs. Hold the new halogen bulbs only with a clean, dry towel. This increases the service life of the bulb.

⚠ WARNING – Risk of burns!

The appliance and its parts that can be touched become hot during use.

- ▶ Caution should be exercised here in order to avoid touching heating elements.
- ▶ Young children under 8 years of age must be kept away from the appliance.

⚠ WARNING – Risk of electric shock!

When changing the bulb, the bulb socket contacts are live.

- ▶ Before replacing the bulb, ensure that the appliance is switched off in order to prevent a potential electric shock.
- ▶ Also unplug the appliance from the mains or switch off the fuse in the fuse box.

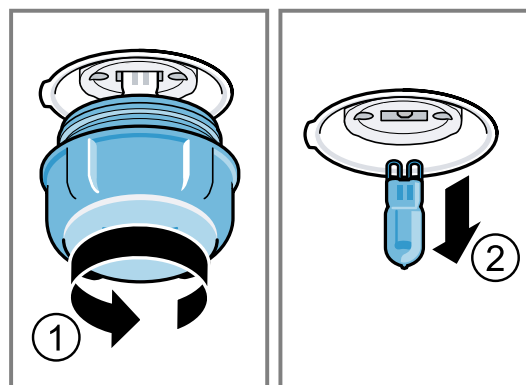
⚠ WARNING – Risk of injury!

The glass cover may already have broken due to external influences or it may break due to excessive pressure when being installed or removed.

- ▶ Exercise caution when installing or removing the glass cover.
- ▶ Use gloves or a tea towel.

Requirements

- The appliance is disconnected from the power supply.
 - The cooking compartment has cooled down.
 - You must have a new halogen lamp to replace the old one.
1. Place a tea towel in the cooking compartment to prevent damage.
 2. Turn the glass cover anti-clockwise to remove it ①.
 3. Pull out the halogen bulb without turning it ②.



4. Insert the new halogen bulb and press it firmly into the socket. Make sure that the pins are positioned correctly.
5. Depending on the appliance model, the glass cover may have a sealing ring. Attach the sealing ring.
6. Screw in the glass cover.
7. Remove the tea towel from the cooking compartment.
8. Connect the appliance to the power supply.

20 Disposal

20.1 Disposing of old appliance

Valuable raw materials can be reused by recycling.

1. Unplug the appliance from the mains.
2. Cut through the power cord.
3. Dispose of the appliance in an environmentally friendly manner.
Information about current disposal methods are available from your specialist dealer or local authority.



This appliance is labelled in accordance with European Directive 2012/19/EU concerning used electrical and electronic appliances (waste electrical and electronic equipment - WEEE). The guideline determines the framework for the return and recycling of used appliances as applicable throughout the EU.

21 Customer Service

Function-relevant genuine spare parts according to the corresponding Ecodesign Directive can be obtained from Customer Service for a period of at least 10 years from the date on which your appliance was placed on the market within the European Economic Area. Furthermore, our Customer Service will continue to provide you with other function-relevant and storable genuine spare parts for up to 15 years from the date on which your appliance was placed on the market. For more information, please contact our Customer Service team.

Note: Under the terms of the manufacturer's warranty the use of Customer Service is free of charge.

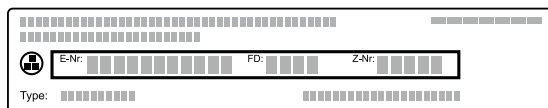
Detailed information about the warranty period and the warranty conditions in your country is available via the QR code on the enclosed document on service contacts and warranty conditions, from our customer service or on our website.

You can find the contact details for our customer service via the QR code on the enclosed document on service contacts and warranty conditions or on our website. This product contains light sources from energy efficiency class G.

You can find the information required as per Regulations (EU) 65/2014, (EU) 66/2014 and (EU) 2023/826 online at siemens-home.bsh-group.com on the product and service pages for your appliance, in the area of user manuals and additional documents.

21.1 Product number (E-Nr.) and production number (FD)

If you contact Customer Service, you will require the product number (E-Nr.) and the production number (FD), which you can find on the appliance's rating plate. You will see the rating plate with these numbers if you open the appliance door.



Make a note of your appliance's details and the Customer Service telephone number to find them again quickly.

22 Declaration of Conformity

BSH Hausgeräte GmbH hereby declares that the appliance with Home Connect functionality conforms to the essential requirements and other relevant provisions of Directive 2014/53/EU.

A detailed RED Declaration of Conformity can be found online at siemens-home.bsh-group.com among the additional documents on the product page for your appliance.




Hereby, BSH Hausgeräte GmbH declares that the appliance with Home Connect functionality is in compliance with relevant statutory requirements.¹

A detailed Declaration of Conformity can be found online at siemens-home.bsh-group.com/uk/ among the additional documents on the product page for your appliance.¹



2.4 GHz band (2400–2483.5 MHz): Max. 100 mW
5-GHz band (5150–5350 MHz + 5470–5725 MHz): max. 50 mW

| | | | | | | | | | |
|--|----|----|----|----|----|---------|----|----|----|
|  | BE | BG | CZ | DK | DE | EE | IE | EL | ES |
| | FR | HR | IT | CY | LI | LV | LT | LU | HU |
| | MT | NL | AT | PL | PT | RO | SI | SK | FI |
| | SE | NO | CH | TR | IS | UK (NI) | | | |

5 GHz WLAN (Wi-Fi): For indoor use only.

| | | | | | | | |
|----|----|----|----|----|----|----|----|
| AL | BA | MD | ME | MK | RS | UK | UA |
|----|----|----|----|----|----|----|----|

5 GHz WLAN (Wi-Fi): For indoor use only.

¹ Only applies to Great Britain

22.1 Statement of Compliance for Great Britain

Product type

This statement of compliance covers the products described in this information for use whose model identifier group is seen on the title page. The full model identifier is made up of the characters before the slash in the product number (E no.) which can be found on the rating plate. Alternatively, you can also find the model identifier in the first line of the UK Energy Label.

Name and address of manufacturer

BSH Hausgeräte GmbH, Carl-Wery-Strasse 34, 81739 München, Germany

This statement of compliance is prepared by the manufacturer.

The manufacturer, BSH Hausgeräte GmbH deems that it has complied with

- provision 5.1-1 of ETSI EN 303 645 v2.1.1 and, where relevant, provision 5.1-2 of ETSI EN 303 645 v2.1.1;
- provision 5.2-1 of ETSI EN 303 645 v2.1.1;
- provision 5.3-13 of ETSI EN 303 645 v2.1.1.

Support period

BSH Hausgeräte GmbH will provide security updates that are necessary to maintain the main functions free of charge until at least 28/02/2034.

23 How it works

Here, you can find the ideal settings for various types of food as well as the best accessories and cookware. We have perfectly tailored these recommendations to your appliance.

Tip: A lot of other information about the preparation, corresponding adjustment values and recipes can be found in the Home Connect app or on our website siemens-home.bsh-group.com.

23.1 General cooking tips

Take note of the following information when cooking all types of food.

- The temperature and cooking time depend on the amount of food and the recipe. Settings ranges are specified for this reason. Try using the lower values to start with.
- The setting values apply to food placed in the cooking compartment while the cooking compartment is still cold. If you want to preheat anyway, do not place accessories into the cooking compartment until it has finished preheating.
- Remove any accessories that are not being used from the cooking compartment.

ATTENTION

Acidic food may damage the wire rack

- ▶ Do not place acidic food, such as fruit or food with an acidic marinade directly on the wire rack.

Information for those allergic to nickel

In rare cases, small amounts of nickel may pass into the food.

You can buy suitable accessories from customer service, from specialist retailers or online.

→ "Other accessories", Page 9

23.2 Notes on baking

When baking, use the shelf positions indicated.

| Baking on one level | Height |
|--|--------|
| Deep baked goods or tin on wire rack | 2 |
| Flat baked goods or goods in a baking tray | 3 |

| Baking on two levels | Height |
|-------------------------------|--------|
| Universal pan | 3 |
| Baking tray | 1 |
| Baking tins on the wire rack: | Height |
| First wire rack | 3 |
| Second wire rack | 1 |
| Baking on three levels | Height |
| Baking tray | 5 |
| Universal pan | 3 |
| Baking tray | 1 |

Notes

- When baking on several layers, use hot air. Baked goods that are placed in the oven at the same time will not necessarily be ready at the same time.
- Place dishes next to each other or offset one above the other in the cooking chamber.
- For best results, we recommend using dark-coloured metal baking tins.

23.3 Notes on roasting and grilling

The setting values are based on the assumption that unstuffed, chilled, ready-to-roast poultry, meat or fish is placed into a cold cooking compartment.

- The larger the poultry, meat or fish, the lower the cooking temperature and the longer the cooking time.
- Turn the poultry, meat or fish after approx. 1/2 to 2/3 of the time listed.
- When you turn poultry, ensure that the breast side or skin side is underneath to begin with.

Roasting and grilling on the wire rack

Roasting on the wire rack works particularly well for large poultry or for multiple pieces at the same time.

- Depending on the size and type of the food to be roasted, add up to 1/2 litre water to the universal pan. You can make a sauce from the juices that are collected. This also means that less smoke is produced and the cooking compartment does not become as dirty.
- Keep the appliance door closed when using the grill. Never grill with the appliance door open.
- Place the food to be grilled on the wire rack. In addition, slide the universal pan in at least one shelf posi-

tion lower, with the slanted edge facing the appliance door. This means that any dripping fat is caught.

Roasting in cookware

When preparing food in cookware with a lid, the cooking compartment remains cleaner.

Follow the manufacturer's instructions for your roasting dishes. Glass cookware is best.

Cookware without lid

- Use a deep roasting dish.
- Place the cookware onto the wire rack.
- If you do not have any suitable cookware, use the universal pan.

Cookware with lid

- Place the cookware onto the wire rack.
- Meat, poultry and fish can also become crispy in a covered roasting dish. Use a roasting dish with a glass lid. Set a higher temperature.

WARNING – Risk of injury!

If hot glass cookware is placed on a wet or cold surface, the glass may shatter.

- ▶ Place hot glass ovenware on a dry mat after cooking.

WARNING – Risk of scalding!





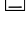



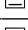

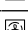
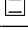





Very hot steam may escape when the lid is opened after cooking. Steam may not be visible, depending on the temperature.

- ▶ Lift the lid in such a way that the hot steam can escape away from you.
- ▶ Keep children away from the appliance.










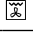













23.4 List of foods

Recommended settings for a variety of foods, sorted into food categories.

Recommended settings for various types of food

| Food | Accessory/cookware | Height | Type of heating | Temperature in °C/grill setting | Cooking time in mins |
|--|--------------------------------------|--------|---|---------------------------------|----------------------|
| Sponge cake, simple | Ring-shaped tin or Loaf tin | 2 |  | 150-170 | 50-70 |
| Sponge cake, simple | Ring-shaped tin or Loaf tin | 2 |  | 150-160 | 70-90 |
| Sponge cake, delicate (springform tin) | Ring-shaped tin or Loaf tin | 2 |  | 150-170 | 60-80 |
| Cake, 2 levels | Ring-shaped tin or Loaf tin | 3+1 |  | 140-150 | 70-85 |
| Fruit tart or cheesecake with shortcrust pastry base | Springform cake tin, diameter 26 cm. | 2 |  | 170-190 | 55-80 |
| Yeast cake in springform tin | Springform cake tin Ø 28 cm | 2 |  | 160-170 | 25-35 |
| Fatless sponge cake, 6 eggs | Springform cake tin Ø 28 cm | 2 |  | 150-160 ¹ | 30-40 |
| Swiss roll | Universal pan | 3 |  | 180-200 ¹ | 10-15 |
| Shortcrust tart with moist topping | Universal pan | 2 |  | 160-180 | 55-95 |
| Yeast cake with moist topping | Universal pan | 3 |  | 180-200 | 30-55 |
| Muffins | Muffin tray | 2 |  | 170-190 | 20-40 |
| Small yeast cakes | Universal pan | 3 |  | 160-180 | 25-35 |
| Small yeast cakes | Universal pan | 3 |  | 160-170 | 25-45 |
| Biscuits | Universal pan | 3 |  | 140-160 | 15-25 |
| Biscuits, 2 levels | Universal pan + Baking tray | 3+1 |  | 140-160 | 15-25 |
| Biscuits, 3 levels | Universal pan + x 2 Baking tray | 5+3+1 |  | 140-160 | 15-25 |
| Meringues | Universal pan | 3 |  | 80-90 ¹ | 120-150 |

¹ Preheat the appliance.

| Food | Accessory/cookware | Height | Type of heating | Temperature in °C/grill setting | Cooking time in mins |
|---|--------------------------------|--------|---|--|--------------------------------------|
| Bread, 1000 g (in a loaf tin or free-form) | Universal pan or Loaf tin | 2 |  | 1. 210-220 ¹ 2. 180-190 ¹ | 1. 10-15 2. 40-50 |
| Pizza, fresh, on a baking tray | Universal pan | 2 |  | 200-220 | 25-35 |
| Pizza, fresh, on a baking tray | Universal pan | 3 |  | 180-200 | 20-30 |
| Pizza, fresh, thin-crust, on a pizza tray | Pizza tray | 2 |  | 250-270 ¹ | 15-20 |
| Pizza, fresh, thin-crust, on a pizza tray | Pizza tray | 2 |  | 250-270 ¹ | 8-13 |
| Quiche | Tart dish or tin or Black tray | 1 |  | 210-230 | 30-40 |
| Quiche | Tart dish or tin or Black tray | 2 |  | 190-210 | 25-35 |
| Börek | Universal pan | 1 |  | 180-200 | 40-50 |
| Bake, savoury, cooked ingredients | Ovenproof dish | 2 |  | 200-220 | 30-60 |
| Chicken, 1.3 kg, unstuffed | Uncovered cookware | 2 |  | 200-220 | 60-70 |
| Small chicken portions, 250 g each | Uncovered cookware | 3 |  | 220-230 | 30-35 |
| Goose, unstuffed, 3 kg | Uncovered cookware | 2 |  | 1. 140 2. 160 | 1. 130-140 2. 50-60 |
| Pork loin, lean, 1 kg | Flat glass dish | 2 |  | 180 | 90-120 |
| Joint of pork without rind, e.g. neck, 1.5 kg | Uncovered cookware | 2 |  | 160-170 | 130-150 |
| Joint of pork without rind, e.g. neck, 1.5 kg | Uncovered cookware | 2 |  | 190-200 | 120-150 |
| Fillet of beef, medium, 1 kg ² | Wire rack + Universal pan | 3 |  | 210-220 | 40-50 ³ |
| Pot-roasted beef, 1.5 kg ⁴ | Covered cookware | 2 |  | 200-220 | 130-150 |
| Sirloin, medium, 1.5 kg | Wire rack + Universal pan | 3 |  | 200-220 | 60-70 ³ |
| Burger, 3–4 cm thick ⁵ | Wire rack | 4 |  | 3 | 25-30 ⁶ |
| Leg of lamb, boned, medium, 1.0 kg, tied ⁷ | Uncovered cookware | 2 |  | 170-190 | 70-80 ⁸ |
| Fish, grilled, whole, 300 g, e.g. trout ² | Wire rack | 2 |  | 160-180 | 20-30 |
| Fish, braised, whole, 300 g, e.g. trout | Covered cookware | 2 |  | 170-190 | 30-40 |
| Fish, braised, whole, 1.5 kg, e.g. salmon | Covered cookware | 2 |  | 180-200 | 55-65 |

Yoghurt

Use your appliance to make yoghurt.

¹ Preheat the appliance.

² Slide the universal pan underneath the wire rack.

³ Turn the dish between halfway and two-thirds through the cooking time.

⁴ At the start, add liquid to the cookware so that at least 2/3 of the joint is covered in liquid

⁵ Slide the universal pan in underneath at shelf position 2.

⁶ Turn the dish 2/3 of the way through the cooking time.

⁷ Pour water into the dish so that it covers the base.


⁸ Do not turn the food.

Preparing yoghurt

1. Remove the accessories and shelf supports from the cooking compartment.
2. Pour the previously prepared yoghurt mixture into small containers, e.g. into cups or small jars.
3. Cover the containers with foil, e. g. with cling film.

4. Place the containers on the cooking compartment floor.
5. Set the appliance according to the recommended setting.
6. After making the yoghurt, leave it to cool in the refrigerator.

Recommended settings for desserts

| Food | Accessory/cookware | Height | Type of heating | Temperature in °C | Cooking time in mins |
|---------|--------------------|---------------------------|---|-------------------|----------------------|
| Yoghurt | Individual moulds | Cooking compartment floor |  | 40-45 | 8-9 hrs |

23.5 Special cooking methods and other applications

Information and recommended settings for special cooking methods and other applications, e.g. low-temperature cooking.

Slow cooking





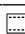
For all prime cuts which are to be cooked rare or "à point". When slow cooking at low temperatures, meat and poultry remain juicy and tender.

Slow cooking food

Requirements

- The cooking compartment is cold.
 - Use fresh, hygienically perfect meat. Pieces without bones and without a lot of connective tissue are most suitable.
1. Preheat the cooking compartment and cookware for approx. 15 minutes.
 2. Sear the meat on all sides on the hob at a very high heat.
 3. Immediately place the meat into the pre-warmed cookware in the cooking compartment.
 4. Keep the appliance door closed in order to maintain an even cooking climate.



Recommended settings for slow cooking

| Food | Accessory/cookware | Height | Searing time in mins | Type of heating | Temperature in °C | Cooking time in mins |
|------------------------------------|--------------------|--------|----------------------|---|-------------------|----------------------|
| Duck breast, 300 g each | Uncovered cookware | 2 | 6-8 |  | 95 ¹ | 60-70 |
| Fillet of pork, whole | Uncovered cookware | 2 | 4-6 |  | 85 ¹ | 75-100 |
| Fillet of beef, 4-6 cm thick, 1 kg | Uncovered cookware | 2 | 6-8 |  | 85 ¹ | 90-150 |
| Veal medallions, 4 cm thick | Uncovered cookware | 2 | 4 |  | 80 ¹ | 50-70 |
| Saddle of lamb, boned, 200 g each | Uncovered cookware | 2 | 4 |  | 85 ¹ | 30-70 |

23.6 Meals and tips for cooking for Great Britain

Recommended settings for meals with British cooking habits.

Recommended settings for baking on one level







| Food | Accessory/cookware | Height | Type of heating | Temperature in °C | Cooking time in mins |
|----------------------|-------------------------------|--------|---|----------------------|----------------------|
| Victoria sponge cake | x 2 Baking tin, dia. 20 cm | 2 |  | 150-170 ² | 15-25 |
| Rich fruit cake | Deep, 23 cm diameter tin | 2 |  | 140-150 | 180-210 |

Also follow the instructions in the individual sections. This section contains only special additional information relating to British meals and cooking habits.


Baking

¹ Preheat the appliance.

² Preheat the appliance. Do not use the rapid heating function.

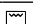


| Food | Accessory/cookware | Height | Type of heating | Temperature in °C | Cooking time in mins |
|--------------------------|----------------------------------|--------|---|----------------------|----------------------|
| Fruit Pie | 20 cm diameter plate or Pie tin | 2 |  | 160-170 | 60-70 |
| (White) Bread | Loaf tin, 1 x 900 g or 2 x 450 g | 2 |  | 190-210 ¹ | 25-40 |
| Scones | Baking sheet on wire rack | 3 |  | 190-200 ² | 10-15 |
| Biscuits | Baking sheet on wire rack | 3 |  | 140-160 ¹ | 10-20 |
| Small cakes (12-cup-tin) | 12-cup-tin | 3 |  | 150 ³ | 25-35 |
| Pavlova | Baking sheet on wire rack | 3 |  | 100-110 | 150-180 |

Recommended settings for baking on several levels


| Food | Accessory/cookware | Height | Type of heating | Temperature in °C | Cooking time in mins |
|--------------------------------|----------------------------|--------|---|----------------------|----------------------|
| Victoria Sponge Cake, 2 levels | x 4 Baking tin, dia. 20 cm | 3+1 |  | 150-160 ² | 20-30 |

Grilling

Recommended settings for pork

| Food | Accessory/cookware | Height | Type of heating | Temperature in °C/grill setting | Cooking time in mins |
|----------------------------|--------------------|--------|---|---------------------------------|----------------------------|
| Bacon rashers ⁴ | Wire rack | 3 |  | 3 ⁵ | 1. side 4-5 2. side 3-4 |
| Sausages, thickness 2-4 cm | Wire rack | 3 |  | 3 ⁶ | 10-20 ⁷ |
| Gammon joint | Uncovered cookware | 2 |  | 170-180 | 25+20 ⁸ |

Recommended settings for poultry

| Food | Accessory/cookware | Height | Type of heating | Temperature in °C | Cooking time in mins |
|-----------------------------|--------------------|--------|---|-------------------|----------------------|
| Chicken, whole ⁴ | Wire rack | 2 |  | 170-180 | 25+20 |

Roasting and braising


Cooking tips for roasting and braising

Follow this information when frying or braising poultry or meat.

Calculating the cooking time, e.g. 20+35:

- To calculate the cooking time, assume 20 minutes per 500 g of meat. Then add an extra 35 minutes to that figure.

Recommended settings for meat

| Food | Accessory/cookware | Height | Type of heating | Temperature in °C | Cooking time in mins |
|---------------------------|--------------------|--------|---|-------------------|----------------------|
| Beef, Top side / Top rump | Uncovered cookware | 2 |  | 170 | 40+30 |

¹ Preheat the appliance. Do not use the rapid heating function.

² Preheat the appliance.

³ Preheat the appliance for five minutes. Do not use the rapid heating function.

⁴ Slide the universal pan underneath the wire rack.

⁵ Preheat the appliance for 5 minutes.

⁶ Preheat the appliance for 3 minutes.

⁷ Turn the food several times.

⁸ Do not turn the food.

- For 1.5 kg, the cooking time would therefore be 95 minutes.

Cooking time range, e.g. 10-15:

- Your food will be ready within the specified range of time (in minutes).

| Food | Accessory/cookware | Height | Type of heating | Temperature in °C | Cooking time in mins |
|--|--|--------|-----------------|-----------------------------------|--|
| Lamb, leg (bone-in) | Uncovered cookware | 2 | ⊗ | 160-170 | 25+15 |
| Casserole, diced meat (beef, pork, lamb), 500 g meat | Covered cookware | 2 | ⊗ | 140 | 120-140 |
| Complete meal, with chicken | x 2 Wire rack + Universal pan | 4+1 | ⊗ | 180, then 200 (yorkshire pudding) | chicken: (25 +25) + 20 for yorkshire pudding |

Recommended settings for pork

| Food | Accessory/cookware | Height | Type of heating | Temperature in °C/grill setting | Cooking time in mins |
|-------|--------------------|--------|-----------------|---------------------------------|---------------------------------|
| Belly | Uncovered cookware | 2 | 1. ☐ 2. ☐ | 1. 170-180 2. 2 | 1. 30+30 2. 3-5 ¹ |

Recommended settings for poultry

| Food | Accessory/cookware | Height | Type of heating | Temperature in °C | Cooking time in mins |
|-----------------------|--------------------|--------|-----------------|-------------------|----------------------|
| Chicken, whole | Wire rack | 2 | ⊗ | 170-180 | 25+15 |
| Turkey, crown | Wire rack | 2 | ⊗ | 140-150 | 20+25 |
| Turkey, whole, 4-8 kg | Wire rack | 1 | ⊗ | 150-160 | 12+12 |

Recommended settings for fish

| Food | Accessory/cookware | Height | Type of heating | Temperature in °C | Cooking time in mins |
|--|--------------------|--------|-----------------|-------------------|----------------------|
| Fish, braised, whole 300 g, e.g. trout | Covered cookware | 2 | ⊗ | 170-190 | 25-35 |

23.7 Test dishes

The information in this section is provided for test institutes to facilitate testing of the appliance in accordance with EN 60350-1.

Baking

- The setting values apply to food that is placed into a cold cooking compartment.
- Take note of the information on preheating in the recommended settings tables. These setting values apply without rapid heat-up.
- For baking, use the lower of the temperatures indicated first.
- Items that are placed in the appliance on baking trays or in baking tins/dishes at the same time will not necessarily be ready at the same time.

Recommended settings for baking

| Food | Accessory/cookware | Height | Type of heating | Temperature in °C | Cooking time in mins |
|---------------------------|-----------------------------------|--------|-----------------|----------------------|----------------------|
| Shortbread | Universal pan | 3 | ☐ | 140-150 ² | 25-35 |
| Shortbread | Universal pan | 3 | ☐ | 140 ² | 28-38 |
| Viennese whirls, 2 levels | Universal pan + Baking tray | 3+1 | ⊗ | 140 ² | 30-40 |

¹ Do not turn the food.

² Preheat the appliance for five minutes. Do not use the rapid heating function.

- Shelf positions when baking on 2 levels:
 - Universal pan: Shelf position 3
 - Baking tray: Shelf position 1
- Baking tins on the wire rack:
 - First wire rack: Shelf position 3
 - Second wire rack: Shelf position 1
- Shelf positions when baking on 3 levels:
 - Baking tray: Shelf position 5
 - Universal pan: Shelf position 3
 - Baking tray: Shelf position 1
- Hot water sponge cake
 - When baking on 2 levels, place the springform tins each in the centre of the wire racks.
 - As an alternative to a pan support, you can also use the Air Fry baking tray offered by us.

| Food | Accessory/cookware | Height | Type of heating | Temperature in °C | Cooking time in mins |
|---------------------------------|--|--------|-----------------|----------------------|----------------------|
| Viennese whirls, 3 levels | Universal pan + x 2 Baking tray | 5+3+1 | | 130-140 ¹ | 35-55 |
| Small Cakes | Universal pan | 3 | | 150 ¹ | 25-35 |
| Small Cakes | Universal pan | 3 | | 150 ¹ | 20-30 |
| Small Cakes | Universal pan | 3 | | 170 | 20-30 |
| Small Cakes, 2 levels | Universal pan + Baking tray | 3+1 | | 150 ¹ | 25-35 |
| Small Cakes, 3 levels | Universal pan + x 2 Baking tray | 5+3+1 | | 140 ¹ | 30-40 |
| Hot water sponge cake | Springform cake tin, diameter 26 cm. | 2 | | 160-170 ² | 25-35 |
| Hot water sponge cake | Springform cake tin, diameter 26 cm. | 2 | | 160-170 | 30-40 |
| Hot water sponge cake, 2 levels | Springform cake tin, diameter 26 cm. | 3+1 | | 150-160 ² | 35-50 |
| Apple Pie, 2 x | x 2 20 cm springform cake tin | 2 | | 180-190 | 75-90 |

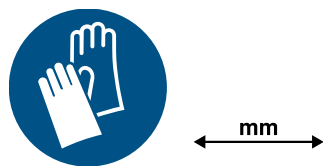
Grilling

Recommended settings for grilling

| Food | Accessory/cookware | Height | Type of heating | Temperature in °C/grill setting | Cooking time in mins |
|----------------|--------------------|--------|-----------------|---------------------------------|----------------------|
| Toasting bread | Wire rack | 5 | | 3 ³ | 5-6 |

24 Installation instructions

Observe this information when installing the appliance.



24.1 General installation instructions

Follow these instructions before you start installing the appliance.

- The safe operation of this appliance can only be guaranteed if it has been installed to a professional standard in accordance with these installation instructions. The installer

shall be liable for damages incurred as a result of incorrect installation.

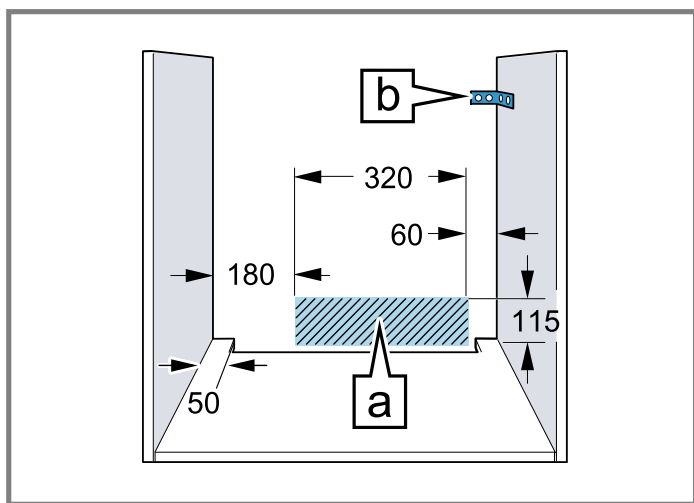
- Check the appliance for damage after unpacking it. Do not connect the appliance if it has been damaged in transit.
- Before starting up the appliance, remove any packaging material and adhesive film from the cooking compartment and the door.
- Proceed in accordance with the installation sheets for installing accessories.
- Fitted units must be heat-resistant up to 95 °C, and adjacent unit fronts up to 70 °C.
- Do not install the appliance behind a decorative door or the door of a kitchen unit. There is a risk of overheating.

¹ Preheat the appliance for five minutes. Do not use the rapid heating function.

² Preheat the appliance. Do not use the rapid heating function.

³ Do not preheat the appliance.

- Cut-out work on the units should be carried out before installing the appliance. Remove any shavings. Otherwise, the correct operation of electrical components may be adversely affected.
 - The appliance may be installed at a height of less than 850 mm above the floor.
 - Position the appliance on a horizontal surface.
 - The mains socket for the appliance must either be located in the hatched area **a** or outside of the area where the appliance is installed.
- Any unsecured units must be secured to the wall using a standard bracket **b**.



- Wear protective gloves so that you do not cut yourself. Parts that are accessible during installation may have sharp edges.
- Dimensions of the figures in mm.

⚠ WARNING – Risk of electric shock!

Once the appliance has been installed, the openings in the back panel of the appliance must not be accessible to children, not even through the drawers and kitchen cabinets underneath. This must be ensured through the installation. In the case of an island unit, a closed back panel is required.

⚠ WARNING – Risk of fire!

It is dangerous to use an extended power cord and non-approved adapters.

- ▶ Do not use extension cables or multiple socket strips.
- ▶ Only use adapters and power cords approved by the manufacturer.
- ▶ If the power cord is too short and a longer one is not available, please contact an electrician to have the domestic installation adapted.

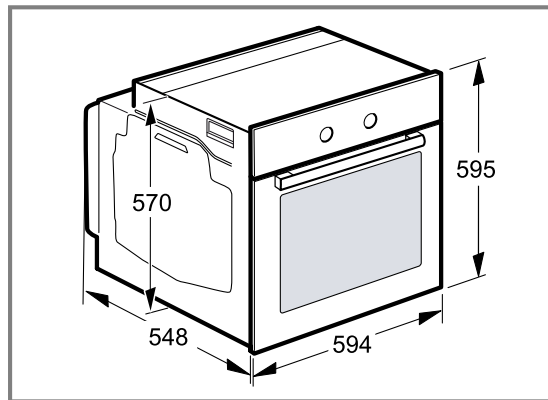
ATTENTION

Carrying the appliance by the door handle could break it. The door handle cannot support the weight of the appliance.

- ▶ Do not carry or hold the appliance by the door handle.

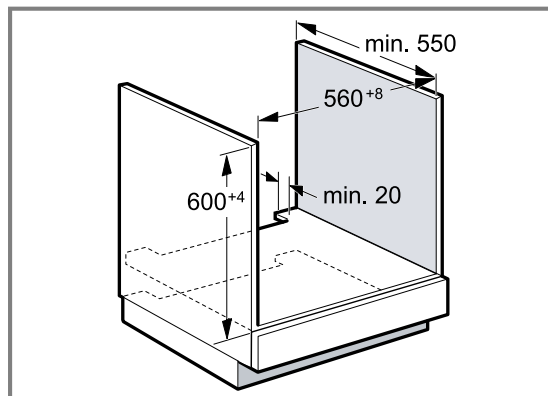
24.2 Appliance dimensions

You will find the dimensions of the appliance here



24.3 Installation below a worktop

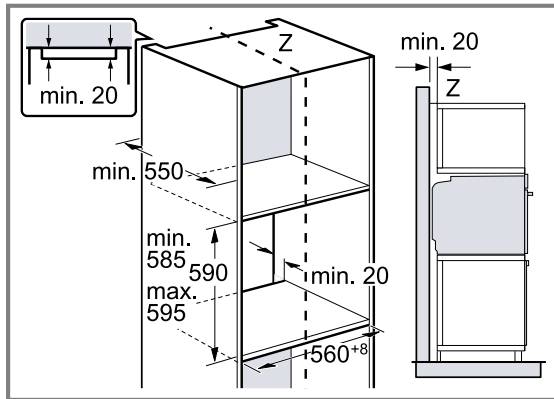
Observe the installation dimensions and the installation instructions when installing below a worktop.



- To ventilate the appliance, the intermediate floor must have a ventilation cut-out.
- In combination with induction hobs, the gap between the worktop and appliance must not be sealed using additional strips.
- The worktop must be secured to the fitted unit.
- Observe any available installation instructions for the hob.
- Observe different national installation instructions for the hob.
- Observe the worktop depth of min. 600 mm.
- When installing under a gas hob, ensure that the appliance does not come into contact with the gas connection of the gas hob.
- If necessary, call a qualified specialist for gas installation.

24.4 Installation in a tall unit

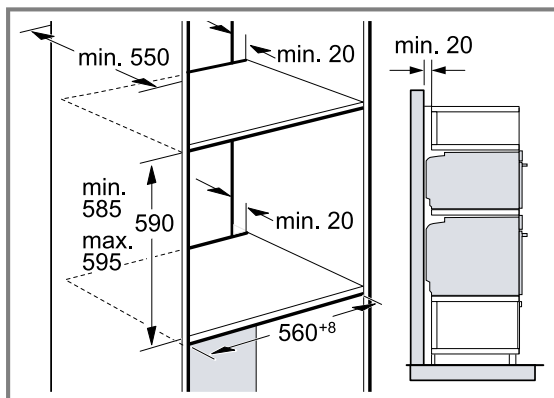
Observe the installation dimensions and the installation instructions when installing in a tall unit.



- To ventilate the appliance, the intermediate floors must have a ventilation cut-out.
- Only fit the appliance up to a height which allows accessories to be easily removed.

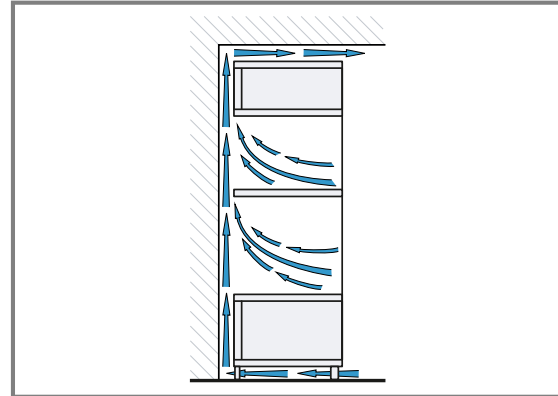
24.5 Installing two appliances on top of each other

Your appliance can also be installed above or below another appliance. Observe the installation dimensions and the installation instructions when installing appliances on top of each other.



- To ventilate the appliances, the intermediate floor must have a ventilation cut-out.
- To ensure sufficient ventilation of the two appliances, there must be a ventilation opening of at least 200 cm² in the base area. To do this, trim the base panel or fit a ventilation grille.

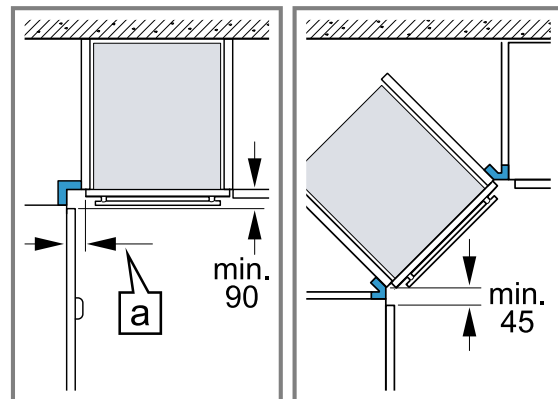
- Ensure that air exchange is guaranteed in accordance with the diagram.



- Only fit appliances up to a height that allows accessories to be easily removed.

24.6 Corner installation

Observe the installation dimensions and the installation instructions when installing in a corner.



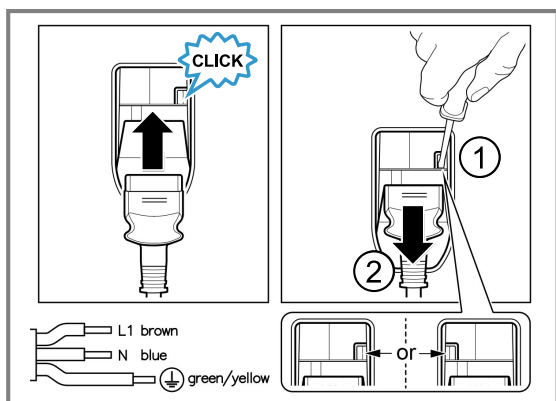
- To ensure that the appliance door can be opened, you must take the minimum dimensions into consideration when installing in a corner. The dimension \square is dependent on the thickness of the unit front and the handle.

24.7 Electrical connection

In order to safely connect the appliance to the electrical system, follow these instructions.

- The appliance corresponds to protection class I and must only be operated with a protective earth connection.
- The fuse protection must correspond to the power rating specified on the appliance's rating plate and to the local regulations.
- The appliance must be disconnected from the power supply whenever installation work is being carried out.
- The appliance must only be connected using the power cable provided.

- The power cable must be plugged in at the rear of the appliance until you hear a clicking sound. A 3 m power cable can be obtained from customer service.



- The power cable must only be replaced with a cable from the original manufacturer. This is available from after-sales service.
- Contact protection must be guaranteed by the installation.

Electrically connect the appliance with the protective contact plug

Note: The appliance must only be connected to a protective contact socket that has been correctly installed.

- ▶ Insert the plug into the protective contact socket. When the appliance is installed, the mains plug of the power cord must be freely accessible. If free access is not possible, an isolating switch must be integrated into the permanent electrical installation according to the installation regulations.

Electrically connecting an appliance without a protective contact plug

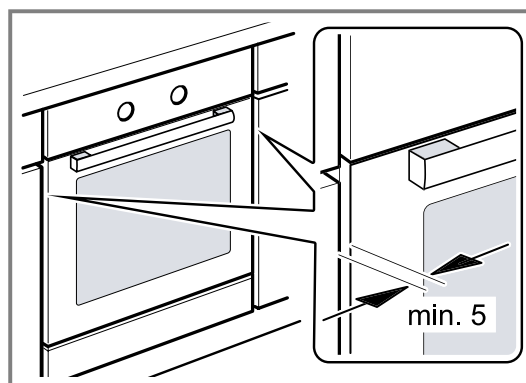
Note: Only licensed specialists may connect the appliance. Damage caused by incorrect connection is not covered under the warranty.

An isolating switch must be integrated into the permanent electrical installation according to the installation regulations.

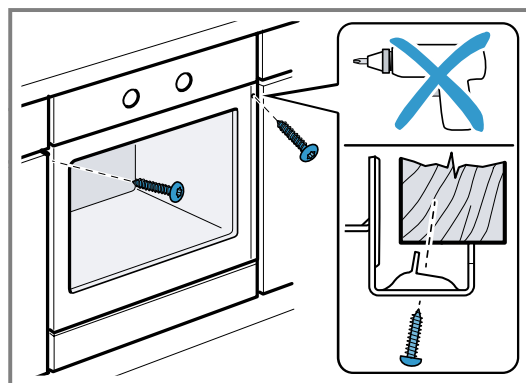
1. Identify the phase and neutral conductors in the socket.
The appliance may be damaged if it is not connected correctly.
2. Connect the hob in accordance with the connection diagram.
See the rating plate for the voltage.
3. Connect the wires of the mains power cable according to the colour coding:
 - ▶ Green/yellow = Protective conductor ⊕
 - ▶ Blue = Neutral conductor
 - ▶ Brown = Phase (external conductor)

24.8 Installing the appliance

1. Slide the appliance in fully and centre it.



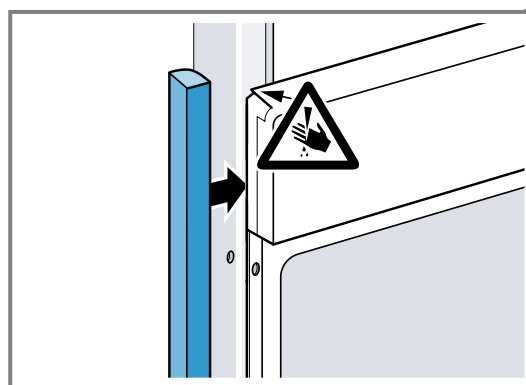
2. Screw the appliance into place.



Note: The gap between the worktop and the appliance must not be closed by additional battens. Thermal insulation strips must not be fitted to the side panels of the surround unit.

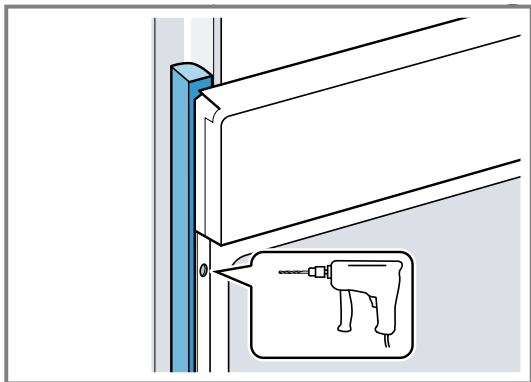
24.9 For handleless kitchens with vertical bar handle strips:

1. Attach a suitable filling piece on both sides in order to cover any sharp edges and to guarantee safe installation.

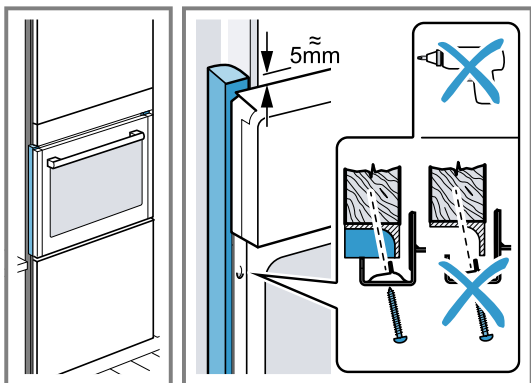


2. Secure the filling piece to the unit.

3. Pre-drill the filling piece and the unit to establish a screw connection.



4. Secure the appliance using a suitable screw.



24.10 Removing the appliance

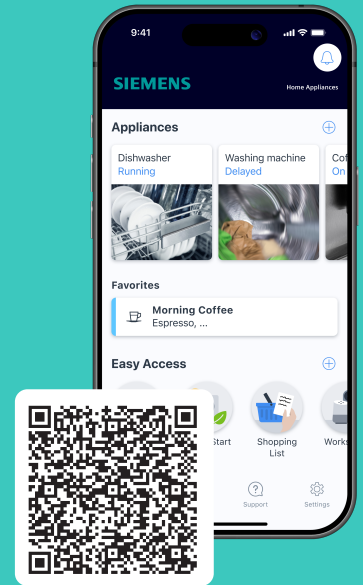
1. Disconnect the appliance from the power supply.
2. Undo the fastening screws.
3. Lift the appliance slightly and pull it out completely.



Siemens Home Appliances App

Connect your home appliance today and enjoy the following benefits:

- Enjoy smart control and have easy access to device information - from anywhere, even per voice.
- Optimize product performance with regular software updates, cooking assistance and feature explanation.
- Improve product care thanks to useful maintenance and cleaning reminders and a device status dashboard.



EN Manufactured by BSH Hausgeräte GmbH under the trademark licence of Siemens AG

Valid within Great Britain:
Imported to Great Britain by
BSH Home Appliances Ltd.
Grand Union House
Old Wolverton Road
Wolverton, Milton Keynes
MK12 5PT
United Kingdom

BSH Hausgeräte GmbH
Carl-Wery-Straße 34
81739 München, GERMANY
siemens-home.bsh-group.com



9001934115 (060107) REG25
en