



BOSCH

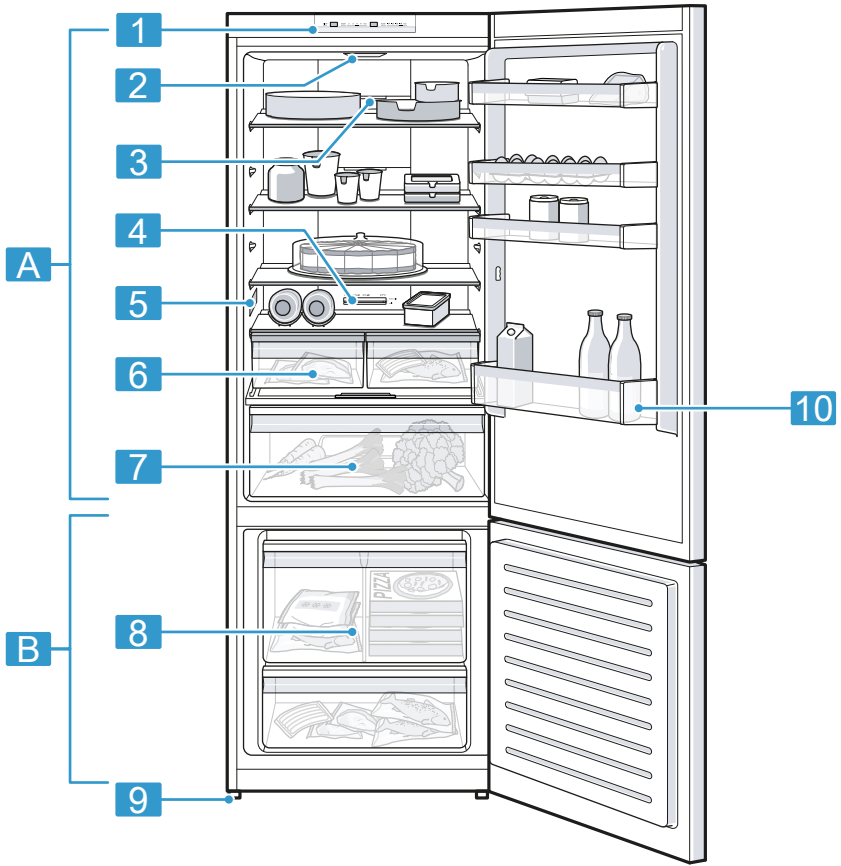


Register your
new device on
MyBosch now and
get free benefits:
[bosch-home.com/
welcome](https://bosch-home.com/welcome)

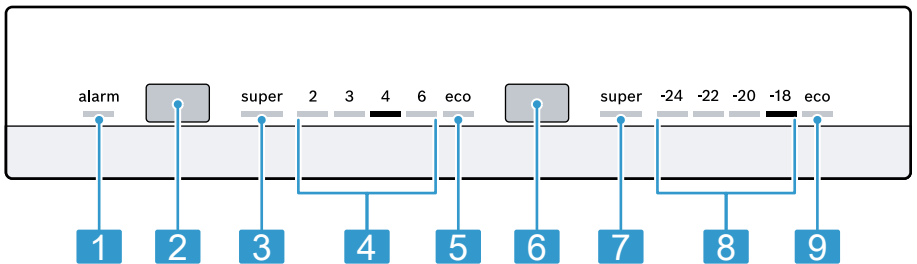
Fridge-freezer

KG55..

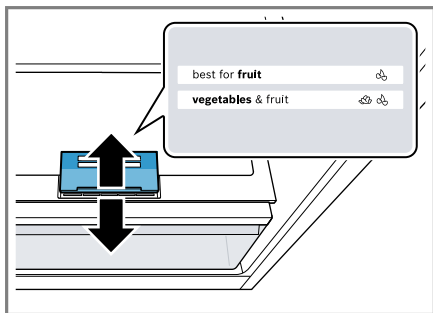
[en]	Information for Use	Fridge-freezer	5
[ar]	دليل المستخدم	ثلاجة التبريد والتجميد	30
[ru]	Руководство пользователя	Холодильно-морозильная комбинация	55



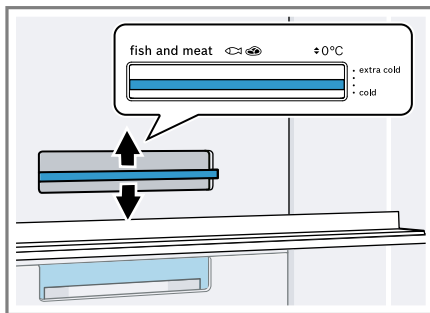
1



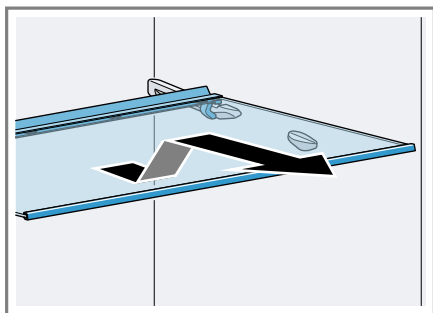
2



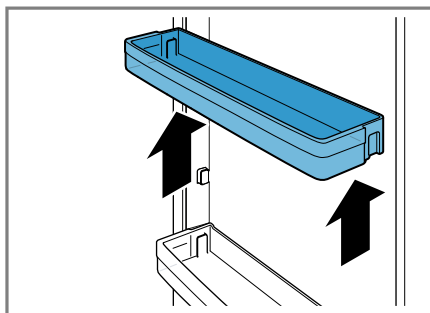
3



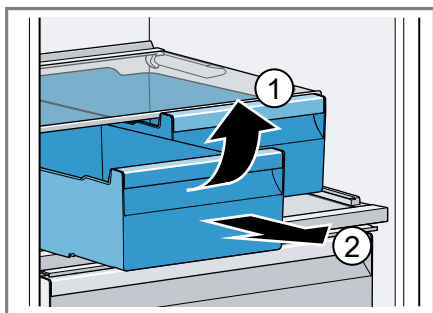
4



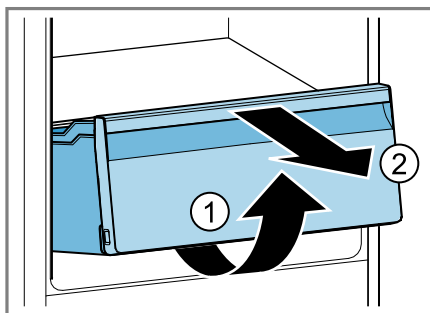
5



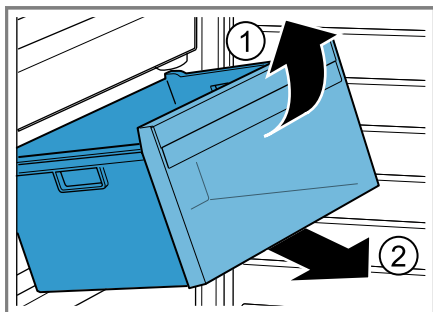
6



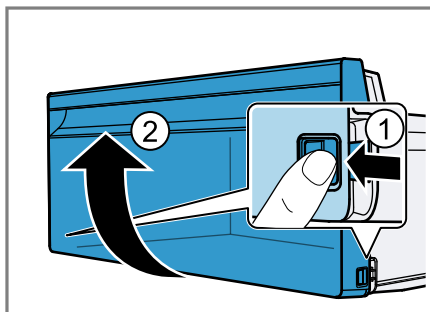
7



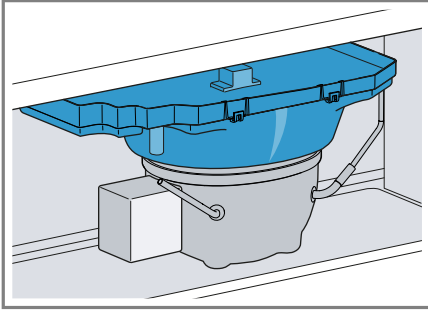
8



9



10



11

Further information and explanations are available online:



Table of contents

1 Safety	7		
1.1 General information.....	7	6.5 Door rack.....	17
1.2 Intended use.....	7	6.6 Accessories.....	17
1.3 Restriction on user group.....	7	7 Basic operation	17
1.4 Safe transport.....	7	7.1 Switching on the appliance.....	17
1.5 Safe installation	8	7.2 Operating tips.....	18
1.6 Safe use	9	7.3 Switching off the appliance.....	18
1.7 Damaged appliance.....	11	7.4 Setting the temperature.....	18
2 Preventing material damage	13	8 Additional functions	19
3 Environmental protection and saving energy.....	13	8.1 Super cooling	19
3.1 Disposing of packaging	13	8.2 Super freezing	19
3.2 Saving energy.....	13	8.3 Energy-saving mode.....	19
4 Installation and connection.....	14	9 Alarm.....	19
4.1 Scope of delivery.....	14	9.1 Door alarm	19
4.2 Criteria for the installation location.....	14	9.2 Temperature alarm.....	20
4.3 Installing the appliance	15	10 Refrigerator compartment.....	20
4.4 Preparing the appliance for the first time.....	15	10.1 Tips for storing food in the refrigerator compartment.....	20
4.5 Connecting the appliance to the electricity supply.....	15	10.2 Chill zones in the refrigerator compartment.....	20
5 Familiarising yourself with your appliance.....	15	11 Freezer compartment.....	21
5.1 Appliance	15	11.1 Freezing capacity	21
5.2 Control panel.....	15	11.2 Fully utilising the freezer compartment volume	21
6 Features	16	11.3 Tips for storing food in the freezer compartment.....	21
6.1 Shelf.....	16	11.4 Tips for freezing fresh food ...	21
6.2 Storage container.....	16	11.5 Shelf life of frozen food at -18 °C.....	22
6.3 Fruit and vegetable container with humidity control	16	11.6 Defrosting methods for frozen food	22
6.4 Container divider	17		

12 Defrosting	22
12.1 Defrosting in the refrigerator compartment.....	22
12.2 Defrosting in the freezer compartment	22
13 Cleaning and servicing	22
13.1 Preparing the appliance for cleaning	22
13.2 Cleaning the appliance	23
13.3 Removing the fittings.....	23
14 Troubleshooting	25
14.1 Power failure.....	28
15 Storage and disposal	28
15.1 Taking the appliance out of operation	28
15.2 Disposing of old appliance ...	28
16 Customer Service	29
16.1 Product number (E-Nr.) and production number (FD).....	29
17 Technical data	29



1 Safety

Observe the following safety instructions.

1.1 General information

- Read this instruction manual carefully.
- Keep the instruction manual and the product information safe for future reference or for the next owner.
- Do not connect the appliance if it has been damaged in transit.

1.2 Intended use

Only use this appliance:

- for chilling and freezing food and for making ice cubes.
- in private households and in enclosed spaces in a domestic environment.
- Up to an altitude of 2000 m above sea level.

1.3 Restriction on user group

This appliance may be used by children aged 8 or over and by people who have reduced physical, sensory or mental abilities or inadequate experience and/or knowledge, provided that they are supervised or have been instructed on how to use the appliance safely and have understood the resulting dangers.

Do not let children play with the appliance.

Cleaning and user maintenance must not be performed by children unless they are being supervised.

1.4 Safe transport

WARNING – Risk of injury!

The high weight of the appliance may result in injury when lifted.

- ▶ Do not lift the appliance on your own.

1.5 Safe installation

WARNING – Risk of electric shock!

Incorrect installation is dangerous.

- ▶ Connect and operate the appliance only in accordance with the specifications on the rating plate.
- ▶ Connect the appliance to a power supply with alternating current only via a properly installed socket with earthing.
- ▶ The protective conductor system of the domestic electrical installation must be properly installed.
- ▶ Never equip the appliance with an external switching device, e.g. a timer or remote control.
- ▶ When the appliance is installed, the mains plug of the power cord must be freely accessible. If free access is not possible, an isolating switch must be integrated into the permanent electrical installation according to the installation regulations.
- ▶ When installing the appliance, check that the power cable is not trapped or damaged.

If the insulation of the power cord is damaged, this is dangerous.

- ▶ Never let the power cord come into contact with heat sources.

WARNING – Risk of explosion!

If the appliance's ventilation openings are sealed, a leak in the refrigeration circuit may result in a flammable mixture of gas and air.

- ▶ Keep ventilation openings, in the appliance enclosure or in the built-in structure, clear of obstruction.

WARNING – Risk of fire!

It is dangerous to use an extended power cord and non-approved adapters.

- ▶ Do not use extension cables or multiple socket strips.
- ▶ Only use adapters and power cords approved by the manufacturer.
- ▶ If the power cord is too short and a longer one is not available, please contact an electrician to have the domestic installation adapted.

Portable multiple socket strips or portable power supply units may overheat and cause a fire.

- ▶ Do not place portable multiple socket strips or power supply units on the back of the appliance.

1.6 Safe use

WARNING – Risk of electric shock!

An ingress of moisture can cause an electric shock.

- ▶ Only use the appliance in enclosed spaces.
- ▶ Never expose the appliance to intense heat or humidity.
- ▶ Do not use steam- or high-pressure cleaners to clean the appliance.

WARNING – Risk of suffocation!

Children may put packaging material over their heads or wrap themselves up in it and suffocate.

- ▶ Keep packaging material away from children.
 - ▶ Do not let children play with packaging material.
- Children may breathe in or swallow small parts, causing them to suffocate.
- ▶ Keep small parts away from children.
 - ▶ Do not let children play with small parts.

WARNING – Risk of explosion!

If the cooling circuit is damaged, flammable refrigerant may escape and explode.

- ▶ To accelerate the defrosting process, do not use any other mechanical devices or means other than those recommended by the manufacturer.
- ▶ If food is stuck to the freezer compartment, loosen it with a blunt implement such as the handle of a wooden spoon.

Products which contain flammable propellants and explosive substances may explode, e.g. spray cans.

- ▶ Do not store products which contain flammable propellants (e.g. spray cans) or explosive substances in the appliance.

⚠ WARNING – Risk of fire!

Electrical devices within the appliance may cause a fire, e.g. heaters or electric ice makers.

- ▶ Do not operate electrical devices within the appliance.

⚠ WARNING – Risk of injury!

Containers that contain carbonated drinks may burst.

- ▶ Do not store containers that contain carbonated drinks in the freezer compartment.

Injury to the eyes caused by escaping flammable refrigerant and hazardous gases.

- ▶ Do not damage the tubes of the refrigerant circuit or the insulation.

The appliance may tip.

- ▶ Do not stand or support yourself on the base, runners or doors.

⚠ WARNING – Risk of burns!

Individual parts on the back of the appliance become hot during operation.

- ▶ Never touch these hot parts.

⚠ WARNING – Risk of cold burns!

Contact with frozen food and cold surfaces may cause burns by refrigeration.

- ▶ Never put frozen food straight from the freezer compartment into your mouth.

- ▶ Avoid prolonged contact of the skin with frozen food, ice and surfaces in the freezer compartment.

⚠ CAUTION – Risk of harm to health!

To prevent food from being contaminated, you must observe the following instructions.

- ▶ If the door is open for an extended period of time, this may lead to a considerable temperature increase in the compartments of the appliance.

- ▶ Regularly clean the surfaces that may come into contact with food and accessible drain systems.

- ▶ Store raw meat and fish in suitable containers in the refrigerator so that they do not touch or drip on other food.
- ▶ If the fridge/freezer is empty for an extended period of time, switch off the appliance, defrost it, clean it and leave the door open to prevent the formation of mould.

Metal or metal-style parts in the appliance may contain aluminium. If acidic food comes into contact with aluminium in the appliance, aluminium foil ions may pass into the food.

- ▶ Do not consume soiled food.

1.7 Damaged appliance

WARNING – Risk of electric shock!

If the appliance or the power cord is damaged, this is dangerous.

- ▶ Never operate a damaged appliance.
- ▶ Never pull on the power cord to unplug the appliance. Always unplug the appliance at the mains.
- ▶ If the appliance or the power cord is damaged, immediately unplug the power cord or switch off the fuse in the fuse box.
- ▶ Call customer services. → *Page 29*

Improper repairs are dangerous.

- ▶ Repairs to the appliance should only be carried out by trained specialist staff.
- ▶ Only use genuine spare parts when repairing the appliance.
- ▶ If the power cord of this appliance is damaged, it must be replaced by the manufacturer, the manufacturer's Customer Service or a similarly qualified person in order to prevent any risk.

WARNING – Risk of fire!



If the tubes are damaged, flammable refrigerant and harmful gases may escape and ignite.

- ▶ Keep naked flames and ignition sources away from the appliance.
- ▶ Ventilate the room.
- ▶ Switch off the appliance. → *Page 18*

en Safety

- ▶ Unplug the appliance from the mains or switch off the circuit breaker in the fuse box.
- ▶ Call after-sales service. → *Page 29*

2 Preventing material damage

ATTENTION!

If not rolling freely, the appliance's castors may damage the floor when the appliance is moved.

- ▶ Transport the appliance using a sack truck.
- ▶ Use floor protection when moving the appliance, and do not move it in a zigzag fashion.

Using the appliance, base, runners or doors as a seat or climbing surface may damage the appliance.

- ▶ Do not stand or lean on the appliance, base, runners or doors.

Contamination with oil or fat may cause plastic parts and door seals to become porous.

- ▶ Keep plastic parts and door seals free of oil and grease.

Metal or metal-style parts in the appliance may contain aluminium. Aluminium reacts when it comes into contact with acidic foods.

- ▶ Do not store unpackaged food in the appliance.

If you clean fittings and accessories in the dishwasher, this may cause them to become deformed or discoloured.

- ▶ Never clean fittings and accessory in the dishwasher.

3 Environmental protection and saving energy

3.1 Disposing of packaging

The packaging materials are environmentally compatible and can be recycled.

- ▶ Sort the individual components by type and dispose of them separately.

3.2 Saving energy

If you follow these instructions, your appliance will use less power.

Selecting the installation location

- Keep the appliance out of direct sunlight.
- Install the appliance as far away as possible from heating elements, cookers and other heat sources:
 - Maintain a 30 mm clearance to electric or gas cookers.
 - Maintain a 300 mm clearance to oil or solid-fuel cookers.
- Make sure there is a small gap between the side wall and the appliance.
- Never cover or block the external ventilation openings.

Saving energy during use

Note: The arrangement of the fittings does not affect the energy consumption of the appliance.

- Open the appliance only briefly and then close it carefully.
- Never cover or block the interior ventilation openings or the exterior ventilation openings.
- Transport purchased food in a cool bag and place in the appliance quickly.

en Installation and connection

- Allow warm food and drinks to cool down before storing them.
- Thaw frozen food in the refrigerator compartment to utilise the low temperature of the food.
- Always leave some space between the food and to the back panel.

4 Installation and connection

4.1 Scope of delivery

After unpacking all parts, check for any transport damage and for completeness of delivery.

If you have any complaints, contact your dealer or our after-sales service → Page 29.

The delivery consists of the following:

- Free-standing appliance
- Equipment and accessories¹
- Installation material
- Installation instructions
- User manual
- Customer service directory
- Warranty enclosure²
- Energy label
- Information on energy consumption and noises

4.2 Criteria for the installation location

⚠ WARNING
Risk of explosion!

If the appliance is in a space that is too small, a leak in the refrigeration circuit may result in a flammable mixture of gas and air.

- ▶ Only install the appliance in a space with a volume of at least 1 m³ per 8 g refrigerant. The volume of refrigerant is indicated on the rating plate. → Fig. **1/5**

The weight of the appliance ex works may be up to 90 kg depending on the model.

The subfloor must be sufficiently stable to bear the weight of the appliance.

Permitted room temperature

The permitted room temperature depends on the appliance's climate class.

The climate class can be found on the rating plate. → Fig. **1/5**

Climate class	Permitted room temperature
SN	10 °C to 32 °C
N	16 °C to 32 °C
ST	16 °C to 38 °C
T	16 °C to 43 °C

The appliance is fully functional within the permitted room temperature.

If an appliance with climate class SN is operated at colder room temperatures, the appliance will not be damaged up to a room temperature of 5 °C.

¹ Depending on the appliance specifications

² Not in all countries

Over-and-under and side-by-side installation

If you want to install 2 refrigerating appliances one over the other or side by side, you must maintain a clearance of at least 150 mm between the appliances. Selected appliances can be installed without a minimum clearance. Ask your dealer or kitchen planner about this.

4.3 Installing the appliance

- ▶ Install the appliance in accordance with the enclosed installation instructions.

4.4 Preparing the appliance for the first time

1. Remove the informative material.
2. Remove the protective foil and transit bolts, e.g. remove the adhesive strips and carton.
3. Clean the appliance for the first time. → *Page 23*

4.5 Connecting the appliance to the electricity supply

1. Insert the mains plug of the appliance's power cable in a socket nearby.

The connection data of the appliance can be found on the rating plate. → *Fig. 1/5*

2. Check the mains plug is inserted properly.
- ✓ The appliance is now ready for use.

5 Familiarising yourself with your appliance

5.1 Appliance

You can find an overview of the parts of your appliance here.

→ *Fig. 1*

A	Refrigerator compartment → <i>Page 20</i>
B	Freezer compartment → <i>Page 21</i>
1	Control panel → <i>Page 15</i>
2	Lighting
3	Interior ventilation opening
4	Temperature controller (storage container) → <i>Page 18</i>
5	Rating plate → <i>Page 29</i>
6	Storage container → <i>Page 16</i>
7	Fruit and vegetable container with humidity control → <i>Page 16</i>
8	Frozen food container → <i>Page 23</i>
9	Screw foot
10	Door storage compartment for large bottles → <i>Page 17</i>

Note: Deviations between your appliance and the diagrams may differ with regard to their features and size.

5.2 Control panel

You can use the control panel to configure all functions of your appliance and to obtain information about the operating status.

→ *Fig. 2*

-
- 1** **alarm** lights up when the alarm is switched on.

 - 2** The temperature setting button (refrigerator compartment) sets the temperature of the refrigerator compartment.

 - 3** **super** (Refrigerator compartment) lights up when Super cooling is switched on.

 - 4** Displays the set temperature for the refrigerator compartment in °C.

 - 5** **eco** (Refrigerator compartment) lights up when the energy-saving mode in the refrigerator compartment is switched on.

 - 6** The temperature setting button (freezer compartment) sets the temperature of the freezer compartment.

 - 7** **super** (Freezer compartment) lights up when Super freezing is switched on.

 - 8** Displays the set temperature for the freezer compartment in °C.

 - 9** **eco** (Freezer compartment) lights up when the energy-saving mode in the freezer compartment is switched on.
-

6 Features

The features of your appliance depend on the model.

6.1 Shelf

In order to achieve an improved overview and to remove food more quickly, pull out the shelf.

To vary the shelf as required, you can remove the shelf and re-insert it elsewhere.

→ *"Removing the shelf", Page 23*

6.2 Storage container

The temperatures in the storage container are lower than in the refrigerator compartment. Temperatures below 0 °C may occur occasionally.

In order to reach temperatures close to 0 °C in the storage container, set the refrigerator compartment temperature to 2 °C. → *Page 18*

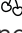

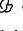
Use the lower temperatures in the storage container to store highly perishable food, e.g. fish, meat and sausages.

6.3 Fruit and vegetable container with humidity control

Store fresh fruit and vegetables loose in the fruit and vegetable container. Cover any chopped fruit and vegetables, or store in air-tight packaging. You can adjust the humidity in the fruit and vegetable container using the humidity controller. This allows fresh fruit and vegetables to be stored for longer than with conventional storage.

→ *Fig. 3*

The air humidity in the fruit and vegetable container can be set according to the type and amount of food to be stored by moving the humidity controller:

- Low humidity  required when primarily storing fruit or mixed items, or if the appliance is very full.
- High humidity   required when primarily storing vegetables or when the appliance is not very full.

Condensation may form in the fruit and vegetable container depending on the food and quantity stored. Remove the condensation with a dry cloth and adjust the air humidity to a lower setting using the humidity controller.

To ensure that the quality and aroma are retained, store fruit and vegetables that are sensitive to cold outside of the appliance at temperatures of approx. 8 °C to 12 °C, e.g. pineapple, bananas, citrus fruits, cucumbers, courgettes, peppers, tomatoes and potatoes.

6.4 Container divider

WARNING **Risk of suffocation!**

Children may climb into the appliance and suffocate.

- ▶ Never remove the container divider from the frozen food container.

ATTENTION!

The container divider for the frozen food container will be damaged if removed.

- ▶ Never remove the container divider from the frozen food container.

The container divider splits the frozen food container so that you can organise food better.

6.5 Door rack

To adjust the door rack as required, you can remove the door rack and re-insert elsewhere.

→ "Removing door rack", Page 23

6.6 Accessories

Use original accessories. These have been made especially for your appliance.

The accessories for your appliance depend on the model.

Egg tray

Store eggs safely on the egg tray.

Ice cube tray

Use the ice cube tray to make ice cubes.

Making ice cubes

Use only drinking water to make ice cubes.

1. Fill the ice cube tray with drinking water up to $\frac{3}{4}$ and place in the freezer compartment.
If the ice cube tray is stuck to the freezer compartment, loosen it with a blunt implement only (e.g. spoon handle).
2. To loosen the ice cubes, twist the ice cube tray slightly or hold it briefly under flowing water.

7 Basic operation

7.1 Switching on the appliance

1. Electrically connect the appliance.
→ Page 15
- ✓ The appliance begins to cool.

en operation

- ✓ A warning tone sounds and **alarm** flashes because the freezer compartment is still too warm.
- 2. Switch off the warning tone using the temperature setting button (freezer compartment).
- ✓ **alarm** goes out as soon as the set temperature has been reached.
- 3. Set the required temperature.
→ *Page 18*

7.2 Operating tips

- Once you have switched on the appliance, the set temperature is only reached after several hours. Do not put any food in the appliance until the set temperature has been reached.
- The front panels of the housing are temporarily heated slightly. This prevents condensation in the area of the door seal.
- When you close the door, a vacuum may be created. The door is then difficult to open again. Wait a moment until the vacuum is offset.
- The temperature in the appliance varies due to the following conditions:
 - How often the appliance is opened
 - Load capacity
 - Temperature of newly stored food
 - Ambient temperature
 - Direct sunlight

7.3 Switching off the appliance

- ▶ Disconnect the appliance from the power supply. Unplug the appliance from the mains or switch off the circuit breaker in the fuse box.

7.4 Setting the temperature

Setting the refrigerator compartment temperature

- ▶ Press the temperature setting button (refrigerator compartment) repeatedly until the temperature display (refrigerator compartment) shows the required temperature.
To reach the set temperature, slide the temperature controller for the storage container to a position that is one third from the bottom.
→ *Page 18*
The recommended temperature in the refrigerator compartment is 4 °C.

Setting the storage container temperature

1. To reduce the temperature, slide the temperature controller in the **extra cold** direction.
2. To increase the temperature, slide the temperature controller in the **cold** direction.

→ *Fig. 4*

Setting the freezer compartment temperature

- ▶ Press the temperature setting button (freezer compartment) repeatedly until the temperature display (freezer compartment) shows the required temperature.
The recommended temperature in the freezer compartment is -18 °C.

8 Additional functions

Find out which additional functions can be used for your appliance.

8.1 Super cooling

With Super cooling, the refrigerator compartment cools as cold as possible.

Switch on Super cooling before placing large quantities of food.

Note: When Super cooling is switched on, increased noise may occur.

Switching on Super cooling

- ▶ Press the temperature setting button (refrigerator compartment) repeatedly until **super** (Refrigerator compartment) lights up.

Note: After approx. 6 hours, the appliance switches to normal operation.

Switching off Super cooling

- ▶ Press the temperature setting button (refrigerator compartment) repeatedly until the temperature display (refrigerator compartment) shows the required temperature.

8.2 Super freezing

With Super freezing, the freezer compartment cools as cold as possible. Switch on Super freezing four to six hours before placing food weighing 2 kg or more into the freezer compartment.

In order to utilise the freezer capacity, use Super freezing.

→ "Prerequisites for freezing capacity", Page 21

Note: When Super freezing is switched on, increased noise may occur.

Switching on Super freezing

- ▶ Press the temperature setting button (freezer compartment) repeatedly until **super** (Freezer compartment) lights up.

Note: After approx. 60 hours, the appliance switches to normal operation.

Switching off Super freezing

- ▶ Press the temperature setting button (freezer compartment) repeatedly until the temperature display (freezer compartment) shows the required temperature.

8.3 Energy-saving mode

You can set the appliance to save energy with the energy-saving mode. The appliance automatically sets the temperatures.

Refrigerator com-	8 °C
partment	

Freezer compart-	-16 °C
ment	

Switching on energy-saving mode

- ▶ Press the temperature setting button repeatedly until **eco** lights up.

Switching off energy-saving mode

- ▶ Press the temperature setting button repeatedly until the temperature display shows the required temperature.

9 Alarm

9.1 Door alarm

If the appliance door is open for a while, the door alarm switches on. A warning tone sounds and **alarm** lights up.

Switching off the door alarm

- ▶ Close the appliance door.
- ✓ The warning tone is switched off.

9.2 Temperature alarm

If the freezer compartment becomes too warm, the temperature alarm is switched on.

A warning tone sounds and **alarm** flashes.

CAUTION

Risk of harm to health!

During the thawing process, bacteria may multiply and spoil the frozen food.

- ▶ Do not refreeze food after it has been defrosted or started to defrost.
- ▶ Refreeze food only after cooking.
- ▶ These items should no longer be stored for the maximum storage period.

The temperature alarm can be switched on in the following cases:

- The appliance is switched on.
Do not store any food until the appliance has reached the set temperature.
- Large quantities of fresh food are being placed inside.
Switch on Super freezing before placing large quantities of food in the appliance.
- The freezer compartment door is open for too long.
Check whether the frozen food has defrosted or thawed.

Switching off the temperature alarm

- ▶ Press the temperature setting button (freezer compartment).
- ✓ The warning tone is switched off.

10 Refrigerator compartment

You can keep meat, sausage, fish, dairy products, eggs, prepared meals and pastries in the refrigerator compartment.

The temperature can be set from 2 °C to 8 °C.

The refrigerator compartment can also be used to store highly perishable foods in the short to medium term. The lower the selected temperature, the longer the food remains fresh.

10.1 Tips for storing food in the refrigerator compartment

- Only store food when fresh and undamaged.
- Store food covered or in air-tight packaging.
- To avoid impeding the circulation of air and to prevent food from freezing, do not place food in front of the inner ventilation openings or in direct contact with the back wall.
- Allow hot food and drinks to cool down first before placing in the appliance.
- Observe the best-before date or use-by date specified by the manufacturer.

10.2 Chill zones in the refrigerator compartment

The air circulation in the refrigerator compartment creates different chill zones.

Coldest zone

The coldest zone is in the storage container.

Tip: Store highly perishable food such as fish, sausages and meat in the coldest zone.

Warmest zone

The warmest zone is at the very top of the door.

Tip: Store food that does not spoil easily in the warmest zone, e.g. hard cheese and butter. Cheese can then continue to release its aroma and the butter will still be easy to spread.

11 Freezer compartment

You can store frozen food, freeze food and make ice cubes in the freezer compartment.

The temperature can be set from $-16\text{ }^{\circ}\text{C}$ to $-24\text{ }^{\circ}\text{C}$.

Long-term storage of food should be at $-18\text{ }^{\circ}\text{C}$ or lower.

The freezer compartment can be used to store perishable food long-term. The low temperatures slow down or stop the spoilage.

11.1 Freezing capacity

The freezing capacity indicates the quantity of food that can be frozen right through to the centre within a specific period of time.

Information on freezing capacity can be found on the rating plate.

→ Fig. **1** / **5**

Prerequisites for freezing capacity

1. Approx. 24 hours before placing fresh food in the appliance, switch on Super freezing.
→ "Switching on Super freezing", Page 19
2. Place food in the bottom frozen food container first.

11.2 Fully utilising the freezer compartment volume

Learn how to store the maximum amount of frozen food in the freezer compartment.

1. Remove all fittings from the freezer compartment. → Page 23
2. Store food directly on the shelves and on the floor of the freezer compartment.

11.3 Tips for storing food in the freezer compartment

- Store food in air-tight packaging.
- Do not bring food which is to be frozen into contact with frozen food.
- Place the food over the whole area of the frozen food containers.
- To ensure that the air can circulate freely in the appliance, push the frozen food containers in as far as they will go.

11.4 Tips for freezing fresh food

- Freeze fresh and undamaged food only.
- Freeze food in portions.
- Cooked food is more suitable than food that can be eaten raw.
- Vegetables: Wash, chop up and blanch before freezing.
- Fruit: Wash, pit and perhaps peel, possibly add sugar or ascorbic acid solution.
- Food that is suitable for freezing includes baked items, fish and seafood, meat, game, poultry, eggs without shells, cheese, butter and quark, ready meals and leftovers.

en Defrosting

- Food that is unsuitable for freezing includes lettuce, radishes, eggs in shells, grapes, raw apples and pears, yoghurt, sour cream, crème fraîche and mayonnaise.

Packing frozen food

If you select suitable packaging material and the correct type of packaging, you can determine the product quality and prevent freezer burn.

1. Place the food in the packaging.
2. Squeeze out the air.
3. Pack food airtight to prevent it from losing flavour and drying out.
4. Label the packaging with the contents and the date of freezing.

11.5 Shelf life of frozen food at -18 °C

Food	Storage time
Fish, sausages, prepared meals and baked goods	up to 6 months
Poultry, meat	up to 8 months
Vegetables, fruit	up to 12 months

The imprinted freezer calendar indicates the maximum storage duration in months at a constant temperature of -18 °C.

11.6 Defrosting methods for frozen food

CAUTION

Risk of harm to health!

During the thawing process, bacteria may multiply and spoil the frozen food.

- ▶ Do not refreeze food after it has been defrosted or started to defrost.
- ▶ Refreeze food only after cooking.

- ▶ These items should no longer be stored for the maximum storage period.
- Defrost animal-based food, such as fish, meat, cheese, quark, in the refrigerator compartment.
- Defrost bread at room temperature.
- Prepare food for immediate consumption in the microwave, in the oven or on the hob.

12 Defrosting

12.1 Defrosting in the refrigerator compartment

The refrigerator compartment in your appliance defrosts automatically.

12.2 Defrosting in the freezer compartment

The fully automatic NoFrost system ensures that the freezer compartment remains frost-free. Defrosting is not required.

13 Cleaning and servicing

To keep your appliance working efficiently for a long time, it is important to clean and maintain it carefully. Customer Service must clean inaccessible points. Cleaning by customer service can give rise to costs.

13.1 Preparing the appliance for cleaning

1. Disconnect the appliance from the power supply.

Unplug the appliance from the mains or switch off the circuit breaker in the fuse box.

2. Take out all of the food and store it in a cool place.

Place ice packs (if available) onto the food.

3. Remove all fittings and accessories from the appliance.

→ Page 23

13.2 Cleaning the appliance

WARNING

Risk of electric shock!

An ingress of moisture can cause an electric shock.

- ▶ Do not use steam- or high-pressure cleaners to clean the appliance.

Liquid in the lighting, controls or inner ventilation openings can be dangerous.

- ▶ The rinsing water must not drip into the lighting, controls or inner ventilation openings.

ATTENTION!

Unsuitable cleaning products may damage the surfaces of the appliance.

- ▶ Do not use hard scouring pads or cleaning sponges.
- ▶ Do not use harsh or abrasive detergents.
- ▶ Do not use cleaning products with a high alcohol content.

If you clean fittings and accessories in the dishwasher, this may cause them to become deformed or discoloured.

- ▶ Never clean fittings and accessory in the dishwasher.

1. Prepare the appliance for cleaning.
→ Page 22

2. Clean the appliance, the fittings, the accessories and the door seals with a dish cloth, lukewarm water and a little pH-neutral washing-up liquid.
3. Dry thoroughly with a soft, dry cloth.
4. Insert the fittings.
5. Electrically connect the appliance.
→ Page 15
6. Putting the food into the appliance.

13.3 Removing the fittings

If you want to clean the fittings thoroughly, remove these from your appliance.

Removing the shelf

- ▶ Pull out, lift and remove the shelf.
→ Fig. **5**

Removing door rack

- ▶ Lift the door rack and remove it.
→ Fig. **6**

Removing the storage container

1. Pull out the storage container as far as it will go.
2. Lift the storage container at the front ① and remove it ②.
→ Fig. **7**

Removing the fruit and vegetable container

1. Pull out the fruit and vegetable container as far as it will go.
2. Lift the fruit and vegetable container at the front ① and remove it ②.
→ Fig. **8**

Removing the frozen food container

1. Take out the frozen food container as far as it will go.

en Cleaning and servicing

2. Lift the frozen food container at the front ① and remove it ②.

→ Fig. **9**

Removing the front of the container

You can remove the front of the fruit and vegetable container to facilitate cleaning.

- ▶ Press in the snap-in hooks on the side of the container ① and remove the front from the container in a turning motion ②.

→ Fig. **10**

14 Troubleshooting

You can rectify minor faults on your appliance yourself. Read the troubleshooting information before contacting after-sales service. This will avoid unnecessary costs.



WARNING

Risk of electric shock!

Improper repairs are dangerous.

- ▶ Repairs to the appliance should only be carried out by trained specialist staff.
- ▶ Only use genuine spare parts when repairing the appliance.
- ▶ If the power cord of this appliance is damaged, it must be replaced by the manufacturer, the manufacturer's Customer Service or a similarly qualified person in order to prevent any risk.

Fault	Cause and troubleshooting
The appliance is not cooling, the displays and lighting are lit.	Showroom mode is switched on. ▶ Press and hold the temperature setting button (refrigerator compartment) for 9 to 11 seconds until an audible signal sounds.
The LED lighting does not work.	Different causes are possible. ▶ Call customer service. The customer service number can be found in the enclosed customer service directory.
Side panels of the appliance are warm.	Not a fault. The side panels contain pipes which heat up during the cooling process. Units touching the appliance will not be damaged by the heat. No action required.
A warning signal sounds and alarm flashes.	Different causes are possible. ▶ Press the temperature setting button (freezer compartment). ✓ The alarm is switched off. The appliance door is open. ▶ Close the appliance door. External ventilation openings are covered up. ▶ Remove any obstructions from in front of the external ventilation openings. Larger quantities of fresh food have been put in. ▶ Do not exceed the max. freezing capacity. → "Freezing capacity", Page 21

Fault	Cause and troubleshooting
<p>The set temperature is not reached.</p> <p>Fully automatic defrosting no longer works.</p>	<p>The freezer compartment door was open for a long time. The evaporator (refrigeration unit) in the noFrost system is heavily iced up.</p> <p>Requirement: Store the frozen food well insulated in a cool place.</p> <ol style="list-style-type: none"> 1. Switch off the appliance. → <i>Page 18</i> 2. Disconnect the appliance from the mains. Unplug the appliance from the mains or switch off the circuit breaker in the fuse box. 3. Move the appliance away from the wall. 4. Leave the appliance door open. <p>✓ After approx. 20 minutes, the condensation starts to run into the evaporation pan at the rear of the appliance. → <i>Fig. 11</i></p> <ol style="list-style-type: none"> 5. To prevent the evaporation pan from overflowing, mop up the condensation water with a sponge. The evaporator is defrosted if no more condensation water runs into the evaporation pan. 6. Clean the interior of the appliance. → <i>Page 23</i> 7. Switch the appliance back on. → <i>Page 17</i>
<p>The temperature differs greatly from the setting.</p>	<p>Different causes are possible.</p> <ol style="list-style-type: none"> 1. Switch off the appliance. → <i>Page 18</i> 2. Switch the appliance back on after five minutes. → <i>Page 17</i> <ul style="list-style-type: none"> – If the temperature is too warm, check the temperature again after a couple of hours. – If the temperature is too cold, check the temperature again on the following day.
<p>Condensation accumulates on the surface of the appliance and on the shelves inside.</p>	<p>The water contained in warm and humid air condenses on the colder surfaces of the appliance.</p> <ol style="list-style-type: none"> 1. Wipe away the water with a soft, dry cloth. 2. Open the appliance as briefly as possible. 3. Ensure that the appliance is always closed properly.
<p>The appliance hums, bubbles, buzzes, gargles, clicks or crackles.</p>	<p>Not a fault. A motor is running, e.g. refrigerating unit, fan. Refrigerant flows through the pipes. The motor, switches or solenoid valves are switching on or off. Automatic defrosting is running. No action required.</p>

Fault	Cause and troubleshooting
The appliance makes noises.	The appliance is not level. <ul style="list-style-type: none">▶ Align the appliance using a spirit level and the screw feet.
	The appliance is not free-standing. <ul style="list-style-type: none">▶ Observe the minimum clearances for the appliance.
	Fittings wobble or stick. <ul style="list-style-type: none">▶ Check the removable fittings and, if required, replace these.
	Bottles or containers are touching. <ul style="list-style-type: none">▶ Move the bottles or containers away from each other.
	Super freezing is switched on. No action required.

14.1 Power failure

During a power failure, the temperature in the appliance rises; this reduces the storage time and the quality of the frozen food.

On the website for your appliance, the technical data provides you with the storage times for frozen food in the event of a fault.

Notes

- Open the appliance as little as possible during a power failure and do not place any other food in the appliance.
- Check the quality of the food immediately after a power failure.
 - Dispose of any frozen food that has defrosted and is hotter than 5 °C.
 - Cook or fry slightly thawed frozen food, and then either consume it or freeze it again.

15 Storage and disposal

15.1 Taking the appliance out of operation

1. Disconnect the appliance from the power supply.

Unplug the appliance from the mains or switch off the circuit breaker in the fuse box.

2. Remove all of the food.
3. Clean the appliance. → *Page 23*
4. To guarantee the ventilation inside the appliance, leave the appliance open.

15.2 Disposing of old appliance

Valuable raw materials can be re-used by recycling.

WARNING **Risk of harm to health!**

Children can lock themselves in the appliance, thereby putting their lives at risk.

- ▶ Leave shelves and containers inside the appliance to prevent children from climbing in.
- ▶ Keep children away from the redundant appliance.

WARNING **Risk of fire!**

If the tubes are damaged, flammable refrigerant and harmful gases may escape and ignite.

- ▶ Do not damage the tubes of the refrigerant circuit or the insulation.

1. Unplug the appliance from the mains.
2. Cut through the power cord.
3. Dispose of the appliance in an environmentally friendly manner.

Information about current disposal methods are available from your specialist dealer or local authority.



This appliance is labelled in accordance with European Directive 2012/19/EU concerning used electrical and electronic appliances (waste electrical and electronic equipment - WEEE). The guideline determines the framework for the return and recycling of used appliances as applicable throughout the EU.

16 Customer Service

Detailed information on the warranty period and terms of warranty in your country is available from our after-sales service, your retailer or on our website.

If you contact Customer Service, you will require the product number (E-Nr.) and the production number (FD) of your appliance.

The contact details for Customer Service can be found in the enclosed Customer Service directory or on our website.

16.1 Product number (E-Nr.) and production number (FD)

You can find the product number (E-Nr.) and the production number (FD) on the appliance's rating plate.

→ Fig. **1** / **5**

Make a note of your appliance's details and the Customer Service telephone number to find them again quickly.

17 Technical data

Refrigerant, cubic capacity and further technical specifications can be found on the rating plate.

→ Fig. **1** / **5**



لمزيد من المعلومات ، يرجى الرجوع إلى دليل المستخدم الرقمي.

فهرس المحتويات

42	6.5	رف الباب	32	1	الأمان
42	6.6	الملحقات	32	1.1	إرشادات عامة
42	7	الاستعمال الأساسي	32	1.2	الاستعمال المطابق للتعليمات
42	7.1	تشغيل الجهاز	32	1.3	تقييد دائرة المستخدمين
43	7.2	إرشادات حول التشغيل	32	1.4	النقل الآمن
43	7.3	إيقاف الجهاز	33	1.5	التركيب الآمن
43	7.4	ضبط درجة الحرارة	34	1.6	الاستخدام الآمن
43	8	الوظائف الإضافية	36	1.7	الجهاز المتضرر
43	8.1	التبريد الفائق	38	2	تجنب الأضرار المادية
44	8.2	التجميد الفائق	38	3	حماية البيئة والتوفير
44	8.3	وضع توفير الطاقة	38	3.1	التخلص من مواد التغليف
44	9	الإنذار	38	3.2	توفير الطاقة
44	9.1	إنذار الباب	39	4	التنصيب والتوصيل
45	9.2	إنذار درجة الحرارة	39	4.1	محتويات عبوة المنتج
45	10	قسم التبريد	39	4.2	معايير مكان النصب
45	10.1	نصائح لتخزين الأطعمة في قسم التبريد	40	4.3	تركيب الجهاز
45	10.2	النطاقات الباردة في قسم التبريد	40	4.4	تحضير الجهاز للاستخدام لأول مرة
45	11	صندوق التجميد	40	4.5	توصيل الجهاز كهربائياً
46	11.1	قدرة التجميد	40	5	التعرف
46	11.2	استغلال سعة صندوق التجميد بالكامل	40	5.1	الجهاز
46	11.3	نصائح لتخزين الأطعمة في صندوق التجميد	40	5.2	نطاق الاستعمال
46	11.4	نصائح حول تجميد الأطعمة الطازجة	41	6	التجهيزات
46			41	6.1	الرف
46			41	6.2	حاوية التخزين
46			41	6.3	درج الفاكهة والخضروات مع منظّم الرطوبة
46			41	6.4	مقسم الأواني

11.5	صلاحية الأطعمة المجمدة
47	في درجة حرارة -18 °م.....
11.6	طرق إذابة التجمد عن
47	الأطعمة المجمدة.....
12	إذابة التجمد
12.1	إذابة التجمد في قسم
48	التبريد.....
12.2	إذابة التجمد في صندوق
48	التجميد.....
13	التنظيف والعناية
13.1	تحضير الجهاز للتنظيف.....
48	تنظيف الجهاز.....
13.3	إخراج أجزاء التجهيزات.....
14	التغلب على الاختلالات
14.1	انقطاع التيار الكهربائي.....
15	التخزين والتخلص
15.1	إخراج الجهاز من الخدمة.....
15.2	التخلص من الجهاز القديم.....
16	خدمة العملاء
16.1	رقم المنتج (E-Nr.) ورقم
54	الصنع (FD).....
17	البيانات التقنية

1 الأمان

احرص على مراعاة إرشادات الأمان التالية.

1.1 إرشادات عامة

- اقرأ هذا الدليل بعناية.
- احتفظ بالدليل وبمعلومات المنتج لغرض الاستخدام اللاحق أو لتسليمها إلى المالك التالي.
- لا توصل الجهاز بالكهرباء في حالة وجود أضرار ناتجة عن عملية النقل.

1.2 الاستعمال المطابق للتعليمات

- لا تستخدم الجهاز إلا:
- لتبريد المواد الغذائية وتجميدها، وتحضير الثلج.
- في المنزل الخاص وفي الأماكن المغلقة من المحيط المنزلي.
- حتى ارتفاع يبلغ 2000 م فوق سطح البحر.

1.3 تقييد دائرة المستخدمين

يمكن للأطفال بدءاً من عُمر 8 سنوات فما فوق، وكذلك للأشخاص الذين يعانون نقصاً في القدرات الجُسمانية أو الحسية أو العقلية، أو يعانون نقصاً في الإدراك أو المعرفة أو كليهما، استخدام هذا الجهاز، إذا تم ذلك تحت إشرافٍ وبعد اطلاعهم على كيفية التشغيل الآمن للجهاز، وإدراك المخاطر الناتجة.

لا يجوز للأطفال العبث بالجهاز.

لا يجوز للأطفال تنظيف الجهاز أو إجراء أعمال الصيانة المنوطة بالمستخدم إلا إذا تمت مراقبتهم أثناء ذلك.

1.4 النقل الآمن

- ⚠ **تحذير - خطر الإصابة!**
- قد يؤدي الوزن المرتفع للجهاز إلى إصاباتٍ عند رفعه.
- ◀ لا ترفع الجهاز بمفردك.

1.5 التركيب الآمن

⚠ تحذير - خطر الصعق الكهربائي!

- ▶ تنطوي أعمال التركيب غير السليمة فنيًا على أخطار.
- ▶ لا توصل الجهاز وتشغل إلا وفقًا للقيم الموضحة على لوحة الصنع.
- ▶ لا توصل الجهاز إلا بمقبس مرگب بطريقة سليمة ومزود بوصلة تأريض على أن تكون شبكة الكهرباء ذات تيار متردد.
- ▶ يجب أن يكون نظام أسلاك الحماية الأرضية الخاص بتركيبات المنزل الكهربائية مركبًا وفقًا للوائح المعنية.
- ▶ لا تزود الجهاز أبدًا عبر تجهيزة تشغيل خارجية، من قبيل ميقاتي أو جهاز تحكم عن بعد.
- ▶ إذا كان الجهاز مرگبًا وجب أن يكون قابس الكهرباء لكابل التوصيل بالشبكة حر الحركة، أو إذا تعدّر تسهيل الوصول إليه، يجب في حالة التثبيت الكهربائي الدائم تركيب تجهيزة فصل طبقًا لتشريعات البناء.
- ▶ عند نصب الجهاز احرص على مراعاة ألا يكون كابل الكهرباء محشورًا أو متضررًا.
- ▶ أي عزل متضرر لكابل الكهرباء سوف يشكّل خطرًا.
- ▶ لا تقم مطلقًا بوضع وصلة الشبكة في وضع تلامس مع مصادر حرارية.

⚠ تحذير - خطر الانفجار!

- ▶ إذا كانت فتحات تهوية الجهاز مغلقة، فيمكن في حالة حدوث تسرب بدورة التبريد أن ينشأ خليط غاز وهواء قابل للاشتعال.
- ▶ لا تقم بغلق فتحات التهوية في جسم الجهاز أو في صندوق التركيب.

⚠ تحذير - خطر نشوب حريق!

- ▶ هناك خطورة عند استخدام كابل كهرباء مطول ومهايئ غير معتمد.
- ▶ لا تستخدم كابل إطالة أو مقبسًا متعددًا.
- ▶ لا تستخدم إلا المهايئات وكابلات الكهرباء المصّرّح بها من الجهة المُنْتِجة.
- ▶ إذا كان كابل الكهرباء أقصر من اللازم ولا يتوفّر كابل كهرباء أطول، فأتصل بشركة متخصصة في التوصيلات الكهربائية كي تُعدّل التركيبات المنزلية.

المقابس المتعددة المتنقلة أو أجزاء الشبكة يمكن أن تسخن للغاية وتسبب حريقًا.
◀ لا تضع المقابس المتعددة المتنقلة أو أجزاء الشبكة على الجهة الخلفية للجهاز.

1.6 الاستخدام الآمن

⚠ تحذير - خطر الصعق الكهربائي!

الرطوبة التي تتوغل في الجهاز قد تسبب صدمة كهربائية.
◀ لا تستخدم الجهاز إلا في أماكن مغلقة.
◀ لا تعرّض الجهاز أبدًا للحرارة والرطوبة الشديديتين.
◀ لا تستخدم أجهزة تنظيف بالضغط العالي أو أجهزة تنظيف البخار، كي تنظف الجهاز.

⚠ تحذير - خطر الاختناق!

يمكن أن يلف الأطفال مواد التغليف فوق رؤوسهم أو ينحسروا بداخلها ويختنقوا.
◀ أبعد مواد التغليف عن تناول الأطفال.
◀ لا تدع الأطفال يلعبون بمواد التغليف للجهاز.
يمكن أن يستنشق الأطفال الأجزاء الصغيرة أو يبتلعوها ومن ثم يختنقون.
◀ أبعد الأجزاء الصغيرة عن تناول الأطفال.
◀ لا تدع الأطفال يلعبون بالأجزاء الصغيرة.

⚠ تحذير - خطر الانفجار!

عند تعرض دروة التبريد للضرر يمكن أن تتسرب مادة التبريد القابلة للاشتعال وتنفجر.
◀ لغرض تعجيل عملية إذابة التجمد لا تستخدم أية تجهيزات ميكانيكية أخرى أو أية وسائل أخرى غير تلك الموصى بها من قبل الجهة الصانعة.
◀ قم بفك الأطعمة المجمدة بأداة غير حادة، مثل مقبض ملعقة خشبية.
المنتجات المحتوية على غازات نقّاة قابلة للاشتعال والمواد المتفجرة يمكن أن تنفجر، مثلًا علب الرش.
◀ تجنب تخزين المنتجات المحتوية على غازات نقّاة قابلة للاشتعال أو مواد متفجرة في الجهاز.

⚠ تحذير - خطر نشوب حريق!

أية أجهزة كهربائية يتم وضعها داخل الجهاز يمكن أن تسبب حريقًا، مثل السخانات أو أجهزة إعداد الثلج الكهربائية.
 ◀ لا تقم بتشغيل أية أجهزة كهربائية داخل الجهاز.

⚠ تحذير - خطر الإصابة!

يمكن أن تنفجر الحاويات المحتوية على مشروبات غازية.
 ◀ يحظر تخزين الحاويات المحتوية على مشروبات غازية في صندوق التجميد.
 إصابة العينين من جراء تسرب مادة التبريد القابلة للاشتعال والغازات الضارة.
 ◀ احرص على عدم إلحاق أضرار بأنابيب دورة التبريد أو العازل. الجهاز يمكن أن ينقلب.
 ◀ لا تضغط بقدمك على القاعدة أو الأرفف أو الأبواب، ولا تستند عليها.

⚠ تحذير - خطر الإصابة بحروق!

عند تشغيل الجهاز تصبح أجزاؤه الخلفية ساخنة.
 ◀ لا تلمس أبدا الأجزاء الساخنة.

⚠ تحذير - خطر الإصابة بلسعات برد!

يمكن أن تؤدي ملامس الأطعمة المجمدة والأسطح الباردة إلى الإصابة باكتواءات بسبب البرودة.
 ◀ لا تتناول المواد المجمدة في فمك، فور إخراجها من صندوق التجميد.
 ◀ تجنب ملامسة الجلد لفترة طويلة للمواد المجمدة أو الثلج أو الأسطح الموجودة في صندوق التجميد.

⚠ احترس - خطر حدوث أضرار صحية!

لتجنب تلوث الأطعمة يجب مراعاة التعليمات التالية.
 ◀ في حالة فتح الباب لفترة طويلة نسبياً، يمكن أن ترتفع درجة الحرارة بشكل بالغ في أقسام الجهاز.
 ◀ قم بصفة دورية بتنظيف الأسطح التي تلامس الأطعمة وأنظمة التصريف التي يمكن الوصول إليها.
 ◀ احفظ الأسماك واللحوم النيئة في أوعية مناسبة في الثلجة بحيث لا تلامس الأطعمة الأخرى أو تتقاطر عليها.

- ◀ في حالة ترك جهاز التبريد/التجميد فارغًا لفترة طويلة نسبيًا، أو وقف الجهاز وقم بإذابة التجمد به وتنظيفه، واطرك الباب مفتوحًا، لتجنب حدوث تعفن.
- الأجزاء الموجودة في الجهاز والمصنوعة من المعدن أو تتميز بمظهر المعدن، قد تحتوي على الألومنيوم. إذا تلامست الأطعمة الحمضية مع الألومنيوم الموجود في الجهاز، فقد تنتقل أيونات الألومنيوم إلى الطعام.
- ◀ لا تتناول الأطعمة الملوثة.

1.7 الجهاز المتضرر

⚠ تحذير - خطر الصعق الكهربائي!

- أي جهاز متضرر أو كابل كهرباء تالف سوف يشكّل خطرًا.
- ◀ لا تشغّل أبدًا جهازًا متضررًا.
- ◀ لا تشد كابل الكهرباء المتصل بالشبكة كي تفصل الجهاز عن شبكة الكهرباء أبدًا. انزع القابس الكهربائي من كابل الكهرباء دائمًا.
- ◀ إذا كان الجهاز متضررًا أو كابل التوصيل بالشبكة تالفًا، فاسحب على الفور القابس الكهربائي لكابل التيار أو افصل المصهر الموجود في صندوق المصاهر.
- ◀ اتصل بخدمة العملاء. ← صفحة 54
- تنطوي أعمال الإصلاح غير السليمة فنيًا على أخطار.
- ◀ وحدهم أفراد الطاقم الفني المدربون من أجل ذلك يُسمح لهم بإجراء إصلاحات على الجهاز.
- ◀ لا يُسمح إلا باستخدام قطع الغيار الأصلية لإصلاح الجهاز.
- ◀ إذا كان كابل الكهرباء لهذا الجهاز متضررًا، يجب تغييره من قبل الجهة الصانعة أو مركز خدمة العملاء التابع لها أو من قبل فني مؤهل بشكل مماثل، وذلك لتجنب المخاطر.

⚠ تحذير - خطر نشوب حريق!



- في حالة حدوث ضرر بالمواسير يمكن أن تتسرب مادة التبريد القابلة للاشتعال وتتسرب منها غازات ضارة وتشتعل.
- ◀ أبعد على الفور أي نار أو مصادر لهب عن الجهاز.
- ◀ قم بتهوية المكان.
- ◀ قم بإيقاف الجهاز. ← صفحة 43

- ◀ اسحب القابس الكهربائيّ لكابل التيار أو افصل المصهر الموجود في صندوق المصاهر.
- ◀ الاتصال بخدمة العملاء. ←صفحة 54

3 حماية البيئة والتوفير

3.1 التخلص من مواد التغليف

- كافة مواد التغليف خامات غير ضارة بالبيئة ويمكن إعادة استغلالها.
- ◀ تخلص من المكونات المفردة بشكل منفصل حسب نوعها.

3.2 توفير الطاقة

- عندما تتبع هذه الإرشادات، يستهلك جهازك كمية أقل من الطاقة.

اختيار مكان النصب

- احرص على حماية الجهاز من أشعة الشمس المباشرة.
- اجعل مكان نصب الجهاز أبعد ما يمكن عن عناصر التسخين أو الموقد أو مصادر الحرارة الأخرى:
- حافظ على وجود مسافة 30 مم نحو المواقد الكهربائية أو الغازية.
- حافظ على مسافة 300 مم نحو المواقد العاملة بالنفط أو الفحم.
- التزم بمسافة صغيرة من جانب الجدار.
- لا تقم أبدًا بتغطية فتحات التهوية الخارجية أو غلقها.

توفير الطاقة عند الاستخدام

- ملاحظة:** ترتيب أجزاء التجهيزات لا يؤثر على استهلاك الطاقة للجهاز.
- لا تفتح الجهاز إلا لفترة قصيرة وأغلقه بعناية.
- لا تقم أبدًا بتغطية فتحات التهوية الداخلية أو فتحات التهوية الخارجية أو غلقها.
- احرص على نقل الأطعمة التي تشتريها في حقيبة حفظ البرودة ثم وضعها سريعًا في الجهاز.

2 تجنب الأضرار المادية

تنبيه!

- قد ينتج عن إمالة عجلات الجهاز إتلاف الأرضية عند نقل الجهاز.
- ◀ انقل الجهاز باستخدام عربة نقل.
- ◀ احرص على استخدام واقي للأرضية عند نقل الجهاز ولا تتحرك بطريقة متعرجة.

- يمكن أن يتعرض الجهاز للضرر من جراء استخدام القاعدة أو الأرفف أو الأبواب كسطح جلوس أو سطح صعود.
- ◀ لا تضغط بقدمك على الجهاز أو القاعدة أو الأرفف أو الأبواب، ولا تستند عليها.

- من خلال اتساقات الزيوت أو الدهون يمكن أن تصعب الأجزاء البلاستيكية وعناصر إحكام الباب مسامية.
- ◀ حافظ على الأجزاء البلاستيكية وعناصر إحكام الباب نظيفة من الزيوت والدهون.

- الأجزاء الموجودة في الجهاز والمصنوعة من المعدن أو تتميز بمظهر المعدن، قد تحتوي على الألومنيوم. حيث يتفاعل الألومنيوم عندما يتصل بالأطعمة الحمضية.
- ◀ لا تقم بتخزين أي طعام في الجهاز دون تغليف.

- عندما تقوم بتنظيف أجزاء التجهيزات والملحقات في غسالة الأواني، فإنها يمكن أن تتشوه أو يتغير لونها.
- ◀ لا تقم أبدًا بتنظيف أجزاء التجهيزات والملحقات في غسالة الأواني.

4.2 معاير مكان النصب

⚠ تحذير

خطر الانفجار!

إذا كان الجهاز موجودًا في مكان صغير للغاية، فيمكن في حالة حدوث تسرب بدورة التبريد أن ينشأ خليط غاز وهواء قابل للاشتعال.

◀ لا تقم بنصب الجهاز إلا في مكان بمتوسط مساحة لا يقل عن 1 م³ لكل 8 جم من مادة التبريد. كمية مادة التبريد مدونة على لوحة

الصنع. -الشكل 1/5

قد يصل وزن الجهاز تبعًا للطراز من قبل المصنع حتى 90 كجم. لتحمل وزن الجهاز يجب أن تكون الأرضية مستقرة بدرجة كافية.

درجة الحرارة المحيطة المسموح بها

يرتبط تحديد درجة الحرارة المحيطة المسموح بها بفتة المناخ الخاصة بالجهاز.

ستجد البيانات الخاصة بفتة المناخ على لوحة الصنع. -الشكل 1/5

فتة المناخ	درجة الحرارة المحيطة المسموح بها	
SN	10 °م...32 °م	
N	16 °م...32 °م	
ST	16 °م...38 °م	
T	16 °م...43 °م	

يكون الجهاز قادرًا على العمل بكامل طاقته في نطاق درجة الحرارة المحيطة المسموح بها.

- اترك المواد الغذائية والمشروبات الساخنة تبرد قبل وضعها في الثلجة.
- للانتفاع ببرودة المواد المجمدة ضع المواد المجمدة المراد إذابة تجمدها في قسم التبريد.
- اترك مسافة دائمًا بين الأطعمة والجدار الخلفي للجهاز.

4 التنصيب والتوصيل

4.1 محتويات عبوة المنتج

بعد إخراج كافة الأجزاء من عبوة التغليف، تأكد من خلوها من أية أضرار ناجمة عن النقل واكتمال مجموعة التوريدات.

في حالات الشكاوى توجّه إلى تاجرِك أو إلى مركز خدمة العملاء -صفحة 54 التابع لنا.

تتكون مجموعة التجهيزات الموردة من:

- جهاز مستقل
- التجهيزات والملحقات¹
- مواد التركيب
- دليل التركيب
- دليل الاستعمال
- سجل خدمة العملاء
- ملحق الضمان²
- ملصق الطاقة
- معلومات حول استهلاك الطاقة والوضوءاء

¹ حسب تجهيز الجهاز

² ليست في كل البلدان

5 التعرّف

5.1 الجهاز

تجد هنا نظرة عامة على مكوّنات جهازك.

← الشكل 1

A	درج التبريد ←صفحة 45
B	المجمّد ←صفحة 46
1	نطاق الاستعمال ←صفحة 40
2	الإضاءة
3	فتحة التهوية الداخلية
4	منظم درجة الحرارة (وعاء التخزين) ←صفحة 43
5	لوحة الصنع ←صفحة 54
6	حاوية التخزين ←صفحة 41
7	درج الفاكهة والخضروات مع منظم الرطوبة ←صفحة 41
8	حاوية المجمدات ←صفحة 49
9	قدم ذات مسامير حلزونية
10	رف الباب للزجاجات الكبيرة ←صفحة 42

ملاحظة: يمكن أن تكون هناك اختلافات بين جهازك والصور فيما يتعلق بالتجهيز والحجم.

5.2 نطاق الاستعمال

اضبط كل وظائف جهازك واحصل على معلومات حول حالة التشغيل عبر لوحة الاستعمال.

← الشكل 2

1 alarm يضيء عندما يكون الإنذار مشغلاً.

إذا قمت بتشغيل جهاز من فئة المناخ SN في درجة حرارة محيطية أكثر برودة، فيمكن استبعاد حدوث أضرار بالجهاز حتى درجة حرارة محيطية 5 °م.

التنصيب الفوقي والتحتي والمتجاور

إذا أردت تنصيب جهازي تبريد فوق بعضهما البعض أو بجوار بعضهما البعض، فيجب الحفاظ على مسافة فاصلة بينهما لا تقل عن 150 مم. مع بعض الأجهزة المختارة يمكن إجراء عملية التنصيب دون الالتزام بالحد الأدنى للمسافة. يُرجى الاستفسار عن ذلك من خلال الوكيل المتخصص لديك أو مصمم المطبخ.

4.3 تركيب الجهاز

◀ قم بتركيب الجهاز طبقاً لما ورد بدليل التركيب المرفق.

4.4 تحضير الجهاز للاستخدام لأول مرة

1. أخرج مواد المعلومات.
2. قم بإزالة رقائق الحماية ووسائل تأمين النقل، مثلاً الأشرطة اللاصقة والكارتون.
3. قم بتنظيف الجهاز لأول مرة. ←صفحة 48

4.5 توصيل الجهاز كهربائياً

1. أدخل مقبس الشبكة لكابل التوصيل بالكهرباء للجهاز في مقبس قريب من الجهاز.
توجد بيانات توصيل الجهاز على لوحة الصنع. ←الشكل 1/5
2. افحص مقبس الشبكة للتأكد من ثباته.
✓ وعندئذ يكون الجهاز جاهزاً للتشغيل.

6.2 حاوية التخزين

يسود في وعاء التخزين درجات حرارة أقل من درجة الحرارة في درج التبريد. وقد تصل إلى درجات أقل من 0° م من حين لآخر. للوصول بدرجات الحرارة إلى ما يقارب 0° م في حاوية التخزين، اضبط درجة حرارة صندوق التبريد على 2° م.

←صفحة 43

استخدم درجات الحرارة المنخفضة في حاوية التخزين، لتخزين الأطعمة القابلة للتلف بسهولة مثل السمك واللحم والسجق.

6.3 درج الفاكهة والخضروات مع منظم الرطوبة

قم بتخزين الفاكهة والخضروات الطازجة بدون تغليف في درج الفاكهة والخضروات. عند حفظ الفاكهة والخضروات المقطعة، قم بتغطيتها أو تغليفها بشكل محكم ضد تسريب الهواء. بواسطة منظم الرطوبة يمكنك مواءمة درجة رطوبة الهواء في درج الفاكهة والخضروات. وبذلك يمكنك حفظ الفاكهة والخضروات الطازجة لمدة أطول من مدة الحفظ التقليدية.

← الشكل 3

اضبط درجة رطوبة الهواء في درج الفاكهة والخضروات وفقاً لنوع وكمية الأطعمة المطلوب تخزينها من خلال تحريك منظم الرطوبة، كما يلي:

- درجة رطوبة هواء منخفضة ☹ عندما تكون غالبية الأطعمة المخزنة من الفاكهة أو التعبئة المختلطة أو التخميل المرتفع.
- درجة رطوبة هواء عالية ☺ عندما تكون غالبية الأطعمة المخزنة من الخضروات وكذلك في حالة التعبئة المختلطة أو التخميل القليل.

2 يقوم زر ضبط درجة الحرارة (حيز التبريد) بضبط درجة حرارة حيز التبريد.

3 super (درج التبريد) يضيء عندما يكون التبريد الفائق مشغلاً.

4 يظهر درجة الحرارة المضبوطة لقسم التبريد بوحدة ° م.

5 eco (درج التبريد) يضيء عندما يكون نمط توفير الطاقة في قسم التبريد مشغلاً.

6 يقوم زر درجة الحرارة (حيز التجميد) بضبط درجة حرارة حيز التجميد.

7 super (درج التجميد) يضيء عندما يكون التجميد الفائق مشغلاً.

8 يظهر درجة الحرارة المضبوطة للمجمد بوحدة ° م.

9 eco (درج التجميد) يضيء عندما يكون نمط توفير الطاقة في المجمد مشغلاً.

6 التجهيزات

ويرتبط تجهيز جهازك بالطراز المعني.

6.1 الرف

لتوفير نظرة عامة أفضل ولإخراج الطعام بشكل أسرع، اسحب الرف للخارج. لتغيير مواضع الأرفف حسب الحاجة، أخرج الرف وأعد تركيبه في موضع آخر. ← "إخراج الرف"، صفحة 49

6.5 رف الباب

لتغيير موضع رف الباب حسب الحاجة،
أخرج رف الباب وأعد تركيبه في موضع
آخر.

← "إخراج رف الباب"، صفحة 49

6.6 الملحقات

استخدم الملحقات الأصلية. فهي
مصممة لتناسب مع جهازك.
توقف ملحقات جهازك على الطراز.

رف البيض

قم بتخزين البيض بشكل آمن على رف
البيض.

طبق مكعبات الثلج

استخدم طبق مكعبات الثلج، لعمل
مكعبات الثلج.

عمل مكعبات الثلج

لا تستخدم سوى ماء الشرب لصنع
مكعبات الثلج.

1. املاً طبق مكعبات الثلج حتى ثلاثة
أرباعه بماء صالح للشرب ثم ضعه في
حيز التجميد.

لا تقم بفك طبق مكعبات الثلج
المجمد إلا بأداة غير حادة، مثل
مقبض معلقة.

2. لفك مكعبات الثلج، ضع طبق
مكعبات الثلج تحت الماء لمدة
قصيرة، أو قم ببله قليلاً.

وفقًا للكمية المخزنة ونوع المواد
المخزنة يمكن أن يتكون ماء متكثف
في درج الفاكهة والخضروات.
قم بإزالة الماء المتكثف بواسطة
منديل جاف واضبط درجة رطوبة هواء
منخفضة عن طريق منظم درجة
الرطوبة.

لكي يتسنى الحفاظ على الجودة
والنكهة، قم بتخزين الفاكهة
والخضروات الحساسة للبرودة خارج
الجهاز في درجات حرارة من حوالي
8 °م حتى 12 °م، مثل الأناناس، الموز،
الموالح، الخيار، الكوسة، الفلفل الحلو،
الطماطم والبطاطس.

6.4 مقسم الأواني

⚠ تحذير

خطر الاختناق!

قد يتسلل الأطفال إلى الجهاز
ويتعرضون للاختناق.
◀ لا تخلع أبدًا مقسم الأدرج بدرج
المجمدات.

تنبيه!

قد يتعرض مقسم الأواني بدرج
المجمدات المعلقة للضرر عند خلعه.
◀ لا تخلع أبدًا مقسم الأدرج بدرج
المجمدات.

يقوم مقسم الأدرج بتقسيم
المجمدات حتى يمكنك تنظيم الأطعمة
بشكل أفضل.

7 الاستعمال الأساسي

7.1 تشغيل الجهاز

1. قم بتوصيل الجهاز كهربائيًا.
← صفحة 40

✓ يبدأ الجهاز في التبريد.

7.4 ضبط درجة الحرارة

ضبط درجة حرارة قسم التبريد

- ◀ كرر الضغط على زر ضبط درجة الحرارة (حيز التبريد)، إلى أن يشير بيان درجة الحرارة (حيز التبريد) إلى درجة الحرارة المرغوبة. للوصول إلى درجة الحرارة المصنفة للوصف، حرّك منظم درجة حرارة وعاء التخزين إلى الوضع $\frac{1}{3}$ من أسفل. ←صفحة 43
- درجة الحرارة الموصى بها في قسم التبريد تبلغ 4 °م.

ضبط درجة الحرارة وعاء التخزين

1. لتقليل درجة الحرارة، حرّك منظم درجة الحرارة في الاتجاه **extra cold**.
2. لرفع درجة الحرارة، حرّك منظم درجة الحرارة في الاتجاه **cold**.

4 الشكل ←

ضبط درجة حرارة المجمد

- ◀ كرر الضغط على زر ضبط درجة الحرارة (حيز التجميد)، إلى أن يشير بيان درجة الحرارة (حيز التجميد) إلى درجة الحرارة المرغوبة. درجة الحرارة الموصى بها في المجمد تبلغ -18 °م.

8 الوظائف الإضافية

تعرف على الوظائف الإضافية القابلة للضبط التي يحتوي عليها جهازك.

8.1 التبريد الفائق

مع التبريد الفائق يعمل قسم التبريد بأقصى أداء تبريد ممكن. قم بتشغيل التبريد الفائق قبل تخزين كميات الأطعمة الكبيرة.

✓ تصدر إشارة تحذير صوتية ويومض alarm، نظرًا لأن حيز التجميد مازال دافئًا للغاية.

2 أوقف إشارة التحذير الصوتية بواسطة زر ضبط درجة الحرارة (حيز التبريد).

✓ ينطفئ alarm بمجرد الوصول إلى درجة الحرارة المضبوطة.

3 اضبط درجة الحرارة المرغوبة. ←صفحة 43

7.2 إرشادات حول التشغيل

- إذا قمت بتشغيل الجهاز، لا يتم الوصول إلى درجة الحرارة المضبوطة إلا بعد عدة ساعات. لا تضع أية أطعمة قبل الوصول إلى درجة الحرارة المضبوطة.
- تتعرض واجهات جسم الجهاز للتسخين قليلاً بين الحين والآخر. وهذا يمنع تكون الماء بسبب التكثف في منطقة عنصر إحكام الباب.
- عندما تغلق الباب، يمكن أن يتولد ضغط منخفض. ولا تستطيع فتح الباب مرة أخرى إلا بصعوبة. انتظر لحظة، حتى يتم معادلة الضغط المنخفض.
- تختلف درجة الحرارة في الجهاز حسب الشروط التالية:
 - تكرار عمليات فتح الجهاز
 - مقدار الحمولة
 - درجة حرارة الأطعمة المخزنة حديثاً
 - درجة الحرارة المحيطة
 - أشعة الشمس المباشرة

7.3 إيقاف الجهاز

◀ افصل الجهاز عن الشبكة الكهربائية. اسحب القابس الكهربائي لكابل التيار أو افصل المصهر الموجود في صندوق المصاهر.

قم بإيقاف التجميد الفائق

- ◀ كرر الضغط على زر ضبط درجة الحرارة (حيز التجميد)، إلى أن يشير بيان درجة الحرارة (حيز التجميد) إلى درجة الحرارة المرغوبة.

8.3 وضع توفير الطاقة

- باستخدام وضع توفير الطاقة يمكنك تحويل الجهاز إلى التشغيل الموفر للطاقة.
- يقوم الجهاز بتحويل درجات الحرارة أوتوماتيكياً.

قسم التبريد	8 °م
المجمّد	-16 °م

تشغيل وضع توفير الطاقة

- ◀ كرر الضغط على زر ضبط درجة الحرارة، حتى يضيء eco.

إيقاف وضع توفير الطاقة

- ◀ كرر الضغط على زر ضبط درجة الحرارة، إلى أن يشير بيان درجة الحرارة إلى درجة الحرارة المرغوبة.

9 الإنذار

9.1 إنذار الباب

- عند فتح باب الجهاز لمدة أطول ينطلق إنذار الباب.
- تصدر إشارة تحذير صوتية ويضيء alarm.

إطفاء إنذار الباب

- ◀ أغلق باب الجهاز.
- ✓ يتم إيقاف إشارة التحذير الصوتية.

ملاحظة: عندما يكون التبريد الفائق مشغلاً، قد تتزايد أصوات الضجيج.

تشغيل التبريد الفائق

- ◀ كرر الضغط على زر ضبط درجة الحرارة (حيز التبريد)، حتى يضيء super (درج التبريد).

ملاحظة: بعد حوالي 6 ساعة يتحول الجهاز إلى وضع التشغيل العادي.

قم بإيقاف التبريد الفائق

- ◀ كرر الضغط على زر ضبط درجة الحرارة (حيز التبريد)، إلى أن يشير بيان درجة الحرارة (حيز التبريد) إلى درجة الحرارة المرغوبة.

8.2 التجميد الفائق

مع التجميد الفائق يقوم صندوق التجميد بالتبريد بأقصى أداء تبريد ممكن.

قم بتشغيل التجميد الفائق قبل 4 حتى 6 ساعات من القيام بتخزين كمية أطعمة بدءاً من 2 كجم في المجمد. للاستفادة من قدرة التجميد، استخدم التجميد الفائق.

← "متطلبات قدرة التجميد"،
صفحة 46

ملاحظة: عندما يكون التجميد الفائق مشغلاً، قد تتزايد أصوات الضجيج.

قم بتشغيل التجميد الفائق

- ◀ كرر الضغط على زر ضبط درجة الحرارة (حيز التجميد)، حتى يضيء super (درج التجميد).

ملاحظة: بعد حوالي 60 ساعة يتحول الجهاز إلى وضع التشغيل العادي.

9.2 إنذار درجة الحرارة

عندما تصعب درجة حرارة صندوق التجميد ساخنة جدًا، ينطلق إنذار درجة الحرارة. تصدر إشارة تحذير صوتية ويومض alarm.

⚠️ احتريسي

خطر حدوث أضرار صحية!

- عند إذابة التجمد قد تتكاثر البكتيريا، ومن ثم تفسد المواد المجمدة.
- ▶ لا تقم بإعادة تجميد المواد المذابة.
- ▶ ولا تقم بتجميدها مجددًا إلا بعد طهوها أو قليها،
- ▶ وحينها لا تعتمد على مدة التخزين القصوى كاملة.

قد ينطلق إنذار درجة الحرارة في الحالات التالية:

- عند بدء تشغيل الجهاز.
- لا تقم بتخزين المواد الغذائية، إلا بعد الوصول إلى درجة الحرارة المضبوطة.
- عند وضع كمية كبيرة من الأطعمة الطازجة.
- قم بتشغيل التجميد الفائق قبل تخزين كميات كبيرة من الطعام.
- ترك باب صندوق التجميد مفتوحًا لمدة طويلة.
- افحص ما إذا كان يتم إذابة المواد الغذائية المجمدة.

إطفاء إنذار درجة الحرارة

- ▶ اضغط على زر ضبط درجة الحرارة (حيز التجميد).
- ✓ يتم إيقاف إشارة التحذير الصوتية.

10 قسم التبريد

يمكنك حفظ اللحم والسجق (النقانق) والسمك ومنتجات الألبان والبيض والأطعمة الجاهزة والمخبوزات في قسم التبريد.

يمكن ضبط درجة الحرارة على قيمة من 2° م حتى 8° م.

يمكنك بواسطة التخزين البارد تخزين الطعام القابل للتلف بسهولة لفترة قصيرة وحتى متوسطة. كلما كانت درجة الحرارة المختارة أكثر انخفاضًا، طالت المدة التي تظل فيها الأطعمة طازجة.

10.1 نصائح لتخزين الأطعمة في قسم التبريد

- احفظ الأطعمة الطازجة والسليمة فقط.
- احرص على تغليف الأطعمة بشكل محكم ضد تسريب الهواء أو تغطيتها أثناء حفظها.
- لا تضع الأطعمة أمام فتحة التهوية الداخلية أو بجوار الجدار الخلفي مباشرة حتى لا يضعف تدوير الهواء أو تتجمد الأطعمة.
- ينبغي ترك الأطعمة والمشروبات الساخنة لتبرد أولًا.
- يجب مراعاة تاريخ انتهاء الصلاحية أو تاريخ الاستهلاك المحدد من قبل الجهة الصانعة.

10.2 النطاقات الباردة في قسم التبريد

من خلال تدوير الهواء في قسم التبريد تنشأ نطاقات باردة مختلفة.

أكثر منطقة برودة

أكثر النطاقات برودة تكون في حاوية التخزين.

متطلبات قدرة التجميد

1. قبل وضع الأطعمة الطازجة بحوالي 24 ساعة، قم بتشغيل التجميد الفائق.
- ← "قم بتشغيل التجميد الفائق"،
صفحة 44
2. ضع المواد الغذائية في أدنى درج مجمدات أولاً.

11.2 استغلال سعة صندوق التجميد بالكامل

تعرف على كيفية وضع الكمية القصوى من الطعام المراد تجميده في درج التجميد.

1. أخرج جميع أجزاء التجهيزات في درج التجميد. ←صفحة 49
2. ضع الطعام فوق الأرفف وفوق أرضية درج التجميد مباشرة.

11.3 نصائح لتخزين الأطعمة في صندوق التجميد

- احرص على تغليف الأطعمة بشكل محكم ضد تسريب الهواء أثناء حفظها.
- عدم ملاصقة الأطعمة المراد تجميدها للأطعمة المجمدة.
- قم بتوزيع المواد الغذائية على مساحة كبيرة في أدرج التجميد.
- حتى يتم تدوير الهواء دون إعاقة في الجهاز، قم بإدخال حاوية المجمدات حتى النهاية.

11.4 نصائح حول تجميد الأطعمة الطازجة

- احرص على تجميد الأطعمة الطازجة والسليمة فقط.
- قم بتجميد الأطعمة شيئاً فشيئاً.
- الأطعمة الجاهزة تكون أنسب من الأطعمة التي يمكن تناولها نيئة.
- قم بغسل الخضروات وتقطيعها وسلفها قبل التجميد.

نصيحة: قم بتخزين الأطعمة القابلة للتلف بسهولة، مثل السمك والسجق واللحم، في النطاق الأكثر برودة.

أكثر النطاقات سخونة

أكثر النطاقات سخونة هو الواقع عند الباب بالأعلى تماماً.

نصيحة: قم بتخزين الأطعمة غير المساسة، مثلاً الجبن الصلب والزبدة، في النطاقات الأكثر سخونة. بذلك يمكن للجبن أن يحافظ على رائحته الفواحة، بينما تبقى الزبدة سهلة الفرد.

11 صندوق التجميد

في صندوق التجميد يمكنك تخزين الأغذية المجمدة، وتجميد الطعام وعمل مكعبات الثلج. يمكن ضبط درجة الحرارة على قيمة من -16°C حتى -24°C . عند تخزين الأطعمة لفترة طويلة ينبغي أن يتم ذلك في درجة حرارة -18°C أو أقل.

بفضل خاصية تخزين الأطعمة المجمدة يمكن تخزين الأطعمة التي تفسد بسرعة لفترة طويلة. فدرجات الحرارة المنخفضة تبطئ أو توقف فساد الأطعمة.

11.1 قدرة التجميد

تحدد قدرة التجميد كمية الطعام التي يمكن تجميدها حتى باطنها وعدد الساعات اللازمة لذلك.

ستجد البيانات الخاصة بأقصى قدرة تجميد على لوحة الصنع. ←/الشكل 1/

5

11.6 طرق إذابة التجمد عن الأطعمة المجمدة

⚠️ احتسب

خطر حدوث أضرار صحية!

عند إذابة التجمد قد تتكاثر البكتيريا، ومن ثم تفسد المواد المجمدة.

◀ لا تقم بإعادة تجميد المواد المذابة.

◀ ولا تقم بتجميدها مجددًا إلا بعد طهوها أو قليها،

◀ وحينها لا تعتمد على مدة التخزين القصوى كاملةً.

■ قم بإذابة تجمد أغذية الحيوانات مثل السمك واللحوم والجبن واللبن المخثر في حيز التبريد.

■ قم بإذابة تجمد الخبز في درجة حرارة الغرفة.

■ قم بتحضير الأطعمة في الميكروويف أو في الفرن أو على الموقد لتناولها على الفور.

■ قبل التجميد، قم بغسل الفاكهة ونزع بذورها وتقشيرها حسب اللزوم وإضافة السكر أو مادة حمض الأسكوربيك.

■ من الأطعمة المناسبة للتجميد المخبوزات واللحوم والمأكولات البحرية واللحوم البرية والطيور والبيض بدون قشرة والجبن والزبدة واللبن المخثر والوجبات الجاهزة وبقايا الأطعمة.

■ من الأطعمة غير المناسبة للتجميد الخس والفجل والبيض بقشرته والعنب والتفاح النيئ والكمثرى والزبادي والكريمة الحامضة والفشدة الطرية والمايونيز.

تغليف المواد المجمدة

خامة التغليف المناسبة وطريقة التغليف الصحيحة من شأنهما الحفاظ على جودة المنتج وتجنب حروق التجميد.

1. قم بوضع الطعام في الغلاف.

2. قم بالضغط عليها لتفريغ الهواء.

3. أغلق الغلاف بإحكام ضد الهواء، حتى لا يفقد الطعام نكهته أو يجف.

4. دوّن على الغلاف محتواه وتاريخ تجميده.

11.5 صلاحية الأطعمة

المجمدة في درجة حرارة -18° م

المواد الغذائية	فترة التخزين
السمك والنقانق والأطعمة الجاهزة والمخبوزات	حتى 6 شهور
الطيور واللحوم	حتى 8 شهور
الخضروات والفواكه	حتى 12 شهرًا

يبيّن تقويم التجميد المطبوع أقصى مدة تخزين بالشهور في ظل درجة حرارة ثابتة تبلغ -18° م.

13.2 تنظيف الجهاز



تحذير

خطر الصعق الكهربائي!

الرطوبة المتوَعَّلة في الجهاز قد تسبب صدمة كهربائية.

◀ لا تستخدم أجهزة تنظيف بالضغط العالي أو أجهزة تنظيف بالبخار، كي تنظف الجهاز.

وصول سوائل إلى الإضاءة أو عناصر الاستعمال أو إلى فتحات التهوية الداخلية قد يكون خطيرًا.

◀ يحظر وصول ماء الشطف إلى الإضاءة أو عناصر الاستعمال أو فتحات التهوية الداخلية.

تنبيه!

المنظفات غير المناسبة يمكن أن تضر بسطح الجهاز.

◀ لا تستخدم وسائد حاكة أو قطع إسفنجية خشنة.

◀ لا تستخدم منظفات خادشة أو مواد تنظيف حادة.

◀ لا تستخدم أية منظفات قوية تحتوي على الكحول.

عندما تقوم بتنظيف أجزاء التجهيزات والملحقات في غسالة الأواني، فإنها يمكن أن تتشوه أو يتغير لونها.

◀ لا تقم أبدًا بتنظيف أجزاء التجهيزات والملحقات في غسالة الأواني.

1. قم بتحضير الجهاز للتنظيف.

←صفحة 48

2. قم بتنظيف الجهاز وأجزاء التجهيزات وأجزاء الكماليات وعناصر إحكام الباب باستخدام فوطة أواني وماء فاتر وقدر من مادة تنظيف متعادلة الأس الهيدروجيني.

3. قم بالتجفيف جيدًا بعد ذلك باستخدام فوطة ناعمة وجافة.

4. أدخل أجزاء التجهيزات.

12 إذابة التجمد

12.1 إذابة التجمد في قسم التبريد

صندوق التبريد في جهازك يقوم بإذابة التجمد أوتوماتيكيا.

12.2 إذابة التجمد في صندوق التجميد

بفضل نظام NoFrost الأوتوماتيكي بالكامل يبقى المجمد خاليًا من الثلج. وبالتالي ليس هناك حاجة لإذابة التجمد.

13 التنظيف والعناية

نظف جهازك واعني به بدقة، كي يظل قادرًا على أداء وظيفته لمدة طويلة. يجب أن يتم تنظيف المواضع، التي يصعب الوصول إليها، عن طريق خدمة العملاء. يمكن أن يكلف التنظيف عبر خدمة العملاء نفقات مالية.

13.1 تحضير الجهاز للتنظيف

1. افصل الجهاز عن الشبكة الكهربائية.

اسحب القابس الكهربائي لكابل التيار أو افصل المصهر الموجود في صندوق المصاهر.

2. أخرج جميع الأطعمة وقم بتخزينها في مكان بارد.

ضع مراكم البرودة، إن وجدت، على الأطعمة.

3. أخرج جميع أجزاء التجهيزات وأجزاء الكماليات من الجهاز. ←صفحة 49

5. قم بتوصيل الجهاز كهربائيًا.
←صفحة 40
6. قم بوضع الأطعمة.

13.3 إخراج أجزاء التجهيزات

عندما تريد تنظيف أجزاء التجهيزات جيدًا، اخلعها من جهازك.

إخراج الرف

← اسحب الرف للخارج وارفعه واخلعه.

← الشكل 5

إخراج رف الباب

← ارفع رف الباب واخلعه.

← الشكل 6

أخرج حاوية التخزين

1. اسحب وعاء التخزين للخارج حتى النهاية.
2. ارفع وعاء التخزين للأمام ① وأخرجه ②.

← الشكل 7

إخراج درج الفاكهة والخضروات

1. اسحب درج الفاكهة والخضروات للخارج حتى النهاية.
2. ارفع حاوية الفاكهة والخضروات من الأمام ① ثم اخلعها ②.

← الشكل 8

إخراج حاوية المجمدات

1. اسحب حاوية المجمدات للخارج حتى النهاية.
2. ارفع حاوية المجمدات من الأمام ① وأخرجها ②.

← الشكل 9

خلع واجهة الوعاء

يمكنك خلع واجهة درج الفاكهة والخضروات للتنظيف بشكل أفضل. ← اضغط خطافات التثبيت الإطباقي الجانبية للوعاء ① واخلع واجهة الوعاء من خلال تحريك الوعاء حركةً دوارة ②.

← الشكل 10

14 التغلب على الاختلالات

يمكنك أن تقوم بنفسك بإصلاح الأعطال البسيطة بجهازك. اقرأ معلومات التغلب على الأعطال قبل الاتصال بخدمة ما بعد البيع. حيث يجنبك ذلك أية تكاليف غير ضرورية.



خطر الصعق الكهربائي!

- تنطوي أعمال الإصلاح غير السليمة فنيًا على أخطار.
- ◀ وحدهم أفراد الطاقم الفني المدربون من أجل ذلك يُسمح لهم بإجراء إصلاحات على الجهاز.
 - ◀ لا يُسمح إلا باستخدام قطع الغيار الأصلية لإصلاح الجهاز.
 - ◀ إذا كان كابل الكهرباء لهذا الجهاز متضررًا، يجب تغييره من قبل الجهة الصانعة أو مركز خدمة العملاء التابع لها أو من قبل فني مؤهل بشكل مماثل، وذلك لتجنب المخاطر.

السبب والتغلب على الأعطال	العطل
<p>نمط العرض مشغّل.</p> <ul style="list-style-type: none"> ◀ استمر في الضغط على مفتاح ضبط درجة الحرارة (حيز التبريد) لمدة من 9 إلى 11 ثانية حتى تصدر إشارة صوتية. 	<p>الجهاز لا يبّد، بينما الشاشة وتجهيزة الإضاءة مضيئتان.</p>
<p>أسباب مختلفة ممكنة.</p> <ul style="list-style-type: none"> ◀ اتصل بخدمة العملاء. <p>تجد رقم خدمة العملاء في دليل مراكز خدمة العملاء المرفق.</p>	<p>إضاءة LED لا تعمل.</p>
<p>لا يوجد خطأ. تمر أنابيب عبر الجدران الجانبية، وهي تسخن أثناء عملية التبريد. الأثاث الذي يلامس الجهاز لا يتضرر بسبب الحرارة.</p> <p>لا داع لاتخاذ تصرف.</p>	<p>الجدران الجانبية للجهاز ساخنة.</p>
<p>أسباب مختلفة ممكنة.</p> <ul style="list-style-type: none"> ◀ اضغط على زر ضبط درجة الحرارة (حيز التجميد). ✓ يتم إيقاف الإنذار. 	<p>يصدر صوت تحذير ويومض alarm.</p>
<p>باب الجهاز مفتوح.</p> <ul style="list-style-type: none"> ◀ أغلق باب الجهاز. 	
<p>فتحات التهوية الخارجية مسدودة.</p> <ul style="list-style-type: none"> ◀ قم بإزالة أية عوائق موجودة أمام فتحات التهوية الخارجية. 	
<p>تم وضع كمية كبيرة من الأطعمة الطازجة.</p>	

العطل	السبب والتغلب على الأعطال
يصدر صوت تحذير و يومض alarm.	◀ لا تتجاوز أقصى قدرة تجميد. ← "قدرة التجميد", صفحة 46
لم يتم الوصول إلى درجة الحرارة المضبوطة. خاصية إذابة التجمد الأوتوماتيكية بالكامل لا تعمل.	تم ترك باب صندوق التجميد مفتوحاً لفترة طويلة. جهاز التبخير (مولد البرودة) في نظام NoFrost متجمد بشدة. الشرط: تم تخزين الطعام المجمد بشكل جيد في مكان بارد. 1. قم بإيقاف الجهاز. ←صفحة 43 2. افصل الجهاز عن الشبكة الكهربائية. اسحب القابس الكهربائي لكابل توصيل التيار من المقبس أو افصل المصهر الموجود في صندوق المصاهر. 3. أبعد الجهاز عن الحائط. 4. اترك باب الجهاز مفتوحاً. ✓ بعد حوالي 20 دقيقة يبدأ الماء المذاب بالسيلان في صينية التبخير على الجهة الخلفية للجهاز. ← الشكل 11
درجة الحرارة تختلف كثيراً عن وضع الضبط.	5. لمنع زيادة الماء على صينية التبخير في هذه الحالة قم بالتقاط الماء المذاب بواسطة إسفنجة. يكون قد تم إذابة التجمد عن جهاز التبخير عند توقف سيلان الماء المذاب في صينية التبخير. 6. قم بتنظيف الحيز الداخلي للجهاز. ←صفحة 48 7. أعد تشغيل الجهاز. ←صفحة 42
يتكون ماء متكثف على سطح الجهاز والأررف في الجهاز.	أسباب مختلفة ممكنة. 1. قم بإيقاف الجهاز. ←صفحة 43 2. أعد تشغيل الجهاز بعد حوالي 5 دقائق. ←صفحة 42 - عندما تكون درجة الحرارة مرتفعة جداً، تحقق من درجة الحرارة مجدداً بعد بضع ساعات. - عندما تكون درجة الحرارة باردة جداً، تحقق من درجة الحرارة مجدداً في اليوم التالي.
يتكون الماء المتكثف على الأسطح الباردة.	يتكثف الماء المحتوي على هواء دافئ ورطب على الأسطح الباردة. 1. امسح الماء باستخدام قطعة قماش ناعمة وجافة. 2. افتح الجهاز قليلاً قدر الإمكان. 3. تأكد أن الجهاز مغلق دائماً بصورة صحيحة.

السبب والتغلب على الأعطال	العطل
لا يوجد خطأ. محرك يعمل، مثلاً جهاز التبريد، المروحة. مادة التبريد تتدفق عبر الأنابيب. يتم تشغيل أو إيقاف المحرك أو المفتاح أو الصمامات المغناطيسية. يتم إذابة التجمد أو توماتيكياً. لا داع لاتخاذ تصرف.	الجهاز يصدر صوت أزيز أو بقللة أو زن أو بقبقة أو طقطقة أو طرقة.
الجهاز في وضعية غير مستوية. ◀ قم بمحاذاة الجهاز باستخدام ميزان ماء والأقدام ذات المسامير الحلزونية.	الجهاز يصدر أصوات ضجيج.
الجهاز ليس منفصل. ◀ التزم بالحد الأدنى للمسافات الفاصلة للجهاز.	
أجزاء التجهيزات ترتج أو تنحصر. ◀ افحص أجزاء التجهيزات القابلة لل فك و قم بتركيبها من جديد حسب الحالة.	
الزجاجات أو الأواني تتلامس. ◀ أبعد الزجاجات أو الأواني عن بعضها.	
التجميد الفائق مشغل. لا داع لاتخاذ تصرف.	

14.1 انقطاع التيار الكهربائي

ترتفع درجة الحرارة في الجهاز أثناء انقطاع الكهرباء وبالتالي تقل مدة التخزين وتخفض جودة الأطعمة المجمدة.

من خلال موقعنا الإلكتروني الخاص بجهازك سوف تتعرف في البيانات الفنية على مدة تخزين المواد المجمدة عند حدوث أعطال.

ملاحظات

- لا تفتح الجهاز إلا بأقل ما يمكن ولا تقم بتخزين أطعمة أخرى.
- تحقق من جودة الأطعمة فور انقطاع الكهرباء.
- تخلص من الأطعمة المجمدة التي ذاب تجمدها وكانت درجة حرارتها أعلى من 5 °م.
- قم بطهي الأطعمة المجمدة المذاب تجمدها قليلاً أو قم بتحميرها وتناولها أو أعد تجميدها.

15.2 التخلص من الجهاز القديم

يمكن إعادة تدوير المواد الخام الثمينة من خلال التخلص من الجهاز بطريقة تحافظ على البيئة.

⚠ تحذير

خطر حدوث أضرار صحية!

يمكن أن يتعرّض الأطفال للاحتجاز داخل الجهاز وتكون هناك خطورة على حياتهم.

- ◀ تجنباً لتسلل الأطفال للداخل لا تقم بسحب الأرفف والحاويات من الجهاز.
- ◀ احرص على بقاء الأطفال بعيداً عن الجهاز التالف.

⚠ تحذير

خطر نشوب حريق!

في حالة حدوث ضرر بالمواسير يمكن أن تتسرب مادة تبريد قابلة للاشتعال وغازات ضارة وتشتعل.

- ◀ احرص على عدم إلحاق أضرار بأنايب دورة التبريد أو العازل.

1. انزع القابس الكهربائي من كابل الكهرباء.
2. اقطع كابل الكهرباء.
3. تخلص من الجهاز بطريقة لا تضر بالبيئة.

يمكنك الحصول على المعلومات الخاصة بأحدث سبل التخلص من المخلفات لدى تاجر المتخصص أو لدى إدارة البلدية أو المدينة التي تتبع لها.

هذا الجهاز مطابق للمواصفة الأوربية 2012/19 المجموعة الاقتصادية الأوربية الخاصة بالأجهزة الكهربائية والإلكترونية



15 التخزين والتخلص

15.1 إخراج الجهاز من الخدمة

1. افصل الجهاز عن الشبكة الكهربائية. اسحب القابس الكهربائي لكابل التيار أو افصل المصهر الموجود في صندوق المصاهر.
2. أخرج جميع الأطعمة.
3. قم بتنظيف الجهاز. ←صفحة 48
4. اترك الجهاز مفتوحاً لضمان تهوية الميز الداخلي.

عندما تتواصل مع خدمة العملاء، سوف تكون بحاجة إلى رقم المنتج (E-Nr.) ورقم الصنع (FD-Nr.) الخاصين بجهازك. تجد بيانات الاتصال بخدمة العملاء في فهرس خدمة العملاء المرفق أو على موقعنا الإلكتروني.

16.1 رقم المنتج (E-Nr.) ورقم الصنع (FD)

تجد رقم المنتج (E-Nr.) ورقم الصنع (FD) على لوح الصنع للجهاز.

← الشكل 1/5

كي تجد بيانات جهازك ورقم هاتف خدمة العملاء مجددًا بسرعة، يمكنك تدوين البيانات.

17 البيانات التقنية

تجد المعلومات حول مادة التبريد والسعة الصافية وغير ذلك من البيانات الفنية على لوحة الصنع.

← الشكل 1/5

القديمة (waste electrical and electronic equipment WEEE).

وهذه المواصفة تحدد الإطار العام لقواعد تسري في جميع دول الاتحاد الأوروبي بخصوص استعادة الأجهزة القديمة وإعادة استغلالها.

16 خدمة العملاء

يمكن الحصول على قطع غيار أصلية ذات صلة بالوظيفة وفقًا لتوجيهات التصميم الإلكتروني ذات الصلة من خدمة العملاء لمدة 10 سنوات على الأقل من تاريخ استلام العميل للسلعة أو تاريخ تفعيل الضمان للسلع التي تحتاج إلى تركيب أو تشغيل¹ سوف تحصل على معلومات مفصلة حول فترة الضمان وشروطه في بلدك لدى خدمة العملاء الخاصة بنا أو لدى التاجر الذي تتعامل معه أو على موقعنا الإلكتروني.

¹ يسري على مصر

Для получения дополнительной информации см.
Цифровое руководство пользователя.



Содержание

1 Безопасность.....	57	6.5 Дверная полка	68
1.1 Общие указания	57	6.6 Аксессуары.....	68
1.2 Использование по назначению....	57	7 Стандартное управление.....	68
1.3 Ограничение круга пользова- телей	57	7.1 Включение прибора.....	68
1.4 Безопасная транспортировка	58	7.2 Указания по эксплуатации.....	69
1.5 Безопасный монтаж	58	7.3 Выключение прибора.....	69
1.6 Безопасная эксплуатация	59	7.4 Установка температуры	69
1.7 Поврежденный прибор	62	8 Дополнительные функции.....	70
2 Во избежание материального ущерба	64	8.1 Суперохлаждение	70
3 Защита окружающей среды и экономия	64	8.2 Суперзамораживание.....	70
3.1 Утилизация упаковки.....	64	8.3 Режим экономии энергии	70
3.2 Как сэкономить элек- троэнергию	64	9 Предупредительный сигнал	71
4 Установка и подключение.....	65	9.1 Предупредительный сигнал при открытой дверце.....	71
4.1 Комплект поставки	65	9.2 Предупредительный сигнал по- вышения температуры.....	71
4.2 Критерии выбора места уста- новки	65	10 Холодильное отделение.....	71
4.3 Установка прибора	66	10.1 Рекомендации по хранению продуктов в холодильном отделении	72
4.4 Подготовка прибора к началу эксплуатации.....	66	10.2 Температурные зоны в холо- дильном отделении.....	72
4.5 Подключение прибора к элек- тросети	66	11 Морозильное отделение.....	72
5 Знакомство с прибором.....	66	11.1 Производительность замора- живания.....	72
5.1 Прибор	66	11.2 Размещение продуктов по всей площади морозильного отделения	73
5.2 Панель управления.....	67	11.3 Рекомендации по хранению продуктов в морозильном отделении	73
6 Элементы оснащения.....	67	11.4 Рекомендации по заморажи- ванию свежих продуктов	73
6.1 Полка	67		
6.2 Контейнер для хранения	67		
6.3 Бокс для овощей и фруктов с регулятором влажности	67		
6.4 Разделитель для контейнера	68		

11.5	Срок хранения замороженных продуктов при -18°C	73
11.6	Способы размораживания замороженных продуктов	74
12	Размораживание	74
12.1	Размораживание холодильного отделения	74
12.2	Размораживание в морозильном отделении.....	74
13	Очистка и уход	74
13.1	Подготовка прибора к очистке	74
13.2	Очистка прибора	75
13.3	Извлечение элементов оснащения	75
14	Устранение неисправностей	77
14.1	Отключение электроэнергии	80
15	Хранение и утилизация.....	80
15.1	Вывод прибора из эксплуатации	80
15.2	Утилизация старого бытового прибора	80
16	Сервисная служба.....	81
16.1	Номер изделия (E-Nr.) и заводской номер (FD).....	81
17	Технические характеристики ...	81



1 Безопасность

Соблюдайте следующие указания по технике безопасности.

1.1 Общие указания

- Внимательно прочитайте данное руководство.
- Сохраните инструкцию и информацию о приборе для дальнейшего использования или для передачи следующему владельцу.
- В случае обнаружения повреждений, связанных с транспортировкой, не подключайте прибор.

1.2 Использование по назначению

Используйте прибор только:

- для охлаждения и заморозки продуктов, а также приготовления кубиков льда.
- в бытовых условиях и в закрытых помещениях домашних хозяйств.
- на высоте не более 2000 м над уровнем моря.

1.3 Ограничение круга пользователей

Данный прибор может использоваться детьми в возрасте от 8 лет и старше, а также лицами с ограниченными физическими, сенсорными или умственными способностями или с недостатком опыта и/или знаний, если они находятся под присмотром или после получения указаний по безопасному использованию прибора и после того, как они осознали опасности, связанные с неправильным использованием.

Детям запрещено играть с прибором.

Очистку и обслуживание прибора запрещается выполнять детям без надзора взрослых.

1.4 Безопасная транспортировка

⚠ ПРЕДУПРЕЖДЕНИЕ – Опасность травмирования!

Вследствие большого веса прибора при его подъеме возможны травмы.

- ▶ Не поднимайте прибор в одиночку.

1.5 Безопасный монтаж

⚠ ПРЕДУПРЕЖДЕНИЕ – Опасность поражения электрическим током!

При неквалифицированном монтаже прибор может стать источником опасности.

- ▶ При подключении прибора и его эксплуатации соблюдайте данные, приведенные на фирменной табличке.
- ▶ Прибор можно подключать только к электросети переменного тока через установленную согласно предписаниям розетку с заземлением.
- ▶ Система заземления в домашней электропроводке должна быть установлена согласно предписаниям.
- ▶ Запрещается оснащать прибор внешним переключателем, например, таймером или пультом дистанционного управления.
- ▶ Если прибор встроен, необходимо предусмотреть свободный доступ к вилке сетевого кабеля или, если это невозможно, установить в стационарной электропроводке специальный выключатель для размыкания согласно условиям монтажа.
- ▶ При установке прибора не допускайте зажатия или повреждения сетевого кабеля.

Поврежденная изоляция сетевого кабеля является источником опасности.

- ▶ Ни в коем случае не допускайте контакта сетевого кабеля с источниками тепла.

⚠ ПРЕДУПРЕЖДЕНИЕ – Опасность взрыва!

Если вентиляционные отверстия прибора закрыты, при утечке хладагента может образоваться горючая воздушно-газовая смесь.

- ▶ Не закрывайте вентиляционные отверстия в корпусе прибора или в корпусе для встраивания.

⚠ ПРЕДУПРЕЖДЕНИЕ – Опасность возгорания!

Использование удлиненного сетевого кабеля и недопустимых адаптеров опасно.

- ▶ Не используйте удлинительные кабели или многоконтактные розетки.
- ▶ Используйте только допущенные производителем адаптеры и сетевые кабели.
- ▶ Если сетевой кабель слишком короткий и более длинного нет в наличии, следует связаться со специализированной электротехнической фирмой, чтобы адаптировать домовую внутреннюю проводку.

Переносные многоконтактные розетки или переносные сетевые узлы могут перегреться и стать причиной возгорания.

- ▶ Не располагайте многоконтактные розетки или переносные сетевые узлы на задней стенке прибора.

При контакте прибора с водопроводными или газовыми коммуникациями существует риск возникновения коррозии по причине возможного наличия электрического потенциала на коммуникациях. Утечка газа из поврежденных коррозией газовых коммуникаций и вследствие этого элементов холодильного контура может привести к возгоранию.

- ▶ Обеспечьте дистанцию не менее 5 см между прибором и водопроводными и/или газовыми коммуникациями.

1.6 Безопасная эксплуатация**⚠ ПРЕДУПРЕЖДЕНИЕ – Опасность поражения электрическим током!**

Проникшая в прибор влага может стать причиной поражения током.

- ▶ Используйте прибор только в закрытом помещении.
- ▶ Не пользуйтесь прибором при слишком высокой температуре или влажности.
- ▶ Не используйте для очистки прибора пароочистители или очистители высокого давления.

⚠ ПРЕДУПРЕЖДЕНИЕ – Опасность удушья!

Дети могут завернуться в упаковочный материал или надеть его себе на голову и задохнуться.

- ▶ Не подпускайте детей к упаковочному материалу.
- ▶ Не позволяйте детям играть с упаковочным материалом.

Дети могут вдохнуть или проглотить мелкие детали, в результате чего задохнуться.

- ▶ Не подпускайте детей к мелким деталям.
- ▶ Не позволяйте детям играть с мелкими деталями.

⚠ ПРЕДУПРЕЖДЕНИЕ – Опасность взрыва!

Если контур хладагента поврежден, горючий хладагент может вытечь и привести к взрыву.

- ▶ Не используйте механическое оборудование или средства, кроме рекомендованных производителем, для ускорения размораживания.
- ▶ Отделяйте замороженные продукты тупым предметом, например деревянной ручкой ложки.

Продукты с горючими газами-вытеснителями и взрывоопасные вещества, например, аэрозольные баллончики, могут взорваться.

- ▶ Не храните продукты с горючими газами-вытеснителями и взрывоопасные вещества внутри прибора.

⚠ ПРЕДУПРЕЖДЕНИЕ – Опасность возгорания!

Использование электрических приборов внутри прибора (например, нагревателей или электрических морожениц) может привести к возгоранию.

- ▶ Не используйте электрические приборы внутри прибора.

⚠ ПРЕДУПРЕЖДЕНИЕ – Опасность травмирования!

Ёмкости с газированными напитками могут лопнуть.

- ▶ Не храните ёмкости с газированными напитками в морозильном отделении.

Повреждение глаз в следствие утечки горючего хладагента и вредных газов.

- ▶ Не допускайте повреждения труб контура циркуляции хладагента и изоляции.

Прибор может опрокинуться.

- ▶ Не вставляйте на цоколь, выдвижные элементы или дверцы, а также не опирайтесь на них.

⚠ ПРЕДУПРЕЖДЕНИЕ – Опасность ожога!

Отдельные части задней стенки прибора во время работы нагреваются.

- ▶ Не прикасайтесь к горячим частям прибора.

⚠ ПРЕДУПРЕЖДЕНИЕ – Опасность обморожения!

Контакт с замороженными продуктами и холодными поверхностями может привести к холодовому ожогу.

- ▶ Никогда не прикасайтесь к замороженным продуктам сразу после извлечения из морозильного отделения.
- ▶ Избегайте длительного контакта кожи с замороженными продуктами, льдом и поверхностями в морозильном отделении.

⚠ ОСТОРОЖНО – Риск нанесения вреда здоровью!

Чтобы избежать загрязнения пищи, следуйте указаниям, приведенным ниже.

- ▶ При открытой в течение длительного времени дверце, в отсеках прибора может значительно подняться температура.
- ▶ Периодически очищайте поверхности, которые могут соприкасаться с продуктами и выступающими частями дренажных систем.
- ▶ Храните сырое мясо и рыбу в соответствующих контейнерах в холодильнике, чтобы они не касались и не капали на другие продукты.
- ▶ Если холодильник/морозильник долгое время простаивает, выключите прибор, разморозьте, очистите и оставьте дверцу открытой, чтобы предотвратить образование плесени.

Элементы прибора, выполненные из металла или внешне похожие на металлические, могут содержать алюминий. При контакте кислотосодержащих продуктов с алюминиевыми элементами, ионы алюминия проникают в продукты.

- ▶ Не употребляйте в пищу такие продукты.

1.7 Поврежденный прибор

ПРЕДУПРЕЖДЕНИЕ – Опасность поражения электрическим током!

Поврежденный прибор или поврежденный сетевой кабель являются источником опасности.

- ▶ Категорически запрещается эксплуатировать поврежденный прибор.
- ▶ Запрещается тянуть за сетевой кабель, чтобы отсоединить прибор от сети электропитания. Вынимайте из розетки вилку сетевого кабеля.
- ▶ В случае повреждения прибора или сетевого кабеля немедленно выньте вилку сетевого кабеля из розетки или отключите предохранитель в блоке предохранителей.
- ▶ Обратитесь в сервисную службу. → *Страница 81*

При неквалифицированном ремонте прибор может стать источником опасности.

- ▶ Ремонтировать прибор разрешается только квалифицированным специалистам.
- ▶ Для ремонта прибора можно использовать только оригинальные запчасти.
- ▶ Во избежание опасностей замена поврежденного сетевого кабеля данного прибора может быть выполнена только производителем или авторизованной им сервисной службой либо лицом, имеющим аналогичную квалификацию.

ПРЕДУПРЕЖДЕНИЕ – Опасность возгорания!



При поврежденных трубках горючий хладагент и вредные газы могут протечь и воспламениться.

- ▶ Держите прибор вдали от огня и источников воспламенения.
- ▶ Проветрите помещение.
- ▶ Выключите прибор. → *Страница 69*
- ▶ Извлеките из розетки вилку сетевого кабеля или выключите предохранитель в блоке предохранителей.

► Обратитесь в сервисную службу. → *Страница 81*

2 Во избежание материального ущерба

ВНИМАНИЕ!

При перекашивании роликов прибора при перемещении можно повредить пол.

- ▶ Перевозите прибор на тележке.
- ▶ При перемещении прибора используйте защиту для пола и не передвигайте прибор зигзагом.

Использование прибора, цоколей, выдвижных элементов и дверец в качестве опоры для сидения или лазания может привести к повреждению прибора.

- ▶ Не вставляйте на прибор, цоколь, выдвижные элементы или дверцы, а также не опирайтесь на них.

Из-за попадания масла и смазки пластмассовые детали и уплотнители дверцы могут стать пористыми.

- ▶ Не допускайте попадания масла и жира на пластмассовые детали и уплотнители дверцы.

Элементы прибора, выполненные из металла или внешне похожие на металлические, могут содержать алюминий.

Алюминий вступает в реакцию при контакте с кислотосодержащими продуктами.

- ▶ Не храните продукты в приборе без упаковки.

При мытье элементов оснащения и принадлежностей в посудомоечной машине, они могут деформироваться или изменить цвет.

- ▶ Не мойте детали прибора и принадлежности в посудомоечной машине.

3 Защита окружающей среды и экономия

3.1 Утилизация упаковки

Упаковочные материалы экологически безопасны и могут использоваться повторно.

- ▶ Утилизируйте отдельные части, предварительно рассортировав их.

3.2 Как сэкономить электроэнергию

При соблюдении этих указаний прибор будет расходовать меньше электроэнергии.

Выбор места установки

- Оберегайте прибор от воздействия прямых солнечных лучей.
- Устанавливайте прибор как можно дальше от радиаторов отопления, печей и прочих источников тепла:
 - Соблюдайте расстояние 30 мм от электрических или газовых плит.
 - соблюдайте расстояние в 300 мм от прибора до масляных или угольных печей.
- Оставляйте небольшой отступ от боковой стенки.
- Не закрывайте и не загромождайте внешние вентиляционные отверстия.

Экономия электроэнергии во время использования

Заметка: Расположение элементов оснащения внутри прибора не влияет на расход прибором электроэнергии.

- Открывайте прибор только на короткое время и аккуратно закрывайте.
- Не закрывайте и не загромождайте внутренние и внешние вентиляционные отверстия.

- Купленные продукты перевозите в теплоизолированной сумке и быстро загружайте в прибор.
- Перед помещением на хранение дайте продуктам и напиткам остыть.
- Замороженные продукты положите для размораживания в холодильное отделение, чтобы использовать их холод.
- Между продуктами и задней стенкой всегда оставляйте немного места.

4 Установка и подключение

4.1 Комплект поставки

После распаковки проверьте все детали на отсутствие транспортных повреждений и комплектность поставки. Обращайтесь с рекламациями в магазин, где вы приобрели прибор, или в нашу сервисную службу → *Страница 81*.

В комплект поставки входят:

- Напольный прибор
- Элементы оснащения и принадлежности¹
- Материал для монтажа
- Инструкция по монтажу
- Руководство по эксплуатации
- Перечень сервисных служб
- Гарантийный талон²
- Наклейка с информацией об энергопотреблении
- Информация о расходе электроэнергии и шумах

¹ В зависимости от комплектации

² Не во всех странах

4.2 Критерии выбора места установки

ПРЕДУПРЕЖДЕНИЕ Опасность взрыва!

В слишком тесном помещении при утечке хладагента может образоваться горючая воздушно-газовая смесь.

- ▶ Устанавливайте прибор только в помещении площадью не менее 1 м³ на 8 г хладагента. Количество хладагента указано на типовой табличке внутри прибора. → Рис. **1/5**

Вес прибора может составлять в зависимости от заводской модели до 90 кг. Чтобы выдержать вес прибора, поверхность, на которую он устанавливается, должна быть достаточно устойчивой.

Допустимая температура помещения

Допустимая температура помещения зависит от климатического класса прибора.

Климатический класс прибора указан на его типовой табличке. → Рис. **1/5**

Климатический класс	Допустимая температура помещения
SN	10–32 °C
N	16–32 °C
ST	16–38 °C
T	16–43 °C

Прибор полностью работоспособен в пределах допустимой температуры помещения.

В случае эксплуатации прибора климатического класса SN при более низкой температуре помещения повреждение прибора можно исключить до температуры помещения 5 °C.

Установка приборов друг под другом (Over-and-Under) и рядом друг с другом (Side-by-Side)

Если вы хотите разместить рядом или друг под другом 2 холодильных прибора, то между ними должно оставаться расстояние не менее 150 мм. Установка без соблюдения минимального расстояния возможна для отдельных моделей приборов. Уточните данный вопрос в специализированном магазине или у специалиста по планировке кухни.

4.3 Установка прибора

- ▶ Установите прибор в соответствии с прилагаемой инструкцией по монтажу.

4.4 Подготовка прибора к началу эксплуатации

1. Выньте информационные материалы.
2. Снимите защитную плёнку и транспортировочные крепления, такие как клейкая лента и картон.
3. Перед первым использованием очистите прибор. → *Страница 75*

4.5 Подключение прибора к электросети

1. Вставьте вилку сетевого кабеля прибора в розетку, расположенную вблизи прибора.
Параметры подключения прибора указаны на фирменной табличке. → *Рис. 1 / 5*
 2. Проверьте прочность подключения вилки сетевого кабеля.
- ✓ Прибор готов к использованию.

5 Знакомство с прибором

5.1 Прибор

Здесь приведен обзор составных частей прибора.

→ *Рис. 1*

A	Холодильное отделение → <i>Страница 71</i>
B	Морозильное отделение → <i>Страница 72</i>
1	Панель управления → <i>Страница 67</i>
2	Освещение
3	Внутреннее вентиляционное отверстие
4	Регулятор температуры (контейнер для хранения) → <i>Страница 69</i>
5	Типовая табличка → <i>Страница 81</i>
6	Контейнер для хранения → <i>Страница 67</i>
7	Бокс для овощей и фруктов с регулятором влажности → <i>Страница 67</i>
8	Бокс для замороженных продуктов → <i>Страница 75</i>
9	Винтовая ножка
10	Дверная полка для больших бутылок → <i>Страница 68</i>

Заметка: Элементы оснащения и размер вашего прибора могут отличаться от изображенных.

5.2 Панель управления

Настроить все функции прибора и получить информацию о его рабочем состоянии можно через панель управления.

→ Рис. 2

- | | |
|---|---|
| 1 | alarm светится, если включена сигнализация. |
| 2 | Кнопкой регулировки температуры (холодильное отделение) устанавливается температура холодильного отделения. |
| 3 | super (Холодильное отделение) светится, если включено Суперохлаждение. |
| 4 | Отображает температуру холодильного отделения в °C. |
| 5 | eco (Холодильное отделение) светится, если включен режим энергосбережения в холодильном отделении. |
| 6 | Кнопкой регулировки температуры (морозильное отделение) устанавливается температура морозильного отделения. |
| 7 | super (Морозильное отделение) светится, если включено Суперзамораживание. |
| 8 | Отображает температуру морозильного отделения в °C. |
| 9 | eco (Морозильное отделение) светится, если включен режим энергосбережения в морозильном отделении. |

6 Элементы оснащения

Комплектация вашего прибора зависит от модели.

6.1 Полка

Чтобы получить лучший обзор содержимого холодильника и быстрее брать продукты, выдвиньте полку.

Если вы хотите переставить полку, выньте её и установите в другом месте.

→ "Снятие полок", Страница 75

6.2 Контейнер для хранения

В контейнере для хранения создаётся более низкая температура, чем в холодильном отделении. Температура может временно опускаться ниже 0 °C.

Чтобы температура в контейнере для хранения была около 0 °C, установите температуру холодильного отделения 2 °C. → Страница 69

Устанавливайте в контейнере для хранения более низкую температуру, чтобы хранить скоропортящиеся продукты, например рыбу, мясо и колбасу.

6.3 Бокс для овощей и фруктов с регулятором влажности



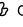
Храните свежие фрукты и овощи без упаковки в контейнере для фруктов и овощей.

Нарезанные фрукты и овощи накройте крышкой или храните в герметичной упаковке.

С помощью регулятора влажности можно регулировать влажность воздуха в контейнере для овощей. Это позволяет сохранять фрукты и овощи свежими дольше по сравнению с обычным способом хранения.

→ Рис. 3

Установка влажности воздуха с помощью регулятора влажности в боксе для фруктов и овощей в зависимости от вида и количества загружаемых продуктов:

- низкая влажность  при хранении преимущественно фруктов, при смешанной или высокой загрузке;
- высокая влажность   при хранении преимущественно овощей и при малой загрузке.

В зависимости от количества и вида хранящихся продуктов в контейнере для овощей и фруктов может образовываться конденсат.

Вытрите конденсат сухой тканевой салфеткой и установите низкую влажность воздуха при помощи регулятора влажности.

Для поддержания качества и аромата храните чувствительные к холоду фрукты и овощи, например, ананасы, бананы, цитрусовые, огурцы, цуккини, сладкий перец, помидоры и картофель, вне холодильника при температуре прибл. от 8 °C до 12 °C.

6.4 Разделитель для контейнера

ПРЕДУПРЕЖДЕНИЕ

Опасность удушья!

Дети могут забраться внутрь прибора и задохнуться.

- ▶ Никогда не вынимайте разделитель бокса для замороженных продуктов.

ВНИМАНИЕ!

При вынимании разделитель бокса для замороженных продуктов может получить повреждения.

- ▶ Никогда не вынимайте разделитель бокса для замороженных продуктов.

Для организации оптимального процесса хранения в боксе для замороженных продуктов можно использовать разделитель.

6.5 Дверная полка

Если вы хотите переставить дверные полки, выньте их и установите в другом месте.

→ "Снятие дверных полок",

Страница 75

6.6 Аксессуары

Используйте оригинальные аксессуары. Они адаптированы к данному прибору. Аксессуары для прибора зависят от модели.

Лоток для яиц

Для безопасного хранения яиц используйте лоток для яиц.

Ёмкость для кубиков льда

Используйте ёмкость для кубиков льда для приготовления кубиков льда.

Приготовление кубиков льда

Для приготовления кубиков льда используйте исключительно питьевую воду.

1. Заполните ёмкость для кубиков льда питьевой водой на $\frac{3}{4}$ и поставьте в морозильное отделение.

Примерзшую ёмкость для кубиков льда отделяйте только тупым предметом (например, ручкой ложки).

2. Для извлечения кубиков льда, ёмкость для кубиков льда недолго подержите под проточной водой или слегка изогните.

7 Стандартное управление

7.1 Включение прибора

1. Подключите прибор к электросети.

→ Страница 66

- ✓ Прибор начинает производить холод.

- ✓ Звучит предупредительный сигнал и мигает **alarm**, потому что в морозильном отделении ещё слишком тепло.
- 2. Выключите предупредительный сигнал с помощью кнопки регулировки температуры (морозильное отделение).
- ✓ **alarm** погаснет, как только будет достигнута установленная температура.
- 3. Установите нужную температуру.
→ Страница 69

7.2 Указания по эксплуатации

- После включения прибора установленная температура будет достигнута через несколько часов.
Не загружайте продукты, пока не будет достигнута установленная температура.
- Передняя сторона корпуса временно слегка подогревается. Это препятствует образованию конденсата в области уплотнителя дверцы.
- При закрывании дверцы может возникнуть вакуум. Дверцу будет сложнее открыть. Подождите, пока отрицательное давление не выровняется.
- Внутренняя температура прибора зависит от следующих факторов:
 - Частота открывания дверцы
 - Объем загрузки
 - Температура только что загруженных продуктов
 - Температура окружающей среды
 - Воздействие прямых солнечных лучей

7.3 Выключение прибора

- ▶ Отсоедините прибор от электросети. Извлеките из розетки вилку сетевого кабеля или выключите предохранитель в блоке предохранителей.

7.4 Установка температуры

Установка температуры в холодильном отделении

- ▶ Нажимайте кнопку регулировки температуры (холодильное отделение) до тех пор, пока на индикаторе температуры (холодильное отделение) не будет отображаться желаемое значение.

Чтобы достичь заданной температуры, передвиньте регулятор температуры внизу контейнера для хранения в положение $\frac{1}{3}$. → Страница 69

Рекомендуемая температура в холодильном отделении составляет 4 °С.

Установка температуры в контейнере для хранения

1. Чтобы понизить температуру, передвиньте регулятор температуры в направлении **extra cold**.
2. Чтобы повысить температуру, передвиньте регулятор температуры в направлении **cold**.

→ Рис. 4

Установка температуры в морозильном отделении

- ▶ Нажимайте кнопку регулировки температуры (морозильное отделение) до тех пор, пока на индикаторе температуры (морозильное отделение) не будет отображаться желаемое значение.

Рекомендуемая температура в морозильном отделении составляет -18 °С.

8 Дополнительные функции

Узнайте, какие дополнительные функции поддерживает ваш прибор.

8.1 Суперохлаждение

При включении Суперохлаждение охлаждение внутри холодильного отделения становится максимально интенсивным. Включите Суперохлаждение, прежде чем закладывать большой объем продуктов на хранение.

Заметка: При включении Суперохлаждение прибор может начать больше шуметь при эксплуатации.

Включение Суперохлаждение

- ▶ Нажимайте кнопку регулировки температуры (холодильное отделение) до тех пор, пока не загорится **super** (Холодильное отделение).

Заметка: Спустя прим. 6 часов прибор переключается в обычный режим работы.

Выключение Суперохлаждение

- ▶ Нажимайте кнопку регулировки температуры (холодильное отделение) до тех пор, пока на индикаторе температуры (холодильное отделение) не будет отображаться желаемое значение.

8.2 Суперзамораживание

При Суперзамораживании происходит максимально интенсивное охлаждение морозильного отделения. Включите Суперзамораживание на 4–6 часов, прежде чем закладывать более 2 кг продуктов на хранение.

Включите Суперзамораживание, чтобы воспользоваться возможностями замораживания.

→ "Условия для производительности замораживания", Страница 72

Заметка: Если Суперзамораживание включено, это может привести к увеличению эксплуатационного шума.

Включение Суперзамораживание

- ▶ Нажимайте кнопку регулировки температуры (морозильное отделение) до тех пор, пока не загорится **super** (Морозильное отделение).

Заметка: Спустя прим. 60 часов прибор переключается в обычный режим работы.

Выключение Суперзамораживание

- ▶ Нажимайте кнопку регулировки температуры (морозильное отделение) до тех пор, пока на индикаторе температуры (морозильное отделение) не будет отображаться желаемое значение.

8.3 Режим экономии энергии

Устанавливая режим экономии энергии, вы переключаете прибор в энергосберегающий режим работы.

Прибор автоматически изменяет температуру.

Холодильное отделение	8 °C
Морозильное отделение	-16 °C

Включение режима экономии энергии

- ▶ Нажимайте кнопку регулировки температуры до тех пор, пока не загорится **eco**.

Выключение режима экономии энергии

- ▶ Нажимайте кнопку регулировки температуры до тех пор, пока на индикаторе температуры не будет установлено желаемое значение.

9 Предупредительный сигнал

9.1 Предупредительный сигнал при открытой дверце

Если дверца прибора остается долго открытой, включается предупредительный сигнал.

Звучит предупредительный сигнал и загорается alarm.

Выключение предупредительного сигнала при открытой дверце

- ▶ Закройте дверцу прибора.
- ✓ Предупредительный сигнал отключен.

9.2 Предупредительный сигнал повышения температуры

Предупредительный сигнал повышения температуры включается, если в морозильном отделении становится слишком тепло.

Звучит предупредительный сигнал и мигает alarm.

ОСТОРОЖНО

Риск нанесения вреда здоровью!

В процессе размораживания возможно размножение бактерий, и замороженные продукты могут испортиться.

- ▶ Не замораживайте заново частично или полностью размороженные продукты.

- ▶ Замораживайте заново продукты только после варки или жарки.
- ▶ Не превышайте максимальный срок хранения.

Предупредительный сигнал повышения температуры может включаться в следующих случаях:

- прибор вводится в эксплуатацию. Загружать продукты на хранение следует после достижения установленной температуры;
- было загружено большое количество свежих продуктов. Включайте Суперзамораживание перед загрузкой большого количества продуктов;
- дверца морозильного отделения открыта слишком долго. Убедитесь, что замороженные продукты оттаяли или разморозились.

Выключение предупредительного сигнала повышения температуры

- ▶ Нажмите кнопку регулировки температуры (морозильное отделение).
- ✓ Предупредительный сигнал отключен.

10 Холодильное отделение

Вы можете хранить мясо, колбасу, рыбу, молочные продукты, яйца, готовые блюда и хлебобулочные изделия в холодильном отделении.

Температура регулируется в диапазоне от 2 °C до 8 °C.

Благодаря холодному хранению вы также можете хранить скоропортящиеся продукты краткосрочно и среднесрочно. Чем ниже выбранная температура, тем дольше продукты сохраняют свежесть.

10.1 Рекомендации по хранению продуктов в холодильном отделении

- Загружайте только свежие и неповреждённые продукты.
- Продукты должны быть герметично запакованы или храниться под закрытой крышкой.
- Чтобы не нарушать циркуляцию воздуха и не допускать замораживания продуктов, не размещайте продукты перед внутренними вентиляционными отверстиями или вплотную у задней стенки.
- Горячие блюда и напитки сначала следует охлаждать.
- Следите за указанными изготовителем сроками годности или сроками хранения продуктов.

10.2 Температурные зоны в холодильном отделении

Циркуляция воздуха в холодильной камере создает различные зоны холода.

Самая холодная зона

Самая холодная зона находится в контейнере для хранения.

Рекомендация: Храните в самой холодной зоне скоропортящиеся продукты, например, рыбу, колбасу, мясо.

Самая тёплая зона

Самая тёплая зона находится в самой верхней части дверцы.

Рекомендация: Храните в зоне самой высокой температуры продукты с длительным сроком хранения, например твёрдый сыр и масло. За счёт этого аромат сыра будет раскрываться, а масло останется мягким.

11 Морозильное отделение

В морозильном отделении вы можете хранить замороженные продукты, замораживать продукты и делать кубики льда.

Температура регулируется в диапазоне от $-16\text{ }^{\circ}\text{C}$ до $-24\text{ }^{\circ}\text{C}$.

Для долгосрочного хранения продуктов рекомендуется температура $-18\text{ }^{\circ}\text{C}$ или ниже.

Хранение продуктов в замороженном состоянии позволяет сохранять скоропортящиеся продукты в течение длительного времени. Низкая температура замедляет или предотвращает порчу продуктов.

11.1 Производительность замораживания

Производительность замораживания указывает, какое количество продуктов и за какой период времени можно глупо заморозить.

Данные о производительности замораживания указаны на типовой табличке.

→ Рис. 1 / 5

Условия для производительности замораживания

1. Примерно за 24 часа до загрузки свежих продуктов нажмите Суперзамораживание.
→ "Включение Суперзамораживание", Страница 70
2. Сначала положите продукты в самый нижний бокс для замороженных продуктов.

11.2 Размещение продуктов по всей площади морозильного отделения

Узнайте, как разместить максимальное количество замороженных продуктов в морозильном отделении.

1. Выньте все элементы оснащения из морозильного отделения.
→ Страница 75
2. Разложите продукты прямо на полках и на дне морозильного отделения.

11.3 Рекомендации по хранению продуктов в морозильном отделении

- Храните продукты в герметичной упаковке.
- Предназначенные для замораживания продукты не должны соприкасаться с ранее замороженными продуктами.
- Разложите продукты свободно в боксе для замороженных продуктов.
- Чтобы воздух мог беспрепятственно циркулировать в приборе, задвиньте боксы для замороженных продуктов внутрь до упора.

11.4 Рекомендации по замораживанию свежих продуктов

- Замораживайте только свежие продукты в безупречном состоянии.
- Замораживайте продукты порциями.
- Готовые блюда лучше подходят для этого, чем сырые.
- Перед заморозкой следует промыть, порезать и бланшировать овощи.
- Перед заморозкой фруктов их следует помыть, удалить косточки и при необходимости очистить от кожуры, а

также при необходимости добавить сахар или раствор аскорбиновой кислоты.

- Пригодными для замораживания продуктами являются хлебобулочные изделия, рыба и морепродукты, мясо, дичь, птица, яйца без скорлупы, сыр, сливочное масло, творог, готовые блюда и остатки блюд.
- Непригодными для замораживания продуктами являются листовая салат, редиска, яйца в скорлупе, виноград, целые яблоки и груши, йогурт, сметана, крем-фреш и майонез.

Упаковка продуктов для замораживания

Подходящий упаковочный материал и правильный тип упаковки в значительной мере сохраняют качество продукта и предотвращают его промерзание.

1. Положите продукты в упаковку.
2. Выдавите весь воздух.
3. Закройте упаковку герметично, чтобы продукты не утратили вкус и не высохли.
4. Укажите на упаковке ее содержимое и дату замораживания.

11.5 Срок хранения замороженных продуктов при $-18\text{ }^{\circ}\text{C}$

Продукты	Срок хранения
Рыба, колбасные изделия, готовые блюда, хлебобулочные изделия	до 6 месяцев
Птица, мясо	до 8 месяцев
Овощи, фрукты	до 12 месяцев

Календарь сроков хранения замороженных продуктов указывает максимальный срок хранения в месяцах при постоянной температуре $-18\text{ }^{\circ}\text{C}$.

11.6 Способы размораживания замороженных продуктов

ОСТОРОЖНО

Риск нанесения вреда здоровью!

В процессе размораживания возможно размножение бактерий, и замороженные продукты могут испортиться.

- ▶ Не замораживайте заново частично или полностью размороженные продукты.
- ▶ Замораживайте заново продукты только после варки или жарки.
- ▶ Не превышайте максимальный срок хранения.

- Продукты животного происхождения, например, рыбу, мясо, сыр и творог, размораживайте в холодильном отделении.
- Хлеб размораживайте при комнатной температуре.
- Готовьте продукты для немедленного употребления в микроволновой печи, в духовом шкафу или на плите.

12 Размораживание

12.1 Размораживание холодильного отделения

Холодильное отделение размораживается автоматически.

12.2 Размораживание в морозильном отделении

Благодаря полностью автоматической системе «NoFrost» внутри морозильного отделения лёд не образуется. Размораживание не требуется.

13 Очистка и уход

Для долговременной исправной работы прибора требуется его тщательная очистка и уход.

Чистку недоступных мест должны производить специалисты сервисной службы. Чистка специалистами сервисной службы может быть платной.

13.1 Подготовка прибора к очистке

1. Отсоедините прибор от электросети.
Извлеките из розетки вилку сетевого кабеля или выключите предохранитель в блоке предохранителей.
2. Выньте продукты и положите их в холодное место.
Положите на продукты питания аккумуляторы холода, если они есть.
3. Извлеките все элементы оснащения и принадлежности из прибора.
→ Страница 75

13.2 Очистка прибора

⚠ ПРЕДУПРЕЖДЕНИЕ

Опасность поражения электрическим током!

Проникающая в прибор влага может стать причиной поражения током.

- ▶ Не используйте для очистки прибора пароочистители или очистители высокого давления.

Попадание жидкости в элементы системы освещения, в элементы управления или во внутренние вентиляционные отверстия может представлять опасность.

- ▶ Не допускайте попадания воды в систему освещения, в элементы управления или во внутренние вентиляционные отверстия.

ВНИМАНИЕ!

Неподходящие чистящие средства могут повредить поверхности прибора.

- ▶ Не используйте жесткие мочалки или губки.
- ▶ Не используйте агрессивные или абразивные чистящие средства.
- ▶ Не используйте чистящие средства с большим содержанием спирта.

При мытье элементов оснащения и принадлежностей в посудомоечной машине, они могут деформироваться или изменить цвет.

- ▶ Не мойте детали прибора и принадлежности в посудомоечной машине.

1. Подготовьте прибор к очистке.
→ Страница 74
2. Очистите прибор, элементы оснащения, принадлежности и уплотнители дверцы с помощью тканевой салфетки и тёплой воды с небольшим количеством рН-нейтрального средства для мытья посуды.
3. Вытрите насухо мягкой сухой салфеткой.
4. Установите элементы оснащения.

5. Подключите прибор к электросети.
→ Страница 66
6. Загрузите продукты.

13.3 Извлечение элементов оснащения

Если вы хотите тщательно очистить элементы оснащения, выньте их из прибора.

Снятие полок

- ▶ Выдвиньте, приподнимите и снимите полку.
→ Рис. 5

Снятие дверных полок

- ▶ Приподнимите и снимите дверные полки.
→ Рис. 6

Извлечение контейнера для хранения

1. Выдвиньте контейнер для хранения до упора.
2. Приподнимите спереди контейнер для хранения ① и выньте ②.
→ Рис. 7

Извлечение бокса для овощей и фруктов

1. Выдвиньте до упора бокс для овощей и фруктов.
2. Приподнимите бокс для овощей и фруктов ① и извлеките движением на себя ②.
→ Рис. 8

Извлечение бокса для замороженных продуктов

1. Выдвиньте бокс для замороженных продуктов до упора.

2. Приподнимите бокс для замороженных продуктов ① и потяните вперед ②.

→ Рис. **9**

Снятие передней части контейнера

Для более удобной очистки можно снять переднюю часть контейнера для фруктов и овощей.

- ▶ Прижмите боковые фиксаторы контейнера ① и снимите с поворотом переднюю часть с контейнера ②.

→ Рис. **10**

14 Устранение неисправностей

Вы можете самостоятельно устранить незначительные неисправности вашего прибора. Воспользуйтесь информацией из главы «Устранение неисправностей» перед обращением в сервисную службу. Это позволит избежать дополнительных расходов.

ПРЕДУПРЕЖДЕНИЕ

Опасность поражения электрическим током!

При неквалифицированном ремонте прибор может стать источником опасности.

- ▶ Ремонтировать прибор разрешается только квалифицированным специалистам.
- ▶ Для ремонта прибора можно использовать только оригинальные запчасти.
- ▶ Во избежание опасностей замена поврежденного сетевого кабеля данного прибора может быть выполнена только производителем или авторизованной им сервисной службой либо лицом, имеющим аналогичную квалификацию.

Неисправность	Причина и устранение неисправностей
Прибор не охлаждает, индикаторы и подсветка горят.	Включен демонстрационный режим. ▶ Удерживайте кнопку регулировки температуры (холодильное отделение) 9–11 секунд, пока не раздастся звуковой сигнал.
Светодиодная подсветка не работает.	Возможны различные причины. ▶ Обратитесь в сервисную службу. Номер сервисной службы можно найти в прилагаемом перечне сервисных служб.
Боковые панели прибора теплые.	Не является неисправностью. В боковых стенках проходят трубки, которые нагреваются в процессе охлаждения. Повреждение предметов мебели, соприкасающихся с прибором, под действием тепла не происходит. Никаких действий не требуется.
Звучит предупредительный сигнал и мигает alarm.	Возможны различные причины. ▶ Нажмите кнопку регулировки температуры (морозильное отделение). ✓ Сигнализация выключается.
	Дверца прибора открыта. ▶ Закройте дверцу прибора.
	Перекрыты внешние вентиляционные отверстия. ▶ Устраните препятствия перед внешними вентиляционными отверстиями.
	Было загружено большое количество свежих продуктов. ▶ Не превышайте производительность замораживания. → "Производительность замораживания", Страница 72

Неисправность	Причина и устранение неисправностей
<p>Установленное значение температуры не достигнуто.</p> <p>Полностью автоматическое размораживание больше не работает.</p>	<p>Дверца морозильного отделения была открыта в течение длительного времени. Испаритель (генератор холода) в системе NoFrost сильно обледенел.</p> <p>Требование: Замороженные продукты должны быть хорошо упакованы и храниться в прохладном месте.</p> <ol style="list-style-type: none"> 1. Выключите прибор. → <i>Страница 69</i> 2. Отсоедините прибор от сети. Отсоедините прибор от электросети или выключите соответствующий предохранитель в блоке предохранителей. 3. Отодвиньте прибор от стены. 4. Оставьте дверцу прибора открытой. <p>✓ Примерно через 20 минут талая вода начнёт стекать в сливное отверстие поддона в задней стенке прибора. → <i>Рис. 11</i></p> <ol style="list-style-type: none"> 5. Чтобы поддон не переполнялся, убирайте талую воду губкой. Испаритель оттаял, если в поддон больше не стекает вода. 6. Очистите прибор внутри. → <i>Страница 75</i> 7. Снова включите прибор. → <i>Страница 68</i>
<p>Температура существенно отличается от настроенной.</p>	<p>Возможны различные причины.</p> <ol style="list-style-type: none"> 1. Выключите прибор. → <i>Страница 69</i> 2. Включите прибор примерно через 5 минут. → <i>Страница 68</i> <ul style="list-style-type: none"> – Если температура слишком высокая, проверьте ее через два часа. – Если температура слишком низкая, проверьте ее на следующий день.
<p>На поверхности прибора и полках образуется конденсат.</p>	<p>Вода, содержащаяся в теплом и влажном воздухе, конденсируется на более холодных поверхностях прибора.</p> <ol style="list-style-type: none"> 1. Убирайте воду мягкой сухой салфеткой. 2. Дверцы прибора закрывайте как можно быстрее. 3. Следите за тем, чтобы прибор всегда был правильно закрыт.
<p>Прибор издаёт гул, булькающие звуки, гудит, дребезжит, щёлкает или трещит.</p>	<p>Не является неисправностью. Работает двигатель, например холодильного агрегата или вентилятора. Хладагент течёт по трубам. Включаются или выключаются двигатель, выключатель или электромагнитные клапаны. Происходит автоматическое размораживание. Никаких действий не требуется.</p>

Неисправность	Причина и устранение неисправностей
Прибор издаёт шумы.	Прибор установлен неровно.
	▶ Выровняйте прибор с помощью уровня или винтовых ножек.
	Прибор не является отдельно стоящим.
	▶ Соблюдайте минимальные расстояния от прибора.
	Плохо установлены элементы оснащения.
▶ Проверьте извлечённые элементы оснащения и заново их установите.	
Бутылки или ёмкости касаются друг друга.	
▶ Отодвиньте бутылки или другие ёмкости друг от друга.	
Включено Суперзамораживание.	
Никаких действий не требуется.	

14.1 Отключение электроэнергии

Во время перебоев в подаче электроэнергии температура в приборе повышается, что сокращает время хранения и снижает качество замороженных продуктов.

На нашем веб-сайте в информации о технических характеристиках вашего прибора указано время хранения продуктов в замороженном состоянии в случае неисправности.

Примечания

- Во время отключения электроэнергии открывайте устройство как можно реже и не помещайте на хранение другие продукты.
- Проверьте качество продуктов сразу после возобновления подачи электроэнергии.
 - Выкиньте продукты, которые заморозились и температура которых составляет более 5 °С.
 - Слегка оттаявшие замороженные продукты сварите или поджарьте и употребите в пищу или снова заморозьте.

15 Хранение и утилизация

15.1 Вывод прибора из эксплуатации

1. Отсоедините прибор от электросети. Извлеките из розетки вилку сетевого кабеля или выключите предохранитель в блоке предохранителей.
2. Выньте продукты.
3. Очистка прибора. → *Страница 75*
4. Для обеспечения вентиляции внутреннего пространства оставьте прибор открытым.

15.2 Утилизация старого бытового прибора

Утилизация в соответствии с экологическими нормами обеспечивает возможность вторичного использования ценных сырьевых материалов.

ПРЕДУПРЕЖДЕНИЕ

Риск нанесения вреда здоровью!

Дети могут оказаться запертыми в приборе и подвергнуть свою жизнь опасности.

- ▶ Чтобы дети не смогли забраться внутрь, не извлекайте из прибора полки и контейнеры.
- ▶ Отслуживший прибор держать вдали от детей.

ПРЕДУПРЕЖДЕНИЕ

Опасность возгорания!

При поврежденных трубках горючий хладагент и вредные газы могут протечь и воспламениться.

- ▶ Не допускайте повреждения труб контура циркуляции хладагента и изоляции.

1. Выньте из розетки вилку сетевого кабеля.
2. Обрежьте сетевой кабель прибора.
3. Утилизируйте прибор в соответствии с экологическими нормами.

Сведения о возможных способах утилизации можно получить в специализированном торговом предприятии, а также в районных или городских органах управления.



Данный прибор имеет отметку о соответствии европейским нормам 2012/19/EU утилизации электрических и электронных приборов.

пов (waste electrical and electronic equipment - WEEE).

Данные нормы определяют действующие на территории Евросоюза правила возврата и утилизации старых приборов.

16 Сервисная служба

Подробную информацию о гарантийном сроке и условиях гарантии в вашей стране вы можете запросить в нашей сервисной службе, у вашего продавца или найти на нашем сайте.

При обращении в сервисную службу укажите номер изделия (E-Nr.) и заводской номер (FD) прибора.

Адрес и телефон сервисной службы можно найти в прилагаемом перечне сервисных служб или на нашем веб-сайте.

Для доступа к контактам служб клиентского сервиса, вы также можете использовать данный QR код.

<https://www.bosch-home.ru>



16.1 Номер изделия (E-Nr.) и заводской номер (FD)

Номер изделия (E-Nr.) и заводской номер (FD) вы найдете на фирменной табличке своего прибора.

→ Рис. 1 / 5

Чтобы быстро найти данные прибора и номер телефона сервисной службы, вы можете записать эти данные.

17 Технические характеристики

Хладагент, полезный объем и прочие технические данные указаны на типовой табличке.

→ Рис. 1 / 5



Thank you for buying a Bosch Home Appliance!

Register your new device on MyBosch now and profit directly from:

- **Expert tips & tricks for your appliance**
- **Warranty extension options**
- **Discounts for accessories & spare-parts**
- **Digital manual and all appliance data at hand**
- **Easy access to Bosch Home Appliances Service**

Free and easy registration – also on mobile phones:

www.bosch-home.com/welcome

BOSCH
HOME APPLIANCES
SERVICE

Looking for help? You'll find it here.

Expert advice for your Bosch home appliances, help with problems or a repair from Bosch experts.

Find out everything about the many ways Bosch can support you:

www.bosch-home.com/service

Contact data of all countries are listed in the attached service directory.

BSH Hausgeräte GmbH

Carl-Wery-Straße 34
81739 München, GERMANY
www.bosch-home.com

A Bosch Company



9001874281 (030608)

en, ar, ru