

SIEMENS

VB554DFR0

Oven



EN User manual and installation instructions

Siemens Home Appliances

Register your appliance on My Siemens and
discover exclusive services and offers.



Table of contents

INFORMATION FOR USE

1	Safety	2
2	Preventing material damage	4
3	Environmental protection and saving energy	5
4	Familiarising yourself with your appliance	5
5	Accessories	8
6	Before using for the first time	9
7	Basic operation	10
8	Rotary spit	10
9	Time-setting options	11
10	Child safety lock	12
11	Cleaning and servicing	13
12	Rails	15
13	Appliance door	16
14	Troubleshooting	17
15	Disposal	18
16	Customer Service	18
17	How it works	19
18	INSTALLATION INSTRUCTIONS	21
18.1	Safe installation	21

1 Safety

Observe the following safety instructions.

1.1 General information

- Read this instruction manual carefully.
- Keep the instruction manual and the product information safe for future reference or for the next owner.
- Do not connect the appliance if it has been damaged in transit.

1.2 Intended use

This appliance is designed only to be built into kitchen units. Read the special installation instructions.

Only a licensed professional may connect appliances without plugs. Damage caused by incorrect connection is not covered under the warranty.

Only use this appliance:

- To prepare meals and drinks.
- in private households and in enclosed spaces in a domestic environment.
- up to an altitude of max. 2000 m above sea level.

Do not use the appliance:

- with an external timer or a remote control.

1.3 Restriction on user group

This appliance may be used by children aged 8 or over and by people who have reduced physical, sensory or mental abilities or inadequate experience and/or knowledge, provided that they are supervised or have been instructed on how to use the appliance safely and have understood the resulting dangers.

Do not let children play with the appliance.

Children must not perform cleaning or user maintenance unless they are at least 15 years old and are being supervised.

Keep children under the age of 8 years away from the appliance and power cable.

1.4 Safe use

Always place accessories in the cooking compartment the right way round.

→ "Accessories", Page 8

WARNING – Risk of fire!

Combustible objects that are left in the cooking compartment may catch fire.

- ▶ Never store combustible objects in the cooking compartment.
- ▶ If smoke is emitted, the appliance must be switched off or the fuse must be switched off and the door must be held closed in order to stifle any flames.

Loose food remnants, fat and meat juices may catch fire.

- ▶ Before using the appliance, remove the worst of the food residues and remnants from the cooking compartment, heating elements and accessories.

Opening the appliance door creates a draught. Greaseproof paper may come into contact with the heating element and catch fire.

- ▶ Never place greaseproof paper loosely over accessories when preheating the appliance and while cooking.
- ▶ Always cut greaseproof paper to size and use a plate or baking tin to hold it down.

⚠ WARNING – Risk of burns!

The appliance and its parts that can be touched become hot during use.

- ▶ Caution should be exercised here in order to avoid touching heating elements.
- ▶ Young children under 8 years of age must be kept away from the appliance.

Accessories and cookware get very hot.

- ▶ Always use oven gloves to remove accessories or cookware from the cooking compartment.

When the cooking compartment is hot, any alcoholic vapours inside may catch fire. The appliance door may spring open. Hot steam and jets of flame may escape.

- ▶ Only use small quantities of drinks with a high alcohol content in food.
- ▶ Do not heat spirits ($\geq 15\%$ vol.) when undiluted (e.g. for marinating or pouring over food).
- ▶ Open the appliance door carefully.

The telescopic shelves become hot when the appliance is in use.

- ▶ Allow hot telescopic shelves to cool down before touching them.
- ▶ Only touch hot telescopic shelves with oven gloves.

⚠ WARNING – Risk of scalding!

The accessible parts of the appliance become hot during operation.

- ▶ Never touch these hot parts.
- ▶ Keep children at a safe distance.

Hot steam may escape when you open the appliance door. Steam may not be visible, depending on the temperature.

- ▶ Open the appliance door carefully.
- ▶ Keep children at a safe distance.

If there is water in the cooking compartment when it is hot, this may create hot steam.

- ▶ Never pour water into the cooking compartment when the cooking compartment is hot.

⚠ WARNING – Risk of injury!

Scratched glass in the appliance door may develop into a crack.

- ▶ Do not use any harsh or abrasive cleaners or sharp metal scrapers to clean the glass on the oven door, as they may scratch the surface.

The appliance and its parts that can be touched may have sharp edges.

- ▶ Take care when handling and cleaning them.
- ▶ If possible, wear protective gloves.

The hinges on the appliance door move when the door is opened and closed, which could trap your fingers.

- ▶ Keep your hands away from the hinges. Components inside the appliance door may have sharp edges.
- ▶ Wear protective gloves.

⚠ WARNING – Risk of electric shock!

Improper repairs are dangerous.

- ▶ Repairs to the appliance should only be carried out by trained specialist staff.
- ▶ Only use genuine spare parts when repairing the appliance.
- ▶ If the power cord of this appliance is damaged, it must be replaced by the manufacturer, the manufacturer's Customer Service or a similarly qualified person in order to prevent any risk.

If the insulation of the power cord is damaged, this is dangerous.

- ▶ Never let the power cord come into contact with hot appliance parts or heat sources.
- ▶ Never let the power cord come into contact with sharp points or edges.
- ▶ Never kink, crush or modify the power cord.

An ingress of moisture can cause an electric shock.

- ▶ Do not use steam- or high-pressure cleaners to clean the appliance.

If the appliance or the power cord is damaged, this is dangerous.

- ▶ Never operate a damaged appliance.
- ▶ Call customer services. → *Page 18*

⚠ WARNING – Risk of suffocation!

Children may put packaging material over their heads or wrap themselves up in it and suffocate.

- ▶ Keep packaging material away from children.
- ▶ Do not let children play with packaging material.

Children may breathe in or swallow small parts, causing them to suffocate.

- ▶ Keep small parts away from children.
- ▶ Do not let children play with small parts.

1.5 Halogen bulb

⚠ WARNING – Risk of burns!

The bulbs in the cooking compartment get very hot. There is still a risk of burning for some time after they have been switched off.

- ▶ Do not touch the glass cover.
- ▶ Avoid contact with your skin when cleaning.

⚠ WARNING – Risk of electric shock!

When changing the bulb, the bulb socket contacts are live.

- ▶ Before replacing the bulb, ensure that the appliance is switched off in order to prevent a potential electric shock.
- ▶ Also switch off the fuse in the fuse box.

2 Preventing material damage

2.1 General

ATTENTION!

Alcoholic vapours may catch fire in the hot cooking compartment and cause permanent damage to the appliance. The appliance door may spring open due to an explosion and it may fall off. The door panels may shatter and fragment. Due to the resulting negative pressure, the cooking compartment may become considerably deformed inwards.

- ▶ Do not heat spirits ($\geq 15\%$ vol.) when undiluted (e.g. for marinating or pouring over food).

If there is water on the cooking compartment floor when operating the appliance at temperatures above $120\text{ }^{\circ}\text{C}$, this will damage the enamel.

- ▶ Do not use the appliance if there is water on the cooking compartment floor.
- ▶ Wipe away any water on the cooking compartment floor before operation.

Objects on the cooking compartment floor at over $50\text{ }^{\circ}\text{C}$ will cause heat to build up. The baking and roasting times will no longer be correct and the enamel will be damaged.

- ▶ Do not place any accessories, greaseproof paper or foil of any kind on the cooking compartment floor.
- ▶ Only place cookware on the cooking compartment floor if a temperature under $50\text{ }^{\circ}\text{C}$ has been set.

When the cooking compartment is hot, any water inside it will create steam. The change in temperature may cause damage.

- ▶ Never pour water into the cooking compartment when it is still hot.
- ▶ Never place cookware containing water on the cooking compartment floor.

The prolonged presence of moisture in the cooking compartment leads to corrosion.

- ▶ Always wipe away the condensation after cooking. Always allow the cooking compartment to cool down with the door closed after cooking at high temperatures.

- ▶ Do not keep moist food in the cooking compartment for a long time with the door closed.
- ▶ Do not store food in the cooking compartment.
- ▶ Take care not to trap anything in the appliance door.

Fruit juice dripping from the baking tray leaves stains that cannot be removed.

- ▶ When baking very juicy fruit flans, do not pack too much on the baking tray.
- ▶ If possible, use the deeper universal pan.

Using oven cleaner in a hot cooking compartment damages the enamel.

- ▶ Never use oven cleaner in the cooking compartment when it is still warm.
- ▶ Remove all food remnants from the cooking compartment and the appliance door before you next heat up the appliance.

If the seal is very dirty, the appliance door will no longer close properly during operation. This may damage the front of adjacent kitchen units.

- ▶ Keep the seal clean at all times.
- ▶ Never operate the appliance if the seal is damaged or missing.

Sitting or placing objects on the appliance door may damage it.

- ▶ Do not place, hang or support objects on the appliance door.
- ▶ Do not place cookware or accessories on the appliance door.

With certain models, accessories may scratch the door pane when closing the appliance door.

- ▶ Always push accessories fully into the cooking compartment.

If aluminium foil comes into contact with the door pane, it could cause permanent discolouration.

- ▶ Do not allow aluminium foil in the cooking compartment to come into contact with the door pane.

3 Environmental protection and saving energy

3.1 Disposing of packaging

The packaging materials are environmentally compatible and can be recycled.

- ▶ Sort the individual components by type and dispose of them separately.

3.2 Saving energy

If you follow these instructions, your appliance will use less power.

Only preheat the appliance if the recipe or the recommended settings tell you to do so.

→ "How it works", Page 19

- Not preheating the appliance can reduce the energy used by up to 20%.

Use dark-coloured, black-coated or enamelled baking tins.

- These types of baking tin absorb the heat particularly well.

Open the appliance door as little as possible during operation.

- This maintains the temperature in the cooking compartment and eliminates the need for the appliance to reheat.

When baking multiple dishes, do so in succession or in parallel.

- The cooking compartment is heated after baking the first dish. This reduces the baking time for the subsequent cakes.

For longer cooking times, you can switch the appliance off 10 minutes before the cooking time ends.

- There is sufficient residual heat to finish cooking the dish.

Remove any accessories that are not being used from the cooking compartment.

- Accessories that are not being used do not need to be heated.

Allow frozen food to defrost before cooking.

- This saves the energy that would otherwise be required to defrost it.

Note:

The appliance requires:

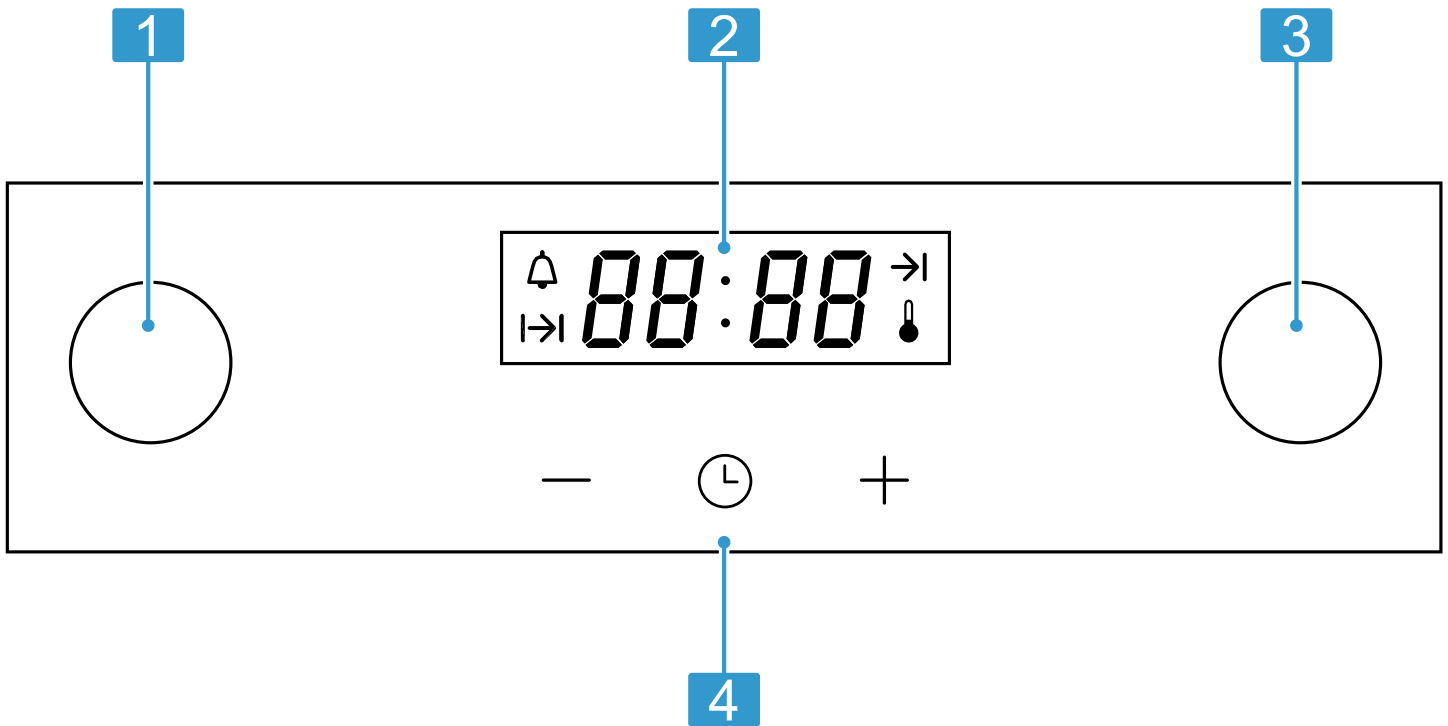
- A maximum of 1 W in standby mode with the display switched on
- A maximum of 0.5 W in standby mode with the display switched off

4 Familiarising yourself with your appliance

4.1 Control panel

You can use the control panel to configure all functions of your appliance and to obtain information about the operating status.

Note: On certain models, specific details such as colour and shape may differ from those pictured.



1	Function selector	Use the function selector to set the type of heating or other functions. You can turn the function selector clockwise or anti-clockwise from the zero setting.
2	Display	The display shows symbols for active functions and the time-setting options.
3	Temperature selector	Use the temperature selector to set the temperature for the type of heating. You can turn the temperature selector clockwise and anti-clockwise.
4	Touch fields	You can use the touch fields to set various functions directly.

Buttons

You can use the buttons to directly select various functions.

Note: If a button is not operational, a signal tone sounds.

Symbol	Button	Explanation
🕒	Time-setting options	Set the timer, cooking time, end time or time
—	Minus	Decrease the setting value
+	Plus	Increase the setting value
🔒	Childproof lock	Activate and deactivate the childproof lock in standby mode

Display

You can see the current setting values or options in the display.

The value that you can currently set is in focus. The value is displayed in white lettering with a dark background.

Symbol	Explanation
🔔	Timer
⏱	Duration
⏹	End
88:88	Time indicator
🔥	Heat-up indicator

Temperature selector

Use the temperature selector to set the temperature.

Heat-up indicator

When the appliance is heating, 🔥 lights up on the display. This goes out during pauses in the heating. If you preheat the appliance, place the dish in the cooking compartment as soon as the heat-up indicator goes out for the first time.

Note: Due to thermal inertia, the temperature displayed may differ slightly from the actual temperature inside the cooking compartment.

4.2 Types of heating and functions

To ensure that you always use the right type of heating to cook your food, we have explained the differences and applications below.

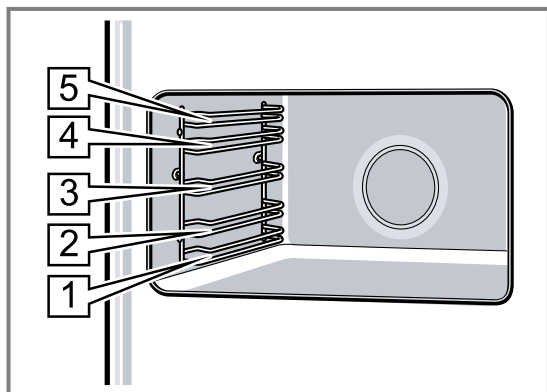
Symbol	Type of heating or function	Temperature or setting	Use
	Rapid heating	50-250 °C	For rapidly heating up the oven.
	3D hot air	50-250 °C	Prepare dishes on 1-2 levels. The fans distribute the heat from the ring-shaped heating elements in the back panel evenly around the cooking compartment.
	Air recirculation	50-250 °C	Bake cakes and baked items on one level. The fans distribute the heat from the heating elements evenly around the cooking compartment.
	Bottom heating	50-250 °C	Cook dishes for additional time. The heat is emitted from below.
	Full-surface grill	50 – 250 °C	Grill flat items, such as steak, sausages or toast and gratinate. The entire area below the grill element becomes hot.
	Circulated air grill	50-220 °C	Bake or roast meat, poultry and whole fish. The fan circulates the hot air around the food. Note: When using the air recirculation grill, set a maximum temperature of 220 °C.
	Top/bottom heat gentle	50-250 °C	For gently cooking selected types of food (e.g. meat, vegetables) on one level without preheating. The type of heating is unsuitable for food that rises as it bakes (e.g. bread).
	Top/bottom heating	50-250 °C	Prepare cakes, bakes and lean joints. The heat is emitted evenly from above and below.
	Rotary spit	50-250 °C	Roasts, rolled roasting joints and poultry

4.3 Cooking compartment

The functions in the cooking compartment make your appliance easier to use.

Shelf positions

The cooking compartment has 5 shelf positions. Always insert the accessory as far as it will go so that the accessory does not touch the door panel. Slide the accessory into the cooking compartment correctly.



Self-cleaning surfaces

The back wall and side panels of the cooking compartment are self-cleaning. The self-cleaning surfaces in the cooking compartment are coated with a porous, matt ceramic layer and have a rough surface. When the ap-

pliance is in operation, the self-cleaning surfaces absorb splashes from roasting or grilling and break them down.

Interior lighting

In most operating modes, the interior lighting switches on as soon as operation starts. The interior lighting switches off again when operation stops.

To switch on the cooking compartment lighting when the appliance is switched off, set the function selector to any function except for . Ensure that the temperature selector is set to the "Off" position.

Cooling fan

The cooling fan switches on and off as required. The hot air escapes via the appliance door.

ATTENTION!

Covering the ventilation slots will cause the appliance to overheat.

- ▶ Do not cover the ventilation slots.

To cool the cooking compartment more quickly after operation, the cooling fan continues to run for a certain period afterwards.

Condensation

This section tells you how condensation is formed, how you can prevent damage, and how you can prevent condensation from forming.

When you are cooking food in the cooking compartment, a lot of steam may form in the cooking compartment. Since your appliance is extremely energy-efficient, only a small amount of heat escapes during op-

eration. Due to the significant differences in temperature between the appliance interior and the external parts of the appliance, condensation may build up on the appliance door, the control panel or the front panels of adjacent kitchen units. The formation of condensation is a normal physical phenomenon.

In order to prevent damage, wipe away the condensation. If condensation collects in the drip trough, remove the condensation with a sponge. An overflowing drip trough may damage the fitted unit. Leave the appliance to dry with the door open.


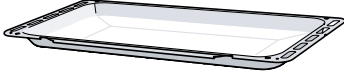

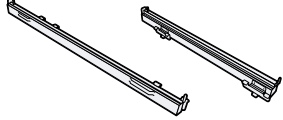

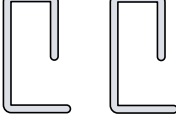
When you preheat the appliance, you reduce the build-up of condensation.

5 Accessories

Use original accessories. These have been made especially for your appliance.

Note: Accessories may become deformed if they get hot. Deformation has no effect on function. As the accessory cools down, it will regain its original shape.

The accessories supplied may differ depending on the appliance model.

Accessories		Use
Wire rack		<ul style="list-style-type: none"> ▪ Cookware ▪ Cake tins ▪ Meat, e.g. roasting joints or steak ▪ Frozen meals
Universal pan		<ul style="list-style-type: none"> ▪ Moist cakes ▪ Baked items ▪ Frozen meals ▪ Large roasts <p>Tip: You can use the universal pan to catch dripping fat if you are grilling directly on the wire rack.</p>
Baking tray		<ul style="list-style-type: none"> ▪ Tray bakes ▪ Small baked items
Telescopic rail set		Use the pull-out rails to pull the accessory out further.
Rotary spit		<ul style="list-style-type: none"> ▪ For roasting pieces of meat ▪ For roasting large items of poultry <p>Note: Use only in combination with the enamelled baking tray.</p>
Locking pins		<p>Lock hinges.</p> <p>Note: Do not throw away the locking pins. Store the locking pins in a secure location. You always require the locking pins when you remove the door or door panels from the appliance.</p>

5.1 Other accessories

You can purchase other accessories from our after-sales service, specialist retailers or online.

You will find a comprehensive range of products for your appliance in our brochures and online:

siemens-home.bsh-group.com

Accessories vary from one appliance to another. When purchasing accessories, always quote the exact product number (E no.) of your appliance.

You can find out which accessories are available for your appliance in our online shop or from our after-sales service.

Other accessories	Use
Wire rack	<ul style="list-style-type: none"> ▪ Cookware ▪ Cake tins ▪ Meat, e.g. roasting joints or steak ▪ Frozen meals
Baking tray	<ul style="list-style-type: none"> ▪ Tray bakes ▪ Small baked items

Other accessories	Use
Universal pan	<ul style="list-style-type: none"> ■ Moist cakes ■ Baked items ■ Frozen meals ■ Large roasts
Telescopic rail set	Telescopic rail set for one level

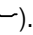
5.2 Locking function

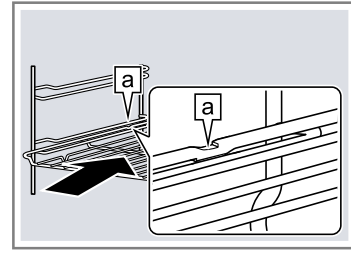
The locking function prevents the accessories from tilting when they are pulled out.

You can pull out the accessory approximately halfway without them tipping. The accessory must always be inserted into the cooking compartment the right way round for the tilt protection to work properly.

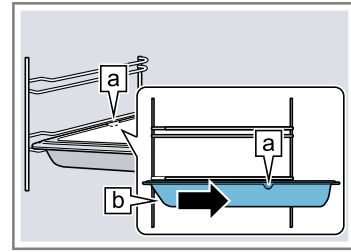
5.3 Sliding accessories into the cooking compartment

1. Turn the accessory in such a way that the notch **a** is at the rear and is facing downwards.
2. Insert the accessory between the two guide rods for a shelf position.

Wire rack
The open side must be facing the appliance door and the curvature must be at the bottom (i.e. ).

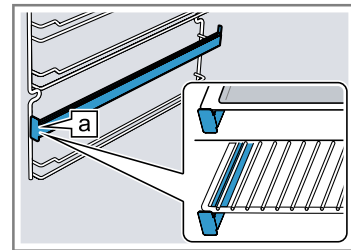


Tray, e.g. universal pan or baking tray
The sloping edge of the accessory **b** must be facing towards the appliance door.



3. To place the accessory at shelf positions with pull-out rails, pull out the pull-out rails.

Wire rack or baking tray
Position the accessory so that its edge is behind the lug **a** on the pull-out rail.



Note: The pull-out rails lock in place when they are fully pulled out. Gently push the pull-out rails back into the cooking compartment.

4. Push the accessory all the way in, making sure that it does not touch the appliance door.

Note: Take any accessories that you will not be using out of the cooking compartment while the appliance is in operation.

6 Before using for the first time

Configure the settings for initial start-up. Clean the appliance and accessories.

6.1 Setting the time

Once the appliance is connected to a power supply,  flashes on the display. Set the time.


1. Use **+** or **-** to set the time.
2. Press **⊙**.

Note: Once the set time has elapsed, the time is automatically saved.

6.2 Cleaning the appliance before using it for the first time

Clean the cooking compartment and accessories before using the appliance to prepare food for the first time.

1. Remove the accessories from the cooking compartment and remove the shelves. → Page 15
2. Completely remove any leftover packaging, e.g. small pieces of polystyrene, from the cooking compartment.
3. Some parts are covered with a protective film. Remove this scratch protection film.

4. Clean the outside of the appliance with a soft, damp cloth.
5. Clean the cooking compartment with hot soapy water.
6. To eliminate the new-appliance smell, heat up the empty appliance with the door closed.
7. Turn the function selector to .
8. Set the maximum temperature.
If you are heating up the appliance for the first time, you may hear crackling noises from the cooking compartment.

9. Ventilate the kitchen while the appliance is heating.
10. Switch off the appliance after 1 hour.
11. Allow the appliance to cool down.
12. Once the cooking compartment has cooled down, clean the smooth surfaces with soapy water.
13. Install the rails. → *Page 15*
14. If necessary, clean the door panels. → *Page 16*

6.3 Cleaning the accessories

- ▶ Clean the accessory thoroughly with soapy water and a soft dish cloth.

7 Basic operation

7.1 Switching on the appliance

1. Use the function selector to set the type of heating.
2. Use the temperature selector to select the temperature.
✓ The appliance starts heating.

Note: The temperature control displays the current heating status.

7.2 Changing the type of heating and temperature

1. Use the function selector to change the type of heating.
2. Use the temperature selector to change the temperature.

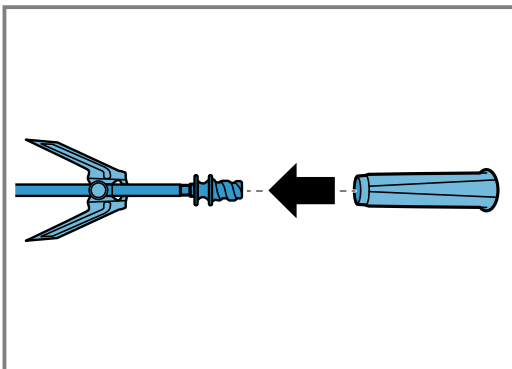
7.3 Switching off the appliance

- ▶ Turn the function selector to the off position.

8 Rotary spit

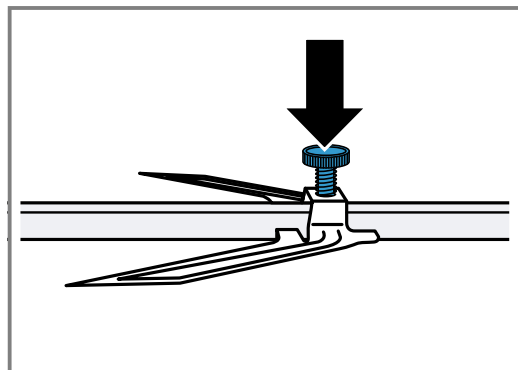
8.1 Preparing the rotary spit

1. Slide a retaining clip onto the rotary spit and screw on the handle.



2. Place the roasting joint into the centre of the rotary spit.
3. Secure the roasting joint using the retaining clips.

4. Secure the retaining clips using the knurled screws.



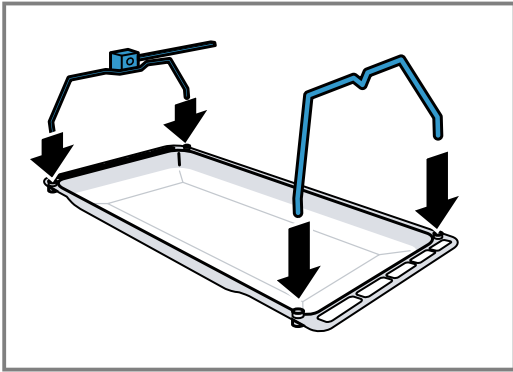
8.2 Inserting the rotary spit

WARNING – Risk of burns!

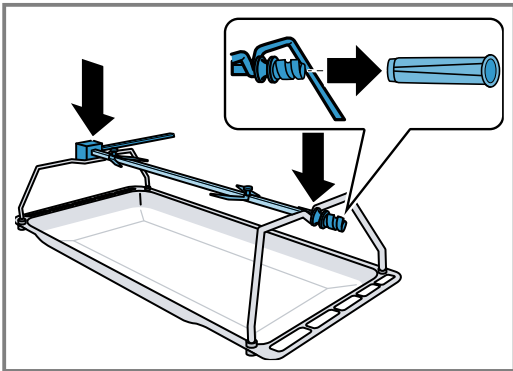
The appliance and its parts that can be touched become hot during use.

- ▶ Caution should be exercised here in order to avoid touching heating elements.
- ▶ Young children under 8 years of age must be kept away from the appliance.

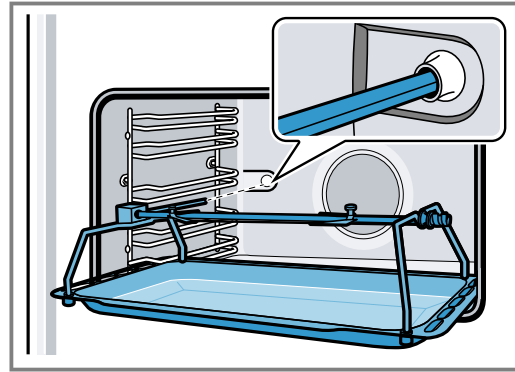
1. Insert the rotary split frame into the threaded bushes.



2. Place the rotary spit onto the rotary spit frame and unscrew the handle.





3. Slide the universal pan into shelf position 1 and place the rotary spit into the motor bracket.



4. Pour some water into the universal pan to better catch any fat that drips out.
5. Close the appliance door.

8.3 Switch on the rotary spit

Note: If you are using the rotary spit, preheat the oven with the  type of heating. Insert the rotary spit before you set the heating function .

1. Set the function selector to .
2. Set the temperature.

8.4 Removing the rotary spit

WARNING – Risk of burns!


The appliance and its parts that can be touched become hot during use.

- ▶ Caution should be exercised here in order to avoid touching heating elements.
 - ▶ Young children under 8 years of age must be kept away from the appliance.
1. Open the appliance door.
 2. Slowly pull out the universal pan until this protrudes halfway out of the cooking compartment.
 3. Pull the universal pan fully out of the cooking compartment and place it on the worktop.
 4. Screw the handle onto the rotary spit.
 5. Remove the rotary spit from the rotary spit frame by the handle.

9 Time-setting options

9.1 Overview of the time-setting options

You can find an overview of the time-setting options here.



Symbol	Time-setting option	Use
	Short-term timer	The short-term timer functions like an egg timer. It runs independently of the appliance when it is in operation and of other time-setting options, and does not affect the appliance.
<i>88:88</i>	Time	When no other function is running in the foreground, the appliance shows you the time of day on the display.

Symbol	Time-setting option	Use
→	Duration	Once the set cooking time has elapsed, the appliance automatically stops heating.
→	End	Enter a cooking time and the required end time. The appliance starts up automatically so that it finishes cooking at the required time.


9.2 Setting the short-term timer

The timer has no influence on the functions of the oven.

Note: You can set the time on the short-term timer from 1 minute up to 23 hours and 59 minutes. You can set the duration in 30-second increments up to 10 minutes, in 1-minute increments from 10 minutes to 1 hour, and then in 5-minute increments.

1. Press .
- ✓  lights up.
2. Use + and – to set the required duration.
- ✓ A signal tone sounds once the time has elapsed.

Notes

- To change the remaining time, press  and use + or – to change the remaining time.
- To cancel the short-term timer, set the remaining time to zero.

Switching off the signal tone

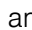
- ▶ Press any button to switch off the signal tone.

Note: After a short time, the signal tone stops automatically.

9.3 Setting the time


If required, you can change the time, e.g. from summer time to winter time.

Requirement: The appliance is switched off.

1. Press and hold  until the time flashes.
2. Use + and – to set the time.

9.4 Setting the duration

You can set the cooking time for your food on your appliance. This prevents the food from accidentally being cooked for too long, and means that you do not have to stop what you are doing to switch off the oven.

1. Set the type of heating and the temperature.
- ✓ The appliance starts.
2. Press  twice.
3. Use + and – to set the duration.

You can set the time from 1 minute up to 23 hours and 59 minutes. You can set the cooking time in 1-minute increments up to 1 hour, and then in 5-minute increments.

- ✓ |→| lights up.



Turning off the operation

When the time has elapsed, a signal tone sounds. The appliance stops heating.

1. Press any button to switch off the signal tone. After a short time, the signal tone stops automatically.
2. Turn the function selector to the off position.

9.5 Setting the end time

Operation starts for the set duration at a later time that is selected by you.

1. Set the type of heating and the temperature.
- ✓ The appliance starts.
2. Press  twice.
3. Use + and – to set the duration. You can set the time from 1 minute up to 23 hours and 59 minutes. You can set the cooking time in 1-minute increments up to 1 hour, and then in 5-minute increments.
- ✓ |→| lights up.
4. Press .
5. Use + or – to set the end time. The first time you press the button, the display shows a default value. This default value is calculated using the current time on the clock and the duration.
- ✓ →| lights up.
- ✓ The display shows the end time. The appliance switches to standby mode.

Turning off the operation

When the time has elapsed, a signal tone sounds. The appliance stops heating.

1. Press any button to switch off the signal tone. After a short time, the signal tone stops automatically.
2. Turn the function selector to the off position.


10 Child safety lock

You can secure your appliance to prevent children from accidentally switching it on or changing the settings.


If you have connected a hob to the oven, the hob is not locked.

10.1 Activating the child safety lock

Requirement: No duration and no end has been set.

- ▶ Press and hold  for approx. 4 seconds.
- ✓ *SAFE* appears on the display.

10.2 Deactivating the child safety lock

- ▶ Press and hold  for approx. 4 seconds.
- ✓ *SAFE* disappears from the display.

11 Cleaning and servicing

To keep your appliance working efficiently for a long time, it is important to clean and maintain it carefully.

11.1 Cleaning products

To avoid damaging the various surfaces on the appliance, do not use any unsuitable cleaning agents.

WARNING – Risk of electric shock!

An ingress of moisture can cause an electric shock.

- ▶ Do not use steam- or high-pressure cleaners to clean the appliance.

ATTENTION!

Unsuitable cleaning agents damage the surfaces of the appliance.

- ▶ Do not use harsh or abrasive cleaning products.
- ▶ Do not use cleaning products with a high alcohol content.

- ▶ Do not use hard scouring pads or cleaning sponges.
- ▶ Do not use any special cleaners for cleaning the appliance while it is hot.
- ▶ Only use glass cleaners, glass scrapers or stainless steel care products if recommended in the cleaning instructions for the relevant part.

Using oven cleaner in a hot cooking compartment damages the enamel.

- ▶ Never use oven cleaner in the cooking compartment when it is still warm.
- ▶ Remove all food remnants from the cooking compartment and the appliance door before you next heat up the appliance.

Salt contained in new sponge cloths may damage surfaces.

- ▶ Wash new sponge cloths thoroughly before use.

11.2 Suitable cleaning agents

Only use cleaning agents that are suitable for the different surfaces on your appliance.

Appliance exterior

Follow the instructions on cleaning the appliance.

Area	Suitable cleaning agents	Information
Stainless steel front	<ul style="list-style-type: none"> ■ Hot soapy water ■ Special stainless steel cleaning products suitable for hot surfaces 	To prevent corrosion on stainless steel fronts, remove any limescale, grease, starch and albumin (e.g. egg white) stains immediately. Apply a thin layer of the stainless steel cleaning product.
Control panel	Hot soapy water	Clean with a dishcloth and dry with a soft cloth. Do not use glass cleaner or a glass scraper.
Door panels	Hot soapy water	Clean with a dishcloth and dry with a soft cloth. Do not use a glass scraper or steel wool.
Door handle	Hot soapy water	Clean with a dishcloth and dry with a soft cloth. To avoid permanent stains, remove descaling agents from the door handle immediately.

Appliance interior

Area	Suitable cleaning agents	Information
Enamel surfaces	<ul style="list-style-type: none"> ■ Hot soapy water ■ Vinegar solution ■ Oven cleaner 	Clean with a dishcloth and dry with a soft cloth. Soften burnt-on food residues with a damp cloth and soapy water. If there are heavy deposits of dirt, use a stainless steel scouring pad or oven cleaner. Leave the cooking compartment open to dry after cleaning. Note: Food residues may cause white deposits to form. The deposits are not a risk to health and do not affect how the appliance works. You can remove the deposits with lemon juice.
Self-cleaning surfaces		Observe the instructions for the surfaces of the cooking compartment that follow the table. → "Cleaning self-cleaning surfaces", Page 15
Glass cover for the interior lighting	<ul style="list-style-type: none"> ■ Hot soapy water ■ Oven cleaner 	Clean with a dishcloth and dry with a soft cloth. Use oven cleaner to remove very heavy soiling.

Area	Suitable cleaning agents	Information
Door panels	Hot soapy water	Clean with a dishcloth and dry with a soft cloth. Do not use a glass scraper or steel wool. Tip: It is best to clean the door panels together with the cooking compartment. → "Cleaning the cooking compartment", Page 14
Door seal	Hot soapy water	Clean with a dishcloth. Do not remove or scrub the door seal.
Stainless steel door cover	Stainless steel cleaner	Follow the manufacturers' instructions. Do not use glass cleaner or a glass scraper. Do not use stainless steel care products. Tip: It is best to remove the door cover.
Plastic door cover	Hot soapy water	Do not use glass cleaner or a glass scraper. Do not use stainless steel care products. Tip: It is best to remove the door cover.
Rails	Hot soapy water	Soak and clean using a dishcloth or brush.
Pull-out system	Hot soapy water	Clean with a dishcloth or brush. Clean the pull-out rails while they are pushed in so that you do not remove the lubricant. Do not clean in the dishwasher.
Accessories	Hot soapy water	Soak and clean using a dishcloth or brush. If the accessory is heavily soiled, clean it with steel wool. Tip: You can clean enamelled accessories in the dishwasher.

Notes

- Slight differences in colour on the front of the appliance are caused by the use of different materials, such as glass, plastic and metal.
- Shadows on the door panels, which look like streaks, are caused by reflections made by the interior lighting.
- Enamel is baked on at very high temperatures. This may cause some slight colour variation. The colour differences are normal and do not affect the functionality. The edges of thin trays cannot be completely enamelled and may therefore be rough. This does not impair the corrosion protection.

11.3 Cleaning the appliance

Clean the appliance as specified. This will ensure that the different parts and surfaces of the appliance are not damaged by incorrect cleaning or unsuitable cleaning products.

⚠ WARNING – Risk of burns!

The appliance and its parts that can be touched become hot during use.

- ▶ Caution should be exercised here in order to avoid touching heating elements.
- ▶ Young children under 8 years of age must be kept away from the appliance.

⚠ WARNING – Risk of fire!

Loose food remnants, fat and meat juices may catch fire.

- ▶ Before using the appliance, remove the worst of the food residues and remnants from the cooking compartment, heating elements and accessories.

Requirement: Read the information on cleaning products.

→ "Cleaning products", Page 13

1. Clean the appliance using hot soapy water and a dish cloth.
For some surfaces, you can use alternative cleaning agents.

→ "Suitable cleaning agents", Page 13

2. Dry with a soft cloth.

Tips

- If you clean the cooking compartment after each use, dirt cannot burn on.
- Always remove limescale, grease, starch or albumin stains immediately.

Note: Use the universal pan for baking very moist cakes.

Tip: To keep the cooking compartment clean, use suitable ovenware for roasting, e.g. a roasting dish.


11.4 Cleaning the cooking compartment

⚠ WARNING – Risk of burns!

The appliance and its parts that can be touched become hot during use.

- ▶ Caution should be exercised here in order to avoid touching heating elements.
- ▶ Young children under 8 years of age must be kept away from the appliance.

Requirement: The cooking compartment has cooled down completely.

1. Pour 0.4 l of water into the centre of the cooking compartment floor.
Do not use distilled water.
2. Use the function selector to set .
3. Use the temperature selector to set the temperature to 50°C.

4. While cleaning, check that the water that is condensed in the drip trough below the appliance door does not overflow.
 - If required, mop up the liquid with a sponge.
5. Switch off the appliance after 18 minutes.
6. Allow the appliance to cool down.
7. Clean the cooking compartment with a cloth.

11.5 Cleaning self-cleaning surfaces

The self-cleaning surfaces are coated with a porous, matte ceramic layer. This coating absorbs and dispels splashes from baking and roasting while the appliance is in operation.

Requirement: The cooking compartment has cooled down.

- ▶ Brownish or whitish residues can be removed with water and a soft sponge.

Note: Marks may appear on the self-cleaning surfaces. Residues of sugars and proteins in the food are not removed and stick to the surfaces. Red stains are residues from salty food – they are not rust. The marks are not hazardous to health. These marks do not impair the cleaning ability of the self-cleaning surfaces.

11.6 Replacing the cooking compartment bulb

If the cooking compartment light has failed, replace the cooking compartment bulb.

Note: Heat-resistant, 230 V, 40 W, G9 halogen bulbs are available from customer service or specialist retailers. Only use these bulbs. Hold the new halogen bulbs only with a clean, dry towel. This increases the service life of the bulb.

⚠ WARNING – Risk of burns!

The appliance and its parts that can be touched become hot during use.

- ▶ Caution should be exercised here in order to avoid touching heating elements.
- ▶ Young children under 8 years of age must be kept away from the appliance.

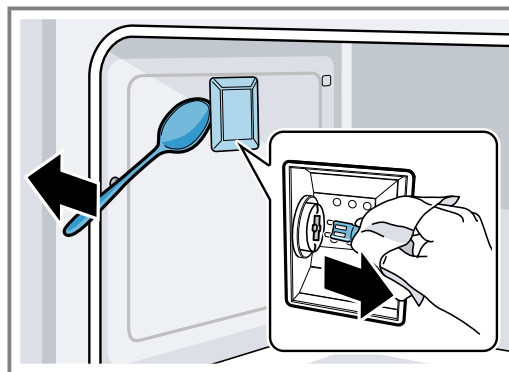
⚠ WARNING – Risk of electric shock!

When changing the bulb, the bulb socket contacts are live.

- ▶ Before replacing the bulb, ensure that the appliance is switched off in order to prevent a potential electric shock.
- ▶ Also unplug the appliance from the mains or switch off the circuit breaker in the fuse box.

Requirements

- The fuse has been switched off.
 - The cooking compartment has cooled down.
 - You must have a new halogen lamp to replace the old one.
1. Open the appliance door.
 2. Place a tea towel in the cooking compartment to prevent damage.
 3. Remove the accessories from the cooking compartment and remove the shelves. → *Page 15*
 4. Remove the glass cover.
 - If the glass cover is difficult to remove by hand, use a spoon to help you.
 5. Pull out the cooking compartment bulb.



6. Replace the cooking compartment bulb with one of the same type.
7. Refit the glass cover for the oven light bulb.
8. Install the rails. → *Page 15*
9. Remove the tea towel again.
10. Switch on the fuse again.
11. Check that the oven lighting is working again.

12 Rails

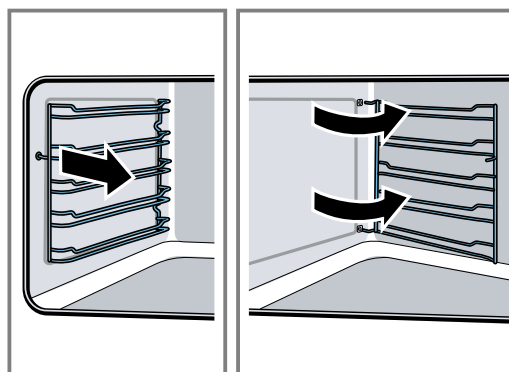
To thoroughly clean the rails and the cooking compartment, or to replace the rails, you can remove the rails.

12.1 Detaching the rails

The rails are each fixed to the side panels of the cooking compartment at 3 points.

1. Grip the front of the rail and pull it round to the middle of the cooking compartment.
 - ✓ The front hook of the rail comes out of the hole.

2. Swing the rail round further and pull it out of the rear holes in the side panel.



3. Remove the rail from the cooking compartment.

12.2 Attaching the rails

1. Insert the hooks of the rail into the rear holes in the side panel.
2. Push the front hook of the rail into the hole.

13 Appliance door

With good care and cleaning, your appliance retains its appearance and remains fully functioning for a long time to come. This will tell you how to clean the appliance door.

Note: To ensure that the appliance door does not come into contact with the fitted unit, the appliance door opens slightly less than 90°.

13.1 Removing the door panels

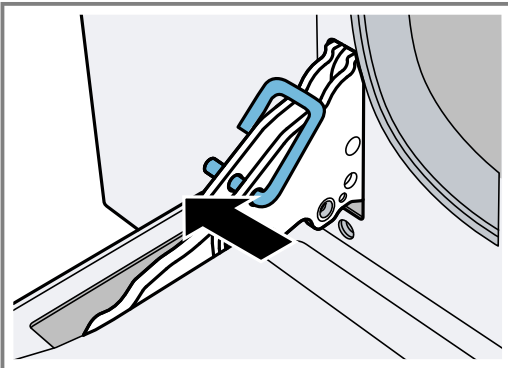
To facilitate cleaning, you can remove the glass panels from the appliance door.

⚠ WARNING – Risk of injury!

Scratched glass in the appliance door may develop into a crack.

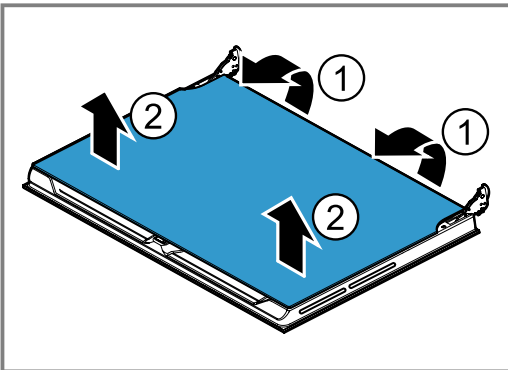
- ▶ Do not use any harsh or abrasive cleaners or sharp metal scrapers to clean the glass on the oven door, as they may scratch the surface.

1. Open the appliance door fully.
2. Use the security pins to lock the left- and right-hand hinges.



The locking pins must be fully inserted into the holes in the hinges.

3. Use both hands to lift the lower section of the inner panel until the fastening pins come out of the holder. ①
4. Carefully lift the top section of the inner panel until the fastening pins come out of the holder. ②



5. Lift out the inner panel and set it down carefully on a flat surface.

6. Clean the door panels with glass cleaner and a soft cloth.

13.2 Fitting the door panels

1. Insert the inner panel.
All four fastening pins must engage in the holders provided for them.
2. Remove the locking pins and close the appliance door.

Note: Do not throw away the locking pins. Store the locking pins in a secure location. You always require the locking pins when you remove the door or door panels from the appliance. If you do not have any locking pins, you can order these from customer service.

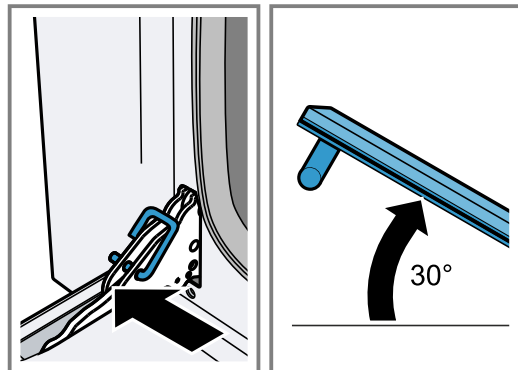
13.3 Detaching the appliance door

If it is particularly dirty, you can remove the appliance door to clean it more thoroughly.

1. Open the appliance door fully.
2. Use the security pins to lock the left- and right-hand hinges.

The locking pins must be fully inserted into the holes in the hinges.

3. Grip the appliance door on either side with both hands and close it by approx. 30 degrees.



Do not close the appliance door fully. The hinges could become bent and the enamel could be damaged.

4. Lift the appliance slightly and pull it out completely.

13.4 Attaching the appliance door

⚠ WARNING – Risk of injury!

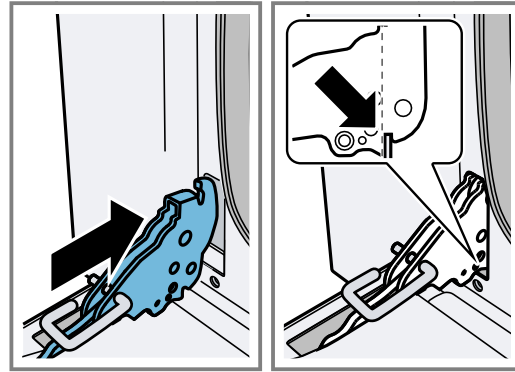
If the hinges are not secured due to an incomplete lock, they can snap shut with great force.

- ▶ If the hinge snaps shut when detaching or attaching the appliance door, do not reach into the hinge.
- ▶ Call customer service.

If a door pane or appliance door has not been installed correctly, this is dangerous.

- ▶ Make sure that all of the door panes and the appliance door have been correctly fitted before you switch the appliance back on again.
1. Grip the appliance door on either side with both hands.

2. Slide the hinges into the slots in the appliance.



The notch below the hinges must engage into the frame of the appliance.

3. Lower the appliance door downwards.
4. Remove the locking pins.

Note: Do not throw away the locking pins. Store the locking pins in a secure location. You always require the locking pins when you remove the door or door panels from the appliance. If you do not have any locking pins, you can order these from customer service.

14 Troubleshooting

You can rectify minor faults on your appliance yourself. Read the troubleshooting information before contacting after-sales service. This will avoid unnecessary costs.

⚠ WARNING – Risk of injury!

Improper repairs are dangerous.

- ▶ Repairs to the appliance should only be carried out by trained specialist staff.
- ▶ If the appliance is defective, call Customer Service.
→ "Customer Service", Page 18

⚠ WARNING – Risk of electric shock!

Improper repairs are dangerous.

- ▶ Repairs to the appliance should only be carried out by trained specialist staff.
- ▶ Only use genuine spare parts when repairing the appliance.
- ▶ If the power cord of this appliance is damaged, it must be replaced by the manufacturer, the manufacturer's Customer Service or a similarly qualified person in order to prevent any risk.

14.1 Malfunctions

Fault	Cause and troubleshooting
The appliance is not working.	The mains plug of the power cord is not plugged in. ▶ Connect the appliance to the power supply.
	There has been a power cut. ▶ Check whether the lighting in your room or other appliances are working.
	The circuit breaker in the fuse box has tripped. ▶ Check the circuit breaker in the fuse box.
The appliance does not start.	The appliance door is not fully closed. ▶ Close the appliance door.
	The appliance is not switched off. ▶ Switch the appliance off and then on again.
12:00 flashes on the display.	There has been a power cut. ▶ Set the time. → "Before using for the first time", Page 9
The interior lighting does not work.	"Top/bottom heating gentle" mode is activated. ▶ In this operating mode, the interior lighting is switched off.

Fault	Cause and troubleshooting
The interior lighting does not work.	The cooking compartment bulb is defective. ▶ Change the cooking compartment bulb. → "Replacing the cooking compartment bulb", Page 15
Dishes that are cooked in the oven burn in a short time.	The thermostat is faulty. ▶ Call → "Customer Service", Page 18.
Door panels are steamed up.	Normal occurrence caused by temperature differences. ▶ Heat the appliance up to 100 °C and switch the appliance off after 5 minutes.
The appliance is switched on but cannot be operated. SAFE lights up on the display.	The child safety lock is activated. ▶ Deactivate the child safety lock. → "Deactivating the child safety lock", Page 13
The display has frozen or does not respond.	The child safety lock is activated. ▶ Deactivate the child safety lock. → "Deactivating the child safety lock", Page 13
	Malfunction 1. Switch off the fuse in the fuse box. 2. Switch the fuse on after approx. 10 seconds. 3. If the malfunction occurs again, call customer service.
Condensation water on the appliance door or condensation water is dripping.	The appliance door does not close correctly. ▶ Check whether the appliance door is installed correctly and closes correctly. → "Appliance door", Page 16
	Dirt on the seal. 1. Check whether the seal is dirty, damaged or seated incorrectly. 2. Clean or replace the seal, or ensure that it is seated correctly.
	Normal condensation. → "Condensation", Page 7

15 Disposal

15.1 Disposing of old appliance

Valuable raw materials can be reused by recycling.

- ▶ Dispose of the appliance in an environmentally friendly manner.
Information about current disposal methods are available from your specialist dealer or local authority.



This appliance is labelled in accordance with European Directive 2012/19/EU concerning used electrical and electronic appliances (waste electrical and electronic equipment - WEEE).

The guideline determines the framework for the return and recycling of used appliances as applicable throughout the EU.

16 Customer Service

Detailed information on the warranty period and terms of warranty in your country is available from our after-sales service, your retailer or on our website.

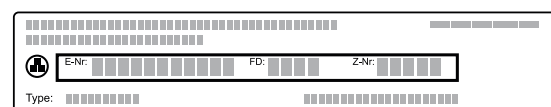
If you contact Customer Service, you will require the product number (E-Nr.) and the production number (FD) of your appliance.

The contact details for Customer Service can be found in the enclosed Customer Service directory or on our website.

This product contains light sources from energy efficiency class G.

16.1 Product number (E-Nr.) and production number (FD)

You can find the product number (E-Nr.) and the production number (FD) on the appliance's rating plate. You will see the rating plate with these numbers if you open the appliance door.



Make a note of your appliance's details and the Customer Service telephone number to find them again quickly.

17 How it works

You can find a selection of tips about cookware and preparing meals here.

17.1 What is the best way to proceed?

ATTENTION!

Acidic food may damage the grid

- ▶ Do not place acidic food, such as fruit or food with an acidic marinade directly on the pan support.

Note: Information for those allergic to nickel

In rare cases, small amounts of nickel may pass into the food.

1. Before using the appliance, remove all unnecessary cookware from the cooking compartment.
2. Select the desired food from the recommended settings.
3. Place the food in suitable cookware. Use the accessory provided.
4. Only preheat the appliance if the recipe or the recommended settings tell you to do so. Do not line the accessory with greaseproof paper until after it has been preheated.
5. Set the appliance in accordance with the recommended settings. Set the shorter cooking time first. If required, increase the duration.
6. Always keep the appliance door closed when cooking.












17.2 Baking tips

We have compiled a few tips to help you achieve a good baking result.

Issue	Tip
You want your cake to rise evenly.	<ul style="list-style-type: none"> ▪ Only grease the base of the springform cake tin. ▪ After baking, use a knife to carefully loosen the cake from the baking tin.
You do not want small baked items to stick to each other when baking.	Leave a minimum clearance of 2 cm around each item to be baked. This allows enough space for the baked items to expand and brown on all sides.
Determine whether the cake is ready.	Push a cocktail stick into the highest point on the cake. If no dough sticks to the wood, the cake is ready.
You want to bake using your own recipe.	Use similar items in the baking tables as a guide.
Use bakeware made of silicone, glass, plastic or ceramic.	<ul style="list-style-type: none"> ▪ The bakeware must be heat-resistant up to 250 °C. ▪ Cakes in this bakeware brown less.

17.3 Food table

You can find an overview of the food here.

Food	Weight in kg	Shelf position	Type of heating	Temperature in °C	Duration in mins
Lasagne	3 – 4	1		220 – 230 ¹	45 – 50
Pasta bake	3 – 4	1		220 – 230 ¹	45 – 50
Joint of veal	2	2		180 – 190 ¹	90 – 100
Pork loin	1.5	2		190 – 200 ¹	90 – 100
Pork loin	2	2		200 ¹	120
Sausages	1.5	3		220 ¹	1st side: 10 2nd side: 5
Roast beef	1	2		200 ¹	40 – 45
Roast rabbit	1.5	2		180 – 190 ¹	70 – 80
Turkey breast	2	2		180 – 190 ¹	110 – 120
Pork neck joint	2 – 3	2		180 – 190 ¹	170 – 180
Roast chicken	1.2	2		180 – 190 ¹	65 – 70

¹ Preheat the appliance.

Food	Weight in kg	Shelf position	Type of heating	Temperature in °C	Duration in mins
Pork chops	1.5	4		220 ¹	1st side: 15 2nd side: 5
Spare ribs	1.5	4		220 ¹	1st side: 15 2nd side: 10
Bacon	0.7	5		250 ¹	1st side: 10 2nd side: 8
Fillet of pork	1.5	4		220 ¹	1st side: 12 2nd side: 5
Fillet of beef	1	5		220 ¹	1st side: 10 2nd side: 7
Rainbow trout	1.2	2		150 – 160 ¹	35 – 40
Monkfish	1.5	2		160 ¹	60 – 65
Turbot	1.5	2		160 ¹	45 – 50
Pizza	1	1		250 ¹	8 – 9
Bread	1	2		190 – 200 ¹	25 – 30
Focaccia	1	2		180 – 190 ¹	20 – 25
Bundt cake	1	2		160 ¹	55 – 60
Fruit pie	1	2		160 ¹	35 – 40
Cheesecake	1	2		160 – 170 ¹	45 – 55
Short-crust pastry	1	2		160 – 170 ¹	35 – 40
Short-crust pastry	1	1		170 ¹	55
Parfait cake	1.2	2		160 ¹	55 – 60
Cream puffs	1.2	2		180 ¹	80 – 90
Sponge cake	1	2		150 – 160 ¹	55 – 60
Rice pudding	1	2		160 ¹	55 – 60
Brioche	1.2	2		160 ¹	30 – 35

¹ Preheat the appliance.

17.4 Tips for next time you bake

If something goes wrong when baking, you can find some tips here.

Issue	Tip
Your cake collapses.	<ul style="list-style-type: none"> Note the ingredients and preparation instructions that are given in the recipe. Use less liquid. Or: Reduce the baking temperature by 10 °C and increase the baking time.
Your cake is too dry.	Increase the baking temperature by 10 °C and shorten the baking time.
Your cake is generally too light in colour.	<ul style="list-style-type: none"> Check the shelf position and accessory. Increase the baking temperature by 10 °C. Or: Increase the baking time.

Issue	Tip
Your whole cake is too dark.	Reduce the baking temperature and increase the baking time.
Your cake is too light on top and too dark underneath.	Place the cake one level higher in the cooking compartment.
Your cake is too dark on top and too light underneath.	<ul style="list-style-type: none"> Place the cake one level lower in the cooking compartment. Reduce the baking temperature and increase the baking time
Your cake is unevenly browned.	<ul style="list-style-type: none"> Reduce the baking temperature. Cut the greaseproof paper to a suitable size. Position the baking tin in the centre. Shape small baked goods to be the same size and thickness.

Issue	Tip
Your cake is cooked on the outside but is not fully baked through on the inside.	<ul style="list-style-type: none"> Reduce the baking temperature and increase the baking time. Add less liquid. For cakes with a moist topping: <ul style="list-style-type: none"> Pre-bake the base. Sprinkle the baked base with almonds or breadcrumbs. Place the topping on the base.
The cake will not come out of the tin when turned upside down.	<ul style="list-style-type: none"> Allow the cake to cool for 5 - 10 minutes after baking. Use a knife to carefully loosen the edge of the cake. Turn the cake tin upside down again and cover it several times with a cold, wet cloth. Next time you bake, grease the baking tin/dish and sprinkle it with breadcrumbs.

17.5 Tips for next time you roast

If roasting is not successful the first time, you can find some tips here.

Issue	Tip
Your roast is too dark and the crackling is partly burnt.	<ul style="list-style-type: none"> Select a lower temperature. Reduce the roasting time.

Issue	Tip
Your roast is too dry.	<ul style="list-style-type: none"> Select a lower temperature. Reduce the roasting time.
The crackling on your roast is too thin.	<ul style="list-style-type: none"> Increase the temperature. Or: <ul style="list-style-type: none"> Switch on the grill briefly at the end of the roasting time.
Your roasting juices are burnt.	<ul style="list-style-type: none"> Select a smaller item of cookware. When roasting, add more liquid.
Your roasting juices are too clear and watery.	<ul style="list-style-type: none"> Use a larger item of cookware so that more liquid evaporates. When roasting, add less liquid.
The meat catches during braising.	<ul style="list-style-type: none"> Check whether the roasting dish and lid fit together and close properly. Reduce the temperature. Add liquid when braising.
Your roast is not well-done enough.	<ul style="list-style-type: none"> Carve the meat into portions. Prepare the juices in the roasting dish. Place the sliced meat in the juices. Place the slices of meat in the microwave to finish cooking.

18 Installation instructions

Observe this information when installing the appliance.



⚠️ 18.1 Safe installation

Follow these instructions before you start installing the appliance.

⚠️ WARNING – Risk of fire!

It is dangerous to use an extended power cord and non-approved adapters.

- ▶ Do not use multiple socket strips.

- ▶ Only use extension cables that are certified, have a minimum cross section of 1.5 mm² and comply with the applicable national safety requirements.
- ▶ If the power cord is too short and a longer one is not available, please contact an electrician to have the domestic installation adapted.
- ▶ Only use adapters and power cords approved by the manufacturer.

ATTENTION!

Carrying the appliance by the door handle could break it. The door handle cannot support the weight of the appliance.

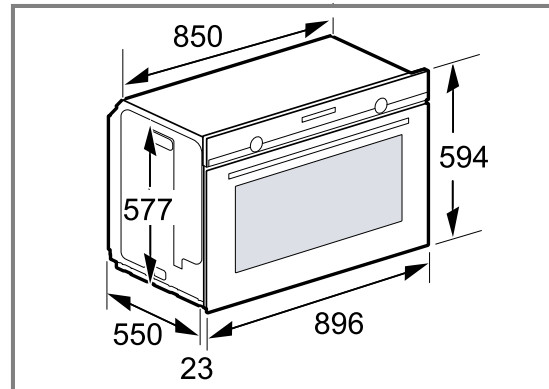
- ▶ Do not carry or hold the appliance by the door handle.

- The safe operation of this appliance can only be guaranteed if it has been installed to a professional standard in accordance with these installation instructions. The installer shall be liable for damages incurred as a result of incorrect installation.
- Check the appliance for damage after unpacking it. Do not connect the appliance if it has been damaged in transit.
- Before starting up the appliance, remove any packaging material and adhesive film from the cooking compartment and the door.
- Proceed in accordance with the installation sheets for installing accessories.
- Fitted units must be heat-resistant up to 90 °C, and adjacent unit fronts up to 70 °C.
- Do not install the appliance behind a decorative panel or unit door. There is a risk of overheating.
- Cut-out work on the units should be carried out before installing the appliance. Remove any shavings. Otherwise, the correct operation of electrical components may be adversely affected.
- The mains socket for the appliance must be located outside of the area where the appliance is installed.
- Always earth electrical appliances.
- Wear protective gloves so that you do not cut yourself. Parts that are accessible during installation may have sharp edges.

- Dimensions of the figures in mm.

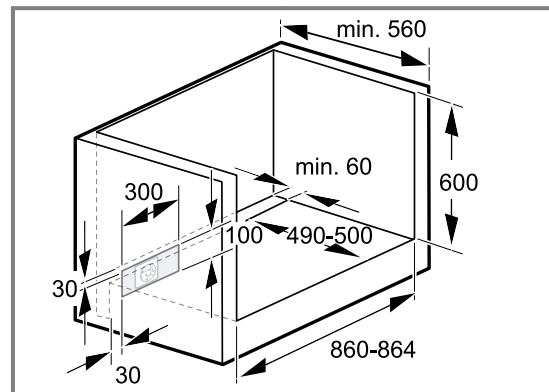
18.2 Appliance dimensions

You will find the dimensions of the appliance here



18.3 Installation below a worktop

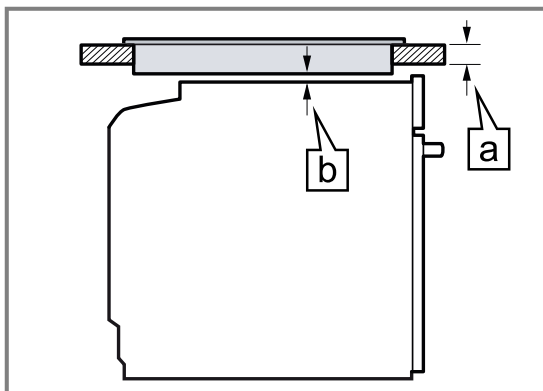
Observe the installation dimensions and the safety clearances when installing below a worktop.



To ventilate the appliance, the intermediate floor must have a ventilation cut-out.

18.4 Installing below a hob

If the appliance is installed below a hob, the following minimum dimensions must be adhered to (including substructure, if applicable).



The minimum worktop thickness **a** is determined by the required minimum clearance **b**.

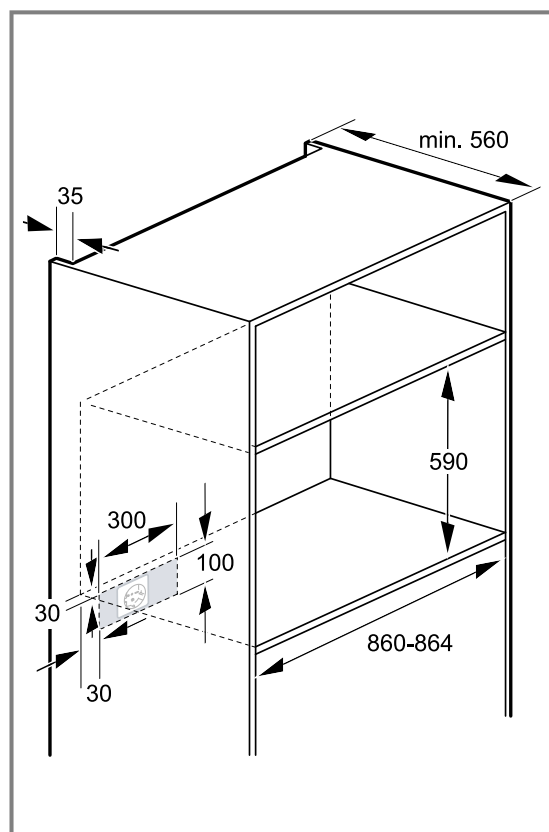
Hob type	a raised in mm	a flush in mm	b in mm
Induction hob	37	38	5
Full-surface induction hob	58	58	5

Hob type	a raised in mm	a flush in mm	b in mm
Gas hob	27	38	5
Electric hob	27	30	2

Secure the worktop to the built-in unit. Observe the installation instructions for the hob.

18.5 Installation in a tall unit

Observe the installation dimensions and the safety clearances in a tall unit.



- Ensure that the intermediate floor has a gap to the installation wall in order to ventilate the appliance.
- If the tall unit has another back panel in addition to the element back panels, this must be removed.
- Only fit the appliance up to a height which allows accessories to be easily removed.

Appliance connected loads

You can select a different connection depending on the appliance model. In this case, you must connect the appliance on the rear of the appliance using the power cord in accordance with the connection diagram. Ensure that the power cord corresponds to H05VV-F or higher. Determine which wire cross section you require in accordance with the current load. If required, install copper bridges. Incorrect connections may damage the appliance.

Appliance connected load	Min. fuse protection at 1~	Min. fuse protection at 2/3 N~
3.3 kW	16 A	
4.2 kW	20 A	12 A

18.8 Installing the appliance

- Slide the appliance and centre it.

18.6 Installing two appliances on top of each other

Your appliance can also be installed above another appliance.

18.7 Electrical connection

In order to safely connect the appliance to the electrical system, follow these instructions.

- The fuse protection must correspond to the power rating specified on the appliance's rating plate and to local regulations.
- The appliance corresponds to protection class I and must only be operated with a protective earth connection.
- The appliance must be disconnected from the power supply whenever installation work is being carried out.
- Contact protection must be ensured by the installation.
- Only a licensed professional may connect appliances without plugs. They are subject to the requirements of the local electricity provider.

Electrically connecting an appliance without a protective contact plug

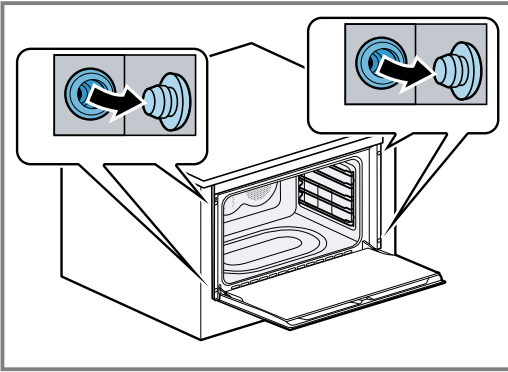
Note: Only licensed specialists may connect the appliance. Damage caused by incorrect connection is not covered under the warranty.

An isolating switch must be integrated into the permanent electrical installation according to the installation regulations.

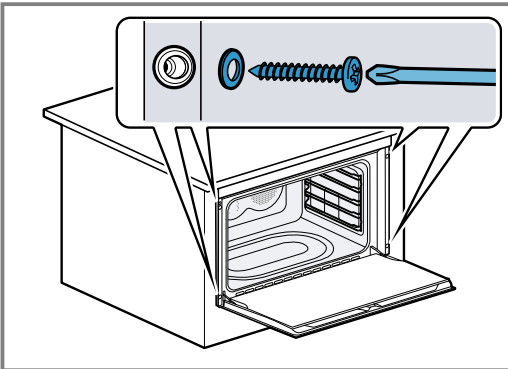
- Identify the phase and neutral conductors in the socket.
The appliance may be damaged if it is not connected correctly.
- Only connect the appliance to a mains voltage between 220 und 240 V.
- Connect the wires of the mains power cable according to the colour coding:
 - Green/yellow = Conductor \oplus
 - Blue = Neutral conductor
 - Brown = Phase (external conductor)

- Do not kink the connection cable.
- Open the oven door completely.

3. Remove the cover.



4. Screw the appliance tightly onto the unit.



5. Put the protective cover on.

Note: Never close the gap between the worktop and the appliance using additional battens.

18.9 Removing the appliance

1. Disconnect the appliance from the power supply.
2. Undo the fastening screws.
3. Lift the appliance slightly and pull it out completely.

EN Manufactured by BSH Hausgeräte GmbH under the trademark licence of Siemens AG

Valid within Great Britain:
Imported to Great Britain by
BSH Home Appliances Ltd.
Grand Union House
Old Wolverton Road
Wolverton, Milton Keynes
MK12 5PT
United Kingdom

BSH Hausgeräte GmbH
Carl-Wery-Straße 34
81739 München, GERMANY
siemens-home.bsh-group.com



9001867901

(030710)

en