



Register your
new device on
MyBosch now and
get free benefits:
[bosch-home.com/
welcome](https://bosch-home.com/welcome)



Oven

VBC514CR0

[en]	User manual and installation instructions	2
[fr]	Manuel d'utilisation et notice d'installation	25
[pt]	Manual do utilizador e instruções de instalação	49

Table of contents

INFORMATION FOR USE

1	Safety	2
2	Preventing material damage	4
3	Environmental protection and saving energy	5
4	Familiarising yourself with your appliance	6
5	Accessories	8
6	Before using for the first time	9
7	Basic operation	10
8	Rotary spit	10
9	Time-setting options	11
10	Child safety lock	12
11	Cleaning and servicing	12
12	Rails	15
13	Appliance door	15
14	Troubleshooting	17
15	Disposal	18
16	Customer Service	18
17	How it works	18
18	INSTALLATION INSTRUCTIONS	21
18.1	Safe installation	21

1 Safety

Observe the following safety instructions.

1.1 General information

- Read this instruction manual carefully.
- Keep the instruction manual and the product information safe for future reference or for the next owner.
- Do not connect the appliance if it has been damaged in transit.

1.2 Intended use

This appliance is designed only to be built into kitchen units. Read the special installation instructions.

Only a licensed professional may connect appliances without plugs. Damage caused by incorrect connection is not covered under the warranty.

Only use this appliance:

- To prepare meals and drinks.
- in private households and in enclosed spaces in a domestic environment.
- up to an altitude of max. 2000 m above sea level.

Do not use the appliance:

- with an external timer or a remote control.

1.3 Restriction on user group

This appliance may be used by children aged 8 or over and by people who have reduced physical, sensory or mental abilities or inadequate experience and/or knowledge, provided that they are supervised or have been instructed on how to use the appliance safely and have understood the resulting dangers.

Do not let children play with the appliance.

Children must not perform cleaning or user maintenance unless they are at least 15 years old and are being supervised.

Keep children under the age of 8 years away from the appliance and power cable.

1.4 Safe use

Always place accessories in the cooking compartment the right way round.

→ "Accessories", Page 8

WARNING – Risk of fire!

Combustible objects that are left in the cooking compartment may catch fire.

- ▶ Never store combustible objects in the cooking compartment.
- ▶ If smoke is emitted, the appliance must be switched off or the fuse must be switched off and the door must be held closed in order to stifle any flames.

Loose food remnants, fat and meat juices may catch fire.

- ▶ Before using the appliance, remove the worst of the food residues and remnants from the cooking compartment, heating elements and accessories.

Opening the appliance door creates a draught. Greaseproof paper may come into contact with the heating element and catch fire.

- ▶ Never place greaseproof paper loosely over accessories when preheating the appliance and while cooking.
- ▶ Always cut greaseproof paper to size and use a plate or baking tin to hold it down.

⚠ WARNING – Risk of burns!

The appliance and its parts that can be touched become hot during use.

- ▶ Caution should be exercised here in order to avoid touching heating elements.
- ▶ Young children under 8 years of age must be kept away from the appliance.

Accessories and cookware get very hot.

- ▶ Always use oven gloves to remove accessories or cookware from the cooking compartment.

When the cooking compartment is hot, any alcoholic vapours inside may catch fire. The appliance door may spring open. Hot steam and jets of flame may escape.

- ▶ Only use small quantities of drinks with a high alcohol content in food.
- ▶ Do not heat spirits ($\geq 15\%$ vol.) when undiluted (e.g. for marinating or pouring over food).
- ▶ Open the appliance door carefully.

The telescopic shelves become hot when the appliance is in use.

- ▶ Allow hot telescopic shelves to cool down before touching them.
- ▶ Only touch hot telescopic shelves with oven gloves.

⚠ WARNING – Risk of scalding!

The accessible parts of the appliance become hot during operation.

- ▶ Never touch these hot parts.
- ▶ Keep children at a safe distance.

Hot steam may escape when you open the appliance door. Steam may not be visible, depending on the temperature.

- ▶ Open the appliance door carefully.
- ▶ Keep children at a safe distance.

If there is water in the cooking compartment when it is hot, this may create hot steam.

- ▶ Never pour water into the cooking compartment when the cooking compartment is hot.

⚠ WARNING – Risk of injury!

Scratched glass in the appliance door may develop into a crack.

- ▶ Do not use any harsh or abrasive cleaners or sharp metal scrapers to clean the glass on the oven door, as they may scratch the surface.

The appliance and its parts that can be touched may have sharp edges.

- ▶ Take care when handling and cleaning them.
- ▶ If possible, wear protective gloves.

The hinges on the appliance door move when the door is opened and closed, which could trap your fingers.

- ▶ Keep your hands away from the hinges. Components inside the appliance door may have sharp edges.
- ▶ Wear protective gloves.

⚠ WARNING – Risk of electric shock!

Improper repairs are dangerous.

- ▶ Repairs to the appliance should only be carried out by trained specialist staff.
- ▶ Only use genuine spare parts when repairing the appliance.
- ▶ If the power cord of this appliance is damaged, it must be replaced by the manufacturer, the manufacturer's Customer Service or a similarly qualified person in order to prevent any risk.

If the insulation of the power cord is damaged, this is dangerous.

- ▶ Never let the power cord come into contact with hot appliance parts or heat sources.
- ▶ Never let the power cord come into contact with sharp points or edges.
- ▶ Never kink, crush or modify the power cord.

An ingress of moisture can cause an electric shock.

- ▶ Do not use steam- or high-pressure cleaners to clean the appliance.

If the appliance or the power cord is damaged, this is dangerous.

- ▶ Never operate a damaged appliance.
- ▶ Call customer services. → *Page 18*

⚠ WARNING – Risk of suffocation!

Children may put packaging material over their heads or wrap themselves up in it and suffocate.

- ▶ Keep packaging material away from children.
- ▶ Do not let children play with packaging material.

Children may breathe in or swallow small parts, causing them to suffocate.

- ▶ Keep small parts away from children.
- ▶ Do not let children play with small parts.

1.5 Halogen bulb

⚠ WARNING – Risk of burns!

The bulbs in the cooking compartment get very hot. There is still a risk of burning for some time after they have been switched off.

- ▶ Do not touch the glass cover.
- ▶ Avoid contact with your skin when cleaning.

⚠ WARNING – Risk of electric shock!

When changing the bulb, the bulb socket contacts are live.

- ▶ Before replacing the bulb, ensure that the appliance is switched off in order to prevent a potential electric shock.
- ▶ Also switch off the fuse in the fuse box.

2 Preventing material damage

2.1 General

ATTENTION!

Alcoholic vapours may catch fire in the hot cooking compartment and cause permanent damage to the appliance. The appliance door may spring open due to an explosion and it may fall off. The door panels may shatter and fragment. Due to the resulting negative pressure, the cooking compartment may become considerably deformed inwards.

- ▶ Do not heat spirits ($\geq 15\%$ vol.) when undiluted (e.g. for marinating or pouring over food).

If there is water on the cooking compartment floor when operating the appliance at temperatures above $120\text{ }^{\circ}\text{C}$, this will damage the enamel.

- ▶ Do not use the appliance if there is water on the cooking compartment floor.
- ▶ Wipe away any water on the cooking compartment floor before operation.

Objects on the cooking compartment floor at over $50\text{ }^{\circ}\text{C}$ will cause heat to build up. The baking and roasting times will no longer be correct and the enamel will be damaged.

- ▶ Do not place any accessories, greaseproof paper or foil of any kind on the cooking compartment floor.
- ▶ Only place cookware on the cooking compartment floor if a temperature under $50\text{ }^{\circ}\text{C}$ has been set.

When the cooking compartment is hot, any water inside it will create steam. The change in temperature may cause damage.

- ▶ Never pour water into the cooking compartment when it is still hot.
- ▶ Never place cookware containing water on the cooking compartment floor.

The prolonged presence of moisture in the cooking compartment leads to corrosion.

- ▶ Always wipe away the condensation after cooking. Always allow the cooking compartment to cool down with the door closed after cooking at high temperatures.

- ▶ Do not keep moist food in the cooking compartment for a long time with the door closed.
- ▶ Do not store food in the cooking compartment.
- ▶ Take care not to trap anything in the appliance door.

Fruit juice dripping from the baking tray leaves stains that cannot be removed.

- ▶ When baking very juicy fruit flans, do not pack too much on the baking tray.
- ▶ If possible, use the deeper universal pan.

Using oven cleaner in a hot cooking compartment damages the enamel.

- ▶ Never use oven cleaner in the cooking compartment when it is still warm.
- ▶ Remove all food remnants from the cooking compartment and the appliance door before you next heat up the appliance.

If the seal is very dirty, the appliance door will no longer close properly during operation. This may damage the front of adjacent kitchen units.

- ▶ Keep the seal clean at all times.
- ▶ Never operate the appliance if the seal is damaged or missing.

Sitting or placing objects on the appliance door may damage it.

- ▶ Do not place, hang or support objects on the appliance door.
- ▶ Do not place cookware or accessories on the appliance door.

With certain models, accessories may scratch the door pane when closing the appliance door.

- ▶ Always push accessories fully into the cooking compartment.

If aluminium foil comes into contact with the door pane, it could cause permanent discolouration.

- ▶ Do not allow aluminium foil in the cooking compartment to come into contact with the door pane.

3 Environmental protection and saving energy

3.1 Disposing of packaging

The packaging materials are environmentally compatible and can be recycled.

- ▶ Sort the individual components by type and dispose of them separately.

3.2 Saving energy

If you follow these instructions, your appliance will use less power.

Only preheat the appliance if the recipe or the recommended settings tell you to do so.

→ "How it works", Page 18

- Not preheating the appliance can reduce the energy used by up to 20%.

Use dark-coloured, black-coated or enamelled baking tins.

- These types of baking tin absorb the heat particularly well.

Open the appliance door as little as possible during operation.

- This maintains the temperature in the cooking compartment and eliminates the need for the appliance to reheat.

When baking multiple dishes, do so in succession or in parallel.

- The cooking compartment is heated after baking the first dish. This reduces the baking time for the subsequent cakes.

For longer cooking times, you can switch the appliance off 10 minutes before the cooking time ends.

- There is sufficient residual heat to finish cooking the dish.

Remove any accessories that are not being used from the cooking compartment.

- Accessories that are not being used do not need to be heated.

Allow frozen food to defrost before cooking.

- This saves the energy that would otherwise be required to defrost it.

Note:

The appliance requires:

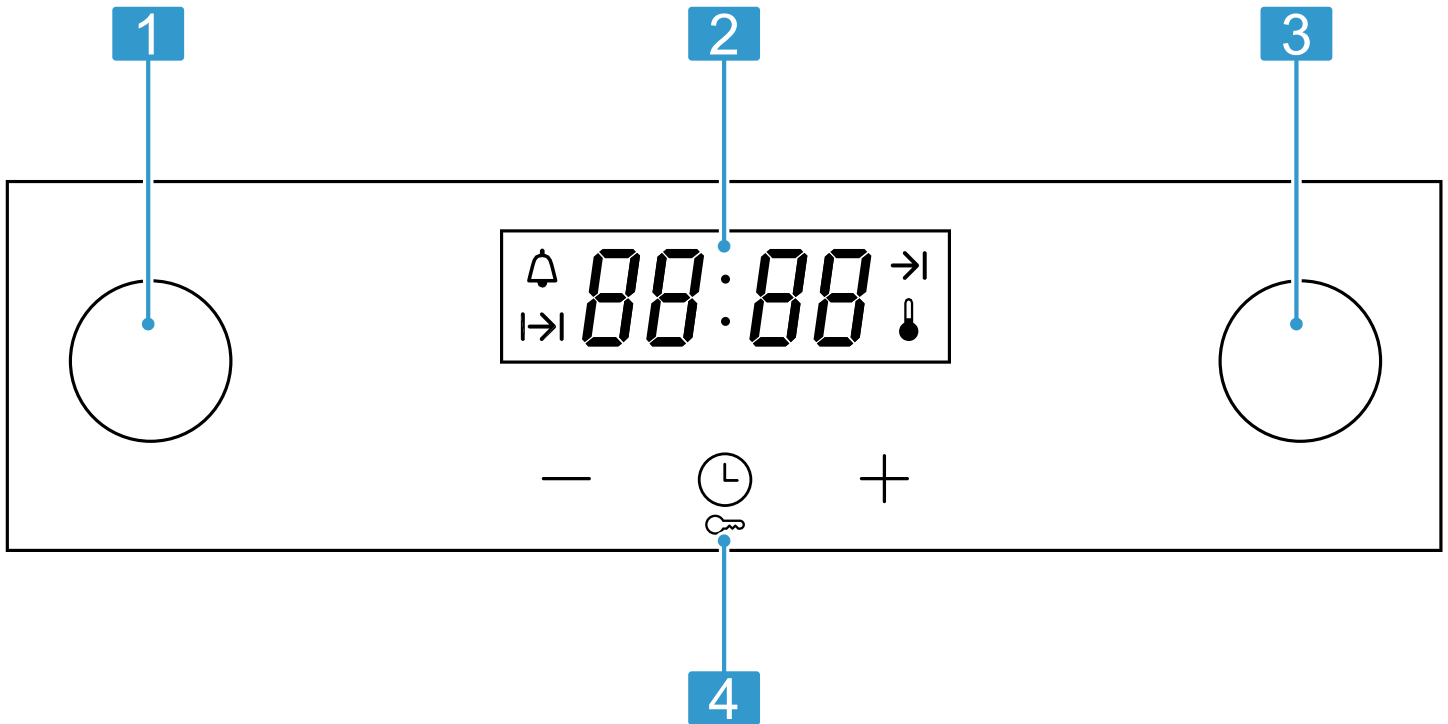
- A maximum of 1 W in standby mode with the display switched on
- A maximum of 0.5 W in standby mode with the display switched off

4 Familiarising yourself with your appliance

4.1 Control panel

You can use the control panel to configure all functions of your appliance and to obtain information about the operating status.

Note: On certain models, specific details such as colour and shape may differ from those pictured.



1	Function selector	Use the function selector to set the type of heating or other functions. You can turn the function selector clockwise or anti-clockwise from the zero setting.
2	Display	The display shows symbols for active functions and the time-setting options.
3	Temperature selector	Use the temperature selector to set the temperature for the type of heating. You can turn the temperature selector clockwise and anti-clockwise.
4	Touch fields	You can use the touch fields to set various functions directly.

Buttons

You can use the buttons to directly select various functions.

Note: If a button is not operational, a signal tone sounds.

Symbol	Button	Explanation
⌚	Time-setting options	Set the timer, cooking time, end time or time
—	Minus	Decrease the setting value
+	Plus	Increase the setting value
🔒	Childproof lock	Activate and deactivate the childproof lock in standby mode

Display

You can see the current setting values or options in the display.


The value that you can currently set is in focus. The value is displayed in white lettering with a dark background.

Symbol	Explanation
🔔	Timer
⌚	Duration
→	End
88:88	Time indicator
🔥	Heat-up indicator

Temperature selector

Use the temperature selector to set the temperature.

Heat-up indicator










When the appliance is heating,  lights up on the display. This goes out during pauses in the heating.

If you preheat the appliance, place the dish in the cooking compartment as soon as the heat-up indicator goes out for the first time.

Note: Due to thermal inertia, the temperature displayed may differ slightly from the actual temperature inside the cooking compartment.

4.2 Types of heating and functions

To ensure that you always use the right type of heating to cook your food, we have explained the differences and applications below.

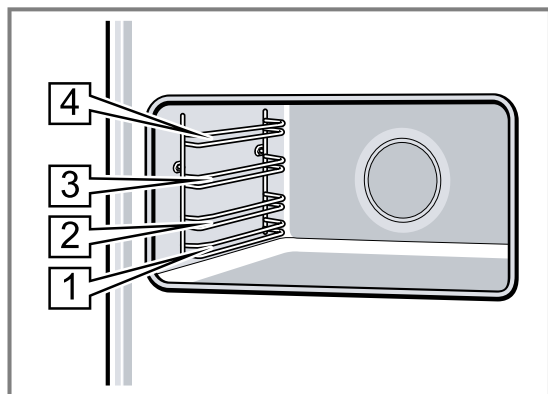
Symbol	Type of heating or function	Temperature or setting	Use
	Rapid heating	50-250 °C	For rapidly heating up the oven.
	3D hot air	50-250 °C	Prepare dishes on 1-2 levels. The fans distribute the heat from the ring-shaped heating elements in the back panel evenly around the cooking compartment.
	Air recirculation	50-250 °C	Bake cakes and baked items on one level. The fans distribute the heat from the heating elements evenly around the cooking compartment.
	Bottom heating	50-250 °C	Cook dishes for additional time. The heat is emitted from below.
	Full-surface grill	50 – 250 °C	Grill flat items, such as steak, sausages or toast and gratinate. The entire area below the grill element becomes hot.
	Circulated air grill	50-220 °C	Bake or roast meat, poultry and whole fish. The fan circulates the hot air around the food. Note: When using the air recirculation grill, set a maximum temperature of 220 °C.
	Gentle top/bottom heating	50-250 °C	For gently cooking selected types of food (e.g. meat, vegetables) on one level without preheating. The type of heating is unsuitable for food that rises as it bakes (e.g. bread).
	Top/bottom heating	50-250 °C	Prepare cakes, bakes and lean joints. The heat is emitted evenly from above and below.
	Rotary spit	50-250 °C	Roasts, rolled roasting joints and poultry

4.3 Cooking compartment

The functions in the cooking compartment make your appliance easier to use.

Shelf positions

The cooking compartment has 4 shelf positions. Always insert the accessory as far as it will go so that the accessory does not touch the door panel. Slide the accessory into the cooking compartment correctly.

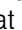


Self-cleaning surfaces

The back wall and side panels of the cooking compartment are self-cleaning. The self-cleaning surfaces in the cooking compartment are coated with a porous, matt ceramic layer and have a rough surface. When the appliance is in operation, the self-cleaning surfaces absorb splashes from roasting or grilling and break them down.

Interior lighting

In most operating modes, the interior lighting switches on as soon as operation starts. The interior lighting switches off again when operation stops.

To switch on the cooking compartment lighting when the appliance is switched off, set the function selector to any function except for . Ensure that the temperature selector is set to the "Off" position.

Cooling fan

The cooling fan switches on and off as required. The hot air escapes via the appliance door.

ATTENTION!

Covering the ventilation slots will cause the appliance to overheat.

- ▶ Do not cover the ventilation slots.

To cool the cooking compartment more quickly after operation, the cooling fan continues to run for a certain period afterwards.

Condensation

This section tells you how condensation is formed, how you can prevent damage, and how you can prevent condensation from forming.

When you are cooking food in the cooking compartment, a lot of steam may form in the cooking compartment. Since your appliance is extremely energy-effi-

cient, only a small amount of heat escapes during operation. Due to the significant differences in temperature between the appliance interior and the external parts of the appliance, condensation may build up on the appliance door, the control panel or the front panels of adjacent kitchen units. The formation of condensation is a normal physical phenomenon.

In order to prevent damage, wipe away the condensation. If condensation collects in the drip trough, remove the condensation with a sponge. An overflowing drip trough may damage the fitted unit. Leave the appliance to dry with the door open.

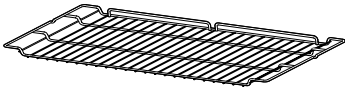


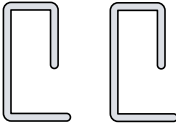
When you preheat the appliance, you reduce the build-up of condensation.

5 Accessories

Use original accessories. These have been made especially for your appliance.

Note: Accessories may become deformed if they get hot. Deformation has no effect on function. As the accessory cools down, it will regain its original shape.

The accessories supplied may differ depending on the appliance model.

Accessories		Use
Wire rack		<ul style="list-style-type: none"> ▪ Cookware ▪ Cake tins ▪ Meat, e.g. roasting joints or steak ▪ Frozen meals
Universal pan		<ul style="list-style-type: none"> ▪ Moist cakes ▪ Baked items ▪ Frozen meals ▪ Large roasts <p>Tip: You can use the universal pan to catch dripping fat if you are grilling directly on the wire rack.</p>
Rotary spit		<ul style="list-style-type: none"> ▪ For roasting pieces of meat ▪ For roasting large items of poultry <p>Note: Use only in combination with the enamelled baking tray.</p>
Locking pins		<p>Lock hinges.</p> <p>Note: Do not throw away the locking pins. Store the locking pins in a secure location. You always require the locking pins when you remove the door or door panels from the appliance.</p>

5.1 Other accessories

You can purchase other accessories from our after-sales service, specialist retailers or online.

You will find a comprehensive range of products for your appliance in our brochures and online:

www.bosch-home.com

Accessories vary from one appliance to another. When purchasing accessories, always quote the exact product number (E no.) of your appliance.

You can find out which accessories are available for your appliance in our online shop or from our after-sales service.

Other accessories	Use
Wire rack	<ul style="list-style-type: none"> ▪ Cookware ▪ Cake tins ▪ Meat, e.g. roasting joints or steak ▪ Frozen meals
Baking tray	<ul style="list-style-type: none"> ▪ Tray bakes ▪ Small baked items

Other accessories	Use
Universal pan	<ul style="list-style-type: none"> ■ Moist cakes ■ Baked items ■ Frozen meals ■ Large roasts
Telescopic rail set	Telescopic rail set for one level

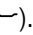
5.2 Locking function

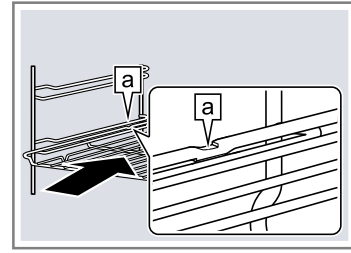
The locking function prevents the accessories from tilting when they are pulled out.

You can pull out the accessory approximately halfway without them tipping. The accessory must always be inserted into the cooking compartment the right way round for the tilt protection to work properly.

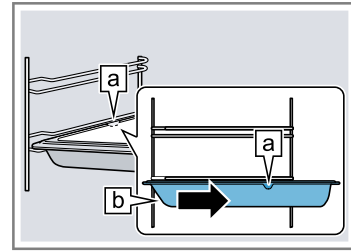
5.3 Sliding accessories into the cooking compartment

1. Turn the accessory in such a way that the notch **a** is at the rear and is facing downwards.
2. Insert the accessory between the two guide rods for a shelf position.

Wire rack
The open side must be facing the appliance door and the curvature must be at the bottom (i.e. .



Tray, e.g. universal pan or baking tray
The sloping edge of the accessory **b** must be facing towards the appliance door.



3. Push the accessory all the way in, making sure that it does not touch the appliance door.


Note: Take any accessories that you will not be using out of the cooking compartment while the appliance is in operation.

6 Before using for the first time

Configure the settings for initial start-up. Clean the appliance and accessories.

6.1 Setting the time

Once the appliance is connected to a power supply,  flashes on the display. Set the time.


1. Use + or - to set the time.
2. Press .

Note: Once the set time has elapsed, the time is automatically saved.

6.2 Cleaning the appliance before using it for the first time

Clean the cooking compartment and accessories before using the appliance to prepare food for the first time.

1. Remove the accessories from the cooking compartment and remove the shelves. → Page 15
2. Completely remove any leftover packaging, e.g. small pieces of polystyrene, from the cooking compartment.

3. Some parts are covered with a protective film. Remove this scratch protection film.
4. Clean the outside of the appliance with a soft, damp cloth.
5. Clean the cooking compartment with hot soapy water.
6. To eliminate the new-appliance smell, heat up the empty appliance with the door closed.
7. Turn the function selector to .
8. Set the maximum temperature.
If you are heating up the appliance for the first time, you may hear crackling noises from the cooking compartment.
9. Ventilate the kitchen while the appliance is heating.
10. Switch off the appliance after 1 hour.
11. Allow the appliance to cool down.
12. Once the cooking compartment has cooled down, clean the smooth surfaces with soapy water.
13. Install the rails. → Page 15
14. If necessary, clean the door panels. → Page 15

6.3 Cleaning the accessories

- ▶ Clean the accessory thoroughly with soapy water and a soft dish cloth.

7 Basic operation

7.1 Switching on the appliance

1. Use the function selector to set the type of heating.
 2. Use the temperature selector to select the temperature.
- ✓ The appliance starts heating.

Note: The temperature control displays the current heating status.

7.2 Changing the type of heating and temperature

1. Use the function selector to change the type of heating.
2. Use the temperature selector to change the temperature.

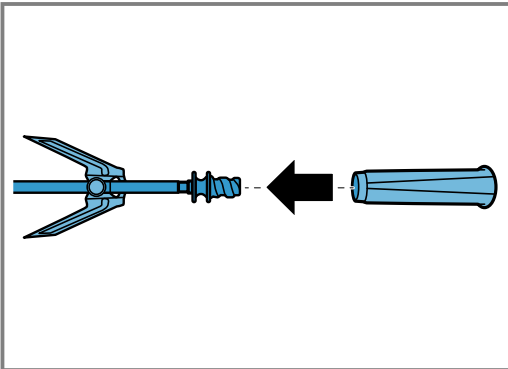
7.3 Switching off the appliance

- ▶ Turn the function selector to the off position.

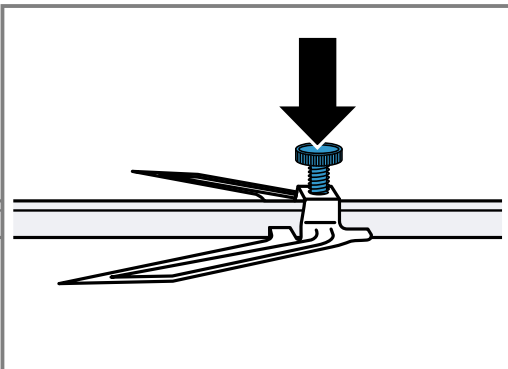
8 Rotary spit

8.1 Preparing the rotary spit

1. Slide a retaining clip onto the rotary spit and screw on the handle.



2. Place the roasting joint into the centre of the rotary spit.
3. Secure the roasting joint using the retaining clips.
4. Secure the retaining clips using the knurled screws.



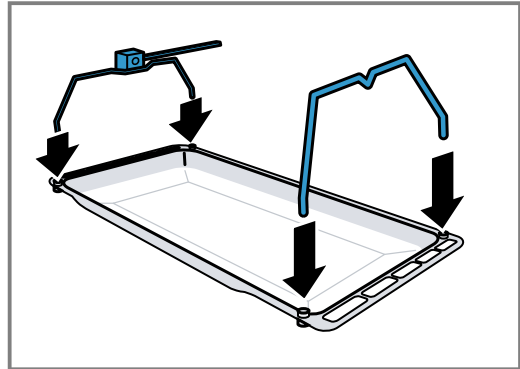
8.2 Inserting the rotary spit

⚠ WARNING – Risk of burns!

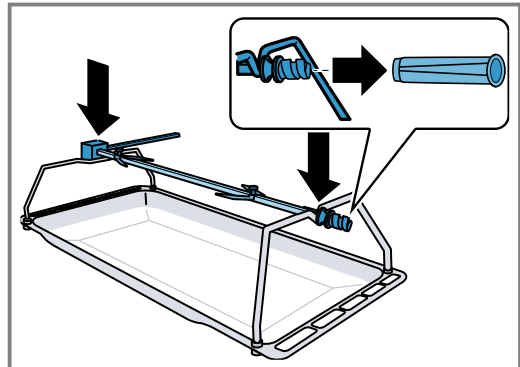
The appliance and its parts that can be touched become hot during use.

- ▶ Caution should be exercised here in order to avoid touching heating elements.
- ▶ Young children under 8 years of age must be kept away from the appliance.

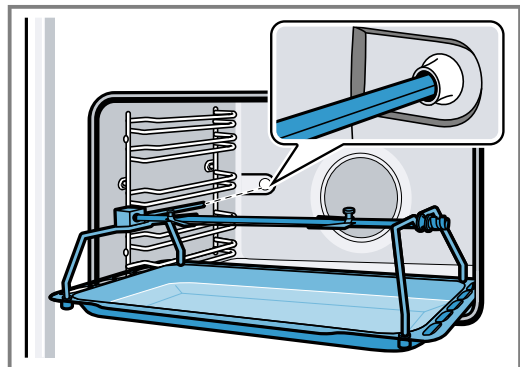
1. Insert the rotary spit frame into the threaded bushes.



2. Place the rotary spit onto the rotary spit frame and unscrew the handle.


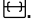


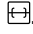
3. Slide the universal pan into shelf position 1 and place the rotary spit into the motor bracket.



4. Pour some water into the universal pan to better catch any fat that drips out.
5. Close the appliance door.

8.3 Switch on the rotary spit

Note: If you are using the rotary spit, preheat the oven with the  type of heating. Insert the rotary spit before you set the heating function .

1. Set the function selector to .
2. Set the temperature.

8.4 Removing the rotary spit

WARNING – Risk of burns!


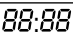
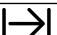

The appliance and its parts that can be touched become hot during use.

- ▶ Caution should be exercised here in order to avoid touching heating elements.
 - ▶ Young children under 8 years of age must be kept away from the appliance.
1. Open the appliance door.
 2. Slowly pull out the universal pan until this protrudes halfway out of the cooking compartment.
 3. Pull the universal pan fully out of the cooking compartment and place it on the worktop.
 4. Screw the handle onto the rotary spit.
 5. Remove the rotary spit from the rotary spit frame by the handle.

9 Time-setting options

9.1 Overview of the time-setting options



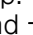
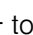
You can find an overview of the time-setting options here.

Symbol	Time-setting option	Use
	Short-term timer	The short-term timer functions like an egg timer. It runs independently of the appliance when it is in operation and of other time-setting options, and does not affect the appliance.
	Time	When no other function is running in the foreground, the appliance shows you the time of day on the display.
	Duration	Once the set cooking time has elapsed, the appliance automatically stops heating.
	End	Enter a cooking time and the required end time. The appliance starts up automatically so that it finishes cooking at the required time.



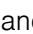
9.2 Setting the short-term timer

The timer has no influence on the functions of the oven.

Note: You can set the time on the short-term timer from 1 minute up to 23 hours and 59 minutes. You can set the duration in 30-second increments up to 10 minutes, in 1-minute increments from 10 minutes to 1 hour, and then in 5-minute increments.

1. Press .
 - ✓  lights up.
2. Use  and  to set the required duration.
 - ✓ A signal tone sounds once the time has elapsed.

Notes

- To change the remaining time, press  and use  or  to change the remaining time.
- To cancel the short-term timer, set the remaining time to zero.

Switching off the signal tone


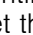
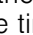
- ▶ Press any button to switch off the signal tone.

Note: After a short time, the signal tone stops automatically.

9.3 Setting the time


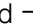

If required, you can change the time, e.g. from summer time to winter time.

Requirement: The appliance is switched off.

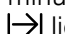
1. Press and hold  until the time flashes.
2. Use  and  to set the time.

9.4 Setting the duration

You can set the cooking time for your food on your appliance. This prevents the food from accidentally being cooked for too long, and means that you do not have to stop what you are doing to switch off the oven.

1. Set the type of heating and the temperature.
 - ✓ The appliance starts.
2. Press  twice.
3. Use  and  to set the duration.

You can set the time from 1 minute up to 23 hours and 59 minutes. You can set the cooking time in 1-minute increments up to 1 hour, and then in 5-minute increments.

- ✓  lights up.

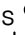

Turning off the operation



When the time has elapsed, a signal tone sounds. The appliance stops heating.

1. Press any button to switch off the signal tone. After a short time, the signal tone stops automatically.
2. Turn the function selector to the off position.

9.5 Setting the end time

Operation starts for the set duration at a later time that is selected by you.

1. Set the type of heating and the temperature.
 - ✓ The appliance starts.
2. Press  twice.
3. Use + and - to set the duration. You can set the time from 1 minute up to 23 hours and 59 minutes. You can set the cooking time in 1-minute increments up to 1 hour, and then in 5-minute increments.
 - ✓  lights up.

4. Press .
5. Use + or - to set the end time. The first time you press the button, the display shows a default value. This default value is calculated using the current time on the clock and the duration.
 - ✓  lights up.
 - ✓ The display shows the end time. The appliance switches to standby mode.

Turning off the operation

When the time has elapsed, a signal tone sounds. The appliance stops heating.

1. Press any button to switch off the signal tone. After a short time, the signal tone stops automatically.
2. Turn the function selector to the off position.

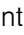
10 Child safety lock

You can secure your appliance to prevent children from accidentally switching it on or changing the settings.


If you have connected a hob to the oven, the hob is not locked.

10.1 Activating the child safety lock

Requirement: No duration and no end has been set.

- ▶ Press and hold  for approx. 4 seconds.
- ✓ *SAFE* appears on the display.

10.2 Deactivating the child safety lock

- ▶ Press and hold  for approx. 4 seconds.
- ✓ *SAFE* disappears from the display.

11 Cleaning and servicing

To keep your appliance working efficiently for a long time, it is important to clean and maintain it carefully.

11.1 Cleaning products

To avoid damaging the various surfaces on the appliance, do not use any unsuitable cleaning agents.

WARNING – Risk of electric shock!

An ingress of moisture can cause an electric shock.

- ▶ Do not use steam- or high-pressure cleaners to clean the appliance.

ATTENTION!

Unsuitable cleaning agents damage the surfaces of the appliance.

- ▶ Do not use harsh or abrasive cleaning products.
- ▶ Do not use cleaning products with a high alcohol content.

- ▶ Do not use hard scouring pads or cleaning sponges.
- ▶ Do not use any special cleaners for cleaning the appliance while it is hot.
- ▶ Only use glass cleaners, glass scrapers or stainless steel care products if recommended in the cleaning instructions for the relevant part.

Using oven cleaner in a hot cooking compartment damages the enamel.

- ▶ Never use oven cleaner in the cooking compartment when it is still warm.
- ▶ Remove all food remnants from the cooking compartment and the appliance door before you next heat up the appliance.

Salt contained in new sponge cloths may damage surfaces.

- ▶ Wash new sponge cloths thoroughly before use.

11.2 Suitable cleaning agents

Only use cleaning agents that are suitable for the different surfaces on your appliance.

Appliance exterior

Follow the instructions on cleaning the appliance.

Area	Suitable cleaning agents	Information
Stainless steel front	<ul style="list-style-type: none"> ■ Hot soapy water ■ Special stainless steel cleaning products suitable for hot surfaces 	To prevent corrosion on stainless steel fronts, remove any limescale, grease, starch and albumin (e.g. egg white) stains immediately. Apply a thin layer of the stainless steel cleaning product.
Control panel	Hot soapy water	Clean with a dishcloth and dry with a soft cloth. Do not use glass cleaner or a glass scraper.
Door panels	Hot soapy water	Clean with a dishcloth and dry with a soft cloth. Do not use a glass scraper or steel wool.
Door handle	Hot soapy water	Clean with a dishcloth and dry with a soft cloth. To avoid permanent stains, remove descaling agents from the door handle immediately.

Appliance interior

Area	Suitable cleaning agents	Information
Enamel surfaces	<ul style="list-style-type: none"> ■ Hot soapy water ■ Vinegar solution ■ Oven cleaner 	Clean with a dishcloth and dry with a soft cloth. Soften burnt-on food residues with a damp cloth and soapy water. If there are heavy deposits of dirt, use a stainless steel scouring pad or oven cleaner. Leave the cooking compartment open to dry after cleaning. Note: Food residues may cause white deposits to form. The deposits are not a risk to health and do not affect how the appliance works. You can remove the deposits with lemon juice.
Self-cleaning surfaces		Observe the instructions for the surfaces of the cooking compartment that follow the table. → "Cleaning self-cleaning surfaces", Page 14
Glass cover for the interior lighting	<ul style="list-style-type: none"> ■ Hot soapy water ■ Oven cleaner 	Clean with a dishcloth and dry with a soft cloth. Use oven cleaner to remove very heavy soiling.
Door panels	Hot soapy water	Clean with a dishcloth and dry with a soft cloth. Do not use a glass scraper or steel wool. Tip: It is best to clean the door panels together with the cooking compartment. → "Cleaning the cooking compartment", Page 14
Door seal	Hot soapy water	Clean with a dishcloth. Do not remove or scrub the door seal.
Stainless steel door cover	Stainless steel cleaner	Follow the manufacturers' instructions. Do not use glass cleaner or a glass scraper. Do not use stainless steel care products. Tip: It is best to remove the door cover.
Plastic door cover	Hot soapy water	Do not use glass cleaner or a glass scraper. Do not use stainless steel care products. Tip: It is best to remove the door cover.
Rails	Hot soapy water	Soak and clean using a dishcloth or brush.
Pull-out system	Hot soapy water	Clean with a dishcloth or brush. Clean the pull-out rails while they are pushed in so that you do not remove the lubricant. Do not clean in the dishwasher.
Accessories	Hot soapy water	Soak and clean using a dishcloth or brush. If the accessory is heavily soiled, clean it with steel wool. Tip: You can clean enamelled accessories in the dishwasher.

Notes

- Slight differences in colour on the front of the appliance are caused by the use of different materials, such as glass, plastic and metal.

- Shadows on the door panels, which look like streaks, are caused by reflections made by the interior lighting.

- Enamel is baked on at very high temperatures. This may cause some slight colour variation. The colour differences are normal and do not affect the functionality. The edges of thin trays cannot be completely enamelled and may therefore be rough. This does not impair the corrosion protection.

11.3 Cleaning the appliance

Clean the appliance as specified. This will ensure that the different parts and surfaces of the appliance are not damaged by incorrect cleaning or unsuitable cleaning products.

⚠ WARNING – Risk of burns!

The appliance and its parts that can be touched become hot during use.

- ▶ Caution should be exercised here in order to avoid touching heating elements.
- ▶ Young children under 8 years of age must be kept away from the appliance.

⚠ WARNING – Risk of fire!

Loose food remnants, fat and meat juices may catch fire.

- ▶ Before using the appliance, remove the worst of the food residues and remnants from the cooking compartment, heating elements and accessories.

Requirement: Read the information on cleaning products.

→ "Cleaning products", Page 12

1. Clean the appliance using hot soapy water and a dish cloth.
For some surfaces, you can use alternative cleaning agents.
→ "Suitable cleaning agents", Page 12
2. Dry with a soft cloth.

Tips

- If you clean the cooking compartment after each use, dirt cannot burn on.
- Always remove limescale, grease, starch or albumin stains immediately.

Note: Use the universal pan for baking very moist cakes.

Tip: To keep the cooking compartment clean, use suitable ovenware for roasting, e.g. a roasting dish.


11.4 Cleaning the cooking compartment

⚠ WARNING – Risk of burns!

The appliance and its parts that can be touched become hot during use.

- ▶ Caution should be exercised here in order to avoid touching heating elements.
- ▶ Young children under 8 years of age must be kept away from the appliance.

Requirement: The cooking compartment has cooled down completely.

1. Pour 0.4 l of water into the centre of the cooking compartment floor.
Do not use distilled water.
2. Use the function selector to set .
3. Use the temperature selector to set the temperature to 50°C.

4. While cleaning, check that the water that is condensed in the drip trough below the appliance door does not overflow.
 - If required, mop up the liquid with a sponge.
5. Switch off the appliance after 18 minutes.
6. Allow the appliance to cool down.
7. Clean the cooking compartment with a cloth.

11.5 Cleaning self-cleaning surfaces

The self-cleaning surfaces are coated with a porous, matte ceramic layer. This coating absorbs and dispels splashes from baking and roasting while the appliance is in operation.

Requirement: The cooking compartment has cooled down.

- ▶ Brownish or whitish residues can be removed with water and a soft sponge.

Note: Marks may appear on the self-cleaning surfaces. Residues of sugars and proteins in the food are not removed and stick to the surfaces. Red stains are residues from salty food – they are not rust. The marks are not hazardous to health. These marks do not impair the cleaning ability of the self-cleaning surfaces.

11.6 Replacing the cooking compartment bulb

If the cooking compartment light has failed, replace the cooking compartment bulb.

Note: Heat-resistant, 230 V, 40 W, G9 halogen bulbs are available from customer service or specialist retailers. Only use these bulbs. Hold the new halogen bulbs only with a clean, dry towel. This increases the service life of the bulb.

⚠ WARNING – Risk of burns!

The appliance and its parts that can be touched become hot during use.

- ▶ Caution should be exercised here in order to avoid touching heating elements.
- ▶ Young children under 8 years of age must be kept away from the appliance.

⚠ WARNING – Risk of electric shock!

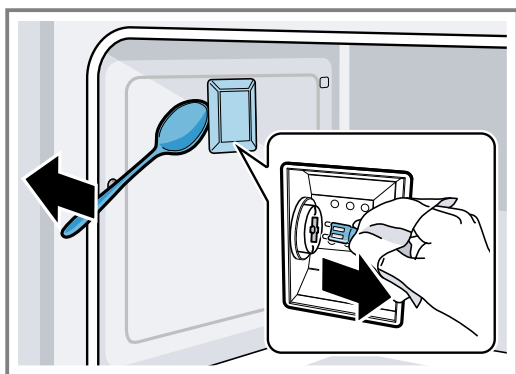
When changing the bulb, the bulb socket contacts are live.

- ▶ Before replacing the bulb, ensure that the appliance is switched off in order to prevent a potential electric shock.
- ▶ Also unplug the appliance from the mains or switch off the circuit breaker in the fuse box.

Requirements

- The fuse has been switched off.
 - The cooking compartment has cooled down.
 - You must have a new halogen lamp to replace the old one.
1. Open the appliance door.
 2. Place a tea towel in the cooking compartment to prevent damage.
 3. Remove the accessories from the cooking compartment and remove the shelves. → Page 15
 4. Remove the glass cover.
If the glass cover is difficult to remove by hand, use a spoon to help you.

5. Pull out the cooking compartment bulb.



6. Replace the cooking compartment bulb with one of the same type.
7. Refit the glass cover for the oven light bulb.
8. Install the rails. → Page 15
9. Remove the tea towel again.
10. Switch on the fuse again.
11. Check that the oven lighting is working again.

12 Rails

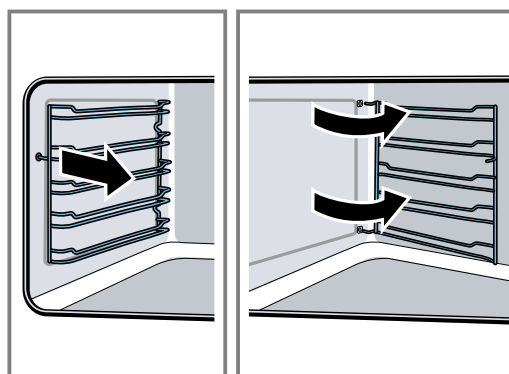
To thoroughly clean the rails and the cooking compartment, or to replace the rails, you can remove the rails.

12.1 Detaching the rails

The rails are each fixed to the side panels of the cooking compartment at 3 points.

1. Grip the front of the rail and pull it round to the middle of the cooking compartment.
- ✓ The front hook of the rail comes out of the hole.

2. Swing the rail round further and pull it out of the rear holes in the side panel.



3. Remove the rail from the cooking compartment.

12.2 Attaching the rails

1. Insert the hooks of the rail into the rear holes in the side panel.
2. Push the front hook of the rail into the hole.

13 Appliance door

With good care and cleaning, your appliance retains its appearance and remains fully functioning for a long time to come. This will tell you how to clean the appliance door.

Note: To ensure that the appliance door does not come into contact with the fitted unit, the appliance door opens slightly less than 90°.

13.1 Removing the door panels

To facilitate cleaning, you can remove the glass panels from the appliance door.

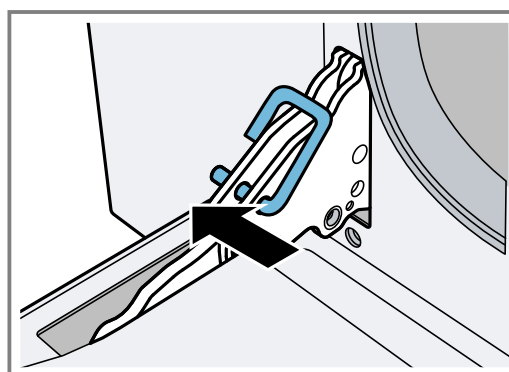
⚠ WARNING – Risk of injury!

Scratched glass in the appliance door may develop into a crack.

- ▶ Do not use any harsh or abrasive cleaners or sharp metal scrapers to clean the glass on the oven door, as they may scratch the surface.

1. Open the appliance door fully.

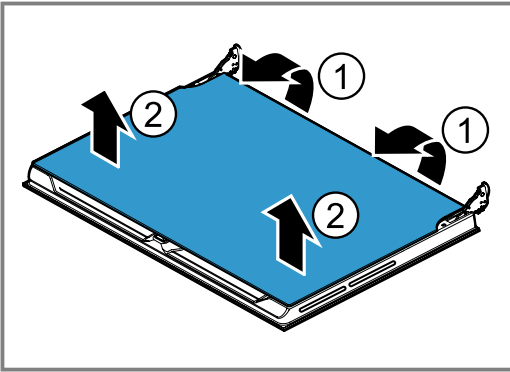
2. Use the security pins to lock the left- and right-hand hinges.



The locking pins must be fully inserted into the holes in the hinges.

3. Use both hands to lift the lower section of the inner panel until the fastening pins come out of the holder. ①

- Carefully lift the top section of the inner panel until the fastening pins come out of the holder. ②



- Lift out the inner panel and set it down carefully on a flat surface.
- Clean the door panels with glass cleaner and a soft cloth.

13.2 Fitting the door panels

- Insert the inner panel.
All four fastening pins must engage in the holders provided for them.
- Remove the locking pins and close the appliance door.

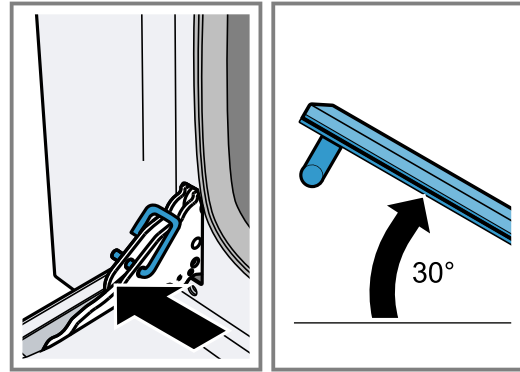
Note: Do not throw away the locking pins. Store the locking pins in a secure location. You always require the locking pins when you remove the door or door panels from the appliance. If you do not have any locking pins, you can order these from customer service.

13.3 Detaching the appliance door

If it is particularly dirty, you can remove the appliance door to clean it more thoroughly.

- Open the appliance door fully.
- Use the security pins to lock the left- and right-hand hinges.
The locking pins must be fully inserted into the holes in the hinges.

- Grip the appliance door on either side with both hands and close it by approx. 30 degrees.



Do not close the appliance door fully. The hinges could become bent and the enamel could be damaged.

- Lift the appliance slightly and pull it out completely.

13.4 Attaching the appliance door

⚠ WARNING – Risk of injury!

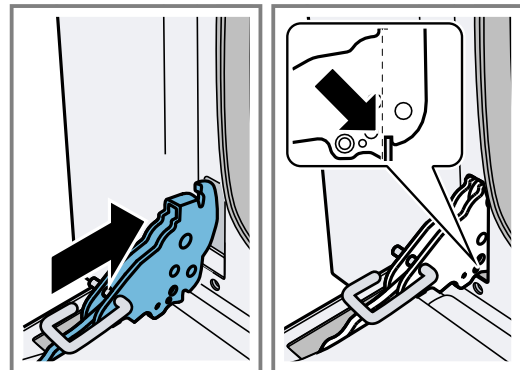
If the hinges are not secured due to an incomplete lock, they can snap shut with great force.

- ▶ If the hinge snaps shut when detaching or attaching the appliance door, do not reach into the hinge.
- ▶ Call customer service.

If a door pane or appliance door has not been installed correctly, this is dangerous.

- ▶ Make sure that all of the door panes and the appliance door have been correctly fitted before you switch the appliance back on again.

- Grip the appliance door on either side with both hands.
- Slide the hinges into the slots in the appliance.



The notch below the hinges must engage into the frame of the appliance.

- Lower the appliance door downwards.
- Remove the locking pins.

Note: Do not throw away the locking pins. Store the locking pins in a secure location. You always require the locking pins when you remove the door or door panels from the appliance. If you do not have any locking pins, you can order these from customer service.

14 Troubleshooting

You can rectify minor faults on your appliance yourself. Read the troubleshooting information before contacting after-sales service. This will avoid unnecessary costs.

WARNING – Risk of injury!

Improper repairs are dangerous.

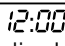
- ▶ Repairs to the appliance should only be carried out by trained specialist staff.
- ▶ If the appliance is defective, call Customer Service.
→ "Customer Service", Page 18

WARNING – Risk of electric shock!

Improper repairs are dangerous.

- ▶ Repairs to the appliance should only be carried out by trained specialist staff.
- ▶ Only use genuine spare parts when repairing the appliance.
- ▶ If the power cord of this appliance is damaged, it must be replaced by the manufacturer, the manufacturer's Customer Service or a similarly qualified person in order to prevent any risk.

14.1 Malfunctions

Fault	Cause and troubleshooting
The appliance is not working.	The mains plug of the power cord is not plugged in. <ul style="list-style-type: none"> ▶ Connect the appliance to the power supply. There has been a power cut. <ul style="list-style-type: none"> ▶ Check whether the lighting in your room or other appliances are working. The circuit breaker in the fuse box has tripped. <ul style="list-style-type: none"> ▶ Check the circuit breaker in the fuse box.
The appliance does not start.	The appliance door is not fully closed. <ul style="list-style-type: none"> ▶ Close the appliance door. The appliance is not switched off. <ul style="list-style-type: none"> ▶ Switch the appliance off and then on again.
 flashes on the display.	There has been a power cut. <ul style="list-style-type: none"> ▶ Set the time. → "Before using for the first time", Page 9
The interior lighting does not work.	"Gentle top/bottom heating" mode is activated. <ul style="list-style-type: none"> ▶ In this operating mode, the interior lighting is switched off. The cooking compartment bulb is defective. <ul style="list-style-type: none"> ▶ Change the cooking compartment bulb. → "Replacing the cooking compartment bulb", Page 14
Dishes that are cooked in the oven burn in a short time.	The thermostat is faulty. <ul style="list-style-type: none"> ▶ Call → "Customer Service", Page 18.
Door panels are steamed up.	Normal occurrence caused by temperature differences. <ul style="list-style-type: none"> ▶ Heat the appliance up to 100 °C and switch the appliance off after 5 minutes.
The appliance is switched on but cannot be operated. <i>SFF</i> <i>E</i> lights up on the display.	The child safety lock is activated. <ul style="list-style-type: none"> ▶ Deactivate the child safety lock. → "Deactivating the child safety lock", Page 12
The display has frozen or does not respond.	The child safety lock is activated. <ul style="list-style-type: none"> ▶ Deactivate the child safety lock. → "Deactivating the child safety lock", Page 12 Malfunction <ol style="list-style-type: none"> 1. Switch off the fuse in the fuse box. 2. Switch the fuse on after approx. 10 seconds. 3. If the malfunction occurs again, call customer service.
Condensation water on the appliance door or condensation water is dripping.	The appliance door does not close correctly. <ul style="list-style-type: none"> ▶ Check whether the appliance door is installed correctly and closes correctly. → "Appliance door", Page 15

Fault	Cause and troubleshooting
Condensation water on the appliance door or condensation water is dripping.	Dirt on the seal. <ol style="list-style-type: none"> 1. Check whether the seal is dirty, damaged or seated incorrectly. 2. Clean or replace the seal, or ensure that it is seated correctly.
	Normal condensation. → "Condensation", Page 8

15 Disposal

15.1 Disposing of old appliance

Valuable raw materials can be reused by recycling.

- ▶ Dispose of the appliance in an environmentally friendly manner.
 Information about current disposal methods are available from your specialist dealer or local authority.



This appliance is labelled in accordance with European Directive 2012/19/EU concerning used electrical and electronic appliances (waste electrical and electronic equipment - WEEE).
 The guideline determines the framework for the return and recycling of used appliances as applicable throughout the EU.

16 Customer Service

Detailed information on the warranty period and terms of warranty in your country is available from our after-sales service, your retailer or on our website.

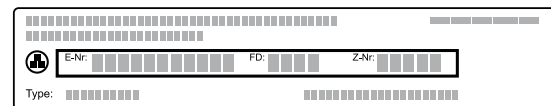
If you contact Customer Service, you will require the product number (E-Nr.) and the production number (FD) of your appliance.

The contact details for Customer Service can be found in the enclosed Customer Service directory or on our website.

This product contains light sources from energy efficiency class G.

16.1 Product number (E-Nr.) and production number (FD)

You can find the product number (E-Nr.) and the production number (FD) on the appliance's rating plate. You will see the rating plate with these numbers if you open the appliance door.



Make a note of your appliance's details and the Customer Service telephone number to find them again quickly.

17 How it works

You can find a selection of tips about cookware and preparing meals here.

17.1 What is the best way to proceed?

ATTENTION!

Acidic food may damage the grid

- ▶ Do not place acidic food, such as fruit or food with an acidic marinade directly on the pan support.

Note: Information for those allergic to nickel

In rare cases, small amounts of nickel may pass into the food.

1. Before using the appliance, remove all unnecessary cookware from the cooking compartment.
2. Select the desired food from the recommended settings.
3. Place the food in suitable cookware.
 Use the accessory provided.

4. Only preheat the appliance if the recipe or the recommended settings tell you to do so. Do not line the accessory with greaseproof paper until after it has been preheated.
5. Set the appliance in accordance with the recommended settings.
 Set the shorter cooking time first. If required, increase the duration.
6. Always keep the appliance door closed when cooking.

17.2 Baking tips








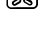








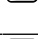




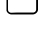




We have compiled a few tips to help you achieve a good baking result.

Issue	Tip
You want your cake to rise evenly.	<ul style="list-style-type: none"> Only grease the base of the springform cake tin. After baking, use a knife to carefully loosen the cake from the baking tin.
You do not want small baked items to stick to each other when baking.	Leave a minimum clearance of 2 cm around each item to be baked. This allows enough space for the baked items to expand and brown on all sides.








Issue	Tip
Determine whether the cake is ready.	Push a cocktail stick into the highest point on the cake. If no dough sticks to the wood, the cake is ready.
You want to bake using your own recipe.	Use similar items in the baking tables as a guide.
Use bakeware made of silicone, glass, plastic or ceramic.	<ul style="list-style-type: none"> The bakeware must be heat-resistant up to 250 °C. Cakes in this bakeware brown less.

17.3 Food table

You can find an overview of the food here.

Food	Weight in kg	Shelf position	Type of heating	Temperature in °C	Duration in mins
Lasagne	3 – 4	1		220 – 230 ¹	45 – 50
Lasagne	3	2		220 ¹	45
Pasta bake	3 – 4	1		220 – 230 ¹	45 – 50
Joint of veal	2	2		180 – 190 ¹	90 – 100
Pork loin	1.5 – 2	2		190 – 200 ¹	90 – 100
Pork loin	2	2		200 ¹	120
Sausages	1.5	3		220 ¹	1st side: 10 2nd side: 7
Roast beef	1	2		200 ¹	45 – 55
Roast rabbit	1.5	2		180 – 190 ¹	70 – 80
Turkey breast	2	2		180 – 190 ¹	110 – 120
Pork neck joint	2 – 3	2		180 – 190 ¹	170 – 180
Roast chicken	1.2	2		190 – 200 ¹	65 – 70
Pork chops	1.5	3		220 ¹	1st side: 15 2nd side: 5
Spare ribs	1.5	3		220 ¹	1st side: 15 2nd side: 10
Bacon	0.7	4		250 ¹	1st side: 10 2nd side: 8
Fillet of pork	1.5	3		220 ¹	1st side: 12 2nd side: 5
Fillet of beef	1	4		250 ¹	1st side: 7 2nd side: 4
Rainbow trout	0.7 – 1.2	2		160 – 170 ¹	35 – 40
Monkfish	0.7 – 1.5	2		160 ¹	60 – 65
Turbot	1.5	2		160 ¹	45 – 50
Pizza	1 – 1.5	2		250 ¹	10 – 12
Bread	1	2		180 – 190 ¹	25 – 30
Focaccia	1	2		180 – 190 ¹	20 – 25
Bundt cake	1	2		160 ¹	55 – 60
Fruit pie	1	2		160 ¹	35 – 40
Cheesecake	1	2		160 – 170 ¹	45 – 55

¹ Preheat the appliance.

Food	Weight in kg	Shelf position	Type of heating	Temperature in °C	Duration in mins
Short-crust pastry	1	2		160 – 170 ¹	35 – 40
Short-crust pastry	1	1		170 ¹	55
Parfait cake	1.2	2		160 ¹	55 – 60
Cream puffs	0.7 – 1.2	2		180 ¹	50 – 60
Sponge cake	1	2		150 – 160 ¹	55 – 60
Rice pudding	1	2		160 ¹	55 – 60
Brioche	1 – 1.2	2		160 ¹	30 – 35

¹ Preheat the appliance.

17.4 Tips for next time you bake

If something goes wrong when baking, you can find some tips here.

Issue	Tip
Your cake collapses.	<ul style="list-style-type: none"> Note the ingredients and preparation instructions that are given in the recipe. Use less liquid. Or: Reduce the baking temperature by 10 °C and increase the baking time.
Your cake is too dry.	Increase the baking temperature by 10 °C and shorten the baking time.
Your cake is generally too light in colour.	<ul style="list-style-type: none"> Check the shelf position and accessory. Increase the baking temperature by 10 °C. Or: Increase the baking time.
Your whole cake is too dark.	Reduce the baking temperature and increase the baking time.
Your cake is too light on top and too dark underneath.	Place the cake one level higher in the cooking compartment.
Your cake is too dark on top and too light underneath.	<ul style="list-style-type: none"> Place the cake one level lower in the cooking compartment. Reduce the baking temperature and increase the baking time
Your cake is unevenly browned.	<ul style="list-style-type: none"> Reduce the baking temperature. Cut the greaseproof paper to a suitable size. Position the baking tin in the centre. Shape small baked goods to be the same size and thickness.

Issue	Tip
Your cake is cooked on the outside but is not fully baked through on the inside.	<ul style="list-style-type: none"> Reduce the baking temperature and increase the baking time. Add less liquid. <p>For cakes with a moist topping:</p> <ul style="list-style-type: none"> Pre-bake the base. Sprinkle the baked base with almonds or breadcrumbs. Place the topping on the base.
The cake will not come out of the tin when turned upside down.	<ul style="list-style-type: none"> Allow the cake to cool for 5 - 10 minutes after baking. Use a knife to carefully loosen the edge of the cake. Turn the cake tin upside down again and cover it several times with a cold, wet cloth. Next time you bake, grease the baking tin/dish and sprinkle it with breadcrumbs.

17.5 Tips for next time you roast

If roasting is not successful the first time, you can find some tips here.

Issue	Tip
Your roast is too dark and the crackling is partly burnt.	<ul style="list-style-type: none"> Select a lower temperature. Reduce the roasting time.
Your roast is too dry.	<ul style="list-style-type: none"> Select a lower temperature. Reduce the roasting time.
The crackling on your roast is too thin.	<ul style="list-style-type: none"> Increase the temperature. Or: Switch on the grill briefly at the end of the roasting time.

Issue	Tip
Your roasting juices are burnt.	<ul style="list-style-type: none"> ▪ Select a smaller item of cookware. ▪ When roasting, add more liquid.
Your roasting juices are too clear and watery.	<ul style="list-style-type: none"> ▪ Use a larger item of cookware so that more liquid evaporates. ▪ When roasting, add less liquid.

Issue	Tip
The meat catches during braising.	<ul style="list-style-type: none"> ▪ Check whether the roasting dish and lid fit together and close properly. ▪ Reduce the temperature. ▪ Add liquid when braising.
Your roast is not well-done enough.	<ul style="list-style-type: none"> ▪ Carve the meat into portions. ▪ Prepare the juices in the roasting dish. ▪ Place the sliced meat in the juices. ▪ Place the slices of meat in the microwave to finish cooking.

18 Installation instructions

Observe this information when installing the appliance.



18.1 Safe installation

Follow these instructions before you start installing the appliance.

WARNING – Risk of fire!

It is dangerous to use an extended power cord and non-approved adapters.

- ▶ Do not use multiple socket strips.
- ▶ Only use extension cables that are certified, have a minimum cross section of 1.5 mm² and comply with the applicable national safety requirements.
- ▶ If the power cord is too short and a longer one is not available, please contact an electrician to have the domestic installation adapted.
- ▶ Only use adapters and power cords approved by the manufacturer.

ATTENTION!

Carrying the appliance by the door handle could break it. The door handle cannot support the weight of the appliance.

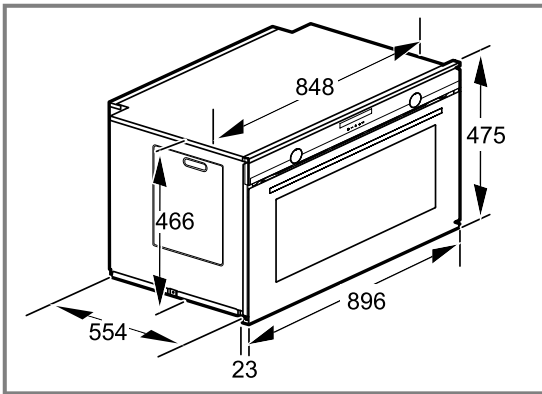
- ▶ Do not carry or hold the appliance by the door handle.
- The safe operation of this appliance can only be guaranteed if it has been installed to a professional standard in accordance

with these installation instructions. The installer shall be liable for damages incurred as a result of incorrect installation.

- Check the appliance for damage after unpacking it. Do not connect the appliance if it has been damaged in transit.
- Before starting up the appliance, remove any packaging material and adhesive film from the cooking compartment and the door.
- Proceed in accordance with the installation sheets for installing accessories.
- Fitted units must be heat-resistant up to 90 °C, and adjacent unit fronts up to 70 °C.
- Do not install the appliance behind a decorative panel or unit door. There is a risk of overheating.
- Cut-out work on the units should be carried out before installing the appliance. Remove any shavings. Otherwise, the correct operation of electrical components may be adversely affected.
- The mains socket for the appliance must be located outside of the area where the appliance is installed.
- Always earth electrical appliances.
- Wear protective gloves so that you do not cut yourself. Parts that are accessible during installation may have sharp edges.
- Dimensions of the figures in mm.

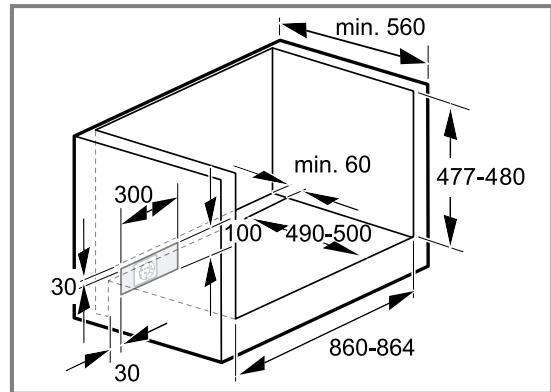
18.2 Appliance dimensions

You will find the dimensions of the appliance here



18.3 Installation below a worktop

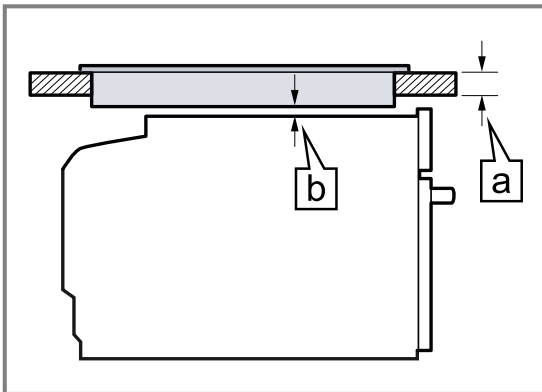
Observe the installation dimensions and the safety clearances when installing below a worktop.



To ventilate the appliance, the intermediate floor must have a ventilation cut-out.

18.4 Installing below a hob

If the appliance is installed below a hob, the following minimum dimensions must be adhered to (including substructure, if applicable).



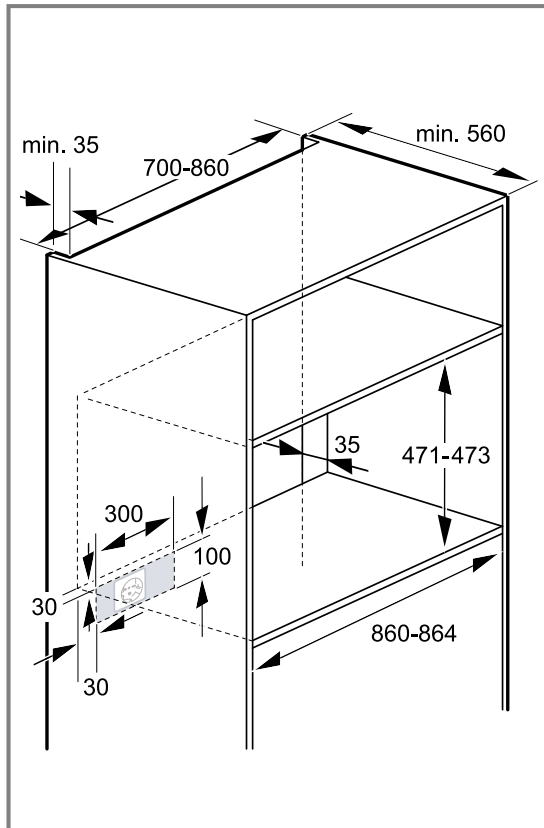
The minimum worktop thickness \boxed{a} is determined by the required minimum clearance \boxed{b} .

Hob type	\boxed{a} raised in mm	\boxed{a} flush in mm	\boxed{b} in mm
Induction hob	49	50	5
Full-surface induction hob	70	70	5
Gas hob	39	50	5
Electric hob	39	42	2

Secure the worktop to the built-in unit. Observe the installation instructions for the hob.

18.5 Installation in a tall unit

Observe the installation dimensions and the safety clearances in a tall unit.



- Ensure that the intermediate floor has a gap to the installation wall in order to ventilate the appliance.
- If the tall unit has another back panel in addition to the element back panels, this must be removed.
- Only fit the appliance up to a height which allows accessories to be easily removed.

18.6 Installing two appliances on top of each other

Your appliance can also be installed above another appliance.

18.7 Electrical connection

In order to safely connect the appliance to the electrical system, follow these instructions.

- The fuse protection must correspond to the power rating specified on the appliance's rating plate and to local regulations.
- The appliance corresponds to protection class I and must only be operated with a protective earth connection.
- The appliance must be disconnected from the power supply whenever installation work is being carried out.
- Contact protection must be ensured by the installation.
- Only a licensed professional may connect appliances without plugs. They are subject to the requirements of the local electricity provider.

Electrically connecting an appliance without a protective contact plug

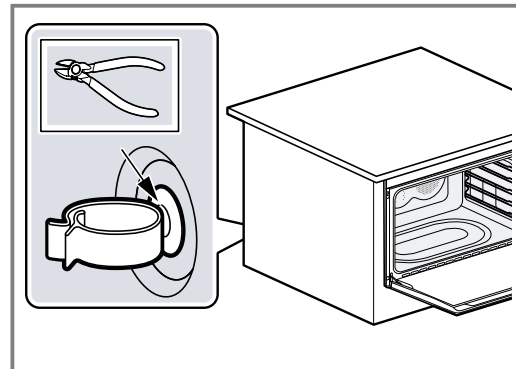
Note: Only licensed specialists may connect the appliance. Damage caused by incorrect connection is not covered under the warranty.

An isolating switch must be integrated into the permanent electrical installation according to the installation regulations.

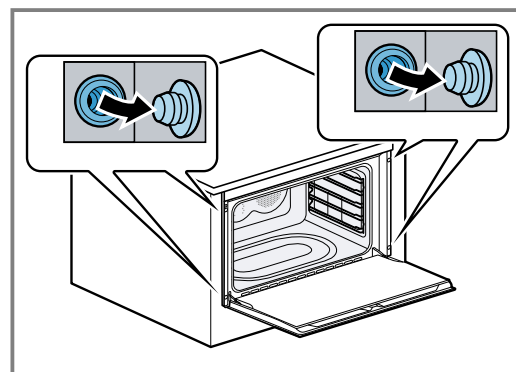
1. Identify the phase and neutral conductors in the socket.
The appliance may be damaged if it is not connected correctly.
2. Only connect the appliance to a mains voltage between 220 und 240 V.
3. Connect the wires of the mains power cable according to the colour coding:
 - Green/yellow = Conductor ⊕
 - Blue = Neutral conductor
 - Brown = Phase (external conductor)

18.8 Installing the appliance

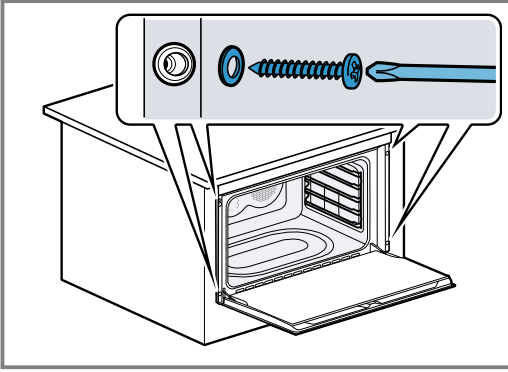
1. Slide the appliance and centre it.
Do not kink the connection cable.
2. If necessary, use a tool to remove the cable guide.



3. Open the oven door completely.
4. Remove the cover.



5. Screw the appliance tightly onto the unit.



6. Put the protective cover on.

Note: Never close the gap between the worktop and the appliance using additional battens.

18.9 Removing the appliance

1. Disconnect the appliance from the power supply.
2. Undo the fastening screws.
3. Lift the appliance slightly and pull it out completely.

Table des matières

MANUEL D'UTILISATION

1	Sécurité.....	25
2	Prévention des dégâts matériels	27
3	Protection de l'environnement et économies d'énergie	28
4	Description de l'appareil.....	29
5	Accessoires.....	31
6	Avant la première utilisation	32
7	Utilisation	33
8	Tournebroche.....	33
9	Fonctions de temps	34
10	Sécurité enfants	35
11	Nettoyage et entretien	36
12	Supports	39
13	Porte de l'appareil	39
14	Dépannage	41
15	Mise au rebut.....	42
16	Service après-vente	42
17	Comment faire.....	42
18	INSTRUCTIONS DE MONTAGE	45
18.1	Installation en toute sécurité.....	45

1 Sécurité

Respectez les consignes de sécurité suivantes.

1.1 Indications générales

- Lisez attentivement cette notice.
- Conservez la notice ainsi que les informations produit en vue d'une réutilisation ultérieure ou pour un futur nouveau propriétaire.
- Ne branchez pas l'appareil si ce dernier a été endommagé durant le transport.

1.2 Utilisation conforme

Cet appareil est conçu pour être encastré uniquement. Respecter les instructions de montage spécifiques.

Seul un personnel qualifié et agréé peut raccorder l'appareil sans fiche. En cas de dommages dus à un raccordement incorrect, il n'y a aucun droit à la garantie.

Utilisez l'appareil uniquement :

- pour préparer des aliments et des boissons.
- pour un usage privé et dans les pièces fermées d'un domicile.
- jusqu'à une altitude maximale de 2000 m au-dessus du niveau de la mer.

N'utilisez pas l'appareil :

- avec une minuterie externe ou une télécommande.

1.3 Restrictions du périmètre utilisateurs

Les enfants de 8 ans et plus, les personnes souffrant d'un handicap physique, sensoriel ou mental ou ne détenant pas l'expérience et/ou les connaissances nécessaires pourront utiliser cet appareil à condition de le faire sous surveillance, ou que son utilisation sûre leur ait été enseignée et qu'ils aient compris les dangers qui en émanent.

Les enfants ne sont pas autorisés à jouer avec l'appareil.

Les enfants ne doivent en aucun cas s'occuper du nettoyage et de la maintenance utilisateur, sauf s'ils sont âgés de 15 ans et plus et agissent sous surveillance.

Les enfants de moins de 8 ans doivent être tenus à distance de l'appareil et du cordon d'alimentation secteur.

1.4 Utilisation sûre

Insérez toujours correctement les accessoires dans le four.

→ "Accessoires", Page 31

AVERTISSEMENT – Risque d'incendie !

Les objets inflammables stockés dans le compartiment de cuisson peuvent prendre feu.

- ▶ N'entrez jamais d'objets inflammables dans le compartiment de cuisson.
- ▶ En cas d'émission de fumée, éteignez l'appareil ou désactivez le fusible et gardez la porte fermée pour éteindre les éventuelles flammes.

Les résidus alimentaires, la graisse et le jus de rôti peuvent s'enflammer.

- ▶ Avant utilisation, retirer les grosses salissures présentes dans le compartiment de cuisson, sur les résistances de chauffe et sur les accessoires.

Vous risquez de créer un courant d'air si vous ouvrez la porte de l'appareil. Le papier sulfurisé peut toucher les résistances chauffantes et s'enflammer.

- ▶ Ne posez jamais de papier sulfurisé non fixé sur un accessoire lors du préchauffage et pendant la cuisson.
- ▶ Coupez toujours le papier sulfurisé à la bonne taille et lestez-le avec un plat ou un moule de cuisson.

⚠ AVERTISSEMENT – Risque de brûlures !

Pendant leur utilisation, l'appareil et ses pièces accessibles deviennent très chauds.

- ▶ Il convient d'être prudent afin d'éviter tout contact avec les résistances chauffantes.
- ▶ Veuillez tenir à l'écart les enfants âgés de moins de 8 ans.

Les récipients ou les accessoires deviennent très chauds.

- ▶ Toujours utiliser des maniques pour retirer le récipient ou l'accessoire chaud du compartiment de cuisson.

Les vapeurs d'alcool peuvent s'enflammer dans un compartiment de cuisson chaud. La porte de l'appareil peut s'ouvrir violemment. Des vapeurs chaudes et des flammes peuvent s'échapper.

- ▶ Si votre plat contient de l'alcool fort, dosez-le uniquement en petite quantité.
- ▶ Ne faites pas chauffer de spiritueux (≥ 15 % vol.) à l'état non dilué (par ex. pour arroser des aliments).
- ▶ Ouvrez la porte de l'appareil avec précaution.

Les rails télescopiques deviennent chauds lors du fonctionnement de l'appareil.

- ▶ Laissez refroidir les rails télescopiques chauds avant de les toucher.
- ▶ Ne touchez les rails télescopiques chauds qu'avec des maniques.

⚠ AVERTISSEMENT – Risque de brûlure !

Les éléments accessibles deviennent chauds pendant le fonctionnement.

- ▶ Ne jamais toucher les éléments chauds.
- ▶ Éloigner les enfants.

De la vapeur chaude peut s'échapper lors de l'ouverture de la porte de l'appareil. La vapeur n'est pas visible selon sa température.

- ▶ Ouvrir la porte de l'appareil avec précaution.
- ▶ Éloignez les enfants.

La présence d'eau dans un compartiment de cuisson chaud peut générer de la vapeur d'eau chaude.

- ▶ Ne jamais verser d'eau dans le compartiment de cuisson chaud.

⚠ AVERTISSEMENT – Risque de blessure !

Un verre de porte d'appareil rayé peut se fendre.

- ▶ N'utilisez pas de nettoyeurs abrasifs ni de racloirs métalliques tranchants pour nettoyer la vitre de la porte du four, car ils peuvent rayer la surface.

L'appareil et ses pièces accessibles peuvent présenter des arêtes coupantes.

- ▶ Prudence lors de la manipulation et du nettoyage.
 - ▶ Si possible, portez des gants de protection.
- Les charnières de la porte de l'appareil bougent à l'ouverture et à la fermeture de la porte et vous pouvez vous pincer.
- ▶ Ne jamais mettre les doigts dans la zone des charnières.

Certaines pièces situées à l'intérieur de la porte de l'appareil peuvent présenter des arêtes coupantes.

- ▶ Portez des gants de protection.

⚠ AVERTISSEMENT – Risque d'électrocution !

Les réparations non conformes sont dangereuses.

- ▶ Seul un personnel dûment qualifié peut entreprendre des réparations sur l'appareil.
- ▶ Seules des pièces de rechange d'origine peuvent être utilisées pour réparer l'appareil.
- ▶ Afin d'écartier tout danger quand le cordon d'alimentation secteur de cet appareil est endommagé, seul le fabricant ou son service après-vente ou toute autre personne de qualification équivalente est habilitée à le remplacer.

Le cordon d'alimentation pose un danger si sa gaine de protection est endommagée.

- ▶ Ne mettez jamais en contact le cordon d'alimentation avec des sources de chaleur et des pièces chaudes de l'appareil.
- ▶ Ne mettez jamais en contact le cordon d'alimentation avec des pointes acérées ou arêtes tranchantes.
- ▶ Ne pliez, n'écrasez ou ne modifiez jamais le cordon d'alimentation.

L'infiltration d'humidité peut occasionner un choc électrique.

▶ Ne pas utiliser de nettoyeur vapeur ou haute pression pour nettoyer l'appareil. Un appareil endommagé ou un cordon d'alimentation secteur endommagé est dangereux.

- ▶ N'utilisez jamais un appareil endommagé.
 - ▶ Appelez le service après-vente.
- Page 42

⚠ AVERTISSEMENT – Risque d'asphyxie !

Les enfants risquent de s'envelopper dans les matériaux d'emballage ou de les mettre sur la tête et de s'étouffer.

- ▶ Conserver les matériaux d'emballage hors de portée des enfants.
- ▶ Ne jamais laisser les enfants jouer avec les emballages.

Les enfants risquent d'inhaler ou d'avaler des petits morceaux et s'étouffer.

- ▶ Conserver les petites pièces hors de portée des enfants.
- ▶ Ne pas laisser les enfants jouer avec les petites pièces.

1.5 Ampoule halogène

⚠ AVERTISSEMENT – Risque de brûlures !

Les ampoules du compartiment de cuisson deviennent très chaudes. Le risque de brûlure persiste encore un certain temps après les avoir éteintes.

- ▶ Ne touchez pas à l'ampoule en verre.
- ▶ Évitez tout contact avec la peau lors du nettoyage.

⚠ AVERTISSEMENT – Risque d'électrocution !

Lors du remplacement de la lampe, les contacts de la douille d'ampoule sont sous tension.

- ▶ Avant de changer la lampe, assurez-vous que l'appareil est éteint pour éviter tout risque de choc électrique.
- ▶ En outre, coupez le fusible dans la boîte à fusibles.

2 Prévention des dégâts matériels

2.1 De manière générale

ATTENTION !

Les vapeurs d'alcool peuvent s'enflammer dans le compartiment de cuisson chaud et entraîner des dommages durables sur l'appareil. En cas de déflagration, la porte de l'appareil peut s'ouvrir et, le cas échéant, tomber. Les vitres des portes peuvent se briser et se fendre. La dépression qui en résulte peut entraîner une forte déformation du compartiment de cuisson vers l'intérieur.

- ▶ Ne faites pas chauffer de spiritueux (≥ 15 % vol.) à l'état non dilué (par ex. pour arroser des aliments). L'eau qui se trouve sur le fond du compartiment de cuisson lors du fonctionnement de l'appareil à des températures supérieures à 120 °C endommage l'émail.
- ▶ Ne faites pas fonctionner l'appareil lorsque de l'eau se trouve sur le fond du compartiment de cuisson.
- ▶ Essuyez l'eau du fond du compartiment de cuisson avant toute utilisation.

Si vous placez des objets sur le fond du compartiment de cuisson au-delà de 50 °C, cela risque de provoquer une accumulation de chaleur. Les temps de cuisson ne correspondent alors plus et l'émail est endommagé.

- ▶ Ne placez pas d'accessoires, de papier sulfurisé ni de papier d'aluminium de quelque nature que ce soit sur le fond du compartiment de cuisson.
- ▶ Placez un récipient sur le fond du compartiment de cuisson uniquement lorsqu'une température inférieure à 50 °C est réglée.

La présence d'eau dans le compartiment de cuisson chaud peut générer de la vapeur d'eau. Le changement de température peut endommager le fond du compartiment de cuisson.

- ▶ Ne jamais verser d'eau dans le compartiment de cuisson chaud.
- ▶ Ne jamais placer de plat avec de l'eau sur le fond du compartiment de cuisson.

Une humidité prolongée dans le compartiment de cuisson favorise la formation de corrosion.

- ▶ Essuyer l'eau de condensation après chaque cuisson. Après un mode de fonctionnement à haute température, laissez refroidir le compartiment de cuisson uniquement avec la porte fermée.
- ▶ Ne conservez pas d'aliments humides dans le compartiment de cuisson pendant une longue durée.
- ▶ Ne stockez pas de plats dans le compartiment de cuisson.

▶ Ne coincez rien dans la porte de l'appareil.

Le jus de fruits qui goutte de la plaque laisse des taches définitives.

- ▶ Ne pas garnir trop la plaque à pâtisserie en cas de gâteaux aux fruits très juteux.

▶ Utiliser de préférence la lèchefrite à bords hauts.

Du produit de nettoyage pour four dans le compartiment de cuisson chaud endommage l'émail.

- ▶ Ne jamais utiliser de produit de nettoyage pour four dans un compartiment de cuisson chaud.
- ▶ Avant le réchauffement suivant, éliminer complètement les résidus du compartiment de cuisson et de la porte de l'appareil.

Si le joint est fortement encrassé, la porte de l'appareil ne se ferme plus correctement pendant le fonctionnement. Les façades des meubles adjacents peuvent être endommagées.

- ▶ Veillez à ce que le joint soit toujours propre.
- ▶ N'utilisez jamais l'appareil avec un joint endommagé ou sans joint.

L'utilisation de la porte de l'appareil comme surface d'assise ou de support peut endommager la porte de l'appareil.

- ▶ Ne montez pas, ne vous asseyez pas, ne vous suspendez pas et ne vous appuyez pas sur la porte de l'appareil.
- ▶ Ne pas déposer de récipients ou des accessoires sur la porte de l'appareil.

En fonction du modèle d'appareil, les accessoires risquent de griffer la vitre de la porte en refermant la porte de l'appareil.

- ▶ Toujours veiller à insérer les accessoires jusqu'à la butée dans le compartiment de cuisson.

Du film d'aluminium sur la vitre de la porte peut conduire à des décolorations définitives.

- ▶ Une feuille d'aluminium placée dans le compartiment de cuisson ne doit pas entrer en contact avec la vitre de la porte.

3 Protection de l'environnement et économies d'énergie

3.1 Élimination de l'emballage

Les emballages sont écologiques et recyclables.

- ▶ Veuillez éliminer les pièces détachées après les avoir triées par matière.



Éliminez l'emballage en respectant l'environnement.

Remarque :

L'appareil consomme :

- en mode veille avec l'écran allumé, max. 1 W
- en mode veille avec l'écran éteint, max. 0,5 W

3.2 Économies d'énergie

Si vous respectez les instructions suivantes, votre appareil consommera moins de courant.

Préchauffez l'appareil uniquement si la recette ou les recommandations de réglage le préconisent.

→ "Comment faire", Page 42

- Ne pas préchauffer l'appareil vous permet d'économiser jusqu'à 20 % d'énergie.

Utilisez des moules de couleur foncée, laqués noirs ou émaillés.

- Ces types de moule absorbent particulièrement bien la chaleur.

Ouvrez le moins possible la porte de l'appareil pendant son fonctionnement.

- La température du compartiment de cuisson est maintenue et l'appareil n'a pas besoin de chauffer.

Faites cuire plusieurs mets directement l'un après l'autre ou simultanément.

- Le compartiment de cuisson est chauffé après la première cuisson. Le temps de cuisson diminue ainsi pour le gâteau suivant.

Si les temps de cuisson sont longs, éteignez l'appareil 10 minutes avant la fin du temps de cuisson.

- La chaleur résiduelle est suffisante pour terminer de cuire le plat.

Retirez les accessoires non utilisés du compartiment de cuisson.

- Les accessoires inutiles ne doivent pas être chauffés.

Laissez décongeler les plats surgelés avant de les préparer.

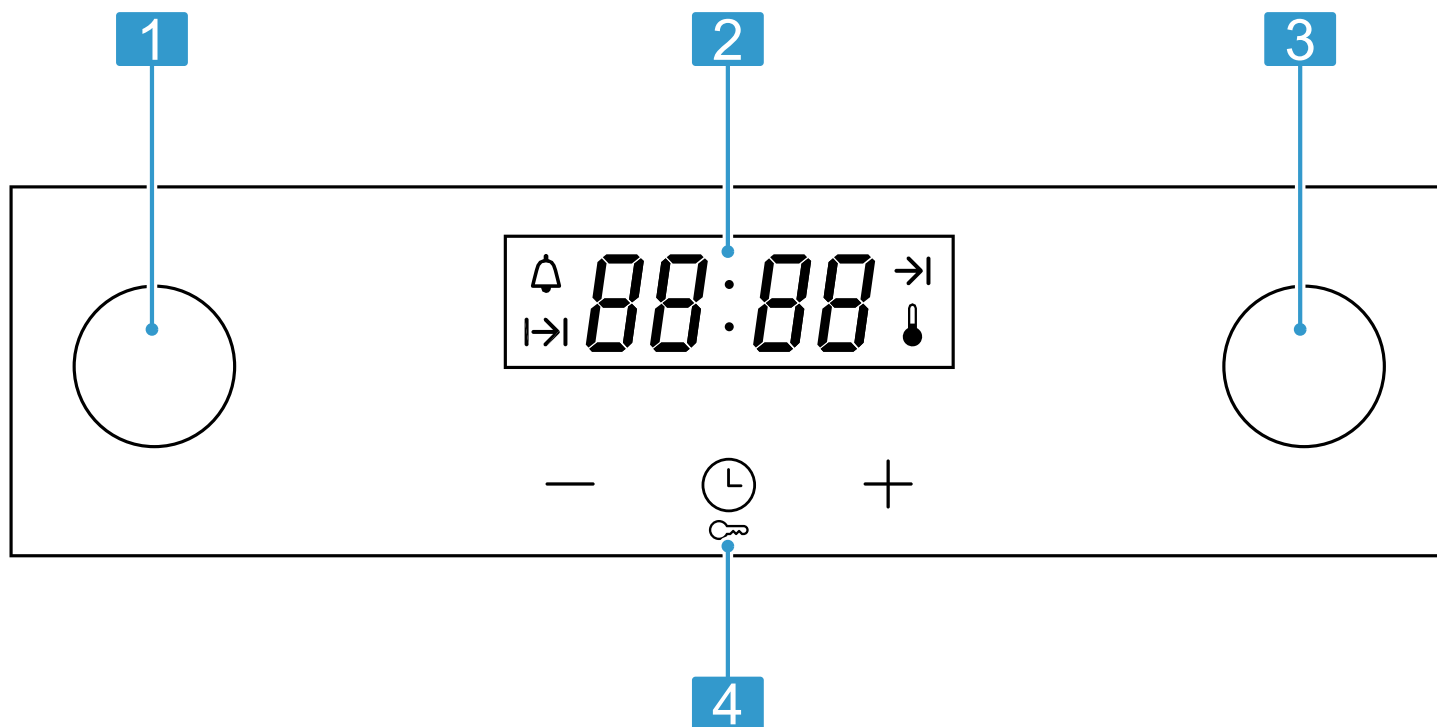
- Vous économisez ainsi l'énergie nécessaire pour décongeler les plats.

4 Description de l'appareil

4.1 Bandeau de commande

Le champ de commande vous permet de configurer toutes les fonctions de votre appareil et vous donne des informations sur l'état de fonctionnement.

Remarque : Selon le type d'appareil, les détails représentés sur la photo peuvent différer, p. ex. par sa couleur et sa forme.



1	Sélecteur de fonction	Le sélecteur de fonction vous permet de régler le mode de cuisson ou d'autres fonctionnalités. Vous pouvez tourner le sélecteur de fonction vers la gauche ou la droite à partir de la position zéro.
2	Affichage	L'affichage indique le symbole des fonctions actives et les fonctions de temps.
3	Sélecteur de température	Le sélecteur de température vous permet de régler la température pour le mode de cuisson. Vous pouvez tourner le sélecteur de température à gauche ou à droite.
4	Champs tactiles	Les champs tactiles vous permettent de régler directement différentes fonctions.

Touches

Les touches vous permettent de sélectionner directement différentes fonctions.


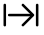
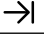
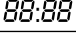

Remarque : Si une touche n'a aucune fonction, un signal retentit.

Symbole	Touche	Explication
	Fonctions de temps	Régler la minuterie, la durée, la fin et l'heure
—	Moins	Réduire la valeur de réglage
+	Plus	Augmenter la valeur de réglage
	Sécurité enfants	Activer et désactiver la sécurité enfants en mode veille

Affichage

L'écran affiche les valeurs de réglage actuelles ou les options de sélection.

La valeur que vous pouvez actuellement régler est mise en évidence. Elle apparaît en caractères blancs sur un fond foncé.










Symbole	Explication
	Minuterie
	Durée
	Fin
	Affichage de l'heure
	Voyant de chauffe

Sélecteur de température

Le sélecteur de température vous permet de régler la température.

4.2 Modes de cuisson et fonctions

Afin de vous permettre de toujours trouver le mode de cuisson adapté à vos plats, nous vous expliquons ici les différences et les utilisations.

Symbole	Mode de cuisson ou fonction	Température ou niveau	Utilisation
	Préchauffage rapide	50-250 °C	Pour préchauffer rapidement le four.
	Chaleur tournante 3D	50-250 °C	Préparer des plats sur 1-2 niveaux. La chaleur du collier chauffant situé dans la paroi arrière est répartie uniformément dans le compartiment de cuisson par les ventilateurs.
	Chaleur ventilée	50-250 °C	Cuire des gâteaux et pâtisseries sur un niveau. La chaleur de la résistance de chauffe est répartie uniformément dans le compartiment de cuisson par les ventilateurs.
	Chaleur de sole	50-250 °C	Poursuivre la cuisson. La chaleur est diffusée par la sole. La chaleur est diffusée par la sole.
	Gril, grande surface	50 – 250 °C	Griller des mets peu épais, par exemple des steaks, des saucisses ou des toasts, ou pour gratiner. Toute la surface située sous la résistance chauffante du gril est chauffée.
	Gril chaleur ventilée	50-220 °C	Cuire ou rôtir de la viande, de la volaille et du poisson entier. Le ventilateur répartit l'air chaud autour des aliments. Remarque : Si vous utilisez le gril à convection, réglez la température à 220 °C maximum.
	Chaleur voûte/sole Eco	50-250 °C	Pour la cuisson délicate de mets sélectionnés (par exemple viande, légumes) sur un niveau sans préchauffage. Ce mode de cuisson n'est pas adapté aux mets qui augmentent de volume pendant la cuisson (par ex. le pain).
	Convection naturelle	50-250 °C	Préparer des gâteaux, des soufflés et des pièces de rôti maigre. La chaleur est diffusée uniformément par la voûte et la sole.
	Tournebroche	50-250 °C	Rôtis, rôtis roulés et volailles


4.3 Compartiment de cuisson

Les fonctions du compartiment de cuisson facilitent l'utilisation de votre appareil.

Niveaux d'enfournement

Le compartiment de cuisson possède 4 niveaux d'enfournement.

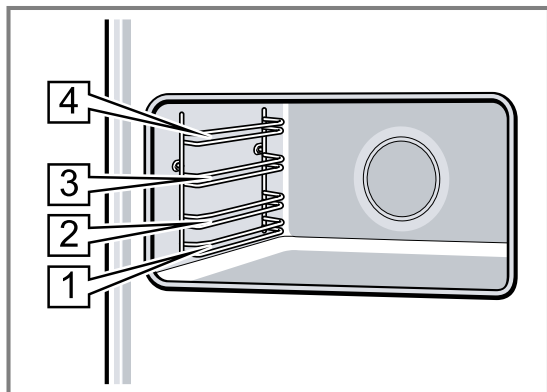
Voyant de chauffe

Lorsque l'appareil chauffe,  s'allume. Il s'éteint pendant les coupures de chauffe.

Si vous préchauffez l'appareil, placez le plat dans le compartiment de cuisson dès que le témoin de chauffe s'éteint pour la première fois.

Remarque : En raison de l'inertie thermique, la température affichée peut être légèrement différente de la température réelle du compartiment de cuisson.

Introduisez toujours l'accessoire jusqu'en butée, afin qu'il ne touche pas la vitre de la porte. Introduisez les accessoires dans le bon sens dans le compartiment de cuisson.



Surfaces autonettoyantes

La paroi arrière et les parois latérales du compartiment de cuisson sont autonettoyants. Les surfaces autonettoyantes du compartiment de cuisson sont revêtues d'une céramique mate et poreuse, et leur surface est rugueuse. Lorsque l'appareil est en marche, les surfaces autonettoyantes absorbent les éclaboussures de graisse provenant du rôtissage ou de la cuisson au gril, et les décomposent.

Éclairage du compartiment de cuisson

Dans la plupart des modes de fonctionnement, l'éclairage de l'enceinte de cuisson s'allume dès le démarrage du mode de fonctionnement. Il s'éteint lorsque l'appareil cesse de fonctionner.

Pour allumer l'éclairage du compartiment de cuisson lorsque l'appareil est éteint, placez le sélecteur de fonction sur une fonction autre que . Assurez-vous que le sélecteur de température reste sur la position zéro.

Ventilateur de refroidissement

Le ventilateur de refroidissement se met en marche et se coupe selon les besoins. L'air chaud s'échappe au-dessus de la porte de l'appareil.

ATTENTION !

La couverture des fentes d'aération entraîne une surchauffe de l'appareil.

► Ne pas couvrir les fentes d'aération.

Afin que le compartiment de cuisson refroidisse plus vite après un fonctionnement, le ventilateur continue de fonctionner pendant un certain temps.

Formation de condensation

Vous apprendrez ici comment la condensation se forme, comment éviter les dommages et comment réduire la formation de condensation.

La préparation d'aliments dans le compartiment de cuisson peut générer une importante quantité de vapeur d'eau dans le compartiment de cuisson. Votre appareil étant très économe en énergie, il laisse très peu de chaleur s'échapper pendant son fonctionnement. En raison des grandes différences de température entre l'intérieur de l'appareil et les parties extérieures de l'appareil, de l'eau de condensation peut se déposer sur la porte de l'appareil, le bandeau de commande ou les habillages de porte meuble avoisinants. La formation d'eau de condensation est un phénomène physique normal.

Afin d'éviter tout dommage, essuyez l'eau de condensation. Si de l'eau de condensation s'accumule dans la gouttière, retirez-la à l'aide d'une éponge. Un trop-plein de gouttière peut endommager le meuble encastré.

Laissez sécher l'appareil avec la porte ouverte.

Si vous préchauffez l'appareil, vous réduisez la formation de condensation.

5 Accessoires

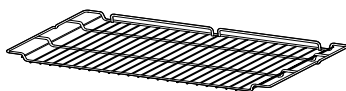
Utilisez uniquement des accessoires d'origine. Ils ont été spécialement conçus pour votre appareil.

Remarque : Lorsque l'accessoire devient chaud, il peut se déformer. Cette déformation n'a aucun effet sur sa fonction. Quand il refroidit, la déformation disparaît.

Les accessoires livrés peuvent diverger en fonction du type d'appareil.

Accessoires

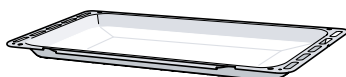
Grille combinée



Utilisation

- Vaisselle
- Moules à gâteau
- Viande, par ex. rôtis ou pièces à griller
- Plats surgelés

Lèche-frite

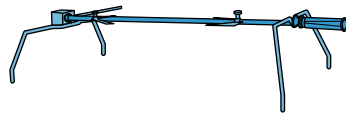


- Gâteaux moelleux
- Pâtisseries
- Plats surgelés
- Gros rôtis

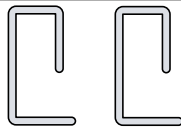
Conseil : Vous pouvez utiliser la lèche-frite comme récipient de récupération des graisses si vous grillez directement sur la grille.

Accessoires

Tournebroche



Tiges de sécurité



Utilisation

- Rôtissage de morceaux de viande
- Rôtissage de grosses volailles

Remarque : À utiliser uniquement avec la plaque à pâtisserie émaillée.

Verrouiller les charnières.

Remarque : Ne jetez pas les tiges de sécurité. Conservez les tiges de sécurité dans un endroit sûr. Vous avez toujours besoin des tiges de sécurité lorsque vous retirez la porte de l'appareil ou lorsque vous nettoyez les vitres de la porte.

5.1 Autres accessoires

Vous pouvez acheter des accessoires auprès du service après-vente, dans les commerces spécialisés ou sur Internet.

Vous trouverez un large choix d'accessoires pour votre appareil sur Internet ou dans nos brochures :

www.bosch-home.com

Les accessoires sont spécifiques à l'appareil. Lors de l'achat, indiquez toujours la désignation exacte de votre appareil (E-Nr.).

Pour connaître les accessoires disponibles pour votre appareil, consultez notre boutique en ligne ou le service après-vente.

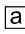
Autres accessoires	Utilisation
Grille combinée	<ul style="list-style-type: none"> ■ Vaisselle ■ Moules à gâteau ■ Viande, par ex. rôtis ou pièces à griller ■ Plats surgelés
Plaque à pâtisserie	<ul style="list-style-type: none"> ■ Gâteau cuit sur une plaque ■ Petites pâtisseries
Lèche-frite	<ul style="list-style-type: none"> ■ Gâteaux moelleux ■ Pâtisseries ■ Plats surgelés ■ Gros rôtis
Jeu de rails télescopiques	Jeu de rails télescopiques pour un niveau

5.2 Fonction d'arrêt


La fonction d'arrêt empêche le basculement de l'accessoire lors de son extraction.

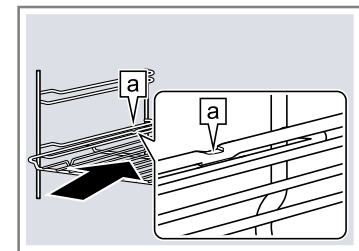
Vous pouvez retirer l'accessoire à peu près à mi-chemin jusqu'à ce qu'il s'enclenche en place. Insérez l'accessoire dans le bon sens dans le compartiment de cuisson pour que la sécurité anti-basculement fonctionne.

5.3 Insérer les accessoires dans le compartiment de cuisson

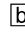
1. Tournez l'accessoire de manière à ce que l'encoche  se trouve à l'arrière et pointe vers le bas.
2. Introduisez l'accessoire entre les deux barres de guidage d'un niveau d'enfournement.

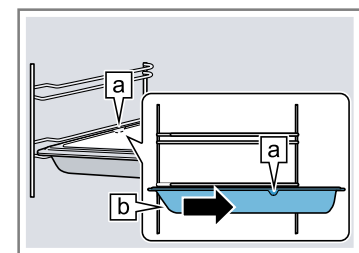
Grille combinée

Le côté ouvert doit être orienté vers la porte de l'appareil et la courbure vers le bas .



Plaque, par ex. lèche-frite ou plaque à pâtisserie

La partie inclinée de l'accessoire  doit être orientée vers l'avant en direction de la porte de l'appareil.



3. Introduisez complètement l'accessoire pour qu'il ne touche pas la porte de l'appareil.

Remarque : Retirez du compartiment de cuisson les accessoires dont vous n'avez pas besoin pendant le fonctionnement.

6 Avant la première utilisation

Effectuez les réglages pour la première mise en service. Nettoyez l'appareil et les accessoires.

6.1 Régler l'heure

Après le raccordement, 12:00 clignote dans l'affichage. Réglez l'heure.

1. Réglez l'heure avec + ou -.


- Appuyez sur .

Remarque : Après écoulement du délai de réglage, l'heure est automatiquement mémorisée.

6.2 Nettoyer l'appareil avant la première utilisation

Avant de préparer des mets pour la première fois avec l'appareil, nettoyez le compartiment de cuisson et les accessoires.

- Retirez les accessoires et les supports du compartiment de cuisson. → Page 39
- Retirez tous les éléments de l'emballage, par ex. pièces de polystyrène, du compartiment de cuisson.
- Certaines parties sont recouvertes d'un film protecteur. Retirez le film protecteur.
- Nettoyez l'extérieur de l'appareil avec un chiffon doux et humide.
- Nettoyez le compartiment de cuisson avec du produit de nettoyage.

- Pour éliminer l'odeur du neuf, faites chauffer l'appareil à vide et fermé.
- Tournez le sélecteur de fonction sur .
- Réglez la température maximale.
Si vous faites chauffer l'appareil pour la première fois, il se peut que vous entendiez des crépitements provenant du compartiment de cuisson.
- Aérez la cuisine tant que l'appareil chauffe.
- Éteignez l'appareil au bout d'1 heure.
- Laissez refroidir l'appareil.
- Lorsque le compartiment de cuisson est refroidi, nettoyez les surfaces lisses avec du produit de nettoyage.
- Installez les supports. → Page 39
- Si nécessaire, nettoyez les vitres de la porte. → Page 39

6.3 Nettoyage des accessoires

- Nettoyer soigneusement les accessoires avec du produit de nettoyage et une lavette douce.

7 Utilisation

7.1 Mettre l'appareil sous tension

- Réglez le mode de cuisson à l'aide du sélecteur de fonction.
 - Réglez la température à l'aide du sélecteur de température.
- ✓ L'appareil commence à chauffer.

Remarque : Le contrôle de la température indique le statut actuel de la chauffe.

7.2 Modifier le mode de cuisson et la température

- Modifiez le mode de cuisson à l'aide du sélecteur de fonction.
- Modifiez la température à l'aide du sélecteur de température.

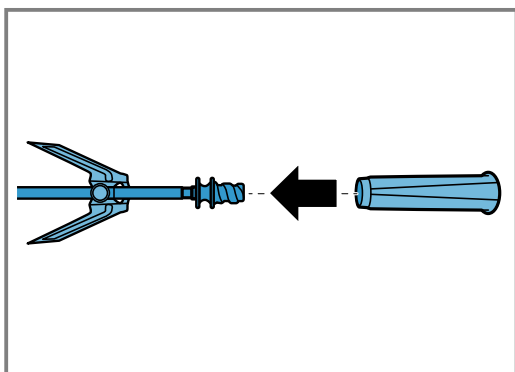
7.3 Éteindre l'appareil

- Réglez le sélecteur de fonction sur la position zéro.

8 Tournebroche

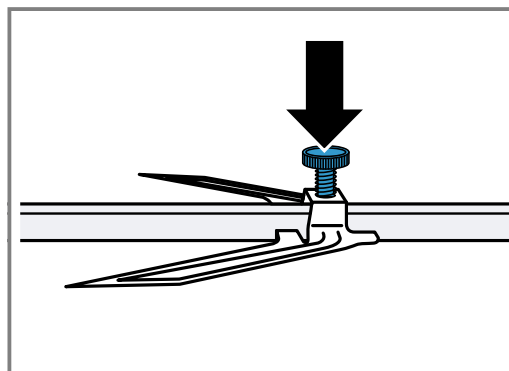
8.1 Préparer le tournebroche

- Glissez un crochet de maintien sur le tournebroche et vissez la poignée.



- Faites glisser le rôti au centre du tournebroche.
- Fixez le rôti à l'aide des crochets de maintien.

- Bloquez les crochets de maintien avec des vis moletées.



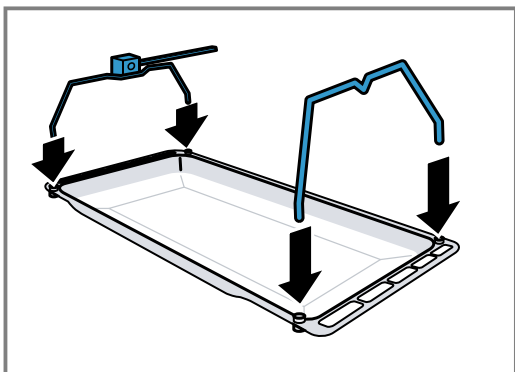
8.2 Mettre en place le tournebroche

⚠ AVERTISSEMENT – Risque de brûlures !

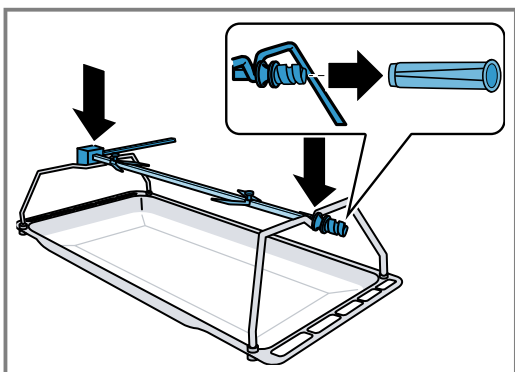
Pendant leur utilisation, l'appareil et ses pièces accessibles deviennent très chauds.

- ▶ Il convient d'être prudent afin d'éviter tout contact avec les résistances chauffantes.
- ▶ Veuillez tenir à l'écart les enfants âgés de moins de 8 ans.

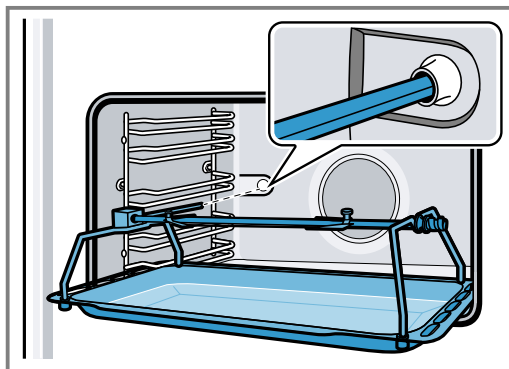
1. Insérez le cadre du tournebroche dans les douilles filetées.



2. Placez le tournebroche sur le cadre du tournebroche et dévissez la poignée.



3. Insérez la lèche-frite au niveau d'enfournement 1 et insérez le tournebroche dans le logement du moteur.



4. Pour mieux récupérer la graisse qui s'égoutte, versez un peu d'eau dans la lèche-frite.
5. Fermez la porte de l'appareil.

8.3 Activer le tournebroche

Remarque : Si vous utilisez le tournebroche, préchauffez l'appareil avec le mode de cuisson . Insérez le tournebroche avant de régler la fonction de cuisson .

1. Réglez le sélecteur de fonction sur .
2. Réglez la température.

8.4 Retirer le tournebroche

⚠ AVERTISSEMENT – Risque de brûlures !

Pendant leur utilisation, l'appareil et ses pièces accessibles deviennent très chauds.

- ▶ Il convient d'être prudent afin d'éviter tout contact avec les résistances chauffantes.
- ▶ Veuillez tenir à l'écart les enfants âgés de moins de 8 ans.

1. Ouvrez la porte de l'appareil.
2. Retirez lentement la lèche-frite jusqu'à ce qu'elle dépasse à moitié du compartiment de cuisson.
3. Retirez complètement la lèche-frite du compartiment de cuisson et posez-la sur le plan de travail.
4. Vissez la poignée sur le tournebroche.
5. Retirez le tournebroche du cadre du tournebroche en le tenant par la poignée.

9 Fonctions de temps

9.1 Aperçu des fonctions de temps

Vous trouverez ici un aperçu des fonctions de temps.



Symbole	Fonction de temps	Utilisation
	Minuterie courte durée	La minuterie courte durée fonctionne comme un minuteur de cuisine. Elle marche indépendamment du mode de fonctionnement et d'autres fonctions de temps, et n'a aucune influence sur l'appareil.
	Heure	Tant qu'aucune autre fonction n'est en cours en arrière-plan, l'appareil affiche l'heure.

Symbole	Fonction de temps	Utilisation
⏪	Durée	Après écoulement d'une durée réglée, l'appareil s'arrête automatiquement de fonctionner.
→	Fin	Indiquez la durée et une heure de fin souhaitée. L'appareil démarre automatiquement, de sorte que le fonctionnement soit terminé à l'heure souhaitée.

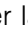
9.2 Régler la minuterie courte durée

La minuterie courte durée n'a pas d'influence sur les fonctions du four.

Remarque : Vous pouvez régler la durée de la minuterie courte durée de 1 minute à 23 heures et 59 minutes. Jusqu'à 10 minutes, vous pouvez régler la durée par pas de 30 secondes, de 10 minutes à une heure par pas d'une minute et ensuite par pas de 5 minutes.

- Appuyez sur .
- ✓  s'allume.
- Réglez la durée souhaitée avec $+$ et $-$.
- ✓ Un signal retentit après écoulement de la durée.

Remarques

- Pour modifier la durée restante, appuyez sur  et modifiez la durée restante avec $+$ ou $-$.
- Pour annuler la minuterie, réglez le temps restant sur zéro.

Désactiver le signal sonore

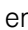
- ▶ Appuyez sur n'importe quelle touche pour éteindre le signal sonore.

Remarque : Le signal s'éteint automatiquement peu de temps après.

9.3 Régler l'heure


Si nécessaire, vous pouvez changer l'heure, par exemple passer de l'heure d'été à l'heure d'hiver.

Condition : L'appareil est éteint.

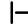
- Maintenez  enfoncé jusqu'à ce que l'heure clignote.
- Réglez l'heure avec $+$ et $-$.

9.4 Régler la durée

Vous pouvez régler la durée de cuisson de votre plat sur votre appareil. Ainsi, la durée de cuisson ne sera pas dépassée involontairement et vous ne devrez pas interrompre vos autres occupations pour mettre fin au fonctionnement.

- Réglez le mode de cuisson et la température.
- ✓ L'appareil démarre.
- Appuyez deux fois sur .
- Réglez la durée avec $+$ et $-$.

Vous pouvez régler la durée de 1 minute à 23 heures et 59 minutes. Vous pouvez régler la durée par tranches d'une minute jusqu'à une heure, puis par tranches de 5 minutes.

- ✓  s'allume.


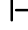

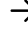
Mettre fin au fonctionnement

Un signal sonore retentit lorsque la durée est écoulee. L'appareil cesse de chauffer.

- Appuyez sur n'importe quelle touche pour éteindre le signal sonore.
Le signal s'éteint automatiquement peu de temps après.
- Réglez le sélecteur de fonction sur la position zéro.

9.5 Régler la fin

Le fonctionnement commence pour la durée définie à un moment ultérieur de votre choix.

- Réglez le mode de cuisson et la température.
- ✓ L'appareil démarre.
- Appuyez deux fois sur .
- Réglez la durée avec $+$ et $-$.
Vous pouvez régler la durée de 1 minute à 23 heures et 59 minutes. Vous pouvez régler la durée par tranches d'une minute jusqu'à une heure, puis par tranches de 5 minutes.
- ✓  s'allume.
- Appuyez sur .
- Réglez le temps avec $+$ ou $-$.
Lors de la première pression d'une touche, l'écran affiche une valeur par défaut. La valeur par défaut résulte de l'heure actuelle et de la durée.
- ✓  s'allume.
- ✓ L'écran affiche l'heure de fin. L'appareil passe en mode attente.

Mettre fin au fonctionnement

Un signal sonore retentit lorsque la durée est écoulee. L'appareil cesse de chauffer.

- Appuyez sur n'importe quelle touche pour éteindre le signal sonore.
Le signal s'éteint automatiquement peu de temps après.
- Réglez le sélecteur de fonction sur la position zéro.


10 Sécurité enfants

Protégez votre appareil afin que les enfants ne puissent pas l'allumer par mégarde ni en modifier les réglages.


Si vous avez raccordé une table de cuisson au four, celle-ci n'est pas verrouillée.

10.1 Activer la sécurité enfants

Condition : Aucune durée ni fin n'est réglée.

- ▶ Appuyez environ 4 secondes sur .
- ✓ *SAFE* apparaissent dans l'affichage.

10.2 Désactiver la sécurité enfants

- ▶ Appuyez environ 4 secondes sur .
- ✓ *SAFE* s'éteignent dans l'affichage.

11 Nettoyage et entretien

Pour que votre appareil reste longtemps opérationnel, nettoyez-le et entretenez-le avec soin.

11.1 Produits de nettoyage

Afin d'éviter d'endommager les différentes surfaces de l'appareil, n'utilisez pas de produits de nettoyage inappropriés.

⚠ AVERTISSEMENT – Risque d'électrocution !

L'infiltration d'humidité peut occasionner un choc électrique.

- ▶ Ne pas utiliser de nettoyeur vapeur ou haute pression pour nettoyer l'appareil.

ATTENTION !

Les produits de nettoyage inappropriés endommagent les surfaces de l'appareil.

- ▶ N'utilisez pas de produits de nettoyage agressifs ou abrasifs.
- ▶ N'utilisez pas de produits de nettoyage fortement alcoolisés.

11.2 Produits de nettoyage appropriés

Utilisez uniquement des produits de nettoyage adaptés pour les différentes surfaces de votre appareil.

- ▶ N'utilisez pas de tampon abrasif ni d'éponge en laine d'acier.
- ▶ N'utilisez pas de nettoyant spécial pour le nettoyage à chaud.
- ▶ Utilisez uniquement des nettoyants pour vitres, des raclours à verre ou des produits d'entretien pour acier inox si ceux-ci sont recommandés dans les instructions de nettoyage de la pièce correspondante.

Du produit de nettoyage pour four dans le compartiment de cuisson chaud endommage l'émail.

- ▶ Ne jamais utiliser de produit de nettoyage pour four dans un compartiment de cuisson chaud.
- ▶ Avant le réchauffement suivant, éliminer complètement les résidus du compartiment de cuisson et de la porte de l'appareil.

Le sel présent dans les lavettes éponges neuves peut endommager les surfaces.

- ▶ Lavez soigneusement les lavettes éponges neuves avant de les utiliser.

Extérieur de l'appareil

Respectez les instructions de nettoyage de l'appareil.

Surface	Produits de nettoyage appropriés	Remarques
Façade en acier inox	<ul style="list-style-type: none"> ■ Produit de nettoyage chaud ■ Produits de nettoyage spéciaux pour les surfaces chaudes en acier inox 	Pour éviter la corrosion sur les façades en acier inoxydable, enlevez immédiatement les taches de calcaire, de graisse, de féculés et de protéines. Appliquez une fine pellicule de produit d'entretien pour acier inox.
Bandeau de commande	Produit de nettoyage chaud	Nettoyez avec une lavette et séchez avec un chiffon doux. N'utilisez pas de nettoyant pour vitres ni de raclour à verre.
Vitres de la porte	Produit de nettoyage chaud	Nettoyez avec une lavette et séchez avec un chiffon doux. N'utilisez pas de raclour à verre ni d'éponge spirale inox.
Poignée de la porte	Produit de nettoyage chaud	Nettoyez avec une lavette et séchez avec un chiffon doux. Pour éviter les taches indélébiles, retirez immédiatement le détartrant de la poignée de la porte.

Intérieur de l'appareil

Surface	Produits de nettoyage appropriés	Remarques
Surfaces émaillées	<ul style="list-style-type: none"> ■ Produit de nettoyage chaud ■ Eau vinaigrée ■ Nettoyants pour four 	<p>Nettoyez avec une lavette et séchez avec un chiffon doux.</p> <p>Faites ramollir les restes d'aliments carbonisés à l'aide d'un chiffon humide et d'un produit de nettoyage.</p> <p>En cas d'encrassement important, utilisez une spirale à récurer en inox ou un produit de nettoyage pour four.</p> <p>Après le nettoyage, laissez le compartiment de cuisson ouvert afin qu'il sèche.</p> <p>Remarque : Des dépôts blancs peuvent se former à cause des résidus d'aliments. Ces dépôts ne présentent aucun risque pour la santé et n'influencent pas le fonctionnement de l'appareil. Vous pouvez éliminer les dépôts avec de l'acide citrique.</p>
Surfaces autonettoyantes		<p>Veillez tenir compte des consignes concernant les surfaces du compartiment de cuisson figurant à la suite du tableau.</p> <p>→ "Nettoyer les surfaces autonettoyantes", Page 38</p>
Couvercle en verre de l'éclairage du compartiment de cuisson	<ul style="list-style-type: none"> ■ Produit de nettoyage chaud ■ Nettoyants pour four 	<p>Nettoyez avec une lavette et séchez avec un chiffon doux.</p> <p>En cas de fort encrassement, utilisez un nettoyant pour four.</p>
Vitres de la porte	Produit de nettoyage chaud	<p>Nettoyez avec une lavette et séchez avec un chiffon doux.</p> <p>N'utilisez pas de racloir à verre ni d'éponge spirale inox.</p> <p>Conseil : Nettoyez les vitres de la porte de préférence en même temps que le compartiment de cuisson.</p> <p>→ "Nettoyer le compartiment de cuisson", Page 38</p>
Joint de porte	Produit de nettoyage chaud	<p>Nettoyez avec une lavette.</p> <p>Ne retirez pas le joint de porte et ne le récuriez pas.</p>
Recouvrement de la porte en inox	Nettoyant pour acier inoxydable	<p>Respectez les indications des fabricants.</p> <p>N'utilisez pas de nettoyant pour vitres ni de racloir à verre.</p> <p>N'utilisez pas de produit d'entretien pour inox.</p> <p>Conseil : Retirez de préférence le recouvrement de la porte.</p>
Recouvrement de la porte en plastique	Produit de nettoyage chaud	<p>N'utilisez pas de nettoyant pour vitres ni de racloir à verre.</p> <p>N'utilisez pas de produit d'entretien pour inox.</p> <p>Conseil : Retirez de préférence le recouvrement de la porte.</p>
Supports	Produit de nettoyage chaud	<p>Mettez à tremper et nettoyez avec une lavette ou une brosse.</p>
Système télescopique	Produit de nettoyage chaud	<p>Nettoyez avec une lavette ou une brosse.</p> <p>Afin de ne pas éliminer la graisse de lubrification, nettoyez les rails télescopiques en position rentrée.</p> <p>Ne les passez pas au lave-vaisselle.</p>
Accessoires	Produit de nettoyage chaud	<p>Mettez à tremper et nettoyez avec une lavette ou une brosse.</p> <p>Si l'accessoire est très sale, nettoyez-le avec une spirale en acier inoxydable.</p> <p>Conseil : Vous pouvez nettoyer les accessoires émaillés au lave-vaisselle.</p>

Remarques

- De légères différences de teintes apparaissent sur la face avant de l'appareil en raison des différents matériaux tels que le verre, le plastique ou le métal.

- Les ombres ressemblant à des stries sur les vitres de la porte sont des reflets de l'éclairage du compartiment de cuisson.

- L'émail est cuit à des températures très élevées. Ceci peut engendrer des différences de teintes. Les différences de couleur sont normales et ne nuisent pas au fonctionnement. Les bords de plaques minces ne peuvent pas être émaillés complètement et peuvent par conséquent être rugueux. Cela n'affecte pas la protection contre la corrosion.

11.3 Nettoyer l'appareil

Nettoyez l'appareil comme indiqué, afin de ne pas endommager les différentes surfaces et pièces par un nettoyage incorrect ou par des produits de nettoyage non appropriés.

⚠ AVERTISSEMENT – Risque de brûlures !

Pendant leur utilisation, l'appareil et ses pièces accessibles deviennent très chauds.

- ▶ Il convient d'être prudent afin d'éviter tout contact avec les résistances chauffantes.
- ▶ Veuillez tenir à l'écart les enfants âgés de moins de 8 ans.

⚠ AVERTISSEMENT – Risque d'incendie !

Les résidus alimentaires, la graisse et le jus de rôti peuvent s'enflammer.

- ▶ Avant utilisation, retirer les grosses salissures présentes dans le compartiment de cuisson, sur les résistances de chauffe et sur les accessoires.

Condition : Respectez les instructions concernant les produits de nettoyage.

→ "Produits de nettoyage", Page 36

1. Nettoyez l'appareil avec du produit de nettoyage chaud et une lavette.
Pour certaines surfaces, vous pouvez utiliser des produits de nettoyage alternatifs.
→ "Produits de nettoyage appropriés", Page 36
2. Séchez avec un chiffon doux.

Conseils

- Si vous nettoyez le compartiment de cuisson après chaque utilisation, les salissures ne peuvent pas brûler.
- Retirez toujours immédiatement les taches de calcaire, de graisse, d'amidon et de blanc d'œuf.

Remarque : Utilisez la lèchefrite pour faire cuire des gâteaux très humides.

Conseil : Pour maintenir propre le compartiment de cuisson, utilisez un récipient approprié, par ex. une cocotte.


11.4 Nettoyer le compartiment de cuisson

⚠ AVERTISSEMENT – Risque de brûlures !

Pendant leur utilisation, l'appareil et ses pièces accessibles deviennent très chauds.

- ▶ Il convient d'être prudent afin d'éviter tout contact avec les résistances chauffantes.
- ▶ Veuillez tenir à l'écart les enfants âgés de moins de 8 ans.

Condition : Le compartiment de cuisson est complètement refroidi.

1. Versez 0,4 litre d'eau au centre du fond du compartiment de cuisson.
N'utilisez pas d'eau distillée.
2. Réglez  à l'aide du sélecteur de fonction.

3. Réglez le sélecteur de température sur 50°C.
4. Pendant le nettoyage, vérifiez que l'eau qui se condense dans la gouttière sous la porte de l'appareil ne déborde pas.
 - Si nécessaire, absorbez l'eau avec une éponge.
5. Éteignez l'appareil au bout de 18 minutes.
6. Laissez refroidir l'appareil.
7. Nettoyez le compartiment de cuisson avec un chiffon.

11.5 Nettoyer les surfaces autonettoyantes

Les surfaces autonettoyantes sont revêtues d'une céramique mate, hautement poreuse. Les projections de la cuisson et du rôtissage sont absorbées et décomposées par cette couche pendant le fonctionnement de l'appareil.

Condition : Le compartiment de cuisson est refroidi.

- ▶ Nettoyez les résidus de couleur brun ou blanc avec de l'eau et une éponge douce.

Remarque : Des taches peuvent se former sur les surfaces autonettoyantes. Les résidus de sucre et de protéines des aliments ne sont pas décomposés et restent sur les surfaces. Les taches rougeâtres sont des résidus d'aliments salés, et non de la rouille. Ces taches ne sont pas dangereuses pour la santé. Ces taches ne compromettent pas la capacité de nettoyage des surfaces autonettoyantes.

11.6 Changer l'ampoule du compartiment de cuisson

Si l'éclairage du compartiment de cuisson est défectueux, changez-en.

Remarque : Des ampoules halogènes de 230 V, 40 W, G9 sont en vente dans le commerce spécialisé ou auprès du service après-vente. Utilisez exclusivement ces ampoules. Utilisez uniquement un chiffon propre et sec pour toucher les nouvelles ampoules halogènes. Cela prolonge la durée de vie de l'ampoule.

⚠ AVERTISSEMENT – Risque de brûlures !

Pendant leur utilisation, l'appareil et ses pièces accessibles deviennent très chauds.

- ▶ Il convient d'être prudent afin d'éviter tout contact avec les résistances chauffantes.
- ▶ Veuillez tenir à l'écart les enfants âgés de moins de 8 ans.

⚠ AVERTISSEMENT – Risque d'électrocution !

Lors du remplacement de la lampe, les contacts de la douille d'ampoule sont sous tension.

- ▶ Avant de changer la lampe, assurez-vous que l'appareil est éteint pour éviter tout risque de choc électrique.
- ▶ De plus, débranchez la fiche secteur ou coupez le fusible dans le boîtier à fusibles.

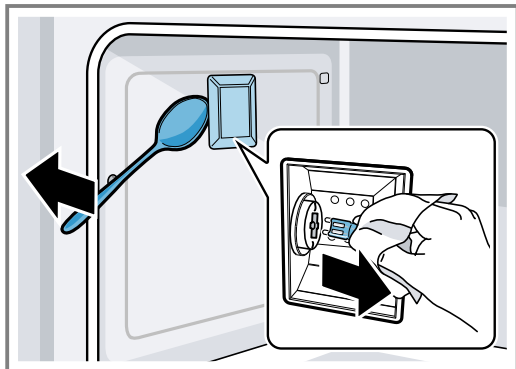
Conditions

- Le fusible / disjoncteur a été retiré / se trouve en position éteinte.
- Le compartiment de cuisson est refroidi.
- Une nouvelle ampoule halogène est disponible pour le remplacement.

1. Ouvrez la porte de l'appareil.

2. Pour éviter tout endommagement, placez un torchon dans le compartiment de cuisson.
3. Retirez les accessoires et les supports du compartiment de cuisson. → Page 39
4. Retirez le couvercle en verre.
S'il est difficile d'ouvrir le couvercle en verre de face avec la main, utilisez une cuillère comme aide.
5. Retirez l'ampoule du compartiment de cuisson.

6. Remplacez l'ampoule du compartiment de cuisson par une ampoule du même type.
7. Remettez en place le cache en verre de l'ampoule du four.
8. Installez les supports. → Page 39
9. Retirez le torchon à vaisselle.
10. Réarmez le fusible.
11. Vérifiez que l'éclairage du four refunctionalise.



12 Supports

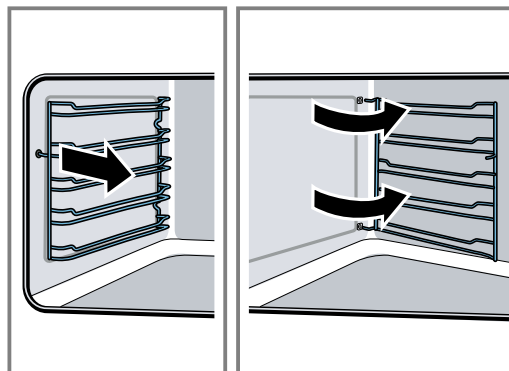
Pour nettoyer soigneusement les supports et le compartiment de cuisson ou pour changer les supports, vous pouvez décrocher ceux-ci.

12.1 Décrocher les supports

Les supports sont fixés respectivement à 3 points aux parois latérales dans le compartiment de cuisson.

1. Saisissez les supports sur le devant et tirez-les vers le milieu du compartiment de cuisson.
- ✓ Le crochet avant du support se détache du trou.

2. Ouvrez davantage les supports et retirez-les des trous arrière de la paroi latérale.



3. Retirez les supports du compartiment de cuisson.

12.2 Accrocher les supports

1. Engagez les crochets du support dans les trous arrière de la paroi latérale.
2. Poussez le crochet avant du support dans le trou.

13 Porte de l'appareil

Si vous entretenez et nettoyez soigneusement votre appareil il gardera longtemps l'aspect du neuf et restera opérationnel. Vous apprendrez ici comment nettoyer la porte de l'appareil.

Remarque : Pour que la porte de l'appareil ne touche pas le meuble encastré, la porte de l'appareil s'ouvre à un peu moins de 90°.

13.1 Démontez les vitres de la porte

Pour faciliter le nettoyage, vous pouvez démonter les vitres de la porte de l'appareil.

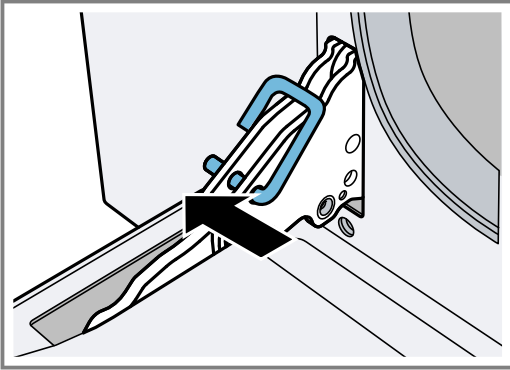
⚠ AVERTISSEMENT – Risque de blessure !

Un verre de porte d'appareil rayé peut se fendre.

- ▶ N'utilisez pas de nettoyants abrasifs ni de raclours métalliques tranchants pour nettoyer la vitre de la porte du four, car ils peuvent rayer la surface.

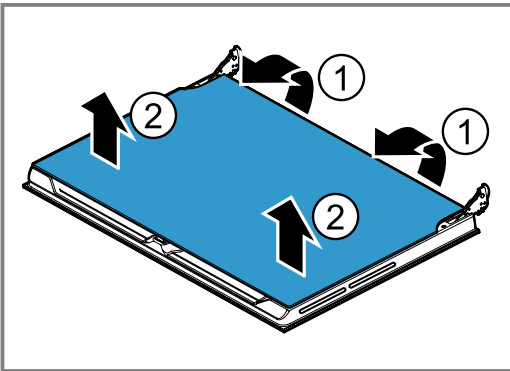
1. Ouvrez complètement la porte de l'appareil.

2. Bloquez les deux charnières à gauche et à droite avec les tiges de sécurité.



Les tiges de sécurité doivent être complètement introduites dans les trous des charnières.

3. Levez la partie inférieure de la vitre intérieure avec les deux mains jusqu'à ce que les tiges de fixation sortent de la fixation. ①
4. Levez délicatement la partie supérieure de la vitre intérieure, jusqu'à ce que les tiges de fixation sortent de la fixation. ②



5. Déposez la vitre intérieure et placez-la avec précaution sur une surface plane.
6. Nettoyez les vitres de porte avec un nettoyant pour vitres et un chiffon doux.

13.2 Monter les vitres de la porte

1. Insérez la vitre intérieure.
Les quatre tiges de fixation doivent s'enclencher dans les fixations prévues à cet effet.
2. Enlevez les tiges de sécurité et fermez la porte de l'appareil.

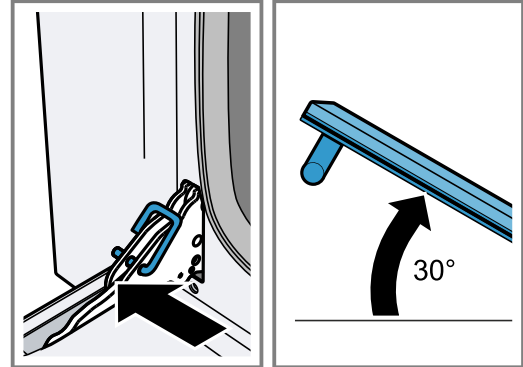
Remarque : Ne jetez pas les tiges de sécurité. Conservez les tiges de sécurité dans un endroit sûr. Vous avez toujours besoin des tiges de sécurité lorsque vous retirez la porte de l'appareil ou lorsque vous nettoyez les vitres de la porte. Si vous n'avez pas de tiges de sécurité, vous pouvez en commander auprès du service après-vente.

13.3 Décrocher la porte de l'appareil

En cas d'encrassement particulièrement important, vous pouvez décrocher la porte de l'appareil pour faciliter le nettoyage.

1. Ouvrez complètement la porte de l'appareil.
2. Bloquez les deux charnières à gauche et à droite avec les tiges de sécurité.

- Les tiges de sécurité doivent être complètement introduites dans les trous des charnières.
3. Saisissez la porte de l'appareil latéralement avec les deux mains et fermez-la à environ 30 degrés.



Ne fermez pas complètement la porte de l'appareil. Cela risque de tordre les charnières et d'endommager l'émail.

4. Soulevez légèrement la porte de l'appareil et retirez-la complètement.

13.4 Accrocher la porte de l'appareil

⚠ AVERTISSEMENT – Risque de blessure !

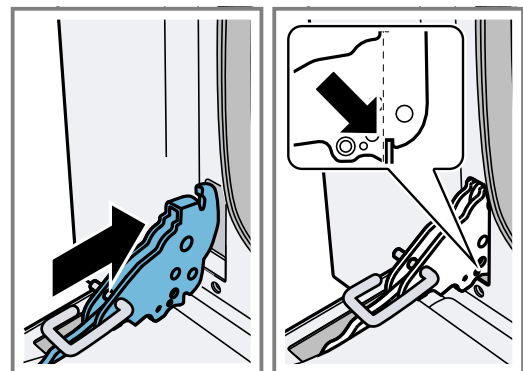
Si les charnières ne sont pas bloquées à cause d'un loquet incomplet, elles peuvent se fermer violemment.

- ▶ Si la charnière se referme lors du décrochage ou de l'accrochage de la porte de l'appareil, ne mettez pas la main dans la charnière.
- ▶ Appelez le service après-vente.

Une vitre de porte ou une porte d'appareil mal installée est dangereuse.

- ▶ Assurez-vous que toutes les vitres de porte et la porte de l'appareil sont correctement posées avant de remettre l'appareil en service.

1. Saisissez la porte de l'appareil latéralement avec les deux mains.
2. Glissez les charnières dans les évidements de l'appareil.



L'encoche en bas aux charnières doit s'enclencher dans le cadre de l'appareil.

3. Abaissez la porte de l'appareil.
4. Retirez les tiges de sécurité.

Remarque : Ne jetez pas les tiges de sécurité. Conservez les tiges de sécurité dans un endroit sûr. Vous avez toujours besoin des tiges de sécurité lorsque vous retirez la porte de l'appareil ou lorsque vous nettoyez les vitres de la porte. Si vous n'avez pas de tiges de sécurité, vous pouvez en commander auprès du service après-vente.

14 Dépannage

Vous pouvez corriger par vous-même les petits défauts de votre appareil. Lisez les renseignements de dépannage avant de contacter le service consommateurs. Vous vous épargnerez ainsi des dépenses inutiles.

⚠ AVERTISSEMENT – Risque de blessure !

Les réparations non conformes sont dangereuses.

- ▶ Seul un personnel qualifié est en droit d'effectuer des réparations sur l'appareil.
- ▶ Si l'appareil est défectueux, appeler le service après-vente.
→ "Service après-vente", Page 42

⚠ AVERTISSEMENT – Risque d'électrocution !

Les réparations non conformes sont dangereuses.

- ▶ Seul un personnel dûment qualifié peut entreprendre des réparations sur l'appareil.
- ▶ Seules des pièces de rechange d'origine peuvent être utilisées pour réparer l'appareil.
- ▶ Afin d'écartier tout danger quand le cordon d'alimentation secteur de cet appareil est endommagé, seul le fabricant ou son service après-vente ou toute autre personne de qualification équivalente est habilitée à le remplacer.

14.1 Dysfonctionnements

Défaut	Cause et dépannage
L'appareil ne fonctionne pas.	La fiche secteur du cordon d'alimentation secteur n'est pas branchée. ▶ Branchez l'appareil au réseau électrique. L'alimentation électrique est tombée en panne. ▶ Vérifiez si l'éclairage du compartiment ou d'autres appareils dans la pièce. Le fusible dans le coffret à fusibles s'est déclenché. ▶ Vérifiez le fusible dans le boîtier à fusibles.
L'appareil ne peut pas être mis en marche.	La porte de l'appareil n'est pas complètement fermée. ▶ Fermez la porte de l'appareil. L'appareil n'est pas éteint. ▶ Mettez l'appareil hors, puis sous tension.
12:00 clignote.	L'alimentation électrique est tombée en panne. ▶ Réglez l'heure. → "Avant la première utilisation", Page 32
L'éclairage du compartiment de cuisson ne fonctionne pas.	Le mode de cuisson « Chaleur voûte/sole Eco » est activé. ▶ Dans ce mode de cuisson, l'éclairage du compartiment de cuisson est éteint. L'ampoule du compartiment de cuisson est défectueuse. ▶ Changez l'ampoule du compartiment de cuisson. → "Changer l'ampoule du compartiment de cuisson", Page 38
Les plats préparés au four brûlent en très peu de temps.	Le thermostat est défectueux. ▶ Appelez le → "Service après-vente", Page 42.
Buée sur les vitres de la porte.	C'est un phénomène normal dû aux variations de température. ▶ Chauffez l'appareil à 100 C° et éteignez l'appareil après 5 minutes.
Un appareil allumé ne peut pas être utilisé. <i>SAFE</i> s'allume.	La protection enfants est active. ▶ Désactivez la sécurité enfants. → "Désactiver la sécurité enfants", Page 35
L'écran est figé ou ne réagit pas.	La protection enfants est active. ▶ Désactivez la sécurité enfants. → "Désactiver la sécurité enfants", Page 35 Dysfonctionnement 1. Coupez le fusible se trouvant dans le boîtier à fusibles. 2. Enclenchez le fusible après environ 10 secondes. 3. Si le dysfonctionnement réapparaît, appelez le service après-vente.
De la condensation se forme sur la porte de l'appareil ou de l'eau de condensation goutte.	La porte de l'appareil ne se ferme pas correctement. ▶ Vérifiez que la porte de l'appareil est correctement installée et qu'elle se ferme correctement. → "Porte de l'appareil", Page 39

Défaut	Cause et dépannage
De la condensation se forme sur la porte de l'appareil ou de l'eau de condensation goutte.	Encrassement du joint. <ol style="list-style-type: none"> Vérifiez que le joint n'est pas sale, endommagé ou mal positionné. Nettoyez ou remplacez le joint ou assurez-vous qu'il est correctement positionné.
	Formation normale de condensation. → "Formation de condensation", Page 31

15 Mise au rebut

15.1 Mettre au rebut un appareil usagé

La destruction dans le respect de l'environnement permet de récupérer de précieuses matières premières.

- Éliminez l'appareil dans le respect de l'environnement.

Vous trouverez des informations sur les circuits actuels d'élimination auprès de votre revendeur spécialisé ou de l'administration de votre commune/ ville.



Cet appareil est marqué selon la directive européenne 2012/19/UE relative aux appareils électriques et électroniques usagés (waste electrical and electronic equipment - WEEE). La directive définit le cadre pour une reprise et une récupération des appareils usagés applicables dans les pays de la CE.

16 Service après-vente

Pour plus d'informations sur la durée et les conditions de la garantie dans votre pays, adressez-vous à notre service après-vente, à votre revendeur ou consultez notre site Web.

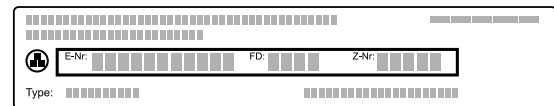
Lorsque vous contactez le service après-vente, vous avez besoin du numéro de produit (E-Nr.) et du numéro de fabrication (FD) de votre appareil.

Vous trouverez les données de contact du service après-vente dans la liste ci-jointe ou sur notre site Web. Ce produit contient des sources de lumière de la classe d'efficacité énergétique G.

16.1 Numéro de produit (E-Nr) et numéro de fabrication (FD)

Le numéro de série (E-Nr.) et le numéro de fabrication (FD) sont indiqués sur la plaque signalétique de l'appareil.

Vous trouverez la plaque signalétique avec les numéros en ouvrant la porte de l'appareil.



Pour retrouver rapidement les données de votre appareil et le numéro de téléphone du service consommateurs, n'hésitez pas à les recopier ailleurs.

17 Comment faire

Vous trouverez ici des conseils concernant les réceptifs et la préparation de plats.

17.1 La meilleure façon de procéder

ATTENTION !

Les aliments acides peuvent endommager la grille

- Ne placez pas d'aliments acides, tels que des fruits ou des grillades assaisonnées avec de la marinade acide, directement sur la grille.

Remarque : Remarque pour les personnes allergiques au nickel

Dans de rares cas, de faibles traces de nickel peuvent se retrouver dans les aliments.

- Avant toute utilisation, retirez du compartiment de cuisson les réceptifs dont vous n'avez pas besoin.
- Sélectionnez les plats de votre choix dans les recommandations de réglage.
- Placez les plats dans un réceptif adapté.

Utilisez les accessoires livrés avec l'appareil.

- Préchauffez l'appareil uniquement si la recette ou les recommandations de réglage le préconisent. Tapissez l'accessoire de papier cuisson uniquement après le préchauffage.
- Réglez l'appareil selon les réglages recommandés. Réglez d'abord la durée plus courte. Prolongez la durée si nécessaire.
- Laissez la porte de l'appareil fermée pendant la cuisson.

17.2 Conseils pour la pâtisserie

Pour obtenir un bon résultat de cuisson, voici quelques conseils.

Questions	Conseil
Votre gâteau doit lever de manière uniforme.	<ul style="list-style-type: none"> ■ Graisser uniquement le fond du moule démontable. ■ Après la cuisson, détacher soigneusement le gâteau du moule à l'aide d'un couteau.
Lors de la cuisson, les petites pâtisseries ne doivent pas coller les unes aux autres.	Laisser une distance minimale de 2 cm autour de chaque pièce de pâtisserie. Les pâtisseries auront ainsi suffisamment de place pour lever et dorer de tous les côtés.



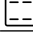


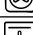
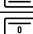
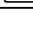
Questions	Conseil
Vérifier si le gâteau est bien cuit.	Piquer dans le gâteau avec un bâtonnet de bois à l'endroit le plus élevé. Le gâteau est cuit si la pâte n'adhère plus au bâtonnet de bois.
Vous voulez utiliser votre propre recette.	Se baser sur une pâtisserie similaire dans les tableaux de cuisson.
Utiliser des moules en silicone, verre, plastique ou céramique.	<ul style="list-style-type: none"> ■ Le moule doit résister à des températures allant jusqu'à 250°C. ■ Dans ces moules, les gâteaux seront moins dorés.

17.3 Tableau des plats

Vous trouverez ici un aperçu des plats.

Plat	Poids en kg	Niveau d'enfournement	Mode de cuisson	Température en °C	Durée en min.
Lasagnes	3 – 4	1		220 – 230 ¹	45 – 50
Lasagnes	3	2		220 ¹	45
Gratins de pâtes	3 – 4	1		220 – 230 ¹	45 – 50
Rôti de veau	2	2		180 – 190 ¹	90 – 100
Filet de porc	1,5 – 2	2		190 – 200 ¹	90 – 100
Filet de porc	2	2		200 ¹	120
Saucisses	1,5	3		220 ¹	1er côté : 10 2e côté : 7
Rôti de bœuf	1	2		200 ¹	45 – 55
Lapin rôti	1,5	2		180 – 190 ¹	70 – 80
Blanc de dinde	2	2		180 – 190 ¹	110 – 120
Rôti d'échine de porc	2 – 3	2		180 – 190 ¹	170 – 180
Poulet rôti	1,2	2		190 – 200 ¹	65 – 70
Côtelettes de porc	1,5	3		220 ¹	1er côté : 15 2e côté : 5
Travers de porc	1,5	3		220 ¹	1er côté : 15 2e côté : 10
Lard	0,7	4		250 ¹	1er côté : 10 2e côté : 8
Filet mignon de porc	1,5	3		220 ¹	1er côté : 12 2e côté : 5
Filet de bœuf	1	4		250 ¹	1er côté : 7 2e côté : 4
Truite saumonée	0,7 – 1,2	2		160 – 170 ¹	35 – 40
Lotte	0,7 – 1,5	2		160 ¹	60 – 65
Turbot	1,5	2		160 ¹	45 – 50
Pizza	1 – 1,5	2		250 ¹	10 – 12
Pain	1	2		180 – 190 ¹	25 – 30
Focaccia	1	2		180 – 190 ¹	20 – 25
Kouglof	1	2		160 ¹	55 – 60
Gâteau aux fruits	1	2		160 ¹	35 – 40

¹ Préchauffer l'appareil.

Plat	Poids en kg	Niveau d'enfournement	Mode de cuisson	Température en °C	Durée en min.
Gâteau au fromage blanc	1	2		160 – 170 ¹	45 – 55
Gâteau en pâte brisée	1	2		160 – 170 ¹	35 – 40
Gâteau en pâte brisée	1	1		170 ¹	55
Gâteau à la crème dessert	1,2	2		160 ¹	55 – 60
Choux	0,7 – 1,2	2		180 ¹	50 – 60
Génoise	1	2		150 – 160 ¹	55 – 60
Riz au lait	1	2		160 ¹	55 – 60
Brioche	1 – 1,2	2		160 ¹	30 – 35

¹ Préchauffer l'appareil.

17.4 Conseils pour la cuisson suivante

Si la cuisson ne donne pas les résultats escomptés, voici quelques conseils.

Problème	Conseil
Votre gâteau s'affaisse.	<ul style="list-style-type: none"> ■ Vérifiez les ingrédients ajoutés et suivez les conseils de préparation figurant dans la recette. ■ Utilisez moins de liquide. Ou : ■ Réduisez la température de cuisson de 10 °C et prolongez le temps de cuisson.
Votre gâteau est trop sec.	Augmentez la température de cuisson de 10 °C et raccourcissez le temps de cuisson.
Votre gâteau est trop clair dans l'ensemble.	<ul style="list-style-type: none"> ■ Vérifiez le niveau d'enfournement et l'accessoire. ■ Augmentez la température de cuisson de 10 °C. Ou : ■ Prolongez le temps de cuisson.
Le gâteau est trop foncé dans l'ensemble.	Réduisez la température de cuisson et prolongez le temps de cuisson.
Votre gâteau est trop clair sur le dessus mais trop foncé en dessous.	Enfournez le gâteau à un niveau supérieur.
Votre gâteau est trop foncé sur le dessus mais trop clair en dessous.	<ul style="list-style-type: none"> ■ Enfournez le gâteau à un niveau inférieur. ■ Réduisez la température de cuisson et rallongez le temps de cuisson

Problème	Conseil
Votre gâteau a doré de manière irrégulière.	<ul style="list-style-type: none"> ■ Réduisez la température de cuisson. ■ Découpez le papier de cuisson aux bonnes dimensions. ■ Placez le moule au centre. ■ Formez des petites pâtisseries de même taille et de même épaisseur.
Votre gâteau est cuit à l'extérieur mais pas à l'intérieur.	<ul style="list-style-type: none"> ■ Réduisez la température de cuisson et prolongez le temps de cuisson. ■ Ajoutez moins de liquide. <p>Pour un gâteau avec une garniture fondante :</p> <ul style="list-style-type: none"> ■ Précuisez le fond. ■ Parsemez le fond cuit d'amandes ou de chapelure. ■ Placez la garniture sur le fond.
Votre gâteau ne se démoule pas une fois renversé.	<ul style="list-style-type: none"> ■ Après la cuisson, laissez refroidir le gâteau pendant 5 - 10 minutes. ■ Détachez les bords du gâteau avec précaution à l'aide d'un couteau. ■ Renversez à nouveau le gâteau et couvrez le moule plusieurs fois d'une serviette humide et froide. ■ La prochaine fois, graissez le moule et saupoudrez de chapelure.

17.5 Conseils pour le rôtissage suivant

Si le rôtissage ne réussit pas tout de suite, voici quelques conseils.

Questions	Conseil
Votre rôti est trop cuit et la croûte est brûlée par endroits.	<ul style="list-style-type: none"> ■ Sélectionner une température inférieure. ■ Réduire la durée de cuisson.
Votre rôti est trop sec.	<ul style="list-style-type: none"> ■ Sélectionner une température inférieure. ■ Réduire la durée de cuisson.
La croûte de votre rôti est trop fine.	<ul style="list-style-type: none"> ■ Augmenter la température. Ou : ■ Après la fin de la durée de cuisson, allumer brièvement le gril.
Votre de sauce pour rôti est brûlée.	<ul style="list-style-type: none"> ■ Choisir un récipient plus petit. ■ Ajouter plus de liquide lors de la cuisson.

Questions	Conseil
Votre sauce du rôti est trop claire et aqueuse.	<ul style="list-style-type: none"> ■ Choisir un récipient plus grand pour une évaporation plus importante de liquide. ■ Ajouter moins de liquide lors de la cuisson.
Lorsque vous braisez de la viande, celle-ci brûle.	<ul style="list-style-type: none"> ■ Vérifier si le plat à rôti et le couvercle sont compatibles et se ferment bien. ■ Réduire la température. ■ Ajouter du liquide pendant le braisage.
Votre rôti n'est pas entièrement cuit.	<ul style="list-style-type: none"> ■ Découper le rôti. ■ Préparer la sauce dans le plat à rôti. ■ Disposer les tranches de rôti dans la sauce. ■ Terminer la cuisson des tranches de rôti avec le micro-ondes.

18 Instructions de montage

Respectez ces informations lors du montage de l'appareil.



⚠ 18.1 Installation en toute sécurité

Respectez ces consignes avant de commencer à installer l'appareil.

⚠ AVERTISSEMENT – Risque d'incendie !

Il est dangereux d'utiliser un cordon d'alimentation secteur avec une rallonge ou un adaptateur non autorisé.

- ▶ N'utilisez pas de bloc multiprise.
- ▶ Utilisez uniquement une rallonge certifiée, d'une section minimale de 1,5 mm² et conforme aux exigences de sécurité nationales en vigueur.
- ▶ Si le cordon d'alimentation secteur est trop court et qu'aucun cordon d'alimentation plus long n'est disponible, contacter un électricien spécialisé pour adapter l'installation domestique.
- ▶ Utiliser uniquement des adaptateurs et cordons d'alimentation secteur agréés par le fabricant.

ATTENTION !

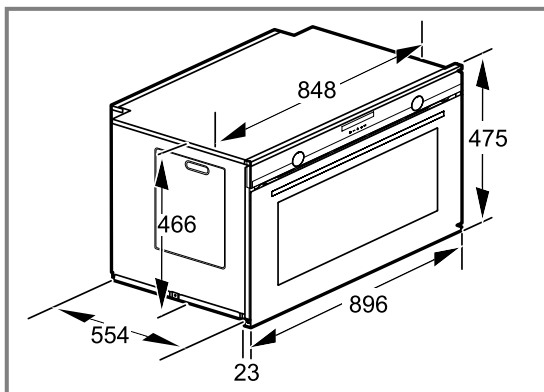
Le fait de porter l'appareil par la poignée risque de casser celle-ci. La poignée de porte ne résiste pas au poids de l'appareil.

- ▶ Ne jamais transporter ni porter l'appareil par la poignée de la porte.
- Seule une installation effectuée selon les présentes instructions de montage garantit une utilisation en toute sécurité. L'installateur est responsable des dommages résultant d'une installation incorrecte.
- Contrôlez l'état de l'appareil après l'avoir déballé. Ne le raccordez pas s'il présente une avarie en raison du transport.
- Avant la mise en service, retirez le matériau d'emballage et les films adhésifs du compartiment de cuisson et de la porte.
- Respectez la notice de montage pour l'installation des accessoires.
- Les meubles d'encastrement doivent résister à une température jusqu'à 90 °C, la façade des meubles voisins jusqu'à 70 °C.
- N'installez pas l'appareil derrière une plaque décorative ou une porte de meuble. Il existe un risque de surchauffe.

- Réalisez des travaux de découpe sur le meuble avant la mise en place de l'appareil. Enlevez les copeaux. Le fonctionnement des composants électriques peut être compromis.
- La prise de raccordement de l'appareil doit donc être disposée à l'extérieur de l'espace d'encastrement.
- Mettez toujours à la terre les appareils électriques.
- Portez des gants de protection pour éviter des coupures. Certaines pièces accessibles lors du montage peuvent posséder des arêtes coupantes.
- Dimensions indiquées dans les illustrations en mm.

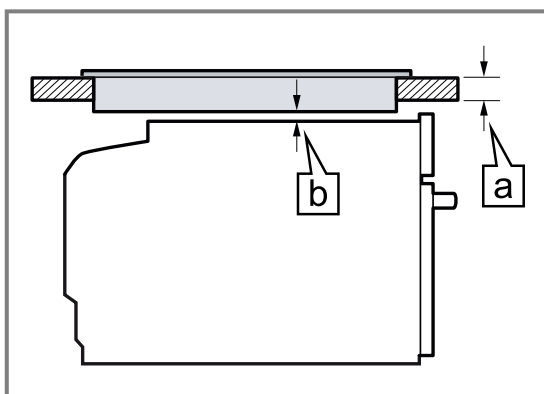
18.2 Dimensions de l'appareil

Vous trouverez ici les dimensions de l'appareil



18.4 Installation sous une table de cuisson

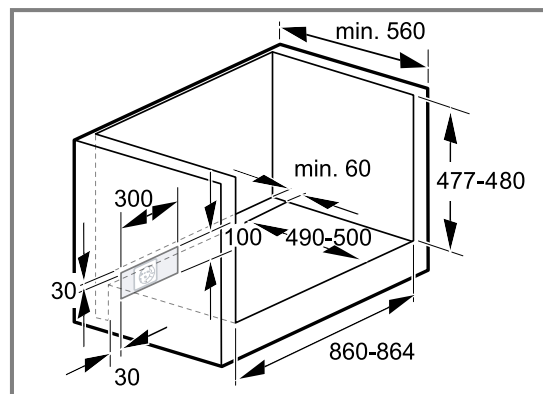
Si l'appareil est encasté sous une table de cuisson, les dimensions minimales doivent être respectées, y compris la sous-structure si nécessaire.



Type de table de cuisson	a monté en mm	a affleurant en mm	b en mm
Table de cuisson induction	49	50	5
Table de cuisson induction Full Zone	70	70	5
Table de cuisson gaz	39	50	5
Table de cuisson électrique	39	42	2

18.3 Installation sous un plan de travail

Observez les cotes d'encastement et les distances de sécurité lors de l'installation sous un plan de travail.

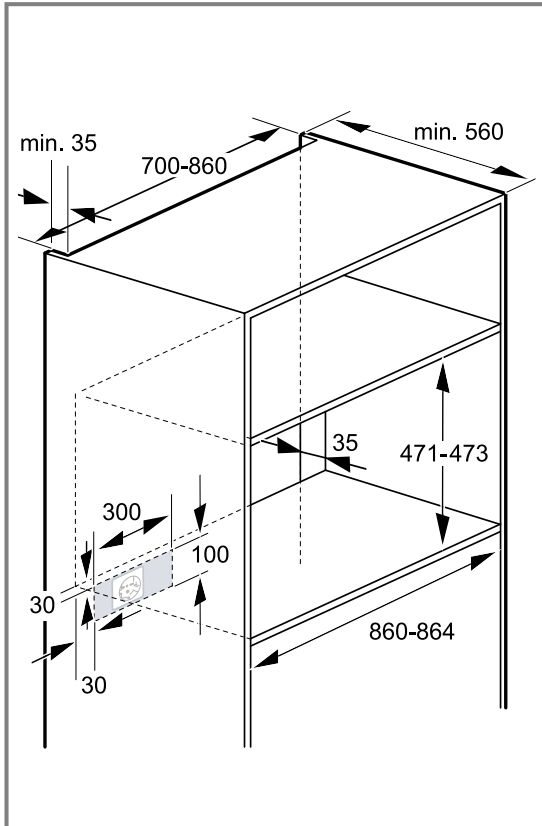


Pour la ventilation de l'appareil, le plancher intermédiaire doit présenter une découpe de ventilation.

Fixez le plan de travail sur le meuble d'encastement. Respectez les instructions de montage de la table de cuisson.

18.5 Installation dans un meuble haut

Respectez les cotes d'encastement et les distances de sécurité dans le placard vertical.



- Assurez-vous que le plancher intermédiaire présente un espace par rapport au mur d'installation afin d'aérer l'appareil.
- Si le meuble haut possède une paroi arrière en plus des parois arrières préfabriquées, celle-ci doit être retirée.
- Encastrez l'appareil à une hauteur qui permette de retirer sans problème les accessoires.

18.6 Installation de deux appareils superposés

Votre appareil peut également être installé sur un autre appareil.

18.7 Branchement électrique

Respectez les présentes consignes pour pouvoir effectuer le branchement électrique de l'appareil en toute sécurité.

- La protection par fusible doit s'effectuer conformément à l'indication de puissance figurant sur la plaque signalétique et aux prescriptions locales.
- L'appareil est conforme à la classe de protection I et ne peut être utilisé qu'avec une prise à conducteur de protection.
- Pour tous les travaux de montage, l'appareil doit être hors tension.

- L'encastement doit garantir la protection contre les contacts accidentels.
- Seul un personnel qualifié et agréé peut raccorder l'appareil sans fiche. Il doit appliquer les réglementations du fournisseur d'électricité régional.

Raccordement électrique de l'appareil sans connecteur à fiche de contact de sécurité

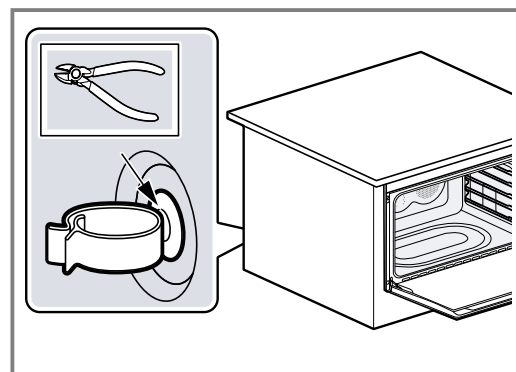
Remarque : Seul du personnel qualifié et agréé peut raccorder l'appareil. En cas de dommages dus à un raccordement incorrect, il n'y a aucun droit à la garantie.

Un dispositif de sectionnement doit être intégré dans l'installation électrique fixe, conformément aux prescriptions d'installation.

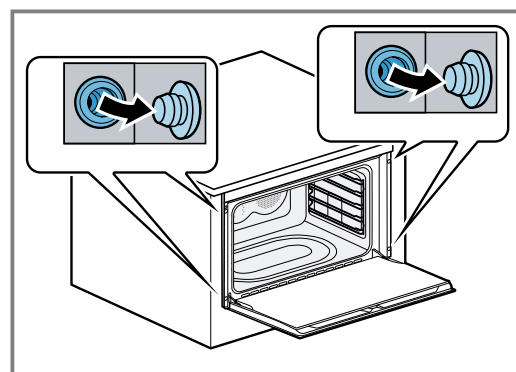
- Identifiez le conducteur de phase et le conducteur neutre dans la prise de raccordement. L'appareil risque d'être endommagé en cas de raccordement incorrect.
- Branchez l'appareil uniquement sur une tension de réseau comprise entre 220 et 240 V.
- Raccordez les fils du cordon d'alimentation secteur conformément au code de couleur :
 - vert-jaune : conducteur de protection \oplus
 - bleu = (neutre) conducteur neutre
 - marron = phase (conducteur externe)

18.8 Encastrer l'appareil

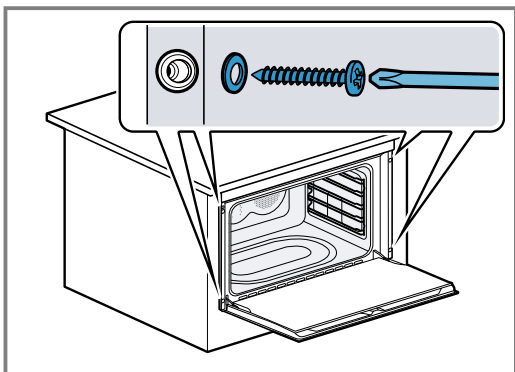
- Poussez l'appareil et centrez-le. Ne pliez pas le câble de raccordement.
- Si nécessaire, retirez le guide de câble avec un outil.



- Ouvrez la porte du four en grand.
- Retirez le couvercle de protection.



5. Vissez l'appareil au meuble.



6. Mettez le couvercle de protection en place.

Remarque : N'obstruez jamais l'écart entre le plan de travail et l'appareil par des baguettes supplémentaires.

18.9 Démontez l'appareil

1. Mettez l'appareil hors tension.
2. Desserrez les vis de fixation.
3. Soulevez légèrement l'appareil et retirez-le complètement.

Índice

MANUAL DO UTILIZADOR

1	Segurança	49
2	Evite danos materiais	51
3	Proteção do meio ambiente e poupança	52
4	Familiarização	53
5	Acessórios	55
6	Antes da primeira utilização.....	56
7	Operação base	57
8	Espeto rotativo.....	57
9	Funções de tempo	58
10	Fecho de segurança para crianças.....	59
11	Limpeza e manutenção.....	59
12	Estruturas de suporte.....	63
13	Porta do aparelho.....	63
14	Eliminar falhas	65
15	Eliminação	66
16	Assistência Técnica.....	66
17	Como obter bons resultados	66
18	INSTRUÇÕES DE MONTAGEM.....	69
18.1	Instalação segura.....	69



1 Segurança

Respeite as seguintes indicações de segurança.

1.1 Indicações gerais

- Leia atentamente este manual.
- Guarde estas instruções e as informações sobre o produto para posterior utilização ou para entregar a futuros proprietários.
- Se detetar danos de transporte, não ligue o aparelho.

1.2 Utilização correta

Este aparelho destina-se apenas à montagem. Respeite as instruções de montagem especiais.

Os aparelhos apenas podem ser ligados por técnicos concessionados. A garantia cessa em caso de danos provocados por uma ligação incorreta.

Utilize o aparelho apenas:

- para preparar alimentos e bebidas.
- para uso doméstico e em espaços fechados domésticos.
- a uma altitude até 2000 m acima do nível do mar.

Não utilize o aparelho:

- com um temporizador externo ou controlo remoto.

1.3 Limitação do grupo de utilizadores

Este aparelho pode ser utilizado por crianças a partir dos 8 anos e por pessoas com capacidades físicas, sensoriais ou mentais reduzidas ou com falta de experiência e/ou conhecimentos, se forem devidamente supervisionadas ou instruídas na utilização com segurança do aparelho e tiverem compreendido os perigos daí resultantes.

As crianças não podem brincar com o aparelho.

A limpeza e a manutenção pelo utilizador não devem ser realizadas por crianças, a não ser que tenham uma idade igual ou superior a 15 anos e se encontrem sob vigilância.

As crianças menores de 8 anos devem manter-se afastadas do aparelho e do cabo de ligação.

1.4 Utilização segura

Insira sempre os acessórios corretamente no interior do aparelho.

→ "Acessórios", Página 55

AVISO – Risco de incêndio!

Os objetos inflamáveis armazenados no interior do aparelho podem incendiar-se.

- ▶ Nunca guarde objectos inflamáveis dentro do aparelho.
- ▶ Se sair fumo do aparelho, deve ser desligado o aparelho ou o fusível e a porta deve ser mantida fechada, de modo a abafar eventuais chamas.

Os restos de comida soltos, gorduras e molhos de assados podem inflamar-se.

- ▶ Antes de utilizar, remova a sujidade grosseira do interior do aparelho, dos elementos de aquecimento e dos acessórios.

Ao abrir a porta do aparelho, forma-se uma corrente de ar. O papel vegetal pode tocar nas resistências e incendiar-se.

- ▶ Durante o pré-aquecimento e durante a confecção, nunca coloque papel vegetal solto no acessório.
- ▶ Corte o papel vegetal sempre à medida e coloque sempre um recipiente ou uma forma em cima do mesmo, para o segurar.

⚠ AVISO – Risco de queimaduras!

Durante a utilização, o aparelho e as peças que podem ser tocadas ficam quentes.

- ▶ Recomenda-se que tenha cuidado, para evitar tocar em elementos de aquecimento.
- ▶ Crianças novas, com menos de 8 anos, têm de ser mantidas afastadas.

Os acessórios ou recipientes ficam muito quentes.

- ▶ Use sempre uma pega de cozinha para retirar os acessórios ou recipientes quentes do interior do aparelho.

Os vapores de álcool podem incendiar-se no interior quente do aparelho. A porta do aparelho pode abrir-se bruscamente. Podem sair vapores quentes e chamas.

- ▶ Use apenas pequenas quantidades de bebidas com elevado teor de álcool nos alimentos.
- ▶ Não aquecer bebidas espirituosas ($\geq 15\%$ vol.) no estado não diluído (p. ex., para marinhar ou verter sobre os alimentos).
- ▶ Abra a porta do aparelho com cuidado.

As extensões telescópicas ficam quentes durante o funcionamento do aparelho.

- ▶ Deixar que as extensões telescópicas arrefeçam antes de lhes tocar.
- ▶ Toque nas extensões telescópicas apenas com uma pega de cozinha.

⚠ AVISO – Risco de escaldadura!

As peças que se encontram acessíveis ficam quentes durante o funcionamento do aparelho.

- ▶ Nunca toque nas peças quentes.
- ▶ Mantenha as crianças afastadas.

Ao abrir a porta do aparelho, pode sair vapor quente. Dependendo da temperatura, o vapor pode não ser visível.

- ▶ Abra a porta do aparelho com cuidado.
- ▶ Mantenha as crianças afastadas.

A água no interior quente do aparelho pode transformar-se em vapor de água quente.

- ▶ Nunca deite água no interior do aparelho quente.

⚠ AVISO – Risco de ferimentos!

O vidro riscado da porta do aparelho pode rachar.

- ▶ Não utilize produtos de limpeza abrasivos ou raspadores metálicos afiados para a limpeza do vidro da porta do forno, pois poderá riscar a superfície.

O aparelho e as suas peças que estão acessíveis podem ter arestas afiadas.

- ▶ Tenha cuidado ao manusear e limpar.
- ▶ Se possível, use luvas de proteção.

As dobradiças da porta do aparelho movimentam-se ao abrir e fechar a porta e podem entalar-se.

- ▶ Não coloque as mãos na zona das dobradiças.

Os componentes do interior da porta do aparelho podem ter arestas vivas.

- ▶ Use luvas de proteção.

⚠ AVISO – Risco de choque elétrico!

Reparações indevidas são perigosas.

- ▶ As reparações no aparelho apenas podem ser realizadas por técnicos qualificados.
- ▶ Para a reparação do aparelho só podem ser utilizadas peças sobresselentes originais.
- ▶ Se o cabo de alimentação deste aparelho sofrer algum dano, deverá ser substituído pelo fabricante ou pela sua Assistência Técnica, ou por um técnico devidamente qualificado para o efeito, para se evitarem situações de perigo.

É perigoso se o cabo elétrico tiver um isolamento danificado.

- ▶ Não permitir, em caso algum, que o cabo elétrico entre em contacto com componentes do aparelho quentes ou com fontes de calor.
- ▶ Não permitir, em caso algum, que o cabo elétrico entre em contacto com pontas afiadas ou arestas vivas.
- ▶ Não permitir, em caso algum, que o cabo elétrico seja dobrado, esmagado ou modificado.

A infiltração de humidade pode provocar um choque elétrico.

- ▶ Não utilizar aparelhos de limpeza a vapor ou de alta pressão para limpar o aparelho.

Um aparelho ou um cabo elétrico danificados são objetos perigosos.

- ▶ Nunca operar um aparelho danificado.
- ▶ Contactar a Assistência Técnica. → *Página 66*

⚠ AVISO – Risco de asfixia!

As crianças podem colocar o material de embalagem sobre a cabeça ou enrolar-se no mesmo e sufocar.

- ▶ Manter o material de embalagem fora do alcance das crianças.
- ▶ Não permitir que as crianças brinquem com o material de embalagem.

As crianças podem inalar ou engolir peças pequenas e sufocar.

- ▶ Manter as peças pequenas fora do alcance das crianças.
- ▶ Não permitir que as crianças brinquem com peças pequenas.

1.5 Lâmpada de halogéneo

⚠ AVISO – Risco de queimaduras!

As lâmpadas do interior do aparelho ficam muito quentes. Mesmo algum tempo depois de desligar, continua a existir o perigo de queimaduras.

- ▶ Não toque na cobertura de vidro.
- ▶ Ao limpar, evite o contacto com a pele.

⚠ AVISO – Risco de choque elétrico!

Ao substituir a lâmpada, os contactos do casquilho da lâmpada estão sob tensão.

- ▶ Antes de substituir a lâmpada é necessário garantir que o aparelho está desligado, de modo a evitar um possível choque elétrico.
- ▶ Adicionalmente, desligue o fusível no quadro elétrico.

2 Evite danos materiais

2.1 Informações gerais

ATENÇÃO!

Os vapores de álcool podem incendiar-se no interior quente do aparelho e causar danos duradouros ao aparelho. Em caso de deflagração, a porta do aparelho pode abrir-se bruscamente e, possivelmente, cair. Os vidros da porta podem quebrar-se e estilhaçar. Devido à pressão negativa resultante, o interior do aparelho pode ficar consideravelmente deformado para dentro.

- ▶ Não aquecer bebidas espirituosas ($\geq 15\%$ vol.) no estado não diluído (p. ex., para marinar ou verter sobre os alimentos).

Água na base do interior do aparelho se este estiver a funcionar a temperaturas superiores a $120\text{ }^{\circ}\text{C}$ dá origem a danos no esmalte.

- ▶ Não inicie o funcionamento se houver água na base do interior do aparelho.
- ▶ Antes do funcionamento, limpar a água na base do interior do aparelho.

Objetos na base do aparelho a uma temperatura superior a $50\text{ }^{\circ}\text{C}$ provocam uma acumulação de calor. Os tempos de cozedura e de assadura deixam de ser os mesmos e danifica o esmalte.

- ▶ Não coloque acessórios, papel vegetal ou película de qualquer tipo sobre a base do forno.
- ▶ Pouse recipientes na base do forno apenas se estiver regulada uma temperatura inferior a $50\text{ }^{\circ}\text{C}$.

Caso se encontre água no interior quente do aparelho, forma-se vapor de água. As mudanças de temperatura podem provocar danos.

- ▶ Nunca deite água no interior do aparelho quente.
- ▶ Nunca coloque recipientes com água na base do aparelho.

A presença prolongada de humidade no interior do aparelho provoca corrosão.

- ▶ Depois de cozinhar, remova a água de condensação. Após um funcionamento com temperaturas elevadas, deixe o interior do aparelho arrefecer sempre com a porta fechada.
- ▶ Não guarde alimentos húmidos durante muito tempo dentro do aparelho fechado.
- ▶ Não guarde alimentos no interior do aparelho.
- ▶ Não entale nada na porta do aparelho.

O sumo de fruta que pinga do tabuleiro deixa manchas que nunca mais saem.

- ▶ Se estiver a confeccionar bolos de fruta muito sumarenta, não encha demasiado o tabuleiro.
- ▶ Se possível, utilize o tabuleiro universal mais fundo.

Produtos limpa-fornos no interior quente do aparelho danificam o esmalte.

- ▶ Nunca utilizar produtos limpa-fornos no interior quente do aparelho.
- ▶ Antes de voltar a aquecer, remover totalmente os resíduos do interior e da porta do aparelho.

Muita sujidade no vedante pode impedir que a porta do aparelho feche correctamente durante o funcionamento. As frentes dos móveis adjacentes podem ser danificadas.

- ▶ Mantenha o vedante sempre limpo.
- ▶ Nunca utilize o aparelho com o vedante danificado ou sem vedante.

A utilização da porta do aparelho como assento ou suporte pode danificar a porta do aparelho.

- ▶ Não se apoiar, não se sentar, não se pendurar nem se colocar sobre a porta do aparelho.
- ▶ Não coloque recipientes ou acessórios em cima da porta do aparelho.

Consoante o tipo de aparelho, o acessório pode riscar o vidro da porta ao fechar a porta do aparelho.

- ▶ Insira os acessórios no interior do aparelho, sempre até ao batente.

Uma folha de alumínio no vidro da porta pode dar origem a descolorações permanentes.

- ▶ A folha de alumínio no interior do aparelho não pode entrar em contacto com o vidro da porta.

3 Proteção do meio ambiente e poupança

3.1 Eliminação da embalagem

Os materiais de embalagem são ecológicos e reutilizáveis.

- ▶ Separar os componentes e eliminá-los de acordo com o tipo de material.

3.2 Poupar energia

Se respeitar estas indicações, o seu aparelho irá consumir menos energia.

Pré-aquecer o aparelho apenas se a receita ou as recomendações de regulação o determinarem.

→ *"Como obter bons resultados", Página 66*

- Ao não pré-aquecer o aparelho, poupa até 20% de energia.

Utilizar formas escuras, pintadas ou esmaltadas a preto.

- Estas absorvem especialmente bem o calor.

Abrir a porta do aparelho o menos possível durante o funcionamento.

- A temperatura no interior do aparelho mantém-se e não é necessário reaquecer o aparelho.

Cozer vários alimentos imediatamente uns atrás dos outros ou em paralelo.

- O interior do aparelho está quente após a primeira cozedura. Deste modo, reduz-se o tempo de cozedura dos bolos seguintes.

No caso de tempos de cozedura mais longos, desligar o aparelho 10 minutos antes de terminar o tempo de cozedura.

- O calor residual é suficiente para terminar a cozedura dos alimentos.

Retirar do interior do aparelho os acessórios de que não necessita.

- Não é necessário aquecer acessórios supérfluos.

Deixe descongelar os alimentos congelados antes da confecção.

- Poupa-se a energia para descongelar os alimentos.

Nota:

O aparelho necessita de:

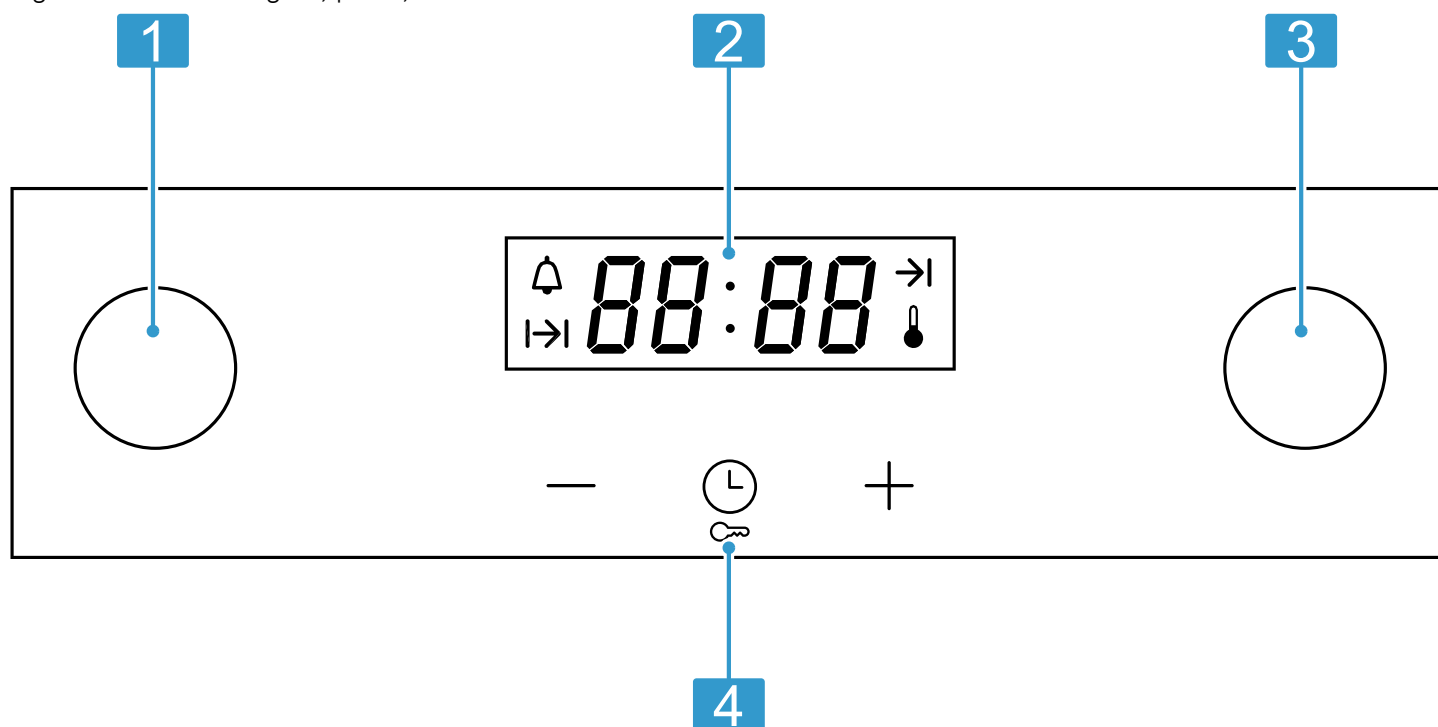
- no estado de vigília com visor ligado, no máx., 1 W
- no estado de vigília com visor desligado, no máx., 0,5 W

4 Familiarização

4.1 Painel de comandos

O painel de comandos permite regular todas as funções do seu aparelho e obter informações sobre o estado de operação.

Nota: Consoante o tipo de aparelho, poderão divergir alguns detalhes da figura, p. ex., a cor e a forma.



1	Seletor de função	O seletor de função permite-lhe regular o tipo de aquecimento ou outras funções. Pode rodar o seletor de função, a partir da posição zero, para a esquerda ou para a direita.
2	Visor	O visor exibe símbolos de funções ativas e as funções de tempo.
3	Seletor de temperatura	Com o seletor de temperatura, regule a temperatura ao tipo de aquecimento. Pode rodar o seletor de temperatura para a esquerda ou para a direita.
4	Zonas táteis	As zonas táteis permitem-lhe regular diretamente diversas funções.

Teclas

As teclas permitem-lhe selecionar diretamente diversas funções.

Nota: Se uma tecla não tiver nenhuma função, soa um sinal.

Símbolo	Tecla	Nota explicativa
🕒	Funções de tempo	Regular o temporizador, o tempo de duração, a hora de conclusão e o relógio
—	Menos	Reduzir valor de regulação
+	Mais	Aumentar valor de regulação
🔒	Fecho de segurança para crianças	Ativar e desativar o fecho de segurança para crianças no estado de vigília

Visor

No visor são apresentados os valores de regulação atuais ou as opções possíveis.

O valor que poderá ser regulado num determinado momento é realçado. O valor é apresentado com letras brancas sobre fundo escuro.

Símbolo	Nota explicativa
🕒	Temporizador
⏱	Tempo de duração
➡	Hora de conclusão

Símbolo	Nota explicativa
88:88	Indicação do tempo
🔥	Indicação de aquecimento

Seletor de temperatura

Com o comando da temperatura regula a temperatura.

Indicação de aquecimento

Quando o aparelho aquece, acende-se 🔥 no visor. Esta apaga-se durante as pausas de aquecimento. Se preaquecer o aparelho, coloque a refeição no interior do forno, assim que a indicação de aquecimento apagar pela primeira vez.

Nota: Devido à inércia térmica, a temperatura indicada pode diferir um pouco da temperatura realmente existente no interior do aparelho.

4.2 Tipos de aquecimento e funções

Para que encontre sempre o tipo de aquecimento adequado para o seu prato, explicamos-lhe aqui as diferenças e as áreas de aplicação.

Símbolo	Tipo de aquecimento ou função	Temperatura ou nível	Utilização
🔥	Preaquecimento rápido	50-250 °C	Para o aquecimento rápido do forno.
🌀	Ar quente circulante 3D	50-250 °C	Preparar pratos em 1-2 níveis. Os ventiladores distribuem o calor da resistência circular na parede traseira uniformemente pelo interior do aparelho.
🌀	Ar circulante	50-250 °C	Cozer bolos e produtos de pastelaria em um nível. Os ventiladores distribuem o calor dos elementos de aquecimento uniformemente pelo interior do aparelho.
🔥	Calor inferior	50-250 °C	Prolongar o tempo de cozedura de alimentos. O calor vem de baixo.
🔥	Grelhar, grandes quantidades	50 – 250 °C	Grelhar alimentos planos, p. ex., bifes, salsichas ou torradas e para gratinar. Toda a superfície por baixo da resistência do grelhador fica quente.
🌀	Grelhador com ar circulante	50-220 °C	Cozer ou assar carne, aves e peixe inteiro. O ventilador espalha o ar quente em torno dos alimentos. Nota: Ao utilizar o grelhador com ar circulante, regule uma temperatura de no máximo 220 °C.
🔥	Calor superior e inferior suave	50-250 °C	Para cozinhar determinados pratos (por ex., carne, legumes) de uma maneira mais saborosa num só nível, sem pré-aquecimento. O tipo de aquecimento é inadequado para alimentos que sobem ao cozer (p. ex., pão).
🔥	Calor superior e inferior	50-250 °C	Preparar bolos, soufflés e assados de carne magra. O calor chega uniformemente a partir de cima e de baixo.
🔥	Espeto rotativo	50-250 °C	Assados, rolos de carne e aves

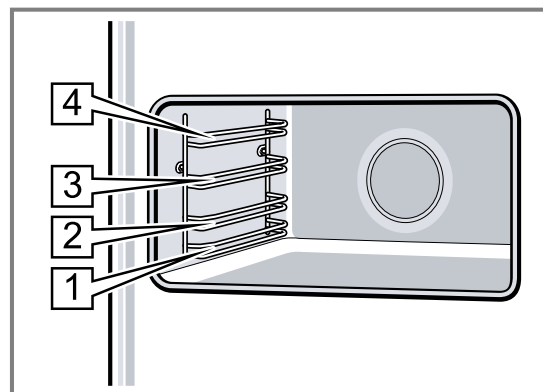
4.3 Interior do aparelho

As funções no interior do aparelho facilitam o funcionamento deste.

Níveis de inserção

O interior do aparelho tem 4 níveis de inserção.

Introduza o acessório sempre até ao batente, para que não toque no vidro da porta. Insira o acessório corretamente no interior do aparelho.



Superfícies de auto-limpeza

A parede traseira e as paredes laterais no interior do aparelho são autolimpantes. As superfícies de autolimpeza no interior do aparelho estão revestidas com cerâmica porosa e esmaltada e têm uma superfície rugosa. Quando o aparelho se encontra em funcionamento, as superfícies de autolimpeza absorvem os salpicos de gordura dos assados ou grelhados e dissolvem-nos.

Iluminação do interior do aparelho

Na maioria dos modos de funcionamento, a iluminação do interior do aparelho acende quando se inicia o funcionamento. Uma vez concluído o funcionamento, a iluminação do interior do aparelho desliga-se.

Para ligar a iluminação do interior do aparelho quando este se encontra desligado, colocar o seletor de função numa função, com exceção de . Certifique-se que o seletor de temperatura está na posição zero.

Ventoinha de arrefecimento

A turbina de arrefecimento liga e desliga em função da necessidade. O ar quente escapa através da porta do aparelho.

ATENÇÃO!

Tapar a ranhura de ventilação provoca um sobreaquecimento do aparelho.

► Não tape as ranhuras de ventilação.

Para que o interior do aparelho arrefeça mais rapidamente após o funcionamento, a ventoinha de arrefecimento continua a funcionar por um determinado período.

Formação de condensação

Aqui encontrará informações sobre como se forma a condensação, como evita danos e como pode reduzir a formação de condensação.

Quando prepara alimentos no interior do aparelho, pode formar-se lá muito vapor de água. Uma vez que o seu aparelho é muito eficiente do ponto de vista energético, em funcionamento muito pouco calor sai para o exterior. Devido à elevada diferença de temperatura entre o interior do aparelho e as partes exteriores do mesmo, pode formar-se água de condensação junto à porta do aparelho, ao painel de comando ou às frentes dos móveis adjacentes. A formação de água de condensação é um fenómeno normal de origem física.

Para evitar danos, limpe a água de condensação. Se a água de condensação se acumular na calha, remover a água de condensação com uma esponja. Uma calha a transbordar poderá danificar o móvel para encastrar. Deixe o aparelho secar com a porta aberta.

Se pré-aquecer o aparelho, evitará a formação de condensação.

5 Acessórios

Utilize acessórios originais. Estes foram especialmente concebidos para o seu aparelho.

Nota: Quando o acessório aquece, pode ficar deformado. A deformação não influencia o funcionamento. Depois de o acessório arrefecer, a deformação desaparece.

Os acessórios fornecidos podem variar em função do tipo de aparelho.

Acessórios	Utilização
Grelha	<ul style="list-style-type: none"> ■ Recipiente ■ Formas para bolos ■ Carne, p. ex., assados ou grelhados ■ Refeições ultracongeladas
Tabuleiro universal	<ul style="list-style-type: none"> ■ Bolos húmidos ■ Biscoitos ■ Refeições ultracongeladas ■ Assados grandes <p>Dica: Pode utilizar o tabuleiro universal como recipiente de recolha de gordura, caso grelhe diretamente na grelha.</p>
Espeto rotativo	<ul style="list-style-type: none"> ■ Assar pedaços de carne ■ Assar aves grandes <p>Nota: Utilizar em conjunto com o tabuleiro esmaltado.</p>
Pinos de fixação	<p>Bloquear as dobradiças.</p> <p>Nota: Não deite os pinos de fixação fora. Guarde os pinos de fixação num local seguro. Vai precisar dos pinos de fixação sempre que retirar a porta do aparelho ou limpar os vidros das portas.</p>

5.1 Outros acessórios

Poderá adquirir mais acessórios junto do serviço de apoio ao consumidor, no comércio especializado ou através da Internet.

Poderá encontrar uma vasta gama de acessórios para o seu aparelho na Internet ou nos nossos prospectos: www.bosch-home.com

Os acessórios são específicos do aparelho. Indique sempre a designação exata (N.º E) do seu aparelho quando efetuar a compra.

Verifique quais os acessórios disponíveis para o seu aparelho na loja online ou junto do serviço de apoio ao consumidor.

Outros acessórios	Utilização
Grelha	<ul style="list-style-type: none"> ■ Recipiente ■ Formas para bolos ■ Carne, p. ex., assados ou grelhados ■ Refeições ultracongeladas
Tabuleiro	<ul style="list-style-type: none"> ■ Bolo de tabuleiro ■ Produtos de pastelaria fina
Tabuleiro universal	<ul style="list-style-type: none"> ■ Bolos húmidos ■ Biscoitos ■ Refeições ultracongeladas ■ Assados grandes
Conjunto de raile telescópico	Conjunto de raile telescópico para um nível

5.2 Função de encaixe

A função de encaixe impede que o acessório vire ao puxá-lo para fora.

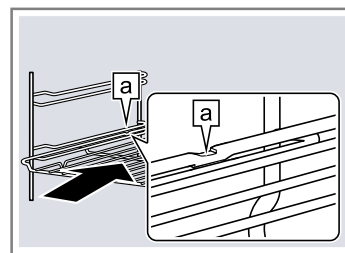
Pode puxar o acessório cerca de metade para fora, até que engate. Empurre o acessório corretamente para dentro do interior do aparelho, para que a proteção contra a viragem funcione.

5.3 Inserir o acessório no interior do aparelho

1. Rode o acessório de modo que o entalhe [a] esteja atrás e virado para baixo.
2. Insira o acessório entre as duas hastes guias de um nível de inserção.

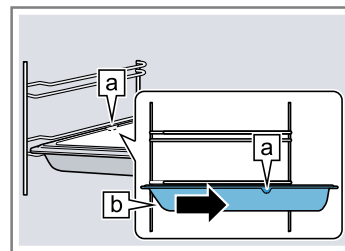
Grelha

O lado aberto deve estar virado para a porta do aparelho e a curvatura para baixo ~.



Chapa, p. ex., tabuleiro universal ou tabuleiro

A frente da chanfradura do acessório [a] deve apontar para a porta do aparelho.



3. Insira o acessório por completo de modo que não toque na porta do aparelho.

Nota: Retire do interior do aparelho os acessórios de que não necessita durante o funcionamento.

6 Antes da primeira utilização

Efetue as regulações para a primeira colocação em funcionamento. Limpe o aparelho e os acessórios.

6.1 Acertar a hora

Após a conclusão, no visor pisca 12:00. Acerte a hora.

1. Acerte a hora com + ou -.
2. Prima ⏸.

Nota: Decorrido o tempo regulado, a hora é automaticamente memorizada.

6.2 Limpar o aparelho antes da primeira utilização

Limpe o interior do aparelho e o acessório, antes de preparar pela primeira vez refeições com o aparelho.

1. Retire o acessório do interior do aparelho e desmonte a estrutura de suporte. → *Página 63*

2. Remova completamente os vestígios de embalagem do interior do aparelho, como, p. ex., pedaços de esferovite.
3. Algumas peças estão revestidas com uma película antirrisco. Remova a película antirrisco.
4. Limpe o aparelho por fora com um pano macio e húmido.
5. Limpe o interior do aparelho com solução à base de detergente.
6. Para eliminar o cheiro a novo, aqueça o forno fechado e vazio.
7. Rode o seletor de função para ☐.
8. Regule a temperatura máxima.
Ao aquecer o aparelho pela primeira vez, podem ser audíveis ruídos de estalidos a partir do interior do aparelho.
9. Areje a cozinha enquanto o aparelho estiver a aquecer.
10. Desligue o aparelho após 1 hora.
11. Deixe arrefecer o aparelho.

12. Quando o interior do aparelho tiver arrefecido, limpe as superfícies lisas com uma solução à base de detergente.
13. Monte a estrutura de suporte. → *Página 63*
14. Se necessário, limpe os vidros da porta. → *Página 63*

7 Operação base

7.1 Ligar o aparelho

1. Regule o tipo de aquecimento com o seletor de funções.
 2. Selecione a temperatura com o comando da temperatura.
- ✓ O aparelho começa a aquecer.

Nota: O controlo da temperatura indica o estado atual do aquecimento.

6.3 Limpeza dos acessórios

- ▶ Limpe bem o acessório com uma solução à base de detergente e um pano multiusos macio.

7.2 Alterar o tipo de aquecimento e temperatura

1. Altere o tipo de aquecimento com o seletor de função.
2. Altere a temperatura com o comando da temperatura.

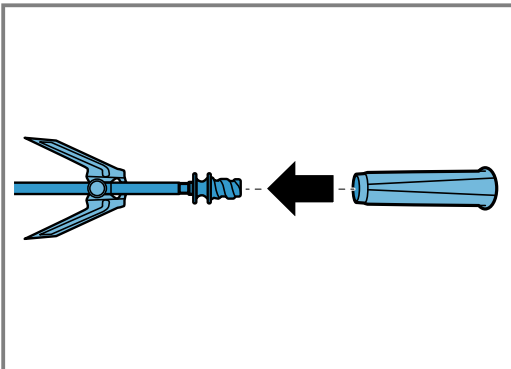
7.3 Desligar o aparelho

- ▶ Rode o seletor de função para a posição inicial.

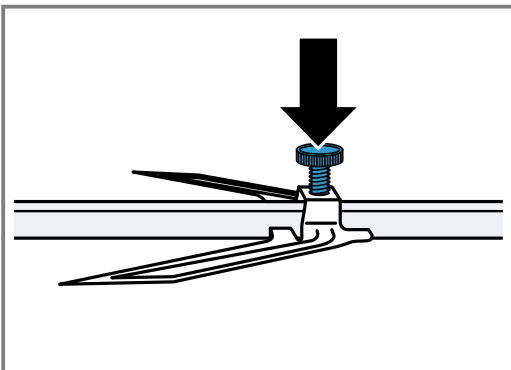
8 Espeto rotativo

8.1 Preparar o espeto rotativo

1. Insira um gancho de fixação no espeto rotativo e aperte a pega.



2. Empurre o alimento a assar para o centro do espeto rotativo.
3. Fixe o alimento a assar com o grampo de fixação.
4. Fixar os grampos de fixação com os parafusos de cabeça estriada.



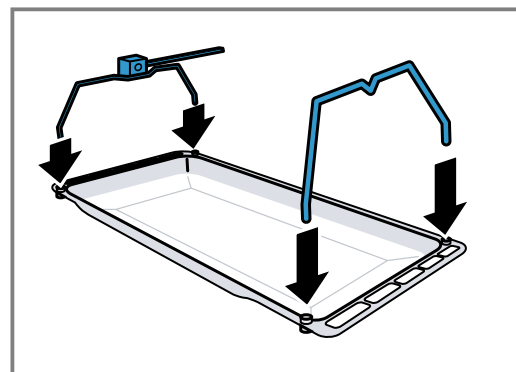
8.2 Colocar o espeto rotativo

⚠ AVISO – Risco de queimaduras!

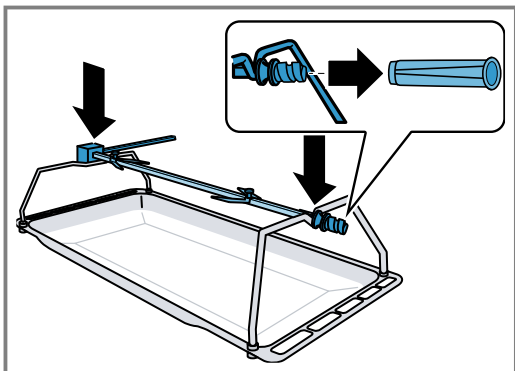
Durante a utilização, o aparelho e as peças que podem ser tocadas ficam quentes.

- ▶ Recomenda-se que tenha cuidado, para evitar tocar em elementos de aquecimento.
- ▶ Crianças novas, com menos de 8 anos, têm de ser mantidas afastadas.

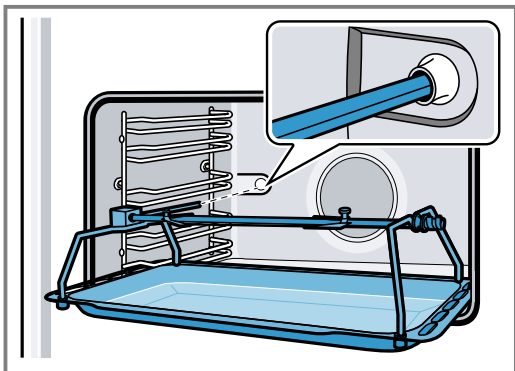
1. Encaixar o aro do espeto rotativo nas entradas rosçadas.



- Coloque o espeto rotativo no aro do espeto rotativo e desenrosque a pega.



- Insira o tabuleiro universal à altura de inserção 1 e insira o espeto rotativo no suporte do motor.



- Para recolher melhor pingos de gordura, deite um pouco de água no tabuleiro universal.
- Feche a porta do aparelho.

8.3 Ligar o espeto rotativo

Nota: Se utilizar o espeto rotativo, preaqueça o aparelho com o tipo de aquecimento ☐. Insira o espeto rotativo, antes de regular a função de aquecimento ☒.

- Regule o seletor de função para ☒.
- Regule a temperatura.

8.4 Retirar o espeto rotativo

⚠ AVISO – Risco de queimaduras!

Durante a utilização, o aparelho e as peças que podem ser tocadas ficam quentes.

- ▶ Recomenda-se que tenha cuidado, para evitar tocar em elementos de aquecimento.
- ▶ Crianças novas, com menos de 8 anos, têm de ser mantidas afastadas.

- Abra a porta do aparelho.
- Puxe o tabuleiro universal lentamente para fora, até que metade deste sobressaia do interior do aparelho.
- Puxe o tabuleiro universal completamente para fora do interior do aparelho e coloque-o sobre a bancada de trabalho.
- Enrosque a pega no espeto rotativo.
- Retire o espeto rotativo pela pega para fora do aro do espeto rotativo.

9 Funções de tempo

9.1 Visão geral das funções de tempo

Aqui encontra uma visão geral das funções de tempo.

Símbolo	Função de tempo	Utilização
🔔	Temporizador de curta duração	O temporizador de curta duração funciona como um relógio de cozinha. Funciona independentemente do modo de funcionamento e de outras funções de tempo e não influencia o aparelho.
88:88	Hora	Se não estiver a ser executada outra função em primeiro plano, o aparelho exibirá a hora no visor.
⏪	Tempo de duração	Decorrido um tempo de duração regulado, o aparelho termina automaticamente o funcionamento.
⏩	Hora de conclusão	Introduza o tempo de duração e uma hora de conclusão desejada. O aparelho liga-se automaticamente, de modo a terminar o funcionamento à hora desejada.

9.2 Regular o temporizador de curta duração

O temporizador de curta duração não tem qualquer influência sobre as funções do forno.

Nota: Pode regular o tempo de duração do temporizador de curta duração entre 1 minuto e 23 horas e 59 minutos. Até 10 minutos, pode regular o tempo de duração em intervalos de 30 segundos, entre 10 minutos e uma hora, em intervalos de um minuto; acima disso, em intervalos de 5 minutos.

- Prima ⏪.
- ✓ ⏪ acende-se.
- Regule o tempo de duração pretendido com + e -.
- ✓ Decorrido o tempo de duração, soa um sinal.

Notas

- Para alterar o tempo restante, prima ⏪ e altere o tempo restante com + ou -.
- Para cancelar o temporizador de curta duração, regule o tempo restante para zero.

Desligar o sinal sonoro


▶ Para desligar o sinal sonoro, prima uma tecla à escolha.

Nota: Após um breve período, o sinal termina automaticamente.

9.3 Acertar a hora


Se necessário, pode alterar a hora, p. ex., da hora de verão para a hora de inverno.

Requisito: O aparelho está desligado.

1. Mantenha  pressionado, até que o relógio comece a piscar.
2. Acerte a hora com $+$ e $-$.

9.4 Regular o tempo de duração

Pode regular o tempo de cozedura para a sua refeição no seu aparelho. Deste modo, o tempo de cozedura não é excedido involuntariamente e não terá de interromper outros trabalhos para terminar o funcionamento.

1. Regule o tipo de aquecimento e a temperatura.
- ✓ O aparelho começa a funcionar.
2. Prima  duas vezes.
3. Regule o tempo de duração com $+$ e $-$.
Pode regular um tempo de duração entre 1 minuto e 23 horas e 59 minutos. Até uma hora, pode regular o tempo de duração em intervalos de um minuto, acima disso, em intervalos de 5 minutos.
- ✓ \rightarrow acende-se.



Terminar o funcionamento

Depois de decorrido o tempo de duração, soa um sinal acústico. O aparelho deixa de aquecer.

1. Para desligar o sinal sonoro, prima uma tecla à escolha.
Após um breve período, o sinal termina automaticamente.
2. Rode o selector de funções para a posição inicial.

9.5 Regular a hora de conclusão

O funcionamento tem início num momento posterior por si selecionado e pelo tempo de duração por si regulado.

1. Regule o tipo de aquecimento e a temperatura.
- ✓ O aparelho começa a funcionar.
2. Prima  duas vezes.
3. Regule o tempo de duração com $+$ e $-$.
Pode regular um tempo de duração entre 1 minuto e 23 horas e 59 minutos. Até uma hora, pode regular o tempo de duração em intervalos de um minuto, acima disso, em intervalos de 5 minutos.
- ✓ \rightarrow acende-se.
4. Prima .
5. Regule a hora de conclusão com $+$ ou $-$.
Ao premir pela primeira vez a tecla, no visor surge um valor sugerido. O valor sugerido resulta da hora atual e do tempo de duração.
- ✓ \rightarrow acende-se.
- ✓ O visor mostra a hora de conclusão. O aparelho comuta para o modo de espera.

Terminar o funcionamento

Depois de decorrido o tempo de duração, soa um sinal acústico. O aparelho deixa de aquecer.

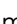
1. Para desligar o sinal sonoro, prima uma tecla à escolha.
Após um breve período, o sinal termina automaticamente.
2. Rode o selector de funções para a posição inicial.

10 Fecho de segurança para crianças

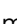
Bloqueie o seu aparelho para que as crianças não o ativem por descuido ou alterem as regulações. Se tiver uma placa de cozinhar ligada ao forno, a placa de cozinhar não está bloqueada.

10.1 Ativar o fecho de segurança para crianças

Requisito: Não está regulado nenhum tempo de duração nem nenhuma hora de conclusão.

- ▶ Prima  durante cerca de 4 segundos.
- ✓ No visor aparece *SAFE*.

10.2 Desativar o fecho de segurança para crianças

- ▶ Prima  durante cerca de 4 segundos.
- ✓ No visor apaga-se *SAFE*.

11 Limpeza e manutenção

Para que o seu aparelho se mantenha durante muito tempo operacional, deve proceder a uma limpeza e manutenção cuidadosa do mesmo.

11.1 Produto de limpeza

Para não danificar as diversas superfícies no aparelho, não utilize produtos de limpeza inadequados.

AVISO – Risco de choque elétrico!

A infiltração de humidade pode provocar um choque elétrico.

- ▶ Não utilizar aparelhos de limpeza a vapor ou de alta pressão para limpar o aparelho.

ATENÇÃO!

Produtos de limpeza inadequados danificam as superfícies do aparelho.

- ▶ Não utilize produtos de limpeza agressivos ou abrasivos.
- ▶ Não utilizar produtos de limpeza com elevado teor de álcool.
- ▶ Não utilizar esfregões de palha-de-aço ou esponjas abrasivas.
- ▶ Não utilizar produtos de limpeza especiais para limpeza a quente.

- ▶ Apenas utilizar produtos limpa-vidros, produtos de limpeza de aço inoxidável e o raspador para vidros, se as instruções de limpeza os recomendarem para a peça em causa.

Produtos limpa-fornos no interior quente do aparelho danificam o esmalte.

- ▶ Nunca utilizar produtos limpa-fornos no interior quente do aparelho.
- ▶ Antes de voltar a aquecer, remover totalmente os resíduos do interior e da porta do aparelho.

O sal contido em panos esponja novos pode danificar as superfícies.

- ▶ Lave bem os panos esponja novos, antes de os utilizar.

11.2 Produtos de limpeza adequados

Utilize apenas produtos de limpeza adequados para as várias superfícies no seu aparelho.

Exterior do aparelho

Observe as instruções relativas à limpeza do aparelho.

Área	Produtos de limpeza adequados	Notas
Frente em aço inoxidável	<ul style="list-style-type: none"> ■ Solução à base de detergente quente ■ Produtos de tratamento específicos para aço inoxidável para superfícies quentes 	Para evitar corrosão, remova de imediato manchas de calcário, manchas de gordura, manchas de amido e manchas de clara de ovo de superfícies de aço inoxidável. Aplique uma camada fina do produto de tratamento para aço inoxidável.
Painel de comandos	Solução à base de detergente quente	Limpe com um pano multiusos e seque com um pano macio. Não utilize produtos limpa-vidros nem raspadores para vidros.
Vidros da porta	Solução à base de detergente quente	Limpe com um pano multiusos e seque com um pano macio. Não utilize raspadores para vidros nem esfregões de arame.
Puxador da porta	Solução à base de detergente quente	Limpe com um pano multiusos e seque com um pano macio. Para evitar manchas que já não saem, remover imediatamente o anticalcário da pega.

Interior do aparelho

Área	Produtos de limpeza adequados	Notas
Superfícies esmaltadas	<ul style="list-style-type: none"> ■ Solução à base de detergente quente ■ Água com vinagre ■ Produto limpa-fornos 	Limpe com um pano multiusos e seque com um pano macio. Amoleça os resíduos de alimentos queimados com um pano húmido e solução à base de detergente. Em caso de sujidade incrustada, utilize um esfregão em aço inox ou um produto limpa-fornos. Depois da limpeza, deixe o forno aberto para secar. Nota: Os resíduos de alimentos podem provocar manchas brancas. Os resíduos são inofensivos para a saúde e não influenciam o funcionamento do aparelho. Pode remover os resíduos com ácido cítrico.
Superfícies de auto-limpeza		Observe as indicações relativas às superfícies do interior do aparelho, que se seguem à tabela. → "Limpar as superfícies de autolimpeza", Página 62
Tampa de vidro da iluminação do interior do aparelho	<ul style="list-style-type: none"> ■ Solução à base de detergente quente ■ Produto limpa-fornos 	Limpe com um pano multiusos e seque com um pano macio. Em caso de forte sujidade, utilize um produto limpa-fornos.

Área	Produtos de limpeza adequados	Notas
Vidros da porta	Solução à base de detergente quente	Limpe com um pano multiusos e seque com um pano macio. Não utilize raspadores para vidros nem esfregões de arame. Dica: Limpe os vidros de porta, de preferência, juntamente com o interior do aparelho. → "Limpar o interior do aparelho", Página 62
Vedante da porta	Solução à base de detergente quente	Limpe com um pano multiusos. Não limpe o vedante da porta com produtos abrasivos nem o retire.
Moldura da porta em aço inoxidável	Produto de limpeza para aço inoxidável	Respeite as indicações dos fabricantes. Não utilize produtos limpa-vidros nem raspadores para vidros. Não utilize produtos de conservação para aço inoxidável. Dica: De preferência, retire a moldura da porta.
Moldura da porta em plástico	Solução à base de detergente quente	Não utilize produtos limpa-vidros nem raspadores para vidros. Não utilize produtos de conservação para aço inoxidável. Dica: De preferência, retire a moldura da porta.
Estruturas de suporte	Solução à base de detergente quente	Ponha de molho e, a seguir, limpe com um pano multiusos ou uma escova.
Sistema extraível	Solução à base de detergente quente	Limpe com um pano multiusos ou uma escova. Para não remover a massa lubrificante, lave os rails fechados. Não coloque na máquina de lavar louça.
Acessórios	Solução à base de detergente quente	Ponha de molho e, a seguir, limpe com um pano multiusos ou uma escova. Se o acessório estiver muito sujo, limpe com um esfregão de aço inoxidável. Dica: Pode lavar o acessório esmaltado na máquina de lavar louça.

Notas

- Podem ocorrer pequenas diferenças de cor na frente do aparelho provocadas por diversos materiais, p. ex., vidro, plástico ou metal.
- Sombras nos vidros da porta, semelhantes a estrias, são reflexos luminosos da iluminação do interior do aparelho.
- O esmalte é aplicado a temperaturas muito elevadas, o que poderá originar pequenas diferenças de coloração. As diferenças de cor são normais e não influenciam o funcionamento. Não é possível esmaltar totalmente as arestas de chapas finas, pelo que podem estar rugosas. Tal não prejudica a proteção anti-corrosão.

11.3 Limpar o aparelho

Limpe o aparelho conforme especificado, para que as diferentes peças e superfícies não sejam danificadas devido a uma limpeza errada ou a produtos de limpeza inadequados.

AVISO – Risco de queimaduras!

Durante a utilização, o aparelho e as peças que podem ser tocadas ficam quentes.

- ▶ Recomenda-se que tenha cuidado, para evitar tocar em elementos de aquecimento.
- ▶ Crianças novas, com menos de 8 anos, têm de ser mantidas afastadas.

AVISO – Risco de incêndio!

Os restos de comida soltos, gorduras e molhos de assados podem inflamar-se.

- ▶ Antes de utilizar, remova a sujidade grosseira do interior do aparelho, dos elementos de aquecimento e dos acessórios.

Requisito: Observe as indicações relativas aos produtos de limpeza.

→ "Produto de limpeza", Página 59

1. Limpe o aparelho com uma solução quente à base de detergente e um pano multiusos.
Em algumas superfícies pode utilizar produtos de limpeza alternativos.
→ "Produtos de limpeza adequados", Página 60
2. Seque com um pano macio.

Dicas

- A sujidade não queima, se limpar o interior do aparelho após cada utilização.

- Remova sempre de imediato manchas de calcário, manchas de gordura, manchas de amido e manchas de clara de ovo.

Nota: Utilize o tabuleiro universal para cozer bolos muito húmidos.

Dica: Para manter o interior do aparelho limpo, utilize recipientes adequados para assar, p. ex., uma assadeira.


11.4 Limpar o interior do aparelho

⚠ AVISO – Risco de queimaduras!

Durante a utilização, o aparelho e as peças que podem ser tocadas ficam quentes.

- ▶ Recomenda-se que tenha cuidado, para evitar tocar em elementos de aquecimento.
- ▶ Crianças novas, com menos de 8 anos, têm de ser mantidas afastadas.

Requisito: O interior do aparelho está totalmente arrefecido.

1. Deite 0,4 l de água no fundo do interior do aparelho.
Não utilize água destilada.
2. Regule  com o seletor de função.
3. Regule 50 °C com o comando da temperatura.
4. Durante a limpeza, deve certificar-se que a água que condensa na calha por baixo da porta do aparelho, não transborda.
 - Se necessário, absorva a água com uma esponja.
5. Após 18 minutos desligue o aparelho.
6. Deixe arrefecer o aparelho.
7. Limpe o interior do aparelho com um pano.

11.5 Limpar as superfícies de autolimpeza

As superfícies de autolimpeza são revestidas com cerâmica porosa e mate. Os salpicos provenientes dos alimentos que estão a ser cozidos ou assados são absorvidos e eliminados por este revestimento, enquanto o aparelho está em funcionamento.

Requisito: O interior do aparelho está arrefecido.

- ▶ Remova os resíduos acastanhados ou brancos com água e uma esponja macia.

Nota: Podem formar-se manchas nas superfícies de autolimpeza. Resíduos de açúcar e albumina nos alimentos não são degradados e ficam agarrados às superfícies. Manchas avermelhadas são resíduos de alimentos salgados, as manchas não são ferrugem. As manchas não são perigosas para a saúde. As manchas não limitam a capacidade de limpeza das superfícies de autolimpeza.

11.6 Trocar a lâmpada do interior do aparelho

Quando a iluminação do interior do aparelho falhar, substitua a respetiva lâmpada.

Nota: Pode adquirir lâmpadas de halogéneo de 230 V, 40 W, suporte G9, junto do Serviço de Assistência Técnica ou no comércio especializado. Utilize apenas estas lâmpadas. Segure lâmpadas de halogéneo novas apenas com um pano limpo e seco. Desta forma, prolonga-se a vida útil da lâmpada.

⚠ AVISO – Risco de queimaduras!

Durante a utilização, o aparelho e as peças que podem ser tocadas ficam quentes.

- ▶ Recomenda-se que tenha cuidado, para evitar tocar em elementos de aquecimento.
- ▶ Crianças novas, com menos de 8 anos, têm de ser mantidas afastadas.

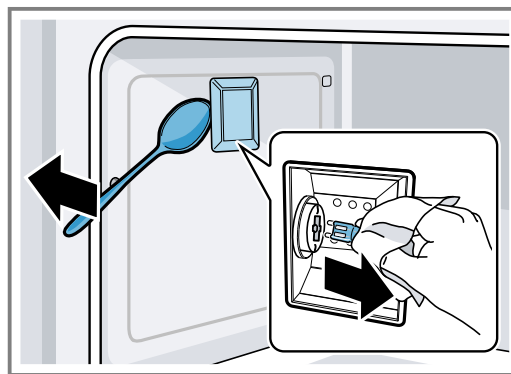
⚠ AVISO – Risco de choque eléctrico!

Ao substituir a lâmpada, os contactos do casquilho da lâmpada estão sob tensão.

- ▶ Antes de substituir a lâmpada é necessário garantir que o aparelho está desligado, de modo a evitar um possível choque eléctrico.
- ▶ Além disso, retire a ficha da tomada ou desligue o disjuntor no quadro eléctrico.

Requisitos

- O fusível está desligado.
 - O interior do aparelho está arrefecido.
 - Está disponível lâmpada de halogéneo nova para substituição.
1. Abra a porta do aparelho.
 2. Para evitar danos, coloque um pano da loiça no interior do aparelho.
 3. Retire o acessório do interior do aparelho e desmonte a estrutura de suporte. → *Página 63*
 4. Retire a tampa de vidro.
Se for difícil abrir a tampa de vidro a partir da frente, utilize uma colher para auxiliar.
 5. Puxe para fora a lâmpada do interior do aparelho.



6. Substitua a lâmpada do interior do aparelho por uma do mesmo tipo.
7. Volte a colocar a tampa de vidro da lâmpada do forno.
8. Monte a estrutura de suporte. → *Página 63*
9. Volte a retirar o pano da loiça.
10. Volte a ligar o fusível.
11. Verifique se a iluminação do forno está a funcionar.

12 Estruturas de suporte

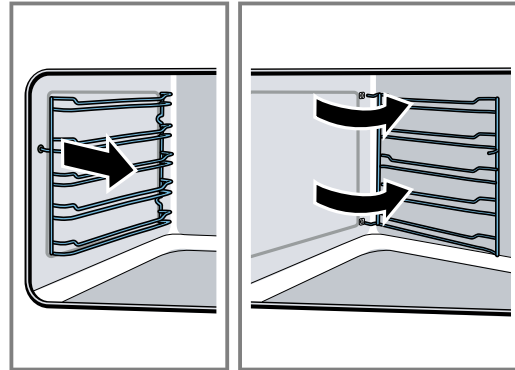
Para limpar bem as estruturas de suporte e o interior do aparelho ou para trocar as estruturas de suporte, pode desengatar as estruturas de suporte.

12.1 Desengatar estrutura de suporte

As estruturas de suporte estão fixas em 3 pontos nas paredes laterais do interior do aparelho.

1. Pegue na estrutura de suporte pelo lado da frente e puxe-a até ao centro do interior do aparelho.
- ✓ O gancho dianteiro da estrutura de suporte desprende-se do orifício.

2. Continue a abrir a estrutura de suporte e retire-a dos orifícios traseiros da parede lateral.



3. Retire a estrutura de suporte do interior do aparelho.

12.2 Engatar estrutura de suporte

1. Insira os ganchos da estrutura de suporte nos orifícios traseiros da parede lateral.
2. Pressione o gancho dianteiro da estrutura de suporte para dentro do orifício.

13 Porta do aparelho

Com uma manutenção e limpeza cuidadosas, garante a conservação e o correto funcionamento do seu aparelho. Aqui ficará a saber como limpar a porta do aparelho.

Nota: Para que a porta do aparelho não toque no móvel para encastrar, ela abre um pouco menos de 90°.

13.1 Desmontar os vidros da porta

Pode desmontar os vidros da porta do aparelho, para os poder limpar melhor.

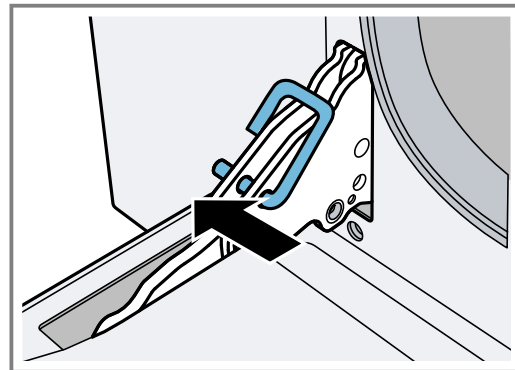
⚠ AVISO – Risco de ferimentos!

O vidro riscado da porta do aparelho pode rachar.

- ▶ Não utilize produtos de limpeza abrasivos ou raspadores metálicos afiados para a limpeza do vidro da porta do forno, pois poderá riscar a superfície.

1. Abra completamente a porta do aparelho.

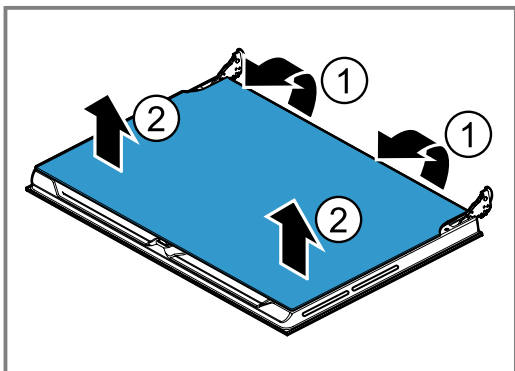
2. Bloqueie as dobradiças à esquerda e à direita com os pinos de fixação.



Os pinos de fixação devem encaixar completamente nos orifícios das dobradiças.

3. Levante a parte inferior do vidro interior com as duas mãos, até os pinos de fixação se soltarem do suporte. ①

4. Elevar a parte superior do vidro interior com cuidado, até que os pinos de fixação se soltem do suporte. ②



5. Pouse o vidro interior cuidadosamente sobre uma superfície plana.
6. Limpe os vidros da porta com um produto limpa-vidros e um pano macio.

13.2 Montar os vidros da porta

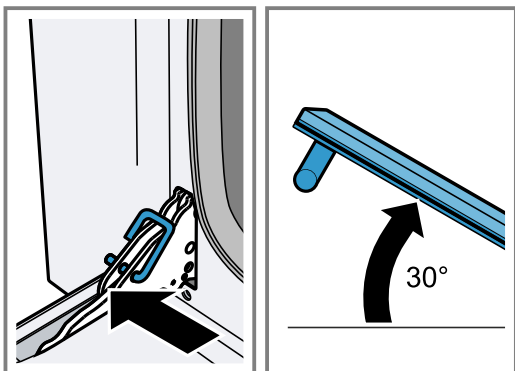
1. Insira o vidro interior.
Os quatro pinos de fixação devem encaixar nos suportes previstos para o efeito.
2. Remova os pinos de fixação e feche a porta do aparelho.

Nota: Não deite os pinos de fixação fora. Guarde os pinos de fixação num local seguro. Vai precisar dos pinos de fixação sempre que retirar a porta do aparelho ou limpar os vidros das portas. Se não tiver pinos de fixação, pode encomendá-los junto da Assistência Técnica.

13.3 Desengatar a porta do aparelho

Em caso de forte sujidade, pode desengatar a porta do aparelho para facilitar a limpeza.

1. Abra completamente a porta do aparelho.
2. Bloquee as dobradiças à esquerda e à direita com os pinos de fixação.
Os pinos de fixação devem encaixar completamente nos orifícios das dobradiças.
3. Segure a porta do aparelho de lado com as duas mãos e feche-a cerca de 30 graus.



Não feche a porta do aparelho por completo. As dobradiças podem deformar-se e podem surgir danos no esmalte.

4. Levante ligeiramente a porta do aparelho e puxe-a para fora.

13.4 Engatar a porta do aparelho

⚠ AVISO – Risco de ferimentos!

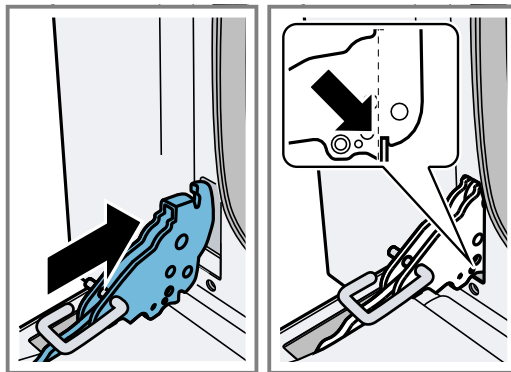
Quando as dobradiças estão desbloqueadas devido a um travamento incompleto, estas podem fechar-se com muita força.

- ▶ Se a dobradiça se fechar ao desengatar e engatar a porta do aparelho, não agarre a dobradiça.
- ▶ Contacte o Serviço de Assistência Técnica.

Um vidro da porta ou porta do aparelho não correctamente montado é perigoso.

- ▶ Certifique-se de que todos os vidros da porta e a porta do aparelho estão correctamente montados antes de voltar a colocar o aparelho em funcionamento.

1. Agarre a porta do aparelho de lado com as duas mãos.
2. Insira as dobradiças nos rebaxos do aparelho.



O entalhe na parte de baixo das dobradiças deve encaixar no aro do aparelho.

3. Baixe a porta do aparelho.
4. Retire os pinos de fixação.

Nota: Não deite os pinos de fixação fora. Guarde os pinos de fixação num local seguro. Vai precisar dos pinos de fixação sempre que retirar a porta do aparelho ou limpar os vidros das portas. Se não tiver pinos de fixação, pode encomendá-los junto da Assistência Técnica.

14 Eliminar falhas

Pequenas anomalias no aparelho podem ser eliminadas pelo próprio utilizador. Antes de contactar a Assistência técnica, consulte as informações sobre a eliminação de anomalias. Isto permite evitar custos desnecessários.

AVISO – Risco de ferimentos!

Reparações indevidas são perigosas.

- ▶ As reparações no aparelho apenas podem ser realizadas por técnicos qualificados.
- ▶ Se o aparelho estiver avariado, contacte a Assistência técnica.

→ "Assistência Técnica", Página 66

AVISO – Risco de choque elétrico!

Reparações indevidas são perigosas.

- ▶ As reparações no aparelho apenas podem ser realizadas por técnicos qualificados.
- ▶ Para a reparação do aparelho só podem ser utilizadas peças sobresselentes originais.
- ▶ Se o cabo de alimentação deste aparelho sofrer algum dano, deverá ser substituído pelo fabricante ou pela sua Assistência Técnica, ou por um técnico devidamente qualificado para o efeito, para se evitarem situações de perigo.

14.1 Falhas de funcionamento

Avaria	Causa e diagnóstico
O aparelho não funciona.	A ficha do cabo de alimentação não está inserida. <ul style="list-style-type: none"> ▶ Ligue o aparelho à corrente elétrica. Faltou a alimentação elétrica. <ul style="list-style-type: none"> ▶ Verifique se a iluminação ambiente ou outros aparelhos no mesmo espaço estão a funcionar. O fusível na caixa de fusíveis foi acionado. <ul style="list-style-type: none"> ▶ Verifique o fusível na caixa de fusíveis.
Não é possível colocar o aparelho em funcionamento.	A porta do aparelho não está totalmente fechada. <ul style="list-style-type: none"> ▶ Feche a porta do aparelho. O aparelho não está desligado. <ul style="list-style-type: none"> ▶ Desligue o aparelho e volte a ligá-lo.
No visor pisca 12:00.	Faltou a alimentação elétrica. <ul style="list-style-type: none"> ▶ Acerte a hora. → "Antes da primeira utilização", Página 56
A iluminação do interior do aparelho não funciona.	Está ativo o modo de funcionamento "Calor superior/inferior suave". <ul style="list-style-type: none"> ▶ Neste modo de funcionamento, a iluminação do interior do aparelho está desligada. A lâmpada do interior do aparelho está avariada. <ul style="list-style-type: none"> ▶ Substitua a lâmpada do interior do aparelho. → "Trocar a lâmpada do interior do aparelho", Página 62
Os pratos confeccionados no forno queimam-se rapidamente.	O termóstato está avariado. <ul style="list-style-type: none"> ▶ Contacte a → "Assistência Técnica", Página 66.
Os vidros da porta estão embaciados.	Ocorrência normal que se deve às diferenças de temperatura existentes. <ul style="list-style-type: none"> ▶ Aqueça o aparelho para 100 °C e desligue o aparelho após 5 minutos.
Não é possível operar um aparelho ligado. No visor acende-se SSAFE.	O fecho de segurança para crianças está ativado. <ul style="list-style-type: none"> ▶ Desative o fecho de segurança para crianças. → "Desativar o fecho de segurança para crianças", Página 59
Visor está congelado ou não reage.	O fecho de segurança para crianças está ativado. <ul style="list-style-type: none"> ▶ Desative o fecho de segurança para crianças. → "Desativar o fecho de segurança para crianças", Página 59
	Falha de funcionamento <ol style="list-style-type: none"> 1. Desligue o disjuntor no quadro elétrico. 2. Ligue o disjuntor passados aprox. 10 segundos. 3. Se a anomalia voltar a ocorrer, contacte a assistência técnica.

Avaria	Causa e diagnóstico
Água de condensação na porta do aparelho ou água de condensação a gotejar.	A porta do aparelho não fecha corretamente. <ul style="list-style-type: none"> ▶ Verifique se a porta do aparelho está instalada e fecha corretamente. → "Porta do aparelho", Página 63
	Vedante sujo. <ol style="list-style-type: none"> 1. Verifique se o vedante está sujo, danificado ou colocado incorretamente. 2. Limpe ou substitua o vedante ou preste atenção ao assentamento correto.
	Formação de condensação normal. → "Formação de condensação", Página 55

15 Eliminação

15.1 Eliminar o aparelho usado

Através duma eliminação compatível com o meio ambiente, podem ser reutilizadas matérias-primas valiosas.

- ▶ Elimine o aparelho de forma ecológica. Para obter mais informações sobre os procedimentos atuais de eliminação, contacte o seu Agente Especializado ou os Serviços Municipais da sua zona.



Este aparelho está marcado em conformidade com a Directiva 2012/19/UE relativa aos resíduos de equipamentos eléctricos e electrónicos (waste electrical and electronic equipment - WEEE).

A directiva estabelece o quadro para a criação de um sistema de recolha e valorização dos equipamentos usados válido em todos os Estados Membros da União Europeia.

16 Assistência Técnica

Pode obter informações detalhadas sobre o período e as condições de garantia no seu país junto da nossa Assistência Técnica, do comerciante ou na nossa página web.

Se contactar a Assistência Técnica, deve ter à mão o número de produto (E-Nr.) e o número de fabrico (FD) do seu aparelho.

Os dados de contacto da Assistência Técnica encontram-se no registo de pontos de Assistência Técnica em anexo ou na nossa página web.

Este produto dispõe de luzes da classe de eficiência energética G.

16.1 Número do produto (E-Nr.) e número de fabrico (FD)

Encontra o número de produto (E-Nr.) e o número de fabrico (FD) na placa de características do aparelho. Encontra a placa de características com os números quando abre a porta do aparelho.



Aponte os dados para ter sempre à mão os dados do seu aparelho e o número de telefone da Assistência Técnica.

17 Como obter bons resultados

Aqui encontra sugestões relativas aos recipientes e à preparação dos seus pratos.

17.1 Como proceder da melhor forma

ATENÇÃO!

Alimentos ácidos podem danificar a grelha

- ▶ Não ponha alimentos ácidos, como fruta ou alimentos para grelhar condimentados com uma marinada ácida, diretamente em cima da grelha.

Nota: Informação para pessoas alérgicas ao níquel

Pequenas quantidades de níquel podem, em casos raros, passar para os alimentos.

1. Antes da utilização, retire do interior do aparelho os recipientes de que não necessita.

2. Selecione um alimento pretendido a partir das recomendações de regulação.
3. Coloque o alimento num recipiente adequado. Utilize os acessórios fornecidos.
4. Pré-aquecer o aparelho apenas se a receita ou as recomendações de regulação o determinarem. Forrar os acessórios com papel vegetal apenas após o pré-aquecimento.
5. Regule o aparelho em conformidade com as recomendações de regulação. Regule primeiro o tempo de duração mais curto. Se necessário, prolongue o tempo de duração.
6. Mantenha a porta do aparelho fechada durante a cozedura.

17.2 Sugestões para cozer bolos
























Reunimos para si algumas dicas para obter um bom resultado de cozedura.

Problemas	Dica
O seu bolo deve crescer de modo uniforme.	<ul style="list-style-type: none"> ■ Unte apenas o fundo da forma de mola. ■ Depois da cozedura, solte o bolo cuidadosamente da forma com uma faca.
Bolos pequenos não devem ficar colados durante a cozedura.	Deixe uma distância mínima de 2 cm para cada pedaço de bolo. Desta forma, os bolos têm espaço suficiente para crescerem e tostarem a toda a volta.

Problemas	Dica
Verifique se o bolo já está cozido.	Espete um palito na parte mais alta do bolo. Se a massa já não ficar colada ao palito, significa que o bolo está pronto.
Pretende fazer um bolo segundo uma receita própria.	Orienta-se pelas indicações nas tabelas para bolos semelhantes.
Utilize formas em silicone, vidro, plástico ou cerâmica.	<ul style="list-style-type: none"> ■ A forma deve ser resistente ao calor até 250°C. ■ Nas formas referidas, o bolo ficará menos alourado.

17.3 Tabela de pratos

Aqui encontra uma vista geral dos pratos.

Alimento	Peso em kg	Nível de inserção	Tipo de aquecimento	Temperatura em °C	Tempo de duração em min
Lasanha	3 – 4	1		220 – 230 ¹	45 – 50
Lasanha	3	2		220 ¹	45
Gratinar massas	3 – 4	1		220 – 230 ¹	45 – 50
Carnes de vitela para assar	2	2		180 – 190 ¹	90 – 100
Lombo de porco	1,5 – 2	2		190 – 200 ¹	90 – 100
Lombo de porco	2	2		200 ¹	120
Salsichas	1,5	3		220 ¹	1.º lado: 10 2.º lado: 7
Carne de vaca para assar	1	2		200 ¹	45 – 55
Coelho estufado	1,5	2		180 – 190 ¹	70 – 80
Peito de peru	2	2		180 – 190 ¹	110 – 120
Cachaço de porco para assar	2 – 3	2		180 – 190 ¹	170 – 180
Frango para assar	1,2	2		190 – 200 ¹	65 – 70
Costeletas de porco	1,5	3		220 ¹	1.º lado: 15 2.º lado: 5
Entrecosto	1,5	3		220 ¹	1.º lado: 15 2.º lado: 10
Toucinho	0,7	4		250 ¹	1.º lado: 10 2.º lado: 8
Lombinho de porco	1,5	3		220 ¹	1.º lado: 12 2.º lado: 5
Lombo de vaca	1	4		250 ¹	1.º lado: 7 2.º lado: 4
Truta salmonada	0,7 – 1,2	2		160 – 170 ¹	35 – 40
Tamboril	0,7 – 1,5	2		160 ¹	60 – 65
Pregado	1,5	2		160 ¹	45 – 50
Pizza	1 – 1,5	2		250 ¹	10 – 12
Pão	1	2		180 – 190 ¹	25 – 30
Focaccia	1	2		180 – 190 ¹	20 – 25

¹ Pré-aqueça o aparelho.

Alimento	Peso em kg	Nível de inserção	Tipo de aquecimento	Temperatura em °C	Tempo de duração em min
Panettone	1	2		160 ¹	55 – 60
Bolo de fruta	1	2		160 ¹	35 – 40
Tarte de queijo	1	2		160 – 170 ¹	45 – 55
Bolo de massa quebrada	1	2		160 – 170 ¹	35 – 40
Bolo de massa quebrada	1	1		170 ¹	55
Bolos com creme	1,2	2		160 ¹	55 – 60
Choux	0,7 – 1,2	2		180 ¹	50 – 60
Bolo simples	1	2		150 – 160 ¹	55 – 60
Arroz doce	1	2		160 ¹	55 – 60
Brioche	1 – 1,2	2		160 ¹	30 – 35

¹ Pré-aqueça o aparelho.

17.4 Sugestões para continuar a cozer

Se algo não resultar durante a cozedura, encontrará aqui sugestões.

Preocupação	Sugestão
O seu bolo afunda.	<ul style="list-style-type: none"> Respeite os ingredientes e as instruções de preparação indicados na receita. Utilize menos líquido. Ou: Reduza a temperatura de cozedura em 10 °C e prolongue o tempo de cozedura.
O seu bolo ficou demasiado seco.	Aumente a temperatura de cozedura em 10 °C e reduza o tempo de cozedura.
O seu bolo ficou demasiado claro.	<ul style="list-style-type: none"> Verifique o nível de inserção e o acessório. Aumente a temperatura de cozedura em 10 °C. Ou: Prolongue o tempo de cozedura.
O seu bolo ficou demasiado escuro.	Reduza a temperatura de cozedura e prolongue o tempo de cozedura.
O seu bolo ficou demasiado claro em cima e demasiado escuro em baixo.	Insira o bolo um nível acima.
O seu bolo ficou demasiado escuro em cima e demasiado claro em baixo.	<ul style="list-style-type: none"> Insira o bolo um nível abaixo. Reduza a temperatura de cozedura e prolongue o tempo de cozedura

Preocupação	Sugestão
O seu bolo não ficou uniformemente tostado.	<ul style="list-style-type: none"> Reduza a temperatura de cozedura. Corte o papel vegetal em excesso. Coloque a forma ao centro. Forme bolos pequenos do mesmo tamanho e espessura.
O seu bolo está pronto por fora, mas ainda não ficou bem cozido por dentro.	<ul style="list-style-type: none"> Reduza a temperatura de cozedura e prolongue o tempo de cozedura. Adicione menos líquido. <p>Nos bolos com cobertura húmida:</p> <ul style="list-style-type: none"> Coza previamente a massa da base. Polvilhe o fundo cozido com amêndoas ou pão ralado. Coloque a cobertura no fundo.
O seu bolo não desenforma depois de virar a forma.	<ul style="list-style-type: none"> Depois de cozer, deixe arrefecer o bolo durante 5 a 10 minutos. Descole cuidadosamente as bordas do bolo com uma faca. Vire novamente o bolo e cubra a forma várias vezes com um pano húmido e frio. Da próxima vez que cozer, unte a forma e polvilhe com pão ralado.

17.5 Sugestões para a próxima vez que cozinhar

Se o assado não resultar de imediato, encontrará aqui sugestões.

Problemas	Dica
O seu assado ficou demasiado escuro e a pele está queimada em alguns pontos.	<ul style="list-style-type: none"> ▪ Selecione uma temperatura mais baixa. ▪ Reduza a duração do assado.
O seu assado ficou demasiado seco.	<ul style="list-style-type: none"> ▪ Selecione uma temperatura mais baixa. ▪ Reduza a duração do assado.
A crosta do seu assado ficou muito fina.	<ul style="list-style-type: none"> ▪ Aumente a temperatura. Ou: ▪ Após o fim da duração do assado, ligue brevemente o grelhador.
O molho do seu assado queimou.	<ul style="list-style-type: none"> ▪ Escolha um recipiente mais pequeno. ▪ Adicione mais líquido durante o assado.

Problemas	Dica
O molho do seu assado ficou demasiado claro e aguado.	<ul style="list-style-type: none"> ▪ Para que mais líquido evapore, escolha um recipiente maior. ▪ Adicione menos líquido durante o assado.
Ao estufar carne, esta fica esturricada.	<ul style="list-style-type: none"> ▪ Verifique se o recipiente tem uma tampa adequada e se veda bem. ▪ Reduza a temperatura. ▪ Adicione líquido ao estufar.
O seu assado está mal passado.	<ul style="list-style-type: none"> ▪ Corte a carne. ▪ Prepare o molho no recipiente para assados. ▪ Coloque as fatias no molho. ▪ Termine a cozedura das fatias do assado com o micro-ondas.

18 Instruções de montagem

Respeite estas informações durante a instalação do aparelho.



⚠ 18.1 Instalação segura

Tenha em consideração estas indicações antes de começar com a montagem do aparelho.

⚠ AVISO – Risco de incêndio!

A utilização de extensões do cabo elétrico e de adaptadores não homologados é perigosa.

- ▶ Não utilize tomadas múltiplas.
- ▶ Utilize apenas cabos de extensão que estejam certificados, tenham uma secção transversal mínima de 1,5 mm² e que satisfaçam os requisitos de segurança nacionais pertinentes.
- ▶ Se o cabo elétrico for demasiado curto e não estiver disponível um cabo elétrico mais comprido, contacte um especialista em eletricidade para adaptar a instalação doméstica.
- ▶ Utilize exclusivamente adaptadores e cabos elétricos homologados pelo fabricante.

ATENÇÃO!

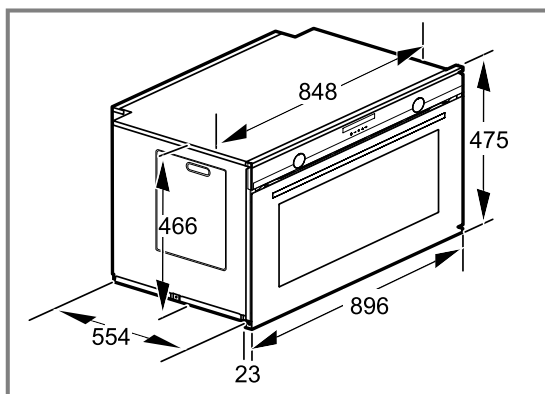
Transportar o aparelho pela pega da porta pode partir a pega. A pega da porta não suporta o peso do aparelho.

- ▶ Não transporte nem segure o aparelho pela pega da porta.
- Apenas uma montagem profissional de acordo com estas instruções de montagem garante uma utilização segura. Os danos causados por uma montagem inadequada são da responsabilidade do instalador.
- Examine o aparelho depois de o desembalar. Se forem detetados danos de transporte, não ligue o aparelho.
- Remova a embalagem e as películas auto-colantes do interior do aparelho e da porta antes da colocação em funcionamento.
- Observe as fichas de montagem para a instalação de acessórios.
- Os móveis de encastrar têm de ser resistentes a temperaturas até 90 °C e as frentes dos móveis adjacentes até 70 °C.
- Não monte o aparelho atrás de um painel decorativo ou de uma porta de móvel. Há risco de aquecimento excessivo.
- Realize os trabalhos de recorte no móvel antes da colocação do aparelho. Remova as aparas. A função dos componentes elétricos pode ser prejudicada.

- A tomada de ligação do aparelho tem de se encontrar fora da zona de montagem.
- Ligue os aparelhos elétricos sempre à terra.
- Para evitar ferimentos por corte devem ser utilizadas luvas de proteção. As peças que ficam acessíveis durante a montagem podem ter arestas afiadas.
- Medidas indicadas nas figuras em mm.

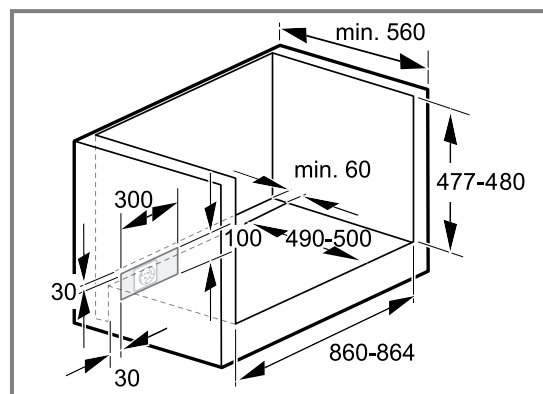
18.2 Dimensões do aparelho

Aqui encontra as medidas do aparelho.



18.3 Montagem por baixo de uma bancada de trabalho

Respeite as medidas de montagem e as distâncias de segurança ao montar por baixo de uma bancada de trabalho.

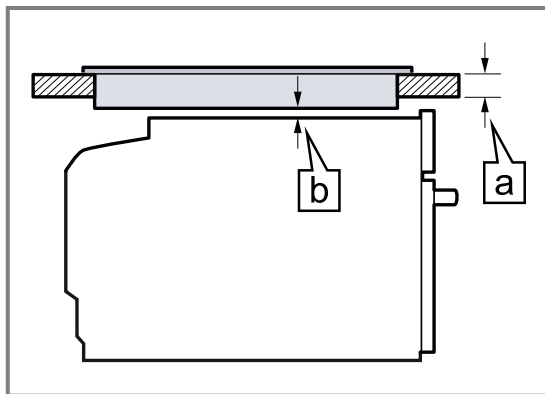


Para a ventilação do aparelho, o fundo falso deve apresentar um recorte para ventilação.

18.4 Montagem por baixo de uma placa de cozinhar

Se o aparelho for montado por baixo de uma placa de cozinhar, têm de ser respeitadas medidas mínimas; se for o caso, inclusivamente a estrutura inferior.

A espessura mínima da bancada [a] resulta da distância mínima necessária [b].

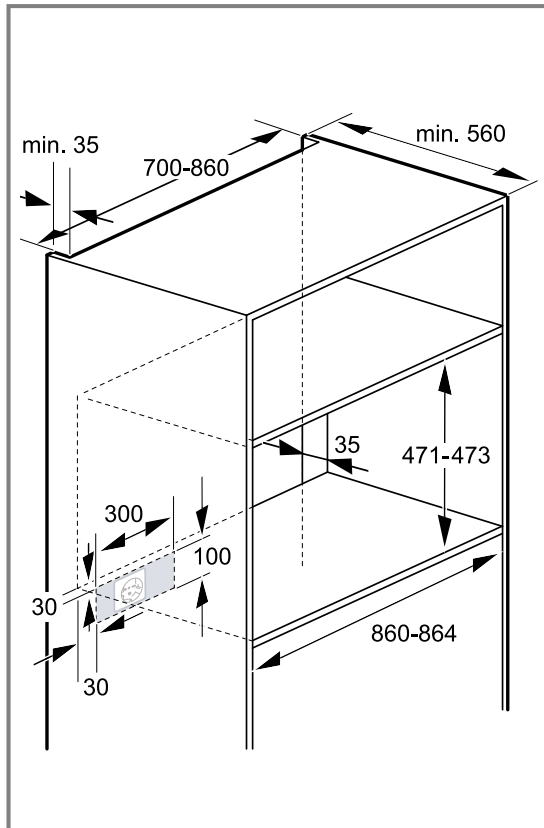


Tipo de placa de cozinhar	[a] saliente, em mm	[a] plana à superfície, em mm	[b] em mm
Placa de indução	49	50	5
Placa de cozinhar por indução de superfície integral	70	70	5
Placa a gás	39	50	5
Placa elétrica	39	42	2

Fixe a bancada no móvel para encastrar. Respeite as instruções de montagem da placa de cozinhar.

18.5 Montagem num armário vertical

Respeite as medidas de montagem e as distâncias de segurança no armário vertical.



- Certifique-se de que o fundo intermédio tem um espaço em relação à parede de encosto, de modo a ventilar o aparelho.
- Se, para além das paredes traseiras do elemento, o armário vertical tiver uma outra parede traseira, esta deve ser removida.
- Monte o aparelho a uma altura máxima que permita retirar os acessórios sem problemas.

18.6 Montagem de dois aparelhos sobrepostos

O seu aparelho também pode ser montado por cima de um outro aparelho.

18.7 Ligação elétrica

Para poder efetuar a ligação elétrica do aparelho em segurança, respeite estas indicações.

- A proteção tem de ser garantida de acordo com a indicação de potência presente na placa de características e com as normas locais.
- O aparelho corresponde à classe de proteção I e apenas pode ser operado com ligação de condutor de proteção.
- O aparelho tem de estar desligado da corrente durante a realização de qualquer trabalho de montagem.
- A proteção contra contacto accidental tem de estar garantida através da montagem.

- Aparelhos sem ficha apenas podem ser ligados por técnicos do concessionário. Para estes vigoram os regulamentos do fornecedor de eletricidade regional.

Ligação elétrica do aparelho sem ficha de contacto de proteção

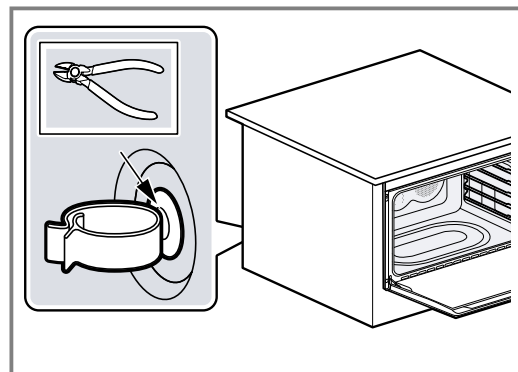
Nota: O aparelho apenas pode ser ligado por técnicos concessionados. A garantia cessa em caso de danos provocados por uma ligação incorreta.

Na instalação elétrica fixa tem de estar montado um dispositivo de seccionamento em conformidade com as regras de instalação.

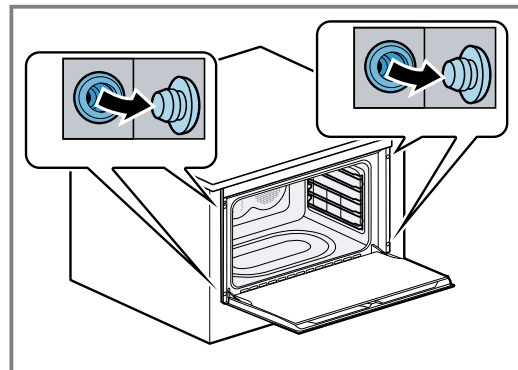
1. Identificar os condutores de fase e neutro ("zero") da tomada de ligação.
O aparelho poderá sofrer danos se a ligação for efetuada incorretamente.
2. Ligue o aparelho apenas a uma tensão de rede, entre 220 e 240 V.
3. Ligue os fios do cabo de ligação à rede elétrica respeitando as cores:
 - verde/amarelo = condutor de proteção \oplus
 - azul = condutor neutro ("zero")
 - castanho = fase (condutor externo)

18.8 Montar o aparelho

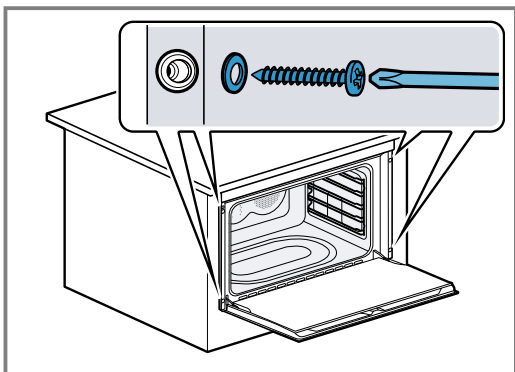
1. Insira o aparelho e centre-o.
Não dobre o cabo de ligação.
2. Se necessário, remova a guia de cabos com uma ferramenta.



3. Abra completamente a porta do forno.
4. Retire a tampa de proteção.



5. Aparafuse o aparelho ao móvel.



6. Coloque a tampa de proteção.

Nota: Nunca vede o espaço entre a bancada e o aparelho com réguas adicionais.

18.9 Desmontar o aparelho

1. Desligue o aparelho da corrente.
2. Desaperte os parafusos de fixação.
3. Levante ligeiramente o aparelho e retire-o para fora.



Thank you for buying a Bosch Home Appliance!

Register your new device on MyBosch now and profit directly from:

- **Expert tips & tricks for your appliance**
- **Warranty extension options**
- **Discounts for accessories & spare-parts**
- **Digital manual and all appliance data at hand**
- **Easy access to Bosch Home Appliances Service**

Free and easy registration – also on mobile phones:

www.bosch-home.com/welcome

BOSCH
HOME APPLIANCES
SERVICE

Looking for help? You'll find it here.

Expert advice for your Bosch home appliances, help with problems or a repair from Bosch experts.

Find out everything about the many ways Bosch can support you:

www.bosch-home.com/service

Contact data of all countries are listed in the attached service directory.

BSH Hausgeräte GmbH

Carl-Wery-Straße 34
81739 München, GERMANY
www.bosch-home.com

A Bosch Company



9001867517 (030922)

en, fr, pt

Valid within Great Britain:
Imported to Great Britain by
BSH Home Appliances Ltd.
Grand Union House
Old Wolverton Road
Wolverton, Milton Keynes
MK12 5PT
United Kingdom