



**BOSCH**

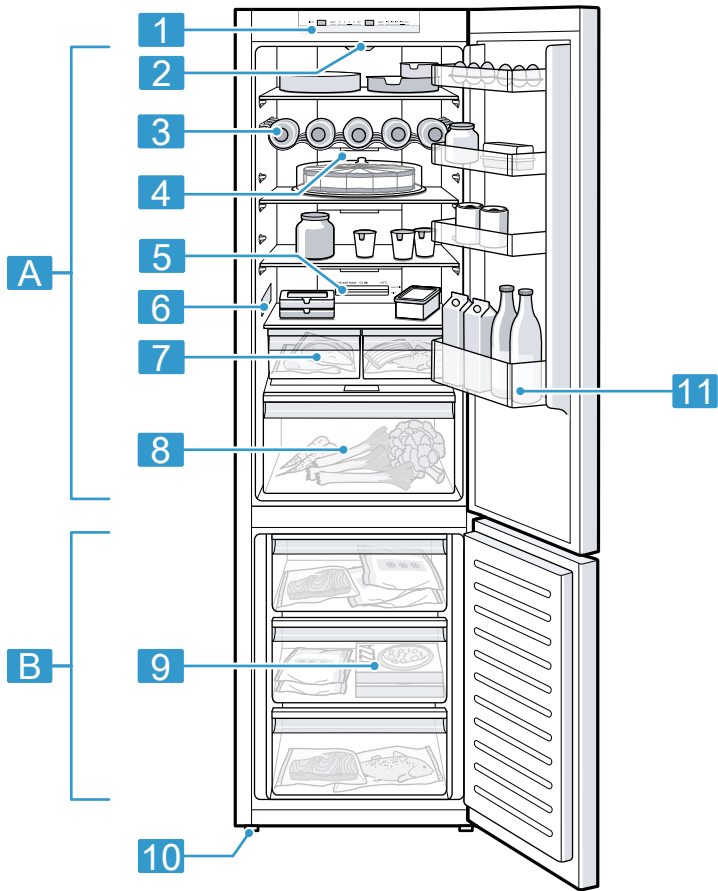


Register your  
new device on  
MyBosch now and  
get free benefits:  
[bosch-home.com/  
welcome](https://bosch-home.com/welcome)

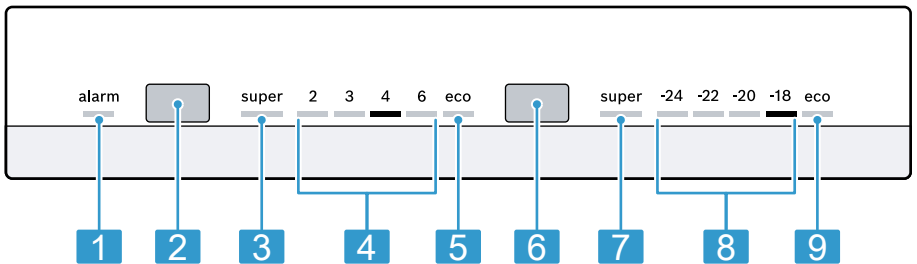
# Fridge-freezer

**KG36..**  
**KG39..**

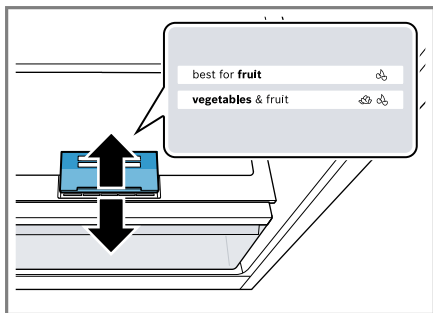
<b>[en]</b>	Information for Use	Fridge-freezer	5
<b>[ru]</b>	Руководство пользователя	Холодильно-морозильная комбинация	30
<b>[uk]</b>	Керівництво з експлуатації	Холодильно-морозильна комбінація	57



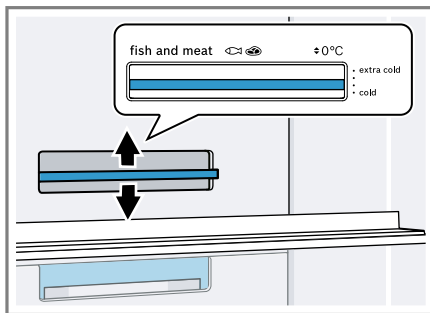
**1**



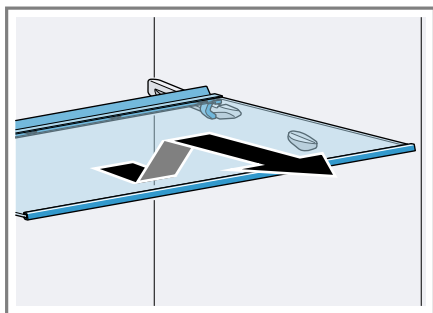
**2**



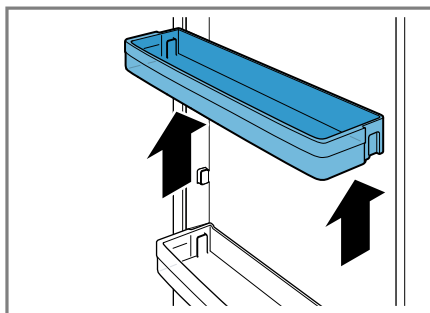
3



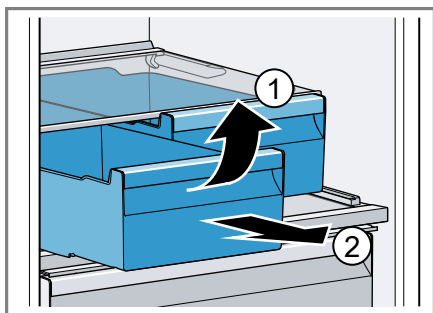
4



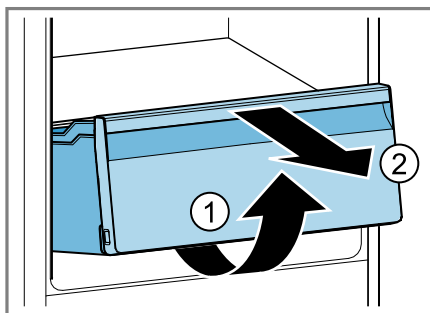
5



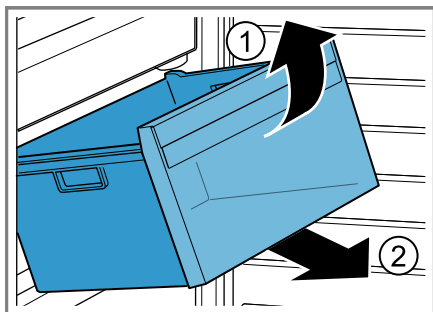
6



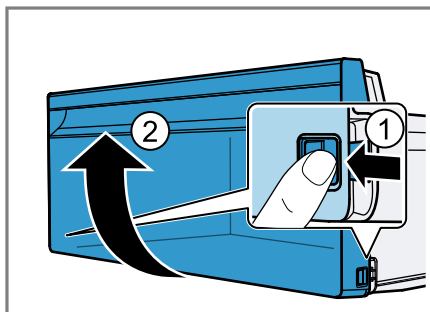
7



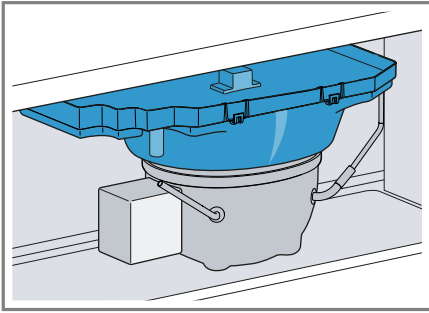
8



9



10



11

**Further information and explanations are available online:**



## Table of contents

<b>1 Safety .....</b>	<b>7</b>		
1.1 General information.....	7	6.5 Door rack.....	17
1.2 Intended use.....	7	6.6 Accessories.....	17
1.3 Restriction on user group.....	7	<b>7 Basic operation .....</b>	<b>17</b>
1.4 Safe transport.....	7	7.1 Switching on the appliance.....	17
1.5 Safe installation .....	8	7.2 Operating tips.....	18
1.6 Safe use .....	9	7.3 Switching off the appliance.....	18
1.7 Damaged appliance.....	11	7.4 Setting the temperature.....	18
<b>2 Preventing material damage ....</b>	<b>13</b>	<b>8 Additional functions .....</b>	<b>19</b>
<b>3 Environmental protection and saving energy.....</b>	<b>13</b>	8.1 Super cooling .....	19
3.1 Disposing of packaging .....	13	8.2 Super freezing .....	19
3.2 Saving energy.....	13	8.3 Energy-saving mode.....	19
<b>4 Installation and connection.....</b>	<b>14</b>	<b>9 Alarm.....</b>	<b>20</b>
4.1 Scope of delivery.....	14	9.1 Door alarm .....	20
4.2 Criteria for the installation location.....	14	9.2 Temperature alarm.....	20
4.3 Installing the appliance .....	15	<b>10 Refrigerator compartment.....</b>	<b>20</b>
4.4 Preparing the appliance for the first time.....	15	10.1 Tips for storing food in the refrigerator compartment .....	20
4.5 Connecting the appliance to the electricity supply.....	15	10.2 Chill zones in the refrigerator compartment.....	21
<b>5 Familiarising yourself with your appliance.....</b>	<b>15</b>	<b>11 Freezer compartment.....</b>	<b>21</b>
5.1 Appliance .....	15	11.1 Freezing capacity .....	21
5.2 Control panel.....	16	11.2 Fully utilising the freezer compartment volume .....	21
<b>6 Features .....</b>	<b>16</b>	11.3 Tips for storing food in the freezer compartment.....	21
6.1 Shelf.....	16	11.4 Tips for freezing fresh food ...	21
6.2 Bottle shelf.....	16	11.5 Shelf life of frozen food at -18 °C.....	22
6.3 Storage container.....	16	11.6 Defrosting methods for frozen food .....	22
6.4 Fruit and vegetable container with humidity control .....	16		

<b>12 Defrosting</b> .....	<b>23</b>
12.1 Defrosting in the refrigerator compartment.....	23
12.2 Defrosting in the freezer compartment .....	23
<b>13 Cleaning and servicing</b> .....	<b>23</b>
13.1 Preparing the appliance for cleaning .....	23
13.2 Cleaning the appliance .....	23
13.3 Removing the fittings.....	24
<b>14 Troubleshooting</b> .....	<b>25</b>
14.1 Power failure.....	28
<b>15 Storage and disposal</b> .....	<b>28</b>
15.1 Taking the appliance out of operation .....	28
15.2 Disposing of old appliance ...	28
<b>16 Customer Service</b> .....	<b>29</b>
16.1 Product number (E-Nr.) and production number (FD).....	29
<b>17 Technical data</b> .....	<b>29</b>



# 1 Safety

Observe the following safety instructions.

## 1.1 General information

- Read this instruction manual carefully.
- Keep the instruction manual and the product information safe for future reference or for the next owner.
- Do not connect the appliance if it has been damaged in transit.

## 1.2 Intended use

Only use this appliance:

- for chilling and freezing food and for making ice cubes.
- in private households and in enclosed spaces in a domestic environment.
- Up to an altitude of 2000 m above sea level.

## 1.3 Restriction on user group

This appliance may be used by children aged 8 or over and by people who have reduced physical, sensory or mental abilities or inadequate experience and/or knowledge, provided that they are supervised or have been instructed on how to use the appliance safely and have understood the resulting dangers.

Do not let children play with the appliance.

Cleaning and user maintenance must not be performed by children unless they are being supervised.

## 1.4 Safe transport

### **WARNING – Risk of injury!**

The high weight of the appliance may result in injury when lifted.

- ▶ Do not lift the appliance on your own.

## 1.5 Safe installation

### **⚠ WARNING – Risk of electric shock!**

Incorrect installation is dangerous.

- ▶ Connect and operate the appliance only in accordance with the specifications on the rating plate.
- ▶ Connect the appliance to a power supply with alternating current only via a properly installed socket with earthing.
- ▶ The protective conductor system of the domestic electrical installation must be properly installed.
- ▶ Never equip the appliance with an external switching device, e.g. a timer or remote control.
- ▶ When the appliance is installed, the mains plug of the power cord must be freely accessible. If free access is not possible, an isolating switch must be integrated into the permanent electrical installation according to the installation regulations.
- ▶ When installing the appliance, check that the power cable is not trapped or damaged.

If the insulation of the power cord is damaged, this is dangerous.

- ▶ Never let the power cord come into contact with heat sources.

### **⚠ WARNING – Risk of explosion!**

If the appliance's ventilation openings are closed off, a leak in the refrigeration circuit may result in a flammable mixture of gas and air.

- ▶ Keep ventilation openings in the appliance casing or in the integrated casing clear of obstruction.

### **⚠ WARNING – Risk of fire!**

It is dangerous to use an extended power cord and non-approved adapters.

- ▶ Do not use extension cables or multiple socket strips.
- ▶ Only use adapters and power cords approved by the manufacturer.
- ▶ If the power cord is too short and a longer one is not available, please contact an electrician to have the domestic installation adapted.



Portable multiple socket strips or portable power supply units may overheat and cause a fire.

- ▶ Do not place portable multiple socket strips or power supply units on the back of the appliance.

## 1.6 Safe use

### **WARNING – Risk of electric shock!**

An ingress of moisture can cause an electric shock.

- ▶ Only use the appliance in enclosed spaces.
- ▶ Never expose the appliance to intense heat or humidity.
- ▶ Do not use steam- or high-pressure cleaners to clean the appliance.

### **WARNING – Risk of suffocation!**

Children may put packaging material over their heads or wrap themselves up in it and suffocate.

- ▶ Keep packaging material away from children.
  - ▶ Do not let children play with packaging material.
- Children may breathe in or swallow small parts, causing them to suffocate.
- ▶ Keep small parts away from children.
  - ▶ Do not let children play with small parts.

### **WARNING – Risk of explosion!**

If the cooling circuit is damaged, flammable refrigerant may escape and explode.

- ▶ To accelerate the defrosting process, do not use any other mechanical devices or means other than those recommended by the manufacturer.
- ▶ If food is stuck to the freezer compartment, loosen it with a blunt implement such as the handle of a wooden spoon.

Products which contain flammable propellants and explosive substances may explode, e.g. spray cans.

- ▶ Do not store products which contain flammable propellants (e.g. spray cans) or explosive substances in the appliance.

**⚠ WARNING – Risk of fire!**

Electrical devices within the appliance may cause a fire, e.g. heaters or electric ice makers.

- ▶ Do not operate electrical devices within the appliance.

**⚠ WARNING – Risk of injury!**

Containers that contain carbonated drinks may burst.

- ▶ Do not store containers that contain carbonated drinks in the freezer compartment.

Injury to the eyes caused by escaping flammable refrigerant and hazardous gases.

- ▶ Do not damage the tubes of the refrigerant circuit or the insulation.

The appliance may tip.

- ▶ Do not stand or support yourself on the base, runners or doors.

**⚠ WARNING – Risk of burns!**

Individual parts on the back of the appliance become hot during operation.

- ▶ Never touch these hot parts.

**⚠ WARNING – Risk of cold burns!**

Contact with frozen food and cold surfaces may cause burns by refrigeration.

- ▶ Never put frozen food straight from the freezer compartment into your mouth.
- ▶ Avoid prolonged contact of the skin with frozen food, ice and surfaces in the freezer compartment.

**⚠ CAUTION – Risk of harm to health!**

To prevent food from being contaminated, you must observe the following instructions.

- ▶ If the door is open for an extended period of time, this may lead to a considerable temperature increase in the compartments of the appliance.
- ▶ Regularly clean the surfaces that may come into contact with food and accessible drain systems.

- ▶ Store raw meat and fish in suitable containers in the refrigerator so that they do not touch or drip on other food.
- ▶ If the fridge/freezer is empty for an extended period of time, switch off the appliance, defrost it, clean it and leave the door open to prevent the formation of mould.

Metal or metal-style parts in the appliance may contain aluminium. If acidic food comes into contact with aluminium in the appliance, aluminium foil ions may pass into the food.

- ▶ Do not consume soiled food.

## 1.7 Damaged appliance

### **WARNING – Risk of electric shock!**

If the appliance or the power cord is damaged, this is dangerous.

- ▶ Never operate a damaged appliance.
- ▶ Never pull on the power cord to unplug the appliance. Always unplug the appliance at the mains.
- ▶ If the appliance or the power cord is damaged, immediately unplug the power cord or switch off the fuse in the fuse box.
- ▶ Call customer services. → *Page 29*

Improper repairs are dangerous.

- ▶ Repairs to the appliance should only be carried out by trained specialist staff.
- ▶ Only use genuine spare parts when repairing the appliance.
- ▶ If the power cord of this appliance is damaged, it must be replaced by the manufacturer, the manufacturer's Customer Service or a similarly qualified person in order to prevent any risk.

### **WARNING – Risk of fire!**



If the tubes are damaged, flammable refrigerant and harmful gases may escape and ignite.

- ▶ Keep naked flames and ignition sources away from the appliance.
- ▶ Ventilate the room.
- ▶ Switch off the appliance. → *Page 18*

**en** Safety

- ▶ Unplug the mains plug from the mains or switch off the circuit breaker in the fuse box.
- ▶ Call customer service. → *Page 29*

## 2 Preventing material damage

### ATTENTION!

If not rolling freely, the appliance's castors may damage the floor when the appliance is moved.

- ▶ Transport the appliance using a sack truck.
- ▶ Use floor protection when moving the appliance, and do not move it in a zigzag fashion.

Using the appliance, base, runners or doors as a seat or climbing surface may damage the appliance.

- ▶ Do not stand or lean on the appliance, base, runners or doors.

Contamination with oil or fat may cause plastic parts and door seals to become porous.

- ▶ Keep plastic parts and door seals free of oil and grease.

Metal or metal-style parts in the appliance may contain aluminium. When aluminium comes into contact with acidic foods, it corrodes and discolours.

- ▶ Only store packaged food in the appliance.

If you clean fittings and accessories in the dishwasher, this may cause them to become deformed or discoloured.

- ▶ Never clean fittings and accessory in the dishwasher.

## 3 Environmental protection and saving energy

### 3.1 Disposing of packaging

The packaging materials are environmentally compatible and can be recycled.

- ▶ Sort the individual components by type and dispose of them separately.

### 3.2 Saving energy

If you follow these instructions, your appliance will use less power.

#### Selecting the installation location

- Keep the appliance out of direct sunlight.
- Install the appliance as far away as possible from heating elements, cookers and other heat sources:
  - Maintain a 30 mm clearance to electric or gas cookers.
  - Maintain a 300 mm clearance to oil or solid-fuel cookers.
- Make sure there is a small gap between the side wall and the appliance.
- Never cover or block the external ventilation openings.

#### Saving energy during use

**Note:** The arrangement of the fittings does not affect the energy consumption of the appliance.

- Open the appliance only briefly and then close it carefully.
- Never cover or block the interior ventilation openings or the exterior ventilation openings.
- Transport purchased food in a cool bag and place in the appliance quickly.

**en** Installation and connection

- Allow warm food and drinks to cool down before storing them.
- Thaw frozen food in the refrigerator compartment to utilise the low temperature of the food.
- Always leave some space between the food and to the back panel.

---

## 4 Installation and connection

### 4.1 Scope of delivery

After unpacking all parts, check for any transport damage and for completeness of delivery.

If you have any complaints, contact your dealer or our after-sales service → Page 29.

The delivery consists of the following:

- Free-standing appliance
- Equipment and accessories<sup>1</sup>
- Installation material
- Installation instructions
- User manual
- Customer service directory
- Warranty enclosure<sup>2</sup>
- Energy label
- Information on energy consumption and noises

### 4.2 Criteria for the installation location

**⚠ WARNING**  
**Risk of explosion!**

If the appliance is in a space that is too small, a leak in the refrigeration circuit may result in a flammable mixture of gas and air.

- ▶ Only install the appliance in a space with a volume of at least 1 m<sup>3</sup> per 8 g refrigerant. The volume of refrigerant is indicated on the rating plate. → Fig. **1**/**6**

The weight of the appliance ex works may be up to 75 kg depending on the model.

The subfloor must be sufficiently stable to bear the weight of the appliance.

#### Permitted room temperature

The permitted room temperature depends on the appliance's climate class.

The climate class can be found on the rating plate. → Fig. **1**/**6**

Climate class	Permitted room temperature
SN	10 °C to 32 °C
N	16 °C to 32 °C
ST	16 °C to 38 °C
T	16 °C to 43 °C

The appliance is fully functional within the permitted room temperature.

If an appliance with climate class SN is operated at colder room temperatures, the appliance will not be damaged up to a room temperature of 5 °C.

---

<sup>1</sup> Depending on the appliance specifications

<sup>2</sup> Not in all countries

## Over-and-under and side-by-side installation

If you want to install 2 refrigerating appliances one over the other or side by side, you must maintain a clearance of at least 150 mm between the appliances. Selected appliances can be installed without a minimum clearance. Ask your dealer or kitchen planner about this.

### 4.3 Installing the appliance

- ▶ Install the appliance in accordance with the enclosed installation instructions.

### 4.4 Preparing the appliance for the first time

1. Remove the informative material.
2. Remove the protective foil and transit bolts, e.g. remove the adhesive strips and carton.
3. Clean the appliance for the first time. → Page 23

### 4.5 Connecting the appliance to the electricity supply

1. Insert the mains plug of the appliance's power cable in a socket nearby.

The connection data of the appliance can be found on the rating plate. → Fig. **1**/**6**

2. Check the mains plug is inserted properly.
- ✓ The appliance is now ready for use.

## 5 Familiarising yourself with your appliance

### 5.1 Appliance

You can find an overview of the parts of your appliance here.

→ Fig. **1**

<b>A</b>	Refrigerator compartment → Page 20
<b>B</b>	Freezer compartment → Page 21
<b>1</b>	Control panel → Page 16
<b>2</b>	Lighting
<b>3</b>	Bottle shelf → Page 16
<b>4</b>	Interior ventilation opening
<b>5</b>	Temperature controller (storage container) → Page 18
<b>6</b>	Rating plate → Page 29
<b>7</b>	Storage container → Page 16
<b>8</b>	Fruit and vegetable container with humidity control → Page 16
<b>9</b>	Frozen food container → Page 24
<b>10</b>	Screw foot
<b>11</b>	Door storage compartment for large bottles → Page 17

**Note:** Deviations between your appliance and the diagrams may differ with regard to their features and size.

## 5.2 Control panel

You can use the control panel to configure all functions of your appliance and to obtain information about the operating status.

→ Fig. 2

- 
- 1 alarm lights up when the alarm is switched on.

---

  - 2 The temperature setting button (refrigerator compartment) sets the temperature of the refrigerator compartment.

---

  - 3 super (Refrigerator compartment) lights up when Super cooling is switched on.

---

  - 4 Displays the set temperature for the refrigerator compartment in °C.

---

  - 5 eco (Refrigerator compartment) lights up when the energy-saving mode in the refrigerator compartment is switched on.

---

  - 6 The temperature setting button (freezer compartment) sets the temperature of the freezer compartment.

---

  - 7 super (Freezer compartment) lights up when Super freezing is switched on.

---

  - 8 Displays the set temperature for the freezer compartment in °C.

---

  - 9 eco (Freezer compartment) lights up when the energy-saving mode in the freezer compartment is switched on.
- 

---

## 6 Features

The features of your appliance depend on the model.

### 6.1 Shelf

In order to achieve an improved overview and to remove food more quickly, pull out the shelf.

To vary the shelf as required, you can remove the shelf and re-insert it elsewhere.

→ "Removing the shelf", Page 24

### 6.2 Bottle shelf

Store bottles securely on the bottle shelf.

To vary the bottle shelf as required, you can remove the bottle shelf and re-insert it elsewhere.

→ "Removing the shelf", Page 24

### 6.3 Storage container

The temperatures in the storage container are lower than in the refrigerator compartment. Temperatures below 0 °C may occur occasionally.

In order to reach temperatures close to 0 °C in the storage container, set the refrigerator compartment temperature to 2 °C. → Page 18

Use the lower temperatures in the storage container to store highly perishable food, e.g. fish, meat and sausages.

### 6.4 Fruit and vegetable container with humidity control

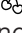

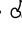
Store fresh fruit and vegetables loose in the fruit and vegetable container. Cover any chopped fruit and vegetables, or store in air-tight packaging.



You can adjust the humidity in the fruit and vegetable container using the humidity controller. This allows fresh fruit and vegetables to be stored for longer than with conventional storage.

→ Fig. **3**

The air humidity in the fruit and vegetable container can be set according to the type and amount of food to be stored by moving the humidity controller:

- Low humidity  required when primarily storing fruit or mixed items, or if the appliance is very full.
- High humidity   required when primarily storing vegetables or when the appliance is not very full.

Condensation may form in the fruit and vegetable container depending on the food and quantity stored. Remove the condensation with a dry cloth and adjust the air humidity to a lower setting using the humidity controller.

To ensure that the quality and aroma are retained, store fruit and vegetables that are sensitive to cold outside of the appliance at temperatures of approx. 8 °C to 12 °C, e.g. pineapple, bananas, citrus fruits, cucumbers, courgettes, peppers, tomatoes and potatoes.

## 6.5 Door rack

To adjust the door rack as required, you can remove the door rack and re-insert elsewhere.

→ "Removing door rack", Page 24

## 6.6 Accessories

Use original accessories. These have been made especially for your appliance.

The accessories for your appliance depend on the model.

### Egg tray

Store eggs safely on the egg tray.

### Ice cube tray

Use the ice cube tray to make ice cubes.

### Making ice cubes

Use only drinking water to make ice cubes.

1. Fill the ice cube tray with drinking water up to  $\frac{3}{4}$  and place in the freezer compartment.  
If the ice cube tray is stuck to the freezer compartment, loosen it with a blunt implement such as the handle of a wooden spoon.
2. To loosen the ice cubes, twist the ice cube tray slightly or hold it briefly under flowing water.

---

## 7 Basic operation

### 7.1 Switching on the appliance

1. Electrically connect the appliance.  
→ Page 15
- ✓ The appliance begins to cool.

## en Basic operation

- ✓ A warning tone sounds and "alarm" flashes because the freezer compartment is still too warm.
- 2. Switch off the warning tone using the temperature setting button (freezer compartment).
- ✓ "alarm" goes out as soon as the set temperature has been reached.
- 3. Set the required temperature.  
→ *Page 18*

## 7.2 Operating tips

- Once you have switched on the appliance, the set temperature is only reached after several hours. Do not put any food in the appliance until the set temperature has been reached.
- The front panels of the housing are temporarily heated slightly. This prevents condensation in the area of the door seal.
- When you close the door, a vacuum may be created. The door is then difficult to open again. Wait a moment until the vacuum is offset.
- The temperature in the appliance varies due to the following conditions:
  - How often the appliance is opened
  - Load capacity
  - Temperature of newly stored food
  - Ambient temperature
  - Direct sunlight

## 7.3 Switching off the appliance

- ▶ Disconnect the appliance from the power supply. Unplug the appliance from the mains or switch off the circuit breaker in the fuse box.

## 7.4 Setting the temperature

### Setting the refrigerator compartment temperature

- ▶ Press the temperature setting button (refrigerator compartment) repeatedly until the temperature display (refrigerator compartment) shows the required temperature setting.

To reach the set temperature, slide the temperature controller for the storage container to a position that is one third from the bottom.

→ *Page 18*

The recommended temperature in the refrigerator compartment is 4 °C.

### Setting the storage container temperature

1. To reduce the temperature, slide the temperature controller in the **extra cold** direction.
2. To increase the temperature, slide the temperature controller in the **cold** direction.

→ *Fig. 4*

### Setting the freezer compartment temperature

- ▶ Press the temperature setting button (freezer compartment) repeatedly until the temperature display (freezer compartment) shows the required temperature setting.

The recommended temperature in the freezer compartment is -18 °C.

## 8 Additional functions

Find out which additional functions can be used for your appliance.

### 8.1 Super cooling

With Super cooling, the refrigerator compartment cools as cold as possible.

Switch on Super cooling before placing large quantities of food in the refrigerator compartment.

**Note:** When Super cooling is switched on, increased noise may occur.

#### Switching on Super cooling

- ▶ Press the temperature setting button (refrigerator compartment) repeatedly until "super" (Refrigerator compartment) lights up.

**Note:** After approx. 6 hours, the appliance switches to normal operation.

#### Switching off Super cooling

- ▶ Press the temperature setting button (refrigerator compartment) repeatedly until the temperature display (refrigerator compartment) shows the required temperature setting.

### 8.2 Super freezing

With Super freezing, the freezer compartment cools as cold as possible.

Switch on Super freezing four to six hours before placing food weighing 2 kg or more into the freezer compartment.

In order to utilise the freezer capacity, use Super freezing.

→ "Prerequisites for freezing capacity", Page 21

**Note:** When Super freezing is switched on, increased noise may occur.

#### Switching on Super freezing

- ▶ Press the temperature setting button (freezer compartment) repeatedly until "super" (Freezer compartment) lights up.

**Note:** After approx. 60 hours, the appliance switches to normal operation.

#### Switching off Super freezing

- ▶ Press the temperature setting button (freezer compartment) repeatedly until the temperature display (freezer compartment) shows the required temperature setting.

### 8.3 Energy-saving mode

You can set the appliance to save energy with the energy-saving mode. The appliance automatically sets the temperatures.

Refrigerator compartment	8 °C
Freezer compartment	-16 °C

#### Switching on energy-saving mode

- ▶ Press the temperature setting button repeatedly until "eco" lights up.

#### Switching off energy-saving mode

- ▶ Press the temperature setting button repeatedly until the temperature display shows the required temperature.

---

## 9 Alarm

### 9.1 Door alarm

If the appliance door is open for a while, the door alarm switches on. A warning tone sounds and "alarm" lights up.

#### Switching off the door alarm

- ▶ Close the appliance door.
- ✓ The warning tone is switched off.

### 9.2 Temperature alarm

If the freezer compartment becomes too warm, the temperature alarm is switched on. A warning tone sounds and "alarm" flashes.

#### CAUTION

##### **Risk of harm to health!**

During the thawing process, bacteria may multiply and spoil the frozen food.

- ▶ Do not refreeze food after it has been defrosted or started to defrost.
- ▶ Refreeze food only after cooking.
- ▶ These items should no longer be stored for the maximum storage period.

The temperature alarm can be switched on in the following cases:

- The appliance is switched on.  
Do not store any food until the appliance has reached the set temperature.
- Large quantities of fresh food are being placed inside.  
Switch on Super freezing before placing large quantities of food in the appliance.
- The freezer compartment door is open for too long.

Check whether the frozen food has defrosted or thawed.

#### Switching off the temperature alarm

- ▶ Press the temperature setting button (freezer compartment).
- ✓ The warning tone is switched off.

---

## 10 Refrigerator compartment

You can keep meat, sausage, fish, dairy products, eggs, prepared meals and pastries in the refrigerator compartment.

The temperature can be set from 2 °C to 8 °C.

The refrigerator compartment can also be used to store highly perishable foods in the short to medium term. The lower the selected temperature, the longer the food remains fresh.

### 10.1 Tips for storing food in the refrigerator compartment

- Only store food when fresh and undamaged.
- Store food covered or in air-tight packaging.
- To avoid impeding the circulation of air and to prevent food from freezing, do not place food in front of the inner ventilation openings or in direct contact with the back wall.
- Allow hot food and drinks to cool down first before placing in the appliance.
- Observe the best-before date or use-by date specified by the manufacturer.

## 10.2 Chill zones in the refrigerator compartment

The air circulation in the refrigerator compartment creates different chill zones.

### Coldest zone

The coldest zone is in the storage container.

**Tip:** Store highly perishable food such as fish, sausages and meat in the coldest zone.

### Warmest zone

The warmest zone is at the very top of the door.

**Tip:** Store food that does not spoil easily in the warmest zone, e.g. hard cheese and butter. Cheese can then continue to release its aroma and the butter will still be easy to spread.

---

## 11 Freezer compartment

You can store frozen food, freeze food and make ice cubes in the freezer compartment.

The temperature can be set from  $-16\text{ }^{\circ}\text{C}$  to  $-24\text{ }^{\circ}\text{C}$ .

Long-term storage of food should be at  $-18\text{ }^{\circ}\text{C}$  or lower.

The freezer compartment can be used to store perishable food long-term. The low temperatures slow down or stop the spoilage.

### 11.1 Freezing capacity

The freezing capacity indicates the quantity of food that can be frozen right through to the centre within a specific period of time. Information on freezing capacity can be found on the rating plate.

→ Fig. **1** / **6**

### Prerequisites for freezing capacity

1. Approx. 24 hours before placing fresh food in the appliance, switch on Super freezing.  
→ "Switching on Super freezing", Page 19
2. Place food in the bottom frozen food container first.

### 11.2 Fully utilising the freezer compartment volume

Learn how to store the maximum amount of frozen food in the freezer compartment.

1. Remove all fittings from the freezer compartment. → Page 24
2. Store food directly on the shelves and on the floor of the freezer compartment.

### 11.3 Tips for storing food in the freezer compartment

- Store food in air-tight packaging.
- Do not bring food which is to be frozen into contact with frozen food.
- Place the food over the whole area of the frozen food containers.
- To ensure that the air can circulate freely in the appliance, push the frozen food containers in as far as they will go.

### 11.4 Tips for freezing fresh food

- Freeze fresh and undamaged food only.
- Freeze food in portions.
- Cooked food is more suitable than food that can be eaten raw.
- Vegetables: Wash, chop up and blanch before freezing.

## en Freezer compartment

- Fruit: Wash, pit and perhaps peel, possibly add sugar or ascorbic acid solution.
- Food that is suitable for freezing includes baked items, fish and seafood, meat, game, poultry, eggs without shells, cheese, butter and quark, ready meals and leftovers.
- Food that is unsuitable for freezing includes lettuce, radishes, eggs in shells, grapes, raw apples and pears, yoghurt, sour cream, crème fraîche and mayonnaise.

### Packing frozen food

If you select suitable packaging material and the correct type of packaging, you can determine the product quality and prevent freezer burn.

1. Place the food in the packaging.
2. Squeeze out the air.
3. Pack food airtight to prevent it from losing flavour and drying out.
4. Label the packaging with the contents and the date of freezing.

### 11.5 Shelf life of frozen food at $-18\text{ }^{\circ}\text{C}$

Food	Storage time
Fish, sausages, prepared meals and baked goods	up to 6 months
Poultry, meat	up to 8 months
Vegetables, fruit	up to 12 months

The imprinted freezer calendar indicates the maximum storage duration in months at a constant temperature of  $-18\text{ }^{\circ}\text{C}$ .

### 11.6 Defrosting methods for frozen food

#### CAUTION

##### Risk of harm to health!

During the thawing process, bacteria may multiply and spoil the frozen food.

- ▶ Do not refreeze food after it has been defrosted or started to defrost.
- ▶ Refreeze food only after cooking.
- ▶ These items should no longer be stored for the maximum storage period.
- Defrost animal-based food, such as fish, meat, cheese, quark, in the refrigerator compartment.
- Defrost bread at room temperature.
- Prepare food for immediate consumption in the microwave, in the oven, or on the hob.

---

## 12 Defrosting

### 12.1 Defrosting in the refrigerator compartment

The refrigerator compartment in your appliance defrosts automatically.

### 12.2 Defrosting in the freezer compartment

The fully automatic NoFrost system ensures that the freezer compartment remains frost-free. Defrosting is not required.

---

## 13 Cleaning and servicing

To keep your appliance working efficiently for a long time, it is important to clean and maintain it carefully. Customer Service must clean inaccessible points. Cleaning by customer service can give rise to costs.

### 13.1 Preparing the appliance for cleaning

1. Disconnect the appliance from the power supply.  
Unplug the appliance from the mains or switch off the circuit breaker in the fuse box.
2. Take out all of the food and store it in a cool place.  
Place ice packs (if available) onto the food.
3. Remove all fittings and accessories from the appliance.  
→ *Page 24*

### 13.2 Cleaning the appliance

#### **WARNING**

#### **Risk of electric shock!**

An ingress of moisture can cause an electric shock.

- ▶ Do not use steam- or high-pressure cleaners to clean the appliance.

Liquid in the lighting, controls or inner ventilation openings can be dangerous.

- ▶ The rinsing water must not drip into the lighting, controls or inner ventilation openings.

#### **ATTENTION!**

Unsuitable cleaning products may damage the surfaces of the appliance.

- ▶ Do not use hard scouring pads or cleaning sponges.
- ▶ Do not use harsh or abrasive detergents.
- ▶ Do not use cleaning products with a high alcohol content.

If you clean fittings and accessories in the dishwasher, this may cause them to become deformed or discoloured.

- ▶ Never clean fittings and accessory in the dishwasher.

1. Prepare the appliance for cleaning.  
→ *Page 23*
2. Clean the appliance, the fittings, the accessories and the door seals with a dish cloth, lukewarm water and a little pH-neutral washing-up liquid.
3. Dry thoroughly with a soft, dry cloth.
4. Insert the fittings.
5. Electrically connect the appliance.  
→ *Page 15*
6. Putting the food into the appliance.

## 13.3 Removing the fittings

If you want to clean the fittings thoroughly, remove these from your appliance.

### Removing the shelf

- ▶ Pull out, lift and remove the shelf.  
→ Fig. 5

### Removing door rack

- ▶ Lift the door rack and remove it.  
→ Fig. 6

### Removing the storage container

1. Pull out the storage container as far as it will go.
2. Lift the storage container at the front ① and remove it ②.  
→ Fig. 7

### Removing the fruit and vegetable container

1. Pull out the fruit and vegetable container as far as it will go.
2. Lift the fruit and vegetable container at the front ① and remove it ②.  
→ Fig. 8

### Removing the frozen food container

1. Take out the frozen food container as far as it will go.
2. Lift the frozen food container at the front ① and remove it ②.  
→ Fig. 9

### Removing the front of the container

You can remove the front of the fruit and vegetable container to facilitate cleaning.

- ▶ Press in the snap-in hooks on the side of the container ① and remove the front from the container in a turning motion ②.  
→ Fig. 10



## 14 Troubleshooting

You can rectify minor faults on your appliance yourself. Read the troubleshooting information before contacting after-sales service. This will avoid unnecessary costs.



### WARNING

#### Risk of electric shock!

Improper repairs are dangerous.

- ▶ Repairs to the appliance should only be carried out by trained specialist staff.
- ▶ Only use genuine spare parts when repairing the appliance.
- ▶ If the power cord of this appliance is damaged, it must be replaced by the manufacturer, the manufacturer's Customer Service or a similarly qualified person in order to prevent any risk.

Fault	Cause and troubleshooting
The appliance is not cooling, the displays and lighting are lit.	Showroom mode is switched on. ▶ Press and hold the temperature setting button (refrigerator compartment) for 9 to 11 seconds until an audible signal sounds.
The LED lighting does not work.	Different causes are possible. ▶ Call customer service. The customer service number can be found in the enclosed customer service directory.
Side panels of the appliance are warm.	Not a fault. The side panels contain pipes which heat up during the cooling process. Units touching the appliance will not be damaged by the heat. No action required.
A warning signal sounds and "alarm" flashes.	Different causes are possible. ▶ Press the temperature setting button (freezer compartment). ✓ The alarm is switched off. The appliance door is open. ▶ Close the appliance door. External ventilation openings are covered up. ▶ Remove any obstructions from in front of the external ventilation openings. Larger quantities of fresh food have been put in. ▶ Do not exceed the max. freezing capacity. → "Freezing capacity", Page 21

Fault	Cause and troubleshooting
<p>The set temperature is not reached.</p> <p>Fully automatic defrosting no longer works.</p>	<p>The freezer compartment door was open for a long time. The evaporator (refrigeration unit) in the noFrost system is heavily iced up.</p> <p><b>Requirement:</b> Store the frozen food well insulated in a cool place.</p> <ol style="list-style-type: none"> <li>1. Switch off the appliance. → <i>Page 18</i></li> <li>2. Disconnect the appliance from the mains. Unplug the appliance from the mains or switch off the circuit breaker in the fuse box.</li> <li>3. Move the appliance away from the wall.</li> <li>4. Leave the appliance door open.</li> </ol> <p>✓ After approx. 20 minutes, the condensation starts to run into the evaporation pan at the rear of the appliance. → <i>Fig. 11</i></p> <ol style="list-style-type: none"> <li>5. To prevent the evaporation pan from overflowing, mop up the condensation water with a sponge. The evaporator is defrosted if no more condensation water runs into the evaporation pan.</li> <li>6. Clean the interior of the appliance. → <i>Page 23</i></li> <li>7. Switch the appliance back on. → <i>Page 17</i></li> </ol>
<p>The temperature differs greatly from the setting.</p>	<p>Different causes are possible.</p> <ol style="list-style-type: none"> <li>1. Switch off the appliance. → <i>Page 18</i></li> <li>2. Switch the appliance back on after five minutes. → <i>Page 17</i> <ul style="list-style-type: none"> <li>– If the temperature is too warm, check the temperature again after a couple of hours.</li> <li>– If the temperature is too cold, check the temperature again on the following day.</li> </ul> </li> </ol>
<p>Condensation accumulates on the surface of the appliance and on the shelves inside.</p>	<p>The water contained in warm and humid air condenses on the colder surfaces of the appliance.</p> <ol style="list-style-type: none"> <li>1. Wipe away the water with a soft, dry cloth.</li> <li>2. Open the appliance as briefly as possible.</li> <li>3. Ensure that the appliance is always closed properly.</li> </ol>
<p>The appliance hums, bubbles, buzzes, gargles, clicks or crackles.</p>	<p>Not a fault. A motor is running, e.g. refrigerating unit, fan. Refrigerant flows through the pipes. The motor, switches or solenoid valves are switching on or off. Automatic defrosting is running. No action required.</p>

<b>Fault</b>	<b>Cause and troubleshooting</b>
The appliance makes noises.	The appliance is not level. <ul style="list-style-type: none"><li>▶ Align the appliance using a spirit level and the screw feet.</li></ul>
	The appliance is not free-standing. <ul style="list-style-type: none"><li>▶ Observe the minimum clearances for the appliance.</li></ul>
	Fittings wobble or stick. <ul style="list-style-type: none"><li>▶ Check the removable fittings and, if required, replace these.</li></ul>
	Bottles or containers are touching. <ul style="list-style-type: none"><li>▶ Move the bottles or containers away from each other.</li></ul>
	Super freezing is switched on. No action required.

## 14.1 Power failure

During a power failure, the temperature in the appliance rises; this reduces the storage time and the quality of the frozen food.

On the website for your appliance, the technical data provides you with the storage times for frozen food in the event of a fault.

### Notes

- Open the appliance as little as possible during a power failure and do not place any other food in the appliance.
- Check the quality of the food immediately after a power failure.
  - Dispose of any frozen food that has defrosted and is hotter than 5 °C.
  - Cook or fry slightly thawed frozen food, and then either consume it or freeze it again.

---

## 15 Storage and disposal

### 15.1 Taking the appliance out of operation

1. Disconnect the appliance from the power supply.

Unplug the appliance from the mains or switch off the circuit breaker in the fuse box.

2. Remove all of the food.
3. Clean the appliance. → *Page 23*
4. To guarantee the ventilation inside the appliance, leave the appliance open.

### 15.2 Disposing of old appliance

Valuable raw materials can be re-used by recycling.

#### **WARNING** **Risk of harm to health!**

Children can lock themselves in the appliance, thereby putting their lives at risk.

- ▶ Leave shelves and containers inside the appliance to prevent children from climbing in.
- ▶ Keep children away from the redundant appliance.

#### **WARNING** **Risk of fire!**

If the tubes are damaged, flammable refrigerant and harmful gases may escape and ignite.

- ▶ Do not damage the tubes of the refrigerant circuit or the insulation.

1. Unplug the appliance from the mains.
2. Cut through the power cord.
3. Dispose of the appliance in an environmentally friendly manner.

Information about current disposal methods are available from your specialist dealer or local authority.



This appliance is labelled in accordance with European Directive 2012/19/EU concerning used electrical and electronic appliances (waste electrical and electronic equipment - WEEE). The guideline determines the framework for the return and recycling of used appliances as applicable throughout the EU.

---

## 16 Customer Service

Detailed information on the warranty period and terms of warranty in your country is available from our after-sales service, your retailer or on our website.

If you contact Customer Service, you will require the product number (E-Nr.) and the production number (FD) of your appliance.

The contact details for Customer Service can be found in the enclosed Customer Service directory or on our website.

### 16.1 Product number (E-Nr.) and production number (FD)

You can find the product number (E-Nr.) and the production number (FD) on the appliance's rating plate.

→ Fig. **1** / **6**

Make a note of your appliance's details and the Customer Service telephone number to find them again quickly.

---

## 17 Technical data

Refrigerant, cubic capacity and further technical specifications can be found on the rating plate.

→ Fig. **1** / **6**

Для получения дополнительной информации см.  
Цифровое руководство пользователя.



## Содержание

<b>1 Безопасность.....</b>	<b>32</b>	6.5 Дверная полка .....	43
1.1 Общие указания .....	32	6.6 Аксессуары.....	43
1.2 Использование по назначению....	32	<b>7 Стандартное управление.....</b>	<b>43</b>
1.3 Ограничение круга пользова- телей .....	32	7.1 Включение прибора.....	43
1.4 Безопасная транспортировка .....	33	7.2 Указания по эксплуатации.....	44
1.5 Безопасный монтаж .....	33	7.3 Выключение прибора.....	44
1.6 Безопасная эксплуатация .....	35	7.4 Установка температуры .....	44
1.7 Поврежденный прибор .....	37	<b>8 Дополнительные функции.....</b>	<b>45</b>
<b>2 Во избежание материального ущерба .....</b>	<b>39</b>	8.1 Суперохлаждение .....	45
<b>3 Защита окружающей среды и экономия .....</b>	<b>39</b>	8.2 Суперзамораживание.....	45
3.1 Утилизация упаковки.....	39	8.3 Режим экономии энергии .....	45
3.2 Как сэкономить элек- троэнергию .....	39	<b>9 Предупредительный сигнал .....</b>	<b>46</b>
<b>4 Установка и подключение.....</b>	<b>40</b>	9.1 Предупредительный сигнал при открытой дверце.....	46
4.1 Комплект поставки .....	40	9.2 Предупредительный сигнал по- вышения температуры.....	46
4.2 Критерии выбора места уста- новки .....	40	<b>10 Холодильное отделение.....</b>	<b>46</b>
4.3 Установка прибора .....	41	10.1 Рекомендации по хранению продуктов в холодильном отделении .....	47
4.4 Подготовка прибора к началу эксплуатации.....	41	10.2 Температурные зоны в холо- дильном отделении.....	47
4.5 Подключение прибора к элек- тросети .....	41	<b>11 Морозильное отделение.....</b>	<b>47</b>
<b>5 Знакомство с прибором.....</b>	<b>41</b>	11.1 Производительность замора- живания.....	47
5.1 Прибор .....	41	11.2 Размещение продуктов по всей площади морозильного отделения .....	48
5.2 Панель управления.....	42	11.3 Рекомендации по хранению продуктов в морозильном отделении .....	48
<b>6 Элементы оснащения.....</b>	<b>42</b>	11.4 Рекомендации по заморажи- ванию свежих продуктов .....	48
6.1 Полка .....	42		
6.2 Полка для хранения бутылок .....	42		
6.3 Контейнер для хранения .....	42		
6.4 Бокс для овощей и фруктов с регулятором влажности .....	43		

11.5	Срок хранения замороженных продуктов при $-18^{\circ}\text{C}$ .....	48
11.6	Способы размораживания замороженных продуктов .....	49
<b>12</b>	<b>Размораживание .....</b>	<b>49</b>
12.1	Размораживание холодильного отделения .....	49
12.2	Размораживание в морозильном отделении.....	49
<b>13</b>	<b>Очистка и уход .....</b>	<b>49</b>
13.1	Подготовка прибора к очистке .....	49
13.2	Очистка прибора .....	50
13.3	Извлечение элементов оснащения .....	50
<b>14</b>	<b>Устранение неисправностей ....</b>	<b>52</b>
14.1	Отключение электроэнергии .....	55
<b>15</b>	<b>Хранение и утилизация.....</b>	<b>55</b>
15.1	Вывод прибора из эксплуатации .....	55
15.2	Утилизация старого бытового прибора .....	55
<b>16</b>	<b>Сервисная служба.....</b>	<b>56</b>
16.1	Номер изделия (E-Nr.) и заводской номер (FD).....	56
<b>17</b>	<b>Технические характеристики ...</b>	<b>56</b>



## 1 Безопасность

Соблюдайте следующие указания по технике безопасности.

### 1.1 Общие указания

- Внимательно прочитайте данное руководство.
- Сохраните инструкцию и информацию о приборе для дальнейшего использования или для передачи следующему владельцу.
- В случае обнаружения повреждений, связанных с транспортировкой, не подключайте прибор.

### 1.2 Использование по назначению

Используйте прибор только:

- для охлаждения и заморозки продуктов, а также приготовления кубиков льда.
- в бытовых условиях и в закрытых помещениях домашних хозяйств.
- на высоте не более 2000 м над уровнем моря.

### 1.3 Ограничение круга пользователей

Данный прибор может использоваться детьми в возрасте от 8 лет и старше, а также лицами с ограниченными физическими, сенсорными или умственными способностями или с недостатком опыта и/или знаний, если они находятся под присмотром или после получения указаний по безопасному использованию прибора и после того, как они осознали опасности, связанные с неправильным использованием.

Детям запрещено играть с прибором.

Очистку и обслуживание прибора запрещается выполнять детям без надзора взрослых.



## 1.4 Безопасная транспортировка

### **⚠ ПРЕДУПРЕЖДЕНИЕ – Опасность травмирования!**

Вследствие большого веса прибора при его подъеме возможны травмы.

- ▶ Не поднимайте прибор в одиночку.

## 1.5 Безопасный монтаж

### **⚠ ПРЕДУПРЕЖДЕНИЕ – Опасность поражения электрическим током!**

При неквалифицированном монтаже прибор может стать источником опасности.

- ▶ При подключении прибора и его эксплуатации соблюдайте данные, приведенные на фирменной табличке.
- ▶ Прибор можно подключать только к электросети переменного тока через установленную согласно предписаниям розетку с заземлением.
- ▶ Система заземления в домашней электропроводке должна быть установлена согласно предписаниям.
- ▶ Запрещается оснащать прибор внешним переключателем, например, таймером или пультом дистанционного управления.
- ▶ Если прибор встроен, необходимо предусмотреть свободный доступ к вилке сетевого кабеля или, если это невозможно, установить в стационарной электропроводке специальный выключатель для размыкания согласно условиям монтажа.
- ▶ При установке прибора не допускайте зажатия или повреждения сетевого кабеля.

Поврежденная изоляция сетевого кабеля является источником опасности.

- ▶ Ни в коем случае не допускайте контакта сетевого кабеля с источниками тепла.

### **⚠ ПРЕДУПРЕЖДЕНИЕ – Опасность взрыва!**

Если вентиляционные отверстия прибора закрыты, при разгерметизации холодильного контура может образовываться горючая газозвоздушная смесь.

- ▶ Не закрывайте вентиляционные отверстия в корпусе прибора или в корпусе для встраивания.

### **⚠ ПРЕДУПРЕЖДЕНИЕ – Опасность возгорания!**

Использование удлиненного сетевого кабеля и недопустимых адаптеров опасно.

- ▶ Не используйте удлинительные кабели или многоконтактные розетки.
- ▶ Используйте только допущенные производителем адаптеры и сетевые кабели.
- ▶ Если сетевой кабель слишком короткий и более длинного нет в наличии, следует связаться со специализированной электротехнической фирмой, чтобы адаптировать домовую внутреннюю проводку.

Переносные многоконтактные розетки или переносные сетевые узлы могут перегреться и стать причиной возгорания.

- ▶ Не располагайте многоконтактные розетки или переносные сетевые узлы на задней стенке прибора.

При контакте прибора с водопроводными или газовыми коммуникациями существует риск возникновения коррозии по причине возможного наличия электрического потенциала на коммуникациях. Утечка газа из поврежденных коррозией газовых коммуникаций и вследствие этого элементов холодильного контура может привести к возгоранию.

- ▶ Обеспечьте дистанцию не менее 5 см между прибором и водопроводными и/или газовыми коммуникациями.

## 1.6 Безопасная эксплуатация

### **⚠ ПРЕДУПРЕЖДЕНИЕ – Опасность поражения электрическим током!**

Проникшая в прибор влага может стать причиной поражения током.

- ▶ Используйте прибор только в закрытом помещении.
- ▶ Не пользуйтесь прибором при слишком высокой температуре или влажности.
- ▶ Не используйте для очистки прибора пароочистители или очистители высокого давления.

### **⚠ ПРЕДУПРЕЖДЕНИЕ – Опасность удушья!**

Дети могут завернуться в упаковочный материал или надеть его себе на голову и задохнуться.

- ▶ Не подпускайте детей к упаковочному материалу.
- ▶ Не позволяйте детям играть с упаковочным материалом.

Дети могут вдохнуть или проглотить мелкие детали, в результате чего задохнуться.

- ▶ Не подпускайте детей к мелким деталям.
- ▶ Не позволяйте детям играть с мелкими деталями.

### **⚠ ПРЕДУПРЕЖДЕНИЕ – Опасность взрыва!**

Если контур хладагента поврежден, горючий хладагент может вытечь и привести к взрыву.

- ▶ Не используйте механическое оборудование или средства, кроме рекомендованных производителем, для ускорения размораживания.
- ▶ Отделяйте замороженные продукты тупым предметом, например деревянной ручкой ложки.

Продукты с горючими газами-вытеснителями и взрывоопасные вещества, например, аэрозольные баллончики, могут взорваться.

- ▶ Не храните продукты с горючими газами-вытеснителями и взрывоопасные вещества внутри прибора.

**⚠ ПРЕДУПРЕЖДЕНИЕ – Опасность возгорания!**

Использование электрических приборов внутри прибора (например, нагревателей или электрических морожениц) может привести к возгоранию.

- ▶ Не используйте электрические приборы внутри прибора.

**⚠ ПРЕДУПРЕЖДЕНИЕ – Опасность травмирования!**

Ёмкости с газированными напитками могут лопнуть.

- ▶ Не храните ёмкости с газированными напитками в морозильном отделении.

Повреждение глаз в следствие утечки горючего хладагента и вредных газов.

- ▶ Не допускайте повреждения труб контура циркуляции хладагента и изоляции.

Прибор может опрокинуться.

- ▶ Не вставляйте на цоколь, выдвижные элементы или дверцы, а также не опирайтесь на них.

**⚠ ПРЕДУПРЕЖДЕНИЕ – Опасность ожога!**

Отдельные части задней стенки прибора во время работы нагреваются.

- ▶ Не прикасайтесь к горячим частям прибора.

**⚠ ПРЕДУПРЕЖДЕНИЕ – Опасность обморожения!**

Контакт с замороженными продуктами и холодными поверхностями может привести к холодовому ожогу.

- ▶ Никогда не прикасайтесь к замороженным продуктам сразу после извлечения из морозильного отделения.
- ▶ Избегайте длительного контакта кожи с замороженными продуктами, льдом и поверхностями в морозильном отделении.

**⚠ ОСТОРОЖНО – Риск нанесения вреда здоровью!**

Чтобы избежать загрязнения пищи, следуйте указаниям, приведенным ниже.

- ▶ При открытой в течение длительного времени дверце, в отсеках прибора может значительно подняться температура.

- ▶ Периодически очищайте поверхности, которые могут соприкасаться с продуктами и выступающими частями дренажных систем.
- ▶ Храните сырое мясо и рыбу в соответствующих контейнерах в холодильнике, чтобы они не касались и не капали на другие продукты.
- ▶ Если холодильник/морозильник долгое время простаивает, выключите прибор, разморозьте, очистите и оставьте дверцу открытой, чтобы предотвратить образование плесени.

Элементы прибора, выполненные из металла или внешне похожие на металлические, могут содержать алюминий. При контакте кислотосодержащих продуктов с алюминиевыми элементами, ионы алюминия проникают в продукты.

- ▶ Не употребляйте в пищу такие продукты.

## 1.7 Поврежденный прибор

### **⚠ ПРЕДУПРЕЖДЕНИЕ – Опасность поражения электрическим током!**

Поврежденный прибор или поврежденный сетевой кабель являются источником опасности.

- ▶ Категорически запрещается эксплуатировать поврежденный прибор.
- ▶ Запрещается тянуть за сетевой кабель, чтобы отсоединить прибор от сети электропитания. Вынимайте из розетки вилку сетевого кабеля.
- ▶ В случае повреждения прибора или сетевого кабеля немедленно выньте вилку сетевого кабеля из розетки или отключите предохранитель в блоке предохранителей.
- ▶ Обратитесь в сервисную службу. → *Страница 56*

При неквалифицированном ремонте прибор может стать источником опасности.

- ▶ Ремонтировать прибор разрешается только квалифицированным специалистам.
- ▶ Для ремонта прибора можно использовать только оригинальные запчасти.

- ▶ Во избежание опасностей замена поврежденного сетевого кабеля данного прибора может быть выполнена только производителем или авторизованной им сервисной службой либо лицом, имеющим аналогичную квалификацию.

**⚠ ПРЕДУПРЕЖДЕНИЕ – Опасность возгорания!**



При поврежденных трубках горючий хладагент и вредные газы могут выйти наружу и воспламениться.

- ▶ Держите прибор вдали от огня и источников воспламенения.
- ▶ Проветрите помещение.
- ▶ Выключите прибор. → *Страница 44*
- ▶ Извлеките из розетки вилку сетевого кабеля или выключите предохранитель в блоке предохранителей.
- ▶ Обратитесь в сервисную службу. → *Страница 56*

## 2 Во избежание материального ущерба

### ВНИМАНИЕ!

При перекашивании роликов прибора при перемещении можно повредить пол.

- ▶ Перевозите прибор на тележке.
- ▶ При перемещении прибора используйте защиту для пола и не передвигайте прибор зигзагом.

Использование прибора, цоколей, выдвижных элементов и дверец в качестве опоры для сидения или лазания может привести к повреждению прибора.

- ▶ Не вставляйте на прибор, цоколь, выдвижные элементы или дверцы, а также не опирайтесь на них.

Из-за попадания масла и смазки пластмассовые детали и уплотнители дверцы могут стать пористыми.

- ▶ Не допускайте попадания масла и жира на пластмассовые детали и уплотнители дверцы.

Элементы прибора, выполненные из металла или внешне похожие на металлические, могут содержать алюминий. При контакте с продуктами, содержащими кислоту, алюминий подвергается коррозии и обесцвечивается.

- ▶ Храните продукты в приборе только в упакованном виде.

При мытье элементов оснащения и принадлежностей в посудомоечной машине, они могут деформироваться или изменить цвет.

- ▶ Не мойте детали прибора и принадлежности в посудомоечной машине.

## 3 Защита окружающей среды и экономия

### 3.1 Утилизация упаковки

Упаковочные материалы экологически безопасны и могут использоваться повторно.

- ▶ Утилизируйте отдельные части, предварительно рассортировав их.

### 3.2 Как сэкономить электроэнергию

При соблюдении этих указаний прибор будет расходовать меньше электроэнергии.

#### Выбор места установки

- Оберегайте прибор от воздействия прямых солнечных лучей.
- Устанавливайте прибор как можно дальше от радиаторов отопления, печей и прочих источников тепла:
  - Соблюдайте расстояние 30 мм от электрических или газовых плит.
  - соблюдайте расстояние в 300 мм от прибора до масляных или угольных печей.
- Оставляйте небольшой отступ от боковой стенки.
- Не закрывайте и не загромождайте внешние вентиляционные отверстия.

#### Экономия электроэнергии во время использования

**Заметка:** Расположение элементов оснащения внутри прибора не влияет на расход прибором электроэнергии.

- Открывайте прибор только на короткое время и аккуратно закрывайте.
- Не закрывайте и не загромождайте внутренние и внешние вентиляционные отверстия.

- Купленные продукты перевозите в теплоизолированной сумке и быстро загружайте в прибор.
- Перед помещением на хранение дайте продуктам и напиткам остыть.
- Замороженные продукты положите для размораживания в холодильное отделение, чтобы использовать их холод.
- Между продуктами и задней стенкой всегда оставляйте немного места.

---

## 4 Установка и подключение

### 4.1 Комплект поставки

После распаковки проверьте все детали на отсутствие транспортных повреждений и комплектность поставки.

Обращайтесь с рекламациями в магазин, где вы приобрели прибор, или в нашу сервисную службу → *Страница 56*.

В комплект поставки входят:

- Напольный прибор
- Элементы оснащения и принадлежности<sup>1</sup>
- Материал для монтажа
- Инструкция по монтажу
- Руководство по эксплуатации
- Перечень сервисных служб
- Гарантийный талон<sup>2</sup>
- Наклейка с информацией об энергопотреблении
- Информация о расходе электроэнергии и шумах

---

<sup>1</sup> В зависимости от комплектации

<sup>2</sup> Не во всех странах

### 4.2 Критерии выбора места установки

#### ПРЕДУПРЕЖДЕНИЕ

##### Опасность взрыва!

В слишком тесном помещении при утечке хладагента может образоваться горючая воздушно-газовая смесь.

- ▶ Устанавливайте прибор только в помещении площадью не менее 1 м<sup>3</sup> на 8 г хладагента. Количество хладагента указано на типовой табличке внутри прибора. → *Рис. 1/6*

Вес прибора может составлять в зависимости от заводской модели до 75 кг. Чтобы выдержать вес прибора, поверхность, на которую он устанавливается, должна быть достаточно устойчивой.

#### Допустимая температура помещения

Допустимая температура помещения зависит от климатического класса прибора.

Климатический класс прибора указан на его типовой табличке. → *Рис. 1/6*

Климатический класс	Допустимая температура помещения
SN	10–32 °C
N	16–32 °C
ST	16–38 °C
T	16–43 °C

Прибор полностью работоспособен в пределах допустимой температуры помещения.

В случае эксплуатации прибора климатического класса SN при более низкой температуре помещения повреждение прибора можно исключить до температуры помещения 5 °C.



## Установка приборов друг под другом (Over-and-Under) и рядом друг с другом (Side-by-Side)

Если вы хотите разместить рядом или друг под другом 2 холодильных прибора, то между ними должно оставаться расстояние не менее 150 мм. Установка без соблюдения минимального расстояния возможна для отдельных моделей приборов. Уточните данный вопрос в специализированном магазине или у специалиста по планировке кухни.

### 4.3 Установка прибора

- ▶ Установите прибор в соответствии с прилагаемой инструкцией по монтажу.

### 4.4 Подготовка прибора к началу эксплуатации

1. Выньте информационные материалы.
2. Снимите защитную плёнку и транспортировочные крепления, такие как клейкая лента и картон.
3. Перед первым использованием очистите прибор. → *Страница 50*

### 4.5 Подключение прибора к электросети

1. Вставьте вилку сетевого кабеля прибора в розетку, расположенную вблизи прибора.  
Параметры подключения прибора указаны на фирменной табличке. → *Рис. 1 / 6*
2. Проверьте прочность подключения вилки сетевого кабеля.
- ✓ Прибор готов к использованию.

## 5 Знакомство с прибором

### 5.1 Прибор

Здесь приведен обзор составных частей прибора.

→ *Рис. 1*

<b>A</b>	Холодильное отделение → <i>Страница 46</i>
<b>B</b>	Морозильное отделение → <i>Страница 47</i>
<b>1</b>	Панель управления → <i>Страница 42</i>
<b>2</b>	Освещение
<b>3</b>	Полка для хранения бутылок → <i>Страница 42</i>
<b>4</b>	Внутреннее вентиляционное отверстие
<b>5</b>	Регулятор температуры (контейнер для хранения) → <i>Страница 44</i>
<b>6</b>	Типовая табличка → <i>Страница 56</i>
<b>7</b>	Контейнер для хранения → <i>Страница 42</i>
<b>8</b>	Бокс для овощей и фруктов с регулятором влажности → <i>Страница 43</i>
<b>9</b>	Бокс для замороженных продуктов → <i>Страница 50</i>
<b>10</b>	Винтовая ножка
<b>11</b>	Дверная полка для больших бутылок → <i>Страница 43</i>

**Заметка:** Элементы оснащения и размер вашего прибора могут отличаться от изображенных.

## 5.2 Панель управления

Настроить все функции прибора и получить информацию о его рабочем состоянии можно через панель управления.

→ Рис. 2

- 
- |          |   |
|----------|---|
| <b>1</b> | alarm светится, если включена сигнализация. |
|----------|---|
- 
- |          |   |
|----------|---|
| <b>2</b> | Кнопкой регулировки температуры (холодильное отделение) устанавливается температура холодильного отделения. |
|----------|---|
- 
- |          |  |
|----------|--|
| <b>3</b> | super (Холодильное отделение) светится, если включено Суперохлаждение. |
|----------|--|
- 
- |          |   |
|----------|---|
| <b>4</b> | Отображает температуру холодильного отделения в °С. |
|----------|---|
- 
- |          |  |
|----------|--|
| <b>5</b> | eco (Холодильное отделение) светится, если включен режим энергосбережения в холодильном отделении. |
|----------|--|
- 
- |          |   |
|----------|---|
| <b>6</b> | Кнопкой регулировки температуры (морозильное отделение) устанавливается температура морозильного отделения. |
|----------|---|
- 
- |          |   |
|----------|---|
| <b>7</b> | super (Морозильное отделение) светится, если включено Суперзамораживание. |
|----------|---|
- 
- |          |   |
|----------|---|
| <b>8</b> | Отображает температуру морозильного отделения в °С. |
|----------|---|
- 
- |          |  |
|----------|--|
| <b>9</b> | eco (Морозильное отделение) светится, если включен режим энергосбережения в морозильном отделении. |
|----------|--|
- 

---

## 6 Элементы оснащения

Комплектация вашего прибора зависит от модели.

### 6.1 Полка

Чтобы получить лучший обзор содержимого холодильника и быстрее брать продукты, выдвиньте полку.

Если вы хотите переставить полку, выньте её и установите в другом месте.

→ "Снятие полок", Страница 50

### 6.2 Полка для хранения бутылок

Используйте полку для хранения бутылок для безопасного хранения бутылок.

Если вы хотите переставить полку для хранения бутылок, выньте ее и установите в другом месте.

→ "Снятие полок", Страница 50

### 6.3 Контейнер для хранения

В контейнере для хранения создаётся более низкая температура, чем в холодильном отделении. Температура может временно опускаться ниже 0 °С.

Чтобы температура в контейнере для хранения была около 0 °С, установите температуру холодильного отделения 2 °С. → Страница 44

Устанавливайте в контейнере для хранения более низкую температуру, чтобы хранить скоропортящиеся продукты, например рыбу, мясо и колбасу.

## 6.4 Бокс для овощей и фруктов с регулятором влажности

Храните свежие фрукты и овощи без упаковки в контейнере для фруктов и овощей.

Нарезанные фрукты и овощи накройте крышкой или храните в герметичной упаковке.

С помощью регулятора влажности можно регулировать влажность воздуха в контейнере для овощей. Это позволяет сохранять фрукты и овощи свежими дольше по сравнению с обычным способом хранения.

→ Рис. 3

Установка влажности воздуха с помощью регулятора влажности в боксе для фруктов и овощей в зависимости от вида и количества загружаемых продуктов:

- низкая влажность ☹️ при хранении преимущественно фруктов, при смешанной или высокой загрузке;
- высокая влажность 😊 ☺️ при хранении преимущественно овощей и при малой загрузке.

В зависимости от количества и вида хранимых продуктов в контейнере для овощей и фруктов может образовываться конденсат.

Вытрите конденсат сухой тканевой салфеткой и установите низкую влажность воздуха при помощи регулятора влажности.

Для поддержания качества и аромата храните чувствительные к холоду фрукты и овощи, например, ананасы, бананы, цитрусовые, огурцы, цуккини, сладкий перец, помидоры и картофель, вне холодильника при температуре прикл. от 8 °C до 12 °C.

## 6.5 Дверная полка

Если вы хотите переставить дверные полки, выньте их и установите в другом месте.

→ "Снятие дверных полок",  
Страница 50

## 6.6 Аксессуары

Используйте оригинальные аксессуары. Они адаптированы к данному прибору. Аксессуары для прибора зависят от модели.

### Лоток для яиц

Для безопасного хранения яиц используйте лоток для яиц.

### Ёмкость для кубиков льда

Используйте ёмкость для кубиков льда для приготовления кубиков льда.

### Приготовление кубиков льда

Для приготовления кубиков льда используйте исключительно питьевую воду.

1. Заполните емкость для кубиков льда питьевой водой на  $\frac{3}{4}$  и поставьте в морозильное отделение.

Извлекайте кубики льда из емкости тупым предметом, например деревянной ручкой ложки.

2. Для извлечения кубиков льда, ёмкость для кубиков льда недолго подержите под проточной водой или слегка изогните.

---

## 7 Стандартное управление

### 7.1 Включение прибора

1. Подключите прибор к электросети.  
→ Страница 41

- ✓ Прибор начинает вырабатывать холод.

- ✓ Звучит предупредительный сигнал и мигает "alarm", потому что в морозильном отделении ещё слишком тепло.
- 2. Выключите предупредительный сигнал с помощью кнопки регулировки температуры (морозильное отделение).
- ✓ "alarm" погаснет, как только будет достигнута установленная температура.
- 3. Установите необходимую температуру. → *Страница 44*

## 7.2 Указания по эксплуатации

- После включения прибора установленная температура будет достигнута через несколько часов. Не загружайте продукты, пока не будет достигнута установленная температура.
- Передняя сторона корпуса временно слегка подогревается. Это препятствует образованию конденсата в области уплотнителя дверцы.
- При закрывании дверцы может возникнуть вакуум. Дверцу будет сложнее открыть. Подождите, пока отрицательное давление не выровняется.
- Внутренняя температура прибора зависит от следующих факторов:
  - Частота открывания дверцы
  - Объем загрузки
  - Температура только что загруженных продуктов
  - Температура окружающей среды
  - Воздействие прямых солнечных лучей

## 7.3 Выключение прибора

- ▶ Отсоедините прибор от электросети. Извлеките из розетки вилку сетевого кабеля или выключите предохранитель в блоке предохранителей.

## 7.4 Установка температуры

### Установка температуры в холодильном отделении

- ▶ Нажимайте кнопку регулировки температуры (холодильное отделение) до тех пор, пока на индикаторе температуры (холодильное отделение) не будет отображаться необходимая установка.

Чтобы достичь заданной температуры, передвиньте регулятор температуры внизу контейнера для хранения в положение  $\frac{1}{3}$ . → *Страница 44*

Рекомендуемая температура в холодильном отделении составляет 4 °C.

### Установка температуры в контейнере для хранения

1. Чтобы понизить температуру, передвиньте регулятор температуры в направлении **extra cold**.
2. Чтобы повысить температуру, передвиньте регулятор температуры в направлении **cold**.

→ *Рис. 4*

### Установка температуры в морозильном отделении

- ▶ Нажимайте кнопку регулировки температуры (морозильное отделение) до тех пор, пока на индикаторе температуры (морозильное отделение) не будет отображаться необходимая установка.

Рекомендуемая температура в морозильном отделении составляет -18 °C.

## 8 Дополнительные функции

Узнайте, какие дополнительные функции поддерживает ваш прибор.

### 8.1 Суперохлаждение

При включении Суперохлаждение охлаждение внутри холодильного отделения становится максимально интенсивным. Включайте Суперохлаждение перед размещением в холодильном отделении большого количества продуктов.

**Заметка:** Если Суперохлаждение включено, это может привести к увеличению эксплуатационного шума.

#### Включение Суперохлаждение

- ▶ Нажимайте кнопку регулировки температуры (холодильное отделение) до тех пор, пока не загорится "super" (Холодильное отделение).

**Заметка:** Спустя прим. 6 часов прибор переключается в обычный режим работы.

#### Выключение Суперохлаждение

- ▶ Нажимайте кнопку регулировки температуры (холодильное отделение) до тех пор, пока на индикаторе температуры (холодильное отделение) не будет отображаться необходимая установка.

### 8.2 Суперзамораживание

При Суперзамораживании происходит максимально интенсивное охлаждение морозильного отделения. Включите Суперзамораживание на 4–6 часов, прежде чем закладывать более 2 кг продуктов на хранение.

Включите Суперзамораживание, чтобы воспользоваться возможностями замораживания.

→ "Условия для производительности замораживания", Страница 47

**Заметка:** Если Суперзамораживание включено, это может привести к увеличению эксплуатационного шума.

#### Включение Суперзамораживание

- ▶ Нажимайте кнопку регулировки температуры (морозильное отделение) до тех пор, пока не загорится "super" (Морозильное отделение).

**Заметка:** Спустя прим. 60 часов прибор переключается в обычный режим работы.

#### Выключение Суперзамораживание

- ▶ Нажимайте кнопку регулировки температуры (морозильное отделение) до тех пор, пока на индикаторе температуры (морозильное отделение) не будет отображаться необходимая установка.

### 8.3 Режим экономии энергии

Устанавливая режим экономии энергии, вы переключаете прибор в энергосберегающий режим работы.

Прибор автоматически изменяет температуру.

---

Холодильное отделение	8 °C
-----------------------	------

---

Морозильное отделение	-16 °C
-----------------------	--------

---

#### Включение режима экономии энергии

- ▶ Нажимайте кнопку регулировки температуры до тех пор, пока не загорится "eco".

## Выключение режима экономии энергии

- ▶ Нажимайте кнопку регулировки температуры до тех пор, пока на индикаторе температуры не будет установлено желаемое значение.

---

## 9 Предупредительный сигнал

### 9.1 Предупредительный сигнал при открытой дверце

Если дверца прибора остается долго открытой, включается предупредительный сигнал.

Звучит предупредительный сигнал и загорается "alarm".

### Выключение предупредительного сигнала при открытой дверце

- ▶ Закройте дверцу прибора.
- ✓ Предупредительный сигнал отключен.

### 9.2 Предупредительный сигнал повышения температуры

Предупредительный сигнал повышения температуры включается, если в морозильном отделении становится слишком тепло.

Звучит предупредительный сигнал и мигает "alarm".

## ОСТОРОЖНО

### Риск нанесения вреда здоровью!

В процессе размораживания возможно размножение бактерий, и замороженные продукты могут испортиться.

- ▶ Не замораживайте заново частично или полностью размороженные продукты.

- ▶ Замораживайте заново продукты только после варки или жарки.
- ▶ Не превышайте максимальный срок хранения.

Предупредительный сигнал повышения температуры может включаться в следующих случаях:

- прибор вводится в эксплуатацию. Загружать продукты на хранение следует после достижения установленной температуры;
- было загружено большое количество свежих продуктов. Включайте Суперзамораживание перед загрузкой большого количества продуктов;
- дверца морозильного отделения открыта слишком долго. Убедитесь, что замороженные продукты оттаяли или разморозились.

### Выключение предупредительного сигнала повышения температуры

- ▶ Нажмите кнопку регулировки температуры (морозильное отделение).
- ✓ Предупредительный сигнал отключен.

---

## 10 Холодильное отделение

Вы можете хранить мясо, колбасу, рыбу, молочные продукты, яйца, готовые блюда и хлебобулочные изделия в холодильном отделении.

Температура регулируется в диапазоне от 2 °C до 8 °C.

Благодаря холодному хранению вы также можете хранить скоропортящиеся продукты краткосрочно и среднесрочно. Чем ниже выбранная температура, тем дольше продукты сохраняют свежесть.

## 10.1 Рекомендации по хранению продуктов в холодильном отделении

- Загружайте только свежие и неповреждённые продукты.
- Продукты должны быть герметично запакованы или храниться под закрытой крышкой.
- Чтобы не нарушать циркуляцию воздуха и не допускать замораживания продуктов, не размещайте продукты перед внутренними вентиляционными отверстиями или вплотную у задней стенки.
- Горячие блюда и напитки сначала следует охлаждать.
- Следите за указанными изготовителем сроками годности или сроками хранения продуктов.

## 10.2 Температурные зоны в холодильном отделении

Циркуляция воздуха в холодильной камере создает различные зоны холода.

### Самая холодная зона

Самая холодная зона находится в контейнере для хранения.

**Рекомендация:** Храните в самой холодной зоне скоропортящиеся продукты, например, рыбу, колбасу, мясо.

### Самая тёплая зона

Самая тёплая зона находится в самой верхней части дверцы.

**Рекомендация:** Храните в зоне самой высокой температуры продукты с длительным сроком хранения, например твёрдый сыр и масло. За счёт этого аромат сыра будет раскрываться, а масло останется мягким.

## 11 Морозильное отделение

В морозильном отделении вы можете хранить замороженные продукты, замораживать продукты и делать кубики льда.

Температура регулируется в диапазоне от  $-16\text{ }^{\circ}\text{C}$  до  $-24\text{ }^{\circ}\text{C}$ .

Для долгосрочного хранения продуктов рекомендуется температура  $-18\text{ }^{\circ}\text{C}$  или ниже.

Хранение продуктов в замороженном состоянии позволяет сохранять скоропортящиеся продукты в течение длительного времени. Низкая температура замедляет или предотвращает порчу продуктов.

### 11.1 Производительность замораживания

Производительность замораживания указывает, какое количество продуктов и за какой период времени можно глупо заморозить.

Данные о производительности замораживания указаны на типовой табличке.

→ Рис. 1 / 6

### Условия для производительности замораживания

1. Примерно за 24 часа до загрузки свежих продуктов нажмите Суперзамораживание.  
→ "Включение Суперзамораживание", Страница 45
2. Сначала положите продукты в самый нижний бокс для замороженных продуктов.

## 11.2 Размещение продуктов по всей площади морозильного отделения

Узнайте, как разместить максимальное количество замороженных продуктов в морозильном отделении.

1. Выньте все элементы оснащения из морозильного отделения.  
→ Страница 50
2. Разложите продукты прямо на полках и на дне морозильного отделения.

## 11.3 Рекомендации по хранению продуктов в морозильном отделении

- Храните продукты в герметичной упаковке.
- Предназначенные для замораживания продукты не должны соприкасаться с ранее замороженными продуктами.
- Разложите продукты свободно в боксе для замороженных продуктов.
- Чтобы воздух мог беспрепятственно циркулировать в приборе, задвиньте боксы для замороженных продуктов внутрь до упора.

## 11.4 Рекомендации по замораживанию свежих продуктов

- Замораживайте только свежие продукты в безупречном состоянии.
- Замораживайте продукты порциями.
- Готовые блюда лучше подходят для этого, чем сырые.
- Перед заморозкой следует промыть, порезать и бланшировать овощи.
- Перед заморозкой фруктов их следует помыть, удалить косточки и при необходимости очистить от кожуры, а

также при необходимости добавить сахар или раствор аскорбиновой кислоты.

- Пригодными для замораживания продуктами являются хлебобулочные изделия, рыба и морепродукты, мясо, дичь, птица, яйца без скорлупы, сыр, сливочное масло, творог, готовые блюда и остатки блюд.
- Непригодными для замораживания продуктами являются листовая салат, редиска, яйца в скорлупе, виноград, целые яблоки и груши, йогурт, сметана, крем-фреш и майонез.

## Упаковка продуктов для замораживания

Подходящий упаковочный материал и правильный тип упаковки в значительной мере сохраняют качество продукта и предотвращают его промерзание.

1. Положите продукты в упаковку.
2. Выдавите весь воздух.
3. Закройте упаковку герметично, чтобы продукты не утратили вкус и не высохли.
4. Укажите на упаковке ее содержимое и дату замораживания.

## 11.5 Срок хранения замороженных продуктов при $-18\text{ }^{\circ}\text{C}$

Продукты	Срок хранения
Рыба, колбасные изделия, готовые блюда, хлебобулочные изделия	до 6 месяцев
Птица, мясо	до 8 месяцев
Овощи, фрукты	до 12 месяцев

Календарь сроков хранения замороженных продуктов указывает максимальный срок хранения в месяцах при постоянной температуре  $-18\text{ }^{\circ}\text{C}$ .



## 11.6 Способы размораживания замороженных продуктов

### ОСТОРОЖНО

#### Риск нанесения вреда здоровью!

В процессе размораживания возможно размножение бактерий, и замороженные продукты могут испортиться.

- ▶ Не замораживайте заново частично или полностью размороженные продукты.
- ▶ Замораживайте заново продукты только после варки или жарки.
- ▶ Не превышайте максимальный срок хранения.
- Продукты животного происхождения, например рыбу, мясо, сыр и творог, размораживайте в холодильном отделении.
- Хлеб размораживайте при комнатной температуре.
- Готовьте продукты для немедленного употребления в микроволновой печи, в духовом шкафу или на плите.

---

## 12 Размораживание

### 12.1 Размораживание холодильного отделения

Холодильное отделение размораживается автоматически.

### 12.2 Размораживание в морозильном отделении

Благодаря полностью автоматической системе «NoFrost» внутри морозильного отделения лёд не образуется. Размораживание не требуется.

---

## 13 Очистка и уход

Для долговременной исправной работы прибора требуется его тщательная очистка и уход.

Чистку недоступных мест должны производить специалисты сервисной службы. Чистка специалистами сервисной службы может быть платной.

### 13.1 Подготовка прибора к очистке

1. Отсоедините прибор от электросети.  
Извлеките из розетки вилку сетевого кабеля или выключите предохранитель в блоке предохранителей.
2. Выньте продукты и положите их в холодное место.  
Положите на продукты питания аккумуляторы холода, если они есть.
3. Извлеките все элементы оснащения и принадлежности из прибора.  
→ Страница 50

## 13.2 Очистка прибора

### **⚠ ПРЕДУПРЕЖДЕНИЕ**

**Опасность поражения электрическим током!**

Проникающая в прибор влага может стать причиной поражения током.

- ▶ Не используйте для очистки прибора пароочистители или очистители высокого давления.

Попадание жидкости в элементы системы освещения, элементы управления или внутренние вентиляционные отверстия может представлять опасность.

- ▶ Не допускайте попадания воды в систему освещения, элементы управления или внутренние вентиляционные отверстия.

### **ВНИМАНИЕ!**

Неподходящие чистящие средства могут повредить поверхности прибора.

- ▶ Не используйте жесткие мочалки или губки.
- ▶ Не используйте агрессивные или абразивные чистящие средства.
- ▶ Не используйте чистящие средства с большим содержанием спирта.

При мытье элементов оснащения и принадлежностей в посудомоечной машине, они могут деформироваться или изменить цвет.

- ▶ Не мойте детали прибора и принадлежности в посудомоечной машине.

1. Подготовьте прибор к очистке.  
→ Страница 49
2. Очистите прибор, элементы оснащения, принадлежности и уплотнители дверцы с помощью тканевой салфетки и тёплой воды с небольшим количеством рН-нейтрального средства для мытья посуды.
3. Вытрите насухо мягкой сухой салфеткой.
4. Установите элементы оснащения.

5. Подключите прибор к электросети.  
→ Страница 41
6. Загрузите продукты.

## 13.3 Извлечение элементов оснащения

Если вы хотите тщательно очистить элементы оснащения, выньте их из прибора.

### **Снятие полок**

- ▶ Выдвиньте, приподнимите и снимите полку.  
→ Рис. **5**

### **Снятие дверных полок**

- ▶ Приподнимите и снимите дверные полки.  
→ Рис. **6**

### **Извлечение контейнера для хранения**

1. Выдвиньте контейнер для хранения до упора.
2. Приподнимите спереди контейнер для хранения ① и выньте ②.  
→ Рис. **7**

### **Извлечение бокса для овощей и фруктов**

1. Выдвиньте до упора бокс для овощей и фруктов.
2. Приподнимите бокс для овощей и фруктов ① и извлеките движением на себя ②.  
→ Рис. **8**

### **Извлечение бокса для замороженных продуктов**

1. Выдвиньте бокс для замороженных продуктов до упора.

2. Приподнимите бокс для замороженных продуктов ① и потяните вперед ②.

→ Рис. **9**

## Снятие передней части контейнера

Для более удобной очистки можно снять переднюю часть контейнера для фруктов и овощей.

- ▶ Прижмите боковые фиксаторы контейнера ① и снимите с поворотом переднюю часть с контейнера ②.

→ Рис. **10**

## 14 Устранение неисправностей

Вы можете самостоятельно устранить незначительные неисправности вашего прибора. Воспользуйтесь информацией из главы «Устранение неисправностей» перед обращением в сервисную службу. Это позволит избежать дополнительных расходов.

### ПРЕДУПРЕЖДЕНИЕ

#### Опасность поражения электрическим током!

При неквалифицированном ремонте прибор может стать источником опасности.

- ▶ Ремонтировать прибор разрешается только квалифицированным специалистам.
- ▶ Для ремонта прибора можно использовать только оригинальные запчасти.
- ▶ Во избежание опасностей замена поврежденного сетевого кабеля данного прибора может быть выполнена только производителем или авторизованной им сервисной службой либо лицом, имеющим аналогичную квалификацию.

Неисправность	Причина и устранение неисправностей
Прибор не охлаждает, индикаторы и подсветка горят.	Включен демонстрационный режим. ▶ Удерживайте кнопку регулировки температуры (холодильное отделение) 9–11 секунд, пока не раздастся звуковой сигнал.
Светодиодная подсветка не работает.	Возможны различные причины. ▶ Обратитесь в сервисную службу. Номер сервисной службы можно найти в прилагаемом перечне сервисных служб.
Боковые панели прибора теплые.	Не является неисправностью. В боковых стенках проходят трубки, которые нагреваются в процессе охлаждения. Повреждение предметов мебели, соприкасающихся с прибором, под действием тепла не происходит. Никаких действий не требуется.
Звучит предупредительный сигнал и мигает "alarm".	Возможны различные причины. ▶ Нажмите кнопку регулировки температуры (морозильное отделение). ✓ Сигнализация выключается.
	Дверца прибора открыта. ▶ Закройте дверцу прибора.
	Перекрыты внешние вентиляционные отверстия. ▶ Устраните препятствия перед внешними вентиляционными отверстиями.
	Было загружено большое количество свежих продуктов. ▶ Не превышайте производительность замораживания. → "Производительность замораживания", Страница 47

Неисправность	Причина и устранение неисправностей
<p>Установленное значение температуры не достигнуто.</p> <p>Полностью автоматическое размораживание больше не работает.</p>	<p>Дверца морозильного отделения была открыта в течение длительного времени. Испаритель (генератор холода) в системе NoFrost сильно обледенел.</p> <p><b>Требование:</b> Замороженные продукты должны быть хорошо упакованы и храниться в прохладном месте.</p> <ol style="list-style-type: none"> <li>1. Выключите прибор. → <i>Страница 44</i></li> <li>2. Отсоедините прибор от сети. Отсоедините прибор от электросети или выключите соответствующий предохранитель в блоке предохранителей.</li> <li>3. Отодвиньте прибор от стены.</li> <li>4. Оставьте дверцу прибора открытой.</li> </ol> <p>✓ Примерно через 20 минут талая вода начнёт стекать в сливное отверстие поддона в задней стенке прибора. → <i>Рис. 11</i></p> <ol style="list-style-type: none"> <li>5. Чтобы поддон не переполнялся, убирайте талую воду губкой. Испаритель оттаял, если в поддон больше не стекает вода.</li> <li>6. Очистите прибор внутри. → <i>Страница 50</i></li> <li>7. Снова включите прибор. → <i>Страница 43</i></li> </ol>
<p>Температура существенно отличается от настроенной.</p>	<p>Возможны различные причины.</p> <ol style="list-style-type: none"> <li>1. Выключите прибор. → <i>Страница 44</i></li> <li>2. Включите прибор примерно через 5 минут. → <i>Страница 43</i> <ul style="list-style-type: none"> <li>– Если температура слишком высокая, проверьте ее через два часа.</li> <li>– Если температура слишком низкая, проверьте ее на следующий день.</li> </ul> </li> </ol>
<p>На поверхности прибора и полках образуется конденсат.</p>	<p>Вода, содержащаяся в теплом и влажном воздухе, конденсируется на более холодных поверхностях прибора.</p> <ol style="list-style-type: none"> <li>1. Убирайте воду мягкой сухой салфеткой.</li> <li>2. Дверцы прибора закрывайте как можно быстрее.</li> <li>3. Следите за тем, чтобы прибор всегда был правильно закрыт.</li> </ol>
<p>Прибор издаёт гул, булькающие звуки, гудит, дребезжит, щёлкает или трещит.</p>	<p>Не является неисправностью. Работает двигатель, например холодильного агрегата или вентилятора. Хладагент течёт по трубам. Включаются или выключаются двигатель, выключатель или электромагнитные клапаны. Происходит автоматическое размораживание. Никаких действий не требуется.</p>

<b>Неисправность</b>	<b>Причина и устранение неисправностей</b>
Прибор издаёт шумы.	Прибор установлен неровно. ▶ Выровняйте прибор с помощью уровня или винтовых ножек.
	Прибор не является отдельно стоящим. ▶ Соблюдайте минимальные расстояния от прибора.
	Плохо установлены элементы оснащения. ▶ Проверьте извлечённые элементы оснащения и заново их установите.
	Бутылки или ёмкости касаются друг друга. ▶ Отодвиньте бутылки или другие ёмкости друг от друга.
	Включено Суперзамораживание. Никаких действий не требуется.

## 14.1 Отключение электро-энергии

Во время перебоев в подаче электроэнергии температура в приборе повышается, что сокращает время хранения и снижает качество замороженных продуктов.

На нашем веб-сайте в информации о технических характеристиках вашего прибора указано время хранения продуктов в замороженном состоянии в случае неисправности.

### Примечания

- Во время отключения электроэнергии открывайте устройство как можно реже и не помещайте на хранение другие продукты.
- Проверьте качество продуктов сразу после возобновления подачи электроэнергии.
  - Выкиньте продукты, которые разморозились и температура которых составляет более 5 °C.
  - Слегка оттаявшие замороженные продукты сварите или поджарьте и употребите в пищу или снова заморозьте.

## 15 Хранение и утилизация

### 15.1 Вывод прибора из эксплуатации

1. Отсоедините прибор от электросети. Извлеките из розетки вилку сетевого кабеля или выключите предохранитель в блоке предохранителей.
2. Выньте продукты.
3. Очистка прибора. → *Страница 50*
4. Для обеспечения вентиляции внутреннего пространства оставьте прибор открытым.

## 15.2 Утилизация старого бытового прибора

Утилизация в соответствии с экологическими нормами обеспечивает возможность вторичного использования ценных сырьевых материалов.

### ПРЕДУПРЕЖДЕНИЕ

#### Риск нанесения вреда здоровью!

Дети могут оказаться запертыми в приборе и подвергнуть свою жизнь опасности.

- ▶ Чтобы дети не смогли забраться внутрь, не извлекайте из прибора полки и контейнеры.
- ▶ Отслуживший прибор держать вдали от детей.

### ПРЕДУПРЕЖДЕНИЕ

#### Опасность возгорания!

При поврежденных трубках горючий хладагент и вредные газы могут протечь и воспламениться.

- ▶ Не допускайте повреждения труб контура циркуляции хладагента и изоляции.

1. Выньте из розетки вилку сетевого кабеля.
2. Обрежьте сетевой кабель прибора.
3. Утилизируйте прибор в соответствии с экологическими нормами.

Сведения о возможных способах утилизации можно получить в специализированном торговом предприятии, а также в районных или городских органах управления.



Данный прибор имеет отметку о соответствии европейским нормам 2012/19/ EU утилизации электрических и электронных прибо-

ров (waste electrical and electronic equipment - WEEE).

Данные нормы определяют действующие на территории Евросоюза правила возврата и утилизации старых приборов.

---

## 16 Сервисная служба

Подробную информацию о гарантийном сроке и условиях гарантии в вашей стране вы можете запросить в нашей сервисной службе, у вашего продавца или найти на нашем сайте.

При обращении в сервисную службу укажите номер изделия (E-Nr.) и заводской номер (FD) прибора.

Адрес и телефон сервисной службы можно найти в прилагаемом перечне сервисных служб или на нашем веб-сайте.

Для доступа к контактам служб клиентского сервиса, вы также можете использовать данный QR код.

<https://www.bosch-home.ru>



Импортер/Организация, принимающая претензии по качеству/ ТОО «BSH Home Appliances (БСХ Хоум Аплайансэс)»

Республика Казахстан, г. Алматы, ул.

Хаджи Мукана, 22/5, 7 этаж

e-mail: [ala-infokz@bshg.com](mailto:ala-infokz@bshg.com)

Срок службы устройства – 7 лет.

На территории Республики Казахстан, при обнаружении неисправности, звоните в сервисный контакт-центр 5454 (только для мобильных телефонов).

Сделано в Турции

## 16.1 Номер изделия (E-Nr.) и заводской номер (FD)

Номер изделия (E-Nr.) и заводской номер (FD) вы найдете на фирменной табличке своего прибора.

→ Рис. 1 / 6

Чтобы быстро найти данные прибора и номер телефона сервисной службы, вы можете записать эти данные.

---

## 17 Технические характеристики

Хладагент, полезный объем и прочие технические данные указаны на типовой табличке.

→ Рис. 1 / 6



**Для отримання додаткової інформації зверніться до Цифрового посібника користувача.**



## **Вміст**

<b>1 Безпека .....</b>	<b>59</b>		
1.1 Загальні вказівки .....	59		
1.2 Використання за призначенням .....	59		
1.3 Обмеження кола користувачів .....	59		
1.4 Безпечне транспортування ...	59		
1.5 Безпечне встановлення.....	60		
1.6 Безпечне користування.....	61		
1.7 Пошкоджений прилад.....	63		
<b>2 Як запобігти матеріальним збиткам .....</b>	<b>65</b>		
<b>3 Охорона довкілля й ощадливе користування.....</b>	<b>65</b>		
3.1 Утилізація упаковки .....	65		
3.2 Заощадження енергії.....	65		
<b>4 Установлення й підключення .....</b>	<b>66</b>		
4.1 Обсяг постачання .....	66		
4.2 Вимоги до місця встановлення.....	66		
4.3 Монтаж приладу.....	67		
4.4 Підготовка приладу до першого використання.....	67		
4.5 Підключення приладу до електромережі .....	67		
<b>5 Знайомство.....</b>	<b>67</b>		
5.1 Прилад.....	67		
5.2 Панель управління.....	68		
<b>6 Устаткування.....</b>	<b>68</b>		
6.1 Полиця .....	68		
6.2 Полиця для пляшок.....	68		
6.3 Контейнер для зберігання ....	68		
		6.4 Контейнер для фруктів та овочів з регулятором вологості.....	69
		6.5 Полиця у дверях.....	69
		6.6 Приладдя .....	69
		<b>7 Основні відомості про користування .....</b>	<b>70</b>
		7.1 Увімкнення приладу .....	70
		7.2 Вказівки з експлуатації.....	70
		7.3 Вимкніть прилад.....	70
		7.4 Встановлення температури... ..	70
		<b>8 Додаткові опції .....</b>	<b>71</b>
		8.1 Охолодження з функцією «Супер» .....	71
		8.2 Заморожування з функцією «Супер».....	71
		8.3 Енергоощадний режим.....	72
		<b>9 Попереджувальний сигнал ....</b>	<b>72</b>
		9.1 Сигнал попередження про відчинені дверцята .....	72
		9.2 Сигнал попередження про недопустиму температуру .....	72
		<b>10 Холодильне відділення .....</b>	<b>73</b>
		10.1 Поради щодо зберігання продуктів у холодильному відділенні.....	73
		10.2 Температурні зони в холодильному відділенні.....	73
		<b>11 Морозильна камера .....</b>	<b>73</b>
		11.1 Заморожувальна здатність..	74
		11.2 Максимальне використання площі морозильної камери .....	74

11.3	Поради щодо зберігання продуктів у морозильній камері .....	74
11.4	Поради щодо заморожування свіжих продуктів .....	74
11.5	Термін зберігання заморожених продуктів при $-18\text{ }^{\circ}\text{C}$ .....	75
11.6	Способи розморожування заморожених продуктів.....	75
<b>12</b>	<b>Розморожування .....</b>	<b>75</b>
12.1	Розморожування у холодильному відділенні.....	75
12.2	Розморожування в морозильній камері .....	75
<b>13</b>	<b>Чищення та догляд .....</b>	<b>75</b>
13.1	Підготовка приладу до очищення .....	75
13.2	Чищення приладу.....	76
13.3	Виймання елементів устаткування.....	76
<b>14</b>	<b>Усунення несправностей.....</b>	<b>78</b>
14.1	Порушення електропостачання .....	81
<b>15</b>	<b>Зберігання й утилізація.....</b>	<b>81</b>
15.1	Виведення приладу з експлуатації.....	81
15.2	Утилізація старих приладів..	81
<b>16</b>	<b>Сервісні центри .....</b>	<b>82</b>
16.1	Номер виробу (E-Nr.) і заводський номер (FD).....	82
<b>17</b>	<b>Технічні характеристики .....</b>	<b>82</b>



## 1 Безпека

Дотримуйтеся наступних правил техніки безпеки.

### 1.1 Загальні вказівки

- Будь ласка, уважно прочитайте цю інструкцію.
- Збережіть інструкцію й інформацію про прилад для пізнішого користування або для наступного власника приладу.
- Не підключайте прилад, якщо його пошкоджено під час транспортування.

### 1.2 Використання за призначенням

Користуйтеся приладом лише за таких умов:

- для охолодження й заморожування продуктів, а також для приготування кубиків льоду.
- у приватних домогосподарствах і в закритих приміщеннях побутового призначення.
- на висоті щонайбільше 2000 м над рівнем моря.

### 1.3 Обмеження кола користувачів

Діти віком від 8 років, а також особи з обмеженими фізичними, сенсорними або розумовими здібностями чи з браком досвіду та/або знань можуть користуватися цим приладом тільки під наглядом або після отримання вказівок із безпечного користування приладом і після того, як вони усвідомили можливі пов'язані з цим небезпеки.

Дітям заборонено гратися з приладом.

Дітям заборонено чистити й обслуговувати прилад без нагляду дорослих.

### 1.4 Безпечне транспортування

#### **УВАГА! – Небезпека травмування!**

Прилад важкий – піднімати його небезпечно для здоров'я.

- ▶ Ніколи не піднімайте прилад самотужки.

## 1.5 Безпечне встановлення

### **⚠ УВАГА! – Небезпека ураження електричним струмом!**

Монтаж, виконаний неналежним чином, може становити небезпеку для користувача.

- ▶ Прилад дозволено підключати до електромережі й експлуатувати лише відповідно до даних, зазначених на заводській таблиці.
- ▶ Прилад можна підключати до електромережі змінного струму тільки через заземлену розетку, змонтовану згідно з чинними нормами.
- ▶ Заземлювальний провід електричної системи оселі має бути прокладений згідно з чинними нормами.
- ▶ Забороняється використання приладу в приміщеннях, де електрична мережа не обладнана заземлювальним проводом.
- ▶ В жодному разі не підключайте прилад до зовнішнього розподільного пристрою для живлення, наприклад, таймера або пульта дистанційного керування.
- ▶ Якщо пристрій встановлено, до мережевого штекера мережного кабелю повинен бути забезпечений вільний доступ, або, якщо це неможливо, у стаціонарно змонтованій електричній системі потрібно встановити роз'єднувач відповідно до місцевих технічних умов.
- ▶ Установлюючи прилад, пильнуйте, щоб не перетиснути й не пошкодити кабель живлення.

Пошкоджена ізоляція кабелю живлення — джерело небезпеки.

- ▶ Не допускайте контакту кабелю живлення з джерелами тепла.

### **⚠ УВАГА! – Небезпека вибуху!**

Якщо вентиляційні отвори приладу перекриті, у разі негерметичності холодильного контуру може утворитися легкозаймиста газоповітряна суміш.

- ▶ Не перекривайте вентиляційні отвори в корпусі пристрою або в монтажному корпусі.

**⚠ УВАГА! – Небезпека пожежі!**

Застосовувати подовжений кабель живлення й недозволені адаптери небезпечно.

- ▶ Не застосовуйте подовжувачі або багатомісні розетки.
- ▶ Застосовуйте лише адаптери, які дозволив виробник.
- ▶ Якщо шнур живлення є коротким і немає довшого шнура живлення, зверніться до професійної електромайстерні, щоб адаптувати місце монтажу вдома.

Рухомі багатомісні розетки або переносні блоки живлення можуть перегріватися і стати причиною пожежі.

- ▶ Не розміщуйте рухомі багатомісні розетки або переносні блоки живлення на задній стороні приладу.

**1.6 Безпечне користування****⚠ УВАГА! – Небезпека ураження електричним струмом!**

Рідина, що витекла, може спричинити ураження електричним струмом.

- ▶ Використовуйте прилад лише в закритих приміщеннях.
- ▶ Бережіть прилад від високої температури й вологи.
- ▶ Не можна чистити прилад за допомогою парового або високотискового приладу.

**⚠ УВАГА! – Небезпека удушення!**

Діти можуть натягти пакувальні матеріали собі на голову або загорнутися в них і задихнутися.

- ▶ Бережіть пакувальні матеріали від дітей.
- ▶ Не дозволяйте дітям гратися з пакувальним матеріалом.

Діти можуть удихнути чи проковтнути дрібні деталі й унаслідок цього задихнутися.

- ▶ Бережіть дрібні деталі від дітей.
- ▶ Не дозволяйте дітям гратися з дрібними деталями.

**⚠ УВАГА! – Небезпека вибуху!**

Якщо контур холодоагенту пошкоджений, легкозаймистий холодоагент може витекти і спричинити вибух.

- ▶ Для прискорення розморожування використовуйте лише механічні пристрої або засоби, рекомендовані виробником.

- ▶ Відокремлюйте заморожені продукти тупим предметом, наприклад дерев'яною ручкою ложки.

Продукти, що містять горючі гази та вибухові речовини, можуть вибухнути, наприклад, аерозольні балони.

- ▶ Не зберігайте в приладі продукти, що містять горючі гази або вибухонебезпечні речовини.

### **⚠ УВАГА! – Небезпека пожежі!**

Електричні прилади (наприклад, нагрівачі або морозивниці) можуть спричинити пожежу.

- ▶ Не використовуйте електричні прилади всередині приладу.

### **⚠ УВАГА! – Небезпека травмування!**

Посудини з газованими напоями можуть тріснути.

- ▶ Морозильна камера не призначена для зберігання ємностей із газованими напоями.

Можливе травмування очей в результаті витоку легкозаймистого холодоагенту і шкідливих газів.

- ▶ Бережіть труби холодильного контуру, а також ізоляцію від пошкоджень.

Прилад може перекинутися.

- ▶ Не ставайте та не спирайтеся на опорну частину, висувні полиці або дверцята приладу.

### **⚠ УВАГА! – Небезпека опіків!**

Окремі частини зворотного боку приладу нагріваються під час роботи.

- ▶ Не торкайтесь розпечених деталей.

### **⚠ УВАГА! – Небезпека обмороження!**

Контакт із замороженими продуктами і холодними поверхнями може призвести до травми від холоду.

- ▶ Категорично заборонено класти до рота заморожені продукти, щойно вийняті з морозильної камери.
- ▶ Уникайте довготривалого контакту шкіри із замороженими продуктами, льодом і поверхнями в морозильній камері.

## **⚠ УВАГА – Небезпека шкоди здоров'ю!**

Щоб уникнути забруднення продуктів, необхідно дотримуватися наступних інструкцій.

- ▶ Якщо дверцята відкриті протягом тривалого часу, у відділеннях приладу може значно підвищуватися температура.
- ▶ Регулярно очищуйте поверхні, які можуть контактувати з продуктами і відкритими дренажними системами.
- ▶ Зберігайте сире м'ясо і рибу у відповідних контейнерах в холодильнику. Не допускайте їх контакту з іншими продуктами, а також стікання рідин на розташовані поруч продукти.
- ▶ Якщо холодильник/морозильна камера залишатиметься порожнім протягом тривалого часу, вимкніть його, розморозьте, очистіть і залиште дверцята відкритими, щоб запобігти появі цвілі.

Елементи приладу, виготовлені з металу або які виглядають металевими, можуть містити алюміній. При контакті кислих продуктів з алюмінієм іони алюмінію можуть бути перенесені у продукти харчування.

- ▶ Не вживайте забруднені продукти.

## **1.7 Пошкоджений прилад**

### **⚠ УВАГА! – Небезпека ураження електричним струмом!**

Пошкоджений прилад або пошкоджений мережний кабель – джерело небезпеки.

- ▶ Ніколи не користуйтеся пошкодженим приладом.
- ▶ Не тягніть за мережний кабель, щоб від'єднати прилад від мережі. Завжди тягніть тільки за мережний штекер мережного кабелю.
- ▶ Якщо прилад або мережний кабель пошкоджений, негайно від'єднайте мережевий штекер розподільного блока або вимкніть запобіжник у розподільному блоці.
- ▶ Зателефонуйте до сервісного центру. → *Стор. 82*

Ремонтні роботи, виконані неналежним чином, можуть складати небезпеку для користувача.

- ▶ Ремонтувати прилад дозволено тільки фахівцям.

- ▶ Для ремонту приладу дозволяється використовувати лише оригінальні запчастини.
- ▶ Щоб уникнути небезпек, у разі пошкодження кабелю живлення цього приладу його заміну має виконувати виробник, сервісний центр або особа з відповідною кваліфікацією.

**⚠ УВАГА! – Небезпека пожежі!**



Пошкодження труб може призвести до витoku і займання легкозаймистого холодоагенту і шкідливих газів.

- ▶ Уникайте контакту з вогнем та джерелами займання поблизу приладу.
- ▶ Провітріть приміщення.
- ▶ Вимкніть прилад. → *Стор. 70*
- ▶ Вийміть штепсельну вилку кабелю живлення з розетки або вимкніть запобіжник на електричному щиті.
- ▶ Зателефонуйте до сервісної служби. → *Стор. 82*



## 2 Як запобігти матеріальним збиткам

### УВАГА!

Через нахил коліщаток приладу при його переміщенні може пошкодитися підлога.

- ▶ Транспортуйте прилад а допомогою вантажного візка.
- ▶ Під час переміщення приладу використовуйте захист підлоги та рухайтесь прямим маршрутом.

Якщо сідати та вставати на прилад, цоколь, висувні елементи і дверцята, це може призвести до пошкодження приладу.

- ▶ Не ставайте та не спирайтеся на прилад, цоколь, висувні полиці або дверцята приладу.

Внаслідок забруднення олією або жиром пластмасові елементи та ущільнення дверцят можуть стати пористими.

- ▶ Не допускайте забруднення пластмасових елементів і ущільнення дверцят олією або жиром.

Частини приладу, виготовлені з металу або які мають вигляд металу, можуть містити алюміній.

При контактi з продуктами, що містять кислоту відбувається корозія алюмінію та зміна кольору.

- ▶ Зберігайте продукти у приладі лише упакованими.

При митті елементів устаткування та приладдя в посудомийній машині вони можуть деформуватися або змінити колір.

- ▶ Забороняється мити елементи оснащення та приладдя у посудомийній машині.

## 3 Охорона довкілля й ощадливе користування

### 3.1 Утилізація упаковки

Пакувальні матеріали екологічно безпечні і можуть використовуватися повторно.

- ▶ Окремі складники потрібно розсортувати й утилізувати роздільно.

### 3.2 Заощадження енергії

Якщо ви будете виконувати ці вказівки, прилад споживатиме менше електроенергії.

#### Вибір місця встановлення

- Бережіть прилад від прямого потрапляння сонячних променів.
- Встановлюйте прилад якомога далі від радіаторів опалення, плит та інших джерел тепла:
  - Дотримуйтеся відстані 30 мм до електричних та газових плит.
  - Дотримуйтеся відстані 300 мм до печей на рідкому або твердому паливі.
- Залишайте невелику відстань від бічної стінки.
- Не закривайте і не перекривайте зовнішні вентиляційні отвори.

#### Заощадження електроенергії при використанні

**Зауваження:** Розташування елементів оснащення не впливає на споживання енергії приладом.

- Відкривайте прилад лише на короткий час і обережно його зачиняйте.

## uk Установлення й підключення

- Не закривайте і не перекривайте внутрішні вентиляційні отвори або зовнішні вентиляційні отвори.
- Придбані харчові продукти слід транспортувати в сумці-холодильнику та якнайшвидше класти в прилад.
- Перед встановленням на зберігання дайте продуктам і напоям охолонути.
- Заморожені продукти для розморожування слід класти в холодильне відділення, щоб холод від них не марнувався.
- Завжди залишайте місце між продуктами й задньою стінкою приладу.

## 4 Установлення й підключення

### 4.1 Обсяг постачання

Перевірте після розпаковування всі деталі на предмет можливого пошкодження під час транспортування, а також комплектність поставки. У разі наявності претензій зверніться до продавця приладу або до нашого сервісного центру → *Стор. 82*.

В комплект входять:

- Підлоговий прилад
- Устаткування та приладдя<sup>1</sup>
- Монтажне приладдя
- Інструкція з монтажу
- Інструкція з експлуатації
- Перелік сервісних служб
- Гарантійний талон<sup>2</sup>
- Наклейка з інформацією про енергоспоживання

<sup>1</sup> Залежно від комплектації приладу

<sup>2</sup> Не в усіх країнах

- Інформація про споживання електроенергії та рівень шуму

### 4.2 Вимоги до місця встановлення

#### **УВАГА!** **Небезпека вибуху!**

У занадто тісному приміщенні при витокі холодоагенту може утворитися вибухова повітряно-газова суміш.

- ▶ Встановлюйте прилад лише у приміщенні площею щонайменше 1 м<sup>3</sup> на 8 г холодоагенту. Кількість холодоагенту зазначена на фірмовій табличці. → *Мал. 1/*

**6**

Вага приладу залежно від моделі може становити до 75 кг. Щоб витримати вагу приладу, поверхня має бути достатньо стабільною.

#### **Допустима температура у приміщенні**

Допустима температура в приміщенні залежить від кліматичного класу приладу.

Кліматичний клас зазначено на заводській табличці. → *Мал. 1/ 6*

Кліматичний клас	Допустима температура у приміщенні
SN	10–32 °C
N	16–32 °C
ST	16–38 °C
T	16–43 °C

У межах допустимого діапазону температури прилад має повну роботоздатність.

Якщо прилад, що належить до кліматичного класу SN але працює в приміщенні з більш низькою температурою, небезпека пошкодження приладу не з'являється лише за умови, якщо температура не опускається нижче 5 °С.

### Встановлення приладів один над або під іншим і поруч один з одним

Якщо потрібно розташувати 2 охолоджувальних пристрої один над одним або поруч один з одним, необхідно залишити між ними відстань щонайменше 150 мм. Для окремих приладів можливе встановлення без дотримання мінімальної відстані. Дізнайтеся цю інформацію у спеціалізованому магазині або у проектувальника кухні.

### 4.3 Монтаж приладу

- ▶ Встановіть прилад відповідно до вимог посібника з монтажу, що додається.

### 4.4 Підготовка приладу до першого використання

1. Вийміть інформаційні матеріали.
2. Зніміть захисну плівку і транспортні кріплення, такі як клейка стрічка і картон.
3. Перед першим використанням очистіть прилад. → *Стор. 76*

### 4.5 Підключення приладу до електромережі

1. Штепсельну вилку кабелю живлення вставте в розетку неподалік від приладу.

Приєднувальні параметри приладу наведено на заводській табличці. → *Мал. 1 / 6*

2. Перевірте, чи міцно вставлено штекер у розетці.
- ✓ Тепер прилад готовий до експлуатації.

## 5 Знайомство

### 5.1 Прилад

Тут можна познайомитися зі складниками приладу.

→ *Мал. 1*

<b>A</b>	Холодильне відділення → <i>Стор. 73</i>
<b>B</b>	Морозильна камера → <i>Стор. 73</i>
<b>1</b>	Панель управління → <i>Стор. 68</i>
<b>2</b>	Освітлення
<b>3</b>	Полиця для пляшок → <i>Стор. 68</i>
<b>4</b>	Внутрішній вентиляційний отвір
<b>5</b>	Регулятор температури (відділення для зберігання) → <i>Стор. 70</i>
<b>6</b>	Заводська табличка → <i>Стор. 82</i>
<b>7</b>	Контейнер для зберігання → <i>Стор. 68</i>
<b>8</b>	Контейнер для фруктів та овочів з регулятором вологості → <i>Стор. 69</i>
<b>9</b>	Контейнер для заморожених продуктів → <i>Стор. 77</i>
<b>10</b>	Гвинтова ніжка

- 
- 11** Полиця у дверях для великих пляшок → *Стор. 69*
- 

**Зауваження:** Устаткування та розмір вашого приладу можуть відрізнятися від зображених.

## 5.2 Панель управління

За допомогою панелі управління можна налаштовувати функції приладу й одержувати інформацію про його робочий стан.

→ *Мал. 2*

- 
- 1** alarm Світиться, якщо увімкнено сигнал тривоги.
- 
- 2** Кнопкою налаштування температури (холодильне відділення) можна встановити температуру в холодильному відділенні.
- 
- 3** super (холодильне відділення) Світиться, якщо увімкнено Охолодження з функцією «Супер».
- 
- 4** Відображення заданої температури холодильного відділення в °C.
- 
- 5** есо (холодильне відділення) Світиться, якщо увімкнений режим заощадження електроенергії у холодильному відділенні.
- 
- 6** Кнопкою налаштування температури (морозильна камера) можна встановити температуру в морозильній камері.
- 
- 7** super (морозильна камера) Світиться, якщо увімкнено Заморожування з функцією «Супер».
- 
- 8** Відображення заданої температури морозильної камери в °C.
- 

- 
- 9** есо (морозильна камера) Світиться, якщо увімкнений режим заощадження електроенергії у морозильній камері.
- 

---

## 6 Устаткування.

Комплектація приладу залежить від моделі.

### 6.1 Полиця

Щоб отримати кращий огляд вмісту холодильника і швидше дістати продукти, вийміть полицю. Якщо потрібно переставити полиці, вийміть їх і переставте на інше місце.

→ *"Виймання полиць", Стор. 76*

### 6.2 Полиця для пляшок

Безпечно зберігайте пляшки на полиці для пляшок.

Якщо потрібно переставити полицю для пляшок, вийміть її і переставте на інше місце.

→ *"Виймання полиць", Стор. 76*

### 6.3 Контейнер для зберігання

У контейнері для зберігання підтримується нижча температура, ніж у холодильному відділенні.

Температура тут інколи може опускатися нижче 0 °C.

Щоб температура в контейнері для зберігання була близько 0 °C, встановіть температуру холодильного відділення 2 °C. → *Стор. 70*

Встановлюйте нижчу температуру у контейнері для зберігання продуктів, які швидко псуються, наприклад, риби, м'яса і ковбасних виробів.

## 6.4 Контейнер для фруктів та овочів з регулятором вологості

Зберігайте свіжі фрукти і овочі без упаковки в контейнері для овочів і фруктів.

Накрийте нарізані фрукти та овочі або зберігайте їх у герметичній упаковці.

За допомогою регулятора вологості можна змінювати вологість повітря в контейнері для фруктів та овочів. Завдяки цьому можна зберігати свіжі фрукти та овочі довше порівняно зі звичайним способом зберігання.

→ Мал. 3

Вологість повітря в контейнері для фруктів та овочів можна регулювати залежно від різновиду та кількості закладених продуктів, посунивши регулятор вологості:

- Низька вологість ☹ при зберіганні переважно фруктів і змішаному або високому завантаженні.
- Висока вологість ☺ ☺ при зберіганні переважно овочів та низькому завантаженні.

Залежно від кількості та видів овочів і фруктів, що зберігаються, у контейнері може утворюватися конденсат.

Видаліть конденсат сухою тканиною та встановіть низьку вологість за допомогою регулятора вологості.

Для збереження якості і смаку зберігайте чутливі до холоду фрукти й овочі, такі як ананаси, банани, цитрусові, огірки, кабачки, перець, помідори і картоплю, не у приладі за температури приблизно від 8 °C до 12 °C.

## 6.5 Полиця у дверях

Якщо потрібно переставити полицю у дверях, можна вийняти її і вставити в інше місце.

→ "Виймання полиць у дверях", Стр. 76

## 6.6 Приладдя

Використовуйте оригінальне приладдя. Воно розроблене для вашого приладу.

Приладдя залежить від моделі приладу.

### Поличка для яєць

Для безпечного зберігання яєць використовуйте лоток для яєць.

### Ємність для кубиків льоду

Використовуйте ємність для кубиків льоду для приготування кубиків льоду.

### Приготування кубиків льоду

Використовуйте для приготування кубиків льоду тільки питну воду.

1. Заповніть ємність для кубиків льоду питною водою на  $\frac{3}{4}$  і поставте в морозильну камеру.

Примерзлі до ємності кубики льоду можна відокремлювати тупим предметом, наприклад дерев'яною ручкою ложки.

2. Для виймання кубиків льоду трохи потримайте ємність для кубиків льоду під проточною водою або переверніть її.

## 7 Основні відомості про користування

### 7.1 Увімкнення приладу

1. Підключіть прилад до електромережі. → *Стор. 67*
- ✓ Прилад починає нагнітати холод.
- ✓ Якщо лунає попереджувальний сигнал і блимає "alarm", морозильна камера ще занадто тепла.
2. Вимкніть попереджувальний сигнал за допомогою кнопки регулювання температури (морозильна камера).
- ✓ "alarm" Щойно буде досягнуто налаштованої температури, символ згасне.
3. Задайте бажану температуру. → *Стор. 70*

### 7.2 Вказівки з експлуатації

- При увімкненні приладу встановлена температура буде досягнута лише через декілька годин.  
Не закладайте продукти, поки не буде досягнута встановлена температура.
- Торцеві стінки корпусу час від часу злегка підігріваються. Це запобігає утворенню конденсату в районі ущільнення дверцят.
- Якщо закрити двері, в камері холодильника може з'явитись від'ємний тиск. Відчинити дверцята приладу знову буде досить важко. Зачекайте, поки тиск вирівняється.
- Температура у приладі змінюється через такі умови:
  - Частота відкривання пристрою
  - Об'єм завантаження
  - Температура свіжих закладених продуктів

- Температура довкілля
- Пряме сонячне проміння

### 7.3 Вимкніть прилад

- ▶ Відключіть прилад від мережі живлення. Вийміть штепсельну вилку кабелю живлення з розетки або вимкніть запобіжник на електричному щиті.

### 7.4 Встановлення температури

#### Встановлення температури у холодильному відділенні

- ▶ Натискайте кнопку регулювання температури (холодильне відділення), поки на індикаторі температури (холодильне відділення) не відобразиться потрібне налаштування температури.

Щоб досягти заданої температури, посуňte регулятор температури контейнера для зберігання в положення  $\frac{1}{3}$  знизу.  
→ *Стор. 70*

Рекомендована температура в холодильному відділенні становить 4 °C.

#### Встановлення температури відділення для зберігання

1. Щоб зменшити температуру, перемістіть регулятор температури у положення **extra cold**.
2. Щоб збільшити температуру, перемістіть регулятор температури у положення **cold**.

→ *Мал. 4*

#### Встановлення температури у морозильній камері

- ▶ Натискайте кнопку регулювання температури (морозильна камера), поки на індикаторі

температури (морозильна камера) не відобразиться потрібне налаштування температури.

Рекомендована температура у морозильній камері становить  $-18^{\circ}\text{C}$ .

## 8 Додаткові опції

Ознайомтесь, які додаткові опції має ваш прилад.

### 8.1 Охолодження з функцією «Супер»

У режимі Охолодження з функцією «Супер» в холодильному відділенні встановлюється найнижча можлива температура.

Вмикайте Охолодження з функцією «Супер» перед тим, як зберігати велику кількість продуктів у холодильній камері.

**Зауваження:** Якщо увімкнено Охолодження з функцією «Супер», рівень шуму може бути вищим за звичайний.

#### Увімкнення Охолодження з функцією «Супер»

- ▶ Натискайте кнопку налаштування температури (холодильне відділення), поки не засвітиться "super" (холодильне відділення).

**Зауваження:** Приблизно через 6 годин прилад повертається в нормальний режим роботи.

#### Вимкнення Охолодження з функцією «Супер»

- ▶ Натискайте кнопку регулювання температури (холодильне відділення), поки на індикаторі температури (холодильне відділення) не відобразиться потрібне налаштування температури.

### 8.2 Заморожування з функцією «Супер»

У режимі Заморожування з функцією «Супер» в морозильній камері встановлюється найнижча можлива температура.

Увімкніть Заморожування з функцією «Супер» на 4-6 годин, перш ніж закладати більше 2 кг продуктів у морозильну камеру.

Використовуйте режим Заморожування з функцією «Супер», щоб скористатися можливостями заморожування.

→ "Умови, необхідні для використання максимальної заморожувальної здатності", Стор. 74

**Зауваження:** Якщо увімкнено Заморожування з функцією «Супер», рівень шуму може бути вищим за звичайний.

#### Увімкніть Заморожування з функцією «Супер»

- ▶ Натискайте кнопку налаштування температури (морозильна камера), поки не засвітиться "super" (морозильна камера).

**Зауваження:** Приблизно через 60 годин прилад повертається в нормальний режим роботи.

#### Вимкніть Заморожування з функцією «Супер»

- ▶ Натискайте кнопку регулювання температури (морозильна камера), поки на індикаторі температури (морозильна камера) не відобразиться потрібне налаштування температури.

## 8.3 Енергоощадний режим

Енергоощадний режим дає змогу заощаджувати енергію. Прилад автоматично регулює температуру.

Холодильне відділення	8 °С
Морозильна камера	-16 °С

### Увімкнення енергоощадного режиму

- ▶ Натискайте кнопку налаштування температури, поки не засвітиться "есо".

### Вимкнення енергоощадного режиму

- ▶ Натискайте кнопку налаштування температури, поки на індикаторі температури не відобразиться потрібна температура.

## 9 Попереджувальний сигнал

### 9.1 Сигнал попередження про відчинені дверцята

Якщо дверцята приладу надовго залишили відчиненими, вмикається попереджувальний сигнал. Лунає попереджувальний сигнал і світиться "alarm".

#### Вимкнення звукового сигналу попередження про відчинені дверцята

- ▶ Зачиніть дверцята приладу.
- ✓ Звуковий сигнал вимикається.

### 9.2 Сигнал попередження про недопустиму температуру

Сигнал попередження про недопустиму температуру вмикається, якщо у морозильній камері стає занадто тепло. Лунає попереджувальний сигнал та блимає "alarm".

#### УВАГА Небезпека шкоди здоров'ю!

При розморожуванні в продуктах можуть почати розмножуватись бактерії, що призводять до псування продуктів.

- ▶ Не можна повторно заморозувати повністю або частково розморожені продукти.
- ▶ Знову заморозувати продукти можна лише після термічної обробки.
- ▶ Максимально допустима тривалість зберігання таких продуктів скорочується.

Попередження про недопустиму температуру може вмикатися у наступних випадках:

- Під час введення приладу в експлуатацію.  
Завантажуйте продукти лише після досягнення встановленої температури.
- Після закладання великої кількості свіжих продуктів.  
Перед закладанням великої кількості продуктів увімкніть заморожування з функцією «Супер».
- Дверцята морозильної камери були занадто довго відкриті.  
Перевірте, чи заморожені продукти не відтанули або не розморозились.



## Вимкнення сигналу попередження про недопустиму температуру

- ▶ Натисніть кнопку налаштування температури (морозильна камера).
- ✓ Звуковий сигнал вимикається.

---

## 10 Холодильне відділення

У холодильному відділенні можна зберігати м'ясо, ковбасу, рибу, молочні продукти, яйця, попередньо оброблені страви та хлібобулочні вироби.

Температура регулюється в діапазоні від 2 °С до 8 °С.

В холоднику можна впродовж нетривалого терміну зберігати навіть продукти, що швидко псуються. Чим нижча температура вибрана, тим довше продукти залишаються свіжими.

### 10.1 Поради щодо зберігання продуктів у холодильному відділенні

- Закладайте лише свіжі та непошкоджені продукти.
- Зберігайте продукти в щільній упаковці або накритими.
- Щоб не порушити циркуляцію повітря та запобігти заморожуванню продуктів, не розміщуйте їх перед внутрішніми вентиляційними отворами або впритул біля задньої стінки морозильного відділення.
- Теплі страви та напої слід спочатку охолодити.
- Звертайте увагу на зазначені виробниками терміни придатності або строки зберігання.

## 10.2 Температурні зони в холодильному відділенні

Циркуляція повітря в холодильному відділенні створює різні температурні зони.

### Найхолодніша зона

Найхолодніша зона знаходиться в контейнері для зберігання.

**Порада:** В найхолоднішій зоні слід зберігати продукти, які швидко псуються (наприклад, рибу, ковбасні вироби та м'ясо).

### Найтепліша зона

Найтепліша зона — у верхній частині дверцят.

**Порада:** Зберігайте в зоні найвищої температури продукти з тривалим терміном зберігання, наприклад, твердий сир та вершкове масло. Таким чином, аромат сиру продовжуватиме розкриватись, а консистенція вершкового масла залишатиметься м'якою.

---

## 11 Морозильна камера

У морозильній камері можна зберігати заморожені продукти, заморожувати продукти і готувати кубики льоду.

Температура регулюється в діапазоні від -16 °С до -24 °С.

Для довготривалого зберігання продуктів харчування підходить температура не вище -18 °С.

Зберігання продуктів замороженими дозволяє протягом тривалого часу зберігати продукти, що швидко псуються. Низькі температури сповільнюють або запобігають псуванню продуктів.

## 11.1 Заморожувальна здатність

Заморожувальна здатність — це кількість продуктів, які можна глибоко заморозити впродовж декількох годин.

Дані заморожувальної здатності зазначено на фірмовій табличці.

→ Мал. 1/6

### Умови, необхідні для використання максимальної заморожувальної здатності

1. Прибл. за 24 години до закладання свіжих продуктів увімкніть Заморожування з функцією «Супер».  
→ "Увімкніть Заморожування з функцією «Супер»", Стор. 71
2. Спочатку покладіть продукти у нижній контейнер для заморожених продуктів.

## 11.2 Максимальне використання площі морозильної камери

Ознайомтесь, як розмістити максимальну кількість продуктів у морозильній камері.

1. Вийміть всі елементи оснащення з морозильної камери.  
→ Стор. 76
2. Розмістіть продукти безпосередньо на полицях і дні морозильного відділення.

## 11.3 Поради щодо зберігання продуктів у морозильній камері

- Зберігайте продукти в герметичній упаковці.
- Заморожені продукти не мають торкатися вже заморожених.

- Продукти у контейнерах для заморожених продуктів слід розподіляти якомога рівномірніше.
- Щоб повітря могло безпешко циркулювати в приладі, встановлюйте контейнер для заморожених продуктів до упору.

## 11.4 Поради щодо заморожування свіжих продуктів

- Заморожуйте лише свіжі продукти харчування, які не мають ознак псування.
- Заморожуйте продукти порційно.
- Попередньо оброблені продукти підходять краще, ніж сирі.
- Перед заморожуванням вимийте, наріжте і збланшуйте овочі.
- Перед заморожуванням фруктів помийте їх, видаліть зерна/кісточки, за потреби зніміть шкірку/почистіть, за потреби додайте цукор або розчин лимонної кислоти.
- До продуктів, придатних для заморожування, належать хлібобулочні вироби, риба і морепродукти, м'ясо, дичина та птиця, яйця без шкаралупи, сир, вершкове масло, готові страви і залишки готових страв.
- До продуктів, непридатних для заморожування, належать салат, редис, яйця в шкаралупі, виноград, сирі яблука і груші, йогурт, сметана, вершки і майонез.

## Упакування заморожених продуктів

Відповідний матеріал упаковки і правильний тип упаковки необхідні для підтримання якості продукту і запобігання опіку від заморожування.

1. Покладіть продукти в упаковку.
2. Витисніть повітря.

3. Герметично закрийте упаковку, щоб продукти не втратили смак і не висохли.
4. Напишіть на упаковці вміст та дату заморожування.

### 11.5 Термін зберігання заморожених продуктів при $-18^{\circ}\text{C}$

Продукт	Час зберігання
Риба, ковбасні вироби, попередньо оброблені страви, хлібобулочні вироби	до 6 місяців
Птиця, м'ясо	до 8 місяців
Овочі, фрукти	до 12 місяців

У друкованому календарі строків зберігання зазначено максимальні строки зберігання продуктів за постійної температури  $-18^{\circ}\text{C}$  (у місяцях).

### 11.6 Способи розморожування заморожених продуктів

#### УВАГА

#### Небезпека шкоди здоров'ю!

При розморожуванні в продуктах можуть почати розмножуватись бактерії, що призводять до псування продуктів.

- ▶ Не можна повторно заморожувати повністю або частково розморожені продукти.
- ▶ Знову заморожувати продукти можна лише після термічної обробки.
- ▶ Максимально допустима тривалість зберігання таких продуктів скорочується.

- Розморожуйте у холодильному відділенні продукти тваринного походження, наприклад, рибу, м'ясо і сир.
- Розморожуйте хліб за кімнатної температури.
- Продукти для негайного вживання приготуйте у мікрохвильовій печі, духовій шафі або на варильній поверхні.

## 12 Розморожування

### 12.1 Розморожування у холодильному відділенні

Холодильне відділення розморожується автоматично.

### 12.2 Розморожування в морозильній камері

Автоматична система «NoFrost» запобігає обледенінню морозильної камери. Розморожувати прилад не потрібно.

## 13 Чищення та догляд

Щоб прилад працював довго, слід ретельно чистити його й доглядати за ним.

Чистити важкодоступні місця можна тільки сервісній службі. Чищення силами спеціалістів сервісної служби може бути платне.

### 13.1 Підготовка приладу до очищення

1. Відключіть прилад від мережі живлення.

Вийміть штепсельну вилку кабелю живлення з розетки або вимкніть запобіжник на електричному щиті.

2. Вийміть усі продукти та покладіть їх у прохолодне місце.  
За наявності покладіть на продукти акумулятор холоду.
3. Вийміть всі елементи устаткування та деталі приладдя з приладу.  
→ *Стор. 76*

## 13.2 Чищення приладу

### **УВАГА!**

#### **Небезпека ураження електричним струмом!**

Рідина, що витекла, може спричинити ураження електричним струмом.

- ▶ Не можна чистити прилад за допомогою парового або високо-тискового приладу.

Рідини, що потрапляють в систему освітлення, на елементи управління або у внутрішні вентиляційні отвори, становлять небезпеку.

- ▶ Не допускайте потрапляння води для миття в систему освітлення, на елементи управління або у внутрішні вентиляційні отвори.

### **УВАГА!**

Непридатні засоби для чищення можуть пошкоджувати поверхні приладу.

- ▶ Не застосовуйте жорсткі або металеві губки.
- ▶ Не застосовуйте гострі чи абразивні засоби для чищення.
- ▶ Не застосовуйте засоби чищення, що мають високий вміст спирту.

При митті елементів устаткування та приладдя в посудомийній машині вони можуть деформуватися або змінити колір.

- ▶ Забороняється мити елементи оснащення та приладдя у посудомийній машині.
1. Підготуйте прилад до очищення.  
→ *Стор. 75*
  2. Очистіть прилад, елементи оснащення, деталі приладдя та ущільнення дверцят за допомогою ганчірки і теплої води з невеликою кількістю мийного засобу з нейтральним рН.
  3. Після цього ретельно витріть поверхню насухо м'яким рушником.
  4. Встановіть елементи оснащення.
  5. Підключіть прилад до електромережі. → *Стор. 67*
  6. Закладіть продукти.

## 13.3 Виймання елементів устаткування

Якщо потрібно ретельно очистити елементи устаткування, вийміть їх з приладу.

### **Виймання полиць**

- ▶ Витягніть, підніміть і зніміть полицю.  
→ *Мал. 5*

### **Виймання полиць у дверях**

- ▶ Підніміть полицю у дверях та вийміть.  
→ *Мал. 6*

### **Виймання контейнера для зберігання**

1. Витягніть контейнер для зберігання до упору.

2. Підніміть контейнер для зберігання спереду ① та вийміть ②.  
→ Мал. **7**

### **Виймання контейнера для фруктів та овочів**

1. Витягніть контейнер для фруктів та овочів до упору.
2. Підніміть контейнер для фруктів та овочів спереду ① та вийміть ②.  
→ Мал. **8**

### **Виймання контейнера для заморожених продуктів**

1. Витягніть контейнер для заморожених продуктів до упору.
2. Підніміть контейнер для заморожених продуктів спереду ① та вийміть ②.  
→ Мал. **9**

### **Знімання переднього контейнера**

Для кращого очищення ви можете зняти контейнер, розташований перед контейнером для фруктів і овочів.

- ▶ Притисніть бічні фіксатори контейнера ① і зніміть передній контейнер з основного контейнера, обернувши його ②.  
→ Мал. **10**

## 14 Усунення несправностей

Незначні несправності приладу можна усувати власноруч. Перш ніж звертатися до сервісної служби, скористайтеся відомостями про усунення несправностей. Так можна уникнути зайвих витрат.

### УВАГА!

#### Небезпека ураження електричним струмом!

Ремонтні роботи, виконані неналежним чином, можуть скласти небезпеку для користувача.

- ▶ Ремонтувати прилад дозволено тільки фахівцям.
- ▶ Для ремонту приладу дозволяється використовувати лише оригінальні запчастини.
- ▶ Щоб уникнути небезпек, у разі пошкодження кабелю живлення цього приладу його заміну має виконувати виробник, сервісний центр або особа з відповідною кваліфікацією.

Несправність	Причина та усунення несправностей
Прилад не охолоджує, індикації та освітлення світяться.	Активовано виставковий режим. <ul style="list-style-type: none"> <li>▶ Утримуйте кнопку регулювання температури (холодильне відділення) 9-11 секунд, поки не пролунає звуковий сигнал.</li> </ul>
Світлодіодне освітлення не працює.	Можливі різні причини. <ul style="list-style-type: none"> <li>▶ Зателефонуйте до сервісної служби. Номер сервісної служби можна знайти в доданому переліку сервісних служб.</li> </ul>
Бокові стінки приладу теплі.	Не є несправністю. У бічних стінках пролягають труби, що нагріваються в процесі охолодження. Це тепло не шкодить меблям, що торкаються приладу. Жодні дії не потрібні.
Лунає попереджувальний сигнал та блимає "alarm".	Можливі різні причини. <ul style="list-style-type: none"> <li>▶ Натисніть кнопку налаштування температури (морозильна камера).</li> <li>✓ Попереджувальний сигнал вимикається.</li> </ul>
	Дверцята приладу відчинено. <ul style="list-style-type: none"> <li>▶ Закрийте дверцята приладу.</li> </ul>
	Зовнішні вентиляційні отвори перекрито. <ul style="list-style-type: none"> <li>▶ Приберіть перешкоди перед зовнішніми вентиляційними отворами.</li> </ul>
	Закладено багато свіжих продуктів. <ul style="list-style-type: none"> <li>▶ Не перевищуйте здатність заморожування. → "Заморожувальна здатність", Стор. 74</li> </ul>

Несправність	Причина та усунення несправностей
<p>Не досягається встановлена температура.</p> <p>Режим повністю автоматичного розморожування більше не працює.</p>	<p>Дверцята морозильної камери були надто довго відчинені. Випарник (генератор холоду) системи NoFrost сильно обледенів.</p> <p><b>Вимога:</b> Заморожені продукти мають бути щільно упакованими та зберігатися у прохолодному місці.</p> <ol style="list-style-type: none"> <li>1. Вимкніть прилад. → <i>Стор. 70</i></li> <li>2. Відключіть прилад від мережі живлення. <ul style="list-style-type: none"> <li>Витягніть мережевий штекер мережного кабелю або відключіть запобіжник у розподільному блоці.</li> </ul> </li> <li>3. Відсуньте прилад від стіни.</li> <li>4. Залиште дверцята приладу відчиненими.</li> <li>✓ Приблизно через 20 хвилин тала вода почне стікати до випарного піддона на задній стінці приладу. <ul style="list-style-type: none"> <li>→ <i>Мал. 11</i></li> </ul> </li> <li>5. Щоб запобігти переповненню випарного піддона, зберіть талу воду губкою. <ul style="list-style-type: none"> <li>Якщо тала вода перестане стікати до випарного піддона, це значить, що випарник розморожений.</li> </ul> </li> <li>6. Очистіть прилад зсередини. → <i>Стор. 76</i></li> <li>7. Знову увімкніть прилад. → <i>Стор. 70</i></li> </ol>
<p>Фактичний рівень температури значно відрізняється від установленого.</p>	<p>Можливі різні причини.</p> <ol style="list-style-type: none"> <li>1. Вимкніть прилад. → <i>Стор. 70</i></li> <li>2. Через прибл. 5 хвилин знову увімкніть прилад. → <i>Стор. 70</i> <ul style="list-style-type: none"> <li>– Якщо температура зависока, знову перевірте температуру через кілька годин.</li> <li>– Якщо температура занизька, знову перевірте температуру наступного дня.</li> </ul> </li> </ol>
<p>На поверхні приладу та на полицях у приладі утворюється конденсат.</p>	<p>Вода, що міститься в теплому і вологому повітрі, конденсується на холодніших поверхнях приладу.</p> <ol style="list-style-type: none"> <li>1. Витріть воду м'яким сухим рушником.</li> <li>2. Відкривайте прилад на якомога короткий час.</li> <li>3. Стежте, щоб холодильник завжди був закритий належним чином.</li> </ol>
<p>Прилад гуде, булькає, деренчить, клацає або тріщить.</p>	<p>Не є несправністю. Працює двигун, наприклад, холодильного агрегату, вентилятора. Холодагент тече по трубах. Вмикається чи вимикається двигун, перемикач або електромагнітні клапани. Триває автоматичне розморожування. Жодні дії не потрібні.</p>

Несправність	Причина та усунення несправностей
Прилад шумить.	Прилад стоїть нерівно. ▶ Вирівняйте прилад за допомогою ватерпаса та різьбових ніжок.
	Прилад не стоїть окремо. ▶ Дотримуйтеся мінімальних відстаней до приладу.
	Елементи устаткування хитаються або застрягають. ▶ Перевірте висувні елементи оснащення і встановіть їх на місце.
	Пляшки або ємності торкаються одна одної. ▶ Розмістіть пляшки або інші ємності так, щоб між ними був проміжок.
	Увімкнено Заморожування з функцією «Супер». Жодні дії не потрібні.



## 14.1 Порушення електропостачання

Під час відключення електроживлення температура всередині приладу підвищується, що скорочує час зберігання і знижує якість заморожених продуктів.

На нашому веб-сайті для вашого приладу ви знайдете у технічних даних час зберігання заморожених продуктів у разі несправності.

### Вказівки

- У разі збою в подачі електроенергії відкривайте прилад якомога рідше і не закладайте нові продукти.
- Перевірте якість продуктів відразу після відключення електроенергії.
  - Утилізуйте продукти, які розтанули або мають температуру понад 5 °C.
  - Зваріть або запечіть продукти, що злегка розтанули, або вжуйте їх чи знову заморозьте.

## 15 Зберігання й утилізація

### 15.1 Виведення приладу з експлуатації

1. Відключіть прилад від мережі живлення.  
Вийміть штепсельну вилку кабелю живлення з розетки або вимкніть запобіжник на електричному щиті.
2. Вийміть усі продукти.
3. Очистіть прилад. → *Стор. 76*
4. Для забезпечення вентиляції приладу зсередини залиште його відчиненим.

### 15.2 Утилізація старих приладів

Екологічна утилізація дає змогу повторно використовувати цінну сировину.

#### УВАГА!

#### Небезпека шкоди здоров'ю!

Діти можуть зачинитися в приладі й потрапити в небезпечну для життя ситуацію.

- ▶ Щоб дітям було важче забратися всередину приладу, не виймайте з нього полиці й контейнери.
- ▶ Не підпускайте дітей до приладу, що відпрацював свій строк служби.

#### УВАГА!

#### Небезпека пожежі!

Пошкодження труб може призвести до витoku і займання легкозаймистого холодоагенту і шкідливих газів.

- ▶ Бережіть труби холодильного контуру, а також ізоляцію від пошкоджень.

1. Витягніть штепсельну вилку кабелю живлення.
2. Переріжте кабель живлення.
3. Утилізуйте прилад екологічним способом.

Інформацію щодо актуальних способів утилізації можна отримати у продавця приладу або органів місцевого самоврядування.



Цей прилад марковано згідно положень європейської Директиви 2012/19/EU стосовно електронних та електроприладів, що були у використанні (waste electrical and

electronic equipment - WEEE). Директивою визначаються можливості, які є дійсними у межах Європейського союзу, щодо прийняття назад та утилізації бувших у використанні приладів.

---

---

## 16 Сервісні центри

Докладніші відомості про термін і умови гарантії у вашій країні можна отримати в сервісній службі, у дилера й на нашому сайті.

Звертаючись до сервісного центру, назвіть номер виробу (E-Nr.) і заводський номер (FD) приладу.

Виробник: "БСХ Хаузгерете ГмбХ"  
вул. Карл-Вері-Штрассе, 34, м. Мюнхен, 81739, Німеччина

Імпортер: ТОВ "БСХ Побутова Техніка", 03124, м.Київ,

вул.Волноваська, 10/14 корп.Б,  
Україна

Контактні дані сервісного центру можна знайти в долученому довіднику або на нашому сайті.

### 16.1 Номер виробу (E-Nr.) і заводський номер (FD)

Номер виробу (E-Nr.) і заводський номер (FD) приладу наведено на заводській табличці.

→ Мал. **1** / **6**

Щоб мати змогу швидко знайти відомості про прилад і телефонний номер сервісного центру, ці дані можна записати.

---

## 17 Технічні характеристики

Тип холодоагенту, корисний об'єм та інші технічні дані зазначено на паспортній табличці.

→ Мал. **1** / **6**





## Thank you for buying a Bosch Home Appliance!

Register your new device on MyBosch now and profit directly from:

- **Expert tips & tricks for your appliance**
- **Warranty extension options**
- **Discounts for accessories & spare-parts**
- **Digital manual and all appliance data at hand**
- **Easy access to Bosch Home Appliances Service**

Free and easy registration – also on mobile phones:

**[www.bosch-home.com/welcome](http://www.bosch-home.com/welcome)**



## Looking for help? You'll find it here.

Expert advice for your Bosch home appliances, help with problems or a repair from Bosch experts.

Find out everything about the many ways Bosch can support you:

**[www.bosch-home.com/service](http://www.bosch-home.com/service)**

Contact data of all countries are listed in the attached service directory.

### **BSH Hausgeräte GmbH**

Carl-Wery-Straße 34  
81739 München, GERMANY  
[www.bosch-home.com](http://www.bosch-home.com)

A Bosch Company



**9001859114** (031113)

en, ru, uk