



**Register** your  
new device on  
MyBosch now and  
get free benefits:  
[bosch-home.com/  
welcome](https://bosch-home.com/welcome)



# Warming drawer

**BIC510N.0**

**BID510N.0**

[en] User manual and installation instructions  
[ar] دليل المستخدم وتعليمات التركيب

2  
11

# Table of contents

## INFORMATION FOR USE

1	<b>Safety</b> .....	2
2	<b>Preventing material damage</b> .....	3
3	<b>Environmental protection and saving energy</b> .....	3
4	<b>Familiarising yourself with your appliance</b> .....	4
5	<b>Before using for the first time</b> .....	4
6	<b>Tableware</b> .....	4
7	<b>Basic operation</b> .....	5
8	<b>Preheating tableware</b> .....	5
9	<b>Keeping food warm</b> .....	5
10	<b>Cleaning and servicing</b> .....	6
11	<b>Troubleshooting</b> .....	6
12	<b>How it works</b> .....	7
13	<b>Customer Service</b> .....	8
14	<b>INSTALLATION INSTRUCTIONS</b> .....	9
14.4	<b>Safe installation</b> .....	10

## 1 Safety

Observe the following safety instructions.

### 1.1 General information

- Read this instruction manual carefully.
- Keep the instruction manual and the product information safe for future reference or for the next owner.
- Do not connect the appliance if it has been damaged in transit.

### 1.2 Intended use

This appliance is designed only to be built into kitchen units. Read the special installation instructions.

Only a licensed professional may connect appliances without plugs. Damage caused by incorrect connection is not covered under the warranty.

Only use this appliance:

- To keep food warm and to warm cookware.
- In private households and in enclosed spaces in a domestic environment.

- Up to an altitude of max. 4000 m above sea level.

Do not use the appliance:

- On boats or in vehicles.
- with an external timer or a remote control.

### 1.3 Restriction on user group

This appliance may be used by children aged 8 or over and by people who have reduced physical, sensory or mental abilities or inadequate experience and/or knowledge, provided that they are supervised or have been instructed on how to use the appliance safely and have understood the resulting dangers.

Do not let children play with the appliance.

Children must not perform cleaning or user maintenance unless they are at least 15 years old and are being supervised.

Keep children under the age of 8 years away from the appliance and power cable.

### 1.4 Safe use

#### **WARNING – Risk of fire!**

The inside of the appliance gets very hot and may cause flammable materials to ignite.

- ▶ Never place flammable objects or plastic containers in the appliance.

#### **WARNING – Risk of burns!**

The accessories and cookware become very hot during operation.

- ▶ Always use oven gloves when removing hot accessories or cookware from the appliance.

The inside of the appliance becomes very hot during operation.

- ▶ Never touch the inside of the appliance while it is hot.
  - ▶ Keep children away from the appliance.
- The appliance becomes hot during operation.
- ▶ Allow the appliance to cool down before cleaning.

#### **WARNING – Risk of electric shock!**

Incorrect repairs are dangerous.

- ▶ Repairs to the appliance should only be carried out by trained specialist staff.
- ▶ Only use genuine spare parts when repairing the appliance.
- ▶ If the power cord of this appliance is damaged, it must be replaced by trained specialist staff.

If the insulation of the power cord is damaged, this is dangerous.

- ▶ Never let the power cord come into contact with hot appliance parts or heat sources.
- ▶ Never let the power cord come into contact with sharp points or edges.
- ▶ Never kink, crush or modify the power cord.

An ingress of moisture can cause an electric shock.

- ▶ Do not use steam- or high-pressure cleaners to clean the appliance.

If the appliance or the power cord is damaged, this is dangerous.

- ▶ Never operate a damaged appliance.
- ▶ Never pull on the power cord to unplug the appliance. Always unplug the appliance at the mains.

- ▶ If the appliance or the power cord is damaged, immediately unplug the power cord or switch off the fuse in the fuse box.
- ▶ Call customer services. → *Page 8*

**⚠ WARNING – Risk of suffocation!**

Children may put packaging material over their heads or wrap themselves up in it and suffocate.

- ▶ Keep packaging material away from children.
- ▶ Do not let children play with packaging material.

Children may breathe in or swallow small parts, causing them to suffocate.

- ▶ Keep small parts away from children.
- ▶ Do not let children play with small parts.

---

## 2 Preventing material damage

### **ATTENTION!**

Excessive weight may damage the appliance.

- ▶ The appliance has a maximum load capacity of 15 kg.

Moisture may damage the appliance.

- ▶ Do not use the appliance to store food and drinks. The humidity of the food may cause corrosion damage.

---

## 3 Environmental protection and saving energy

### 3.1 Disposing of packaging

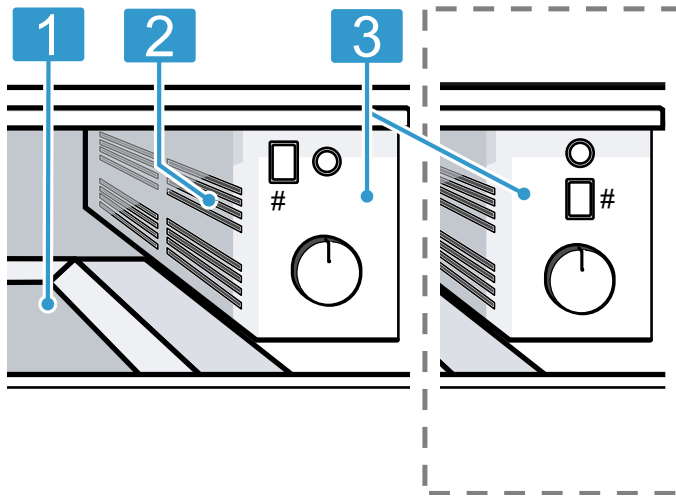
The packaging materials are environmentally compatible and can be recycled.

- ▶ Sort the individual components by type and dispose of them separately.

## 4 Familiarising yourself with your appliance

### 4.1 Appliance

You can find an overview of the parts of your appliance here.

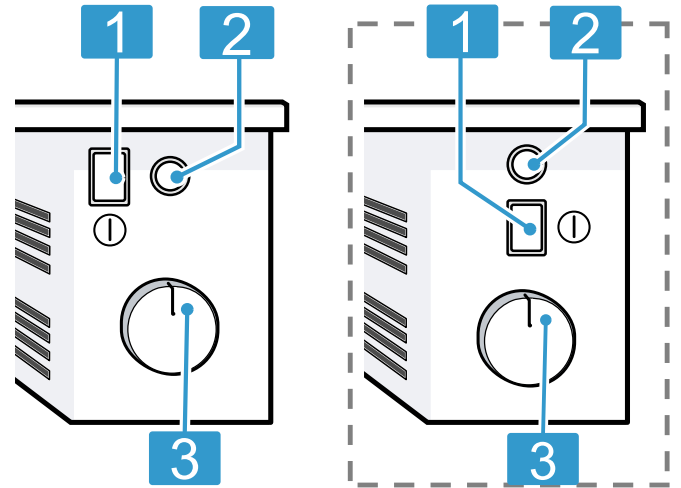


On certain models, specific details such as the colour and shape may differ from those pictured.

- 1** Surface area with anti-slip mat
- 2** Fan and heating
- 3** Controls

### 4.2 Controls

You can use the control panel to configure all functions of your appliance and to obtain information about the operating status.



- 1** Main switch
- 2** Operation indicator
- 3** Temperature selector

## 5 Before using for the first time

Configure the settings for initial start-up. Clean the appliance and accessories.

### 5.1 Cleaning and heating up the appliance before using it for the first time

1. Clean the appliance.

2. Remove the accessories.
3. Heat up the appliance at 80 °C for one hour.
  - ✓ Smoke development and odour development are normal.

## 6 Tableware

These instructions help you to avoid damaging your tableware.

### 6.1 Suitable tableware

The warming drawer has a maximum load capacity of 15 kg. You can use it to preheat the place settings for 6 or 12 people, for example.

Drawer – 14 cm		Drawer – 29 cm	
6 dinner plates	24 cm diameter	12 dinner plates	24 cm diameter
6 soup bowls	10 cm diameter	12 soup bowls	10 cm diameter
1 bowl	19 cm diameter	1 bowl	22 cm diameter
1 bowl	17 cm diameter	1 bowl	19 cm diameter
1 meat platter	32 cm	1 bowl	17 cm diameter
		2 meat platters	32 cm

## 7 Basic operation

### 7.1 Opening the appliance

- ▶ Press on the centre of the warming drawer.
- ✓ The warming drawer pops open and can be pulled out.

### 7.2 Closing the appliance

- ▶ Press on the centre of the warming drawer and push it back in.

### 7.3 Switching on the appliance

- ▶ Press ①.

### 7.4 Switching off the appliance

- ▶ Press ①.

### 7.5 Setting the temperature

- ▶ Set the temperature to any value between **MIN**, **MED** and **MAX**.

## 8 Preheating tableware

Food does not cool down as quickly on preheated tableware. Drinks also remain warm for longer.

### 8.1 Starting the "Preheat tableware" function

#### **WARNING – Risk of burns!**

Drinking vessels become very hot at high temperatures.

- ▶ For drinking vessels, set the settings **MIN** to **MED**.
1. Place an anti-slip mat at the bottom of the drawer to prevent the tableware scratching the interior surface of the drawer.
  2. Place the tableware in the warming drawer.
    - Distribute the tableware across the entire bottom of the warming drawer to reduce the preheating time.

Do not block the ventilation opening with tall items of tableware or stacks of plates. Keeping the ventilation opening clear ensures that hot air can circulate efficiently.

3. Turn the temperature selector to set the required temperature.
 

A setting of up to **MAX** is suitable for tableware. For drinking vessels, the settings from **MIN** to **MED** are suitable.
4. Switch on the appliance.
  - ✓ The operation indicator lights up, the appliance heats up and the fan runs.
5. Close the warming drawer.

**Note:** The preheating time depends on the material, thickness, quantity and distribution of the tableware. For place settings for 6 people, the preheating time is approx. 15-25 minutes.

### 8.2 Ending the "Preheat cookware" function

#### **WARNING – Risk of burns!**

The accessories and/or cookware become very hot during operation.

- ▶ Always use oven gloves to remove accessories or cookware from the cooking compartment.
1. Open the warming drawer.
  2. Switch off the appliance.
  3. Remove the cookware.

## 9 Keeping food warm

You can use the warming drawer to keep food warm for a certain period of time.

We advise against keeping food warm for longer than an hour. Suitable food includes meat, poultry, fish, sauces, vegetables, side dishes and soups.

### 9.1 Starting the "Keep food warm" function

#### **ATTENTION!**

Hot cookware from the hob damages the anti-slip mat in the warming drawer.

- ▶ Never take hot pots and pans off the hob and place them directly on the anti-slip mat.
1. Place an anti-slip mat at the bottom of the drawer to prevent the tableware scratching the interior surface of the drawer.

The anti-slip mat is food-safe. Dry food can be heated directly on the anti-slip mat in the warming drawer. The anti-slip mat must then be cleaned.

2. Place the tableware in the warming drawer.
3. Turn the temperature selector to set the required temperature.
4. Switch on the appliance.
  - ✓ The operation indicator lights up, the appliance heats up and the fan runs.
5. Preheat the tableware for approx. 10 minutes.
6. Place food into the preheated tableware.
  - Do not completely fill the tableware with food to prevent any content from spilling out when you open and close the warming drawer.
  - Cover food which dries out easily with a heat-resistant lid or aluminium foil.
7. Close the warming drawer.

## 9.2 Ending the "Keep food warm" function

### **WARNING – Risk of burns!**

The accessories and/or cookware become very hot during operation.

- ▶ Always use oven gloves to remove accessories or cookware from the cooking compartment.

1. Open the warming drawer.
2. Switch off the appliance.
3. Remove the cookware.

---

# 10 Cleaning and servicing

To keep your appliance working efficiently for a long time, it is important to clean and maintain it carefully.

## 10.1 Cleaning products

You can obtain suitable cleaning products from after-sales service or the online shop.

### **ATTENTION!**

Unsuitable cleaning products may damage the surfaces of the appliance.

- ▶ Do not use harsh or abrasive detergents.
- ▶ Do not use cleaning products with a high alcohol content.
- ▶ Do not use hard scouring pads or cleaning sponges.
- ▶ Only use glass cleaners, glass scrapers or stainless steel care products if recommended in the cleaning instructions for the relevant part.
- ▶ Wash sponge cloths thoroughly before use.

## 10.2 Cleaning the appliance

### **WARNING – Risk of electric shock!**

An ingress of moisture can cause an electric shock.

- ▶ Do not use steam- or high-pressure cleaners to clean the appliance.

### **WARNING – Risk of burns!**

The appliance becomes hot during operation.

- ▶ Allow the appliance to cool down before cleaning.

**Requirement:** The appliance is switched off.

1. Clean the appliance with a damp cloth and a neutral cleaning agent, such as washing-up liquid and water.
2. Dry with a soft cloth.

## 10.3 Cleaning the stainless steel surfaces

1. Always remove limescale, grease, starch or albumin stains immediately.  
Corrosion may form under such stains.
2. Clean with water and some washing-up liquid.
3. Dry with a soft cloth.

## 10.4 Cleaning the glass front

- ▶ Clean the glass front using a glass cleaning product and a soft cloth.
  - Do not use any abrasive sponges that may scratch or any glass scrapers.

## 10.5 Cleaning the anti-slip mat

1. Remove the anti-slip mat to clean it.
2. Clean the anti-slip mat with washing-up liquid.

---

# 11 Troubleshooting

You can rectify minor faults on your appliance yourself. Read the troubleshooting information before contacting after-sales service. This will avoid unnecessary costs.

### **WARNING – Risk of injury!**

Improper repairs are dangerous.

- ▶ Repairs to the appliance should only be carried out by trained specialist staff.
- ▶ If the appliance is defective, call Customer Service.

### **WARNING – Risk of electric shock!**

Incorrect repairs are dangerous.

- ▶ Repairs to the appliance should only be carried out by trained specialist staff.
- ▶ Only use genuine spare parts when repairing the appliance.
- ▶ If the power cord of this appliance is damaged, it must be replaced by trained specialist staff.

## 11.1 Malfunctions

Fault	Cause and troubleshooting
The cookware or food is not heating up.	There has been a power cut. <ul style="list-style-type: none"><li>▶ Check whether the lighting in your kitchen or other appliances are working.</li></ul>
	The appliance is switched off. <ul style="list-style-type: none"><li>▶ Switch the appliance on.</li></ul>
	The warming drawer is not completely closed. <ul style="list-style-type: none"><li>▶ Close the warming drawer.</li></ul>

<b>Fault</b>	<b>Cause and troubleshooting</b>
The appliance is not working.	The circuit breaker is faulty. ▶ Check the circuit breaker in the fuse box.
The cookware or food does not get warm enough.	The cookware or food has not been heated for long enough. ▶ Heat the cookware or the food for a longer period of time.
	The warming drawer is not completely closed. ▶ Close the warming drawer.
	The warming drawer was open for a long time. ▶ Close the warming drawer.
	The warming drawer was not adequately preheated. ▶ Preheat the warming drawer sufficiently.
	The ventilation opening has been blocked by tableware. ▶ Remove tall tableware from the ventilation opening.
The operation indicator light does not light up.	The operation indicator light is defective. ▶ Call the after-sales service. → "Customer Service", Page 8
The fuse in the fuse box has blown.	The circuit breaker is faulty. ▶ Pull out the mains plug. ▶ Call the after-sales service. → "Customer Service", Page 8

## 12 How it works

Here, you can find the ideal settings for various dishes as well as the best accessories and cookware. We have tailored these recommendations to your appliance.

### 12.1 Recommended settings

The following settings have been specially tested for your appliance.

#### Tableware and drinking vessels

<b>Dish</b>	<b>Preheating the drawer</b>	<b>Preheating tableware</b>	<b>Level</b>	<b>Information</b>
Plates, soup bowls, bowls	No	Not applicable	<b>MAX</b>	
Espresso cups, coffee cups	No	Not applicable	<b>MED</b>	

#### Defrosting frozen foods

<b>Dish</b>	<b>Preheating the drawer</b>	<b>Preheating tableware</b>	<b>Level</b>	<b>Information</b>
Cream cakes, butter, sausages, cheese	No	No	<b>MIN</b>	On a plate or in a glass tray
Cakes, bread	No	No	<b>MED</b>	On a plate or in a glass tray
Meat	No	No	<b>MIN</b>	On a plate or in a glass tray

**Warming**

Dish	Preheating the drawer	Preheating tableware	Level	Information
Flatbreads, e.g. pancakes, wraps, tacos	5 – 10 min.	Not applicable	<b>MAX</b>	
Dry cakes, e.g. cakes with crumble topping, muffins	5 – 10 min.	Not applicable	<b>MAX</b>	

**Keeping warm**

Dish	Preheating the drawer	Preheating tableware	Level	Information
Drinks	5 – 10 min.	Yes	<b>MAX</b>	
Most food, soups, sauces, side dishes	5 – 10 min.	Yes	<b>MAX</b>	Decanted food, maximum 80 °C
Sensitive food, e.g. cooked meat	5 – 10 min.	Yes	<b>MED</b>	Decanted food, maximum 80 °C
Boiled eggs, scrambled eggs	5 – 10 min.	Yes	<b>MED</b>	Decanted food, maximum 80 °C
Bread, e.g. toast, rolls	5 – 10 min.	Not applicable	<b>MED</b>	

**Melting**

Dish	Preheating the drawer	Preheating tableware	Level	Information
Dissolving gelatin	No	No	<b>MAX</b>	Uncovered tableware, around 20 minutes
Cooking chocolate or couverture chocolate	No	No	<b>MAX</b>	
Crystallised honey	No	No	<b>MIN</b>	

**Proving dough**

Dish	Preheating the drawer	Preheating tableware	Level	Information
Yeast dough	5 – 10 min.	No	<b>MIN</b>	Covered bowls, dishes or baking trays

## 13 Customer Service

Function-relevant genuine spare parts according to the corresponding Ecodesign Order can be obtained from Customer Service for a period of at least 10 years from the date on which your appliance was placed on the market within the European Economic Area.

**Note:** Under the terms of the manufacturer's warranty the use of Customer Service is free of charge.

Detailed information on the warranty period and terms of warranty in your country is available from our after-sales service, your retailer or on our website.

If you contact Customer Service, you will require the product number (E-Nr.) and the production number (FD) of your appliance.

The contact details for Customer Service can be found in the enclosed Customer Service directory or on our website.

### 13.1 Product number (E-Nr.) and production number (FD)

You can find the product number (E-Nr.) and the production number (FD) on the appliance's rating plate. You can see the rating plate with these numbers when you open the drawer.

Make a note of your appliance's details and the Customer Service telephone number to find them again quickly.



# 14 Installation instructions

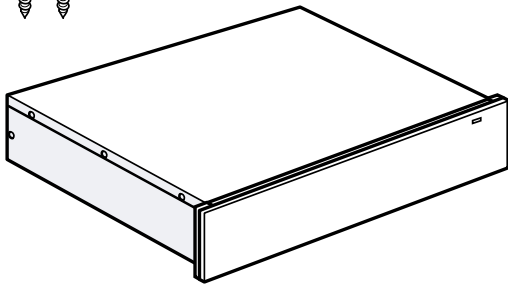
Observe this information when installing the appliance.



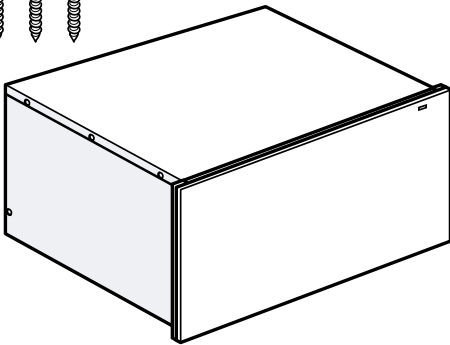
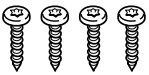
## 14.1 Included with the appliance

After unpacking all parts, check for any transport damage and for completeness of delivery.

14 cm



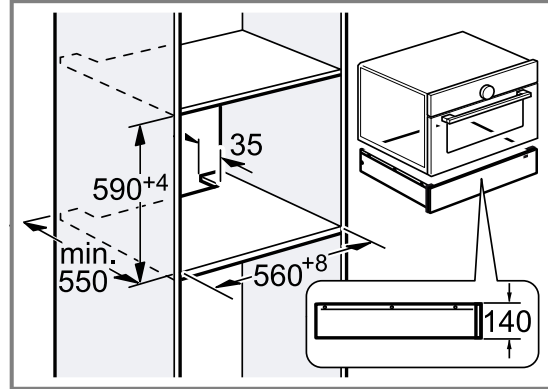
29 cm



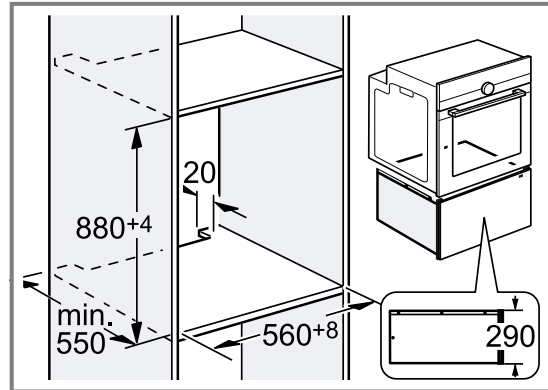
## 14.2 Installation in the cabinet

You will find the dimensions of the appliance here

14 cm



29 cm



## 14.3 Instructions for the electrical connection

In order to safely connect the appliance to the electrical system, follow these instructions.

- The appliance must only be connected to a protective contact socket that has been correctly installed. Only a qualified electrician may install a socket or replace the connecting cable, taking the appropriate regulations into account.
- The appliance must only be connected with the power cable provided. Connect the power cable to the back of the appliance.
- Connecting cables with various plug types are available from after-sales service.
- No multi-plugs, multiple connectors or extension leads must be used. Overloading causes a risk of fire.
- If the plug can no longer be reached after the installation, a partition must be provided in the phases in the permanent electrical installation in accordance with the installation regulations.

## **⚠ 14.4 Safe installation**

Follow these safety instructions when installing the appliance.

### **⚠ WARNING – Risk of suffocation!**

Children may put packaging material over their heads or wrap themselves up in it and suffocate.

- ▶ Keep packaging material away from children.
- ▶ Do not let children play with packaging material.

### **⚠ WARNING – Risk of electric shock!**

If the insulation of the power cord is damaged, this is dangerous.

- ▶ Never let the power cord come into contact with hot appliance parts or heat sources.
- ▶ Never let the power cord come into contact with sharp points or edges.
- ▶ Never kink, crush or modify the power cord.

### **⚠ WARNING – Risk of injury!**

Sharp-edged parts may be accessible during installation.

- ▶ Wear protective gloves.

## **14.5 Installation**

### **Fitted units**

This is where you can find information about safe installation.

#### **ATTENTION!**

Covering the ventilation slots and air intake openings causes the appliance to overheat.

- ▶ Do not cover ventilation slots and air intake openings.

If the appliance is installed behind a decorative panel, this may cause it to overheat.

- ▶ Do not install the appliance behind a decorative panel.

The built-in unit must not have a rear panel behind the appliance.

The minimum distance between the wall and the cabinet base or back wall of the cabinet that is situated above must be complied with.

Observe the installation instructions for the appliance installed above.

If no intermediate floor is possible above the appliance or above the oven, install tilt protection for the appliance. Suitable tilt protection can be obtained from customer service, on our website or in the online shop.

## **Installing the appliance**

### **⚠ WARNING – Risk of electric shock!**

If the insulation of the power cord is damaged, this is dangerous.

- ▶ Never let the power cord come into contact with hot appliance parts or heat sources.
- ▶ Never let the power cord come into contact with sharp points or edges.
- ▶ Never kink, crush or modify the power cord.

### **⚠ WARNING – Risk of injury!**

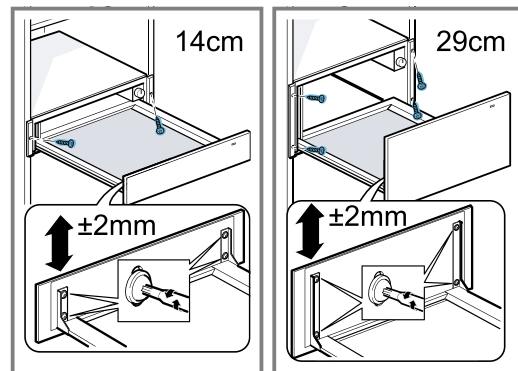
After removing the transport lock, the drawer may open suddenly during transport.

- ▶ Transport the appliance in such a way that the drawer does not accidentally open.

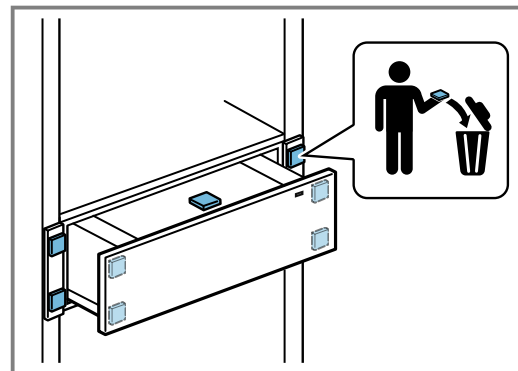
The high weight of the appliance may result in injury when lifted.

- ▶ Do not lift the appliance on your own.

1. Insert the power cord into a protective contact socket.  
The power cord must not touch the rear and base of the appliance after installation.
2. Insert the appliance.
3. Centre the appliance.
4. Screw the appliance into place.



5. Remove and dispose of the protective padding.



## فهرس المحتويات

### دليل المستخدم

لا تستخدم الجهاز:

- في المراكب أو السيارات.
- مع ميقاتي تشغيل خارجي أو وحدة تحكم عن بعد.

### 1.3 تقييد دائرة المستخدمين

يمكن للأطفال بدءًا من عُمر 8 سنوات فما فوق، وكذلك للأشخاص الذين يعانون نقصًا في القدرات الجسمانية أو الحسية أو العقلية، أو يعانون نقصًا في الإدراك أو المعرفة أو كليهما، استخدام هذا الجهاز، إذا تم ذلك تحت إشرافٍ وبعد اطلاعهم على كيفية التشغيل الآمن للجهاز، وإدراك المخاطر الناتجة.

لا يجوز للأطفال العبث بالجهاز. لا يجوز للأطفال تنظيف الجهاز أو إجراء أعمال الصيانة المنوطة بالمستخدم ما لم يكونوا في سن 15 سنة أو أكثر، على أن تتم مراقبتهم أثناء ذلك.

يجب إبعاد الأطفال دون سن 8 سنوات عن الجهاز وكابل التوصيل.

### 1.4 الاستخدام الآمن

#### ⚠ تحذير - خطر نشوب حريق!

يمكن أن يصعب الحيز الداخلي للجهاز سخناً للغاية، وبالتالي يمكن أن تشتعل المواد القابلة للاشتعال.

◀ لا تحتفظ أبدًا بمواد قابلة للاشتعال أو أواني بلاستيكية في الجهاز.

#### ⚠ تحذير - خطر الإصابة بحروق!

تصبح الكماليات والأواني ساخنة للغاية أثناء التشغيل.

◀ أخرج الكماليات والأطباق الساخنة دائمًا من الجهاز باستخدام قفاز أفران.

يصعب الحيز الداخلي للجهاز سخناً للغاية أثناء التشغيل.

◀ لا تلمس أبدًا الحيز الداخلي الساخن للجهاز.

◀ أبعد الأطفال.

الجهاز يسخن أثناء التشغيل.

◀ أترك الجهاز يبرد قبل تنظيفه.

#### ⚠ تحذير - خطر الصعق الكهربائي!

تنطوي أعمال الإصلاح غير السليمة فنيًا على أخطار.

◀ وحدهم أفراد الطاقم الفني المدربون من أجل ذلك يُسمح لهم بإجراء إصلاحات على الجهاز.

◀ لا يُسمح إلا باستخدام قطع الغيار الأصلية لإصلاح الجهاز.

◀ إذا تضرر كابل الكهرباء لهذا الجهاز، يجب استبداله من قبل طاقم فني مدرب.

1	الأمان	11
2	تجنب الأضرار المادية	12
3	حماية البيئة والتوفير	12
4	التعرّف	13
5	قبل أول استخدام	13
6	الأواني	13
7	الاستعمال الأساسي	14
8	التسخين الأولي للإناء	14
9	الحفاظ على سخونة الأطعمة	14
10	التنظيف والعناية	15
11	التغلب على الاختلالات	15
12	هكذا يتم الأمر	16
13	خدمة العملاء	17
14	دليل التركيب	17
14.4	التركيب الآمن	18

## 1 الأمان

احرص على مراعاة إرشادات الأمان التالية.

### 1.1 إرشادات عامة

- اقرأ هذا الدليل بعناية.
- احتفظ بالدليل وبمعلومات المنتج لغرض الاستخدام اللاحق أو لتسليمها إلى المالك التالي.
- لا توصل الجهاز بالكهرباء في حالة وجود أضرار ناتجة عن عملية النقل.

### 1.2 الاستعمال المطابق للتعليمات

هذا الجهاز مخصص فقط للتركيب بشكلٍ مدمج داخل وحدات المطبخ. التزم بدليل التركيب الخاص.

لا يجوز توصيل الجهاز دون قابس إلا بمعرفة فني مؤهل. حيث لا يحق المطالبة بحقوق الضمان في حالة توصيل الجهاز بشكلٍ غير صحيح.

لا تستخدم الجهاز إلا:

- للحفاظ على سخونة الطعام وتسخين الإناء.
- في المنزل الخاص وفي الأماكن المغلقة من المحيط المنزلي.
- حتى ارتفاع يبلغ 4000 م فوق سطح البحر.

- ◀ لا تشد كابل الكهرياء المتصل بالشبكة كي تفصل الجهاز عن شبكة الكهرياء أبدًا. انزع القابس الكهريائي من كابل الكهرياء دائمًا.
- ◀ إذا كان الجهاز متضررًا أو كابل التوصيل بالشبكة تالفًا، فاسحب على الفور القابس الكهريائي لكابل التيار أو افصل المصهر الموجود في صندوق المصاهر.
- ◀ اتصل بخدمة العملاء. ←صفحة 17

### ⚠ تحذير - خطر الاختناق!

- يمكن أن يلف الأطفال مواد التغليف فوق رؤوسهم أو ينحشروا بداخلها ويختنقوا.
- ◀ أبعد مواد التغليف عن متناول الأطفال.
- ◀ لا تدع الأطفال يلعبون بمواد التغليف للجهاز. يمكن أن يستنشق الأطفال الأجزاء الصغيرة أو يبتلعوها ومن ثم يختنقون.
- ◀ أبعد الأجزاء الصغيرة عن متناول الأطفال.
- ◀ لا تدع الأطفال يلعبون بالأجزاء الصغيرة.

أي عزل متضرر لكابل الكهرياء سوف يشكّل خطرًا.

- ◀ لا تقم مطلقًا بوضع وصلة الشبكة في وضع تلامس مع أجزاء ساخنة من الجهاز أو مصادر حرارية.
- ◀ لا تقم مطلقًا بوضع وصلة الشبكة في وضع تلامس مع أسنان مدببة أو حواف حادة.
- ◀ لا تتني أو تسحق أو تغيّر وصلة الشبكة الكهريائية.
- الرطوبة التي تتوغل في الجهاز قد تسبب صدمة كهريائية.
- ◀ لا تستخدم أجهزة تنظيف بالضغط العالي أو أجهزة تنظيف البخار، كي تنظف الجهاز. أي جهاز متضرر أو كابل كهرياء تالف سوف يشكّل خطرًا.
- ◀ لا تشغّل أبدًا جهازًا متضررًا.

## 2 تجنب الأضرار المادية

تنبيه!

- الوزن الزائد للغاية قد يلحق الضرر بالجهاز.
- ◀ يمكنك تحميل الجهاز بمقدار 15 كجم كحد أقصى.

الرطوبة قد تلحق الضرر بالجهاز.

- ◀ لا تستخدم الجهاز لحفظ الأطعمة والمشروبات. قد تؤدي رطوبة الأطعمة إلى أضرار ناتجة عند الصدا.

## 3 حماية البيئة والتوفير

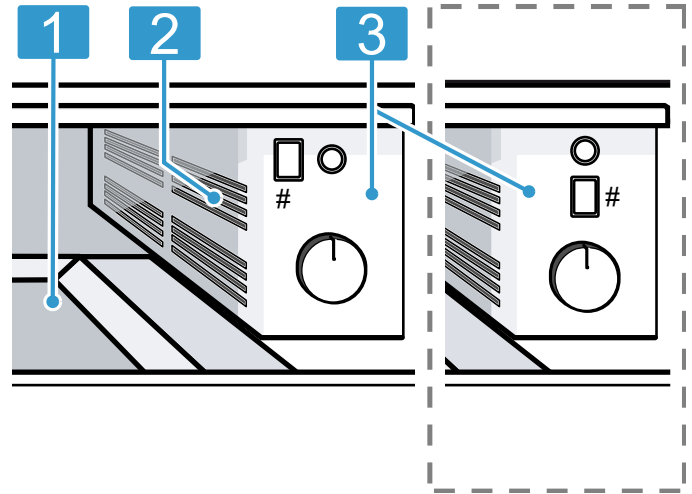
### 3.1 التخلص من مواد التغليف

- كافة مواد التغليف خامات غير ضارة بالبيئة ويمكن إعادة استغلالها.
- ◀ تخلّص من المكونات المفردة بشكل منفصل حسب نوعها.

## 4 التعرّف

### 4.1 الجهاز

تجد هنا نظرة عامة على مكونات جهازك.

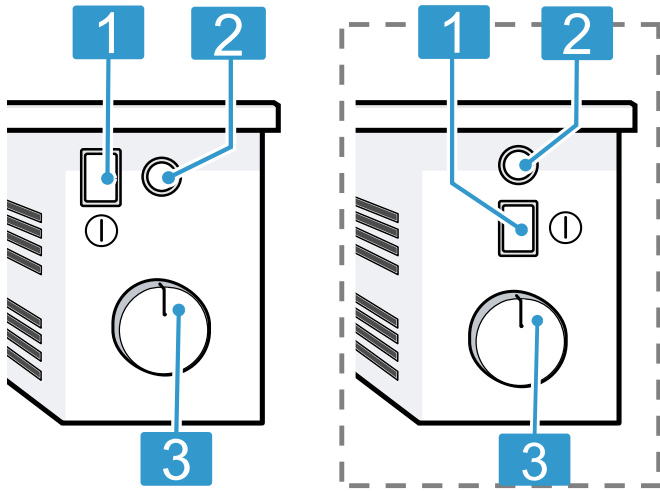


يمكن أن تختلف التفاصيل الواردة في الصورة مثل اللون والشكل، حسب نوع الجهاز.

- |   |                                |
|---|--------------------------------|
| 1 | سطح مزود بحصيرة مانعة للانزلاق |
| 2 | مروحة وعنصر تسخين              |
| 3 | عناصر الاستعمال                |

### 4.2 عناصر الاستعمال

اضبط كل وظائف جهازك واحصل على معلومات حول حالة التشغيل عبر لوحة الاستعمال.



- |   |                           |
|---|---------------------------|
| 1 | المفتاح الرئيسي           |
| 2 | مبين التشغيل              |
| 3 | مفتاح اختيار درجة الحرارة |

## 5 قبل أول استخدام

نقّد أوضاع الضبط من أجل التشغيل الأول لجهازك. نظّف الجهاز والملحقات.

### 5.1 تنظيف الجهاز وتسخينه قبل الاستخدام لأول مرة

1. قم بتنظيف الجهاز.

- اخلع الكماليات.
- قم بتسخين الجهاز لمدة ساعة واحدة عند درجة 80° م.
- انبعاث الدخان والروائح من الأمور الطبيعية.

## 6 الأواني

ستساعدك هذه الإرشادات على تجنب إلحاق أضرار بالأواني.

### 6.1 الأواني المناسبة

يمكنك تحميل درج التسخين بما يصل إلى 15 كجم كحد أقصى. يمكنك إحماء أطباق وجبات على سبيل المثال لحوالي 6 أشخاص أو 12 شخصاً.

درج 29 سم		درج 14 سم	
قطر 24 سم	12 أطباق وجبة	قطر 24 سم	6 أطباق وجبة
قطر 10 سم	12 بولات شوربة	قطر 10 سم	6 بولات شوربة
قطر 22 سم	1 وعاء	قطر 19 سم	1 وعاء
قطر 19 سم	1 وعاء	قطر 17 سم	1 وعاء
قطر 17 سم	1 وعاء	32 سم	1 طبق تقديم اللحم
32 سم	2 طبق تقديم اللحم		

## 7 الاستعمال الأساسي

### 7.1 فتح الجهاز

- ◀ اضغط على درج التسخين من المنتصف.
- ✓ يفتح درج التسخين ويمكن إخراجها.

### 7.3 تشغيل الجهاز

- ◀ اضغط على ①.

### 7.4 إيقاف الجهاز

- ◀ اضغط على ①.

### 7.5 ضبط درجة الحرارة

- ◀ اضبط درجة الحرارة بسهولة بين MIN، MED و MAX.

### 7.2 إغلاق الجهاز

- ◀ اضغط على درج التسخين من المنتصف وأعد إدخاله.

## 8 التسخين الأولي للإناء

لا تبرد الأطعمة بسرعة في الأواني التي تم تسخينها مسبقاً. وتظل المشروبات دافئة لمدة أطول.

الدرجة المرغوبة حتى MAX مناسبة للإناء. الدرجات من MIN إلى MED مناسبة لكاسات الشرب.

4. قم بتشغيل الجهاز.
- ✓ يضيء مبین التشغيل ويقوم الجهاز بالتسخين وتدور المروحة.
5. أغلق درج التسخين.
- ملاحظة:** تعتمد مدة التسخين على خامة الأواني وسُمكها وكميتها وتوزيعها. تتراوح المدة من 15 إلى 25 دقيقة تقريباً عند تحضير وجبة تكفي 6 أفراد.

### 8.1 بدء التسخين الأولي للإناء

#### ⚠ تحذير - خطر الإصابة بحروق!

تصبح كاسات الشرب ساخنة جداً عند تسخينها على أعلى درجة.

- ◀ مع كاسات الشرب، اضبط الدرجات من MIN إلى MED.

1. ضع الحصيرة المانعة للانزلاق في الأسفل لتجنب وقوع خدوش بسطح الدرج.
2. ضع الأواني في درج التسخين.
- قم بتوزيع الأواني على أرضية درج التسخين بأكملها لتقليل المدة.
- يجب ألا تتسبب أجزاء الأواني مرتفعة أو مجموعة الأطباق المكدسة في انسداد فتحة التهوية. تضمن فتحة التهوية الخالية توزيع الهواء الساخن بشكل جيد.
3. اضبط مفتاح اختيار درجة الحرارة على الدرجة المرغوبة.

### 8.2 إنهاء التسخين الأولي للإناء

#### ⚠ تحذير - خطر الإصابة بحروق!

تصبح الكماليات والأواني ساخنة للغاية أثناء التشغيل.

- ◀ استخدم دائماً فوطة للفرن لإخراج الكماليات أو الأواني الساخنة من الجهاز.

1. افتح درج التسخين.
2. أوقف الجهاز.
3. أخرج الأواني من الجهاز.

## 9 الحفاظ على سخونة الأطعمة

يمكنك الحفاظ على سخونة الأطعمة لفترة زمنية محددة باستخدام درج التسخين. ننصحك بعدم الحفاظ على سخونة الأطعمة لمدة أطول من ساعة واحدة. من الأطعمة المناسبة للحوم المطهية، الطيور، الأسماك، أنواع الصوص، الخضروات، الأطباق الجانبية والحساء.

### 9.1 بدء الحفاظ على سخونة الأطعمة

#### تنبيه!

الإناء الذي تم تسخينه في الموقد يُلحق الضرر بالحصيرة المانعة للانزلاق بدرج التسخين.

- ◀ تجنب وضع أواني أو مقالي تم تسخينها في موقد ساخن على الحصيرة المانعة للانزلاق مباشرة.

1. ضع الحصيرة المانعة للانزلاق في الأسفل لتجنب وقوع خدوش بسطح الدرج.
- الحصيرة المانعة للانزلاق آمنة لوضع الأطعمة. يمكن تسخين الأطعمة الجافة على الحصيرة المانعة للانزلاق مباشرة في درج التسخين. وفي النهاية يجب تنظيف الحصيرة المانعة للانزلاق.
2. ضع الأواني في درج التسخين.

### 9.2 إنهاء الحفاظ على سخونة الأطعمة

#### ⚠ تحذير - خطر الإصابة بحروق!

تصبح الكماليات والأواني ساخنة للغاية أثناء التشغيل.

- ◀ استخدم دائماً فوطة للفرن لإخراج الكماليات أو الأواني الساخنة من الجهاز.

1. افتح درج التسخين.
2. أوقف الجهاز.

## 10 التنظيف والعناية

نظف جهازك واعتني به بدقة، كي يظل قادرًا على أداء وظيفته لمدة طويلة.

### 10.1 مواد التنظيف

يمكنك الحصول على مواد التنظيف المناسبة لدى خدمة العملاء أو عبر المتجر الإلكتروني.

#### تنبيه!

- المنظفات غير المناسبة يمكن أن تضر بسطح الجهاز.
- لا تستخدم منظفات خادشة أو مواد تنظيف حادة.
- لا تستخدم أية منظفات قوية تحتوي على الكحول.
- لا تستخدم وسائد حاكة أو قطع إسفنجية خشنة.
- لا تستخدم منظفات الزجاج أو كاشطات الزجاج أو مواد العناية بالاستانلس ستيل، إلا إذا كانت تلك الوسائل موصى بها في تعليمات تنظيف الجزء المعنى.
- اغسل الفوط الإسفنجية جيدًا قبل الاستخدام.

### 10.2 تنظيف الجهاز

#### ⚠ تحذير - خطر الصعق الكهربائي!

- الرطوبة المتوقعة في الجهاز قد تسبب صدمة كهربائية.
- لا تستخدم أجهزة تنظيف بالضغط العالي أو أجهزة تنظيف بالبخار، كي تنظف الجهاز.

#### ⚠ تحذير - خطر الإصابة بحروق!

- الجهاز يسخن أثناء التشغيل.
- اترك الجهاز يبرد قبل تنظيفه.

**الشرط:** يتم إيقاف الجهاز.

1. قم بتنظيف الجهاز بمنديل رطب ومنظف معتدل، مثلًا بمادة تنظيف وماء.
2. و قم بالتجفيف بعد ذلك باستخدام فوطة ناعمة.

### 10.3 تنظيف الأسطح الاستانلس ستيل

1. احرص على إزالة البقع الجيرية وبقع الدهون وبقع النشا وبقع بياض البيض على الفور.
2. فقد يتكوّن الصدأ تحت هذه البقع.
3. لغرض التنظيف استخدم الماء وقليل من مادة التنظيف.
3. و قم بالتجفيف بعد ذلك باستخدام فوطة ناعمة.

### 10.4 تنظيف الواجهة الزجاجية

- ◀ قم بتنظيف الواجهة الزجاجية باستخدام منظف زجاج وفوطة ناعمة.
- لا تستخدم أية إسفنجيات خشنة خادشة أو كاشطة زجاج.

### 10.5 تنظيف الحصيرة المانعة للانزلاق

1. أخرج الحصيرة المانعة للانزلاق لغرض تنظيفها.
2. قم بتنظيف الحصيرة المانعة للانزلاق بسائل تنظيف.

## 11 التغلب على الاختلالات

يمكنك أن تقوم بنفسك بإصلاح الأعطال البسيطة بجهازك. اقرأ معلومات التغلب على الأعطال قبل الاتصال بخدمة ما بعد البيع. حيث يجنبك ذلك أية تكاليف غير ضرورية.

#### ⚠ تحذير - خطر الإصابة!

- تنطوي أعمال الإصلاح غير السليمة فنيًا على أخطار.
- ◀ وحدهم أفراد الطاقم الفني المدربون من أجل ذلك يُسمح لهم بإجراء إصلاحات على الجهاز.
- ◀ لا يُسمح إلا باستخدام قطع الغيار الأصلية لإصلاح الجهاز.
- ◀ إذا تضرر كابل الكهرباء لهذا الجهاز، يجب استبداله من قبل طاقم فني مدرب.

- تنطوي أعمال الإصلاح غير السليمة فنيًا على أخطار.
- ◀ وحدهم أفراد الطاقم الفني المدرب من يُسمح لهم بإجراء إصلاحات على الجهاز.
- ◀ إذا تعطل الجهاز، فاتصل بخدمة العملاء.

### 11.1 الاختلالات الوظيفية

العطل	السبب والتغلب على الأعطال
الأواني أو الأطعمة تبقى باردة.	الإمداد بالتيار الكهربائي منقطع. ◀ افحص ما إذا كانت إضاءة الغرفة أو الأجهزة الأخرى في الغرفة تعمل. يتم إيقاف الجهاز. ◀ قم بتشغيل الجهاز.
الجهاز لا يعمل.	درج التسخين غير مغلق بشكل كامل. ◀ أغلق درج التسخين. المصهر تالف. ◀ افحص المصهر الكهربائي في صندوق المصاهر.
الأواني أو الأطعمة لا تسخن بالقدر الكافي.	لم يتم تسخين الإناء أو الأطعمة لفترة طويلة بالقدر الكافي. ◀ قم بتسخين الأواني أو الأطعمة لفترة زمنية أطول.

العطل	السبب والتغلب على الأعطال
الأواني أو الأطعمة لا تسخن بالقدر الكافي.	درج التسخين غير مغلق بشكل كامل. ◀ أغلق درج التسخين.
	كان درج التسخين مفتوحًا لفترة طويلة. ◀ أغلق درج التسخين.
	لم يتم إحماء درج التسخين بالقدر الكافي. ◀ قم بإحماء درج التسخين بالقدر الكافي.
	تعرضت فتحة التهوية للانسداد من الإناء. ◀ أبعد الإناء المرتفع عن فتحة التهوية.
لمبة مبيّن التشغيل لا تضيء.	لمبة مبيّن التشغيل تالفة. ◀ اتصل بخدمة العملاء. ← "خدمة العملاء"، صفحة 17
احتراق المصهر الموجود في صندوق المصاهر.	المصهر تالف. ◀ انزع القابس الكهربائي. ◀ اتصل بخدمة العملاء. ← "خدمة العملاء"، صفحة 17

## 12 هكذا يتم الأمر

تجد هنا أوضاع الضبط المناسبة وكذلك أفضل الكماليات والأواني لتحضير الوجبات المختلفة. وقد قمنا بمواءمة التوصيات بما يتناسب مع جهازك بشكل مثالي.

### 12.1 توصيات الضبط

تم اختبار أوضاع الضبط التالية لجهازك خصيصًا.

#### الأواني وكاسات الشرب

الوجبة	التسخين الأولي للدرج	التسخين الأولي للإناء	المستوى	إرشادات
أطباق، بولات شوربة، كسرولات	لا	غير مناسب	MAX	
فناجين الاسبريسو، فناجين القهوة	لا	غير مناسب	MED	

#### إذابة تجمد الأطعمة المجمدة

الوجبة	التسخين الأولي للدرج	التسخين الأولي للإناء	المستوى	إرشادات
الجاتوه الكريمة، الزيد، السجق والجبن	لا	لا	MIN	على طبق أو في وعاء زجاجي
الكيك، الخبز	لا	لا	MED	على طبق أو في وعاء زجاجي
اللحم	لا	لا	MIN	على طبق أو في وعاء زجاجي

#### التسخين

الوجبة	التسخين الأولي للدرج	التسخين الأولي للإناء	المستوى	إرشادات
فطائر مثل كيكة بالبيض، لفائف، سندويشات تاكو	5 - 10 دقائق	غير مناسب	MAX	
كيك جاف مثل كيك ستروسل والمافن	5 - 10 دقائق	غير مناسب	MAX	



## الحفاظ على سخونة

الوجبة	التسخين الأولي للدرج	التسخين الأولي للإناء	المستوى	إرشادات
المشروبات	5 - 10 دقائق	نعم	MAX	
الأطعمة بشكل عام، أنواع الحساء، أنواع الصوص، الأطباق الجانبية	5 - 10 دقائق	نعم	MAX	قم بصب الأطعمة، بعد أقصى 80 °م
الأطعمة الحساسة مثل اللحم المطهي	5 - 10 دقائق	نعم	MED	قم بصب الأطعمة، بعد أقصى 80 °م
بيض مسلووق، بيض مقلي	5 - 10 دقائق	نعم	MED	قم بصب الأطعمة، بعد أقصى 80 °م
الخبز مثل التوست والخبز الملفوف	5 - 10 دقائق	غير مناسب	MED	

## الصهر

الوجبة	التسخين الأولي للدرج	التسخين الأولي للإناء	المستوى	إرشادات
صهر الجيلاتين	لا	لا	MAX	إناء مكشوف، حوالي 20 دقيقة
قوالب شوكولاتة أو شيكولاتة التغطية	لا	لا	MAX	
عسل ميلور	لا	لا	MIN	

## تخمير العجين

الوجبة	التسخين الأولي للدرج	التسخين الأولي للإناء	المستوى	إرشادات
العجين المخمر	5 - 10 دقائق	لا	MIN	وعاء مغطى، طبق أو لوح خببز

## 13 خدمة العملاء

عندما تتواصل مع خدمة العملاء، سوف تكون بحاجة إلى رقم المنتج (E-Nr.) ورقم الصنع (FD-Nr.) الخاصين بجهازك. تجد بيانات الاتصال بخدمة العملاء في فهرس خدمة العملاء المرفق أو على موقعنا الإلكتروني.

## 13.1 رقم المنتج (E-Nr.) ورقم الصنع (FD)

تجد رقم المنتج (E-Nr.) ورقم الصنع (FD) على لوح الصنع للجهاز. تجد لوحة الصنع وبها الأرقام عند فتح الدرج. كي تجد بيانات جهازك ورقم هاتف خدمة العملاء مجددًا بسرعة، يمكنك تدوين البيانات.

تحصل على قطع الغيار الأصلية المهمة للوظيفة وفقًا للائحة التصميم البيئي ذات الصلة لدى خدمة العملاء الخاصة بنا لمدة 10 سنوات على الأقل بدءًا من تسويق جهازك داخل المنطقة الاقتصادية الأوروبية. يمكن الحصول على قطع غيار أصلية ذات صلة بالوظيفة وفقًا لتوجيهات التصميم الإلكتروني ذات الصلة من خدمة العملاء لمدة 10 سنوات على الأقل من تاريخ استلام العميل للسلعة أو تاريخ تفعيل الضمان للسلع التي تحتاج إلى تركيب أو تشغيل<sup>1</sup>

**ملاحظة:** تكون الاستعانة بخدمة العملاء مجانية في إطار اشتراطات ضمان الجهة الصانعة.

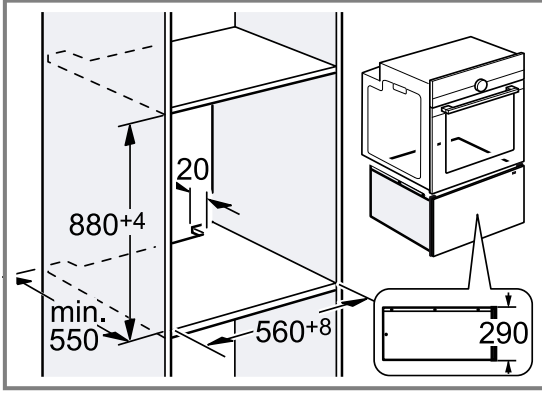
سوف تحصل على معلومات مفصلة حول فترة الضمان وشروطه في بلدك لدى خدمة العملاء الخاصة بنا أو لدى التاجر الذي تتعامل معه أو على موقعنا الإلكتروني.

## 14 دليل التركيب

يرجى مراعاة هذه المعلومات عند تركيب الجهاز.



سم 29



### 14.3 إرشادات التوصيل الكهربائي

لكي يتسنى التوصيل الكهربائي للجهاز بشكل آمن، احرص على مراعاة هذه الإرشادات.

- لا يجوز توصيل هذا الجهاز إلا بمقبس مؤرض ومركب بشكل صحيح. يجب ألا يتم تغيير موضع مقبس كهربائي أو استبدال كابل التوصيل إلا من قبل فني كهرباء وفي ظل مراعاة التعليمات ذات الصلة.
- يجب توصيل الجهاز باستخدام سلك التوصيل المورد فقط. قم بتركيب سلك التوصيل بمؤخرة الجهاز.
- يمكن الحصول على كابلات التوصيل المزودة بأنواع قوابس مختلفة من خدمة العملاء.
- لا تستخدم مهابئات متعددة القوابس أو مشتركات كهربائية أو أسلاك تطويل. حيث يكون هناك خطر اندلاع حريق في حالة التحميل الزائد.
- إذا تعذر الوصول للقباس بعد التركيب فيجب في التركيب الكهربائي الثابت أن تتوفر تجهيزة فصل لجمع المراحل وفقاً للوائح التركيب.

### 14.4 التركيب الآمن ⚠️

احرص على مراعاة إرشادات الأمان هذه عند تركيب الجهاز.

#### ⚠️ تحذير - خطر الاختناق!

- يمكن أن يلف الأطفال مواد التغليف فوق رؤوسهم أو ينحسروا بداخلها ويختنقوا.
- ◀ أبعد مواد التغليف عن تناول الأطفال.
- ◀ لا تدع الأطفال يلعبون بمواد التغليف للجهاز.

#### ⚠️ تحذير - خطر الصعق الكهربائي!

أي عزل متضرر لكابل الكهرباء سوف يشكل خطراً.

- ◀ لا تقم مطلقاً بوضع وصلة الشبكة في وضع تلامس مع أجزاء ساخنة من الجهاز أو مصادر حرارية.
- ◀ لا تقم مطلقاً بوضع وصلة الشبكة في وضع تلامس مع أسنان مدببة أو حواف حادة.
- ◀ لا تشي أو تسحق أو تغيّر وصلة الشبكة الكهربائيّة.

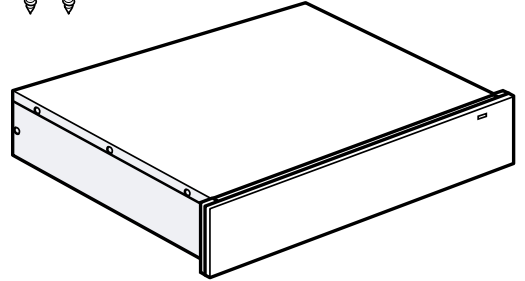
#### ⚠️ تحذير - خطر الإصابة!

- من الممكن الوصول إلى أجزاء حادة الحواف أثناء التركيب.
- ◀ احرص على ارتداء قفازات واقية.

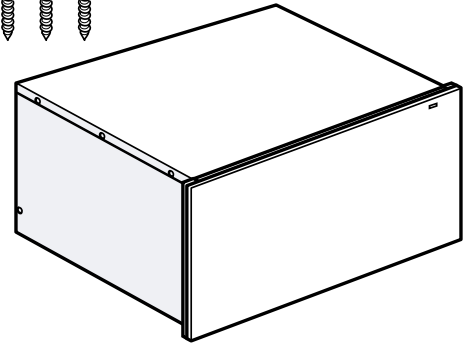
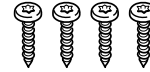
### 14.1 مجموعة التوريد

بعد إخراج كافة الأجزاء من عبوة التغليف، تأكد من خلوها من أية أضرار ناجمة عن النقل واكتمال مجموعة التوريدات.

سم 14



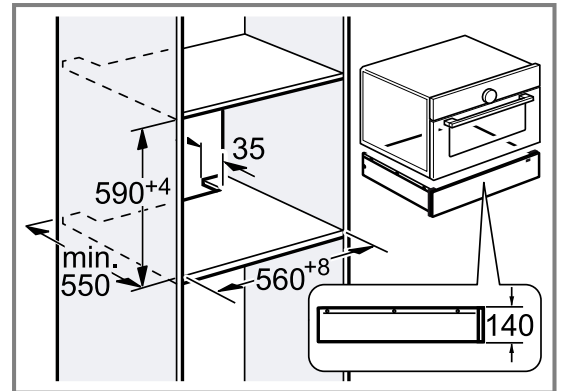
سم 29



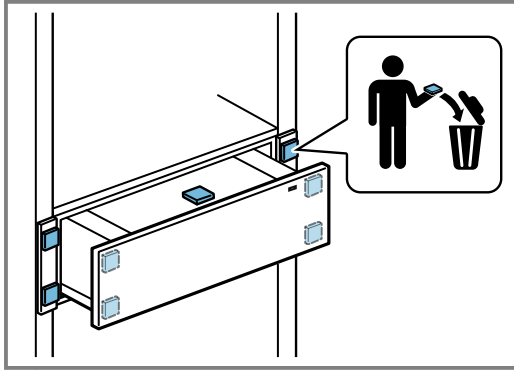
### 14.2 التركيب في خزانة

تجد هنا أبعاد الجهاز

سم 14



5. اخلع الوسادات الواقية وتخلص منها.



## 14.5 التركيب

### وحدات التركيب

يمكنك الاطلاع هنا على إرشادات حول التركيب الآمن.

#### تنبيه!

تغطية فتحات التهوية وفتحات الشفط تُعرض الجهاز للسخونة المفرطة.

◀ لا تقم بتغطية فتحات التهوية وفتحات الشفط.

قد يتعرض الجهاز للسخونة المفرطة عند التركيب خلف غطاء ديكوري.

◀ لا تقم بتركيب الجهاز خلف غطاء ديكوري.

يجب ألا تشمل خزانة التركيب على جدار خلف الأجهزة.

يجب الالتزام بآدنى مسافة بين الجدار وقاعدة الخزانة أو الجدار الخلفي للخزانة العلوية.

يراعى دليل تركيب الجهاز العلوي.

إذا تعذر توفير لوح بيني فوق الجهاز أو فوق الفرن، فقم

بتركيب وسيلة حماية من الانقلاب على الجهاز. يمكنك

الحصول على وسيلة الحماية المناسبة من الانقلاب لدى

خدمة العملاء أو على موقعنا الإلكتروني أو عبر المتجر الإلكتروني.

### تركيب الجهاز

#### ⚠ تحذير - خطر الصعق الكهربائي!

أي عزل متضرر لكابل الكهرباء سوف يشغل خطرًا.

◀ لا تقم مطلقًا بوضع وصلة الشبكة في وضع تلامس مع أجزاء ساخنة من الجهاز أو مصادر حرارية.

◀ لا تقم مطلقًا بوضع وصلة الشبكة في وضع تلامس مع أسنان مدببة أو حواف حادة.

◀ لا تشق أو تسحق أو تغيّر وصلة الشبكة الكهربائية.

#### ⚠ تحذير - خطر الإصابة!

بعد إزالة وسيلة تأمين النقل يمكن أن يفتح الدرج

بشكل مفاجئ أثناء النقل.

◀ انقل الجهاز بحيث لا يفتح الدرج دون قصد.

◀ قد يؤدي الوزن المرتفع للجهاز إلى إصابات عند رفعه.

◀ لا ترفع الجهاز بمفردك.

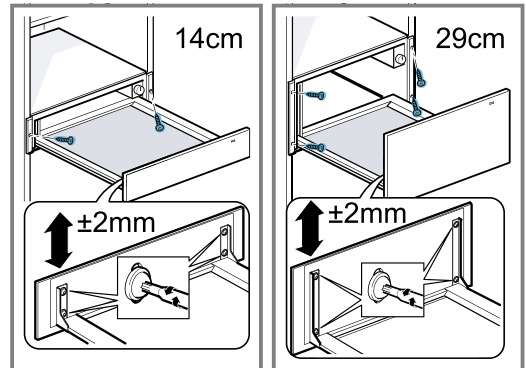
1. قم بتركيب كابل الكهرباء في المقبس المؤرض.

يجب ألا يتلامس كابل الكهرباء مع الجانب الخلفي للجهاز وقاعدته بعد التركيب.

2. قم بتركيب الجهاز.

3. قم بمركزة الجهاز.

4. أحكم ربط براغي الجهاز.





## Thank you for buying a Bosch Home Appliance!

Register your new device on MyBosch now and profit directly from:

- **Expert tips & tricks for your appliance**
- **Warranty extension options**
- **Discounts for accessories & spare-parts**
- **Digital manual and all appliance data at hand**
- **Easy access to Bosch Home Appliances Service**

Free and easy registration – also on mobile phones:

[www.bosch-home.com/welcome](http://www.bosch-home.com/welcome)

**BOSCH**  
HOME APPLIANCES  
**SERVICE**

## Looking for help? You'll find it here.

Expert advice for your Bosch home appliances, help with problems or a repair from Bosch experts.

Find out everything about the many ways Bosch can support you:

[www.bosch-home.com/service](http://www.bosch-home.com/service)

Contact data of all countries are listed in the attached service directory.

### **BSH Hausgeräte GmbH**

Carl-Wery-Straße 34  
81739 München, GERMANY  
[www.bosch-home.com](http://www.bosch-home.com)

A Bosch Company



**9001791830** (021128)

en, ar1

Valid within Great Britain:  
Imported to Great Britain by  
BSH Home Appliances Ltd.  
Grand Union House  
Old Wolverton Road  
Wolverton, Milton Keynes  
MK12 5PT  
United Kingdom