

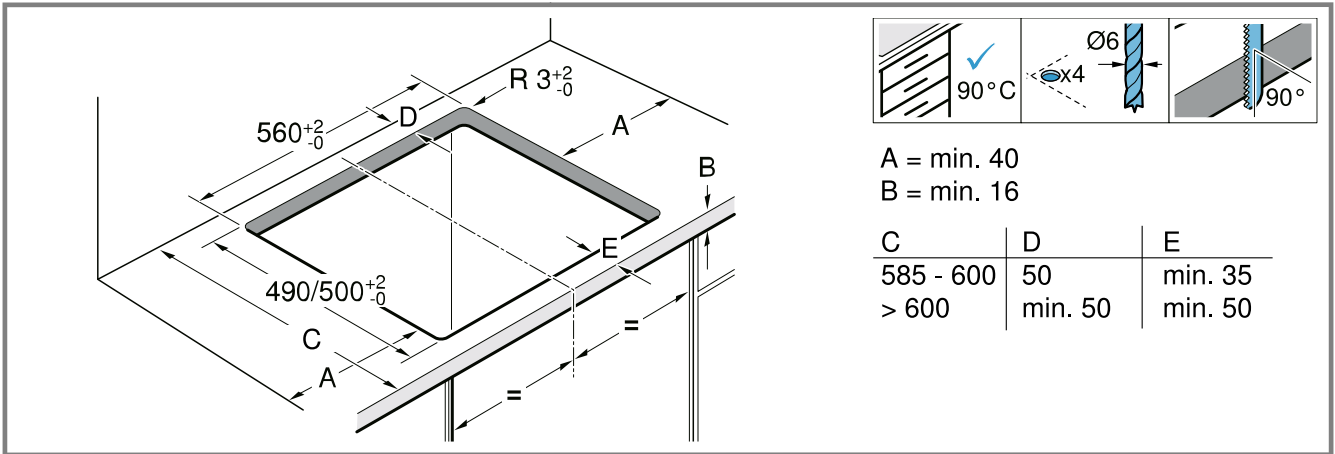


en Installation instructions

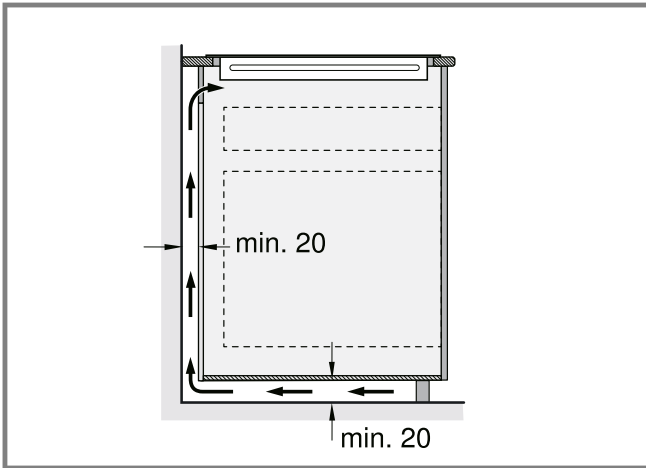


i Exclusive for India

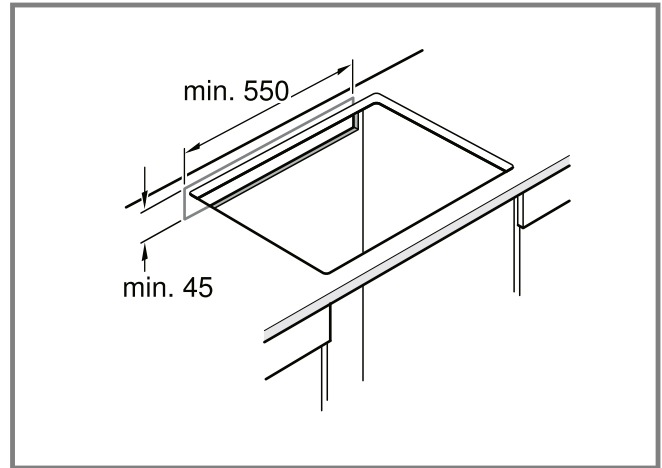
mm



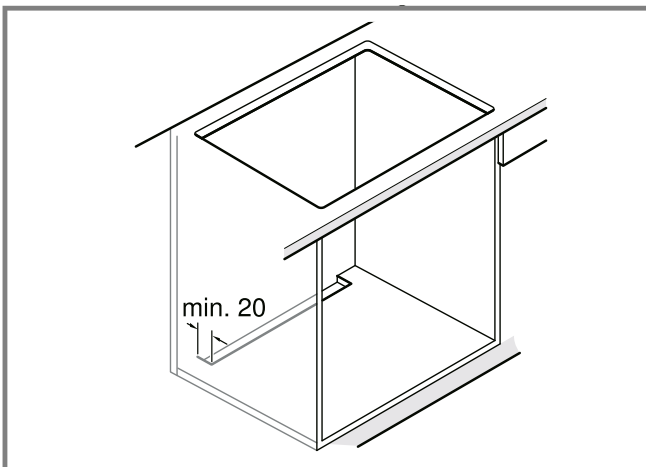
1



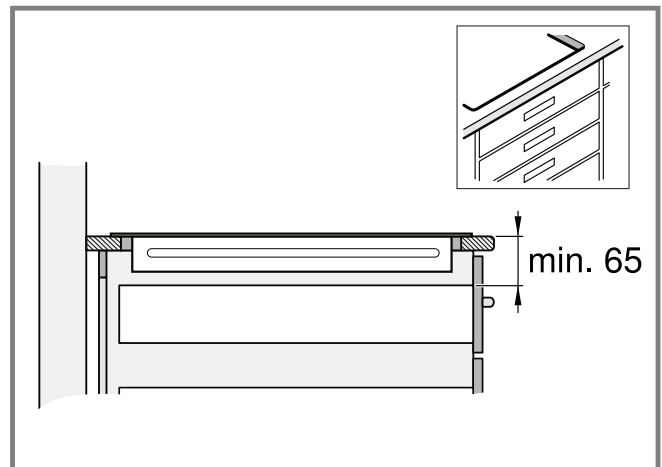
2



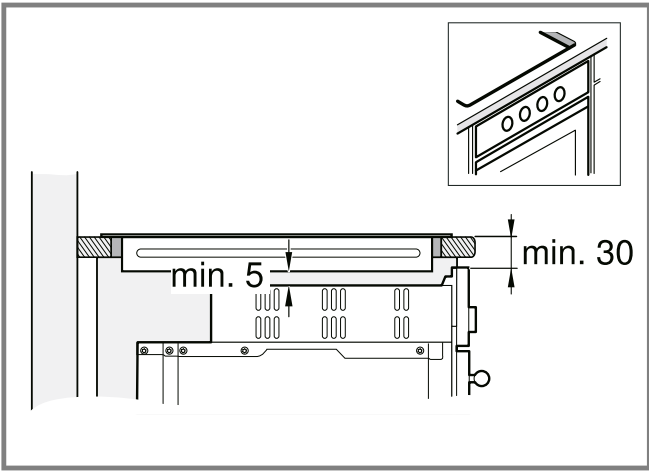
3



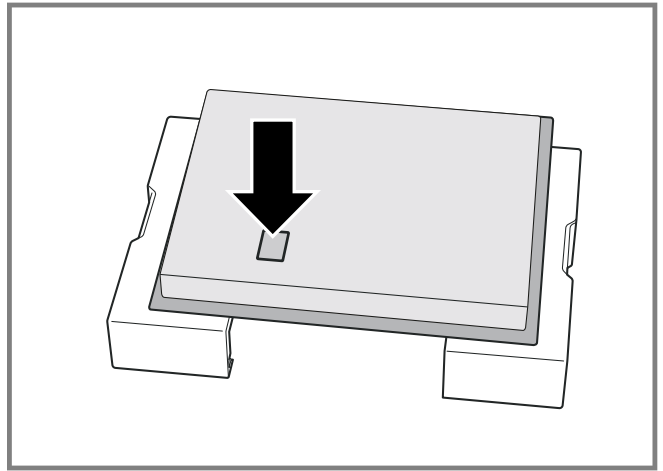
4



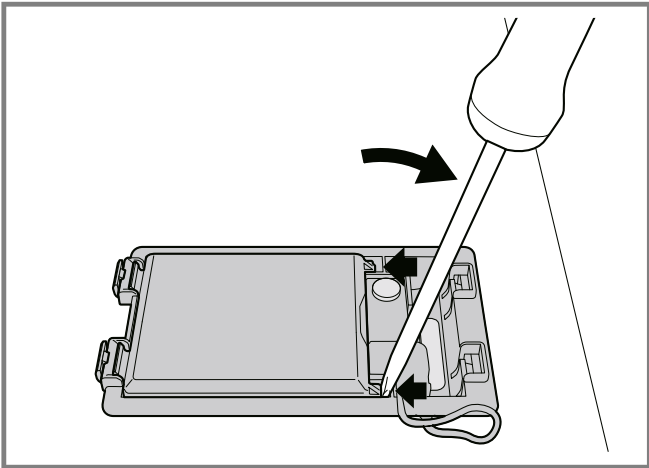
5



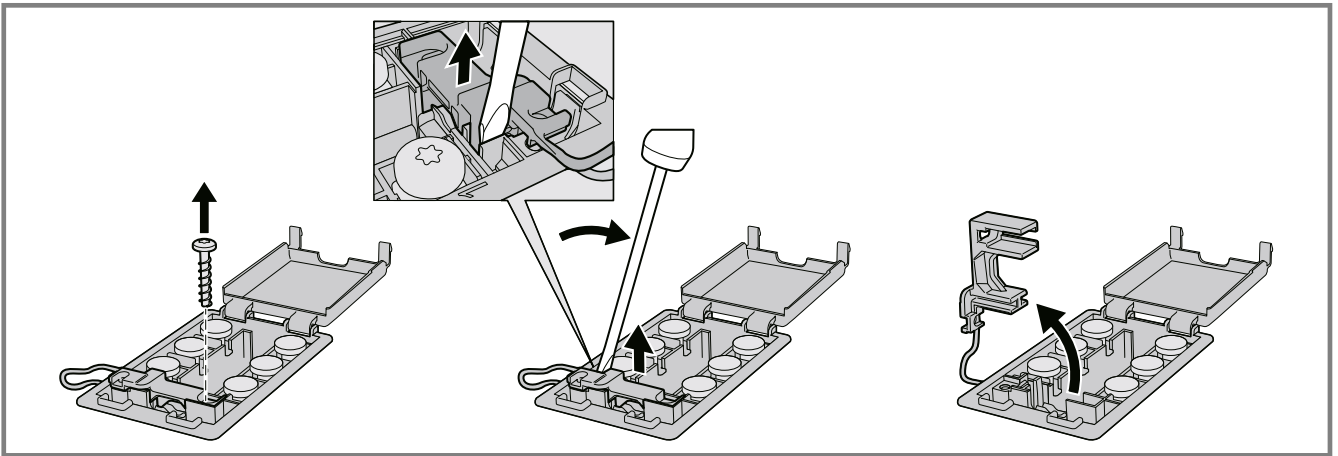
6



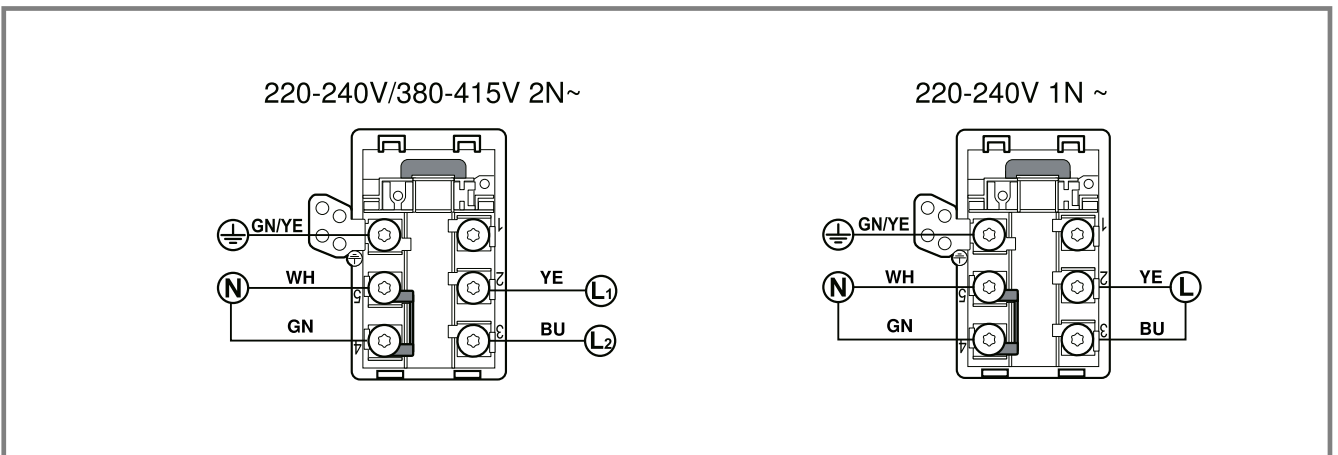
7



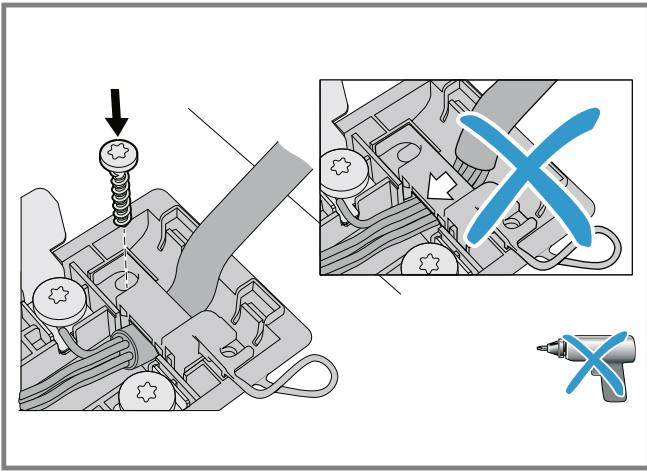
8



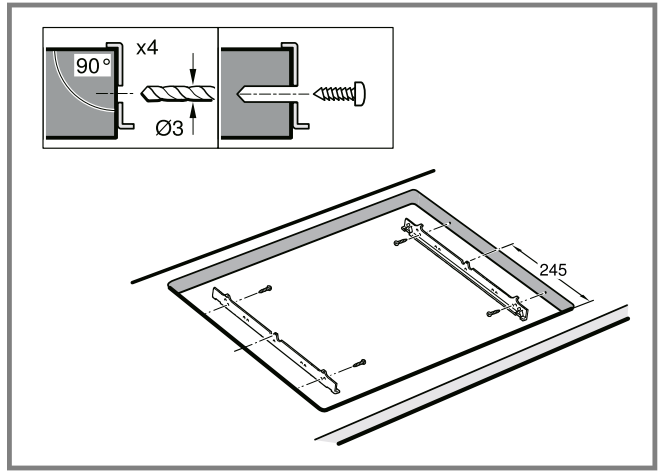
9



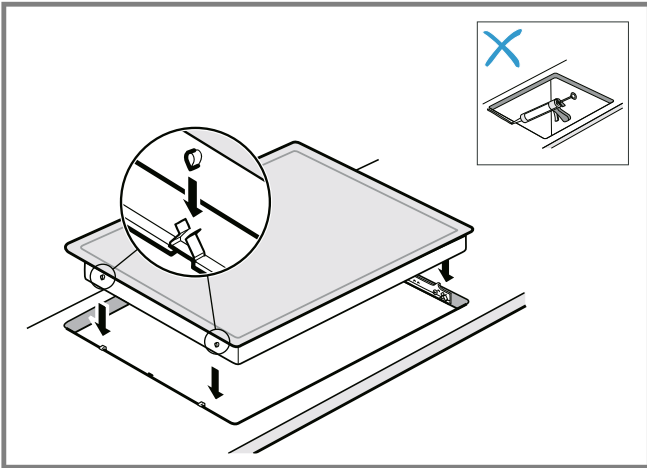
10



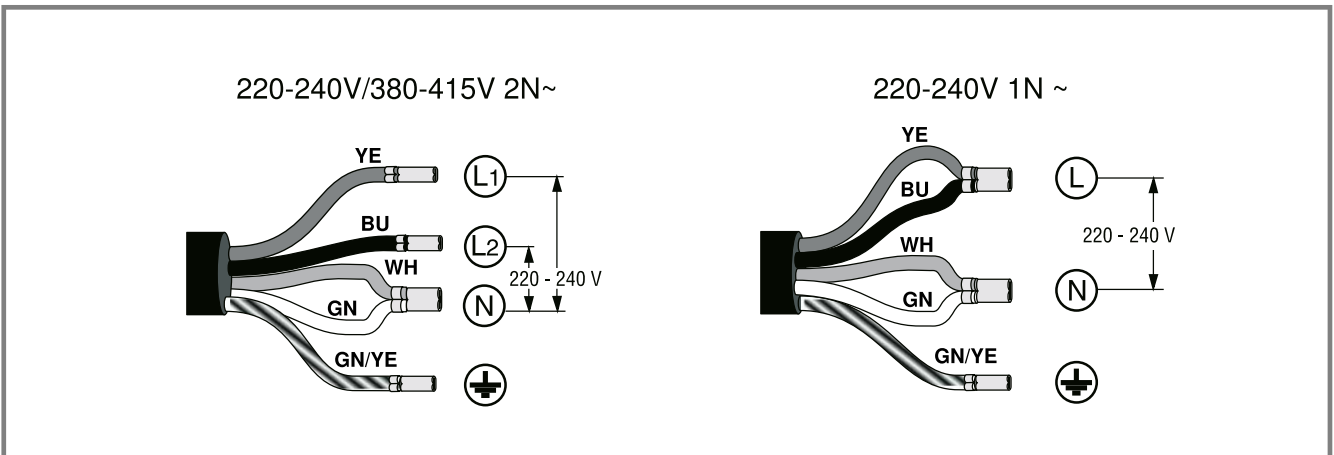
11



12

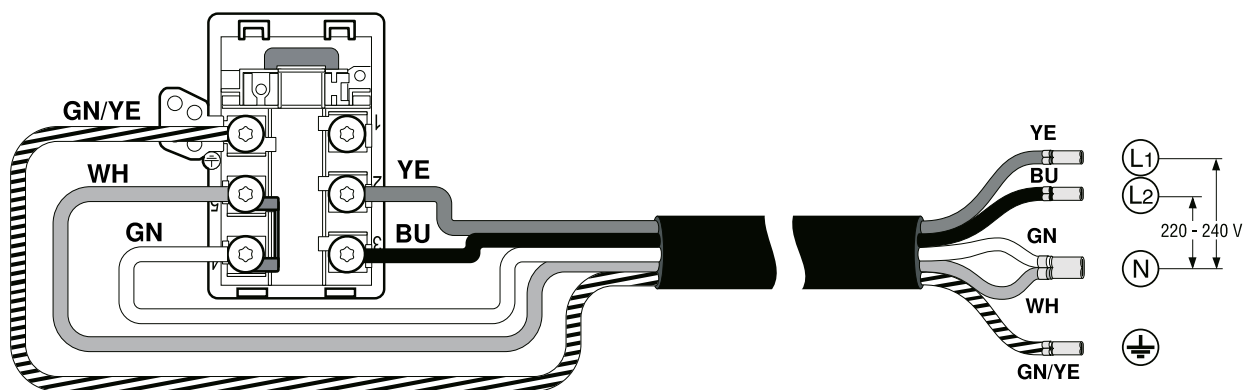


13

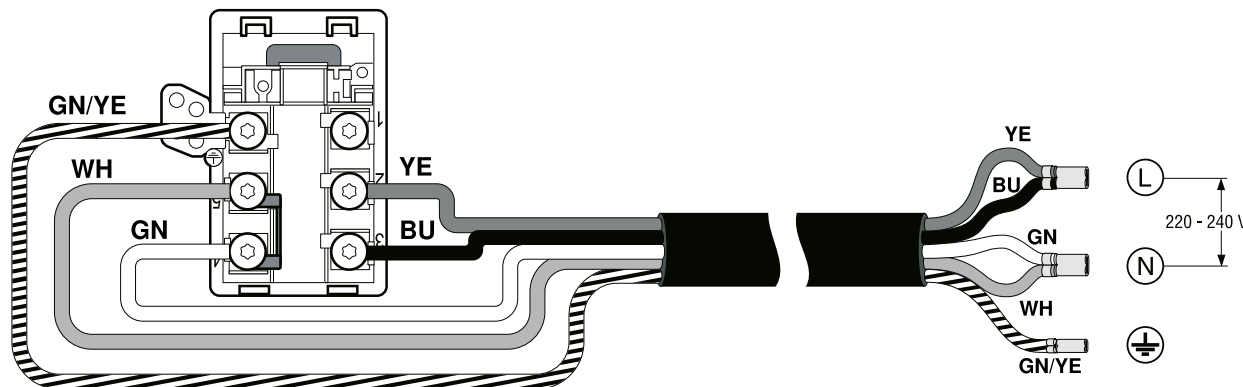


14

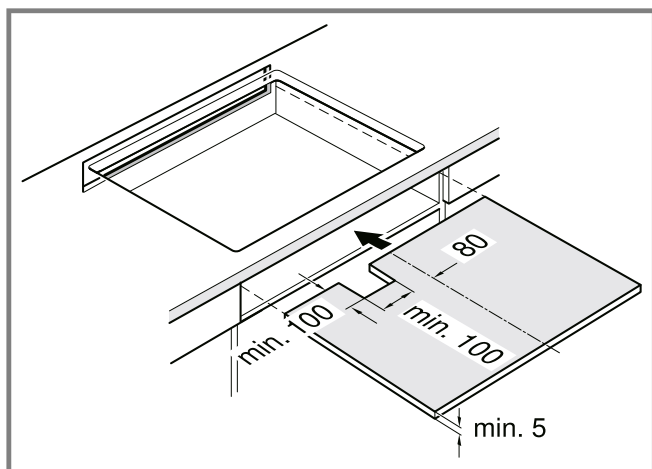
220-240V/380-415V 2N~



220-240V 1N~



15



16

en

General information

- Read this instruction manual carefully.
- Only a licensed expert may connect the appliance.
- Improper installation, opening of the appliance, connection or assembly may lead to a loss of validity of the product warranty.
- Switch off the power supply before carrying out any work.

- After installation, ensure that the user does not have access to the electrical components.
- Never use this appliance in boats or in vehicles.

Safe installation

Follow these safety instructions when installing the appliance. The appliance can only be used safely if it is correctly installed in accordance with the installation instructions. The installer is responsible for ensuring that the appliance works perfectly at its installation location.

⚠ WARNING – Danger: Magnetism!

The appliance contains permanent magnets. They may affect electronic implants, e.g. pacemakers or insulin pumps.

- ▶ Persons with electronic implants must stand at least 10 cm away from the appliance.

⚠ WARNING – Risk of injury!

Parts that are accessible during installation may have sharp edges and may lead to cutting injuries.

- ▶ Wear protective gloves.

Chemicals may be dangerous. When handling chemicals, you must observe the recommendations of the chemical producers.

- ▶ Wear personal protective equipment.

Instructions for the electrical connection

In order to safely connect the appliance to the electrical system, observe the following instructions.

- Only an authorised expert or a specially trained service technician may connect the appliance. The person must be approved in accordance with the local regulations of the country and the electricity supply company.
- Connect the appliance to a fixed installation and set up appropriate isolating switches in accordance with the installation regulations.
- The manufacturer shall assume no liability for malfunctions or damage resulting from incorrect electrical wiring.

Connection type

- The appliance corresponds to protection class 1. You should therefore only use the appliance with a protective earth connection.

Power cord

The power cord can be connected to the mains socket for the hob or included with the appliance.

- You can find the required connection data on the type plate and in the connection diagram.
- Use only the connection cable that is supplied with the appliance or is supplied by customer service. If you require a longer cable, contact customer service. Connection cables up to 2.20 m long are available.

Information on fitted units

- You can only install the induction hob above drawers or ovens with fan ventilation. Do not install refrigerators, dishwashers, non-ventilated ovens or washing machines below the hob.
- Ensure that the fitted unit is heat-resistant up to at least 90 °C.

Worktop

Follow the worktop manufacturer's recommendations.

- Level, horizontal, stable.
- The worktop into which you are fitting the appliance must be able to withstand loads of approx. 60 kg.
- For thin worktops, use heat-resistant and moisture-resistant reinforcement material.
- Only check the evenness of the hob after it has been installed.

Extractor hood

- The clearance between the extractor hood and the hob must correspond at least to the clearance specified in the installation instructions for the extractor hood.

Preparing the fitted units

1. Mark the unit cut-out in accordance with the installation diagram.
 - Ensure that the angle of the cut surface to the worktop is 90°.
 - Fig. 1
2. After making the cut-outs, remove any shavings.
3. Seal the cut surfaces with heat-resistant material.

Ventilation

To guarantee that the appliance works correctly, the hob must be sufficiently ventilated. The ventilation in the lower section of the appliance requires a sufficient supply of fresh air. Therefore, if required, adjust the units for this purpose.

1. Maintain a minimum clearance between the rear of the unit and the kitchen wall.
→ Fig. 2
2. Ensure that an opening at the top of the rear of the unit is unobstructed.
→ Fig. 3
3. If the clearance from the back wall of the unit is less than 20 mm, create an opening on the underside.
→ Fig. 4
4. Do not hermetically seal the lower base.

Note: If the appliance is installed in an island unit or in another location that is not described here, guarantee that the hob is ventilated appropriately.

Installation above a drawer

- In order to guarantee good ventilation, the clearance between the surface of the worktop and the upper area of the drawer must be 65 mm.
→ Fig. 5

Installation above an oven

- To ensure good ventilation, the clearance between the top of the worktop and the surface of the oven front must be 30 mm and the minimum clearance between the oven and hob must be 5 mm.
- If the clearance between the hob and the oven needs to be increased, refer to the installation instructions for the oven.
→ Fig. 6

Installing the power cord in the mains socket

Requirement: For appliances without a preinstalled power supply.

1. Turn the hob over and put it down on the base of the packaging, a cloth or another surface in order to prevent scratches.
→ Fig. 7
2. Use a screwdriver to lift up the cover of the mains socket.
→ Fig. 8
3. Undo the fastening screw and use a screwdriver to lift the hose clamp.
→ Fig. 9

4. Only connect to the mains socket as shown in the figure:
 → Fig. 10
 - WH: White
 - BN: Green
 - YE: Yellow
 - BU: Blue
 - GN/YE: Green and yellow

Note: If you implement the connection in accordance with connection diagram 2L/2N, you must change the configuration of the bridges in accordance with the diagram.
5. After connecting the cable, tighten the screws on the mains socket correctly.
6. Use the hose clamp to secure the power cord and tighten the fastening screw.
 → Fig. 11
7. Route the cables into the central area of the mains socket. Close the cover on the mains socket.

Installing the support rails

- ▶ Install the support rails in the unit.
 - Glue the support rails to the stone worktop. Use a melt adhesive that is suitable for bonding metal and stone and has a temperature resistance of at least 90 °C.
 - Do not use silicone for sealing.
 - If mounting rails have already been attached, remove these and attach new ones.
 - Use the lower threaded holes for tiled work surfaces.
 → Fig. 12

Inserting the hob

1. Insert the hob in the cut-out.
 → Fig. 13
2. Seal the tile joints on tiled work surfaces with silicone rubber.

Note: Do not kink or trap the connection cable, and keep it away from sharp edges and hot parts.

Connecting the appliance

Requirement: Observe the connection data on the rating plate.

1. Only connect as shown in the circuit diagram:
 → Fig. 14, → Fig. 15
 - WH: White
 - BN: Green
 - YE: Yellow
 - BU: Blue
 - GN/YE: Green and yellow

Note: Depending on the type of connection, you may have to change the arrangement of the terminals supplied by the factory. For this, you may have to shorten the clamps and remove the insulation in order to insert a clamp that connects the two cables.
2. Check that the appliance is ready for operation: If *U400*, *E0513* or *E* appears on the appliance's display, the appliance is not connected correctly. Disconnect the appliance from the power supply and check the power cord connection at the mains supply.

Special combinations

If you install the hob above an oven made by another brand, use a wooden partition floor.

→ Fig. 16

Removing the appliance

ATTENTION!

Tools may damage the appliance.

- ▶ Never prise out the appliance from above.

1. Disconnect the appliance from the mains power supply.
2. Push out the hob from below.

