

# SIEMENS

## Tumble dryer

WT47XKH1ZA

en User manual and installation instructions



Register your product on My Siemens and discover exclusive services and offers.

[siemens-home.bsh-group.com/welcome](https://siemens-home.bsh-group.com/welcome)

The future moving in.

Siemens Home Appliances

**Further information and explanations are available online:**



## Table of contents

<b>1 Safety .....</b>	<b>4</b>	<b>8 Dryness level.....</b>	<b>23</b>
1.1 General information.....	4	8.1 Changing the dryness level.....	23
1.2 Intended use.....	4	8.2 Adjusting the dryness level .....	23
1.3 Restriction on user group.....	4	<b>9 Programmes .....</b>	<b>24</b>
1.4 Safe installation .....	5	9.1 Automatic programmes.....	24
1.5 Safe use .....	7	9.2 Timed programmes.....	25
1.6 Safe cleaning and maintenance.....	9	<b>10 Accessories.....</b>	<b>27</b>
<b>2 Preventing material damage .....</b>	<b>11</b>	<b>11 Laundry.....</b>	<b>28</b>
<b>3 Environmental protection and saving energy.....</b>	<b>11</b>	11.1 Preparing the laundry.....	28
3.1 Disposing of packaging .....	11	<b>12 Basic operation .....</b>	<b>28</b>
3.2 Saving energy.....	11	12.1 Switching on the appliance ....	28
3.3 Energy saving mode .....	12	12.2 Setting a programme .....	28
<b>4 Installation and connection.....</b>	<b>12</b>	12.3 Adjusting the programme settings .....	28
4.1 Unpacking the appliance .....	12	12.4 Loading laundry.....	28
4.2 Scope of delivery.....	12	12.5 Starting the programme .....	29
4.3 Requirements for the installation location .....	13	12.6 Adding laundry .....	29
4.4 Water drain hose.....	14	12.7 Cancelling the programme ....	29
4.5 Aligning the appliance.....	16	12.8 Unloading the laundry .....	29
4.6 Connecting the appliance to the electricity supply.....	16	12.9 Switching off the appliance ....	29
<b>5 Familiarising yourself with your appliance.....</b>	<b>17</b>	12.10 Filter system on the base unit.....	29
5.1 Appliance .....	17	12.11 Condensation container .....	31
5.2 Wool basket .....	18	<b>13 Childproof lock.....</b>	<b>32</b>
5.3 Control panel.....	18	13.1 Activating the childproof lock.....	32
<b>6 Display .....</b>	<b>19</b>	13.2 Deactivating the childproof lock.....	32
<b>7 Buttons .....</b>	<b>21</b>	<b>14 Crease-removal function .....</b>	<b>32</b>
		14.1 Starting a programme with the crease-removal function...	32
		14.2 Filling the water tank .....	33

<b>15 Wool basket.....</b>	<b>33</b>		
15.1 Inserting the wool basket .....	33	18.6 Running the intensive appli-	
15.2 Starting a programme with		appliance care programme .....	45
the wool basket.....	34	18.7 Ending the intensive appli-	
15.3 Examples of how to use the		appliance care programme .....	46
wool basket .....	35		
<b>16 Home Connect .....</b>	<b>35</b>	<b>19 Cleaning and servicing.....</b>	<b>47</b>
16.1 Setting up the Home Con-		19.1 Tips on cleaning and care ....	47
nect app .....	36	19.2 Base unit .....	48
16.2 Setting up Home Connect.....	36	19.3 Water tank filter .....	49
16.3 Activating Wi-Fi on the ap-		19.4 Moisture sensor.....	49
pliance .....	37	19.5 Condensation container fil-	
16.4 Deactivating Wi-Fi on the		ter .....	50
appliance .....	37	<b>20 Troubleshooting.....</b>	<b>52</b>
16.5 Resetting the appliance		<b>21 Transportation, storage and</b>	
network settings .....	37	<b>disposal .....</b>	<b>59</b>
16.6 Remote start.....	37	21.1 Preparing the appliance for	
16.7 Intelligent programme re-		transportation .....	59
commendation.....	38	21.2 Disposing of old appliance ...	59
16.8 Remote diagnostics .....	38		
16.9 Data protection.....	38	<b>22 Customer Service.....</b>	<b>60</b>
		22.1 Product number (E-Nr.) and	
<b>17 Basic settings.....</b>	<b>40</b>	production number (FD).....	60
17.1 Overview of basic settings ....	40	<b>23 Consumption values.....</b>	<b>61</b>
17.2 Changing the basic set-		<b>24 Technical data .....</b>	<b>62</b>
tings.....	41	<b>25 Declaration of Conformity .....</b>	<b>62</b>
<b>18 Appliance care .....</b>	<b>41</b>		
18.1 Preparing the appliance for			
the appliance care pro-			
gramme .....	41		
18.2 Preparing the condensation			
container for the appliance			
care programme.....	42		
18.3 Starting the appliance care			
programme.....	42		
18.4 Running the basic appli-			
ce care programme on			
the appliance.....	43		
18.5 Preparing the appliance for			
the intensive appliance			
care programme.....	44		



# 1 Safety

---

Observe the following safety instructions.

## 1.1 General information



- Read this instruction manual carefully.
- Keep the instruction manual and the product information safe for future reference or for the next owner.
- Do not connect the appliance if it has been damaged in transit.

## 1.2 Intended use

Only use this appliance:

- For drying and freshening up fabrics that are washed with water and suitable for dryers.
- In private households and in enclosed spaces in a domestic environment.
- Up to an altitude of max. 4000 m above sea level.

## 1.3 Restriction on user group

This appliance may be used by children aged 8 or over and by people who have reduced physical, sensory or mental abilities or inadequate experience and/or knowledge, provided that they are supervised or have been instructed on how to use the appliance safely and have understood the resulting dangers.

Do not let children play with the appliance.

Cleaning and user maintenance must not be performed by children unless they are being supervised.

Keep children under the age of 3 years and pets away from the appliance.

## 1.4 Safe installation

### **⚠ WARNING – Risk of electric shock!**

Incorrect installation is dangerous.

- ▶ Connect and operate the appliance only in accordance with the specifications on the rating plate.
- ▶ Connect the appliance to a power supply with alternating current only via a properly installed socket with earthing.
- ▶ The protective conductor system of the domestic electrical installation must be properly installed. The installation must have a sufficiently large cross section.
- ▶ When using a residual current circuit breaker, only use a type with the  mark.
- ▶ Never equip the appliance with an external switching device, e.g. a timer or remote control.
- ▶ Never connect the appliance to a circuit that is regularly switched on and off by the energy supplier.
- ▶ When the appliance is installed, the mains plug of the power cord must be freely accessible. If free access is not possible, an all-pole isolating switch must be installed in the permanent electrical installation according to the installation regulations.
- ▶ When installing the appliance, check that the power cable is not trapped or damaged.

If the insulation of the power cord is damaged, this is dangerous.

- ▶ Never let the power cord come into contact with hot appliance parts or heat sources.
- ▶ Never let the power cord come into contact with sharp points or edges.
- ▶ Never kink, crush or modify the power cord.

### **⚠ WARNING – Risk of fire!**

It is dangerous to use an extended power cord and non-approved adapters.

- ▶ Do not use extension cables or multiple socket strips.
- ▶ Only use adapters and power cords approved by the manufacturer.

- ▶ If the power cord is too short and a longer one is not available, please contact an electrician to have the domestic installation adapted.

### **⚠ WARNING – Risk of injury!**

The high weight of the appliance may result in injury when lifted.

- ▶ Do not lift the appliance on your own.

If this appliance is not correctly installed in a washer-dryer stack, the installed appliance may fall.

- ▶ Only stack the dryer on a washing machine using the connection kit from the dryer manufacturer  
→ "Accessories", Page 27. No other installation method is permitted.
- ▶ Do not install the appliance in a washer-dryer stack if the dryer manufacturer does not offer a suitable connection kit.
- ▶ Do not install appliances from different manufacturers and with varying depths and widths in a washer-dryer stack.
- ▶ Do not install a washer-dryer stack on a platform; the appliances may tip over.

### **⚠ WARNING – Risk of suffocation!**

Children may put packaging material over their heads or wrap themselves up in it and suffocate.

- ▶ Keep packaging material away from children.
- ▶ Do not let children play with packaging material.

### **⚠ CAUTION – Risk of injury!**

The appliance may vibrate or move when in use.

- ▶ Place the appliance on a clean, even, solid surface.
- ▶ Align the appliance using the appliance feet and a spirit level.

If hoses and power cords have been laid incorrectly, this causes a tripping hazard.

- ▶ Lay hoses and power cords in such a way that there is no risk of tripping.

If the appliance is moved by holding onto protruding components, such as the appliance door, the parts may break off.

- ▶ Do not move the appliance by holding onto protruding parts.

**⚠ CAUTION – Risk of cutting!**

Touching sharp edges on the appliance may lead to cuts.

- ▶ Do not touch the sharp edges on the appliance.
- ▶ Wear protective gloves when installing and transporting the appliance.

**1.5 Safe use****⚠ WARNING – Risk of electric shock!**

If the appliance or the power cord is damaged, this is dangerous.

- ▶ Never operate a damaged appliance.
- ▶ Never pull on the power cord to unplug the appliance. Always unplug the appliance at the mains.
- ▶ If the appliance or the power cord is damaged, immediately unplug the power cord or switch off the fuse in the fuse box.
- ▶ Call customer services. → *Page 60*

An ingress of moisture can cause an electric shock.

- ▶ Only use the appliance in enclosed spaces.
- ▶ Never expose the appliance to intense heat or humidity.
- ▶ Do not use steam- or high-pressure cleaners, hoses or sprays to clean the appliance.

**⚠ WARNING – Risk of harm to health!**

Children can lock themselves in the appliance, thereby putting their lives at risk.

- ▶ Do not install the appliance behind a door as this may obstruct the appliance door or prevent it from opening.
- ▶ With redundant appliances, unplug the power cord. Then cut through the cord and damage the lock on the appliance door beyond repair so that the appliance door will no longer close.

**⚠ WARNING – Risk of suffocation!**

Children may breathe in or swallow small parts, causing them to suffocate.

- ▶ Keep small parts away from children.
- ▶ Do not let children play with small parts.

**⚠ WARNING – Risk of explosion!**

If there is coal dust or flour in the air around the appliance, this may cause an explosion.

- ▶ Keep the area around the appliance clean during operation.

**⚠ WARNING – Risk of poisoning!**

Condensation water from this appliance is not suitable for drinking and may be contaminated with fluff.

- ▶ Do not drink or reuse the condensation water from the appliance.

Detergents and care products may result in poisoning if consumed.

- ▶ If accidentally swallowed, seek medical advice.
- ▶ Keep detergents and care products out of the reach of children.

**⚠ WARNING – Risk of fire!**

The refrigerant R290 in this appliance is environmentally friendly yet combustible and may ignite if it comes into contact with open flames or ignition sources.

- ▶ Keep naked flames and ignition sources away from the appli-

ance.



**⚠ WARNING – Risk of explosion!**

Highly flammable objects such as lighters or matches may ignite during the drying process.

- ▶ Remove all highly flammable objects from any pockets in your laundry before the drying process.

Unwashed laundry that has come into contact with solvents, oil, wax, wax remover, paint, grease or stain remover may ignite when drying is in progress.

- ▶ Do not place laundry in this appliance to be dried if the laundry has not been washed first.
- ▶ Rinse the laundry thoroughly with warm water and detergent before drying it in the machine.
- ▶ Do not use the appliance if industrial chemicals have been used to clean the laundry beforehand.



**⚠ WARNING – Risk of fire!**

If drying is interrupted early, the laundry is not cooled sufficiently and may ignite.

- ▶ Do not interrupt the drying programme early.
- ▶ If drying is interrupted early, remove the laundry immediately and spread it out.

**⚠ CAUTION – Risk of injury!**

The covering plate may break if you stand on or climb onto the appliance.

- ▶ Do not stand on or climb onto the appliance.

The appliance may tip over if you sit on or lean against the open door.

- ▶ Do not sit on or lean against the appliance door.
- ▶ Do not place any objects on the appliance door.

Reaching into the drum while it is still turning may cause hand injuries.

- ▶ Wait for the drum to come to a complete stop before reaching inside.

**1.6 Safe cleaning and maintenance****⚠ WARNING – Risk of electric shock!**

Incorrect repairs are dangerous.

- ▶ Repairs to the appliance should only be carried out by trained specialist staff.
- ▶ Only use genuine spare parts when repairing the appliance.
- ▶ If the power cord of this appliance is damaged, it must be replaced by the manufacturer, the manufacturer's Customer Service or a similarly qualified person in order to prevent any risk.

An ingress of moisture can cause an electric shock.

- ▶ Do not use steam- or high-pressure cleaners, hoses or sprays to clean the appliance.

** WARNING – Risk of injury!**

The use of non-original spare parts and non-original accessories is dangerous.

- ▶ Only use the manufacturer's original spare parts and original accessories.

** WARNING – Risk of poisoning!**

Poisonous fumes may be given off if you use cleaning agents that contain solvents.

- ▶ Do not use cleaning agents that contain solvents.

---

## 2 Preventing material damage

### ATTENTION!

The functionality of the appliance may be impaired if you use the wrong quantity of fabric softener, detergent, care product or cleaning agent.

- ▶ Follow the dosage recommendations from the manufacturer.

Exceeding the maximum load capacity impairs the function of the appliance.

- ▶ Observe the maximum load capacity for each programme and do not exceed it.

→ *"Programmes", Page 24*

The function of the appliance may be impaired if the appliance overheats.

- ▶ Keep the ventilation opening on the appliance clear during operation.
- ▶ Make sure that the area is adequately ventilated.

Light objects such as hair and fluff may be sucked in from the ventilation opening on the appliance during operation and impair the function of the appliance.

- ▶ Keep the area around the appliance clean during operation.
- ▶ Keep light objects away from the appliance.

Foam and foam rubber may deform or melt during the drying process.

- ▶ Do not dry laundry that contains foam or foam rubber.

Unsuitable cleaning products may damage the surfaces of the appliance.

- ▶ Do not use harsh or abrasive detergents.
- ▶ Do not use cleaning products with a high alcohol content.
- ▶ Do not use hard scouring pads or cleaning sponges.

- ▶ Clean the appliance with nothing but water and a soft, damp cloth.
- ▶ Remove all detergent residue, spray residue or other residues immediately if they come into contact with the appliance.

---

## 3 Environmental protection and saving energy

### 3.1 Disposing of packaging

The packaging materials are environmentally compatible and can be recycled.

- ▶ Sort the individual components by type and dispose of them separately.

### 3.2 Saving energy

If you follow these instructions, your appliance will use less power.

Operate the appliance in a well-ventilated room and keep the ventilation opening on the appliance clear.

- ✓ If air exchange is impeded, this extends the programme duration and increases energy consumption.

Spin the laundry in the washing machine before drying.

- ✓ Damper laundry extends the programme duration and increases energy consumption.

Observe the programme's maximum load capacity.

→ *"Programmes", Page 24*

- ✓ If the maximum load is exceeded, this extends the programme duration and increases energy consumption.

## en Installation and connection

Dry the filters in the filter system of the base unit → *Page 29* thoroughly after cleaning.


- ✓ If the filters are damp, this extends the programme duration and increases energy consumption.

Deactivate Wi-Fi on the appliance if it is not being used.

→ *"Deactivating Wi-Fi on the appliance"*, *Page 37*

- ✓ If the Wi-Fi is activated, this increases energy consumption.

### 3.3 Energy saving mode

If you do not use the appliance for an extended period, it automatically switches to energy-saving mode. All displays go out and **Start/Reload**  flashes.

Energy-saving mode ends when you use the appliance again.

If you do not continue operating the appliance, it switches off.

**Note:** If Wi-Fi is activated, the appliance will not switch itself off automatically.

---

## 4 Installation and connection

### 4.1 Unpacking the appliance

#### **ATTENTION!**

Objects remaining in the drum that are not designed for operation with the appliance may cause material damage and damage to the appliance.

- ▶ Remove these objects, along with all supplied accessories, from the drum before starting the appliance.

1. Remove any packaging and protective covers completely from the appliance.

→ *"Disposing of packaging"*, *Page 11*

2. Check the appliance for visible damage.
3. Open the appliance door.  
→ *"Basic operation"*, *Page 28*
4. Remove any accessories from the drum.
5. Close the appliance door.

### 4.2 Scope of delivery

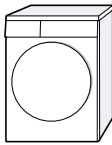

After unpacking all parts, check for any damage in transit and completeness of the delivery.


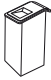

#### **ATTENTION!**

If the appliance is operated with incomplete or defective accessories, the appliance may not be able to operate properly, or this may result in material damage or damage to the appliance.

- ▶ Do not operate the appliance with incomplete or defective accessories.
- ▶ Replace the accessories in question before operating the appliance.

→ *"Accessories"*, *Page 27*

Included with the appliance	Description
	Tumble dryer
	Accompanying documents

Included with the appliance	Description
	Water drain hose with connection adapter, fixing material and elbow. → "Water drain hose", Page 14
	Water jug → "Filling the water tank", Page 33
	Wool basket with insert → "Wool basket", Page 33

### 4.3 Requirements for the installation location

#### ATTENTION!

If the appliance is tilted at an angle greater than 40°, residual water may leak out of the appliance and cause material damage.

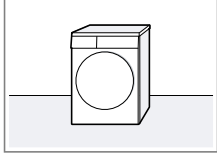
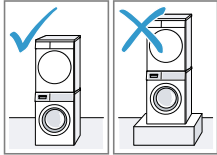
- ▶ Tilt the appliance carefully.
- ▶ Transport the appliance in an upright position.

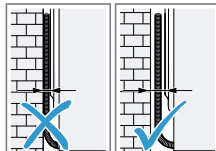
If residual water in the appliance freezes, this may cause damage to the appliance.

- ▶ Do not install or operate this appliance anywhere that is liable to experience frost or outdoors.

If the appliance is operated immediately after transportation, the refrigerant contained in the appliance may result in damage to the appliance.

- ▶ Immediately after transporting the appliance, leave it to rest for two hours before putting it into operation.

Installation location	Requirements
On the floor 	Place the appliance on a clean, level and firm surface. Align the appliance → Page 16.
In a washer-dryer stack 	Only use the original connection set from the dryer manufacturer when setting up this appliance in a washer-dryer stack. <ul style="list-style-type: none"> <li>■ Connection kit with pull-out worktop → Page 27</li> <li>■ Connection kit → Page 27</li> </ul> This appliance must only be stacked on a washing machine from the same manufacturer. The depth and width of this appliance must correspond with the dimensions of the washing machine. Do not place the washer-dryer stack on a platform.

Installation location	Requirements
<p>Against a wall</p> 	<p>Do not trap the hoses and power cord between the wall and the appliance.</p>

## 4.4 Water drain hose

Condensation forms during drying, which your appliance uses for automatic cleaning. Use the water drain hose to drain away excess condensation directly into the waste water system.

### Notes

- Operate this appliance using the water drain hose provided. If you connect the water drain hose → *Page 14*, you do not have to regularly empty the condensation container → *Page 31*.
- You can order this optional → *"Accessories", Page 27* from our customer service.

### Connecting the water drain hose

If you do not want to regularly empty the appliance's condensation container, connect the water outlet hose.

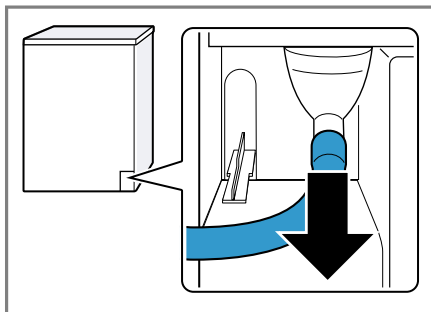
### ATTENTION!

When operating the appliance without the water drain hose being connected properly, liquid may leak out of the connecting piece.

- ▶ Before operating the appliance, connect the water drain hose properly to the connecting piece.

### Requirements

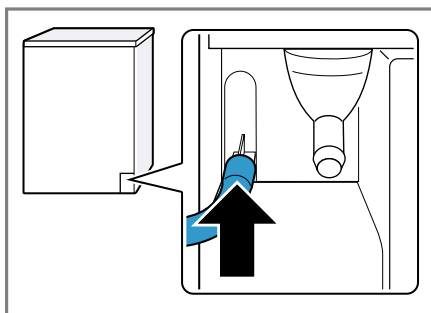
- The appliance and the accessory have been unpacked.  
→ *"Unpacking the appliance", Page 12*
  - The appliance is installed at the installation location.  
→ *"Requirements for the installation location", Page 13*
1. Pull out the condensation hose from the connecting piece.



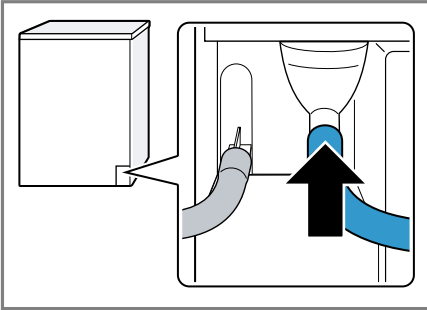
The condensation hose is connected to the connecting piece at the factory.

**Note:** When removing the condensation hose, liquid may leak out of the connecting piece.

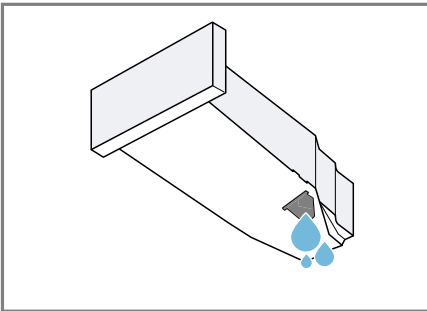
2. Push the condensation hose into the holder.



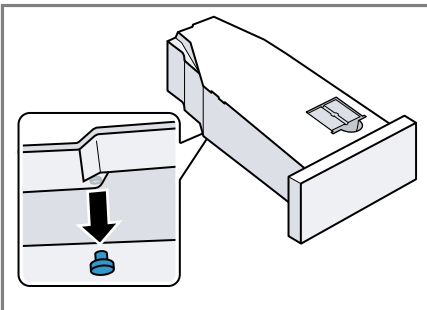
3. Push the water drain hose as far as it will go into the connecting piece.



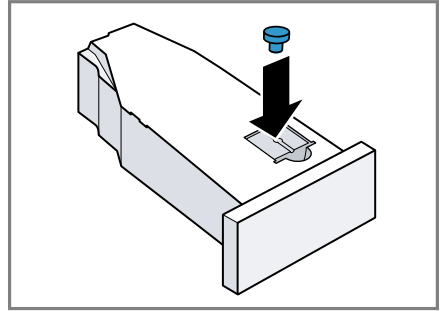
4. Empty the condensation container → Page 31.



5. Remove the stopper on the underside.



6. Insert the stopper into the recess in the top.



7. Insert the condensation container → Page 32.  
 8. Connect the appliance to the water outlet.  
 → "Water outlet connection types", Page 15

**Tip:** To collect condensation in the condensation container again (e.g. if you change where the appliance is located), carry out these steps in reverse order.

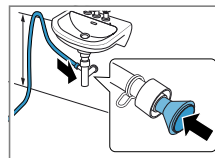
### Water outlet connection types

#### ATTENTION!

In the event of a blocked or covered outlet, accumulated wastewater can flow back into the appliance.

- ▶ Before operating the appliance, ensure that the wastewater drains away quickly and eliminate any blockages.

Drainage into a siphon.

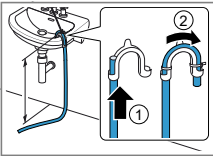


Secure the connection point with a (12-22 mm) hose clamp.

Secure the water drain hose with a hose guide at a height of at least 80 cm and no more than 100 cm.

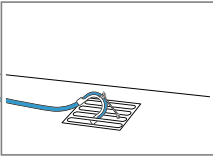
**Note:** You can use the Y-distributor → *Page 27* to connect the water drain hose of an additional appliance, such as a washing machine, to the same siphon outlet.

Drainage into a wash basin.



Push the water drain hose fully through the and secure it using fixing material. Secure the elbow at a height of no more than 100 cm.

Drainage into a gully.

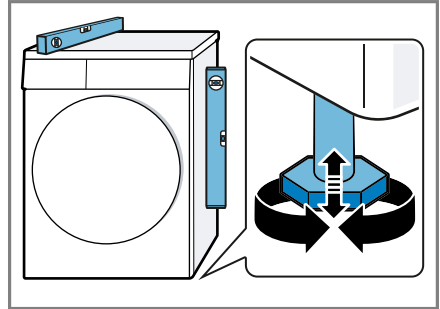


Push the water drain hose fully through the and secure it using fixing material. Secure the elbow to the gully.

## 4.5 Aligning the appliance

In order to reduce vibrations and noises, align the appliance correctly.

- ▶ To align the appliance, turn the appliance feet. Check that the appliance is level using a spirit level.



All appliance feet must stand firmly on the ground.

## 4.6 Connecting the appliance to the electricity supply

1. Insert the mains plug of the appliance's power cable in a socket nearby.

The connection details of the appliance can be found under Technical data → *Page 62*.

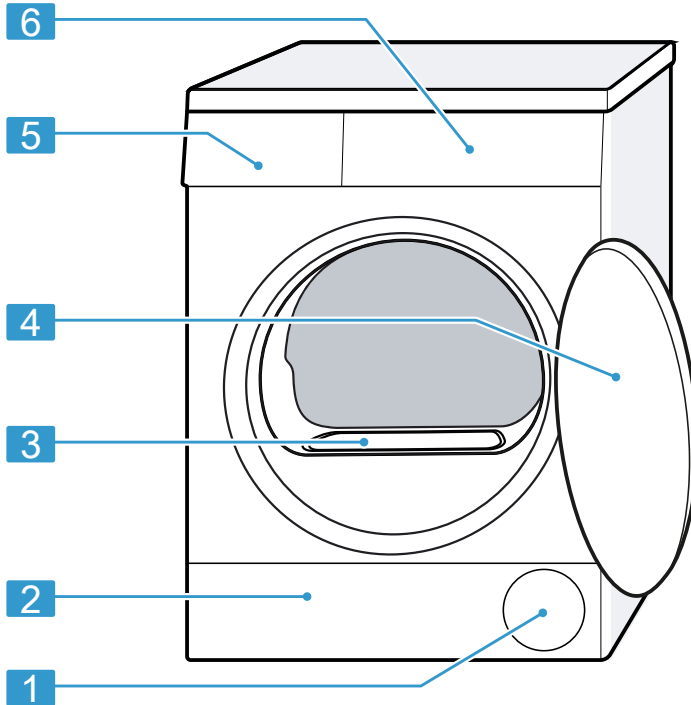
2. Check the mains plug is inserted properly.



## 5 Familiarising yourself with your appliance

### 5.1 Appliance

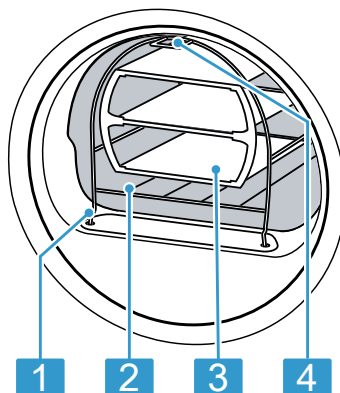
You can find an overview of the parts of your appliance here.



On certain models, specific details such as the colour and shape may differ from those pictured.

<b>1</b>	Ventilation opening
<b>2</b>	Maintenance flap on the base unit → <i>Page 48</i>
<b>3</b>	Air channel cover (do not remove)
<b>4</b>	Door
<b>5</b>	Condensation container → <i>Page 31</i>
<b>6</b>	Control panel → <i>Page 18</i>

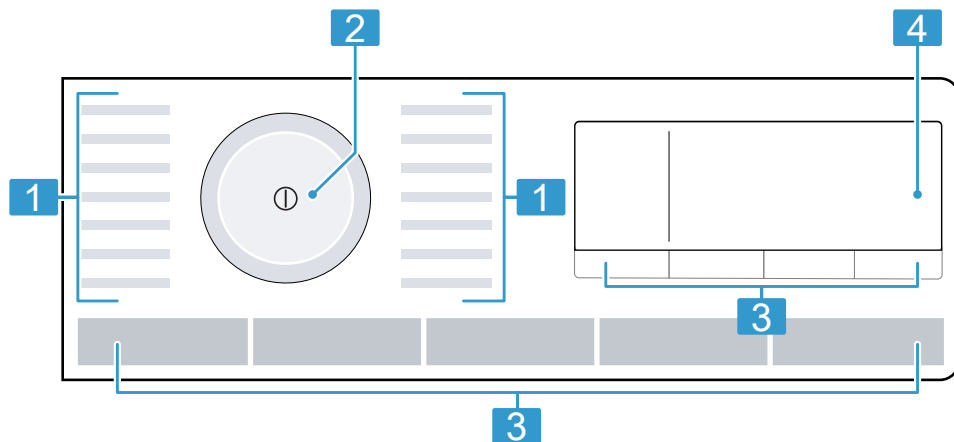
## 5.2 Wool basket



- |   |                              |
|---|------------------------------|
| 1 | Securing foot                |
| 2 | Wool basket                  |
| 3 | Insert                       |
| 4 | Tab for securing in the hook |

## 5.3 Control panel

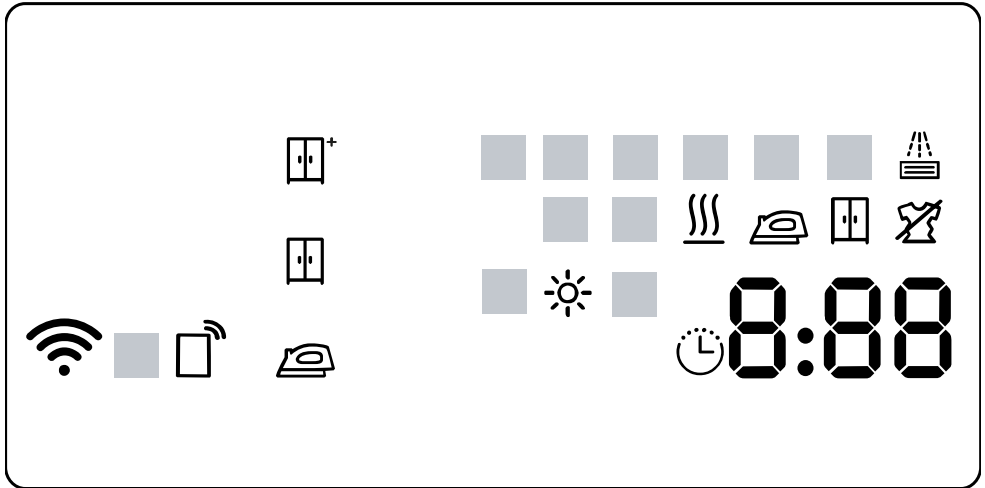
You can use the control panel to configure all functions of your appliance and to obtain information about the operating status.



- |   |                                 |
|---|---------------------------------|
| 1 | Programmes → Page 24            |
| 2 | Programme selector<br>→ Page 28 |
| 3 | Buttons → Page 21               |
| 4 | Display → Page 19               |







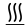




## 6 Display

The display shows the current settings, options or relevant information.









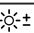

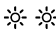


Display	Designation	Description
0:40 <sup>1</sup>	Programme duration/programme time remaining	Expected programme duration or programme time remaining in hours and minutes.
0:45	Timed programme	The timed programme is set. → "Timed programmes", Page 25
10h <sup>1</sup>	"Ready in" time	→ "Buttons", Page 22
	Dryness level: Iron Dry	The dryness level is activated. → "Buttons", Page 21
	Dryness level: Cupboard Dry	The dryness level is activated. → "Buttons", Page 21
	Dryness level: Cupboard Dry Plus	The dryness level is activated. → "Buttons", Page 21
	Dryness level adjusted	The adjusted dryness level is activated. → "Dryness level", Page 23
	Condensation container	Empty the condensation container → Page 31. Insert the condensation container → Page 32.





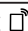
<sup>1</sup> Example

Display	Designation	Description
	Filter system on the base unit	Clean the filter system on the base unit → <i>Page 29</i> .
CrE	Basic appliance care programme	Run the basic appliance care programme. → <i>"Running the basic appliance care programme on the appliance", Page 43</i>
	Water tank	Fill the water tank → <i>Page 33</i> for the crease-removal function.
Hot	Cooling process	The laundry is cooled while the drum is rotating, in order to avoid damage to the laundry. The process can be cancelled by opening the door. <b>Note:</b> Do not change the programme.
	Automatic self-cleaning	The automatic self-cleaning function rinses the appliance's heat exchanger. <b>Note:</b> Do not remove the condensation container and do not interrupt the programme.
	Wi-Fi	<ul style="list-style-type: none"> <li>■ Lights up: The appliance is connected to your home network.</li> <li>■ Flashes: The appliance is trying to connect to your home network.</li> </ul> → <i>"Home Connect ", Page 35</i>
	Remote start	Remote start is activated. → <i>"Buttons", Page 22</i>
	Energy manager	The appliance is connected to the smart energy system (energy manager).
	Drying	Programme status
	Dryness level: Iron Dry	Programme status
	Dryness level: Cupboard Dry	Programme status
	Anti-crease	Programme status
	Crease-removal function	Programme status
-P-	Pause	Programme status
-0-	End of programme	Programme status
<sup>1</sup> Example		

## 7 Buttons




Below is an overview of the buttons and their setting options.

Button	Selection	Description
Start/Reload 	<ul style="list-style-type: none"> <li>■ Start</li> <li>■ Cancel</li> <li>■ Pause</li> </ul>	Start, cancel or pause the programme.
① (mains switch)	<ul style="list-style-type: none"> <li>■ Switch on</li> <li>■ Switch off</li> </ul>	Switch the appliance on or off.
Child lock 3 sec. 	<ul style="list-style-type: none"> <li>■ Activate</li> <li>■ Deactivate</li> </ul>	<p>Activate or deactivate the childproof lock.</p> <p>Disable the control panel to prevent unwanted or accidental operation.</p> <p>If the childproof lock is activated and the appliance has been switched off, the childproof lock remains activated.</p> <p>→ "Childproof lock", Page 32</p>
Drying aim 	<ul style="list-style-type: none"> <li>■ </li> <li>■ </li> <li>■ </li> </ul>	<p>The dryness level defines how damp or dry the laundry is after the programme ends.</p> <p>→ "Dryness level", Page 23</p>
Fine adjust 	<ul style="list-style-type: none"> <li>■ </li> <li>■ </li> <li>■ </li> </ul>	<p>Adjust the dryness level.</p> <p>If the laundry feels too damp after it has been dried to a particular dryness level, you can adjust the dryness level.</p> <p>→ "Adjusting the dryness level", Page 23</p>
Anti-crease 60' 	<ul style="list-style-type: none"> <li>■ Activate</li> <li>■ Deactivate</li> </ul>	<p>Activate or deactivate the crease-reduction function.</p> <p>Once the programme has ended, the drum moves the laundry at regular intervals for 60 minutes to prevent creasing.</p>

Button	Selection	Description
Anti-crease 120' 	<ul style="list-style-type: none"> <li>■ Activate</li> <li>■ Deactivate</li> </ul>	<p>Activate or deactivate the crease-reduction function.</p> <p>Once the programme has ended, the drum moves the laundry at regular intervals for 120 minutes to prevent creasing.</p>
Gentle 	<ul style="list-style-type: none"> <li>■ Activate</li> <li>■ Deactivate</li> </ul>	<p>Activate or deactivate gentle drying.</p> <p>The temperature is reduced for delicate fabrics, e.g. polyacrylic or elastane.</p> <p>The programme duration is extended.</p>
Ready in  +	<ul style="list-style-type: none"> <li>■ Programme end</li> <li>■ Programme length</li> </ul>	<ul style="list-style-type: none"> <li>■ Set the programme end.</li> <li>The programme duration is already included in the set number of hours.</li> <li>Once the programme has started, the programme duration is displayed.</li> <li>■ Set the programme duration for timed programmes.</li> <li>→ <i>"Timed programmes"</i>, Page 25</li> </ul>
Signal 	<ul style="list-style-type: none"> <li>■ Activate</li> <li>■ Deactivate</li> </ul>	<p>Activate or deactivate operating signals and information signals.</p>
Remote start 	<ul style="list-style-type: none"> <li>■ Activate</li> <li>■ Deactivate</li> <li>■ Open the Home Connect menu</li> </ul>	<p>→ <i>"Remote start"</i>, Page 37</p>

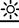
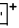


## 8 Dryness level

Each automatic programme has a specified dryness level. The dryness level defines how dry or damp your laundry is after the programme ends.

Dryness level	Laundry	Drying result
	Multi-layered, thick laundry that does not dry readily.	The laundry is dry.
	Normal, single-layered laundry.	The laundry is dry.
	Normal, single-layered laundry	The laundry is still a little damp after drying. To prevent creasing after drying, iron the laundry or hang it up.

### 8.1 Changing the dryness level

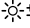

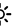



For some automatic programmes, you can change the dryness level so that your laundry will be drier or more damp.


1. Set an automatic programme.  
→ "Automatic programmes",  
Page 24
- ✓ The display shows the specified dryness level.
2. Press **Drying aim** .
- ✓ The display shows: ,  or 

**Note:** If you change this setting, the change is retained even after the appliance is switched off.  
For the **Cottons**  programme, the change is not saved.

### 8.2 Adjusting the dryness level

If the laundry feels too damp after it has been dried to a particular dryness level, you can adjust the dryness level.

1. Set an automatic programme.  
→ "Automatic programmes",  
Page 24
- ✓ The display shows the specified dryness level.
2. Press **Fine adjust** .
- ✓ The display shows: ,   or  .

**Note:** If you change this setting, the change is retained even after the appliance is switched off.  
For the **Cottons**  programme, the change is not saved.

## 9 Programmes

You can dry your fabrics using either an automatic programme or a timed programme.









### 9.1 Automatic programmes

Automatic programmes are programmes in which humidity sensors measure the residual moisture in the laundry during the drying cycle. The programme only ends once the set dryness level is reached.


Each automatic programme has a dryness level → *Page 23*. The dryness level defines how dry or damp the laundry is after the programme ends.

#### Tips

- Select the dryness level according to the type of fabric or the desired drying result.  
→ *"Dryness level", Page 23*
- The laundry's care labels provide you with additional information about programme selection.

Programme	Description	Max. load (kg)
Cottons 	Dry hard-wearing, heat-resistant fabrics made of cotton or linen.	9.0
Easy-care 	Dry items made of synthetic materials or blended fabrics.	3.5
Mix 	Dry items made of cotton and synthetics.	3.0
Lingerie 	Dry delicate underwear made of lace, Lycra, satin or blended fabrics.	2.0
 Outdoor	Dry weatherproof and outdoor clothing with a membrane coating and water-repellent fabrics.	1.5
 Shirts	Suitable for shirts and blouses made of cotton, linen, synthetics or blended fabrics. <b>Note:</b> For optimal drying results, dry a maximum of 5 shirts or 5 blouses at the same time. Once the laundry is dry, iron it or hang it up. The residual moisture is then distributed evenly.	1.5
 Rapid 40'	Dry items made of synthetics and light cotton.	1.0
 Towels	Dry hard-wearing, heat-resistant towels and dressing gowns made of cotton or linen.	6.0









Programme	Description	Max. load (kg)
intelligentDry 	<p>After you have washed your laundry in the washing machine, the dryer will recommend a suitable programme for drying your laundry.</p> <p><b>Note:</b> The washing machine must be Home Connect-capable. The washing machine and dryer must be connected to your home network and registered in your Home Connect app. The selectable programme settings depend on the selected programme.</p>	–

## 9.2 Timed programmes

Timed programmes are programmes with a defined or adjustable programme duration. The programme ends once this time has elapsed, even if the laundry is still not dry, for example. Timed programmes are suitable for drying individual items of laundry or thin fabrics.

**Tip:** The laundry's care labels provide you with additional information about programme selection.

Programme	Description	Max. load (kg)
Wool in basket 	<p>Dry items made of wool or containing wool.</p> <p><b>Note:</b> Dry these items only using the wool basket. → <i>"Wool basket", Page 33</i></p>	One item of laundry
 Business smartFinish	<p>Reduce creasing and air-borne odours on dry suits, jackets and trousers that have hardly been worn and are labelled as dry-clean only. → <i>"Crease-removal function", Page 32</i></p> <p><b>Notes</b></p> <ul style="list-style-type: none"> <li>■ Remove the laundry immediately after the programme has ended to prevent creasing.</li> <li>■ The laundry is not dried or washed.</li> <li>■ The programme is not suitable for thin, lightweight summer suits.</li> </ul>	One suit or two items of laundry

Programme	Description	Max. load (kg)
 5 Shirts smartFinish	Reduce creasing and air-borne odours on shirts and blouses that have been worn once. → "Crease-removal function", Page 32	2 to 5 items of laundry
 1 Shirt smartFinish	Reduce creasing and air-borne odours on shirts and blouses that have been worn once. → "Crease-removal function", Page 32	One item of laundry
Time program warm 	Dry all types of fabric except for wool and silk. Suitable for pre-dried or slightly damp laundry and for drying off multi-layered, thick laundry.	3.0
intelligentDry 	After you have washed your laundry in the washing machine, the dryer will recommend a suitable programme for drying your laundry. <b>Note:</b> The washing machine must be Home Connect-capable. The washing machine and dryer must be connected to your home network and registered in your Home Connect app. The selectable programme settings depend on the selected programme.	–

## 10 Accessories

Use original accessories. These have been made especially for your appliance.

**Note:** Some accessories are available in other colours. Contact → "Customer Service", Page 60.

	Use	Order number
Connection kit	To save space, stack the appliance on a suitable washing machine of the same width and depth and that is from the same manufacturer.	WZ27410
Connection kit with pull-out worktop	To save space, stack the appliance on a suitable washing machine of the same width and depth and that is from the same manufacturer. The pull-out worktop makes it easier to load and unload the appliance.	WZ27400
Wool basket	Dry or air individual woollen items, sports shoes and soft toys.	WZ20600
Y-distributor	Connect the water drain hose of an additional appliance to the same siphon outlet.	15000490
Appliance care product	Spare part for the intensive appliance care function.	00311829

---

## 11 Laundry

### 11.1 Preparing the laundry

#### ATTENTION!

Objects remaining in the laundry may damage the laundry and the drum.

- ▶ Remove all items from any pockets in your laundry before using the appliance.

#### Note

The appliance and fabrics are protected when you prepare your laundry.

- Brush off sand and soil
- Sort the laundry according to colour and textiles and observe the care labels
- Close all zips, Velcro fasteners, hooks and eyes
- Remove curtain fittings and lead strips
- Wash small or particularly delicate items in a mesh washing bag
- Load the laundry unfolded into the drum
- Spin the laundry before drying
- Dry woollen items, sports shoes and soft toys in the wool basket  
→ "Wool basket", Page 33

---

## 12 Basic operation

### 12.1 Switching on the appliance

**Requirement:** The appliance has been correctly installed and connected.

→ "Installation and connection", Page 12

- ▶ Press ①.

The switch-on process takes a few seconds.

**Note:** The lighting for the drum goes out automatically.

### 12.2 Setting a programme

1. Turn the programme selector and set the required programme.  
→ "Programmes", Page 24
2. If required, adjust the programme settings.  
→ "Adjusting the programme settings", Page 28

### 12.3 Adjusting the programme settings

Depending on the programme and programme progress, you can adjust or activate/deactivate the settings.

**Requirement:** A programme is set.  
→ "Setting a programme", Page 28

- ▶ Adjust the programme settings.  
→ "Buttons", Page 21

**Note:** The programme settings are not saved permanently for the programme.

### 12.4 Loading laundry

**Note:** To prevent creasing, note the maximum load for the programmes.  
→ "Programmes", Page 24

#### Requirements

- The laundry is prepared and sorted.  
→ "Laundry", Page 28
  - The drum is empty.
1. Open the door.
  2. Place the laundry in the drum.
  3. Close the door.  
Ensure that there is no laundry trapped in the door.

## 12.5 Starting the programme

**Requirement:** A programme is set.  
→ "Setting a programme", Page 28

- ▶ Press **Start/Reload** ▷▢▢.
- ✓ The display shows the programme duration or the "Ready in" time.
- ✓ After the programme has ended, the display shows: "-0-".

**Note:** If "Hot" appears, the appliance cools the laundry.  
When "Hot" goes out, the laundry has cooled down.

## 12.6 Adding laundry

After the programme starts, you can remove or add laundry at any time.

1. Press **Start/Reload** ▷▢▢.

The cooling process starts automatically after approximately 30 seconds and cools down the laundry while the drum is rotating. If you want to avoid or cancel the cooling process, open the door.  
→ "Display", Page 20

2. Open the door.
3. Add or remove laundry.
4. Close the door.
5. Press **Start/Reload** ▷▢▢.

## 12.7 Cancelling the programme

1. Press **Start/Reload** ▷▢▢.
2. Open the door.
3. Remove the laundry.  
→ "Unloading the laundry", Page 29

## 12.8 Unloading the laundry

1. Open the door.
2. Remove the laundry from the drum.

## 12.9 Switching off the appliance

- ▶ Press ①.

## 12.10 Filter system on the base unit


During drying, fluff from the laundry is collected in the base unit's filter system. The filter system protects the appliance from fluff.

### Cleaning the filter system on the base unit

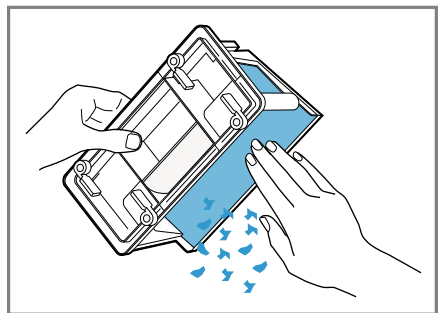
If the display shows a notification while the appliance is in operation, clean the base unit's filter system.

#### Notes

- You can clean the filter regularly system even without the notification being shown on the display. It is not necessary to clean after each drying cycle.
- If you do not clean the appliance as described, the appliance's functionality may be impaired.

**Requirement:** The display shows the following during operation: .

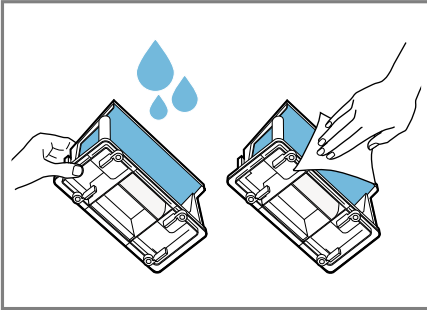
1. Open the base unit → Page 48.
2. Remove the fluff.



Make sure that you remove all dirt from the seal.

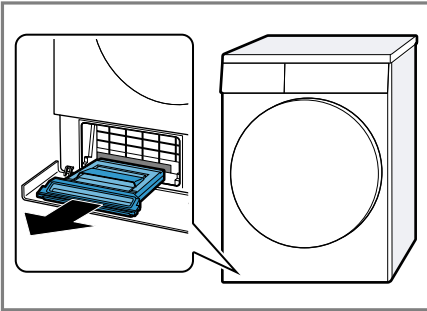
en operation

3. Clean the insides thoroughly under running water and then dry them off.



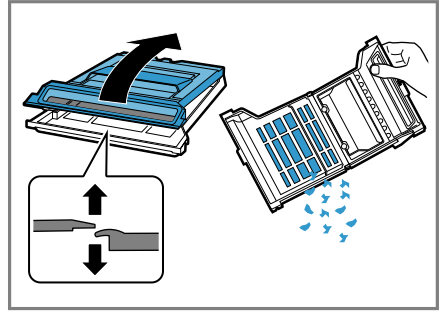
You can remove heavy soiling carefully with a soft brush. Ensure that you thoroughly dry off the filter. If the filter is damp, this may increase the drying time and affect the drying result.

4. Pull the fluff collector out horizontally.

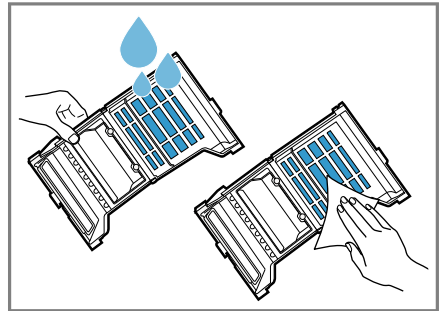


The fluff collector may contain condensation, which may drip out of it when you pull it out.

5. Open the fluff collector and remove any fluff.

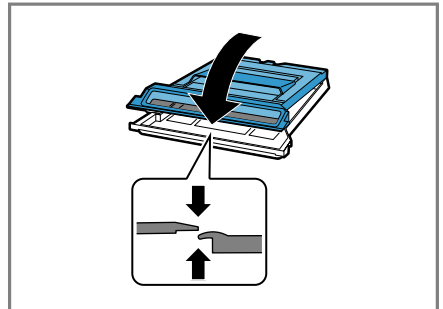


6. Clean the filter thoroughly under running water and then dry it off.

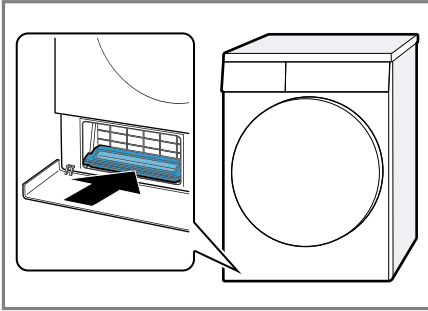


You can remove heavy soiling carefully with a soft brush. You must not damage or remove the fluff collector's seal. You can clean the fluff collector in the dishwasher.

7. Close the fluff collector until the tab engages.



- Slide the fluff collector in horizontally as far as it will go.



- Close the base unit → Page 48.

## 12.11 Condensation container


Condensation forms during drying, which your appliance uses for automatic cleaning. By default, the condensation is collected in the appliance's condensation container.

**Note:** Operate this appliance using the water drain hose provided. If you connect the water drain hose → Page 14, you do not have to regularly empty the condensation container → Page 31.

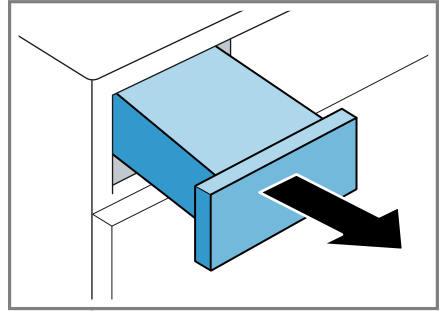
### Emptying the condensation container

If the drying programme has finished or the display shows a notification while the appliance is in operation, empty the condensation container.

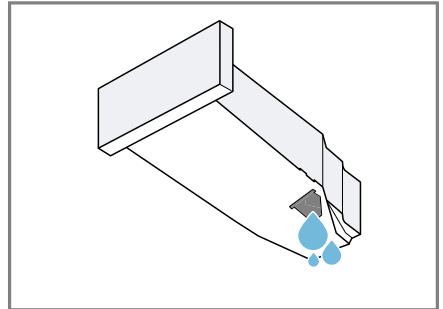
#### Requirements

- The display shows the following after drying: "-0-"
- or the display shows the following during operation:  .

- Pull out the condensation container, keeping it level.



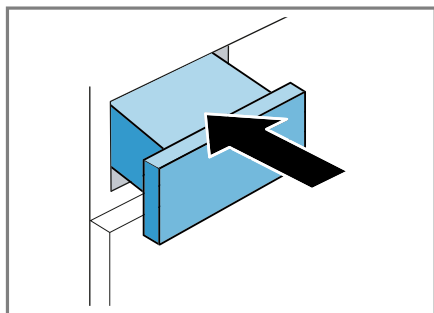
- Empty the condensation container.



Check the condensation container filter → Page 50 regularly and clean the filter if it is dirty. Make sure that you insert the condensation container before operating the appliance.  
→ "Inserting the condensation container", Page 32

## Inserting the condensation container

- ▶ Push the condensation container in as far as it will go.




---

## 13 Childproof lock


Secure your appliance against being operated unintentionally using the controls.

### 13.1 Activating the childproof lock

- ▶ Press and hold the two **Child lock 3 sec.**  buttons for approx. 3 seconds.
- ✓ The controls are locked.
- ✓ The childproof lock remains active even after the appliance has been switched off and in the event of a power failure.

### 13.2 Deactivating the childproof lock

**Requirement:** To deactivate the childproof lock, the appliance must be switched on.

- ▶ Press and hold the two **Child lock 3 sec.**  buttons for approx. 3 seconds.

---

## 14 Crease-removal function

In order to reduce creasing and airborne odours, such as cigarette smoke, you can use a programme with a crease-removal function for any laundry that has not been worn for long.


### 14.1 Starting a programme with the crease-removal function

#### Note

Wash items of laundry that have traces of sweat, perfume or deodorant before wearing them again. Do not use dryer cleaning sets. Do not use a programme with the crease-removal function for the following fabrics:

- Wool, leather and viscose
- Fabrics with parts made from metal, wood or plastic
- Waxed jackets and oilskin jackets

#### Requirements

- The laundry is prepared.  
→ "Preparing the laundry", Page 28
  - The laundry is sorted.
  - The laundry is placed in the appliance.  
→ "Loading laundry", Page 28
1. Set a programme with crease-removal function.  
→ "Timed programmes", Page 25
  2. Start the programme.  
→ "Starting the programme", Page 29
- If the water tank is empty, the display shows:  .  
→ "Filling the water tank", Page 33



The average programme duration of the crease-removal function is approx. 45 minutes and may be longer or shorter depending on the ambient temperature.

- ✓ After the programme has ended, the display shows: "-0-".

3. Remove the laundry.  
→ *"Unloading the laundry"*, Page 29

The results of the crease-removal function may vary depending on the type of fabric, the amount of laundry and the selected programme.

Remove the laundry immediately after the programme has ended to prevent creasing.

4. Hang up the items of laundry and pull them into shape.

## 14.2 Filling the water tank


Your appliance removes the creases from rarely worn clothing using cold drinking water. If the display shows a notification while the appliance is in operation, fill the water tank.

### ATTENTION!

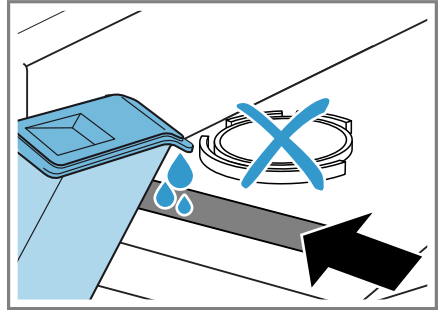
Operating the appliance with water that is dirty or too hot may result in damage to the appliance.

- ▶ Only fill the water tank with cold drinking water.
- ▶ Never use condensed water, distilled water, additives or descaler for the crease-removal function.

### Requirements

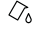
- You have started a programme with the crease-removal function.  
→ *"Starting a programme with the crease-removal function"*, Page 32
- The display shows: .
- The condensation container → Page 31 is removed from the appliance.

1. Add approx. 180 ml cold drinking water through the front opening, using the water jug provided.




Check the water tank filter regularly and clean the filter if it is dirty.

→ *"Cleaning the water tank filter"*, Page 49

If  does not go out on the display, add cold drinking water through the front opening and align the appliance correctly.

→ *"Aligning the appliance"*, Page 16

- ✓  goes out on the display.
2. Insert the condensation container.  
→ *"Inserting the condensation container"*, Page 32
  3. Start the programme.  
→ *"Starting a programme with the crease-removal function"*, Page 32

## 15 Wool basket

Use the wool basket to gently dry delicate fabrics, soft toys or sports shoes in a stationary position.

**Note:** You can order this optional → *"Accessories"*, Page 27 from our customer service.

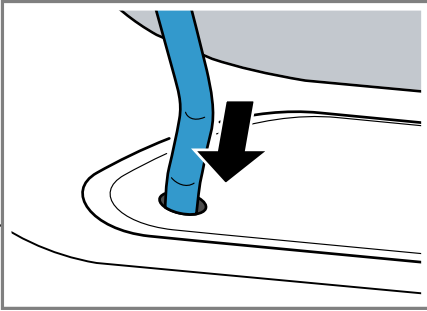
### 15.1 Inserting the wool basket

1. Open the door.

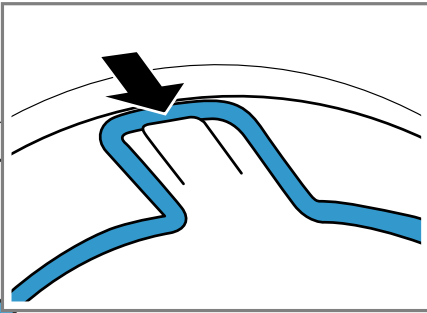
**en** Wool basket

Make sure that the drum is empty.

2. Insert the feet of the wool basket into the holes in the air channel cover.



3. Insert the tab on the front of the wool basket into the upper hooks.



## 15.2 Starting a programme with the wool basket

### ATTENTION!

If items of laundry in the wool basket touch the rotating drum or the ribs of the drum, the laundry may cause material damage and damage to the appliance.

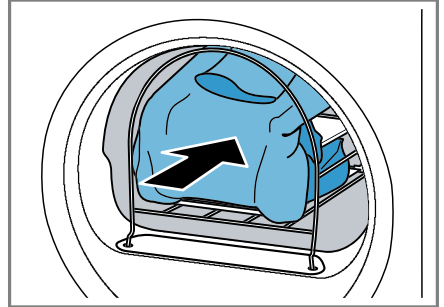
- ▶ Place the items of laundry in the insert or wool basket such that they do not touch the drum or the ribs of the drum.

**Requirement:** The wool basket is inserted into the appliance.

→ "Inserting the wool basket", Page 33

1. Place the laundry into the wool basket, either directly or using the insert.

→ "Examples of how to use the wool basket", Page 35



2. Close the door.
3. Set the programme for the wool basket or a timed programme.  
→ "Programmes", Page 24
4. If necessary, adjust the duration of the timed programme.  
→ "Buttons", Page 22

Observe the recommended programme duration for items of laundry in the wool basket:

Laundry item	Programme duration in hours:minutes
Thin woollen pullover	Approx. 1:20
Thick woollen pullover	Approx. 1:30 - 3:00
Skirt	Approx. 1:00 - 1:30
Trousers	Approx. 1:00 - 1:30
Gloves	Approx. 0:30

Laundry item	Programme duration in hours:minutes
Sports shoes	Approx. 1:30/ max. 2:00 with airing

**Tip:** Increase the programme duration for thick or multi-layered items of laundry.

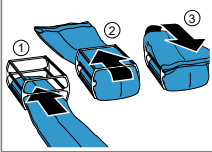
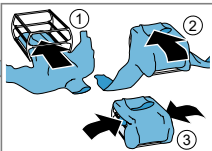
- Start the programme → *Page 29*.
- Remove the wool basket once the programme has ended.

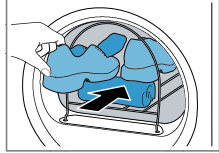
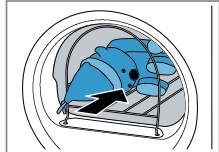
### 15.3 Examples of how to use the wool basket

#### ATTENTION!

If items of laundry in the wool basket touch the rotating drum or the ribs of the drum, the laundry may cause material damage and damage to the appliance.

- Place the items of laundry in the insert or wool basket such that they do not touch the drum or the ribs of the drum.

Example	Use
 <p>Trousers or skirt</p>	<p>Place the items of laundry unfolded into the insert.</p> <p><b>Note:</b> Spin the laundry before drying.</p>
 <p>Pullover</p>	

Example	Use
<p>Sports shoes</p> 	<p>Lift the tongues of the shoes. Remove the in-soles or heel cushions. Place a rolled-up hand towel in the wool basket to create an inclined surface. Place the shoes on the towel with the heels facing down.</p> <p><b>Note:</b> Do not use the insert. Do not dry leather shoes or shoes with leather parts.</p>
<p>Soft toys</p> 	<p>Place the soft toy in the wool basket.</p> <p><b>Note:</b> Do not use the insert. If you place numerous or small soft toys in the wool basket, make sure they do not fall out.</p>

## 16 Home Connect

This appliance is network-capable. Connecting your appliance to a mobile device lets you control its func-

tions via the Home Connect app, adjust its basic settings and monitor its operating status.

**Note:** You can find further information in the digital instruction manual by scanning the QR code in the table of contents or on [siemens-home.bsh-group.com](http://siemens-home.bsh-group.com).

The Home Connect services are not available in every country. The availability of the Home Connect function depends on the availability of Home Connect services in your country. You can find information about this at: [www.home-connect.com](http://www.home-connect.com).

The Home Connect app guides you through the entire login process. Follow the instructions in the Home Connect app to configure the settings.

### Tips

- Please consult the documents supplied by Home Connect.
- Please also follow the instructions in the Home Connect app.

### Notes

- Please note the safety precautions in this instruction manual and make sure that they are also observed when operating the appliance via the Home Connect app.  
→ "Safety", Page 4
- Operating the appliance on the appliance itself always takes priority. During this time it is not possible to operate the appliance using the Home Connect app.

## 16.1 Setting up the Home Connect app

1. Install the Home Connect app on the mobile device.



2. Start the Home Connect app and set up access for Home Connect. The Home Connect app guides you through the entire login process.

## 16.2 Setting up Home Connect

### Requirements

- The Home Connect app has been installed on your mobile device.
  - Wi-Fi has been activated on the router.
  - The appliance is receiving signals from the WLAN home network (Wi-Fi) at its installation location.
1. Use the Home Connect app to scan the QR code.



2. Follow the instructions in the Home Connect app.



## 16.3 Activating Wi-Fi on the appliance

**Note:** When Wi-Fi is activated, the energy consumption increases in comparison to the values specified in the consumption value table.

1. Press and hold **Remote start**  for approx. 3 seconds.
2. Set the programme to position 4.
  - ✓ The display shows **Con** .
3. Press **Start/Reload**  repeatedly until the display shows **on** .
  - ✓ Wi-Fi is activated.




**Note:** If Wi-Fi is activated, the appliance will not switch itself off automatically.

## 16.4 Deactivating Wi-Fi on the appliance

1. Press and hold **Remote start**  for at least three seconds.
2. Set the programme to position 4.
  - ✓ The display shows **Con** .
3. Press **Start/Reload**  repeatedly until the display shows **OFF** .
  - ✓ Wi-Fi is deactivated.

**Note:** The connection is automatically re-established when the Wi-Fi is switched back on.

## 16.5 Resetting the appliance network settings

1. Press and hold **Remote start**  for at least 3 seconds.
2. Set the programme to position 5.
  - ✓ The display shows **rES** .
3. Press **Start/Reload**  .
  - ✓ The display shows "YES" .
4. Press **Start/Reload**  .



- ✓ The network settings are reset.
- ✓ If **End** is shown on the display, the network settings are reset.

## 16.6 Remote start


Enable the appliance for remote start via the Home Connect app.

### Activating remote start

#### Notes

- Remote start is deactivated for safety reasons in the following circumstances:
  - Open the appliance door.
  - Press **Start/Reload**  .
  - Press **Remote start**  .
  - Switch off the appliance.
  - Following a power cut.
- Remote start cannot be activated for safety reasons in the following circumstances:
  - The appliance door is open.
  - The refresher tank is empty.

#### Requirements

- The appliance is connected to your Wi-Fi home network.
- The appliance is connected to the Home Connect app.
- A programme is selected.
- ▶ Press **Remote start**  .
 

If you press and hold the button for at least 3 seconds, the Home Connect menu opens.

If you briefly press the button, the appliance is enabled for remote start via the Home Connect app.

If you open the appliance door, the function is automatically deactivated.

- ✓ **Remote start**  lights up.

**Note:** To deactivate the function, press **Remote start**  .

## 16.7 Intelligent programme recommendation

After you have washed your laundry in the washing machine, the dryer will recommend a suitable programme for drying your laundry.

To determine the best drying programme to use, your appliances must transmit and receive information. Observe the following:


- The washing machine must be an appliance with the Home Connect function.
- The washing machine and dryer must be connected to your home network and registered in your Home Connect app.

### Using the intelligent programme recommendation

1. Set the **intelligentDry**  programme.

The appliance detects a suitable programme.

If the appliance finds a suitable programme, the display for the programme lights up and the programme information is displayed.

If the appliance does not find a suitable programme, a signal tone sounds and the display shows .

**Note:** To cancel or change the programme recommendation, set a different programme or switch the appliance off.

2. Press **Start/Reload** .

#### Note

Why is my dryer unable to recommend a programme?

- No suitable drying programmes for the selected washing programme on the dryer.

- No data is available for the last washing programme used. The data is stored for 24 hours and then deleted.
- The washing programme has been cancelled. The washing programme must run through to the end for analysis to be possible.

## 16.8 Remote diagnostics

Customer Service can use Remote Diagnostics to access your appliance if you contact them, have your appliance connected to the Home Connect server and if Remote Diagnostics is available in the country in which you are using the appliance.

**Tip:** For further information and details about the availability of Remote Diagnostics in your country, please visit the service/support section of your local website: [www.home-connect.com](http://www.home-connect.com)

## 16.9 Data protection

Please see the information on data protection.

The first time your appliance is registered on a home network connected to the Internet, your appliance will transmit the following types of data to the Home Connect server (initial registration):

- Unique appliance identification (consisting of appliance codes as well as the MAC address of the Wi-Fi communication module installed).
- Security certificate of the Wi-Fi communication module (to ensure a secure data connection).
- The current software and hardware version of your appliance.
- Status of any previous reset to factory settings.

This initial registration prepares the Home Connect functions for use and is only required when you want to use the Home Connect functions for the first time.

**Note:** Please note that the Home Connect functions can only be utilised with the Home Connect app. Information on data protection can be retrieved in the Home Connect app.

## 17 Basic settings

You can configure the basic settings for your appliance to meet your needs.

### 17.1 Overview of basic settings

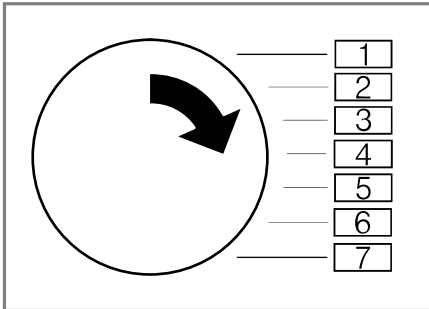



Basic setting	Programme position	Value	Description
End signal	2	0 (off) 1 (quiet) 2 (medium) 3 (loud) 4 (very loud)	Set the volume of the signal at the end of the programme.
Button signal	3	0 (off) 1 (quiet) 2 (medium) 3 (loud) 4 (very loud)	The volume of the audible signal emitted when the buttons are pressed.



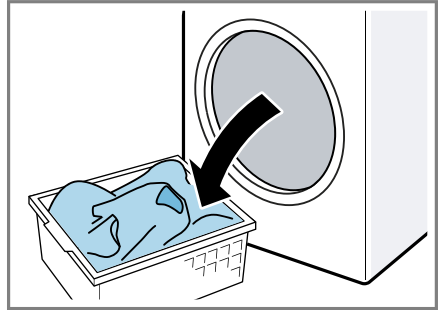
## 17.2 Changing the basic settings

1. Set the programme selector to position 1.

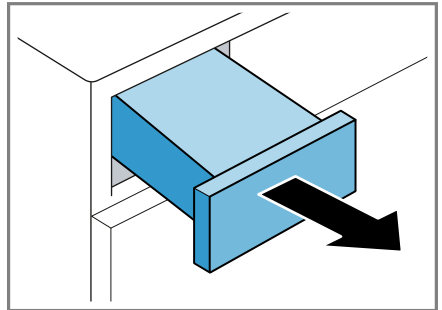


2. Press **Drying aim**  and, at the same time, turn the programme selector to position 2.
  - ✓ The display shows the current value.
3. Set the programme selector to the required position.
4. To change the value, press **- +**.
5. To save the changes, switch off the appliance.

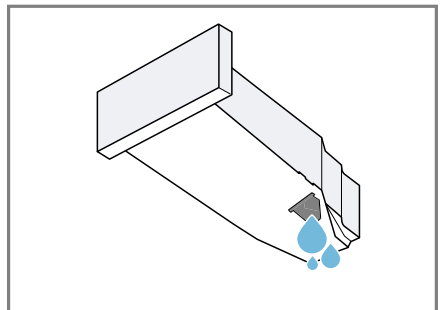
1. Remove the laundry.



2. Close the appliance door.
3. Pull out the condensation container, keeping it level.



4. Empty the condensation container  
→ Page 31.




---

## 18 Appliance care

### 18.1 Preparing the appliance for the appliance care programme

The appliance must be prepared before basic or intensive appliance care is carried out.

**Requirement:** The base unit is cleaned.

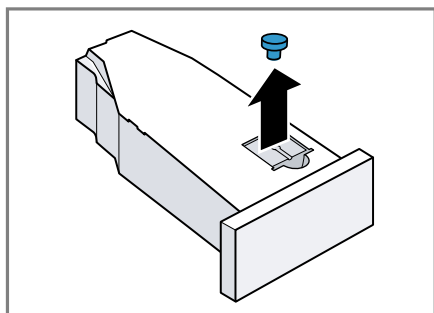
→ "Cleaning the base unit",  
Page 48.

## 18.2 Preparing the condensation container for the appliance care programme

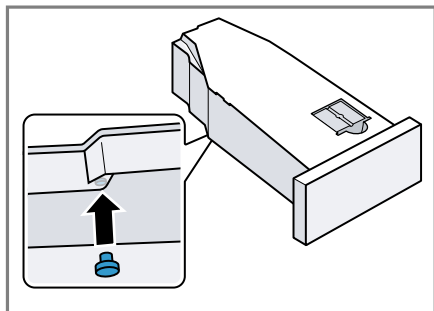
**Note:** If the condensation is drained using the drain hose, the condensation container must be prepared before the basic or intensive appliance care programme.

→ "Water drain hose", Page 14

1. Remove the stopper from the recess in the condensation container.



2. Insert the plug from below.



- ✓ The condensation container is ready for the appliance care programme.

**Note:** If the condensation is drained using the drain hose, perform the above-mentioned steps after the basic or intensive appliance care programme in the reverse order.

## 18.3 Starting the appliance care programme

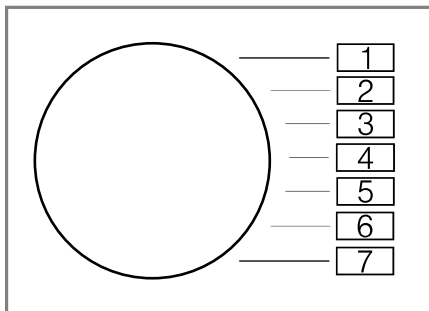
### Requirements



- The appliance is ready to run the appliance care programme.  
→ "Preparing the appliance for the appliance care programme", Page 41.
- The condensation container is ready for the appliance care programme.  
→ "Preparing the condensation container for the appliance care programme", Page 42.

1. Press .

The switch-on process takes a few seconds.

2. Set the programme to position 1.



3. Press and hold **Drying aim** .
  4. Set the programme to position 4.
  5. Release **Drying aim** .
- ✓ "CP1" and the programme duration alternate on the display.

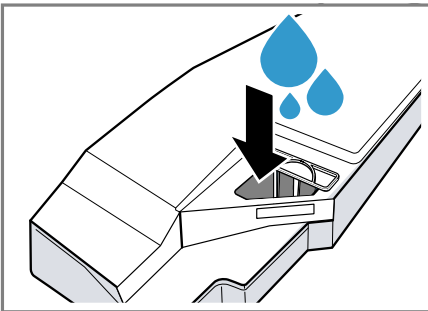
## 18.4 Running the basic appliance care programme on the appliance

To remove any light soiling, you can run a basic appliance care programme.

**Note:** After a certain period of use, the appliance automatically recommends that you run the basic appliance care programme. Before the start and end of the programme, the display shows the note "CrE" for 5 seconds. The note is shown repeatedly until the basic appliance care programme has been run completely.

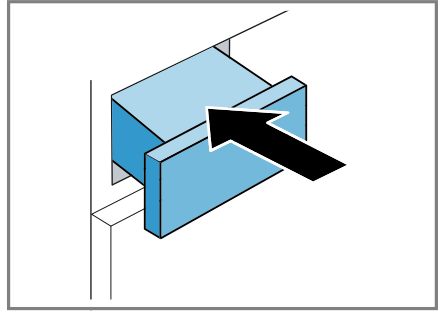
### Requirements


- The appliance is ready to run the appliance care programme.  
→ *"Preparing the appliance for the appliance care programme"*, Page 41.
  - The appliance care programme has started.  
→ *"Starting the appliance care programme"*, Page 42
1. Add approx. 1 ½ litres of hot tap water into the condensation container.

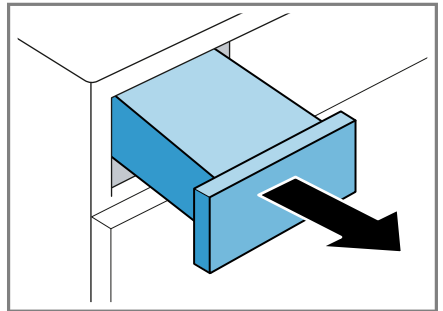


Hold the full condensation container level so that no liquid spills out.

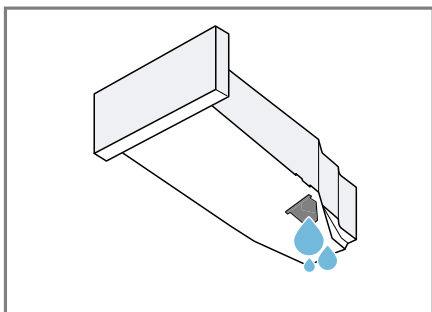
2. Insert the condensation container so that it locks into place.



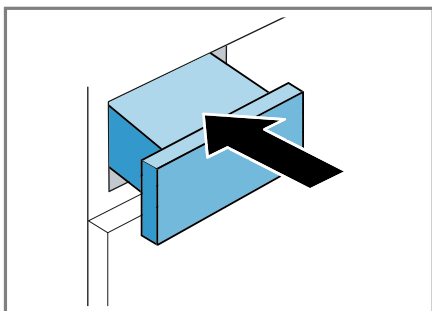
3. Press **Start/Reload**  .
  - ✓ The appliance care programme starts and an audible signal sounds.
  - ✓ "-0-" appears on the display once the appliance care programme has ended and an audible signal sounds.
4. Pull out the condensation container, keeping it level.



5. Empty the condensation container  
→ Page 31.



6. Insert the condensation container  
so that it locks into place.



- ✓ The appliance care programme  
has been completed.

**Note:** If the condensate water has  
been drained from the machine via  
the drain hose, please follow the  
steps in  
→ "Preparing the condensation con-  
tainer for the appliance care pro-  
gramme", Page 42 in reverse order,  
after both the intensive and regular  
cleaning processes.

## 18.5 Preparing the appliance for the intensive appli- ance care programme

If the appliance is not used for more  
than one month, stubborn dirt or  
odours may occur. To remove this,  
you can run an intensive appliance  
care programme.

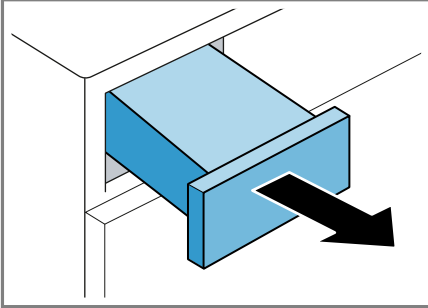
**Note:** The intensive appliance care  
programme runs for approximately 4  
hours. The programme may take  
longer if you do not carry out the ne-  
cessary steps in good time while the  
programme is running.  
Once it has started, the intensive ap-  
pliance care programme should not  
be cancelled.

### Requirements

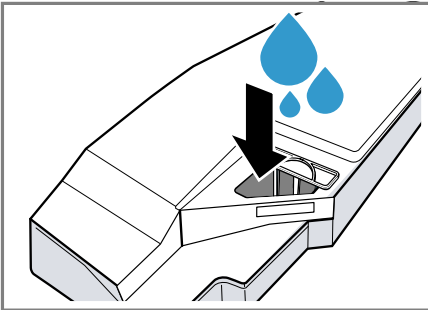
- The appliance is ready to run the  
appliance care programme.  
→ "Preparing the appliance for the  
appliance care programme",  
Page 41.
- The appliance care programme  
has started.  
→ "Starting the appliance care pro-  
gramme", Page 42
- ▶ Press **+**.
- ✓ "CP2" and the programme dura-  
tion alternate on the display.

## 18.6 Running the intensive appliance care programme

1. Pull out the condensation container horizontally and empty it.

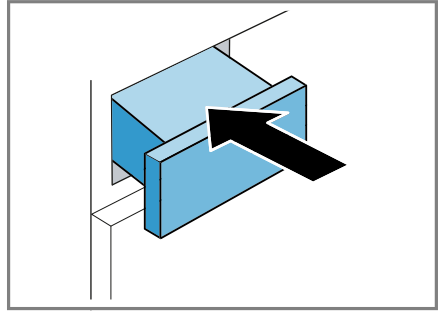


2. Pour a bottle of the original appliance care product → "Accessories", Page 27 and approx. 1 ½ litres of warm tap water into the condensation container.



Hold the full condensation container level so that no liquid spills out.

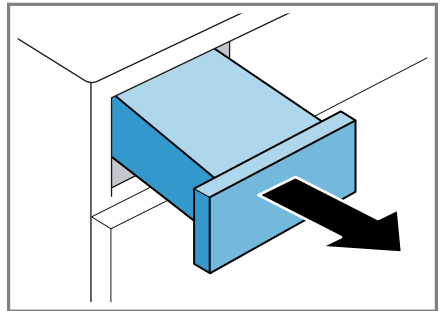
3. Insert the condensation container so that it locks into place.



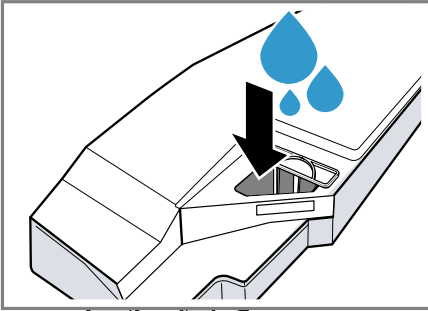
4. Press **Start/Reload** . The appliance care programme starts and an audible signal sounds.

After around 3 hours, the appliance pauses the appliance care programme and the remaining programme duration flashes on the display.

5. Pull out the condensation container horizontally and empty it.

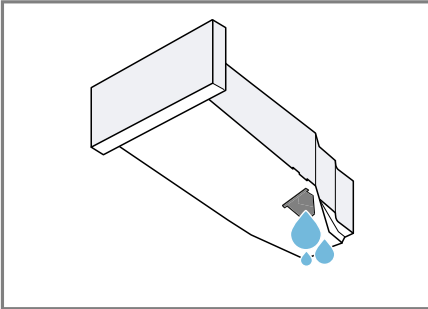


6. Add approx. 1 ½ litres of hot tap water into the condensation container.



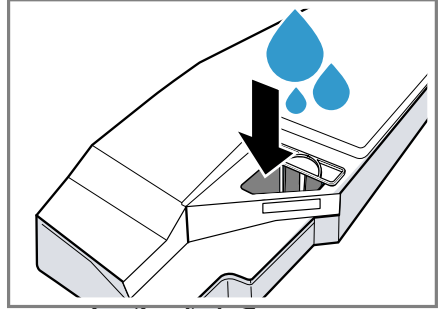
Hold the full condensation container level so that no liquid spills out.

7. Carefully tip and empty the condensation container horizontally in order to remove any remaining original care product.



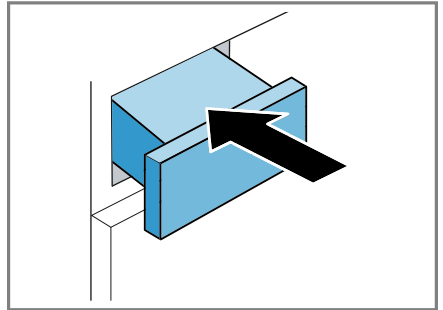
## 18.7 Ending the intensive appliance care programme


1. Add approx. 1 ½ litres of hot tap water into the condensation container.



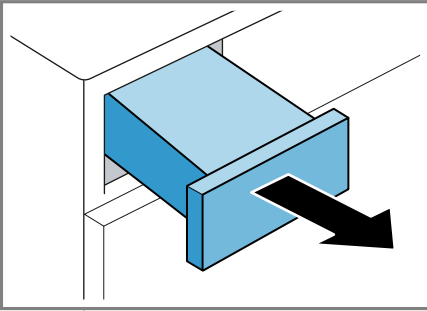
Hold the full condensation container level so that no liquid spills out.

2. Insert the condensation container so that it locks into place.

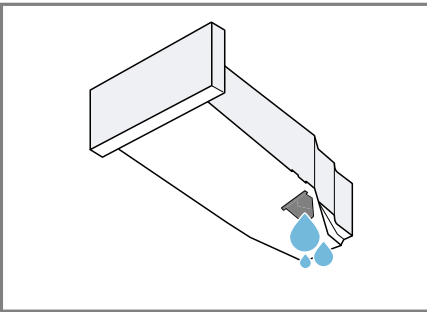


3. Press **Start/Reload**  .
  - ✓ The appliance care programme is resumed. "-0-" appears on the display and a signal tone sounds once the appliance care programme has ended.

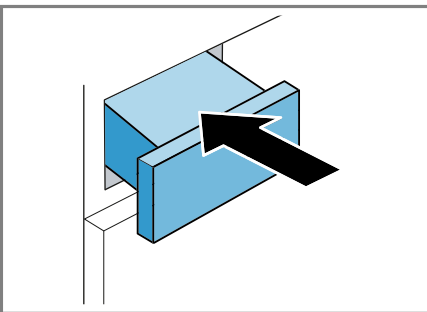
4. Pull out the condensation container, keeping it level.



5. Empty the condensation container  
→ Page 31.



6. Insert the condensation container so that it locks into place.



7. Switch off the appliance.  
→ "Switching off the appliance",  
Page 29
- ✓ The appliance care programme  
has been completed.

**Note:** If the condensate water has been drained from the machine via the drain hose, please follow the steps in  
→ "Preparing the condensation container for the appliance care programme", Page 42 in reverse order, after both the intensive and regular cleaning processes.

## 19 Cleaning and servicing

To keep your appliance working efficiently for a long time, it is important to clean and maintain it carefully.

**Note:** You can find further information in the digital instruction manual by scanning the QR code in the table of contents or on [siemens-home.bsh-group.com](http://siemens-home.bsh-group.com).

### 19.1 Tips on cleaning and care

Wipe down the housing and the controls with nothing but water and a damp cloth.	This ensures the parts of the appliance will remain clean and hygienic.
Remove all detergent residue, spray residue or other residues immediately.	Fresh deposits are easier to remove without leaving any residue.
Leave the appliance door open after use.	This allows the residual water to dry, reducing odours in the appliance.

## 19.2 Base unit

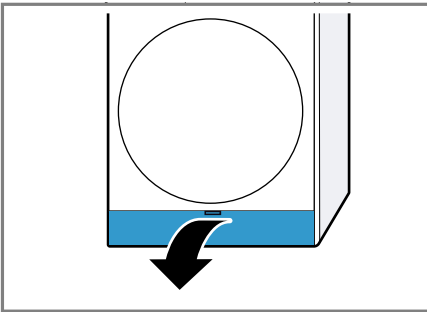
The base unit is the accessible area at the bottom of the appliance in which you will find the heat exchanger.

### Opening the base unit

#### Requirements

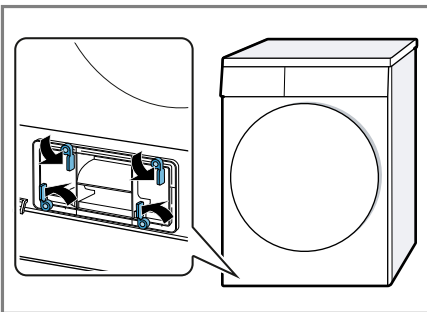
- The appliance has cooled down for 30 minutes.
- The appliance door is closed.

1. Open the maintenance flap.

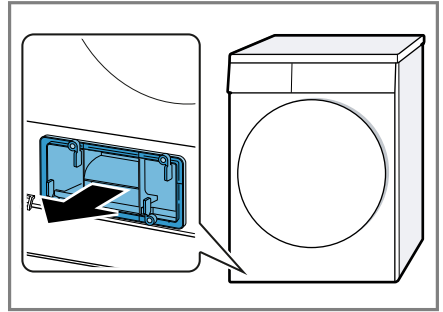


If you place a cloth beneath the maintenance flap, you can collect the remaining water from the base unit.

2. Open the lever for the heat exchanger cover.



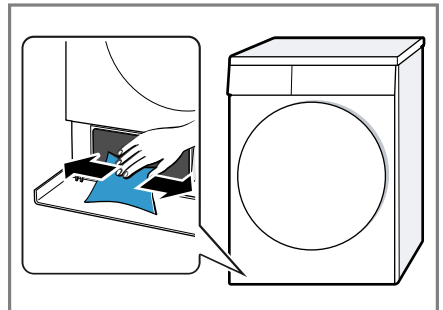
3. Pull out the heat exchanger cover by the handle.



### Cleaning the base unit

You can remove any visible dirt in the base unit.

1. Open the base unit → *Page 48*.
2. Clean the opening with a soft, damp cloth.



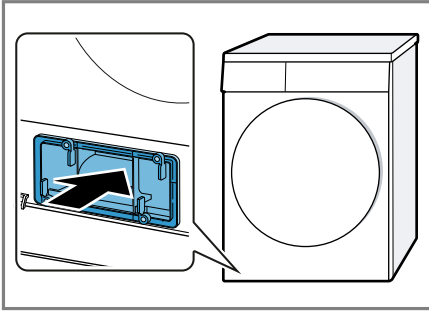
3. Close the base unit → *Page 48*.

### Closing the base unit

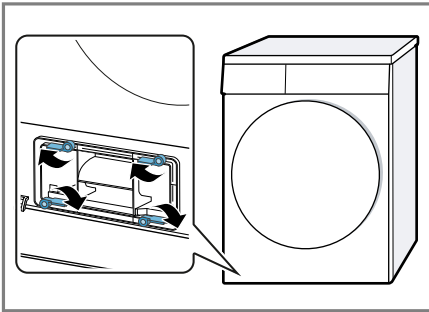
**Requirement:** The base unit is open.  
→ "*Opening the base unit*", *Page 48*



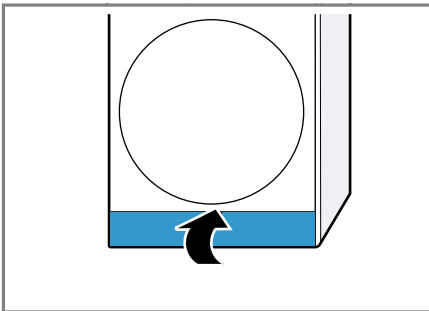
1. Insert the heat exchanger cover by the handle.



2. Close the lever for the heat exchanger.



3. Close the maintenance flap.



## 19.3 Water tank filter

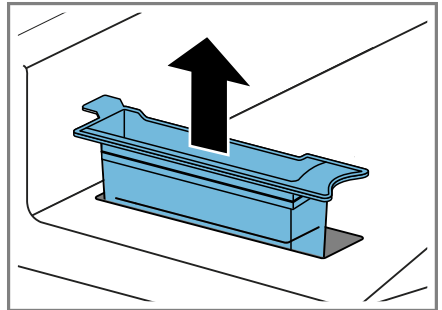
The filter in the water tank protects the appliance from dirt and contaminants.

### Cleaning the water tank filter

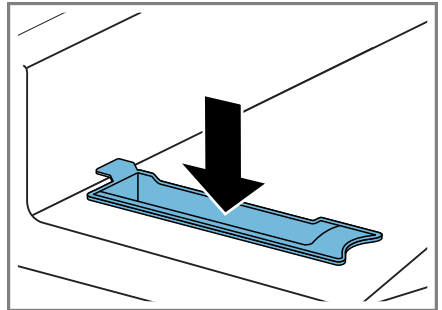
Check the filter regularly and clean the filter if it is dirty.

**Requirement:** The condensation container → *Page 31* is removed from the appliance.

1. Pull out the filter.



2. Clean the filter under warm, running water or in the dishwasher.
3. Fit the filter.



4. Insert the condensation container → *Page 32*.

## 19.4 Moisture sensor

The moisture sensor in this appliance measures how damp the laundry is during the drying cycle. The appli-

ance changes the duration of the automatic programme depending on the residual moisture in the laundry.

### Cleaning the moisture sensor

Over time, residue from limescale, detergents and care products can build up on the moisture sensor. Clean the moisture sensor regularly.

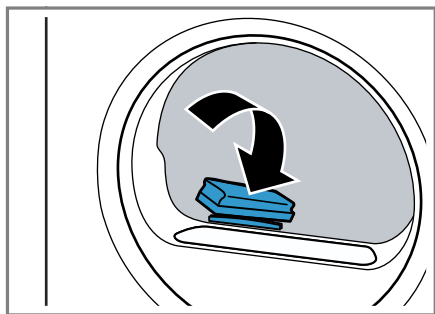
#### ATTENTION!

Hard or rough objects may damage the moisture sensor.

- ▶ Do not use hard or rough objects, abrasive cleaning products or steel wool for cleaning.

**Note:** If you do not clean the appliance as described, the appliance's functionality may be impaired.

1. Open the door.
2. Clean the moisture sensor with a sponge.



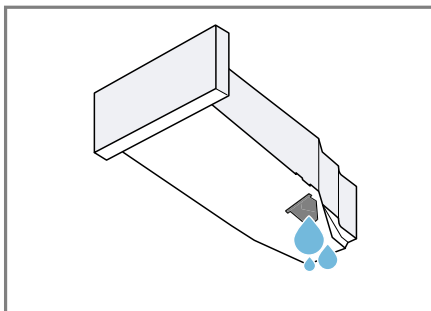
## 19.5 Condensation container filter

During drying, fluff from the laundry gets into the condensation. The filter in the condensation container protects the appliance from fluff.

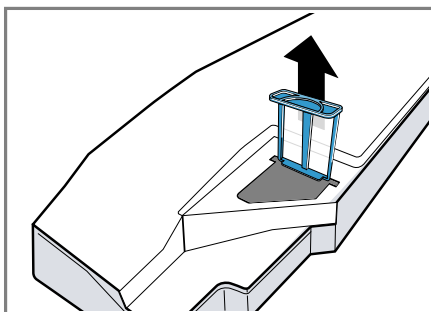
### Clean the filter for the condensation tank.

The filter is cleaned automatically when the condensation container is emptied. Check the filter regularly and clean the filter if it is dirty.

1. Empty the condensation container.  
→ "Emptying the condensation container", Page 31

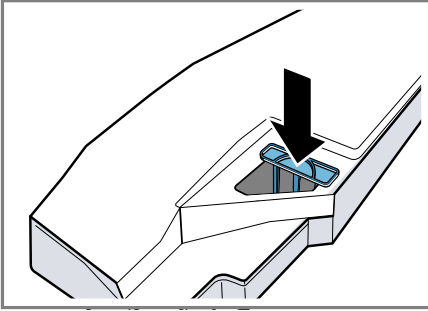


2. Remove the filter.



3. Clean the filter under warm, running water or in the dishwasher.

4. Slide in the filter as far as it will go.



5. Insert the condensation container.  
→ *"Inserting the condensation container", Page 32*

## 20 Troubleshooting



You can rectify minor faults on your appliance yourself. Read the troubleshooting information before contacting after-sales service. This will avoid unnecessary costs.

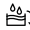
### **WARNING**




#### **Risk of electric shock!**

Incorrect repairs are dangerous.



- ▶ Repairs to the appliance should only be carried out by trained specialist staff.
- ▶ Only use genuine spare parts when repairing the appliance.
- ▶ If the power cord of this appliance is damaged, it must be replaced by the manufacturer, the manufacturer's Customer Service or a similarly qualified person in order to prevent any risk.

<b>Fault</b>	<b>Cause and troubleshooting</b>
"Hot" and the drum rotates.	<p>Cooling process active.</p> <ol style="list-style-type: none"> <li>1. Not a fault.</li> <li>2. Do not change the programme during the cooling process.</li> </ol> <p><b>Note:</b> The cooling process takes up to 10 minutes. You can continue to operate the appliance.</p>
Humming noise.	<p>Compressor active.</p> <ul style="list-style-type: none"> <li>▶ Not a fault – normal operating noise.</li> </ul>
The display goes out and <b>Start/Reload</b>  flashes.	<p>Energy-saving mode is active</p> <ul style="list-style-type: none"> <li>▶ Press any button.</li> <li>✓ The symbol lights up again.</li> </ul>
"CrE"	<p>After a period of operation, the appliance automatically recommends that you run the basic appliance care programme.</p> <ul style="list-style-type: none"> <li>▶ Running the basic appliance care programme on the appliance. → <i>"Running the basic appliance care programme on the appliance", Page 43.</i></li> </ul>
The crease-removal function takes too long.	<p>A low ambient temperature extends the duration of the crease-removal function.</p> <ul style="list-style-type: none"> <li>▶ Not a fault – no action required.</li> </ul>
	<p>The base unit's filter is soiled.</p> <ul style="list-style-type: none"> <li>▶ → <i>"Cleaning the filter system on the base unit", Page 29</i></li> </ul>
The appliance is not working.	<p>The mains plug of the power cord is not plugged in.</p> <ul style="list-style-type: none"> <li>▶ Connect the appliance to the power supply.</li> </ul>


<b>Fault</b>	<b>Cause and troubleshooting</b>
The appliance is not working.	The circuit breaker in the fuse box has tripped. ▶ Check the circuit breaker in the fuse box.
	There has been a power cut. ▶ Check whether the lighting in your kitchen or other appliances are working.
Appliance paused, but the drum is rotating.	Cooling process active. ▶ Not a fault – no action required.
Home Connect is not working properly.	Different causes are possible. ▶ Go to <a href="http://www.home-connect.com">www.home-connect.com</a> .
No connection to the home network.	Wi-Fi is switched off. ▶ Activating Wi-Fi on the appliance. → <i>"Activating Wi-Fi on the appliance", Page 37.</i>
	Wi-Fi is activated but a connection to your home network cannot be established. <b>1.</b> Ensure that the home network is available. <b>2.</b> Reconnect the appliance to the home network. → <i>"Setting up Home Connect", Page 36</i>
Creasing.	The load is too large. ▶ Observe the maximum load capacity of the → <i>"Programmes", Page 24.</i>
	The laundry lies in the drum for too long after drying. <b>1.</b> Remove the laundry from the drum as soon as the drying programme has finished. <b>2.</b> Spread the items of laundry for cooling.
	Unsuitable programme for the type of fabric. ▶ Set the suitable programme for the type of fabric. → <i>"Programmes", Page 24</i>
	Easy-Care fabrics are dried for too long. ▶ → <i>"Changing the dryness level", Page 23.</i> ▶ → <i>"Adjusting the dryness level", Page 23.</i>
	Anti-Crease not activated. ▶ Activate the Anti-Crease function. → <i>"Buttons", Page 22</i> → <i>"Buttons", Page 21</i>
 and programme terminated.	Condensation tank filled. <b>1.</b> → <i>"Emptying the condensation container", Page 31.</i> <b>2.</b> → <i>"Inserting the condensation container", Page 32.</i> <b>3.</b> → <i>"Starting the programme", Page 29.</i>
	Water drain hose is caught or jammed.

Fault	Cause and troubleshooting
<p> and programme terminated.</p>	<p>1. Ensure that the water drain hose is not kinked or trapped.</p> <p>2. Route the water drain hose without kinks.</p> <hr/> <p>Water drain hose is not connected correctly.</p> <ul style="list-style-type: none"> <li>▶ Ensure that the water drain hose is connected correctly.</li> </ul> <p>→ <i>"Connecting the water drain hose", Page 14</i></p> <hr/> <p>Water drain hose is blocked.</p> <ul style="list-style-type: none"> <li>▶ Rinse the water drain hose with tap water.</li> </ul> <hr/> <p>The filter for the condensation tank is soiled.</p> <ul style="list-style-type: none"> <li>▶ → <i>"Clean the filter for the condensation tank.", Page 50.</i></li> </ul> <hr/> <p>Foreign object is located in the base unit</p> <ol style="list-style-type: none"> <li>1. → <i>"Opening the base unit", Page 48.</i></li> <li>2. Remove the foreign objects that are present.</li> <li>3. → <i>"Closing the base unit", Page 48.</i></li> </ol> <hr/> <p>Dirt in the appliance.</p> <ul style="list-style-type: none"> <li>▶ Preparing the appliance for the intensive appliance care programme.</li> </ul> <p>→ <i>"Preparing the appliance for the intensive appliance care programme", Page 44.</i></p>
<p>Condensation in the condensation tank even though the water drain hose is connected.</p>	<p>The appliance uses condensation for the automatic self-cleaning.</p> <ul style="list-style-type: none"> <li>▶ Not a fault – no action required.</li> </ul> <hr/> <p>Water drain hose is not connected correctly.</p> <ul style="list-style-type: none"> <li>▶ Ensure that the water drain hose is connected correctly.</li> </ul> <p>→ <i>"Connecting the water drain hose", Page 14</i></p>
<p>The programme does not start.</p>	<p>Childproof lock is activated.</p> <ul style="list-style-type: none"> <li>▶ → <i>"Deactivating the childproof lock", Page 32</i></li> </ul> <hr/> <p>You have not pressed <b>Start/Reload</b>  .</p> <ul style="list-style-type: none"> <li>▶ Press <b>Start/Reload</b>  .</li> </ul> <hr/> <p>No programme set.</p> <ol style="list-style-type: none"> <li>1. → <i>"Setting a programme", Page 28.</i></li> <li>2. → <i>"Starting the programme", Page 29.</i></li> </ol>
<p>The length of the programme changes during the drying cycle.</p>	<p>The programme operation is optimised electronically. This may change the programme duration.</p> <ul style="list-style-type: none"> <li>▶ Not a fault – no action required.</li> </ul>

<b>Fault</b>	<b>Cause and troubleshooting</b>
Pumping noise.	Condensation pump active. ▶ Not a fault – normal operating noise.
Buzzing noise.	Compressor ventilation active. ▶ Not a fault – normal operating noise.
The drying time is too long.	The base unit's filter is soiled. ▶ → <i>"Cleaning the filter system on the base unit", Page 29</i>
	The ambient temperature is greater than 30 °C. ▶ Ensure that the ambient temperature is lower than 30 °C.
	The ambient temperature is lower than 15 °C. ▶ Ensure that the ambient temperature is above 15 °C.
	Insufficient air circulation at the appliance's installation location. ▶ Ventilate the appliance's installation location.
	Insufficient condensation for the automatic self-cleaning when permanently drying small loads of laundry. ▶ Regularly dry a load weighing more than 3 kg of damp laundry until the programme ends.
	Insufficient condensation for the automatic self-cleaning when permanently using the crease-removal function. ▶ Regularly dry a load weighing more than 3 kg of damp laundry until the programme ends.
	The appliance's ventilation opening is blocked. ▶ Ensure that the ventilation opening of the appliance is kept clear.
	Heat exchanger is soiled. ▶ Running the basic appliance care programme on the appliance. → <i>"Running the basic appliance care programme on the appliance", Page 43.</i>
	The base unit filter is damp. 1. → <i>"Cleaning the filter system on the base unit", Page 29.</i> 2. Dry the filter thoroughly after cleaning. 3. → <i>"Closing the base unit", Page 48.</i> 4. → <i>"Switching off the appliance", Page 29.</i> 5. → <i>"Switching on the appliance", Page 28.</i>

Fault	Cause and troubleshooting
The drying time is too long.	<p><b>6.</b> → <i>"Starting the programme", Page 29.</i></p> <hr/> <p>"Ready in" time is activated and the ambient temperature is lower than 16 °C.</p> <ul style="list-style-type: none"> <li>▶ Ensure that the ambient temperature is above 16 °C or start the next drying process within 2 hours. → <i>" Technical data", Page 62</i></li> </ul> <hr/> <p>Remote start is activated and the ambient temperature is lower than 16 °C.</p> <ul style="list-style-type: none"> <li>▶ Ensure that the ambient temperature is above 16 °C or start the next drying process within 2 hours. → <i>" Technical data", Page 62</i></li> </ul>
 "Air" and the appliance is not responding to operation.	<p>The ambient temperature is low and the base unit filter is damp.</p> <ol style="list-style-type: none"> <li><b>1.</b> → <i>"Cleaning the filter system on the base unit", Page 29.</i></li> <li><b>2.</b> Dry the filter thoroughly after cleaning.</li> <li><b>3.</b> → <i>"Closing the base unit", Page 48.</i></li> <li><b>4.</b> → <i>"Switching off the appliance", Page 29.</i></li> <li><b>5.</b> → <i>"Switching on the appliance", Page 28.</i></li> <li><b>6.</b> → <i>"Starting the programme", Page 29.</i></li> </ol>
	<p>Automatic self-cleaning function rinses the appliance's heat exchanger.</p> <ol style="list-style-type: none"> <li><b>1.</b> Not a fault.</li> <li><b>2.</b> Do not pull out the condensation tank.</li> <li><b>3.</b> Do not cancel the programme.</li> </ol>
Water is leaking from the appliance.	<p>Appliance is not correctly aligned.</p> <ul style="list-style-type: none"> <li>▶ → <i>"Aligning the appliance", Page 16</i></li> </ul> <hr/> <p>The seal for the heat exchanger cover is dirty.</p> <ul style="list-style-type: none"> <li>▶ Clean the seal for the heat exchanger cover. → <i>"Cleaning the filter system on the base unit", Page 29</i></li> </ul> <hr/> <p>Water drain hose is not connected correctly.</p> <ul style="list-style-type: none"> <li>▶ Ensure that the water drain hose is connected correctly. → <i>"Connecting the water drain hose", Page 14</i></li> </ul> <hr/> <p>The lever for the heat exchanger cover is not closed correctly.</p> <ul style="list-style-type: none"> <li>▶ Ensure that the lever for the heat exchanger cover is closed correctly. → <i>"Closing the base unit", Page 48</i></li> </ul>



Fault	Cause and troubleshooting
	<p>The water tank for the crease-removal function is empty.</p> <ul style="list-style-type: none"> <li>▶ Fill water tank.                             <ul style="list-style-type: none"> <li>→ <i>"Filling the water tank", Page 33.</i></li> </ul> </li> </ul>
<p>Water overflows when filling the water tank.</p>	<p>The water tank has been filled.</p> <p><b>Note:</b> The overflowing water is harmless.</p> <ul style="list-style-type: none"> <li>▶ Do not pour any more water into the water tank.</li> </ul> <hr/> <p>The water tank filter is soiled.</p> <ul style="list-style-type: none"> <li>▶ → <i>"Cleaning the water tank filter", Page 49.</i></li> </ul>
<p>The laundry is too damp.</p>	<p>Unsuitable programme for the type of fabric.</p> <ul style="list-style-type: none"> <li>▶ Set a timed programme for the subsequent drying.                             <ul style="list-style-type: none"> <li>→ <i>"Programmes", Page 24</i></li> </ul> </li> </ul> <hr/> <p>There has been a power cut.</p> <ul style="list-style-type: none"> <li>▶ Check whether the lighting in your kitchen or other appliances are working.</li> </ul> <hr/> <p>The load is too large.</p> <ul style="list-style-type: none"> <li>▶ Observe the maximum load capacity of the                             <ul style="list-style-type: none"> <li>→ <i>"Programmes", Page 24.</i></li> </ul> </li> </ul> <hr/> <p>After the end of the programme, warm laundry feels damper than it actually is.</p> <ol style="list-style-type: none"> <li>1. Remove the laundry from the drum as soon as the drying programme has finished.</li> <li>2. Spread the items of laundry for cooling.</li> </ol> <hr/> <p>Unsuitable dryness level set.</p> <ul style="list-style-type: none"> <li>▶ → <i>"Changing the dryness level", Page 23.</i></li> </ul> <hr/> <p>Drying target not adjusted.</p> <ul style="list-style-type: none"> <li>▶ → <i>"Adjusting the dryness level", Page 23.</i></li> </ul> <hr/> <p>Load too small.</p> <ul style="list-style-type: none"> <li>▶ Set a timed programme for the subsequent drying.                             <ul style="list-style-type: none"> <li>→ <i>"Programmes", Page 24</i></li> </ul> </li> </ul> <hr/> <p>Moisture sensor dirty.</p> <ul style="list-style-type: none"> <li>▶ → <i>"Cleaning the moisture sensor", Page 50.</i></li> </ul> <hr/> <p>The drying process is interrupted and the condensation tank has been filled.</p> <ol style="list-style-type: none"> <li>1. → <i>"Emptying the condensation container", Page 31.</i></li> <li>2. → <i>"Inserting the condensation container", Page 32.</i></li> <li>3. → <i>"Starting the programme", Page 29.</i></li> </ol>

---

<b>Fault</b>	<b>Cause and troubleshooting</b>
Odours have formed in the appliance.	Stubborn dirt in the appliance or an extended appliance downtime of more than one month. <ul style="list-style-type: none"><li data-bbox="376 217 1028 327">▶ Preparing the appliance for the intensive appliance care programme. → <i>"Preparing the appliance for the intensive appliance care programme", Page 44.</i></li></ul>

---

## 21 Transportation, storage and disposal

### 21.1 Preparing the appliance for transportation

#### ATTENTION!

If the appliance is operated immediately after transportation, the refrigerant contained in the appliance may result in damage to the appliance.

- ▶ Immediately after transporting the appliance, leave it to rest for two hours before putting it into operation.

**Tip:** The appliance may contain residual water, which may drip out of it when transported. The appliance should be transported upright.

#### Requirements

- The condensation container is emptied. Emptying the condensation container → *Page 31*
  - The appliance has been switched on.  
→ *"Switching on the appliance", Page 28*
1. Set any programme → *Page 28*.
  2. Start the programme → *Page 29* and wait 5 minutes.
    - ✓ The condensation is drained.
  3. Switch off the appliance.  
→ *"Switching off the appliance", Page 29*
  4. Remove the water drain hose from the connection point.  
→ *"Water outlet connection types", Page 15*
  5. Secure the water drain hose on the appliance against unintentional loosening.  
Ensure that you do not bend the water drain hose.

6. Empty the condensation container  
→ *Page 31*.
7. Insert the condensation container  
→ *Page 32*.
8. Disconnect the appliance's mains plug from the power supply.
  - ✓ The appliance is now ready to be transported.

### 21.2 Disposing of old appliance

Valuable raw materials can be re-used by recycling.

#### **WARNING** **Risk of harm to health!**

Children can lock themselves in the appliance, thereby putting their lives at risk.

- ▶ Do not install the appliance behind a door as this may obstruct the appliance door or prevent it from opening.
- ▶ With redundant appliances, unplug the power cord. Then cut through the cord and damage the lock on the appliance door beyond repair so that the appliance door will no longer close.

#### **WARNING** **Risk of fire!**

The refrigerant R290 used in this appliance is environmentally friendly. It is however flammable and may ignite if appliances are not disposed of properly.

- ▶ Dispose of the appliance properly.
  - ▶ Do not damage the tubing of the refrigerant circuit.
1. Unplug the appliance from the mains.
  2. Cut through the power cord.
  3. Dispose of the appliance in an environmentally friendly manner.

Information about current disposal methods are available from your specialist dealer or local authority.



This appliance is labelled in accordance with European Directive 2012/19/EU concerning used electrical and electronic appliances (waste electrical and electronic equipment - WEEE). The guideline determines the framework for the return and recycling of used appliances as applicable throughout the EU.

- On the rear of the appliance.

Make a note of your appliance's details and the Customer Service telephone number to find them again quickly.

---

## 22 Customer Service

Detailed information on the warranty period and terms of warranty in your country is available from our after-sales service, your retailer or on our website.

If you contact Customer Service, you will require the product number (E-Nr.) and the production number (FD) of your appliance.

The contact details for Customer Service can be found in the enclosed Customer Service directory or on our website.

### 22.1 Product number (E-Nr.) and production number (FD)

You can find the product number (E-Nr.) and the production number (FD) on the appliance's rating plate.

Depending on the model, the rating plate is located:

- On the inside of the door.
- On the inside of the maintenance flap.

## 23 Consumption values

The programme

**Cottons**  + 






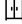
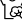
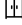

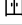

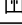
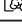
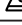
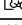
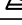
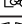
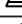
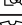

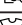
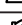






(denoted by the arrow symbol) is suitable for drying cotton laundry with a normal dampness level, and is the most efficient programme for drying damp cotton laundry in terms of combined energy consumption.

The consumption values for this programme that are declared on the energy label refer to a moisture content of the laundry of 60%.

The values given for other programmes are indicative only and were determined in accordance with the applicable standard EN61121.

The actual values may deviate from the indicated values depending on the type of fabric, composition of laundry to be dried, residual moisture in the fabric, set degree of dryness, amount of laundry being loaded, environmental conditions and the activation of additional functions.

The expected programme duration/"Ready in" time that is shown on the appliance display when selecting the programme is based on the spin speed in the washing machine of 1000 rpm when the appliance is delivered.

Programme	Final moisture level (%)	Load (kg)	Spin speed (rpm)	Initial moisture level (%)	Programme duration (h:min)	Energy consumption (kWh/cycle)
Cottons  + 	0.0	9.0	1400	50	2:32	1.81
Cottons  + 	0.0	4.5	1400	50	1:39	1.09
Cottons  + 	0.0	9.0	1000	60	2:51	2.10
Cottons  + 	0.0	4.5	1000	60	1:49	1.24
Cottons  + 	0.0	9.0	800	70	3:10	2.39
Cottons  + 	0.0	4.5	800	70	1:59	1.39
Cottons  + 	12.0	9.0	1400	50	1:55	1.24
Cottons  + 	12.0	4.5	1400	50	1:14	0.73
Cottons  + 	12.0	9.0	1000	60	2:14	1.53
Cottons  + 	12.0	4.5	1000	60	1:24	0.88
Cottons  + 	12.0	9.0	800	70	2:33	1.82
Cottons  + 	12.0	4.5	800	70	1:34	1.03
Easy-care  + 	2.0	3.5	800	40	1:04	0.58
Easy-care  + 	2.0	3.5	600	50	1:13	0.69

## 24 Technical data

Appliance height	84.2 cm
Appliance width	59.8 cm
Appliance depth	61.3 cm
Appliance depth with door closed	65.1 cm
Appliance depth with door open	110.5 cm
Weight	54.6 kg
Maximum load	9.0 kg
Mains voltage	220-240 V, 50 Hz
⇒ Minimum installation protection	10A
Nominal power	800 W
Power consumption	<ul style="list-style-type: none"> <li>▪ Off mode: 0.10 W</li> <li>▪ Left-on mode: 0.10 W</li> </ul>
Ambient temperature	<ul style="list-style-type: none"> <li>▪ Minimum: 5 °C</li> <li>▪ Maximum: 35 °C</li> </ul>



BE	BG	CZ	DK	DE	EE	IE	EL	ES
FR	HR	IT	CY	LI	LV	LT	LU	HU
MT	NL	AT	PL	PT	RO	SI	SK	FI
SE	NO	CH	TR	IS	UK (NI)			

5 GHz WLAN (Wi-Fi): For indoor use only.

AL	BA	MD	ME	MK	RS	UK	UA
----	----	----	----	----	----	----	----

5 GHz WLAN (Wi-Fi): For indoor use only.

Length of the power cord	145 cm
--------------------------	--------

## 25 Declaration of Conformity

BSH Hausgeräte GmbH hereby declares that the appliance with Home Connect functionality conforms to the basic requirements and other relevant provisions of Directive 2014/53/EU.

A detailed RED Declaration of Conformity can be found online at [siemens-home.bsh-group.com](http://siemens-home.bsh-group.com) among the additional documents on the product page for your appliance.



2.4 GHz band (2400–2483.5 MHz):  
Max. 100 mW  
5 GHz band (5150–5350 MHz + 5470–5725 MHz): Max. 100 mW



**BSH Hausgeräte GmbH**  
Carl-Wery-Straße 34  
81739 München, GERMANY  
[siemens-home.bsh-group.com](http://siemens-home.bsh-group.com)

Manufactured by BSH Hausgeräte GmbH under the trademark licence of Siemens AG



**9001786583** (020926)

en