



Register your
new device on
MyBosch now and
get free benefits:
[bosch-home.com/
welcome](https://bosch-home.com/welcome)



Accessory drawer

BIE7101B1

[en] User manual and installation instructions

Further information and explanations are available online:



Table of contents

INFORMATION FOR USE

| | | |
|---|---|---|
| 1 | Safety | 2 |
| 2 | Preventing material damage | 2 |
| 3 | Environmental protection and saving energy | 3 |
| 4 | Basic operation | 3 |
| 5 | Cleaning and servicing | 3 |
| 6 | Customer Service | 3 |
| 7 | INSTALLATION INSTRUCTIONS | 4 |

1 Safety

Observe the following safety instructions.

1.1 General information

- Read this instruction manual carefully.
- Keep the instruction manual and the product information safe for future reference or for the next owner.
- Do not install the appliance if it has been damaged in transit.

1.2 Intended use

Only use this appliance:

- To store cookware.
- in private households and in enclosed spaces in a domestic environment.

1.3 Restriction on user group

This appliance may be used by children aged 8 or over and by people who have reduced physical, sensory or mental abilities or inadequate experience and/or knowledge, provided that they are supervised or have been instructed on how to use the appliance safely and have understood the resulting dangers.

Do not let children play with the appliance. Children must not perform cleaning or user maintenance unless they are at least 15 years old and are being supervised.

Keep children under the age of 8 years away from the appliance and power cable.

1.4 Safe use

WARNING – Risk of suffocation!

Children may put packaging material over their heads or wrap themselves up in it and suffocate.

- ▶ Keep packaging material away from children.
- ▶ Do not let children play with packaging material.

Children may breathe in or swallow small parts, causing them to suffocate.

- ▶ Keep small parts away from children.
- ▶ Do not let children play with small parts.

WARNING – Risk of harm to health!

The silicone mat is not food-safe.

- ▶ Do not store any food in the accessory drawer.
- ▶ Do not allow food to come into contact with the silicone mat.

2 Preventing material damage

ATTENTION!

Excessive weight may damage the appliance.

- ▶ The appliance has a maximum load capacity of 25 kg.

Moisture may damage the appliance.

- ▶ Do not use the appliance to store food and drinks. The humidity of the food may cause corrosion damage.

The silicone mat is not heat-resistant.

- ▶ Do not use the silicone mat in a warming drawer or in an oven.

3 Environmental protection and saving energy

3.1 Disposing of packaging

The packaging materials are environmentally compatible and can be recycled.

- ▶ Sort the individual components by type and dispose of them separately.

4 Basic operation

4.1 Opening the appliance

- ▶ Press on the appliance's front panel.
- ✓ The appliance opens and can be pulled out.

4.2 Closing the appliance

- ▶ Slide the appliance in until it engages.

5 Cleaning and servicing

To keep your appliance working efficiently for a long time, it is important to clean and maintain it carefully.

5.1 Cleaning products

You can obtain suitable cleaning products from after-sales service or the online shop.

ATTENTION!

Unsuitable cleaning products may damage the surfaces of the appliance.

- ▶ Do not use harsh or abrasive detergents.
- ▶ Do not use cleaning products with a high alcohol content.
- ▶ Do not use hard scouring pads or cleaning sponges.
- ▶ Only use glass cleaners, glass scrapers or stainless steel care products if recommended in the cleaning instructions for the relevant part.
- ▶ Wash sponge cloths thoroughly before use.

5.2 Cleaning the appliance

ATTENTION!

Heat may damage the silicone mat.

- ▶ Do not clean the silicone mat in the dishwasher.

1. Remove the silicone mat.
2. Clean the appliance and silicone mat with a damp cloth and neutral cleaning agents, such as washing-up liquid and water.
3. Dry with a soft cloth.
4. Place the silicone mat into the dried appliance.

5.3 Cleaning the stainless steel surfaces

1. Always remove limescale, grease, starch or albumin stains immediately.
Corrosion may form under such stains.
2. Clean with water and some washing-up liquid.
3. Dry with a soft cloth.

5.4 Cleaning the glass front

- ▶ Clean the glass front using a glass cleaning product and a soft cloth.
 - Do not use any abrasive sponges that may scratch or any glass scrapers.

6 Customer Service

Function-relevant genuine spare parts according to the corresponding Ecodesign Order can be obtained from Customer Service for a period of at least 10 years from the date on which your appliance was placed on the market within the European Economic Area.

Note: Under the terms of the manufacturer's warranty the use of Customer Service is free of charge.

Detailed information on the warranty period and terms of warranty in your country is available from our after-sales service, your retailer or on our website.

If you contact Customer Service, you will require the product number (E-Nr.) and the production number (FD) of your appliance.

The contact details for Customer Service can be found in the enclosed Customer Service directory or on our website.

6.1 Product number (E-Nr.) and production number (FD)

You can find the product number (E-Nr.) and the production number (FD) on the appliance's rating plate. Make a note of your appliance's details and the Customer Service telephone number to find them again quickly.

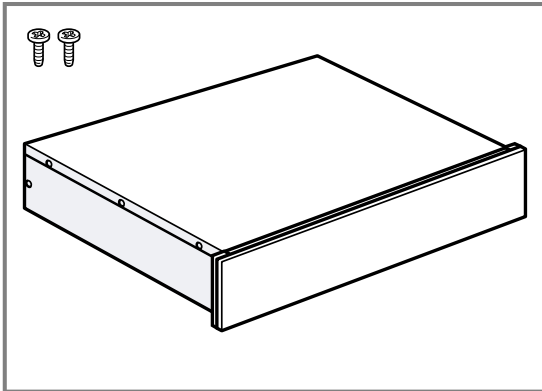
7 Installation instructions

Observe this information when installing the appliance.



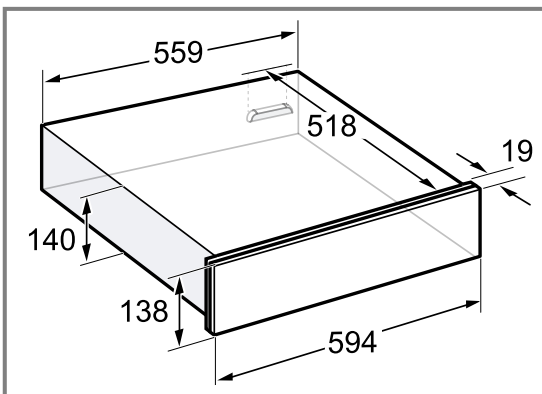
7.1 Scope of delivery

After unpacking all parts, check for any transport damage and for completeness of delivery.



7.2 Appliance dimensions

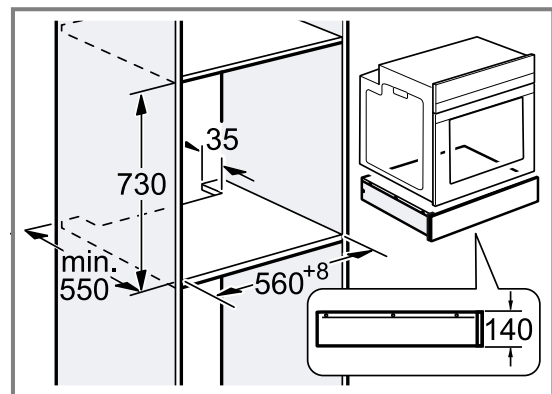
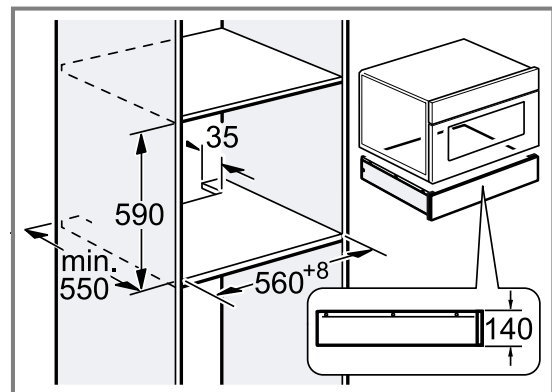
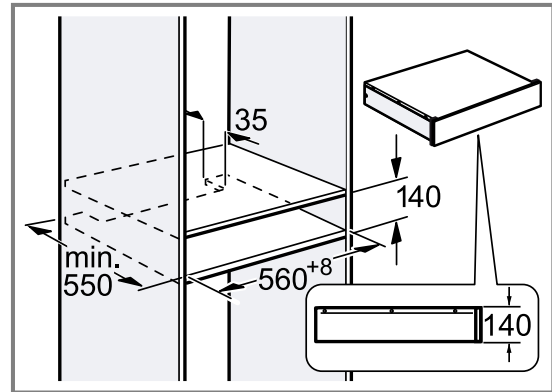
You will find the dimensions of the appliance here



7.3 Installation in the cabinet

You will find the dimensions of the appliance here

14 cm



7.4 Safe installation

Follow these safety instructions when installing the appliance.

⚠ WARNING – Risk of suffocation!

Children may put packaging material over their heads or wrap themselves up in it and suffocate.

- ▶ Keep packaging material away from children.
- ▶ Do not let children play with packaging material.

⚠ WARNING – Risk of injury!

Sharp-edged parts may be accessible during installation.

- ▶ Wear protective gloves.

7.5 Installation

Fitted units

This is where you can find information about safe installation.

ATTENTION!

When the door is opened, the appliance may tip over.

- ▶ Above the appliance, provide a fixed intermediate floor in the fitted unit.
- ▶ When combined with an oven, provide a fixed intermediate floor above the oven.

If no intermediate floor is possible above the appliance or above the oven, install tilt protection for the appliance → Page 5. Suitable tilt protection can be obtained from customer service, on our website or in the online shop.

Combining with other appliances

You can combine the accessory drawer with a maximum of one more appliance from the same appliance series.

No intermediate floor is required between the appliances.

When installing appliances under an oven, combi-steam oven or steam oven, no tilt protection is required.

When installing under the fully automatic coffee machine, install the tilt protection for the fully automatic coffee machine.

For the following combinations, install tilt protection on the accessory drawer:

- Accessory drawer separately, including when installing below an intermediate floor
- Accessory drawer under microwave
- Accessory drawer under hob
- Accessory drawer with accessory drawer, at least on the upper appliance
- Accessory drawer with warming drawer, at least on the upper appliance
- Accessory drawer with vacuum-sealing drawer, at least on the upper appliance

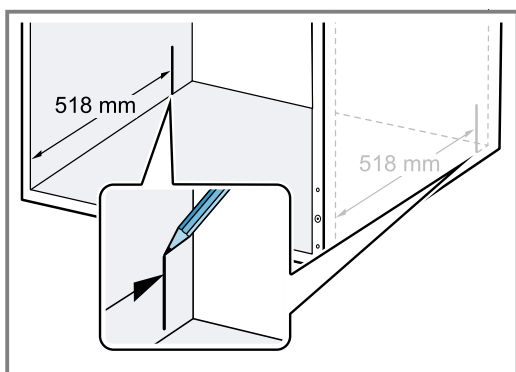
Suitable tilt protection can be obtained from customer service, on our website or in the online shop.

→ "Fitting tilt protection", Page 5

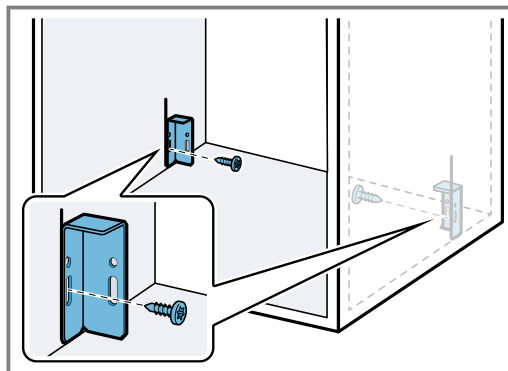
Fitting tilt protection

Suitable tilt protection (order number: 12039458) can be obtained from customer service, on our website or in the online shop.

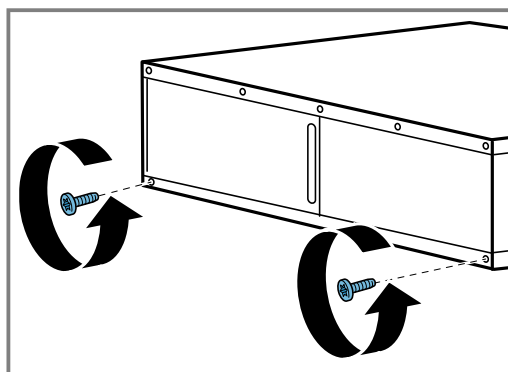
1. Measure a clearance of 518 mm from the front edge of the unit and mark it on both sides in the fitted unit.



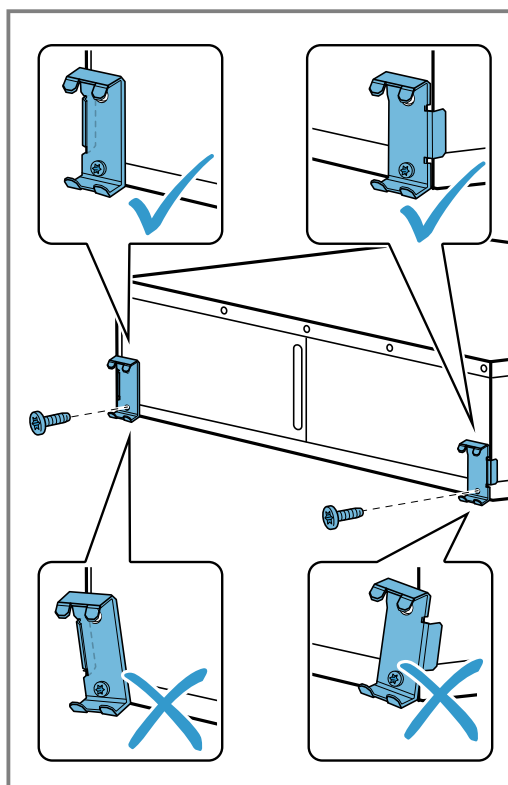
2. Screw the two brackets into the elongated hole behind the mark.



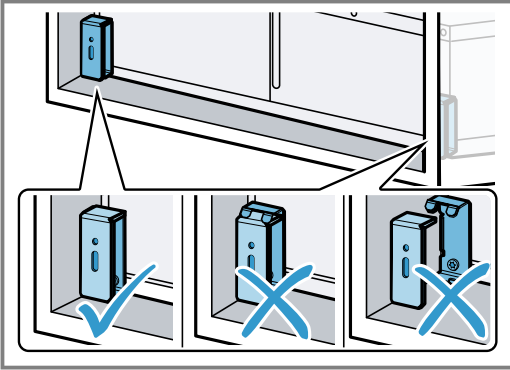
3. Place the appliance on a flat surface.
4. Unscrew the two lower screws on the rear of the appliance.



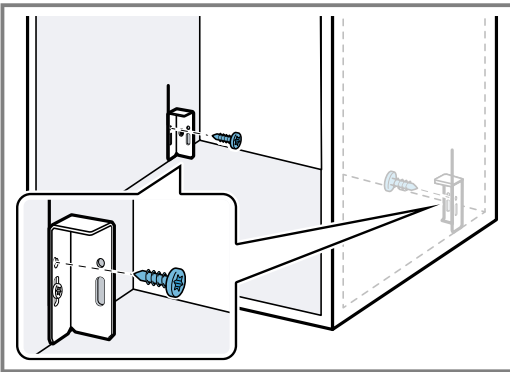
5. Use the two screws to tighten the two metal retainers on the rear of the appliance.
 - Ensure that the metal retainers are aligned exactly with the edge of the appliance.



- Slide the appliance into the fitted unit and check whether the tilt protection engages.



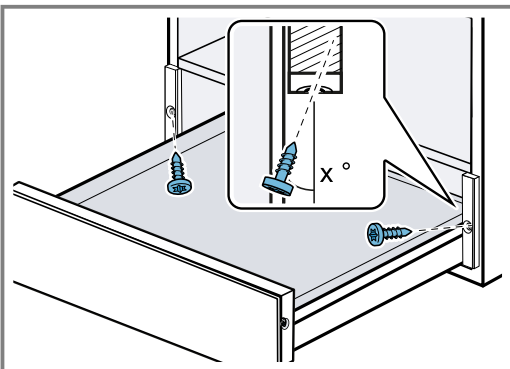
- If required, correct the position of the bracket with the elongated hole.
- Finally, screw the brackets to the fitted unit.



- Push the appliance into the fitted unit.
- Remove the adhesive strips from the front panel.
- Open the appliance carefully and check whether the tilt protection is working.

Installing the appliance

- Push the appliance all the way into the fitted unit.
- Centre the appliance.
- Remove the adhesive strip from the appliance front.
- Open the appliance.
- Screw the appliance to the fitted unit.

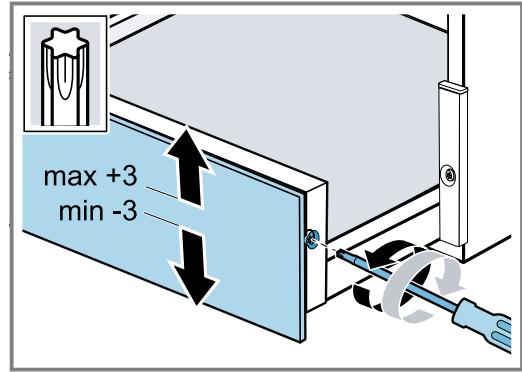


Adjusting the front panel

Adjust the front panel upwards or downwards if necessary.

- Open the appliance.

- Only loosen the screws on the side of the front panel – do not unscrew them completely.



- Align the front panel upwards or downwards. Alignments of maximum -3 to +3 mm are possible.
- Tighten the screws.

Combining the accessory drawer with another appliance

ATTENTION!

Sharp edges on the appliance may damage the front panel of the accessory drawer.

- Do not damage the front panel of the accessory drawer when sliding the appliance in.

- Only combine suitable appliances of the same brand and series.
- First fit the accessory drawer.
- Slide the appliance onto the accessory drawer into the built-in cabinet.
- Observe the installation instructions for the appliance.



Thank you for buying a Bosch Home Appliance!

Register your new device on MyBosch now and profit directly from:

- **Expert tips & tricks for your appliance**
- **Warranty extension options**
- **Discounts for accessories & spare-parts**
- **Digital manual and all appliance data at hand**
- **Easy access to Bosch Home Appliances Service**

Free and easy registration – also on mobile phones:

www.bosch-home.com/welcome



Looking for help? You'll find it here.

Expert advice for your Bosch home appliances, help with problems or a repair from Bosch experts.

Find out everything about the many ways Bosch can support you:

www.bosch-home.com/service

Contact data of all countries are listed in the attached service directory.

BSH Hausgeräte GmbH

Carl-Wery-Straße 34
81739 München, GERMANY
www.bosch-home.com

A Bosch Company



9001753233 (040307)

en

Valid within Great Britain:
Imported to Great Britain by
BSH Home Appliances Ltd.
Grand Union House
Old Wolverton Road
Wolverton, Milton Keynes
MK12 5PT
United Kingdom