

SIEMENS

LC.5KA.70.

Extractor hood



EN	User manual and installation instructions	2
FR	Manuel d'utilisation et notice d'installation	15



Table of contents

INFORMATION FOR USE

1	Safety	2
2	Avoiding material damage	4
3	Environmental protection and saving energy	4
4	Operating modes	5
5	Familiarising yourself with your appliance	6
6	Accessories	6
7	Basic operation	6
8	Cleaning and servicing	6
9	Troubleshooting	8
10	Disposal	9
11	Customer Service	9
12	INSTALLATION INSTRUCTIONS	10
12.4	Secure installation	10

1 Safety

Observe the following safety instructions.

1.1 General information

- Read this instruction manual carefully.
- Keep the instruction manual and the product information safe for future reference or for the next owner.
- Do not connect the appliance if it has been damaged in transit.

1.2 Intended use

This appliance is designed only to be built into kitchen units. Read the special installation instructions.

The appliance can only be used safely if it is correctly installed according to the safety instructions. The installer is responsible for ensuring that the appliance works perfectly at its installation location.

Only use this appliance:

- For extracting cooking vapour.
- in private households and in enclosed spaces in a domestic environment.
- up to an altitude of max. 2000 m above sea level.

Do not use the appliance:

- With an external timer.

1.3 Restriction on user group

This appliance may be used by children aged 8 or over and by people who have reduced physical, sensory or mental abilities or inadequate experience and/or knowledge, provided that they are supervised or have been instructed on how to use the appliance safely and have understood the resulting dangers.

Do not let children play with the appliance.

Children must not perform cleaning or user maintenance unless they are at least 15 years old and are being supervised.

Keep children under the age of 8 years away from the appliance and power cable.

1.4 Safe use

WARNING – Risk of suffocation!

Children may put packaging material over their heads or wrap themselves up in it and suffocate.

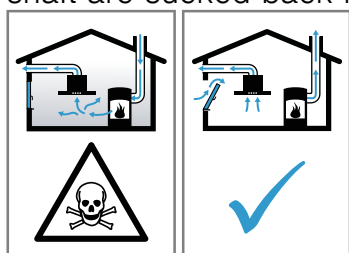
- ▶ Keep packaging material away from children.
- ▶ Do not let children play with packaging material.

Children may breathe in or swallow small parts, causing them to suffocate.

- ▶ Keep small parts away from children.
- ▶ Do not let children play with small parts.

⚠ WARNING – Risk of poisoning!

Risk of poisoning from flue gases being drawn back in. Room-air-dependent heat-producing appliances (e.g. gas, oil, wood or coal-operated heaters, continuous flow heaters or water heaters) obtain combustion air from the room in which they are installed and discharge the exhaust gases into the open through an exhaust gas system (e.g. a chimney). With the extractor hood switched on, air is extracted from the kitchen and the adjacent rooms. Without an adequate supply of air, the air pressure falls below atmospheric pressure. Toxic gases from the flue or the extraction shaft are sucked back into the living space.



- ▶ Always ensure adequate fresh air in the room if the appliance is being operated in exhaust air mode at the same time as a room-air-dependent heat-producing appliance is being operated.
- ▶ It is only possible to safely operate the appliance if the pressure in the room in which the heating appliance is installed does not drop more than 4 Pa (0.04 mbar) below atmospheric pressure. This can be achieved whenever the air needed for combustion is able to enter through openings that cannot be sealed, for example in doors, windows, incoming/exhaust air wall boxes or by other technical means. An incoming/exhaust air wall box alone does not ensure compliance with the limit.
- ▶ In any case, consult your responsible chimney sweep. They are able to assess the house's entire ventilation setup and will suggest the suitable ventilation measures to you.
- ▶ Unrestricted operation is possible if the appliance is operated exclusively in circulating-air mode.

⚠ WARNING – Risk of fire!

Fatty deposits in the grease filters may catch fire.

- ▶ Never operate the appliance without a grease filter.

- ▶ Clean the grease filters regularly.
- ▶ Never work with naked flames close to the appliance (e.g. flambéing).
- ▶ Do not install the appliance near a solid fuel heating appliance (e.g. wood- or coal-burning) unless the heating appliance has a sealed, non-removable cover. There must be no flying sparks.

Hot oil or grease ignites very quickly.

- ▶ Always supervise hot oil and fat.
- ▶ Never extinguish burning oil or fat with water. Switch off the cooking zone. Extinguish flames carefully using a lid, fire blanket or something similar.

When gas burners are in operation without any cookware placed on them, they can build up a lot of heat. A ventilation appliance installed above the cooker may become damaged or catch fire.

- ▶ Only operate the gas burners with cookware on them.

Operating multiple gas hobs at the same time generates a great deal of heat. A ventilation appliance installed above the cooker may become damaged or catch fire.

- ▶ Only operate the gas hobs with cookware on them.
- ▶ Select the highest fan setting.
- ▶ Never operate two gas hobs simultaneously on the highest flame for longer than 15 minutes. Two gas hobs correspond to one large burner.
- ▶ Never operate large burners of more than 5 kW with the highest flame for longer than 15 minutes, e.g. a wok.

⚠ WARNING – Risk of burns!

The accessible parts of the appliance become hot during operation.

- ▶ Never touch these hot parts.
- ▶ Keep children at a safe distance.

The appliance becomes hot during operation.

- ▶ Allow the appliance to cool down before cleaning.

⚠ WARNING – Risk of injury!

Components inside the appliance may have sharp edges.

- ▶ Carefully clean the appliance interior. Items placed on the appliance may fall off.

- ▶ Do not place any objects on the appliance.

Changes to the electrical or mechanical assembly are dangerous and may lead to malfunctions.

- ▶ Do not make any changes to the electrical or mechanical assembly.

Risk of injury when opening and closing the hinges.

- ▶ Keep your hands away from the hinges. The light emitted by LED lights is very dazzling, and can damage the eyes (risk group 1).

- ▶ Do not look directly into the switched-on LED lights for longer than 100 seconds.

⚠ WARNING – Risk of electric shock!

An ingress of moisture can cause an electric shock.

- ▶ Before cleaning, pull out the mains plug or switch off the fuse in the fuse box.
- ▶ Do not use steam- or high-pressure cleaners to clean the appliance.

⚠ WARNING – Risk of explosion!

Highly caustic alkaline or highly acidic cleaning agents in conjunction with aluminium parts in the interior of the appliance may cause explosions.

- ▶ Never use highly caustic alkaline or highly acidic cleaning agents. In particular, do not use commercial or industrial cleaning agents in conjunction with aluminium parts, e.g. grease filter on extractor hoods.

⚠ WARNING – Risk of fire!

Fatty deposits in the grease filters may catch fire.

- ▶ Clean the grease filters regularly.

⚠ WARNING – Risk of injury!

Improper repairs are dangerous.

- ▶ Repairs to the appliance should only be carried out by trained specialist staff.
- ▶ If the appliance is defective, call Customer Service.

⚠ WARNING – Risk of electric shock!

Penetrating moisture may cause an electric shock.

- ▶ Do not use wet sponge cloths.

2 Avoiding material damage

ATTENTION!

Condensate may cause corrosion damage.

- ▶ To prevent condensation from building up, switch on the appliance during cooking.

If moisture gets into the controls, this may result in damage.

- ▶ Never clean controls with a wet cloth.

Incorrect cleaning damages the surfaces.

- ▶ Follow the cleaning instructions.
- ▶ Do not use harsh or abrasive detergents.
- ▶ Clean stainless steel surfaces in the direction of the finish only.
- ▶ Never clean controls with stainless steel cleaners. Condensation that flows back in may damage the appliance.
- ▶ To prevent condensate from returning, fit the exhaust air pipe with a 1° gradient from the appliance.

If you put incorrect stress on the design elements, they may break off.

- ▶ Do not pull design elements.
- ▶ Do not place objects on the design elements or hang objects from them.

There is a risk of surface damage if you do not peel off the protective film.

- ▶ Remove the protective film from all parts of the appliance before using for the first time.

If one lamp is defective, this may overload the remaining lamps.

- ▶ Replace any defective lamps.

Painted surfaces are easily damaged.

- ▶ Follow the cleaning instructions.
→ "Cleaning the appliance", Page 7
- ▶ Ensure that the painted surfaces are not scratched.

3 Environmental protection and saving energy

3.1 Disposing of packaging

The packaging materials are environmentally compatible and can be recycled.

- ▶ Sort the individual components by type and dispose of them separately.

3.2 Saving energy

If you follow these instructions, your appliance will use less power.

Adjust the fan speed to the amount of steam produced during cooking.

- The lower the fan speed, the less energy is consumed.

If cooking produces large amounts of steam, select a higher fan speed in good time.

- The odours are distributed around the room less.

Switch off the lighting if it is no longer required.

- When the lighting is switched off, it does not consume any energy.

Clean or replace the filters at regular intervals.

- The effectiveness of the filter is retained.

Put the cooking lid on.

- The cooking vapours and condensation are reduced.

Only use the additional functions if required.

- Switching off additional functions reduces power consumption.

4 Operating modes

You can use your appliance in air extraction mode or circulating-air mode.

4.1 Air extraction mode

The air which is drawn in is cleaned by the grease filters and conveyed to the exterior by a pipe system.



The air must not be discharged into a flue that is used for exhausting fumes from appliances burning gas or other fuels (not applicable to appliances that only discharge the air back into the room).

- If the exhaust air is to be conveyed into a non-functioning smoke or exhaust gas flue, you must obtain the consent of the heating engineer responsible.
- If the exhaust air is conveyed through the external wall, a telescopic duct should be used.

4.2 Air recirculation

The air which is drawn in is cleaned by the grease filters and an odour filter, and conveyed back into the room.



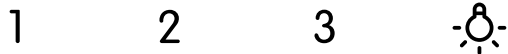
To bind odours in air recirculation mode, you must install an odour filter. The different options for operating the appliance in air circulation mode can be found in our catalogue. Alternatively, ask your dealer. The required accessories are available from specialist retailers, from our after-sales service or from the online shop.

→ "Accessories", Page 6

5 Familiarising yourself with your appliance

5.1 Controls

The controls are used to configure all functions of your appliance and to obtain information about the operating status.



1	Switches on fan setting 1.
2	Switches fan setting 2 on.
3	Switches on fan setting 3.
	Switch the lighting on or off.

6 Accessories

You can buy accessories from the after-sales service, from specialist retailers or online. Only use original accessories, as these have been specifically designed for your appliance.

Accessories vary from one appliance to another. When purchasing accessories, always quote the exact product number (E no.) of your appliance. → Page 9

You can find out which accessories are available for your appliance in our catalogue, in the online shop or from our after-sales service.
siemens-home.bsh-group.com

Accessories	Order number
Standard odor filter	LA10LKA6

7 Basic operation

7.1 Switching on the appliance

- ▶ Press 1.
- ✓ The appliance starts at fan setting 1.

7.2 Setting a fan setting

- ▶ Press 2 or 3 to set the corresponding fan level.

7.3 Switching off the appliance

- ▶ Press the button for the selected fan level again.

7.4 Switching on the fan run-on

During the fan run-on, the appliance continues to run for a short time and then switches off automatically.

- ▶ Press and hold 1, 2 or 3.
- ✓ The appliance switches off automatically after approx. 15 minutes.

7.5 Switching off the fan run-on

- ▶ Press 1, 2 or 3.
- ✓ The fan run-on ends before the remaining run-on time has elapsed.
- ✓ The ventilation system continues at the selected fan setting and does not switch off automatically.

7.6 Switching on the lighting

The lighting can be switched on and off independently of the ventilation system.

- ▶ Press .

7.7 Switching off the lighting

- ▶ Press .

8 Cleaning and servicing

To keep your appliance working efficiently for a long time, it is important to clean and maintain it carefully.

8.1 Cleaning products

You can obtain suitable cleaning products from after-sales service or the online shop.

ATTENTION!

Unsuitable cleaning products may damage the surfaces of the appliance.

- ▶ Do not use harsh or abrasive detergents.
- ▶ Do not use cleaning products with a high alcohol content.
- ▶ Do not use hard scouring pads or cleaning sponges.

- ▶ Only use glass cleaners, glass scrapers or stainless steel care products if recommended in the cleaning instructions for the relevant part.
- ▶ Wash sponge cloths thoroughly before use.

8.2 Cleaning the appliance

Clean the appliance as specified. This will ensure that the different parts and surfaces of the appliance are not damaged by incorrect cleaning or unsuitable cleaning products.

⚠ WARNING – Risk of explosion!

Highly caustic alkaline or highly acidic cleaning agents in conjunction with aluminium parts in the interior of the appliance may cause explosions.

- ▶ Never use highly caustic alkaline or highly acidic cleaning agents. In particular, do not use commercial or industrial cleaning agents in conjunction with aluminium parts, e.g. grease filter on extractor hoods.

⚠ WARNING – Risk of electric shock!

An ingress of moisture can cause an electric shock.

- ▶ Before cleaning, pull out the mains plug or switch off the fuse in the fuse box.
- ▶ Do not use steam- or high-pressure cleaners to clean the appliance.

⚠ WARNING – Risk of burns!

The appliance becomes hot during operation.

- ▶ Allow the appliance to cool down before cleaning.

⚠ WARNING – Risk of injury!

Components inside the appliance may have sharp edges.

- ▶ Carefully clean the appliance interior.

1. Observe the information regarding the cleaning agents.
2. Clean as follows, depending on the surface:
 - Clean stainless steel surfaces in the direction of the finish using a sponge cloth and hot soapy water.
 - Clean painted surfaces using a damp sponge cloth and hot soapy water.
 - Clean aluminium using a soft cloth and glass cleaner.
 - Clean plastic using a soft cloth and glass cleaner.
 - Clean glass using a soft cloth and glass cleaner.
3. Dry with a soft cloth.
4. Apply a thin layer of the stainless steel cleaning product to stainless steel surfaces using a soft cloth.
You can obtain stainless steel cleaning products from the after-sales service or the online shop.

8.3 Cleaning controls

⚠ WARNING – Risk of electric shock!

Penetrating moisture may cause an electric shock.

- ▶ Do not use wet sponge cloths.
1. Observe the information regarding the cleaning agents.
 2. Clean using a damp sponge cloth and hot soapy water.
 3. Dry with a soft cloth.

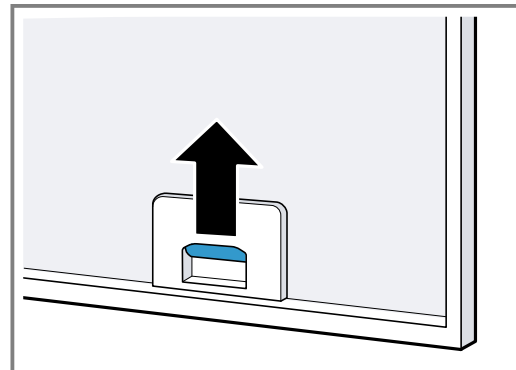
8.4 Removing the grease filter

1. ATTENTION!

Falling grease filters may damage the hob below.

- ▶ Grip below the grease filter with one hand.

Open the locks on the grease filters.



2. Remove the grease filters from the holders.

To prevent grease from dripping, hold the grease filter horizontally.

8.5 Cleaning grease filters manually

The grease filters filter the grease from the cooking vapour. Regularly cleaned grease filters guarantee a high level of grease removal. We recommend cleaning the grease filters every two months.

⚠ WARNING – Risk of fire!

Fatty deposits in the grease filters may catch fire.

- ▶ Clean the grease filters regularly.

Requirement: The grease filters have been removed.
→ "Removing the grease filter", Page 7

1. Observe the information regarding the cleaning agents.
2. Soak the grease filter in hot soapy water. Use special grease solvent for stubborn dirt. You can obtain grease solvents from after-sales service or the online shop.
3. Use a brush to clean the grease filters.
4. Rinse the grease filters thoroughly.
5. Allow the grease filters to drain.

8.6 Cleaning grease filters in the dishwasher

The grease filters filter the grease from the cooking vapour. Regularly cleaned grease filters guarantee a high level of grease removal. We recommend cleaning the grease filters every two months.

⚠ WARNING – Risk of fire!

Fatty deposits in the grease filters may catch fire.

- ▶ Clean the grease filters regularly.

ATTENTION!

The grease filters may become damaged if they are squeezed.

- ▶ Do not squeeze the grease filters.

Note: When cleaning the grease filter in the dishwasher, light discolouration may occur. This discolouration has no effect on the performance of the metal grease filters.

Requirement: The grease filters have been removed.
→ "Removing the grease filter", Page 7

1. Observe the information regarding the cleaning agents.
2. Place the grease filters loosely into the dishwasher. Do not clean heavily soiled grease filters with utensils.
Use special grease solvent for stubborn dirt. You can obtain grease solvents from after-sales service or the online shop.
3. Start the dishwasher.
Select a temperature of no more than 70 °C.
4. Allow the grease filters to drain.

8.7 Fitting grease filters

ATTENTION!

Falling grease filters may damage the hob below.
▶ Grip below the grease filter with one hand.

1. Fit the grease filters.
2. Fold the grease filters upwards and engage the locks.
3. Make sure that the locks engage.

8.8 Odour filter for recirculating air mode

Odour filters bind odorous substances in air recirculation mode. Regularly replaced odour filters guarantee a high level of odour removal.

With normal use (approx. one hour a day), the odour filter must be replaced every 3-5 months. The odour filter cannot be cleaned or regenerated.

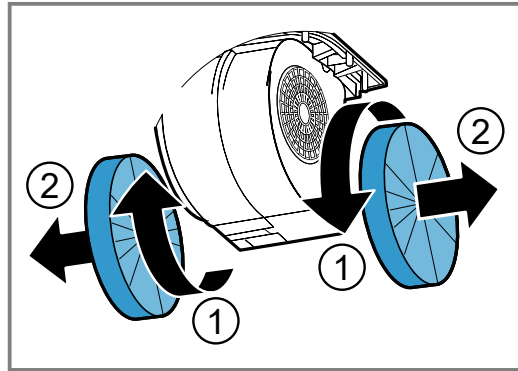
You can obtain odour filters from the after-sales service or the online shop. Only use original odour filters.

→ "Accessories", Page 6

Removing odour filter

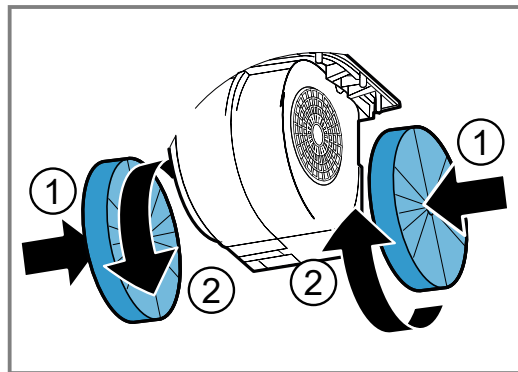
Requirement: The grease filters have been removed.
→ "Removing the grease filter", Page 7

- ▶ Rotate the old odour filters ① and remove them from the holder ②.



Fitting odour filters

1. Push the new odour filters onto the holder ① and rotate ②.



2. Install the grease filters.
→ "Fitting grease filters", Page 8

9 Troubleshooting

You can rectify minor faults on your appliance yourself. Read the troubleshooting information before contacting after-sales service. This will avoid unnecessary costs.

⚠ WARNING – Risk of injury!

Improper repairs are dangerous.

- ▶ Repairs to the appliance should only be carried out by trained specialist staff.
- ▶ If the appliance is defective, call Customer Service.

9.1 Malfunctions

Fault	Cause and troubleshooting
The appliance is not working.	The mains plug of the power cord is not plugged in. ▶ Connect the appliance to the power supply.
	The circuit breaker is faulty. ▶ Check the circuit breaker in the fuse box.
	There has been a power cut. ▶ Check whether the lighting in your room or other appliances are working.
The LED lighting does not work.	The LED lamp is defective. ▶ → "Replacing the LED lights", Page 9

9.2 Replacing the LED lights

⚠ WARNING – Risk of electric shock!

When changing the bulb, the bulb socket contacts are live.

- ▶ Before replacing the bulb, unplug the appliance from the mains or switch off the circuit breaker in the fuse box.

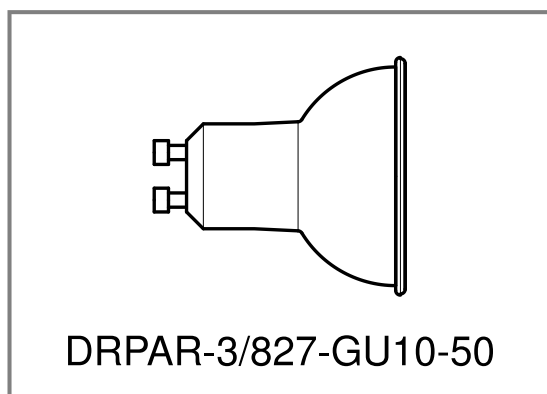
⚠ WARNING – Risk of injury!

The light emitted by LED lights is very dazzling, and can damage the eyes (risk group 1).

- ▶ Do not look directly into the switched-on LED lights for longer than 100 seconds.

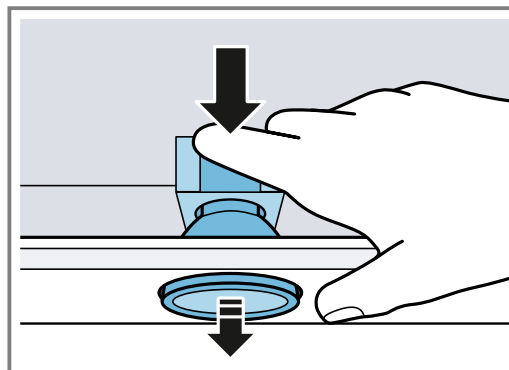
Note:

Only use bulbs of the same type and wattage.

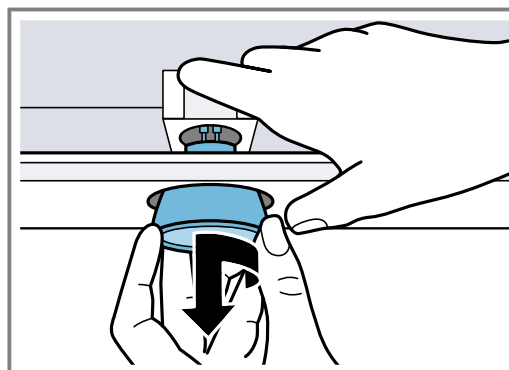


1. Disconnect the appliance from the power supply.
2. Remove the grease filters.
→ "Removing the grease filter", Page 7

3. Push the lamp out of the appliance from the rear.



4. Turn the lamp a quarter turn anti-clockwise and remove it.



5. Replace the lamp with one of the same type.
6. Install the grease filters.
7. Insert the mains plug and switch on the fuse again.

10 Disposal

10.1 Disposing of old appliance

Valuable raw materials can be reused by recycling.

- ▶ Dispose of the appliance in an environmentally friendly manner.
Information about current disposal methods are available from your specialist dealer or local authority.



This appliance is labelled in accordance with European Directive 2012/19/EU concerning used electrical and electronic appliances (waste electrical and electronic equipment - WEEE).

The guideline determines the framework for the return and recycling of used appliances as applicable throughout the EU.

11 Customer Service

Detailed information on the warranty period and terms of warranty in your country is available from our after-sales service, your retailer or on our website.

If you contact Customer Service, you will require the product number (E-Nr.) and the production number (FD) of your appliance.

The contact details for Customer Service can be found in the enclosed Customer Service directory or on our website.

11.1 Product number (E-Nr.) and production number (FD)

You can find the product number (E-Nr.) and the production number (FD) on the appliance's rating plate. Depending on the model, the rating plate can be found:

- Inside the appliance (remove grease filters for access).
- On top of the appliance.

Make a note of your appliance's details and the Customer Service telephone number to find them again quickly.

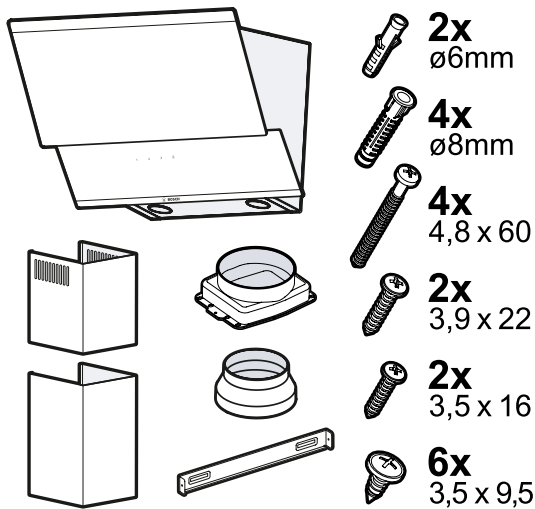
12 Installation instructions

Observe this information when installing the appliance.



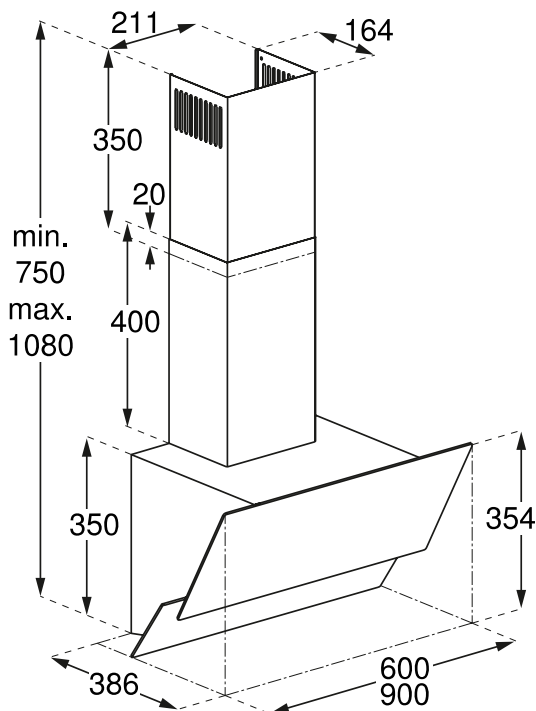
12.1 Scope of delivery

After unpacking all parts, check for any damage in transit and completeness of the delivery.



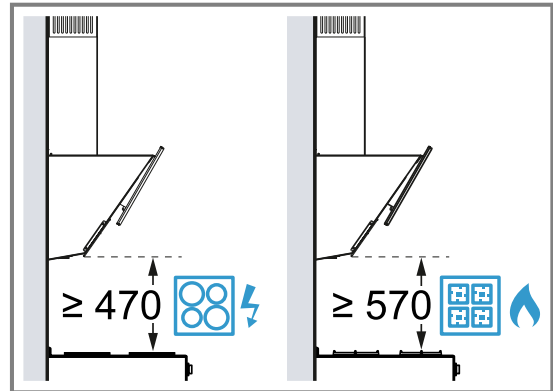
12.2 Appliance dimensions

You will find the dimensions of the appliance here



12.3 Safety clearances

Comply with the safety clearances for the appliance.

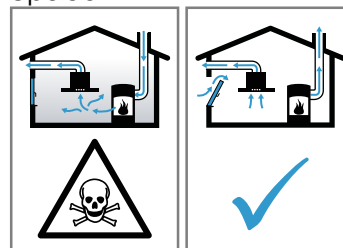


12.4 Secure installation

Follow these safety instructions when installing the appliance.

⚠ WARNING – Risk of poisoning!

Risk of poisoning from flue gases being drawn back in. Room-air-dependent heat-producing appliances (e.g. gas, oil, wood or coal-operated heaters, continuous flow heaters or water heaters) obtain combustion air from the room in which they are installed and discharge the exhaust gases into the open through an exhaust gas system (e.g. a chimney). With the extractor hood switched on, air is extracted from the kitchen and the adjacent rooms. Without an adequate supply of air, the air pressure falls below atmospheric pressure. Toxic gases from the chimney or the extraction shaft are sucked back into the living space.



- ▶ Always ensure adequate fresh air in the room if the appliance is being operated in exhaust air mode at the same time as a room-air-dependent heat-producing appliance is being operated.
- ▶ It is only possible to safely operate the appliance if the pressure in the room in which the heating appliance is installed does not fall below 4 Pa (0.04 mbar). This can be

achieved whenever the air needed for combustion is able to enter through openings that cannot be sealed, for example in doors, windows, incoming/exhaust air wall boxes or by other technical means. An incoming/exhaust air wall box alone is not sufficient to ensure compliance with the limit.

- ▶ In any case, consult your responsible chimney sweep. They are able to assess the house's entire ventilation setup and will suggest the suitable ventilation measures to you.
- ▶ Unrestricted operation is possible if the appliance is operated exclusively in circulating-air mode.

Risk of poisoning from flue gases being drawn back in.

- ▶ If an extractor hood with an open-flued heat production source is installed, the power supply for the extractor hood must be provided with a suitable safety switch.

Risk of poisoning from flue gases being drawn back in.

- ▶ Do not emit the exhaust air into a smoke or exhaust gas flue that is in operation.
- ▶ Do not emit the exhaust air into a shaft that is used to ventilate installation rooms for heat-producing appliances.
- ▶ If the exhaust air is to be conveyed into a smoke or exhaust gas flue, you must obtain the consent of the heating engineer responsible.

⚠ WARNING – Risk of suffocation!

Children may put packaging material over their heads or wrap themselves up in it and suffocate.

- ▶ Keep packaging material away from children.
- ▶ Do not let children play with packaging material.

⚠ WARNING – Risk of fire!

The grease deposits in the grease filter may catch fire.

- ▶ Never work with naked flames close to the appliance (e.g. flambéing).
- ▶ Do not install the appliance near a heat-producing appliance for solid fuel (e.g. wood or coal) unless a closed, non-removable cover is present. There must be no flying sparks.

- ▶ The specified safety clearances must be complied with in order to prevent a build-up of heat.
- ▶ Observe the specifications for your cooking appliances. If the installation instructions for the cooking appliances specify a different clearance, the larger of the two must always be provided for. If gas hobs and electric hobs are operated together, the largest specified clearance applies.

⚠ WARNING – Risk of injury!

Components inside the appliance may have sharp edges.

- ▶ Wear protective gloves.

The appliance may fall down if it has not been properly fastened in place.

- ▶ All fastening components must be fixed firmly and securely in place.

Risk of injury from glass splinters.

- ▶ Protect the filter cover against impact.
- ▶ Do not drop the filter cover.
- ▶ Wear protective goggles during installation.

The appliance is heavy.

- ▶ To move the appliance, two people are required.

- ▶ Use only suitable tools and equipment.

The appliance is heavy.

- ▶ The appliance must not be fitted directly onto plasterboard or similar lightweight materials.
- ▶ To ensure correct installation, you must use a material which is sufficiently stable and suitable for both the structural conditions and the weight of the appliance.

Changes to the electrical or mechanical assembly are dangerous and may lead to malfunctions.

- ▶ Do not make any changes to the electrical or mechanical assembly.

Risk of injury when opening and closing the hinges.

- ▶ Keep your hands away from the hinges.

⚠ WARNING – Risk of electric shock!

Sharp-edged components inside the appliance may damage the connecting cable.

- ▶ Do not kink or trap the connecting cable.

Incorrect installation is dangerous.

- ▶ Connect and operate the appliance only in accordance with the specifications on the rating plate.

- ▶ Connect the appliance to a power supply with alternating current only via a properly installed socket with earthing.
- ▶ The protective conductor system of the domestic electrical installation must be properly installed.
- ▶ Never equip the appliance with an external switching device, e.g. a timer or remote control.
- ▶ When the appliance is installed, the mains plug of the power cord must be freely accessible. If free access is not possible, an all-pole isolating switch must be installed in the permanent electrical installation according to the conditions of Overvoltage Category III and according to the installation regulations.
- ▶ When installing the appliance, check that the power cable is not trapped or damaged.

12.5 General information

Follow these general instructions during the installation.

- For the installation, observe the currently valid building regulations and the regulations of the local electricity and gas suppliers.
- When discharging the exhaust air, the official and legal regulations, such as the regional building code., must be observed.
- In order to freely access the appliance for servicing, select an easy-to-reach installation site.
- The surfaces of the appliance are sensitive. Avoid damaging them during installation.

12.6 Instructions for the electrical connection

In order to safely connect the appliance to the electrical system, follow these instructions.

⚠ WARNING – Risk of electric shock!

It must always be possible to disconnect the appliance from the electricity supply. The appliance must only be connected to a protective contact socket that has been correctly installed.

- ▶ The mains plug for the mains power cable must be easily accessible after the appliance is installed.
- ▶ If this is not possible, an all-pole isolating switch must be integrated into the permanent electrical installation according to the conditions of overvoltage category III and according to the installation regulations.
- ▶ The permanent electrical installation must only be wired by a professional electrician. We recommend installing a residual-current circuit breaker (RCCB) in the appliance's power supply circuit.

Sharp-edged components inside the appliance may damage the connecting cable.

- ▶ Do not kink or trap the connecting cable.
- The connection data can be found on the rating plate. → *Page 9*

- The connecting cable is approx. 1.30 m long.
- This appliance complies with the EC interference suppression regulations.
- The appliance corresponds to protection class 1. You should therefore only use the appliance with a protective earth connection.
- Do not connect the appliance to the power supply during installation.
- Ensure that the protection against contact is guaranteed during installation.

12.7 Information on the installation situation

- Install this appliance on the kitchen wall.
- To install additional special accessory parts, observe the enclosed installation instructions.
- The width of the extractor hood must correspond at least with the width of the hob.
- To optimally detect the cooking vapours, install the appliance in the middle of the hob.

12.8 Instructions for the exhaust air pipe

The appliance manufacturer does not provide any warranty for faults attributable to the pipeline.

- Use a short, straight exhaust air pipe with as large a pipe diameter as possible.
- Long, rough exhaust air pipes, many pipe bends or small pipe diameters reduce the suction power and increase the fan noise.
- Use an exhaust air pipe that is made of non-combustible material.
- To prevent condensate from returning, fit the exhaust pipe with a 1° gradient from the appliance.

Flat ducts

Use flat ducts with an inner cross-section that corresponds to the diameter of the round pipes:

- Diameter of 150 mm corresponds to approx. 177 cm².
- Diameter of 120 mm corresponds to approx. 113 cm².
- Use sealing strips for different pipe diameters.
- Do not use any flat ducts with sharp bends.

Round pipes

Use round pipes with an inner diameter of 150 mm (recommended) or at least 120 mm.

12.9 Instructions for the air extraction mode

For air extraction mode, a one-way flap should be installed.

Notes

- If a one-way flap is not included with the appliance, one can be ordered from a specialist retailer.
- If the exhaust air is conveyed through the external wall, a telescopic duct should be used.

12.10 Information about circulating-air mode

The appliance must only be operated when it is securely installed and the pipework is connected.

12.11 Installation

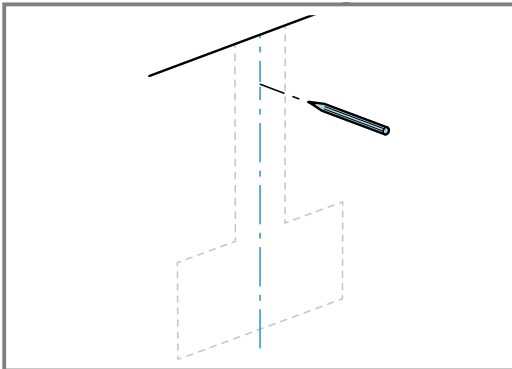
Checking the wall

1. Check whether the wall is vertical and has sufficient load-bearing capacity.
The maximum weight of the appliance is 16 kg.
2. Drill the hole depth in accordance with the length of the screws.
The wall plugs must have a secure grip.
The enclosed screws and wall plugs are suitable for securing the appliance to the following walls: Solid brickwork, plasterboard, porous concrete, poroton bricks.

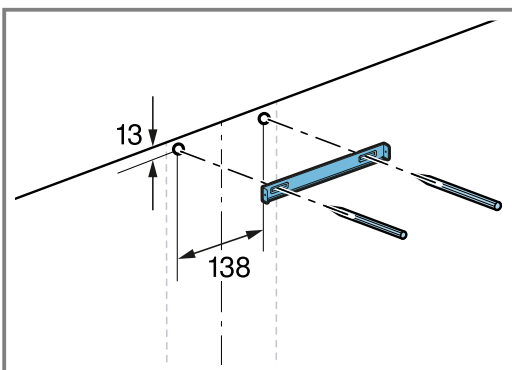
Note: When drilling holes, always check the wall's stability before the unit is attached to the wall. If the wall is not sufficient stability, the appliance cannot be mounted.

Preparing the wall

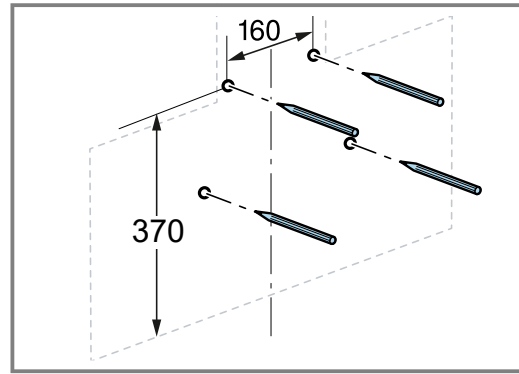
1. Ensure that there are no electrical wires, gas pipes or water pipes in the area where holes are to be drilled.
2. Cover the hob to prevent damage.
3. Mark a vertical centre line on the wall from the ceiling to the lower edge of the appliance.



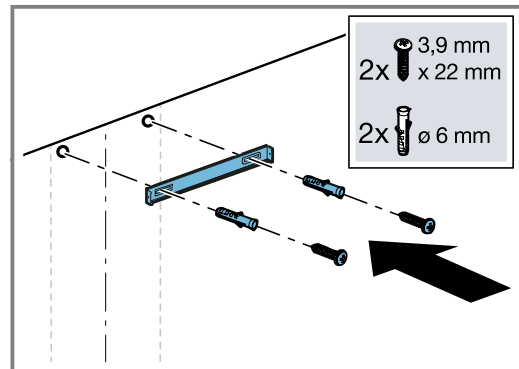
4. Centre the angle brackets using the centre line.
The centre of the angle brackets is marked with a notch.
5. Align the angle brackets horizontally.
6. Mark the holes for the angle brackets in the flue.



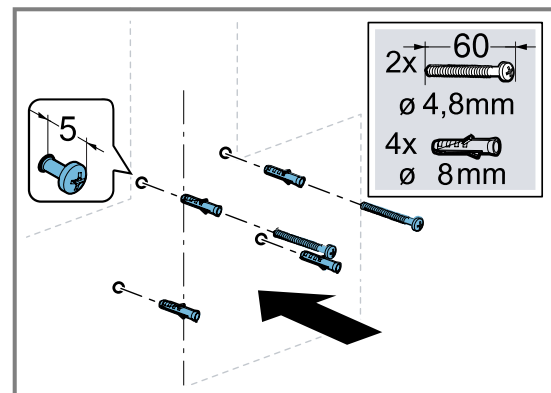
7. Mark the holes for the appliance bracket.



8. Drill the holes.
9. Insert the wall plugs flush with the wall.
10. Screw on the angle bracket for the flue duct.

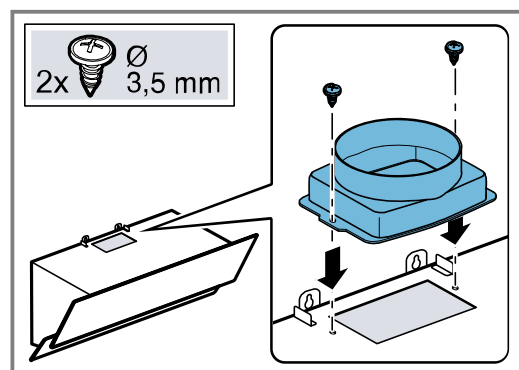


11. Screw in the screws for the appliance bracket loosely; do not tighten them fully.



Preparing the appliance

1. Remove the grease filters.
To avoid causing damage, do not bend the grease filters.
2. Secure the air pipe connector to the appliance.



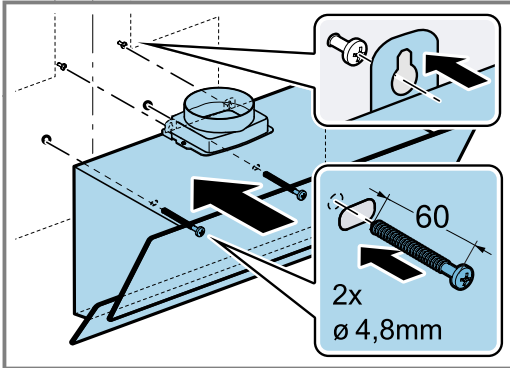
Installing the appliance

⚠ WARNING – Risk of injury!

Components inside the appliance may have sharp edges.

► Wear protective gloves.

1. Remove the protective film from the rear.
 - Once the appliance is installed, fully remove the protective film.
2. Hook on the appliance.



3. Align the appliance horizontally using screws.
4. Fit the grease filters.
 - To avoid causing damage, do not bend the grease filters.

Establishing the exhaust air connection (exhaust pipe, 150 mm diameter)

1. Secure the exhaust pipe to the air pipe connector.
2. Establish the connection to the exhaust air opening.
3. Seal the joints.

Establishing the exhaust air connection (exhaust pipe, 120 mm diameter)

1. Secure the reducing connector to the air-pipe connector.
2. Secure the exhaust pipe to the air pipe connector.
3. Establish the connection to the exhaust air opening.
4. Seal the joints.

Fitting the flue duct

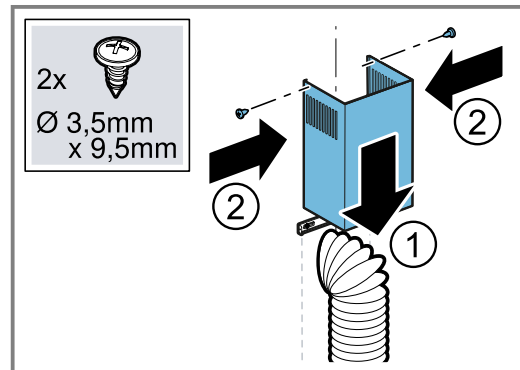
⚠ WARNING – Risk of injury!

Components inside the appliance may have sharp edges.

► Wear protective gloves.

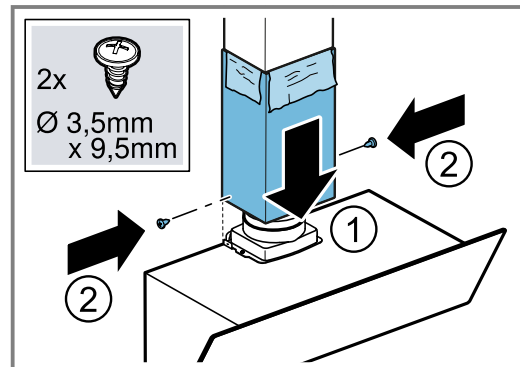
1. Remove the protective foil from both flue duct sections.

2. Fit the upper flue duct section.
 - Gently push the two side panels apart, and then hook them into the angle bracket on the left and right. ①
 - Screw the upper flue duct section onto the sides of both angle brackets. ②



If air extraction is required, fit the flue duct section with its slots facing downwards.

3. Install the lower flue duct section.
 - Gently push the two side panels apart, hook them in behind the upper flue duct section and then push them back together as far as they will go. ①
 - Place the flue duct sections onto the appliance and screw them to the sides of the angle bracket. ②



To prevent scratches, lay paper over the edges of the lower flue duct section to protect the surface.

Removing the appliance

1. Remove the flue duct.
2. Disconnect the appliance from the power supply.
3. Loosen the exhaust pipe.
4. Remove the grease filters.
 - To avoid causing damage, do not bend the grease filters.
5. Loosen the screws for the appliance bracket slightly but do not undo them fully.
6. Remove the appliance.
7. Loosen the angle bracket for the flue duct.

Table des matières

MANUEL D'UTILISATION

1	Sécurité.....	15
2	Prévenir les dégâts matériels.....	17
3	Protection de l'environnement et économies d'énergie.....	18
4	Modes de fonctionnement.....	18
5	Description de l'appareil.....	19
6	Accessoires.....	19
7	Utilisation.....	19
8	Nettoyage et entretien.....	19
9	Dépannage.....	21
10	Mise au rebut.....	22
11	Service après-vente.....	23
12	INSTRUCTIONS DE MONTAGE.....	23
12.4	Installation en toute sécurité.....	24

1 Sécurité

Respectez les consignes de sécurité suivantes.

1.1 Indications générales

- Lisez attentivement cette notice.
- Conservez la notice ainsi que les informations produites en vue d'une réutilisation ultérieure ou pour un futur nouveau propriétaire.
- Ne branchez pas l'appareil si ce dernier a été endommagé durant le transport.

1.2 Utilisation conforme

Cet appareil est conçu pour être encastré uniquement. Respecter les instructions de montage spécifiques.

La sécurité d'utilisation est garantie uniquement en cas d'installation correcte et conforme aux instructions de montage. Le monteur est responsable du fonctionnement correct sur le lieu où l'appareil est installé.

Utilisez l'appareil uniquement :

- pour aspirer les vapeurs de cuisson.
- pour un usage privé et dans les pièces fermées d'un domicile.

- jusqu'à une altitude maximale de 2000 m au-dessus du niveau de la mer.

N'utilisez pas l'appareil :

- avec une minuterie externe

1.3 Restrictions du périmètre utilisateurs

Les enfants de 8 ans et plus, les personnes souffrant d'un handicap physique, sensoriel ou mental ou ne détenant pas l'expérience et/ou les connaissances nécessaires pourront utiliser cet appareil à condition de le faire sous surveillance, ou que son utilisation sûre leur ait été enseignée et qu'ils aient compris les dangers qui en émanent.

Les enfants ne sont pas autorisés à jouer avec l'appareil.

Les enfants ne doivent en aucun cas s'occuper du nettoyage et de la maintenance utilisateur, sauf s'ils sont âgés de 15 ans et plus et agissent sous surveillance.

Les enfants de moins de 8 ans doivent être tenus à distance de l'appareil et du cordon d'alimentation secteur.

1.4 Utilisation sûre

AVERTISSEMENT – Risque d'asphyxie !

Les enfants risquent de s'envelopper dans les matériaux d'emballage ou de les mettre sur la tête et de s'étouffer.

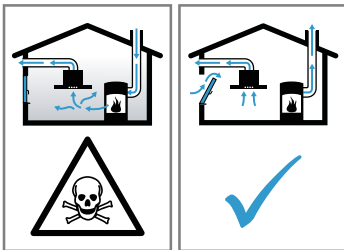
- ▶ Conserver les matériaux d'emballage hors de portée des enfants.
- ▶ Ne jamais laisser les enfants jouer avec les emballages.

Les enfants risquent d'inhaler ou d'avaler des petits morceaux et s'étouffer.

- ▶ Conserver les petites pièces hors de portée des enfants.
- ▶ Ne pas laisser les enfants jouer avec les petites pièces.

⚠ AVERTISSEMENT – Risque d'empoisonnement !

Les gaz de combustion aspirés peuvent conduire à l'empoisonnement. Les foyers à combustion alimentés en air ambiant (par exemple appareils de chauffage au gaz, au fioul, au bois ou au charbon, les chauffe-eaux intégrés sous cuve, les chauffe-eaux accumulateurs) prélèvent l'air de combustion dans la pièce où ils sont installés et rejettent les gaz de fumée à l'extérieur par le biais d'un système spécifique (par ex., cheminée). Lorsque la hotte aspirante est en marche, elle prélève de l'air dans la cuisine et dans les pièces voisines. L'absence d'un apport d'air suffisant crée une pression négative. Les gaz toxiques provenant de la cheminée ou du conduit d'évacuation sont réaspirés dans les pièces d'habitation.



- ▶ En cas d'utilisation simultanée de l'appareil en mode évacuation extérieure et d'un foyer à combustion alimenté en air ambiant, veillez impérativement à ce que l'apport d'air soit toujours suffisant.
- ▶ Le fonctionnement sûr de l'appareil n'est possible que si la dépression dans la pièce où est installé le foyer ne dépasse pas 4 Pa (0,04 mbar). Cette valeur n'est réalisable que si l'apport d'air frais nécessaire à la combustion est assuré par des ouvertures non obturables, par exemple dans des portes ou fenêtres, associées à un caisson mural d'entrée et de sortie d'air, ou bien par d'autres moyens techniques. Un caisson mural d'entrée et de sortie d'air ne suffit pas à assurer la valeur minimale nécessaire.
- ▶ Demandez toujours conseil à un maître ramoneur compétent qui pourra évaluer l'ensemble du réseau de ventilation de la maison et vous proposer le moyen le mieux adapté pour l'aération.
- ▶ Si l'appareil est utilisé exclusivement en mode recirculation de l'air, le fonctionnement est possible sans restriction.

⚠ AVERTISSEMENT – Risque d'incendie !

Les dépôts de graisse dans les filtres à graisse peuvent s'enflammer.

- ▶ Ne faites jamais fonctionner l'appareil sans filtre à graisse.
- ▶ Nettoyez régulièrement le filtre à graisse.
- ▶ Ne travaillez jamais avec une flamme nue à proximité de l'appareil (par ex. ne faites rien flamber).
- ▶ Installez l'appareil à proximité d'un foyer à combustibles solides (par ex. bois ou charbon) uniquement en présence d'un capot fermé et non amovible. Il ne doit pas y avoir de projection d'étincelles.

L'huile et la graisse chaudes s'enflamment rapidement.

- ▶ Surveillez constamment l'huile et la graisse chaudes.
- ▶ N'éteignez jamais de l'huile ou de la graisse enflammée avec de l'eau. Éteignez le foyer. Étouffez les flammes prudemment avec un couvercle, une couverture ou quelque chose de similaire.

Les foyers à gaz dégagent une forte chaleur lorsqu'aucun récipient n'est posé dessus. Un appareil de ventilation monté au-dessus d'eux risque alors d'être endommagé ou de prendre feu.

- ▶ Utilisez les foyers à gaz uniquement avec un récipient placé dessus.
- Le fonctionnement simultané de plusieurs foyers au gaz engendre une forte production de chaleur. Un appareil de ventilation monté au-dessus d'eux risque alors d'être endommagé ou de prendre feu.
- ▶ Utilisez les foyers à gaz uniquement avec un récipient placé dessus.
 - ▶ Réglez la vitesse de ventilation la plus élevée.
 - ▶ Ne faites jamais fonctionner en même temps deux foyers à gaz à feu vif pendant plus de 15 minutes. Deux foyers à gaz correspondent à un brûleur grande puissance.
 - ▶ Ne faites jamais fonctionner les grands brûleurs de plus de 5 kW avec la plus grande flamme pendant plus de 15 minutes, par ex. un wok.

⚠ AVERTISSEMENT – Risque de brûlures !

Les éléments accessibles deviennent chauds pendant le fonctionnement.

- ▶ Ne touchez jamais les éléments chauds.
- ▶ Éloignez les enfants.

L'appareil devient chaud pendant son utilisation.

- ▶ Laissez refroidir l'appareil avant de le nettoyer.

⚠ AVERTISSEMENT – Risque de blessure !

Certaines pièces à l'intérieur de l'appareil peuvent présenter des arêtes vives.

- ▶ Nettoyez l'intérieur de l'appareil avec précaution.

Les objets déposés sur l'appareil peuvent tomber.

- ▶ Ne déposez aucun objet sur l'appareil. Des modifications sur la construction électrique ou mécanique sont dangereuses et peuvent conduire à des dysfonctionnements.

- ▶ N'effectuez aucune modification sur la construction électrique ou mécanique.

Risque de blessure lors de l'ouverture et de la fermeture de la charnière.

- ▶ Ne posez jamais les doigts dans la zone mobile de la charnière.

La lumière de l'éclairage par LED est très éblouissante et peut causer des dommages aux yeux (groupe de risque 1).

- ▶ Ne regardez pas directement l'éclairage par LED allumé pendant plus de 100 secondes.

⚠ AVERTISSEMENT – Risque d'électrocution !

L'infiltration d'humidité peut occasionner un choc électrique.

- ▶ Avant le nettoyage, retirez la fiche secteur ou coupez le disjoncteur.
- ▶ Ne pas utiliser de nettoyeur vapeur ou haute pression pour nettoyer l'appareil.

⚠ AVERTISSEMENT – Risque d'explosion !

Les nettoyants caustiques fortement alcalins ou acides peuvent provoquer des explosions lorsqu'ils entrent en contact avec des pièces d'aluminium situées dans le compartiment de nettoyage du lave-vaisselle.

- ▶ N'utilisez jamais de nettoyants caustiques fortement alcalins ou acides. Notamment, n'utilisez aucun produit de nettoyage d'origine commerciale ou industrielle pour nettoyer des pièces en aluminium, par exemple des filtres à graisse pour hottes aspirantes.

⚠ AVERTISSEMENT – Risque d'incendie !

Les dépôts de graisse dans les filtres à graisse peuvent s'enflammer.

- ▶ Nettoyez régulièrement le filtre à graisse.

⚠ AVERTISSEMENT – Risque de blessure !

Les réparations non conformes sont dangereuses.

- ▶ Seul un personnel qualifié est en droit d'effectuer des réparations sur l'appareil.
- ▶ Si l'appareil est défectueux, appeler le service après-vente.

⚠ AVERTISSEMENT – Risque d'électrocution !

L'infiltration d'humidité peut occasionner un choc électrique.

- ▶ N'utilisez pas de tissu éponge mouillé.

2 Prévenir les dégâts matériels

ATTENTION !

La condensation peut provoquer de la corrosion.

- ▶ Allumez toujours l'appareil lorsque vous cuisinez afin d'éviter la formation de condensation.

Si de l'humidité pénètre dans les éléments de commande, des dommages peuvent survenir.

- ▶ Ne nettoyez jamais les éléments de commande avec un chiffon humide.

Un nettoyage incorrect endommage les surfaces.

- ▶ Respectez les consignes de nettoyage.
- ▶ N'utilisez pas de produits de nettoyage agressifs ou récurants.
- ▶ Nettoyez les surfaces en inox uniquement dans le sens de polissage du métal.

- ▶ Ne nettoyez jamais les éléments de commande avec un nettoyant pour inox.

L'eau de condensation qui s'écoule à l'arrière peut endommager l'appareil.

- ▶ Pour éviter tout retour de condensat, monter le conduit d'évacuation de l'appareil avec 1° de pente. Si vous sollicitez les éléments de design de manière incorrecte, ils peuvent se casser.
- ▶ Ne tirez pas sur les éléments de design.
- ▶ Ne posez ou ne suspendez aucun objet sur/à des éléments de design.

Les surfaces peuvent être endommagées par un film protecteur non retiré.

- ▶ Retirez le film protecteur de toutes les parties de l'appareil avant de l'utiliser pour la première fois.

Si une lampe est défectueuse, les autres peuvent être surchargées.

- ▶ Remplacez les lampes défectueuses.

Les surfaces laquées sont fragiles.

- ▶ Respectez les consignes de nettoyage.
→ "Nettoyer l'appareil", Page 20
- ▶ Protégez les surfaces laquées contre les rayures.

3 Protection de l'environnement et économies d'énergie

3.1 Élimination de l'emballage

Les emballages sont écologiques et recyclables.

- ▶ Veuillez éliminer les pièces détachées après les avoir triées par matière.



Éliminez l'emballage en respectant l'environnement.

3.2 Économies d'énergie

Si vous respectez les instructions suivantes, votre appareil consommera moins de courant.

Adaptez la vitesse du ventilateur à l'intensité des vapeurs de cuisson.

- Une faible vitesse du ventilateur est synonyme d'une faible consommation d'énergie.

En cas de vapeurs de cuisson intensives, sélectionnez dès que possible une vitesse de ventilation plus importante.

- Les odeurs se répandent moins dans la pièce.

Éteignez l'éclairage quand vous n'en avez plus besoin.

- Lorsque l'éclairage est éteint, il ne consomme pas d'énergie.

Nettoyez ou remplacez les filtres aux intervalles spécifiés.

- L'efficacité du filtre est conservée.

Utilisez le couvercle de cuisson.

- Les vapeurs de cuisson et les condensats sont réduits.

N'utilisez les fonctions supplémentaires qu'en cas de besoin.

- La désactivation des fonctions supplémentaires permet de réduire la consommation d'énergie.

4 Modes de fonctionnement

Vous pouvez utiliser votre appareil en mode évacuation extérieure ou en mode recirculation de l'air.

4.1 Mode évacuation extérieure

L'air aspiré est débarrassé des particules de graisse par les filtres, et transite par un conduit avant de gagner l'extérieur.



L'air ne doit pas être acheminé dans une cheminée servant à l'évacuation des gaz d'appareils qui sont utilisés pour la combustion de gaz ou d'autres combustibles (cela ne s'applique pas aux appareils de recyclage).

- Si l'air sortant circule par une cheminée ou une cheminée d'évacuation des gaz, vous devrez d'abord obtenir l'accord d'un ramoneur compétent.
- Si l'air sortant traverse la paroi extérieure, il convient d'utiliser un caisson télescopique mural.



Pour neutraliser les odeurs en mode recyclage, vous devez installer un filtre anti-odeurs. Pour connaître les différentes possibilités d'utiliser l'appareil en mode recyclage, consultez notre catalogue ou votre revendeur spécialisé. Vous pouvez vous procurer les accessoires dans un commerce spécialisé, auprès du service après-vente ou sur la boutique en ligne.

→ "Accessoires", Page 19

4.2 Mode recyclage

L'air aspiré est nettoyé par l'intermédiaire des filtres à graisse et d'un filtre anti-odeurs, puis il est renvoyé dans la pièce.

5 Description de l'appareil

5.1 Éléments de commande

Les éléments de commande vous permettent de configurer toutes les fonctions de votre appareil et vous donnent des informations sur l'état de fonctionnement.



1	Activer la vitesse de ventilation 1.
2	Activer la vitesse de ventilation 2.
3	Activer la vitesse de ventilation 3.
	Allumer ou éteindre l'éclairage.

6 Accessoires

Vous pouvez acheter des accessoires auprès du service après-vente ou sur notre site internet. Utilisez uniquement les accessoires d'origine, car ils sont parfaitement adaptés à votre appareil.

Les accessoires sont spécifiques à l'appareil. Lors de l'achat, indiquez toujours la désignation exacte de votre appareil (E-Nr.). → Page 23

Pour connaître les accessoires disponibles pour votre appareil, consultez notre boutique en ligne ou le service après-vente.

siemens-home.bsh-group.com

Accessoires	Référence
Filtre à charbon actif	LA10LKA6

7 Utilisation

7.1 Allumer l'appareil

- ▶ Appuyer sur 1.
- ✓ L'appareil démarre à la vitesse de ventilation 1.

7.2 Régler la vitesse de ventilation

- ▶ Appuyez sur la touche 2 ou 3 pour régler la vitesse appropriée du ventilateur.

7.3 Éteindre l'appareil

- ▶ Appuyer à nouveau sur la touche de la vitesse de ventilation réglée.

7.4 Activer la poursuite du ventilateur

En mode de poursuite du ventilateur, l'appareil continue à fonctionner pendant un certain temps, puis s'éteint automatiquement.

- ▶ Maintenir 1, 2 ou 3 appuyé.
- ✓ L'appareil s'éteint automatiquement après env. 15 minutes.

7.5 Désactiver la poursuite du ventilateur

- ▶ Appuyer sur 1, 2 ou sur 3.
- ✓ La poursuite du ventilateur s'arrête avant écoulement du temps de poursuite restant.
- ✓ La ventilation continue à la vitesse réglée et ne s'éteint pas automatiquement.

7.6 Allumer l'éclairage

Vous pouvez allumer et éteindre l'éclairage indépendamment de la ventilation.

- ▶ Appuyer sur

7.7 Éteindre l'éclairage

- ▶ Appuyer sur

8 Nettoyage et entretien

Pour que votre appareil reste longtemps opérationnel, nettoyez-le et entretenez-le avec soin.

8.1 Produits de nettoyage

Vous pouvez vous procurer les produits de nettoyage appropriés auprès du service après-vente ou sur la boutique en ligne.

ATTENTION !

Des produits nettoyants inappropriés peuvent endommager les surfaces de l'appareil.

- ▶ Ne pas utiliser de produits de nettoyage agressifs ou récurants.
- ▶ N'utilisez pas de nettoyants fortement alcoolisés.
- ▶ Ne pas utiliser de tampon en paille métallique ni d'éponge à dos récurant.

- ▶ Utilisez uniquement des nettoyants pour vitres, des racloirs à verre ou des produits d'entretien pour acier inox si ceux-ci sont recommandés dans les instructions de nettoyage de la pièce correspondante.
- ▶ Rincez soigneusement les tissus et éponges avant de les utiliser.

8.2 Nettoyer l'appareil

Nettoyez l'appareil comme indiqué, afin de ne pas endommager les différentes surfaces et pièces par un nettoyage incorrect ou par des produits de nettoyage non appropriés.

⚠ AVERTISSEMENT – Risque d'explosion !

Les nettoyants caustiques fortement alcalins ou acides peuvent provoquer des explosions lorsqu'ils entrent en contact avec des pièces d'aluminium situées dans le compartiment de nettoyage du lave-vaisselle.

- ▶ N'utilisez jamais de nettoyants caustiques fortement alcalins ou acides. Notamment, n'utilisez aucun produit de nettoyage d'origine commerciale ou industrielle pour nettoyer des pièces en aluminium, par exemple des filtres à graisse pour hottes aspirantes.

⚠ AVERTISSEMENT – Risque d'électrocution !

L'infiltration d'humidité peut occasionner un choc électrique.

- ▶ Avant le nettoyage, retirez la fiche secteur ou coupez le disjoncteur.
- ▶ Ne pas utiliser de nettoyeur vapeur ou haute pression pour nettoyer l'appareil.

⚠ AVERTISSEMENT – Risque de brûlures !

L'appareil devient chaud pendant son utilisation.

- ▶ Laissez refroidir l'appareil avant de le nettoyer.

⚠ AVERTISSEMENT – Risque de blessure !

Certaines pièces à l'intérieur de l'appareil peuvent présenter des arêtes vives.

- ▶ Nettoyez l'intérieur de l'appareil avec précaution.

1. Respectez les informations sur les produits de nettoyage.
2. Selon la surface, nettoyez comme suit :
 - Nettoyez les surfaces en acier inoxydable avec une lavette éponge et de l'eau chaude additionnée de produit de nettoyage dans le sens du brossage.
 - Nettoyez les surfaces laquées avec une lavette éponge et de l'eau chaude additionnée de produit de nettoyage.
 - Nettoyez l'aluminium avec un nettoyant pour vitres et un chiffon doux.
 - Nettoyez le plastique avec un nettoyant pour vitres et un chiffon doux.
 - Nettoyez le verre avec un nettoyant pour vitres et un chiffon doux.
3. Séchez-les ensuite avec un chiffon doux.
4. Sur les surfaces en acier inoxydable, appliquez une fine pellicule de produit pour acier inox avec un chiffon doux.
Vous pouvez vous procurer les produits d'entretien pour acier inox auprès du service après-vente ou sur la boutique en ligne.

8.3 Nettoyage des éléments de commande

⚠ AVERTISSEMENT – Risque d'électrocution !

L'infiltration d'humidité peut occasionner un choc électrique.

- ▶ N'utilisez pas de tissu éponge mouillé.
1. Respectez les informations sur les produits de nettoyage.
 2. Nettoyez avec un tissu éponge et de l'eau chaude additionnée de produit à vaisselle.
 3. Séchez-les ensuite avec un chiffon doux.

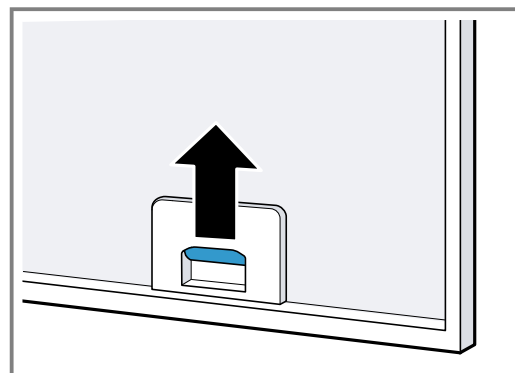
8.4 Démontage des filtres à graisse métallique

1. ATTENTION !

Les filtres à graisse qui tombent peuvent endommager la table de cuisson qui se trouve en-dessous.

- ▶ Avec une main sous le filtre à graisse, interceptez ce dernier.

Ouvrir les dispositifs de verrouillage des filtres à graisse.



2. Retirez les filtres à graisse des fixations. Pour éviter l'égouttement de graisse, tenez les filtres à graisse à l'horizontale.

8.5 Nettoyage manuel des filtres à graisse

Les filtres à graisse filtrent la graisse issue de la vapeur de cuisson. Des filtres à graisse régulièrement nettoyés assurent un haut niveau d'absorption des graisses. Nous vous recommandons de nettoyer les filtres à graisse tous les 2 mois.

⚠ AVERTISSEMENT – Risque d'incendie !

Les dépôts de graisse dans les filtres à graisse peuvent s'enflammer.

- ▶ Nettoyez régulièrement le filtre à graisse.

Condition : Les filtres à graisse sont retirés.

→ "Démontage des filtres à graisse métallique",
Page 20

1. Respectez les informations sur les produits de nettoyage.
2. Faites tremper les filtres à graisse dans un produit de nettoyage chaud.
En présence de salissures tenaces, vous pouvez utiliser un dégraissant spécial. Vous trouverez un dégraissant auprès du service après-vente ou sur la boutique en ligne.
3. Nettoyez les filtres à graisse à l'aide d'une brosse.
4. Rincez-les soigneusement.
5. Laissez s'égoutter les filtres à graisse.

8.6 Nettoyage des filtres à graisse au lave-vaisselle

Les filtres à graisse filtrent la graisse issue de la vapeur de cuisson. Des filtres à graisse régulièrement nettoyés assurent un haut niveau d'absorption des graisses. Nous vous recommandons de nettoyer les filtres à graisse tous les 2 mois.

⚠ AVERTISSEMENT – Risque d'incendie !

Les dépôts de graisse dans les filtres à graisse peuvent s'enflammer.

- Nettoyez régulièrement le filtre à graisse.

ATTENTION !

Les filtres à graisse peuvent être endommagés par pincement.

- Ne coincez pas les filtres à graisse.

Remarque : Lorsque vous nettoyez un filtre à graisse au lave-vaisselle, de légères décolorations peuvent apparaître. Ces décolorations n'ont aucune influence sur le fonctionnement des filtres à graisse.

Condition : Les filtres à graisse sont retirés.

→ "Démontage des filtres à graisse métallique", Page 20

1. Respectez les informations sur les produits de nettoyage.
2. Placez les filtres à graisse en vrac dans le lave-vaisselle.
Ne nettoyez pas les filtres à graisse très encrassés avec de la vaisselle.
En présence de salissures tenaces, vous pouvez utiliser un dégraissant spécial. Vous trouverez un dégraissant auprès du service après-vente ou sur la boutique en ligne.
3. Démarrez le lave-vaisselle.
Pour le réglage de la température, choisissez 70 °C maximum.
4. Laissez s'égoutter les filtres à graisse.

8.7 Montage des filtres à graisse

ATTENTION !

Les filtres à graisse qui tombent peuvent endommager la table de cuisson qui se trouve en-dessous.

- Avec une main sous le filtre à graisse, interceptez ce dernier.
1. Insérez le filtre à graisse.
 2. Basculez les filtres à graisse vers le haut, puis encliquez les verrous.
 3. Assurez-vous que les verrous s'encliquettent.

8.8 Filtre anti-odeurs pour le mode recirculation de l'air

Les filtres anti-odeurs lient les odeurs en mode recirculation de l'air. Des filtres anti-odeurs régulièrement changés garantissent un haut degré de séparation des odeurs.

Le filtre anti-odeurs doit être remplacé tous les 3-5 mois en fonctionnement normal (environ une heure par jour). Le filtre anti-odeurs ne peut pas être nettoyé ni régénéré.

Le filtre anti-odeurs sont en vente auprès du Service après-vente ou sur la boutique en ligne. Utilisez uniquement un filtre anti-odeurs d'origine.

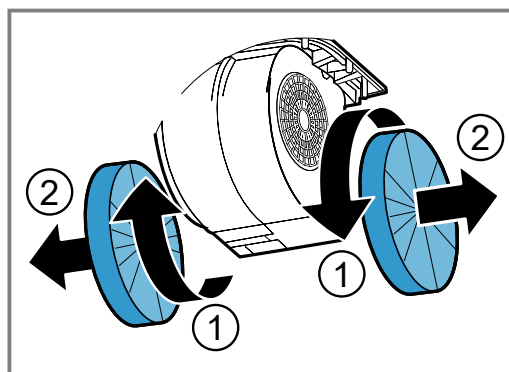
→ "Accessoires", Page 19

Dépose du filtre anti-odeurs

Condition : Les filtres à graisse sont retirés.

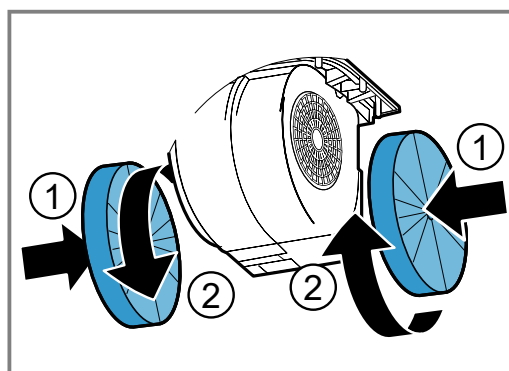
→ "Démontage des filtres à graisse métallique", Page 20

- Tourner les anciens filtres anti-odeurs ① et les retirer du support ②.



Pose des filtres anti-odeurs

1. Presser les nouveaux filtres anti-odeurs sur le support ① et les tourner ②.



2. Monter les filtre à graisse.
→ "Montage des filtres à graisse", Page 21

9 Dépannage

Vous pouvez corriger par vous-même les petits défauts de votre appareil. Lisez les renseignements de dépannage avant de contacter le service consommateurs. Vous vous épargnez ainsi des dépenses inutiles.

⚠ AVERTISSEMENT – Risque de blessure !

Les réparations non conformes sont dangereuses.

- Seul un personnel qualifié est en droit d'effectuer des réparations sur l'appareil.
- Si l'appareil est défectueux, appeler le service après-vente.

9.1 Dysfonctionnements

Défaut	Cause et dépannage
L'appareil ne fonctionne pas.	La fiche secteur du cordon d'alimentation secteur n'est pas branchée. ▶ Branchez l'appareil au réseau électrique.
	Le fusible est défectueux. ▶ Vérifiez le fusible dans le boîtier à fusibles.
	L'alimentation électrique est tombée en panne. ▶ Vérifiez si l'éclairage du compartiment ou d'autres appareils dans la pièce.
L'éclairage par LED ne fonctionne pas.	La lampe LED est défectueuse. ▶ → "Remplacer l'éclairage par LED", Page 22

9.2 Remplacer l'éclairage par LED

⚠ AVERTISSEMENT – Risque d'électrocution !

Lors du remplacement de l'ampoule, les contacts de la douille sont sous tension.

- ▶ Retirez la fiche secteur ou coupez le fusible dans le boîtier à fusibles avant de procéder au remplacement.

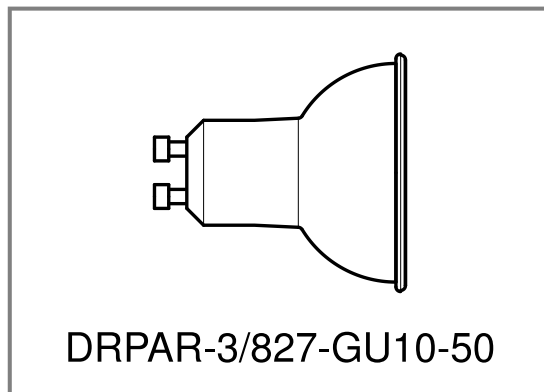
⚠ AVERTISSEMENT – Risque de blessure !

La lumière de l'éclairage par LED est très éblouissante et peut causer des dommages aux yeux (groupe de risque 1).

- ▶ Ne regardez pas directement l'éclairage par LED allumé pendant plus de 100 secondes.

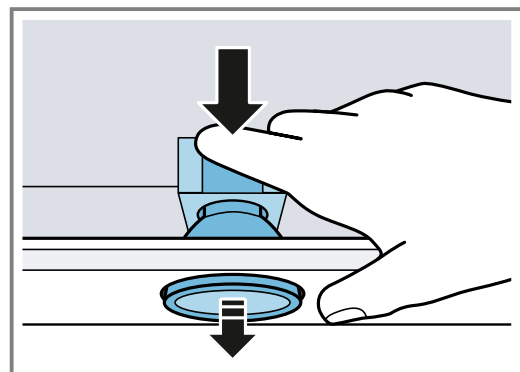
Remarque :

Utilisez uniquement des lampes du même type et de la même puissance.

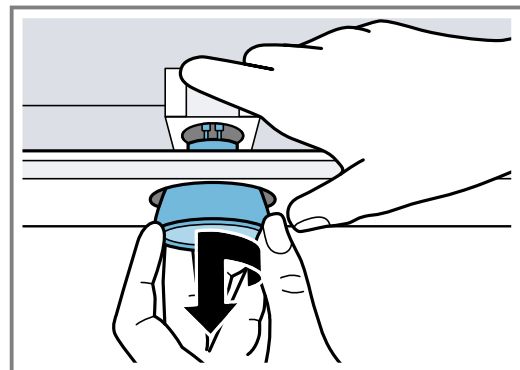


1. Mettez l'appareil hors tension.

2. Démontez les filtres à graisse.
→ "Démontage des filtres à graisse métallique", Page 20
3. Appuyez sur la lampe pour la sortir de l'appareil par l'arrière.



4. Tournez la lampe d'un quart de tour dans le sens anti-horaire et retirez-la.



5. Remplacez la lampe par une lampe du même type.
6. Montez les filtres à graisse.
7. Branchez la fiche secteur et enclenchez le fusible.

10 Mise au rebut

10.1 Mettre au rebut un appareil usagé

La destruction dans le respect de l'environnement permet de récupérer de précieuses matières premières.

- ▶ Éliminez l'appareil dans le respect de l'environnement.

Vous trouverez des informations sur les circuits actuels d'élimination auprès de votre revendeur spécialisé ou de l'administration de votre commune/ ville.



Cet appareil est marqué selon la directive européenne 2012/19/UE relative aux appareils électriques et électroniques usagés (waste electrical and electronic equipment - WEEE). La directive définit le cadre pour une reprise et une récupération des appareils usagés applicables dans les pays de la CE.

11 Service après-vente

Pour plus d'informations sur la durée et les conditions de la garantie dans votre pays, adressez-vous à notre service après-vente, à votre revendeur ou consultez notre site Web.

Lorsque vous contactez le service après-vente, vous avez besoin du numéro de produit (E-Nr.) et du numéro de fabrication (FD) de votre appareil.

Vous trouverez les données de contact du service après-vente dans la liste ci-jointe ou sur notre site Web.

11.1 Numéro de produit (E-Nr) et numéro de fabrication (FD)

Le numéro de série (E-Nr.) et le numéro de fabrication (FD) sont indiqués sur la plaque signalétique de l'appareil.

Selon le modèle, la plaque signalétique se trouve :

- à l'intérieur de l'appareil (retirer le filtre à graisse).
- sur la partie supérieure de l'appareil.

Pour retrouver rapidement les données de votre appareil et le numéro de téléphone du service consommateurs, n'hésitez pas à les recopier ailleurs.

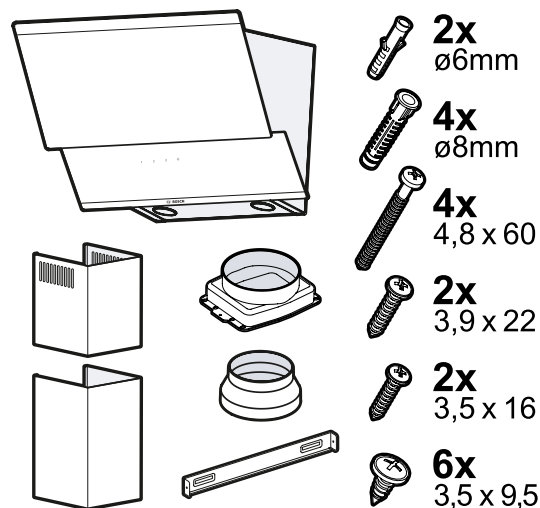
12 Instructions de montage

Respectez ces informations lors du montage de l'appareil.



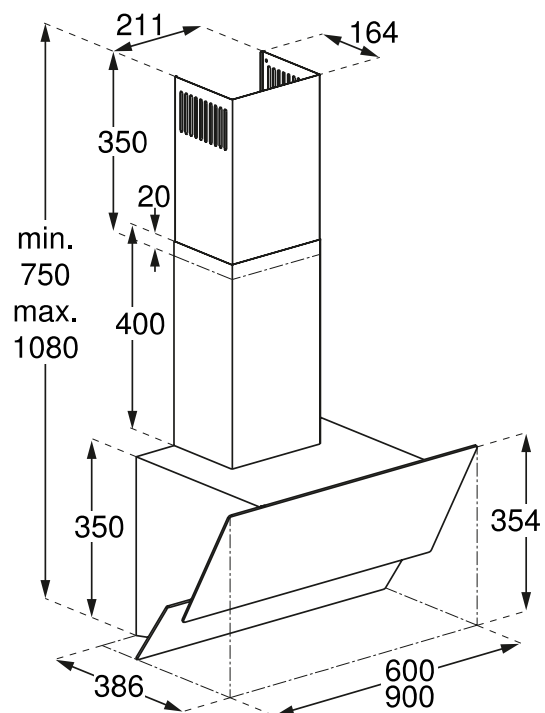
12.1 Contenu de la livraison

Après avoir déballé le produit, inspectez toutes les pièces pour détecter d'éventuels dégâts dus au transport et pour vous assurer de l'intégralité de la livraison.



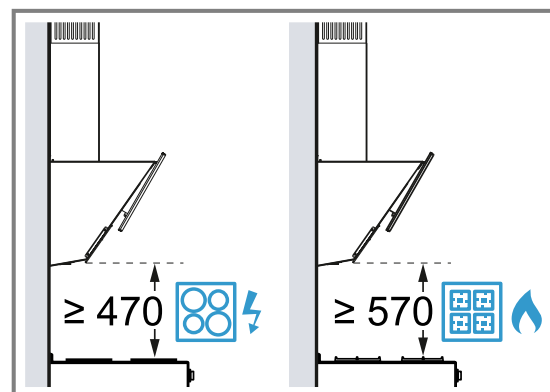
12.2 Dimensions de l'appareil

Vous trouverez ici les dimensions de l'appareil



12.3 Distances de sécurité

Respectez les distances de sécurité de l'appareil.

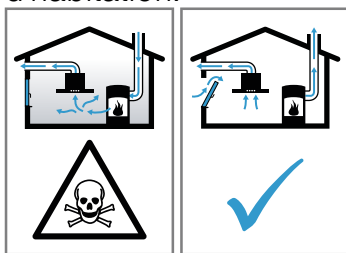


⚠ 12.4 Installation en toute sécurité

Respectez les consignes de sécurité lorsque vous installez cet appareil.

⚠ AVERTISSEMENT – Risque d'empoisonnement !

Les gaz de combustion réaspirés peuvent provoquer un empoisonnement. Les foyers à combustion alimentés en air ambiant (par exemple appareils de chauffage au gaz, au fioul, au bois ou au charbon, les chauffe-eaux intégrés sous cuve, les chauffe-eaux accumulateurs) prélèvent l'air de combustion dans la pièce où ils sont installés et rejettent les gaz de fumée à l'extérieur par le biais d'un système spécifique (par ex., cheminée). Lorsque la hotte aspirante est en marche, elle prélève de l'air dans la cuisine et dans les pièces voisines. L'absence d'un apport d'air suffisant crée une pression négative. Les gaz toxiques provenant de la cheminée ou du conduit d'évacuation sont réaspirés dans les pièces d'habitation.



- ▶ En cas d'utilisation simultanée de l'appareil en mode évacuation extérieure et d'un foyer à combustion alimenté en air ambiant, veillez impérativement à ce que l'apport d'air soit toujours suffisant.
- ▶ Le fonctionnement sûr de l'appareil n'est possible que si la dépression dans la pièce où est installé le foyer ne dépasse pas 4 Pa (0,04 mbar). Cette valeur n'est réalisable que si l'apport d'air frais nécessaire à la combustion est assuré par des ouvertures non obturables, par exemple dans des portes ou fenêtres, associées à un caisson mural d'entrée et de sortie d'air, ou bien par d'autres moyens techniques. Un caisson mural d'entrée et de sortie d'air ne suffit pas à assurer la valeur minimale nécessaire.
- ▶ Demandez toujours conseil à un maître ramoneur compétent qui pourra évaluer l'ensemble du réseau de ventilation de la maison et vous proposer le moyen le mieux adapté pour l'aération.

- ▶ Si l'appareil est utilisé exclusivement en mode recirculation de l'air, le fonctionnement est possible sans restriction.

Les gaz de combustion aspirés peuvent conduire à l'empoisonnement.

- ▶ Lorsqu'une hotte est installée avec un foyer exploitant l'air ambiant, l'alimentation électrique de la hotte doit être munie d'un interrupteur de sécurité approprié.

Les gaz de combustion réaspirés peuvent provoquer un empoisonnement.

- ▶ Ne rejetez pas l'air sortant dans un conduit ou une cheminée en fonctionnement.
- ▶ Ne rejetez pas l'air sortant dans une gaine servant à aérer des locaux où sont installés des foyers à combustion.
- ▶ Si l'air sortant circule par un conduit ou une cheminée d'évacuation des gaz, vous devez d'abord obtenir l'accord d'un ramoneur compétent.

⚠ AVERTISSEMENT – Risque d'asphyxie !

Les enfants risquent de s'envelopper dans les matériaux d'emballage ou de les mettre sur la tête et de s'étouffer.

- ▶ Conserver les matériaux d'emballage hors de portée des enfants.
- ▶ Ne jamais laisser les enfants jouer avec les emballages.

⚠ AVERTISSEMENT – Risque d'incendie !

Les dépôts de graisse dans le filtre à graisse peuvent s'enflammer.

- ▶ Ne travaillez jamais avec une flamme nue à proximité de l'appareil (par ex. ne faites rien flamber).
- ▶ Installez l'appareil à proximité d'un foyer à combustibles solides (par ex. bois ou charbon) uniquement en présence d'un capot fermé et non amovible. Il ne doit pas y avoir de projection d'étincelles.
- ▶ Les distances de sécurité indiquées doivent être respectées, afin d'éviter une accumulation de chaleur.
- ▶ Respectez les indications relatives à vos appareils de cuisson. Si les instructions d'installation de l'appareil de cuisson spécifient une distance différente, tenir toujours compte de la plus grande distance. L'écart maximal s'applique si vous utilisez simultanément des foyers au gaz et à l'électricité.

⚠ AVERTISSEMENT – Risque de blessure !

Des pièces à l'intérieur de l'appareil peuvent présenter des arêtes vives.

- ▶ Portez des gants de protection.
- Si l'appareil n'est pas correctement fixé, il risque de tomber.
- ▶ Tous les éléments de fixation doivent être montés solidement et de façon sûre.
- Risque de blessures dues à des éclats de verre.
- ▶ Protégez le capot du filtre contre les chocs.
 - ▶ Ne faites pas tomber le capot du filtre.
 - ▶ Portez des lunettes de protection lors du montage.

L'appareil est lourd.

- ▶ 2 personnes sont nécessaires pour déplacer l'appareil.
- ▶ Utilisez exclusivement des moyens appropriés.

L'appareil est lourd.

- ▶ L'appareil ne doit pas être directement monté dans les placoplâtres ou autres matières légères similaires.
- ▶ Pour garantir un montage correct, utilisez un matériau suffisamment stable et adapté à la situation de construction et au poids de l'appareil.

Des modifications sur la construction électrique ou mécanique sont dangereuses et peuvent conduire à des dysfonctionnements.

- ▶ N'effectuez aucune modification sur la construction électrique ou mécanique.
- Risque de blessure lors de l'ouverture et de la fermeture de la charnière.
- ▶ Ne posez jamais les doigts dans la zone mobile de la charnière.

⚠ AVERTISSEMENT – Risque d'électrocution !

Les composants à arêtes vives à l'intérieur de l'appareil peuvent endommager le câble de raccordement.

- ▶ Ne pincez pas et ne coincez pas le câble de raccordement.

Les installations non conformes sont dangereuses.

- ▶ Pour le raccordement et l'utilisation de l'appareil, respectez impérativement les indications figurant sur la plaque signalétique.
- ▶ L'appareil doit être branché uniquement à une source d'alimentation avec courant al-

ternatif à l'aide d'une prise murale correctement installée et reliée à la terre.

- ▶ Le système à conducteur de protection de l'installation électrique de la maison doit être conforme.
- ▶ N'alimentez jamais l'appareil par l'intermédiaire d'un appareil de commutation externe, par ex. une minuterie ou une télécommande.
- ▶ Si l'appareil est encastré, la fiche du cordon d'alimentation secteur doit être aisément accessible. Si un accès libre est impossible, un dispositif de coupure omnipolaire doit être installé dans l'installation à câblage fixe, conformément aux conditions de la catégorie de surtension III et aux réglagements d'installation.
- ▶ Lors de l'installation de l'appareil, veiller à ce que le cordon d'alimentation secteur ne soit pas coincé ni endommagé.

12.5 Indications générales

Prenez en compte les remarques générales lors de l'installation.

- L'installation doit se faire en respectant les prescriptions actuellement en vigueur dans le bâtiment, ainsi que les prescriptions publiées par les compagnies distributrices d'électricité et de gaz.
- Lors de l'évacuation de l'air vicié, il convient de respecter les prescriptions officielles et légales, telles que celles établies par les autorités régionales.
- Pour atteindre l'appareil sans difficulté lors de l'entretien, choisissez un lieu d'installation facilement accessible.
- Les surfaces de l'appareil sont fragiles. Lors de l'installation, éviter de les endommager.

12.6 Remarques concernant le branchement électrique

Pour pouvoir connecter l'appareil électriquement en toute sécurité, respectez ces consignes.

⚠ AVERTISSEMENT – Risque d'électrocution !

À tout moment, il doit être possible de débrancher l'appareil du réseau électrique. L'appareil doit uniquement être raccordé à une prise de courant de sécurité installée de manière réglementaire.

- ▶ La prise du cordon d'alimentation secteur doit être librement accessible après le montage de l'appareil.
- ▶ Si cela n'est pas possible, un dispositif de coupure omnipolaire doit être installé dans l'installation électrique fixe conformément aux conditions de la catégorie de surtension III et aux prescriptions d'installation.
- ▶ Seul un électricien qualifié est autorisé à procéder à l'installation électrique fixe. Nous vous recommandons d'installer un disjoncteur différentiel (interrupteur FI) dans le circuit d'alimentation de l'appareil.

Les composants à arêtes vives à l'intérieur de l'appareil peuvent endommager le câble de raccordement.

- ▶ Ne pincez pas et ne coincez pas le câble de raccordement.
- Les valeurs de raccordement sont indiquées sur la plaque signalétique. → Page 23
- La ligne de raccordement fait env. 1,30 m de long.
- Cet appareil est conforme aux dispositions CE régissant l'antiparasitage.
- Cet appareil est conforme à la classe de protection 1. Par conséquent, utilisez uniquement cet appareil avec une prise à conducteur de protection.
- Ne branchez pas l'appareil à l'alimentation électrique pendant l'installation.
- Assurez-vous que la protection contre les contacts accidentels est garantie par l'installation.

12.7 Remarques concernant la situation d'encastrement

- Montez cet appareil sur le mur de la cuisine.
- Pour l'installation d'accessoires spéciaux supplémentaires, respectez les instructions d'installation jointes.
- La largeur de la hotte aspirante doit être au moins aussi grande que celle de la table de cuisson.
- Pour capter de façon optimale les vapeurs de cuisson, installez l'appareil au centre, au-dessus de la plaque de cuisson.

12.8 Remarques concernant le conduit d'évacuation

Le fabricant de l'appareil n'assume aucune garantie pour les problèmes de fonctionnement liés à la tuyauterie.

- Utiliser un conduit d'évacuation court et droit avec un diamètre de conduit aussi grand que possible.
- Des conduits d'évacuation longs et rugueux, comportant plusieurs coudes ou ayant des diamètres trop petits réduisent la puissance d'aspiration et augmentent le bruit du ventilateur.
- Utiliser un conduit d'évacuation en matériau non inflammable.
- Pour éviter tout retour de condensat, montez le conduit d'évacuation de l'appareil avec 1° de pente.

Gaines plates

Utilisez des gaines plates dont la section intérieure correspond au diamètre des conduits ronds :

- Un diamètre de 150 mm correspond env. à 177 cm².
- Un diamètre de 120 mm correspond env. à 113 cm².
- Si des conduits de plusieurs diamètres sont utilisés, il faut prévoir des rubans d'étanchéité.
- N'utilisez pas de gaines plates avec des déviations aiguës.

Conduits ronds

Utilisez des conduits ronds avec un diamètre intérieur de 150 mm (recommandé) ou d'au moins 120 mm.

12.9 Remarques sur le mode évacuation extérieure

En mode évacuation extérieure, un clapet anti-retour doit être installé.

Remarques

- Si aucun clapet anti-retour n'est fourni avec l'appareil, vous pouvez en obtenir un dans un commerce spécialisé.
- Si l'air sortant traverse la paroi extérieure, il convient d'utiliser un caisson télescopique mural.

12.10 Remarques sur le mode recirculation de l'air

L'appareil doit uniquement être exploité à l'état fermement fixé et avec la tuyauterie raccordée.

12.11 Installation

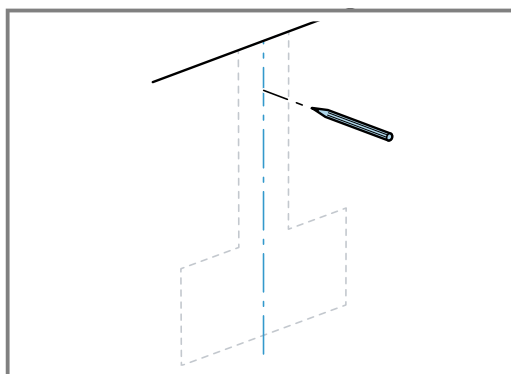
Vérification du mur

1. Vérifiez que le mur est vertical et qu'il a une capacité de charge suffisante.
Le poids maximal de l'appareil est de 16 kg.
2. La profondeur des trous percés doit correspondre à la longueur des vis.
Les chevilles doivent être solidement ancrées.
Les vis et chevilles fournies conviennent pour fixer l'appareil sur les murs massifs, en béton cellulaire ou en briques « Poroton ».

Remarque : Lors du perçage de trous, vérifiez la stabilité du mur avant de fixer l'appareil au mur. Si la stabilité est insuffisante, l'appareil ne peut pas être fixé.

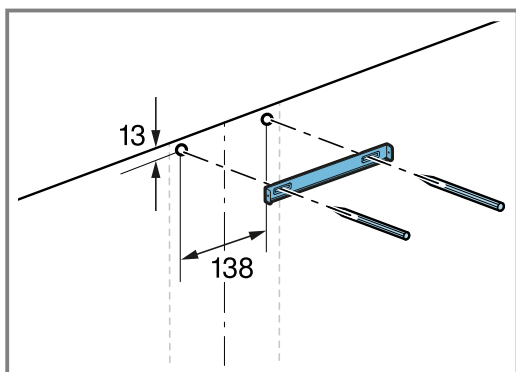
Préparation du mur

1. Assurez-vous qu'aucune conduite électrique, de gaz ou d'eau ne se trouve au niveau des perçages.
2. Couvrez la table de cuisson afin d'éviter tout endommagement.
3. Du plafond au bord inférieur de l'appareil, tracer une ligne médiane verticale sur le mur.

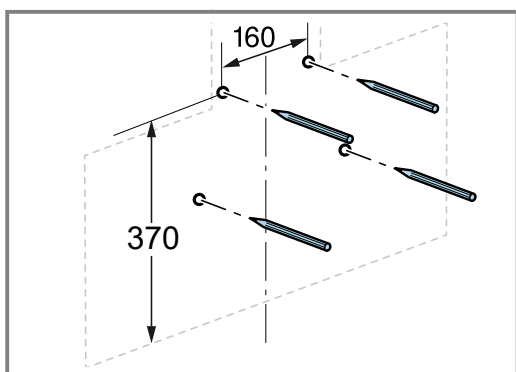


4. Placer les cornières de retenue de façon centrée sur la ligne médiane.
Le milieu des cornières de retenue est repéré par une encoche.
5. Aligner les cornières de retenue à l'horizontale.

6. Marquer les emplacements de perçage pour les cornières de retenue de la cheminée.



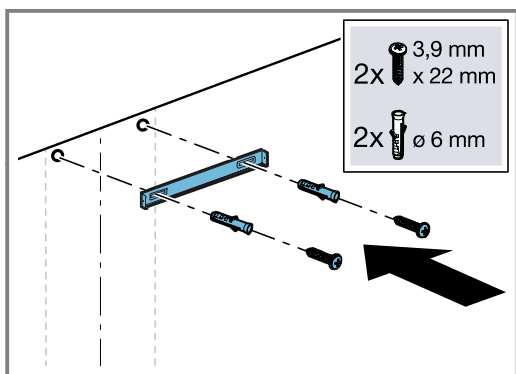
7. Marquer les perçages pour les éléments d'accrochage de l'appareil.



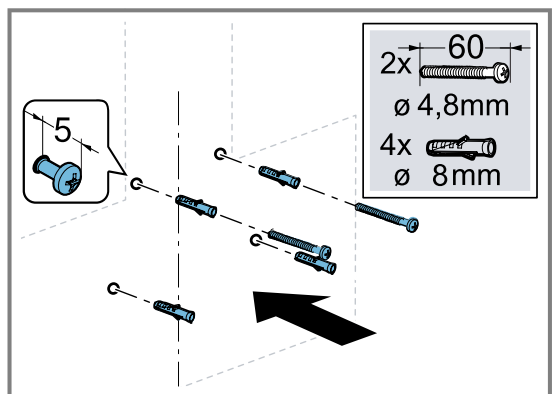
8. Percer les trous.

9. Placez les chevilles à fleur du mur.

10. Visser la cornière de retenue du capot de cheminée.

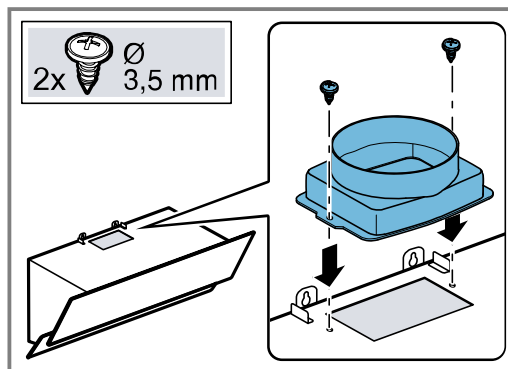


11. Visser les vis pour les éléments d'accrochage de l'appareil, sans toutefois les visser à fond.



Préparer l'appareil

- Retirez le filtre à graisse.
Ne pliez pas le filtre à graisse, afin d'éviter tout endommagement.
- Fixer le manchon d'évacuation à l'appareil.



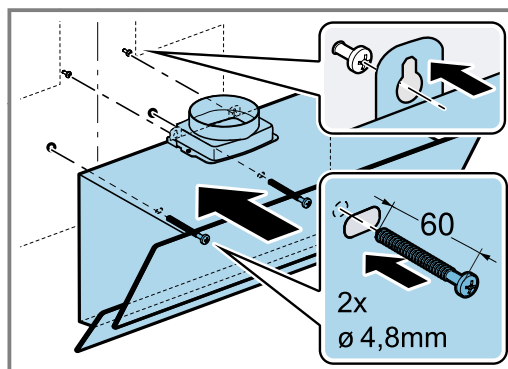
Monter l'appareil

⚠ AVERTISSEMENT – Risque de blessure !

Des pièces à l'intérieur de l'appareil peuvent présenter des arêtes vives.

► Portez des gants de protection.

- Retirer le film protecteur à l'arrière.
– Après l'installation, retirer complètement le film protecteur.
- Accrocher l'appareil.



- Aligner l'appareil à l'horizontale à l'aide des vis.
- Insérez le filtre à graisse.
Ne pliez pas le filtre à graisse afin d'éviter tout endommagement.

Réaliser le raccordement de l'évacuation de l'air (conduit d'évacuation de Ø 150 mm)

- Fixez le tuyau d'évacuation au manchon d'évacuation.
- Réalisez la jonction vers l'orifice d'évacuation d'air.
- Étanchez les zones de jonction.

Réaliser le raccordement de l'évacuation de l'air (conduit d'évacuation de Ø 120 mm)

- Fixez le manchon réducteur contre le manchon d'évacuation.
- Fixez le tuyau d'évacuation au manchon d'évacuation.
- Réalisez la jonction vers l'orifice d'évacuation d'air.
- Étanchez les zones de jonction.

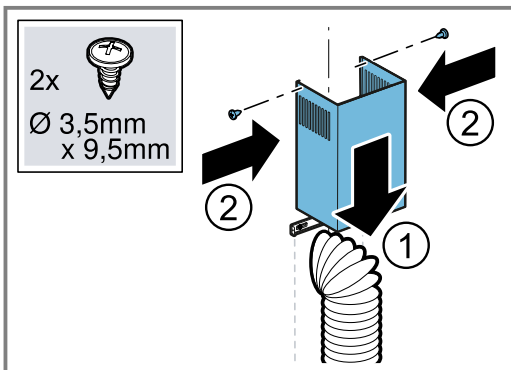
Montage du capot de cheminée

⚠ AVERTISSEMENT – Risque de blessure !

Des pièces à l'intérieur de l'appareil peuvent présenter des arêtes vives.

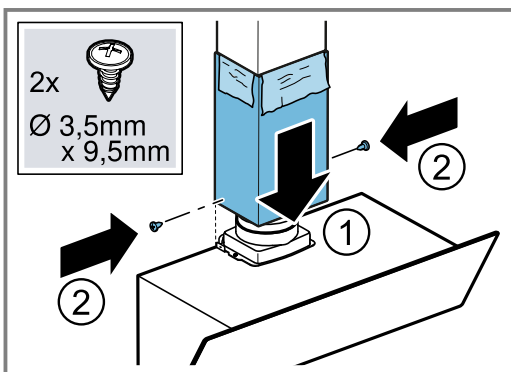
► Portez des gants de protection.

1. Retirez les pellicules protectrices recouvrant les deux capots de cheminée.
2. Monter le capot de cheminée supérieur.
 - Écarter légèrement les deux tôles latérales et les accrocher à gauche et à droite à la cornière de retenue. ①
 - Visser le capot de cheminée supérieur latéralement sur les deux cornières de retenue. ②



En cas de fonctionnement en mode Évacuation extérieure, monter le capot de cheminée, les fentes orientées vers le bas.

3. Monter le capot de cheminée inférieur.
 - Écarter légèrement les deux tôles latérales, les accrocher derrière le capot de cheminée supérieur et les presser jusqu'en butée. ①
 - Poser les capots de cheminée sur l'appareil et les visser latéralement sur la cornière de retenue. ②



Pour éviter des rayures, poser du papier, à titre de protection, sur les bords du capot inférieur.

Démonter l'appareil

1. Retirez le capot de cheminée.
2. Débranchez l'appareil du réseau électrique.
3. Retirez le conduit d'évacuation.
4. Retirez le filtre à graisse.
Ne pliez pas le filtre à graisse, afin d'éviter tout endommagement.
5. Dévisser légèrement, mais pas complètement, les vis pour les éléments d'accrochage de l'appareil.
6. Retirez l'appareil.
7. Desserrez la cornière de retenue du capot de cheminée.

EN Manufactured by BSH Hausgeräte GmbH under the trademark licence of Siemens AG
FR Fabriqué par BSH Hausgeräte GmbH sous la licence de marque de Siemens AG

Valid within Great Britain:
Imported to Great Britain by
BSH Home Appliances Ltd.
Grand Union House
Old Wolverton Road
Wolverton, Milton Keynes
MK12 5PT
United Kingdom

BSH Hausgeräte GmbH
Carl-Wery-Straße 34
81739 München, GERMANY
siemens-home.bsh-group.com



9001703063 (040318)

en, fr