

SIEMENS

KF96R...

Fridge-freezer combination



EN Information for Use



Siemens Home Appliances

Register your appliance on My Siemens and
discover exclusive services and offers.



**You can find additional information and explanations online.
Scan the QR code on the title page.**



Table of contents

1 Safety	3	6.6 Flat frozen food container	17
1.1 Definition of the signal words	3	6.7 Frozen food pull-out container	17
1.2 General information	4	6.8 Suspended frozen food container	18
1.3 Intended use	4	6.9 Butter and cheese compartment	18
1.4 Restriction on user group	4	6.10 Door tray	18
1.5 Safe transport	4	6.11 Ice cube maker	18
1.6 Safe installation	5	6.12 Accessories	18
1.7 Safe use	6	7 Basic operation	19
1.8 Damaged appliance	8	7.1 Switching on the appliance	19
2 Preventing material damage	9	7.2 Operating tips	19
3 Environmental protection and saving energy	9	7.3 Switching off the appliance	19
3.1 Disposing of packaging	9	7.4 Setting the temperature	19
3.2 Saving energy	9	7.5 Bottle storage compartment storage setting	19
4 Installation and connection	10	7.6 Keylock	20
4.1 Scope of delivery	10	8 Additional functions	20
4.2 Criteria for the installation location	10	8.1 Super cooling	20
4.3 Installing the appliance	11	8.2 Super freezing	20
4.4 Preparing the appliance for the first time	11	8.3 Holiday mode	20
4.5 Connecting the appliance to the electricity supply	11	8.4 Energy-saving mode	21
5 Familiarising yourself with your appliance	12	8.5 Freshness mode	21
5.1 Appliance	12	8.6 Interior lighting	21
5.2 Control panel	13	8.7 Exterior lighting	21
5.3 Control panel (submenu)	15	9 Alarm	22
5.4 Control panel (bottle storage compartment)	16	9.1 Door alarm	22
6 Features	16	9.2 Temperature alarm	23
6.1 Shelf	16	10 Home Connect	23
6.2 Extendable bottle shelf	17	10.1 Setting up Home Connect	24
6.3 Bottle shelf	17	10.2 Installing updates for the Home Connect software	24
6.4 Pull-out container	17	10.3 Resetting Home Connect settings	24
6.5 Container divider	17	10.4 Remote diagnostics	25
		10.5 Data protection	25

11 Refrigerator compartment	25	15 Cleaning and servicing	28
11.1 Tips for storing food in the refrigerator compartment	25	15.1 Preparing the appliance for cleaning	28
11.2 Chill zones in the refrigerator compartment	26	15.2 Cleaning the appliance	28
12 Bottle storage compartment ..	26	15.3 Removing the fittings	29
12.1 Arranging the maximum number of bottles	26	15.4 Removing appliance components	31
13 Freezer compartment	26	16 Troubleshooting	33
13.1 Freezing capacity	27	16.1 Power failure	36
13.2 Fully utilising the freezer compartment volume	27	16.2 Conducting an appliance self-test	36
13.3 Tips for storing food in the freezer compartment	27	17 Storage and disposal	36
13.4 Tips for freezing fresh food ...	27	17.1 Taking the appliance out of operation	36
13.5 Shelf life of frozen food at -18 °C	27	17.2 Disposing of old appliance ...	37
13.6 Defrosting methods for frozen food	28	18 Customer Service	37
14 Defrosting	28	18.1 Product number (E-Nr.) and production number (FD)	38
14.1 Defrosting in the refrigerator compartment	28	19 Technical data	38
14.2 Defrosting in the bottle storage compartment	28	19.1 Information regarding free and open source software ...	38
14.3 Defrosting in the freezer compartment	28	20 Declaration of Conformity	39
		20.1 Statement of Compliance for Great Britain	39



1 Safety

Observe the following safety instructions.

1.1 Definition of the signal words

This is where you can find explanations for the safety signal words used in this manual.

WARNING

This indicates that death or serious injuries may occur as a result of non-observance of this warning.

CAUTION

This indicates that minor or moderate injuries may occur as a result of non-observance of this warning.

ATTENTION

This indicates that damage to the appliance or other material damage may occur as a result of non-compliance with this warning.

Note: This alerts you to important information.

1.2 General information

- Read this instruction manual carefully.
- Keep the instruction manual and the product information safe for future reference or for the next owner.
- Do not connect the appliance if it has been damaged in transit.

1.3 Intended use

Only use this appliance:

- for chilling and freezing food and for making ice cubes.
- in private households and in enclosed spaces in a domestic environment.
- Up to an altitude of 2000 m above sea level.

1.4 Restriction on user group

This appliance may be used by children aged 8 or over and by people who have reduced physical, sensory or mental abilities or inadequate experience and/or knowledge, provided that they are supervised or have been instructed on how to use the appliance safely and have understood the resulting dangers.

Do not let children play with the appliance.

Cleaning and user maintenance must not be performed by children unless they are being supervised.

Children above the age of three years old and younger than eight years old may load and unload the refrigerating appliance.

1.5 Safe transport

⚠ WARNING – Risk of injury!

The heavy weight of the appliance may result in injury when lifted.

- ▶ Do not lift the appliance on your own.

1.6 Safe installation

⚠ WARNING – Risk of electric shock!

Incorrect installation is dangerous.

- ▶ Connect and operate the appliance only in accordance with the specifications on the rating plate.
- ▶ Connect the appliance to a power supply with alternating current only via a properly installed socket with earthing.
- ▶ The protective conductor system of the domestic electrical installation must be properly installed.
- ▶ Never equip the appliance with an external switching device, e.g. a timer or remote control.
- ▶ When the appliance is installed, the mains plug of the power cord must be freely accessible. If free access is not possible, an isolating switch must be integrated into the permanent electrical installation according to the installation regulations.
- ▶ When installing the appliance, check that the power cable is not trapped or damaged.

If the insulation of the power cord is damaged, this is dangerous.

- ▶ Never let the power cord come into contact with heat sources.

⚠ WARNING – Risk of explosion!

If the appliance's ventilation openings are closed off, a leak in the refrigeration circuit may result in a flammable mixture of gas and air.

- ▶ Keep ventilation openings in the appliance casing or in the integrated casing clear of obstruction.

⚠ WARNING – Risk of fire!

It is dangerous to use an extended power cord and non-approved adapters.

- ▶ Do not use extension cables or multiple socket strips.
- ▶ Only use adapters and power cords approved by the manufacturer.
- ▶ If the power cord is too short and a longer one is not available, please contact an electrician to have the domestic installation adapted.

Portable multiple socket strips or portable power supply units may overheat and cause a fire.

- ▶ Do not place portable multiple socket strips or power supply units on the back of the appliance.

⚠ CAUTION – Risk of cutting!

The glass front of the bottle storage compartment may break at higher altitudes due to the change in air pressure.

- ▶ Never install the appliance above a height of 2000 m above sea level.

1.7 Safe use

⚠ WARNING – Risk of electric shock!

An ingress of moisture can cause an electric shock.

- ▶ Only use the appliance in enclosed spaces.
- ▶ Never expose the appliance to intense heat or humidity.
- ▶ Do not use steam- or high-pressure cleaners to clean the appliance.

⚠ WARNING – Risk of suffocation!

Children may put packaging material over their heads or wrap themselves up in it and suffocate.

- ▶ Keep packaging material away from children.
- ▶ Do not let children play with packaging material.

Children may breathe in or swallow small parts, causing them to suffocate.

- ▶ Keep small parts away from children.
- ▶ Do not let children play with small parts.

⚠ WARNING – Risk of explosion!

If the cooling circuit is damaged, flammable refrigerant may escape and explode.

- ▶ To accelerate the defrosting process, do not use any other mechanical devices or means other than those recommended by the manufacturer.
- ▶ If food is stuck to the freezer compartment, loosen it with a blunt object such as the handle of a wooden spoon.

Products which contain flammable propellants and explosive substances may explode, e.g. spray cans.

- ▶ Do not store products which contain flammable propellants (e.g. spray cans) or explosive substances in the appliance.

⚠ WARNING – Risk of fire!

Electrical devices within the appliance may cause a fire, e.g. heaters or electric ice makers.

- ▶ Do not operate electrical devices within the appliance.

⚠ WARNING – Risk of injury!

Containers that contain carbonated drinks may burst.

- ▶ Do not store containers that contain carbonated drinks in the freezer compartment.

Injury to the eyes caused by escaping flammable refrigerant and hazardous gases.

- ▶ Do not damage the tubes of the refrigerant circuit or the insulation.

The appliance may tip.

- ▶ Do not stand or support yourself on the base, runners or doors.

⚠ WARNING – Risk of cold burns!

Contact with frozen food and cold surfaces may cause burns by refrigeration.

- ▶ Never put frozen food straight from the freezer compartment into your mouth.
- ▶ Avoid prolonged contact of the skin with frozen food, ice and surfaces in the freezer compartment.

⚠ CAUTION – Risk of harm to health!

To prevent food from being contaminated, you must observe the following instructions.

- ▶ If the door is open for an extended period of time, this may lead to a considerable temperature increase in the compartments of the appliance.
- ▶ Regularly clean the surfaces that may come into contact with food and accessible drain systems.
- ▶ Store raw meat and fish in suitable containers in the refrigerating appliance so that they do not touch or drip on other food.

- ▶ If the fridge/freezer is empty for an extended period of time, switch off the appliance, defrost it, clean it and leave the door open to prevent the formation of mould.

Metal or metal-style parts in the appliance may contain aluminium. If acidic food comes into contact with aluminium in the appliance, aluminium foil ions may pass into the food.

- ▶ Do not consume soiled food.

1.8 Damaged appliance

WARNING – Risk of electric shock!

If the appliance or the power cord is damaged, this is dangerous.

- ▶ Never operate a damaged appliance.
- ▶ Never pull on the power cord to unplug the appliance. Always unplug the appliance at the mains.
- ▶ If the appliance or the power cord is damaged, immediately unplug the power cord or switch off the fuse in the fuse box.
- ▶ Call customer service. → *Page 37*

Improper repairs are dangerous.

- ▶ Repairs to the appliance should only be carried out by trained specialist staff.
- ▶ Only use genuine spare parts when repairing the appliance.
- ▶ If the power cord or the appliance power cable of this appliance is damaged, it must be replaced with a special power cord or special appliance power cable, which is available from the manufacturer or its Customer Service.

WARNING – Risk of fire!



If the tubes are damaged, flammable refrigerant and harmful gases may escape and ignite.

- ▶ Keep naked flames and ignition sources away from the appliance.
- ▶ Ventilate the room.
- ▶ Switch off the appliance. → *Page 19*
- ▶ Unplug the mains plug from the mains or switch off the circuit breaker in the fuse box.
- ▶ Call customer service. → *Page 37*

2 Preventing material damage

ATTENTION

The high weight of the appliance or, if not rolling freely, the appliance's castors may damage the floor when the appliance is moved.

- ▶ Transport the appliance using a sack truck.
- ▶ Use floor protection when moving the appliance, and do not move it in a zigzag fashion.

When the appliance door is closed, an open door pillar may damage the appliance.

- ▶ Never open the door pillar manually.
- ▶ If the door pillar has been opened, close it before closing the appliance door.

Using the appliance, base, runners or doors as a seat or climbing surface may damage the appliance.

- ▶ Do not stand or lean on the appliance, base, runners or doors.

Contamination with oil or fat may cause plastic parts and door seals to become porous.

- ▶ Keep plastic parts and door seals free of oil and grease.

Metal or metal-style parts in the appliance may contain aluminium. When aluminium comes into contact with acidic foods, it corrodes and discolours.

- ▶ Only store packaged food in the appliance.

If you clean fittings and accessories in the dishwasher, this may cause them to become deformed or discoloured.

- ▶ Never clean fittings and accessory in the dishwasher.

3 Environmental protection and saving energy

3.1 Disposing of packaging

The packaging materials are environmentally compatible and can be recycled.

- ▶ Sort the individual components by type and dispose of them separately.

3.2 Saving energy

If you follow these instructions, your appliance will use less power.

Selecting the installation location

- Keep the appliance out of direct sunlight.
- Install the appliance as far away as possible from heating elements, cookers and other heat sources:
 - Maintain a 30 mm clearance to electric or gas cookers.
 - Maintain a 300 mm clearance to oil or solid-fuel cookers.
- Never cover or block the external ventilation openings.

Saving energy during use

Note: The arrangement of the fittings does not affect the energy consumption of the appliance.

- Open the appliance only briefly and then close it carefully.
- Never cover or block the interior ventilation openings or the exterior ventilation openings.
- Transport purchased food in a cool bag and place in the appliance quickly.
- Allow warm food and drinks to cool down before storing them.
- Thaw frozen food in the refrigerator compartment to utilise the low temperature of the food.

en Installation and connection

- Always leave some space between the food and to the back panel.
- Vacuum the external ventilation grilles when they are dusty.

Control panel energy-saving mode

If the appliance is not being used, the control panel automatically switches to control panel energy-saving mode.

In control panel energy-saving mode, the control panel brightness is reduced and "activate" lights up. Control panel energy-saving mode is deactivated as soon as you operate the control panel or open the door.

4 Installation and connection

4.1 Scope of delivery

After unpacking all parts, check for any transport damage and for completeness of delivery.

If you have any complaints, contact your dealer or our after-sales service → *Page 37*.

The delivery consists of the following:

- Free-standing appliance
- Equipment and accessories ¹
- Installation material
- Installation instructions
- User manual
- Customer service directory
- Warranty enclosure ²
- Energy label
- Information on energy consumption and noises
- Information about Home Connect

4.2 Criteria for the installation location

WARNING **Risk of explosion!**

If the appliance is in a space that is too small, a leak in the refrigeration circuit may result in a flammable mixture of gas and air.

- ▶ Only install the appliance in a space with a volume of at least 1 m³ per 8 g refrigerant. The volume of refrigerant is indicated on the rating plate.

→ "Appliance", Fig. **1/9**
Page 13

The weight of the appliance ex works may be up to 190 kg depending on the model.

The subfloor must be sufficiently stable to bear the weight of the appliance.

The surface must be level.

This refrigerator is intended for use at ambient temperatures of 10 °C to 43 °C.

The appliance is fully functional within the permitted room temperature.

If the appliance is operated at colder room temperatures, the appliance will not be damaged up to a room temperature of 5 °C.

Over-and-under and side-by-side installation

If you want to install 2 refrigerating appliances one over the other or side by side, you must maintain a clearance of at least 150 mm between the appliances. Selected appliances can be installed without a minimum clearance. Ask your dealer or kitchen planner about this.

¹ Depending on the appliance specifications

² Not in all countries

4.3 Installing the appliance

- ▶ Install the appliance in accordance with the enclosed installation instructions.

4.4 Preparing the appliance for the first time

1. Remove the informative material.
2. Remove the protective foil and transit bolts, e.g. remove the adhesive strips and carton.
3. Clean the appliance for the first time. → *Page 28*

4.5 Connecting the appliance to the electricity supply

1. Insert the appliance plug of the power cord into the appliance.
2. Insert the mains plug of the appliance's power cable in a socket nearby.

The connection data of the appliance can be found on the rating plate.

→ "Appliance", Fig. **1** / **9**

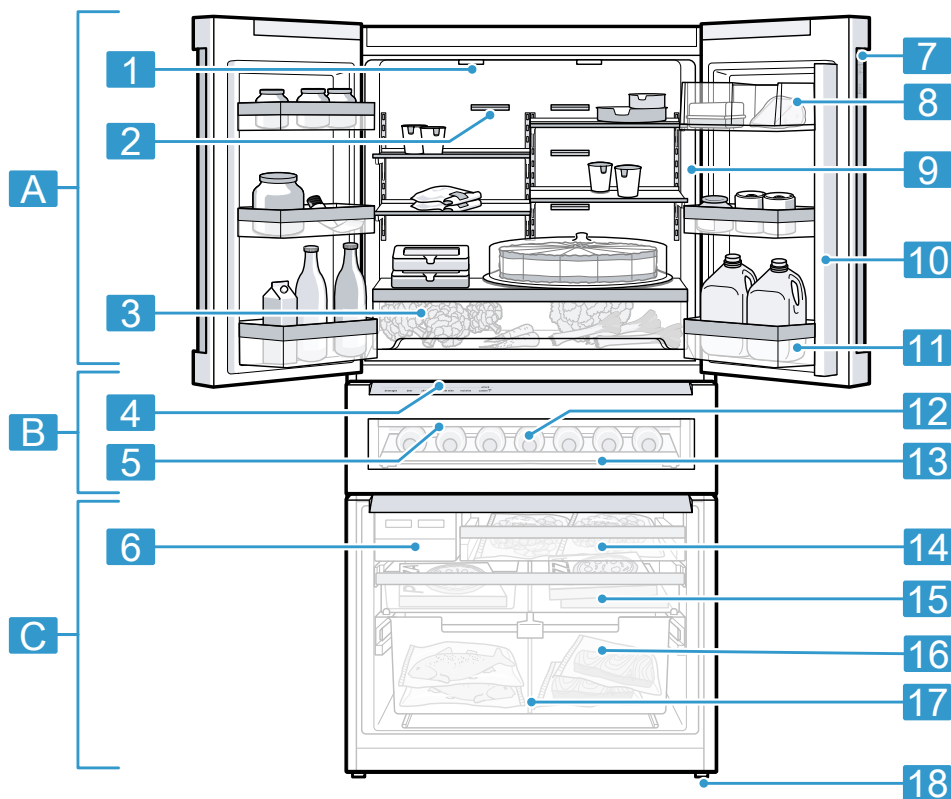
Page 13

3. Check the mains plug is inserted properly.
- ✓ The appliance is now ready for use.

5 Familiarising yourself with your appliance

5.1 Appliance

You can find an overview of the parts of your appliance here.



1

Deviations between your appliance and the diagrams may differ with regard to their features and size.

A Refrigerator compartment
→ Page 25

B Bottle storage compartment
→ Page 26

C Freezer compartment
→ Page 26

1 Interior lighting

2	Inner ventilation openings (refrigerator compartment)
3	Pull-out container → <i>Page 17</i>
4	Control panel (bottle storage compartment) → <i>Page 16</i>
5	Extendable bottle shelf → <i>Page 17</i>
6	Ice cube maker → <i>Page 18</i>
7	Control panel → <i>Page 13</i>
8	Butter and cheese compartment → <i>Page 18</i>
9	Rating plate → <i>Page 38</i>
10	Door pillar with condensation protection → <i>Page 9</i>

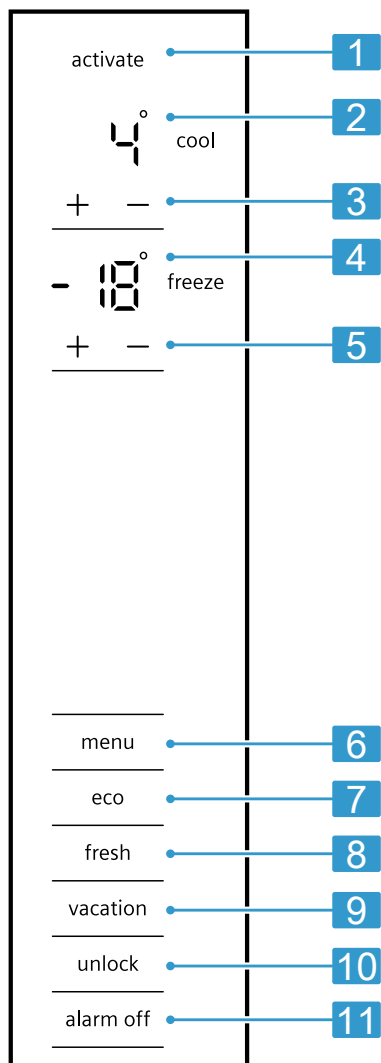
11	Door tray for large bottles → <i>Page 18</i>
12	Exterior lighting
13	Bottle shelf → <i>Page 17</i>
14	Frozen food pull-out container → <i>Page 17</i>
15	Flat frozen food container → <i>Page 17</i>
16	Suspended frozen food container → <i>Page 18</i>
17	Container divider → <i>Page 17</i>
18	Screw foot

5.2 Control panel

You can use the control panel to configure all functions of your appliance

en Familiarising yourself with your appliance

and to obtain information about the operating status.



2

1 activate appears when standby mode is active.

2 Displays the set temperature for the refrigerator compartment in °C.

3 -/+ (Refrigerator compartment) sets the temperature of the refrigerator compartment.

4 Displays the set temperature for the freezer compartment in °C.

5 -/+ (Freezer compartment) sets the temperature of the freezer compartment.

6 menu opens and closes the menu.

7 eco switches energy-saving mode on or off.

8 fresh switches freshness mode on or off.

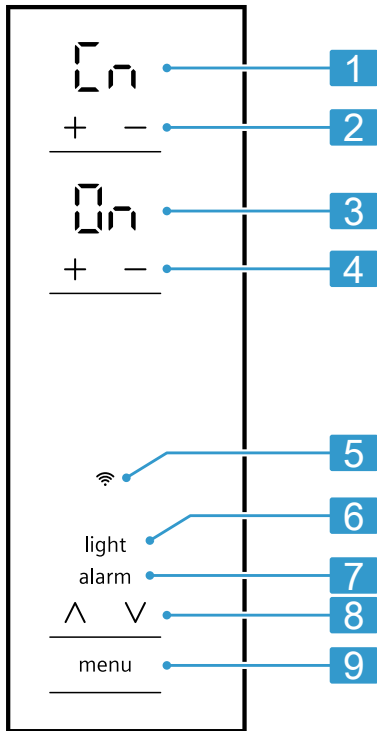
9 vacation switches holiday mode on or off.

10 unlock switches off the keylock for the control panel.

11 alarm off switches the warning signal off.

5.3 Control panel (submenu)

You can configure further settings in the submenu.



3

- 1** Displays the set submenu.
- 2** $-/+$ (Submenu) is used to navigate through the submenu.
- 3** Displays the settings of the submenu.
- 4** $-/+$ (Submenu setting) changes the submenu setting.
- 5** Wi-Fi lights up when the menu for setting up Home Connect is active.
- 6** light lights up when the menu for setting the lighting is active.
- 7** alarm lights up when the menu for setting the alarm is active.
- 8** \wedge/\vee is used to navigate through the menu.
- 9** menu opens and closes the menu.

5.4 Control panel (bottle storage compartment)

Use the bottle storage compartment's control panel to set the storage setting.



4

1 beverages sets the storage setting for beverages in the bottle storage compartment.


2 beer sets the storage setting for beer in the bottle storage compartment.

3 champagne sets the storage setting for champagne in the bottle storage compartment.

4 white wine sets the storage setting for white wine in the bottle storage compartment.

5 red wine sets the storage setting for red wine in the bottle storage compartment.

6 unlock switches the keylock for the control panel (bottle storage compartment) off.

7 custom  lights up if user-defined settings have been set via the Home Connect app. You can find more information in the Home Connect app.

6 Features

The features of your appliance depend on the model.

6.1 Shelf

ATTENTION

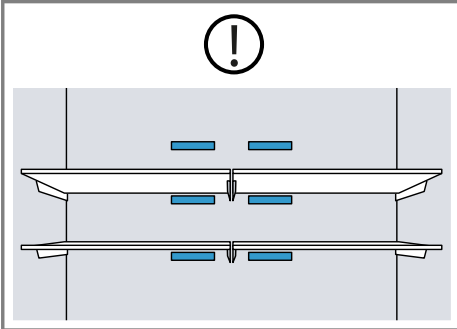
If fitted at an angle, the hooks on the shelf can scratch the rear panel of the refrigerator compartment.

- ▶ Ensure that the shelf is horizontal and that the hooks are properly fitted in place.

To vary the shelf as required, you can remove the shelf and re-insert it elsewhere.

→ "Removing the shelf", Page 29

Note: To avoid impeding the circulation of air, do not cover the inner ventilation openings.



6.2 Extendable bottle shelf

In order to achieve an improved overview and to remove bottles more quickly, pull out the extendable bottle shelf.

Note: The maximum loading weight is 14 kg.

6.3 Bottle shelf

Store bottles securely on the bottle shelf.

Note: The maximum loading weight is 22.5 kg.

6.4 Pull-out container

Store large plates or containers with processed food which has been covered in the pull-out container.

6.5 Container divider

⚠ WARNING

Risk of suffocation!

Children may climb into the appliance and suffocate.

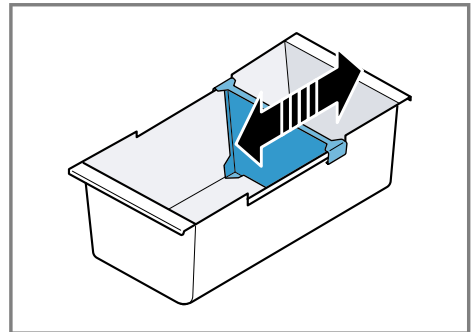
- ▶ Never remove the container divider from the suspended frozen food container.

ATTENTION

The container divider for the suspended frozen food container will be damaged if removed.

- ▶ Never remove the container divider from the suspended frozen food container.

To vary the division of the suspended frozen food container, you can move the container divider.



6.6 Flat frozen food container

Store flat frozen items, the ice storage container and the ice scoop in the flat frozen food container.

6.7 Frozen food pull-out container

In order to achieve an improved overview and to remove frozen food more quickly, remove frozen food pull-out container.

6.8 Suspended frozen food container

Store large frozen items in the suspended frozen food container.

6.9 Butter and cheese compartment

Store butter and hard cheese in the butter and cheese compartment.

6.10 Door tray

To adjust the door tray as required, you can remove the door tray and re-insert elsewhere.

→ "Removing door tray", Page 30

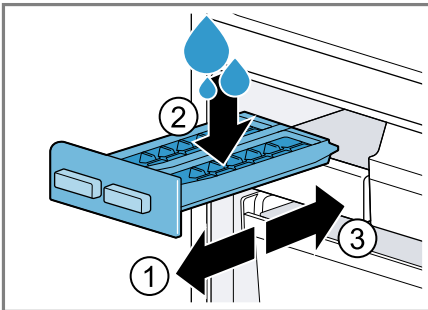
6.11 Ice cube maker

Use the ice cube maker to make ice cubes out of drinking water.

Making ice cubes

Use only drinking water to make ice cubes.

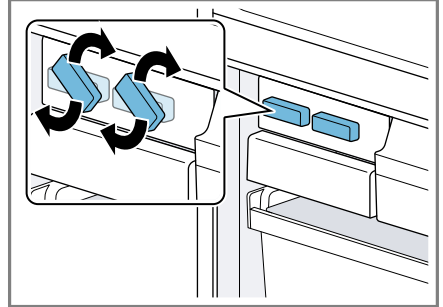
1. Remove the ice cube tray ①, fill $\frac{3}{4}$ full with drinking water ② and re-insert ③.



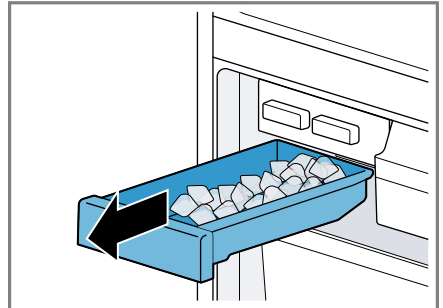
Note: If it is filled with too much drinking water, this may impair the function of the ice cube maker. The ice cubes cannot be removed individually from the ice cube tray. Too much drinking water was added and is running into the ice

cube container, causing any ice cubes to freeze together.

2. When the ice cubes are frozen, rotate the knob on the ice cube tray several times in a clockwise direction and release it.



- ✓ The ice cubes will loosen and fall into the ice cube container.
3. Pull out the ice storage container and remove the ice cubes.



6.12 Accessories

Use original accessories. These have been made especially for your appliance.

The accessories for your appliance depend on the model.

Egg tray

Store eggs safely on the egg tray.

7 Basic operation

7.1 Switching on the appliance

1. Electrically connect the appliance.
→ *Page 11*
- ✓ The appliance is now ready for use.
- ✓ The appliance begins to cool.
- ✓ A warning signal sounds, the temperature display (freezer compartment) flashes and "alarm off" lights up because the freezer compartment is still too warm.
2. Switch off the warning tone using **alarm off**.
- ✓ "alarm off" goes out as soon as the set temperature has been reached.
3. Set the required temperature.
→ *Page 19*

7.2 Operating tips

- Once you have switched on the appliance, the set temperature is only reached after several hours. Do not put any food in the appliance until the set temperature has been reached.
- The front and side panels of the housing heat up occasionally. This prevents condensation from forming.
- When closing the door, make sure that the door is not blocked by stored items.
- When you close the door, a vacuum may be created. The door is then difficult to open again. Wait a moment until the vacuum is offset.
- The temperature in the appliance varies due to the following conditions:
 - How often the appliance is opened
 - Load capacity

- Temperature of newly stored food
- Ambient temperature
- Direct sunlight

7.3 Switching off the appliance

- ▶ Disconnect the appliance from the power supply. Unplug the appliance from the mains or switch off the circuit breaker in the fuse box.

7.4 Setting the temperature

Setting the refrigerator compartment temperature

- ▶ Press $-/+$ (Refrigerator compartment) repeatedly until the temperature display (refrigerator compartment) shows the required temperature setting.

The recommended temperature in the refrigerator compartment is 4 °C.

Setting the freezer compartment temperature

- ▶ Press $-/+$ (Freezer compartment) repeatedly until the temperature display (freezer compartment) shows the required temperature setting.

The recommended temperature in the freezer compartment is -18 °C.

7.5 Bottle storage compartment storage setting

You can set the temperature of the bottle storage compartment using pre-defined storage settings.

Tip: Further settings are available in the Home Connect app.

Setting the bottle storage compartment storage setting

1. Press any touch field on the control panel (bottle storage compartment).
2. Press and hold **unlock** until the light bar lights up fully.
3. Press the storage setting that you require.

7.6 Keylock

The keylock prevents the appliance from being operated accidentally or incorrectly while running.

Switching off the keylock

- ▶ Press and hold **unlock** for three seconds.
- ✓ "unlock" goes out.

8 Additional functions

Find out which additional functions can be used for your appliance.

8.1 Super cooling

With Super cooling, the refrigerator compartment cools as cold as possible.

Switch on Super cooling before placing large quantities of food in the refrigerator compartment.

Note: When Super cooling is switched on, increased noise may occur.

Switching on Super cooling

- ▶ Press — (Refrigerator compartment) repeatedly until "SU" lights up.

Note: After approx. 6 hours, the appliance switches to normal operation.

Switching off Super cooling

- ▶ Press + (Refrigerator compartment) repeatedly until the temperature display (refrigerator compartment) shows the required temperature.

8.2 Super freezing

With Super freezing, the freezer compartment cools as cold as possible. Switch on Super freezing one to two hours before placing food weighing 2 kg or more into the freezer compartment.

In order to utilise the freezer capacity, use Super freezing.

→ *"Prerequisites for freezing capacity", Page 27*

Note: When Super freezing is switched on, increased noise may occur.

Switching on Super freezing

- ▶ Press — (Freezer compartment) repeatedly until "SU" lights up.

Note: After approx. 54 hours, the appliance switches to normal operation.

Switching off Super freezing

- ▶ Press + (Freezer compartment) repeatedly until the temperature display (freezer compartment) shows the required temperature.

8.3 Holiday mode

If you are going to be away for a long time, you can switch on energy-saving holiday mode on the appliance.

CAUTION

Risk of harm to health!

The refrigerator compartment heats up while the holiday mode is switched on. The increased temperat-

ure may cause bacteria to increase and spoil the food.

- ▶ When the holiday mode is switched on, do not store any food in the refrigerator compartment.

The appliance automatically sets the temperatures.

Refrigerator compartment	14 °C
Bottle storage compartment	Temperature remains unchanged
Freezer compartment	Temperature remains unchanged

Switching on holiday mode

- ▶ Press **vacation**.
- ✓ "vacation" lights up.

Switching off holiday mode

- ▶ Press **vacation**.
- ✓ The previously set temperature is displayed.

8.4 Energy-saving mode

You can set the appliance to save energy with the energy-saving mode. The appliance automatically sets the temperatures.

Refrigerator compartment	8 °C
Bottle storage compartment	Temperature remains unchanged
Freezer compartment	-16 °C

Switching on energy-saving mode

- ▶ Press **eco**.
- ✓ "eco" lights up.

Switching off energy-saving mode

- ▶ Press **eco**.
- ✓ The previously set temperature is displayed.

8.5 Freshness mode

In order to keep the food fresh for longer, you can switch on the freshness mode on the appliance. The appliance automatically sets the temperatures.

Refrigerator compartment	2 °C
Bottle storage compartment	Temperature remains unchanged
Freezer compartment	Temperature remains unchanged

Switching freshness mode on

- ▶ Press **fresh**.
- ✓ "fresh" lights up.

Switching off freshness mode

- ▶ Press **fresh**.
- ✓ The previously set temperature is displayed.

8.6 Interior lighting

You can switch the interior lighting off or set the brightness.

OF	The interior lighting is switched off
1	Minimum brightness
5	Maximum brightness

Setting the interior lighting

1. Press **menu**.
2. Press **V/Λ** until "light" lights up.
3. Press **-/+** (Submenu) until "In " lights up.
4. Press **-/+** (Submenu setting) until the setting display submenu shows the required setting.
5. Press **menu**.

8.7 Exterior lighting

You can switch the exterior lighting off or set the brightness.

en Alarm

OF	Exterior lighting switched off
1	Minimum brightness
5	Maximum brightness

Setting the exterior lighting

1. Press **menu**.
2. Press \vee/\wedge until "light" lights up.
3. Press $-/+$ (Submenu) until "E" lights up.
4. Press $-/+$ (Submenu setting) until the setting display submenu shows the required setting.
5. Press **menu**.

Duration for the exterior lighting

You can set the duration for the exterior lighting.

Inl	1 minute
20nl	20 minutes

Setting the duration for the exterior lighting

1. Press **menu**.
2. Press \vee/\wedge until "light" lights up.
3. Press $-/+$ (Submenu) until "du" lights up.
4. Press $-/+$ (Submenu setting) until the setting display submenu shows the required setting.
5. Press **menu**.

Proximity sensor

The proximity sensor automatically switches on the exterior lighting as soon as you approach the appliance or stand in front of it.

1	Proximity sensor activated
OF	Proximity sensor deactivated

Activating the proximity sensor

1. Press **menu**.
2. Press \vee/\wedge until "light" lights up.
3. Press $-/+$ (Submenu) until "Pr" lights up.

4. Press $-/+$ (Submenu setting) until the submenu setting display shows "1".
5. Press **menu**.

Deactivating the proximity sensor

1. Press **menu**.
2. Press \vee/\wedge until "light" lights up.
3. Press $-/+$ (Submenu) until "Pr" lights up.
4. Press $-/+$ (Submenu setting) until the submenu setting display shows "OF".
5. Press **menu**.

9 Alarm

9.1 Door alarm

If the appliance door is open for a while, the door alarm switches on. A warning tone sounds and "alarm off" flashes.

Switching off the door alarm

- ▶ Close the appliance door or press **alarm off**.
- ✓ The warning tone is switched off.
- ✓ "alarm off" goes out.

Door alarm warning signal

You can activate or deactivate the door alarm warning signal.

On	Door alarm warning signal activated
OF	Door alarm warning signal deactivated

Activating the door alarm warning signal

1. Press **menu**.
2. Press \vee/\wedge until "alarm" lights up.
3. Press $-/+$ (Submenu setting) until the setting display submenu shows the required setting.
4. Press **menu**.

Deactivating the door alarm warning signal

1. Press **menu**.
2. Press \vee/\wedge until "alarm" lights up.
3. Press $-/+$ (Submenu setting) until the setting display submenu shows the required setting.
4. Press **menu**.

9.2 Temperature alarm

If the freezer compartment becomes too warm, the temperature alarm is switched on.

A warning tone sounds and the set temperature (freezer compartment) and "alarm off" flash.

CAUTION

Risk of harm to health!

During the thawing process, bacteria may multiply and spoil the frozen food.

- ▶ Do not refreeze food after it has been defrosted or started to defrost.
- ▶ Refreeze food only after cooking.
- ▶ These items should no longer be stored for the maximum storage period.

The temperature alarm can be switched on in the following cases:

- The appliance is switched on.
Do not store any food until the appliance has reached the set temperature.
- Large quantities of fresh food are being placed inside.
Switch on Super freezing before placing large quantities of food in the appliance.
- The freezer compartment door is open for too long.

Check whether the frozen food has defrosted or thawed.

Switching off the temperature alarm

- ▶ Press **alarm off**.
- ✓ The warning tone is switched off.
- ✓ The temperature display (freezer compartment) briefly indicates the warmest temperature reached in the freezer compartment. The temperature display (freezer compartment) then indicates the set temperature again.
- ✓ From this time on, the warmest temperature is measured again and saved.
- ✓ "alarm off" goes out.

10 Home Connect

This appliance is network-capable. Connect your appliance to a mobile device to control its functions via the Home Connect app.

The Home Connect services are not available in every country. The availability of the Home Connect function depends on the availability of the Home Connect services in your country. You can find information about this at: www.home-connect.com.

To be able to use Home Connect, you must first set up the connection to the WLAN home network (Wi-Fi¹) and to the Home Connect app. After switching on the appliance, wait at least 2 minutes until internal device initialisation is complete. Only then should you set up Home Connect. The Home Connect app guides you through the entire login process. Fol-

¹ Wi-Fi is a registered trademark of the Wi-Fi Alliance.

low the instructions, noting the information in the Home Connect app.

Notes

- Please note the safety precautions in this instruction manual and make sure that they are also observed when operating the appliance via the Home Connect app.
→ "Safety", Page 3
- Operating the appliance on the appliance itself always takes priority. During this time it is not possible to operate the appliance using the Home Connect app.

10.1 Setting up Home Connect

Requirement: The appliance is receiving signals from the WLAN home network (Wi-Fi) at its installation location.

1. Scan the following QR code.



You can install the Home Connect app and connect your appliance via the QR code.

2. Follow the instructions in the Home Connect app.

10.2 Installing updates for the Home Connect software

The appliance searches for updates to the Home Connect software at regular intervals.

Notes

- If updates are available, the submenu display shows "UP".

To cancel the update and reset the submenu display to the set temperature, press any touch field.

- The current software version can be found in the Home Connect app under the appliance information for the relevant home appliance.

1. Press **menu**.
 - ✓ lights up and the submenu display shows "Cn".
2. Press -/+ (Submenu) repeatedly until the submenu display shows "UP" and the submenu setting display shows "OF".
3. Press + (Submenu setting).
 - ✓ The submenu setting display shows an animation.
 - ✓ The update is installed.
 - ✓ The control panel is locked during the installation.
 - ✓ If the installation is successful, the submenu setting display shows "On".
4. If the submenu setting display shows "Er", the appliance was unable to install the update.
 - ▶ Repeat the process at a later point.
5. If the update cannot be completed after several attempts, contact the after-sales service → Page 37.

10.3 Resetting Home Connect settings

If your appliance experiences connection problems with the WLAN home network (Wi-Fi) or your appliance wants to log into a different WLAN home network (Wi-Fi), you can reset the Home Connect settings.

1. Press **menu**.
 - ✓ lights up and the submenu display shows "Cn".

2. Press **-/+** (Submenu) repeatedly until the submenu display shows "rE" and the submenu setting display shows "OF".
3. Press **+** (Submenu setting).
 - ✓ The submenu setting display shows an animation for approx. 15 seconds.
 - ✓ The submenu setting display shows "On".
 - ✓ The Home Connect settings have been reset.
4. Press **menu**.

10.4 Remote diagnostics

Customer Service can use Remote Diagnostics to access your appliance if you contact them, have your appliance connected to the Home Connect server and if Remote Diagnostics is available in the country in which you are using the appliance.

Tip: For further information and details about the availability of Remote Diagnostics in your country, please visit the service/support section of your local website: *www.home-connect.com*.

10.5 Data protection

Please see the information on data protection.

The first time your appliance is registered on a home network connected to the Internet, your appliance will transmit the following types of data to the Home Connect server (initial registration):

- Unique appliance identification (consisting of appliance codes as well as the MAC address of the installed Wi-Fi communication module).

- Security certificate of the Wi-Fi communication module (to ensure a secure data connection).
- The current software and hardware version of your appliance.
- Status of any previous resetting to factory settings.

This initial registration prepares the Home Connect functions for use and is only required when you want to use the Home Connect functions for the first time.

Note: Please note that the Home Connect functions can only be utilised with the Home Connect app. Information on data protection can be retrieved in the Home Connect app.

11 Refrigerator compartment

You can keep meat, sausage, fish, dairy products, eggs, prepared meals and pastries in the refrigerator compartment.

The temperature can be set from 2 °C to 8 °C.

The refrigerator compartment can also be used to store highly perishable foods in the short to medium term. The lower the selected temperature, the longer the food remains fresh.

11.1 Tips for storing food in the refrigerator compartment

- Only store food when fresh and undamaged.
- Store food covered or in air-tight packaging.
- To avoid impeding the circulation of air and to prevent food from freezing, do not place food in front

en Bottle storage compartment

of the inner ventilation openings or in direct contact with the back wall.

- Allow hot food and drinks to cool down first before placing in the appliance.
- Observe the best-before date or use-by date specified by the manufacturer.

11.2 Chill zones in the refrigerator compartment

The air recirculation cooling system allows the air to circulate evenly in the refrigerator compartment and ensures a constant temperature at all shelves.

Coldest zone

The coldest zone is between the arrow stamped on the side and the shelf underneath.

Tip: Store highly perishable food such as fish, sausages and meat in the coldest zone.

12 Bottle storage compartment

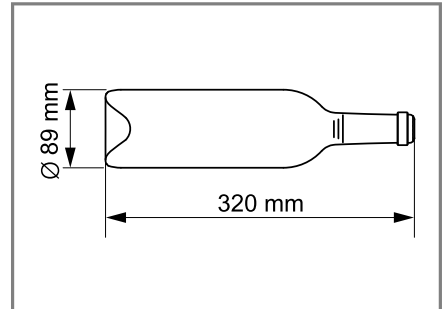
In the bottle storage compartment, you can store beverages, beer, champagne, white wine and red wine at a constant temperature.

The temperature can be set from 2 °C to 12 °C using pre-defined storage settings.

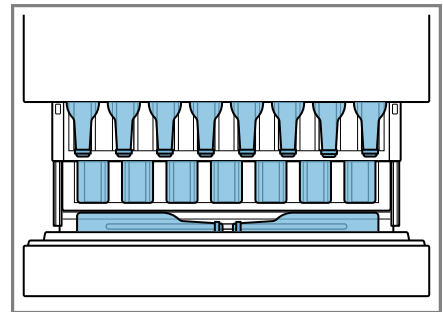
12.1 Arranging the maximum number of bottles

1. To place the maximum number of bottles on the bottle shelf, place the bottles into the appliance laying down with the base of the bottle facing forwards.
2. To place the maximum number of bottles on the extendable bottle

shelf, place the bottles into the appliance laying down with the neck of the bottle facing forwards.



Maximum bottle dimensions



Storage example with 17 bottles

Note: Not all bottles sizes can be stored.

Tip: Remove the extendable bottle shelf to create storage space for larger bottles.

13 Freezer compartment

You can store frozen food, freeze food and make ice cubes in the freezer compartment.

The temperature can be set from -16 °C to -24 °C.

Long-term storage of food should be at -18 °C or lower.

The freezer compartment can be used to store perishable food long-term. The low temperatures slow down or stop the spoilage.

13.1 Freezing capacity

The freezing capacity indicates the quantity of food that can be frozen right through to the centre within a specific period of time.

Information on freezing capacity can be found on the rating plate.

→ "Appliance", Fig. **1** **9** Page 13

Prerequisites for freezing capacity

1. Approx. 24 hours before storing fresh food in the appliance, switch on Super freezing.
→ "Switching on Super freezing", Page 20
2. Store the food in the frozen food pull-out container first.

13.2 Fully utilising the freezer compartment volume

Learn how to store the maximum amount of frozen food in the freezer compartment.

1. Remove all fittings from the freezer compartment, apart from the suspended frozen food container.
→ Page 29
2. Stack the food in the suspended frozen food container.

13.3 Tips for storing food in the freezer compartment

- Store food in air-tight packaging.
- Do not bring food which is to be frozen into contact with frozen food.
- Distribute the food over a wide area in the suspended frozen food container.

13.4 Tips for freezing fresh food

- Freeze fresh and undamaged food only.
- Freeze food in portions.

- Cooked food is more suitable than food that can be eaten raw.
- Vegetables: Wash, chop up and blanch before freezing.
- Fruit: Wash, pit and perhaps peel, possibly add sugar or ascorbic acid solution.
- Food that is suitable for freezing includes baked items, fish and seafood, meat, game, poultry, eggs without shells, cheese, butter and quark, ready meals and leftovers.
- Food that is unsuitable for freezing includes lettuce, radishes, eggs in shells, grapes, raw apples and pears, yoghurt, sour cream, crème fraîche and mayonnaise.

Packing frozen food

If you select suitable packaging material and the correct type of packaging, you can determine the product quality and prevent freezer burn.

1. Place the food in the packaging.
2. Squeeze out the air.
3. Pack food airtight to prevent it from losing flavour and drying out.
4. Label the packaging with the contents and the date of freezing.

13.5 Shelf life of frozen food at -18 °C

Food	Storage time
Fish, sausages, prepared meals and baked goods	up to 6 months
Poultry, meat	up to 8 months
Vegetables, fruit	up to 12 months

13.6 Defrosting methods for frozen food

CAUTION

Risk of harm to health!

During the thawing process, bacteria may multiply and spoil the frozen food.

- ▶ Do not refreeze food after it has been defrosted or started to defrost.
- ▶ Refreeze food only after cooking.
- ▶ These items should no longer be stored for the maximum storage period.
- Defrost animal-based food, such as fish, meat, cheese, quark, in the refrigerator compartment.
- Defrost bread at room temperature.
- Prepare food for immediate consumption in the microwave, in the oven, or on the hob.

14 Defrosting

14.1 Defrosting in the refrigerator compartment

The refrigerator compartment in your appliance defrosts automatically.

14.2 Defrosting in the bottle storage compartment

The bottle storage compartment in your appliance defrosts automatically.

14.3 Defrosting in the freezer compartment

The fully automatic NoFrost system ensures that the freezer compartment remains frost-free. Defrosting is not required.

15 Cleaning and servicing

Customer Service must clean inaccessible points. Cleaning by customer service can give rise to costs.

15.1 Preparing the appliance for cleaning

1. Disconnect the appliance from the power supply.
Unplug the appliance from the mains or switch off the circuit breaker in the fuse box.
2. Take out all of the food and store it in a cool place.
Place ice packs (if available) onto the food.
3. Remove all fittings and accessories from the appliance.
→ *Page 29*
4. Remove the telescopic rails.
→ *Page 31*
5. Remove the refrigerator compartment glass plate. → *Page 32*
6. Remove the shelf above the pull-out container. → *Page 33*

15.2 Cleaning the appliance

WARNING

Risk of electric shock!

An ingress of moisture can cause an electric shock.

- ▶ Do not use steam- or high-pressure cleaners to clean the appliance.

Liquid in the lighting or in the controls can be dangerous.

- ▶ The rinsing water must not drip into the lighting or controls.

ATTENTION

Unsuitable cleaning products may damage the surfaces of the appliance.

- ▶ Do not use hard scouring pads or cleaning sponges.
- ▶ Do not use harsh or abrasive detergents.
- ▶ Do not use cleaning products with a high alcohol content.
- ▶ Do not use stainless-steel cleaning agents on the outside of the appliance.

If you clean fittings and accessories in the dishwasher, this may cause them to become deformed or discoloured.

- ▶ Never clean fittings and accessory in the dishwasher.

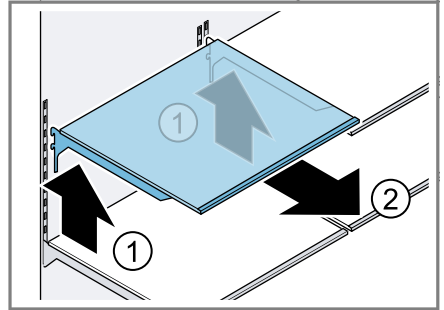
1. Prepare the appliance for cleaning.
→ *Page 28*
2. Clean the outside of the appliance, the inside of the appliance, the fittings, the accessories and the door seals with a dish cloth, luke-warm water and a little pH-neutral detergent.
3. Dry thoroughly with a soft, dry cloth.
4. Insert the fittings and install the removable appliance parts.
5. Electrically connect the appliance.
→ *Page 11*
6. Putting the food into the appliance.

15.3 Removing the fittings

If you want to clean the fittings thoroughly, remove these from your appliance.

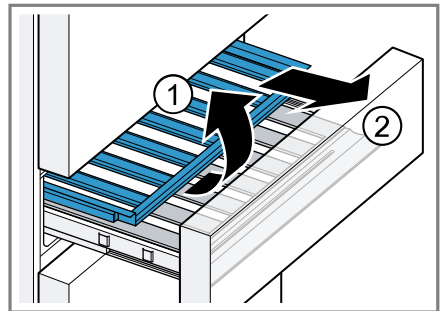
Removing the shelf

- ▶ Lift the shelf ① and remove it ②.



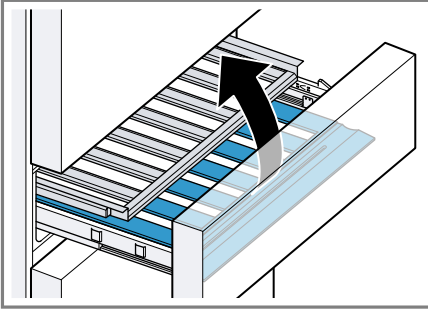
Removing the extendable bottle shelf

1. Pull out the bottle storage compartment drawer as far as it will go.
2. Pull out the extendable bottle shelf as far as it will go.
3. Lift the extendable bottle shelf at the front ① and remove it ②.



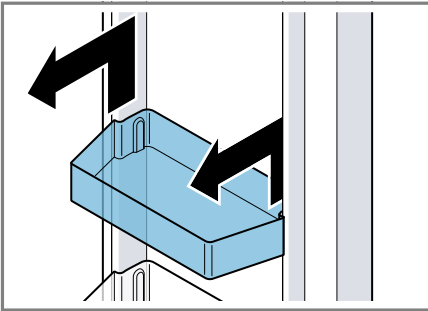
Removing the bottle shelf

1. Pull out the bottle storage compartment drawer as far as it will go.
2. Lift the rear and front bottle shelves and remove them.



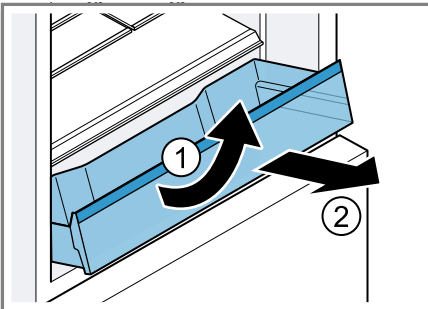
Removing door tray

- ▶ Lift the door tray and remove it.



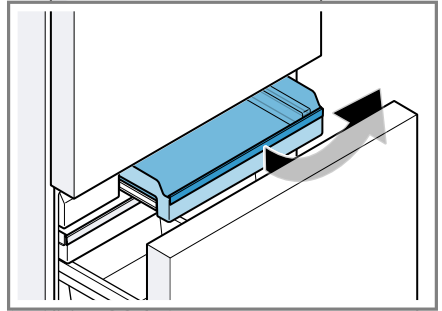
Removing pull-out containers

1. Pull out the pull-out container as far as it will go.
2. Lift the pull-out container at the front ① and remove it ②.



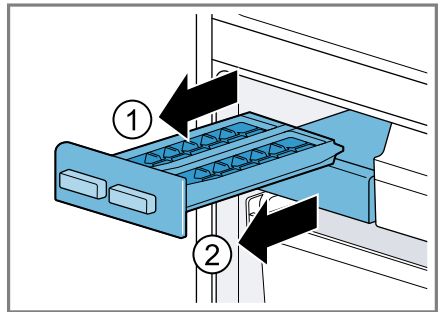
Removing the frozen food pull-out container

1. Pull out the frozen food pull-out container as far as it will go.
2. Lift the frozen food pull-out container at the front and remove it.



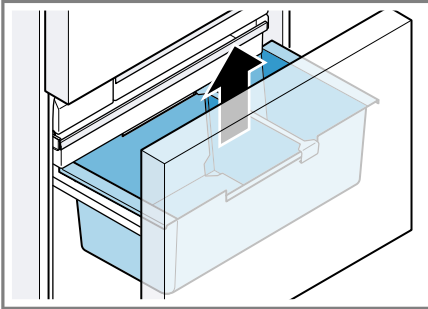
Removing the ice cube maker

- ▶ Remove and empty the ice cube tray ① and the ice storage container ②.



Removing the suspended frozen food container

- ▶ Lift out the suspended frozen food container.



15.4 Removing appliance components

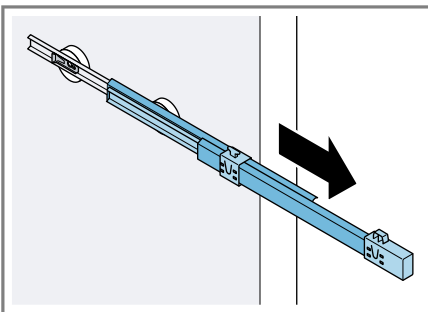
If you want to clean your appliance thoroughly, you can remove certain components from your appliance.

Telescopic rails

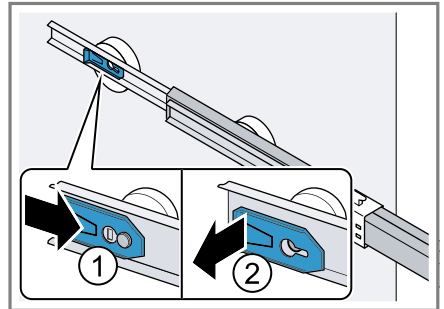
You can remove the telescopic rails in order to clean them thoroughly.

Removing telescopic rails

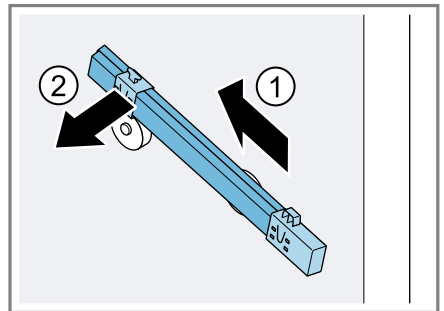
1. Pull out the telescopic rail.



2. Move the lock in the direction of the arrow ① and loosen the pin from the rear ②.

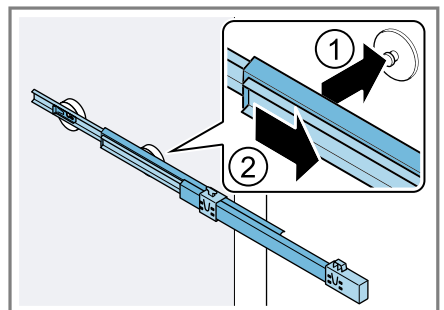


3. Push in the telescopic rail.
4. Push the telescopic rail backwards above the rear pin ① and disengage ②.



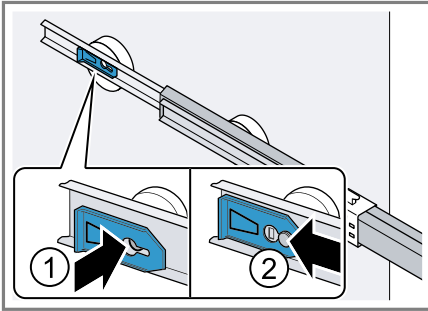
Installing telescopic rails

1. Place the extended telescopic rail on the front pin ① and pull it forwards slightly to lock in place ②.



en Cleaning and servicing

2. Place the telescopic rail on the rear pin ① and push the locking mechanism back ②.

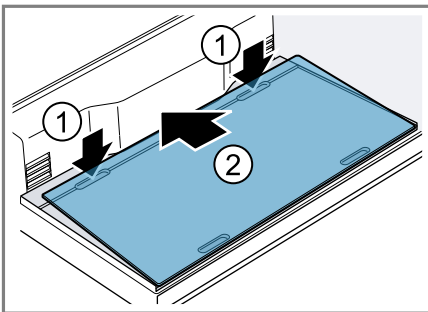


Refrigerator compartment glass plate

To clean the refrigerator compartment glass plate thoroughly, you can remove it.

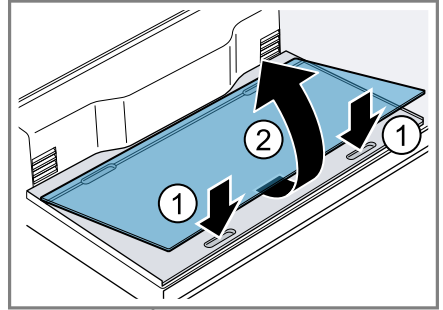
Removing the refrigerator compartment glass plate

1. Grip both the rear recesses at the base of the refrigerator compartment and lift the refrigerator compartment glass plate ①. Slide the refrigerator compartment glass plate towards the rear ②.



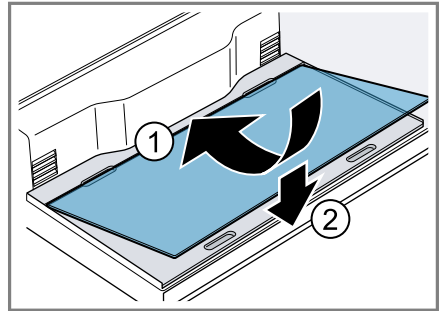
2. Grip both the front recesses at the base of the refrigerator compartment ①, lift the refrigerator com-

partment glass plate and remove it ②.



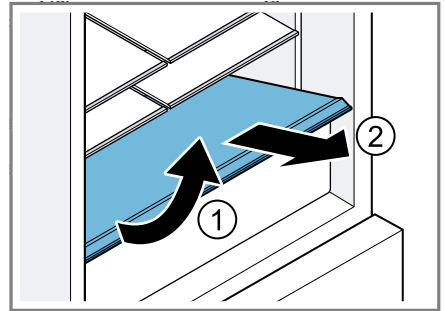
Install the refrigerator compartment glass plate

- Place the refrigerator compartment glass plate at the rear of the base of the refrigerator compartment ① and lower it ②.



Removing the shelf above the pull-out container

- ▶ Lift the shelf above the pull-out container at the front ① and remove it ②.



16 Troubleshooting

You can rectify minor faults on your appliance yourself. Read the troubleshooting information before contacting after-sales service. This will avoid unnecessary costs.



WARNING


Risk of electric shock!


Improper repairs are dangerous.

- ▶ Repairs to the appliance should only be carried out by trained specialist staff.
- ▶ Only use genuine spare parts when repairing the appliance.
- ▶ If the power cord or the appliance power cable of this appliance is damaged, it must be replaced with a special power cord or special appliance power cable, which is available from the manufacturer or its Customer Service.

Fault	Cause and troubleshooting
The appliance is not cooling, the displays and lighting are lit.	Showroom mode is switched on. <ul style="list-style-type: none"> ▶ Carry out the appliance self-test. ✓ Once the appliance self-test has ended, the appliance switches to normal operation.
The LED lighting does not work.	Different causes are possible. <ul style="list-style-type: none"> ▶ Call customer service. The customer service number can be found in the enclosed customer service directory.
The refrigeration unit is switching on more frequently and for longer.	The appliance has been opened frequently. <ul style="list-style-type: none"> ▶ Do not open appliance door unnecessarily. External ventilation openings are covered up. <ul style="list-style-type: none"> ▶ Remove any obstructions from in front of the external ventilation openings.

Fault	Cause and troubleshooting
<p>The refrigeration unit is switching on more frequently and for longer.</p>	<p>Not a fault. Modern refrigeration machines switch on more frequently and have different power levels to cool more efficiently.</p>  <ul style="list-style-type: none"> ▶ Remove any obstructions from in front of the external ventilation openings. ▶ Install the appliance as far away as possible from heating elements, cookers and other heat sources. Avoid prolonged exposure of the appliance to direct sunlight. ▶ Only open the appliance door as briefly as necessary. ▶ Allow hot food and drinks to cool down first before storing in the appliance.
<p>A layer of frost forms on the back wall of the refrigerator compartment.</p>	<p>Not a fault. Modern refrigeration machines ensure a more even temperature in the refrigerator compartment. The back wall of the refrigerator compartment is defrosted automatically at regular intervals.</p>  <ul style="list-style-type: none"> ▶ Only open the appliance door as briefly as necessary. ▶ Pack the food airtight or cover it. ▶ Allow hot food and drinks to cool down first before storing in the appliance. ▶ Always leave some space between the food and the interior walls.
<p>Home Connect is not working properly.</p>	<p>Different causes are possible.</p> <ul style="list-style-type: none"> ▶ Go to www.home-connect.com.
<p>"E" or "d" appears on the temperature display.</p>	<p>The electronics have detected a fault.</p> <ol style="list-style-type: none"> 1. Switch off the appliance. → <i>Page 19</i> 2. Disconnect the appliance from the mains. Unplug the appliance from the mains or switch off the circuit breaker in the fuse box. 3. Reconnect the appliance after five minutes. 4. If the message still appears on the display, call Customer Service. <p>The customer service number can be found in the enclosed customer service directory.</p>

Fault	Cause and troubleshooting
<p>A warning signal sounds and "alarm off" flashes. The door alarm is switched on.</p>	<p>The appliance door is open. ▶ Close the appliance door.</p>
<p>A warning tone sounds and the temperature display (freezer compartment) and "alarm off" flash. The temperature alarm is switched on.</p>	<p>Different causes are possible.</p> <ol style="list-style-type: none"> 1. Press alarm off. ✓ The alarm is switched off. 2. After several hours, check whether the set freezer compartment temperature has been reached again. <hr/> <p>External ventilation openings are covered up.</p> <ul style="list-style-type: none"> ▶ Remove any obstructions from in front of the external ventilation openings. <hr/> <p>Larger quantities of fresh food have been put in.</p> <ul style="list-style-type: none"> ▶ Switch on Super freezing before placing a larger amount of food in the appliance. <p>→ "Switching on Super freezing", Page 20</p>
<p>The temperature differs greatly from the setting.</p>	<p>Different causes are possible.</p> <ol style="list-style-type: none"> 1. Switch off the appliance. → Page 19 2. Switch the appliance back on after five minutes. → Page 19 <ul style="list-style-type: none"> ▶ If the temperature is too warm, check the temperature again after a couple of hours. ▶ If the temperature is too cold, check the temperature again on the following day.
<p>The appliance hums, bubbles, buzzes, gargles, clicks or crackles.</p>	<p>Not a fault. A motor is running, e.g. refrigerating unit, fan. Refrigerant flows through the pipes. The motor, switches or solenoid valves are switching on or off. Automatic defrosting is running. No action required.</p>
<p>The appliance makes noises.</p> 	<p>The appliance is not level.</p> <ul style="list-style-type: none"> ▶ Align the appliance using a spirit level and the screw feet. <hr/> <p>The appliance is not free-standing.</p> <ul style="list-style-type: none"> ▶ Observe the minimum clearances for the appliance. <hr/> <p>Fittings wobble or stick.</p> <ul style="list-style-type: none"> ▶ Check the removable fittings and, if required, replace these. <hr/> <p>Bottles or containers are touching.</p> <ul style="list-style-type: none"> ▶ Move the bottles or containers away from each other.

Fault	Cause and troubleshooting
The appliance makes noises.	Super freezing is switched on. No action required.
	

16.1 Power failure

During a power failure, the temperature in the appliance rises; this reduces the storage time and the quality of the frozen food.

On the website for your appliance, the technical data provides you with the storage times for frozen food in the event of a fault.

Notes

- Open the appliance as little as possible during a power failure and do not place any other food in the appliance.
- Check the quality of the food immediately after a power failure.
 - Dispose of any frozen food that has defrosted and is hotter than 5 °C.
 - Cook or fry slightly thawed frozen food, and then either consume it or freeze it again.

16.2 Conducting an appliance self-test

Your appliance has an appliance self-test which displays faults that can be eliminated by your customer service.

1. Disconnect the appliance from the power supply.
Unplug the appliance from the mains or switch off the circuit breaker in the fuse box.
2. Electrically reconnect the appliance after 5 minutes. → *Page 11*
3. Within the first two minutes after switching on, press and hold

menu for 10 seconds until an audible signal sounds.

- ✓ The appliance self-test starts.
- ✓ While the appliance self-test is running, a long audible signal sounds.
- ✓ If, at the end of the appliance self-test, 2 audible signals sound and the temperature display indicates the set temperature, the temperature sensors on your appliance are OK. The appliance switches to normal operation.
- ✓ If, at the end of the appliance self-test, 5 audible signals sound and the submenu setting display shows "Er", inform customer service.

17 Storage and disposal

17.1 Taking the appliance out of operation

1. Disconnect the appliance from the power supply.
Unplug the appliance from the mains or switch off the circuit breaker in the fuse box.
2. Remove all of the food.
3. Clean the appliance. → *Page 28*
4. **ATTENTION** – Objects jammed between the door and the housing may damage the door hinge.
 - ▶ Open the door until it remains open by itself.
 - ▶ Do not insert any objects between the door and the housing.

To guarantee the ventilation inside the appliance, leave the appliance open.

used appliances as applicable throughout the EU.

17.2 Disposing of old appliance

Valuable raw materials can be re-used by recycling.

WARNING

Risk of harm to health!

Children can lock themselves in the appliance, thereby putting their lives at risk.

- ▶ Leave shelves and containers inside the appliance to prevent children from climbing in.
- ▶ Keep children away from the redundant appliance.

WARNING

Risk of fire!

If the tubes are damaged, flammable refrigerant and harmful gases may escape and ignite.

- ▶ Do not damage the tubes of the refrigerant circuit or the insulation.
1. Unplug the appliance from the mains.
 2. Cut through the power cord.
 3. Dispose of the appliance in an environmentally friendly manner. Information about current disposal methods are available from your specialist dealer or local authority.



This appliance is labelled in accordance with European Directive 2012/19/EU concerning used electrical and electronic appliances (waste electrical and electronic equipment - WEEE). The guideline determines the framework for the return and recycling of

18 Customer Service

Function-relevant genuine spare parts according to the corresponding Eco-design Directive can be obtained from Customer Service for a period of at least 10 years from the date on which your appliance was placed on the market within the European Economic Area.

Furthermore, our Customer Service will continue to provide you with other function-relevant and storable genuine spare parts for up to 15 years from the date on which your appliance was placed on the market. For more information, please contact our Customer Service team.

Note: Under the terms of the manufacturer's warranty applicable to the location, the use of Customer Service is free of charge. The minimum duration of the warranty (manufacturer's warranty for private consumers) in the European Economic Area is 2 years according to the terms of warranty applicable to the location. The terms of warranty do not affect other rights or claims held by yourself under local legislation.

Detailed information about the warranty period and the warranty conditions in your country is available via the QR code on the enclosed document on service contacts and warranty conditions, from our customer service or on our website.

You can find the contact details for our customer service via the QR code on the enclosed document on

service contacts and warranty conditions or on our website.

18.1 Product number (E-Nr.) and production number (FD)

If you contact Customer Service, you will require the product number (E-Nr.) and the production number (FD), which you can find on the appliance's rating plate.

→ "Appliance", Fig. 1/9 Page 13
Make a note of your appliance's details and the Customer Service telephone number to find them again quickly.

19 Technical data

Refrigerant, cubic capacity and further technical specifications can be found on the rating plate.

→ "Appliance", Fig. 1/9 Page 13
This product contains a light source from energy efficiency class E. The light source is available as a spare part and should only be replaced by trained specialist staff.
This product contains a second light source from energy efficiency class G. The light source is available as a spare part and should only be replaced by trained specialist staff.
This product contains a third light source from energy efficiency class E. The light source is available as a spare part and should only be replaced by trained specialist staff.
This product contains a fourth light source from energy efficiency class E. The light source is available as a

spare part and must only be replaced by trained specialist staff. You can find more information about your model online at <https://eprel.ec.europa.eu/>¹. This web address is linked to the official EU EPREL product database. Please then follow the instructions on searching for the model. The model identifier is made up of the characters before the slash in the product number (E-Nr.) on the rating plate. Alternatively, you can also find the model identifier in the first line of the EU energy label.

19.1 Information regarding free and open source software

This product includes software components that are licensed by the copyright holders as free software or open source software.

The applicable licence information is stored on your home appliance. You can also access the applicable licence information via your Home Connect app: "Profile -> Legal information -> Licence Information".² You can also download the licence information on the brand product website. (Please search on the product website for your appliance model and additional documents). Alternatively, you can request the relevant information from oss-request@bshg.com or BSH Hausgeräte GmbH, Carl-Wery-Str. 34, 81739 Munich, Germany.

The relevant source code will be made available on request. Please send your request to oss-request@bshg.com or BSH Hausgeräte

¹ Only applies to countries in the European Economic Area

² Depending on the appliance specifications

äte GmbH, Carl-Wery-Str.34, 81739
Munich, Germany.
Subject: „OSSREQUEST“
The cost of performing your request
will be charged to you. This offer is

valid for three years from the date of
purchase or at least as long as we
offer support and spare parts for the
relevant appliance.

20 Declaration of Conformity

BSH Hausgeräte GmbH hereby declares that the appliance with Home Connect functionality conforms to the essential requirements and other relevant provisions of Directive 2014/53/EU.

A detailed RED Declaration of Conformity can be found online at siemens-home.bsh-group.com among the additional documents on the product page for your appliance.



Hereby, BSH Hausgeräte GmbH declares that the appliance with Home Connect functionality is in compliance with relevant statutory requirements.¹
A detailed Declaration of Conformity can be found online at siemens-home.bsh-group.com/uk/ among the additional documents on the product page for your appliance.¹



2.4 GHz band (2400–2483.5 MHz): Max. 100 mW
5-GHz band (5150–5350 MHz + 5470–5725 MHz): max. 50 mW

	BE	BG	CZ	DK	DE	EE	IE	EL	ES
	FR	HR	IT	CY	LI	LV	LT	LU	HU
	MT	NL	AT	PL	PT	RO	SI	SK	FI
	SE	NO	CH	TR	IS	UK (NI)			

5 GHz WLAN (Wi-Fi): For indoor use only.

AL	BA	MD	ME	MK	RS	UK	UA
----	----	----	----	----	----	----	----

5 GHz WLAN (Wi-Fi): For indoor use only.

20.1 Statement of Compliance for Great Britain

The full Statement of Compliance according to the Product Security and Telecommunications Infrastructure

(Security Requirements for Relevant Connectable Products) Regulations 2023 can be found online at www.siemens-home.bsh-group.com/uk/home among the additional docu-

¹ Only applies to Great Britain

en Declaration of Conformity

ments on the product page for your appliance.

Product type

This statement of compliance covers the products described in this information for use whose model identifier group is seen on the title page. The full model identifier is made up of the characters before the slash in the product number (E no.) which can be found on the rating plate. Alternatively, you can also find the model identifier in the first line of the UK Energy Label.

Name and address of manufacturer

BSH Hausgeräte GmbH, Carl-Wery-Strasse 34, 81739 München, Germany

This statement of compliance is prepared by the manufacturer.

The manufacturer, BSH Hausgeräte GmbH deems that it has complied with

- provision 5.1-1 of ETSI EN 303 645 v2.1.1 and, where relevant, provision 5.1-2 of ETSI EN 303 645 v2.1.1;
- provision 5.2-1 of ETSI EN 303 645 v2.1.1;
- provision 5.3-13 of ETSI EN 303 645 v2.1.1.

Support period

BSH Hausgeräte GmbH will provide security updates that are necessary to maintain the main functions free of charge until at least 28/02/2034.

EN Manufactured by BSH Hausgeräte GmbH under the trademark licence of Siemens AG

Valid within Great Britain:
Imported to Great Britain by
BSH Home Appliances Ltd.
Grand Union House
Old Wolverton Road
Wolverton, Milton Keynes
MK12 5PT
United Kingdom

BSH Hausgeräte GmbH
Carl-Wery-Straße 34
81739 München, GERMANY
siemens-home.bsh-group.com



9001644935 (060213)
en