



Register your
new device on
MyBosch now and
get free benefits:
[bosch-home.com/
welcome](https://bosch-home.com/welcome)



Microwave Oven

BEL554MS0

[en]	User manual and installation instructions	52
[id]	Panduan pengoperasian dan petunjuk pemasangan	52

Table of contents

INFORMATION FOR USE

1	Safety	2
2	Preventing material damage	6
3	Environmental protection and saving energy	6
4	Familiarising yourself with your appliance	7
5	Accessories	8
6	Before using for the first time	8
7	Basic operation	9
8	Grill	10
9	Memory	11
10	Programmes	11
11	Basic settings	13
12	Cleaning and servicing	13
13	Troubleshooting	15
14	Disposal	16
15	Customer Service	16
16	How it works	17
17	INSTALLATION INSTRUCTIONS	23
17.1	Safe installation	23

1 Safety

Observe the following safety instructions.

1.1 General information

- Read this instruction manual carefully.
- Keep the instruction manual and the product information safe for future reference or for the next owner.
- Do not connect the appliance if it has been damaged in transit.

1.2 Intended use

Only a licensed professional may connect appliances without plugs. Damage caused by incorrect connection is not covered under the warranty.

The appliance can only be used safely if it is correctly installed according to the safety instructions. The installer is responsible for ensuring that the appliance works perfectly at its installation location.

Only use this appliance:

- To prepare meals and drinks.
- Under supervision. Never leave the appliance unattended when cooking for short periods.
- For household use and similar applications, such as: In kitchens for employees in shops, offices and other commercial sectors; in agriculture; by customers in hotels and other residential facilities; in bed and breakfasts.
- up to an altitude of max. 4000 m above sea level.

This appliance complies with the standards EN 55011 and CISPR 11. It is a group 2, class B product. Group 2 means that microwaves are produced for the purpose of heating food. Class B means that the appliance is suitable for private households.

1.3 Restriction on user group

This appliance may be used by children aged 15 or over and by people who have reduced physical, sensory or mental abilities or inadequate experience and/or knowledge, provided that they are supervised or have been instructed on how to use the appliance safely and have understood the resulting dangers.

Do not let children play with the appliance. Children must not perform cleaning or user maintenance unless they are at least 15 years old and are being supervised. Keep children under the age of 8 years away from the appliance and power cable.

1.4 Safe use

WARNING – Risk of fire!

Combustible objects that are left in the cooking compartment may catch fire.

- ▶ Never store combustible objects in the cooking compartment.
- ▶ If smoke is emitted, the appliance must be switched off or the plug must be pulled out and the door must be held closed in order to stifle any flames.

Loose food remnants, fat and meat juices may catch fire.

- ▶ Before using the appliance, remove the worst of the food residues and remnants from the cooking compartment, heating elements and accessories.

Overheating of the appliance may cause a fire.

- ▶ Never install the appliance behind a decorative door or unit door.

⚠ WARNING – Risk of burns!

The appliance and its parts that can be touched become hot during use.

- ▶ Caution should be exercised here in order to avoid touching heating elements.
- ▶ Young children under 8 years of age must be kept away from the appliance.

Accessories and cookware get very hot.

- ▶ Always use oven gloves to remove accessories or cookware from the cooking compartment.

When the cooking compartment is hot, any alcoholic vapours inside may catch fire. The appliance door may spring open. Hot steam and jets of flame may escape.

- ▶ Only use small quantities of drinks with a high alcohol content in food.
- ▶ Do not heat spirits ($\geq 15\%$ vol.) when undiluted (e.g. for marinating or pouring over food).
- ▶ Open the appliance door carefully.

⚠ WARNING – Risk of scalding!

The accessible parts of the appliance become hot during operation.

- ▶ Never touch these hot parts.
- ▶ Keep children at a safe distance.

Hot steam may escape when you open the appliance door. Steam may not be visible, depending on the temperature.

- ▶ Open the appliance door carefully.
- ▶ Keep children at a safe distance.

If there is water in the cooking compartment when it is hot, this may create hot steam.

- ▶ Never pour water into the cooking compartment when the cooking compartment is hot.

⚠ WARNING – Risk of injury!

Scratched glass in the appliance door may develop into a crack.

- ▶ Do not use any harsh or abrasive cleaners or sharp metal scrapers to clean the glass on the appliance door, as they may scratch the surface.

The hinges on the appliance door move when the door is opened and closed, which could trap your fingers.

- ▶ Keep your hands away from the hinges. Cracks, splinters or breaks in the glass turntable are dangerous.

- ▶ Never allow hard objects to strike the turntable.

- ▶ Handle the turntable with care.

Alcoholic vapours may catch fire in the hot cooking compartment, and the appliance door may spring open and may fall off. The door panels may shatter and fragment.

→ *"Preventing material damage", Page 6*

- ▶ Only use small quantities of drinks with a high alcohol content in food.
- ▶ Do not heat spirits ($\geq 15\%$ vol.) when undiluted (e.g. for marinating or pouring over food).
- ▶ Open the appliance door carefully.

⚠ WARNING – Risk of electric shock!

Improper repairs are dangerous.

- ▶ Repairs to the appliance should only be carried out by trained specialist staff.
- ▶ Only use genuine spare parts when repairing the appliance.
- ▶ If the power cord of this appliance is damaged, it must be replaced by the manufacturer, the manufacturer's Customer Service or a similarly qualified person in order to prevent any risk.

If the insulation of the power cord is damaged, this is dangerous.

- ▶ Never let the power cord come into contact with hot appliance parts or heat sources.
- ▶ Never let the power cord come into contact with sharp points or edges.
- ▶ Never kink, crush or modify the power cord.

An ingress of moisture can cause an electric shock.

- ▶ Do not use steam- or high-pressure cleaners to clean the appliance.

If the appliance or the power cord is damaged, this is dangerous.

- ▶ Never operate a damaged appliance.
- ▶ Never operate an appliance with a cracked or fractured surface.
- ▶ Never pull on the power cord to unplug the appliance. Always unplug the appliance at the mains.
- ▶ If the appliance or the power cord is damaged, immediately unplug the power cord or switch off the fuse in the fuse box.
- ▶ Call customer services. → *Page 16*

⚠ WARNING – Risk of suffocation!

Children may put packaging material over their heads or wrap themselves up in it and suffocate.

- ▶ Keep packaging material away from children.
- ▶ Do not let children play with packaging material.

Children may breathe in or swallow small parts, causing them to suffocate.

- ▶ Keep small parts away from children.
- ▶ Do not let children play with small parts.

1.5 Microwave

CAREFULLY READ THE IMPORTANT SAFETY INSTRUCTIONS AND KEEP THEM SAFE FOR FUTURE USE

⚠ WARNING – Risk of fire!

Using the appliance for anything other than its intended purpose is dangerous and may cause damage. For example, heated slippers and pillows filled with grain or cereal may catch fire, even several hours later.

- ▶ Never dry food or clothing with the appliance.
- ▶ Never heat up slippers, pillows filled with grain or cereal, sponges, damp cleaning cloths or similar with the appliance.
- ▶ The appliance must only be used to prepare food and drink.

Food and its packaging and containers may catch fire.

- ▶ Never heat food in heat-retaining packaging.
- ▶ Do not leave food unattended while it is heating in containers made of plastic, paper or other combustible materials.
- ▶ Never set the microwave power too high or the cooking time too long. Follow the instructions provided in this user manual.

- ▶ Never use the microwave to dry food.
- ▶ Never defrost or heat food with a low water content, such as bread, at too high a microwave power or for too long.

Cooking oil may catch fire.

- ▶ Never use the microwave to heat cooking oil on its own.

⚠ WARNING – Risk of explosion!

Liquids and other food may easily explode when in containers that have been tightly sealed.

- ▶ Never heat liquids or other food in containers that have been tightly sealed.

⚠ WARNING – Risk of burns!

Foods with peel or skin may burst or explode during heating, or even afterwards.

- ▶ Never cook eggs in their shell or heat hard-boiled eggs in their shell.
- ▶ Never cook shellfish or crustaceans.
- ▶ Always prick the yolk of eggs before microwaving.
- ▶ The skin of foods that have a peel or skin, such as apples, tomatoes, potatoes and sausages, may burst. Before heating, prick the peel or skin.

Heat is not distributed evenly through baby food.

- ▶ Never heat baby food in closed containers.
- ▶ Always remove the lid or teat.
- ▶ Stir or shake well after heating.
- ▶ Check the temperature before giving the food or drink to a child.

Heated food gives off heat. The cookware may become hot.

- ▶ Always use oven gloves to remove cookware or accessories from the cooking compartment.

Airtight packaging may burst when food is heated.

- ▶ Always follow the instructions on the packaging.
 - ▶ Always use oven gloves to remove the dishes from the cooking compartment.
- The accessible parts of the appliance become hot during operation.
- ▶ Never touch these hot parts.
 - ▶ Keep children at a safe distance.

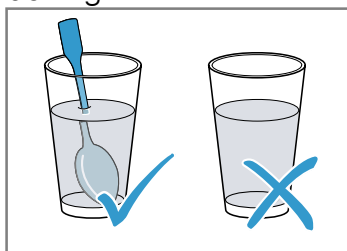
Using the appliance for anything other than its intended purpose is dangerous. This is because, for instance, overheated slippers, pillows filled with grain or cereal, sponges and damp cleaning cloths, etc., may cause burns to the skin.

- ▶ Never dry food or clothing with the appliance.
- ▶ Never heat up slippers, pillows filled with grain or cereal, sponges, damp cleaning cloths or similar with the appliance.
- ▶ The appliance must only be used to prepare food and drink.

⚠ WARNING – Risk of scalding!

There is a possibility of delayed boiling when a liquid is heated. This means that the liquid reaches the boiling temperature without the usual steam bubbles rising to the surface. Exercise caution even when only gently shaking the container. The hot liquid may suddenly boil over and splatter.

- ▶ Always place a spoon in the container when heating liquids. This prevents delayed boiling.



⚠ WARNING – Risk of injury!

Unsuitable cookware may crack. Porcelain or ceramic cookware can have small perforations in the handles and lid. These perforations conceal a cavity below. If moisture penetrates this cavity, it could cause the cookware to crack.

- ▶ Only use microwave-safe cookware.

Cookware and containers made from metal or cookware with metal edging may lead to sparks being formed during simple microwave operation. The appliance is damaged.

- ▶ Never use metal containers during microwave-only operation.
- ▶ Only use microwave-safe cookware or use the microwave in combination with a type of heating.

⚠ WARNING – Risk of electric shock!

The appliance uses a high voltage.

- ▶ Never remove the casing.

⚠ WARNING – Risk of serious harm to health!

Inadequate cleaning may destroy the surface of the appliance, reduce its service life, and lead to dangerous situations, such as escaping microwave energy.

- ▶ Clean the appliance on a regular basis, and remove any food residue immediately.
- ▶ Always keep the cooking compartment, door and door stop clean.
→ "Cleaning and servicing", Page 13

Never operate the appliance if the cooking compartment door is damaged. Microwave energy may escape.

- ▶ Never use the appliance if the cooking compartment door or the plastic door frame is damaged.
- ▶ Any repair work must only be carried out by customer service.

Microwave energy will escape from appliances that do not have any casing.

- ▶ Never remove the casing.
- ▶ For any maintenance or repair work, contact the customer service.

2 Preventing material damage

2.1 General

ATTENTION!

Alcoholic vapours may catch fire in the hot cooking compartment and cause permanent damage to the appliance. The appliance door may spring open due to an explosion and it may fall off. The door panels may shatter and fragment. Due to the resulting negative pressure, the cooking compartment may become considerably deformed inwards.

- ▶ Do not heat spirits ($\geq 15\%$ vol.) when undiluted (e.g. for marinating or pouring over food).

When the cooking compartment is hot, any water inside it will create steam. The change in temperature may cause damage.

- ▶ Never pour water into the cooking compartment when it is still hot.

The prolonged presence of moisture in the cooking compartment leads to corrosion.

- ▶ Always wipe away the condensation after cooking. Always allow the cooking compartment to cool down with the door closed after cooking at high temperatures.
- ▶ Do not keep moist food in the cooking compartment for a long time with the door closed.
- ▶ Do not store food in the cooking compartment.
- ▶ Take care not to trap anything in the appliance door.

Sitting or placing objects on the appliance door may damage it.

- ▶ Do not place, hang or support objects on the appliance door.

2.2 Microwave

Follow these instructions when using the microwave.

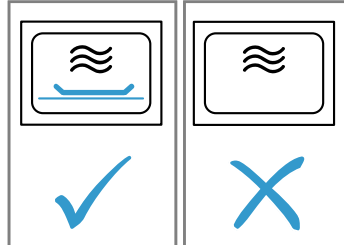
ATTENTION!

Metal touching the wall of the cooking compartment will cause sparks, which may damage the appliance or the inner door pane.

- ▶ Metal (e.g. a spoon in a glass) must be kept at least 2 cm from the cooking compartment walls and the inside of the door.

Placing aluminium containers in the appliance may cause sparks, which will damage the appliance.

- ▶ Do not use aluminium containers in the appliance. Operating the appliance without food in the cooking compartment may lead to overloading.
- ▶ Do not switch on the microwave unless there is food inside. The only exception to this rule is when performing a short cookware test.



If you prepare several bags of microwave popcorn in immediate succession at a microwave power level that is too high, the cooking compartment may be damaged.

- ▶ Leave the appliance to cool down for several minutes between each use.
- ▶ Never set a microwave power level that is too high.
- ▶ Use a maximum microwave output of 600 watts.
- ▶ Always place the popcorn bag on a glass plate. The microwave feed is damaged by the removal of the cover.
- ▶ Never remove the cover of the microwave feed in the cooking compartment.

Removing the transparent film from the inside of the door damages the appliance door.

- ▶ Never remove the transparent film on the inside of the door.

Liquid that penetrates the interior of the appliance may damage the turntable drive.

- ▶ Monitor the cooking process.
- ▶ Set a shorter cooking time first and, if necessary, increase the cooking time.
- ▶ Never use the appliance without the turntable.

Using unsuitable cookware may result in damage.

- ▶ When using the grill or the microwave combined operation, only use cookware that can withstand high temperatures.

3 Environmental protection and saving energy

3.1 Disposing of packaging

The packaging materials are environmentally compatible and can be recycled.

- ▶ Sort the individual components by type and dispose of them separately.

3.2 Saving energy

If you follow these instructions, your appliance will use less power.

Open the appliance door as little as possible during operation.

- This will maintain the temperature in the cooking compartment and eliminate the need for the appliance to reheat.

Hide the clock in standby mode.

- The appliance saves energy in standby mode.

Note:

The appliance requires:

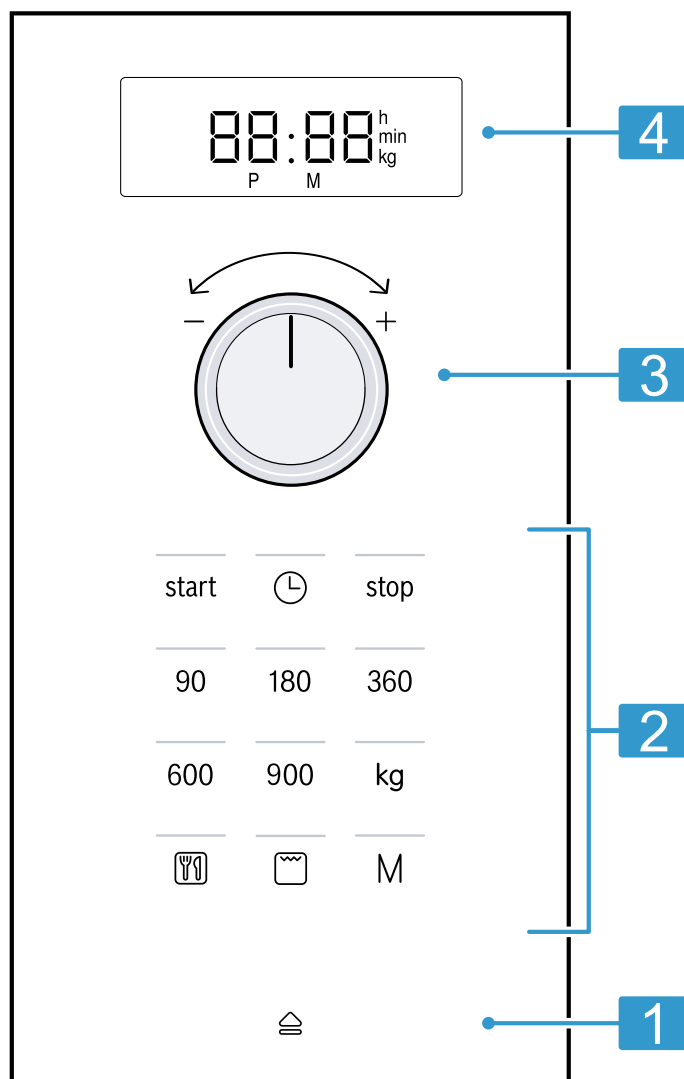
- A maximum of 1 W when the appliance is in operation with the display switched on
- A maximum of 0.5 W when the appliance is in operation with the display switched off

4 Familiarising yourself with your appliance

4.1 Control panel

You can use the control panel to configure all functions of your appliance and to obtain information about the operating status.

Note: On certain models, specific details such as colour and shape may differ from those pictured.



1	Automatic door opener	Open the door automatically.
2	Touch fields	Select functions.
3	Rotary selector	Set the time, cooking time or automatic programmes.
4	Display	Display clock or cooking time.

Touch fields

Touch fields are touch-sensitive surfaces. To select a function, touch the relevant field.

90–900	Select the microwave power in watts.
	Select the automatic programmes.
kg	Select the weight for the programmes.
	Select the grill.
	Set or display the time.
start	Start the operation.
M	Select "Memory".

stop	Stop or pause the operation.
	Open the appliance door.

Rotary selector

Use the rotary selector to change the setting values that are shown on the display.

The rotary selector can be pushed in. To engage or release the rotary selector, push the rotary selector.

Automatic door opener

When you press the automatic door opener, the appliance door springs open. You can fully open the appliance door manually.


Notes

- In the event of a power cut, the automatic door opener does not work. You can open the door manually.
- If you open the appliance door during operation, this pauses the operation.

- When you close the appliance door, the operation does not continue automatically. You must restart the operation.
- If the appliance is switched off for an extended period of time, the appliance door opens with a time delay.

4.2 Types of heating

Here you can find an overview of the types of heating. You can find recommendations on using the types of heating.

Symbol	Name	Use
90-900	Microwave	Defrosting, cooking or heating food and liquids.
	Grill	Gratinate food.
	Microwave combined operation	<ul style="list-style-type: none"> ■ Bake bakes and gratins. ■ Brown dishes.

4.3 Cooling fan

The cooling fan switches on and off as required. The cooking compartment remains cold during microwave operation. Despite this, the cooling fan will still switch on.

Note: The cooling fan may run on even if the oven has been switched off.

4.4 Condensation

Condensation can occur in the cooking compartment and on the appliance door when cooking. Condensation is normal and does not adversely affect appliance operation. Wipe away the condensation after cooking.

5 Accessories

Use original accessories. These have been made especially for your appliance. The accessories supplied may differ depending on the appliance model.

Accessories	Use
Wire rack	<ul style="list-style-type: none"> ■ Wire rack for grilling and browning ■ Use the wire rack and place the cookware on it




6 Before using for the first time

Configure the settings for initial start-up. Clean the appliance and accessories.

6.1 Initial configuration

Configure the settings for initial start-up. Clean the appliance and accessories.

Note: After connecting the appliance to the power or following a power cut, a signal sounds and several zeros are shown on the display. It may take a few seconds until a signal sounds and you can set the time.

1. Press .
- ✓ 12:00 is shown on the display. The indicator light lights up via .
2. Set the clock using the rotary selector.
3. Press .

6.2 Cleaning the appliance before using it for the first time

Clean the cooking compartment and accessories before using the appliance to prepare food for the first time.


1. Make sure that there is no leftover packaging, accessories or other objects in the cooking compartment.
2. Clean the smooth surfaces in the cooking compartment with a soft, damp cloth.
3. To eliminate the new-appliance smell, wipe the empty cooking compartment with hot soapy water. → "Cleaning the cooking compartment", Page 14

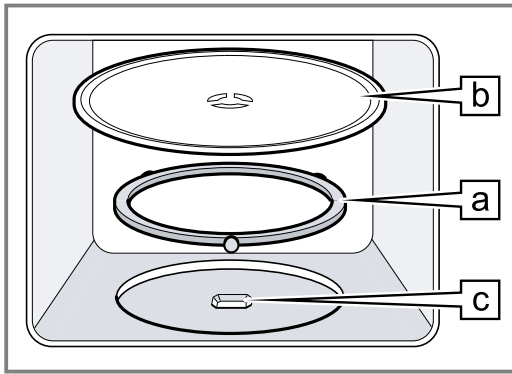
6.3 Cleaning the accessories

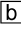

- ▶ Clean the accessory thoroughly with soapy water and a soft dish cloth.

6.4 Fitting the turntable

Never use the appliance without the turntable.

1. Place the roller ring  into the recess in the cooking compartment.



2. Engage the turntable  in the drive  in the centre of the cooking compartment floor.
3. Check whether the turntable is correctly engaged.

Note: The turntable can turn anti-clockwise or clockwise.

7 Basic operation

7.1 Microwave power settings

This is where you can find an overview of the different microwave output settings and recommendations on when to use them.

Microwave output in watts	Use
90	Defrost delicate foods.
180	Defrost food and continue cooking.
360	Cook meat and fish or heat delicate foods.
600	Heat and cook food.
900	Heat liquids.

Note:

You can set the microwave power settings for a particular cooking time:

- 900 W for 30 minutes
- 600 W for 60 minutes
- 90 W, 360 W, 180 W for 99 minutes

7.2 Microwave-safe cookware and accessories

To heat food evenly and avoid damaging your appliance, it is important to use the right cookware and accessories.

Note: Read the manufacturer's instructions before using any cookware in the microwave. If in doubt, carry out a cookware test.

Microwave-safe

Cookware and accessories	Reason
Cookware made from heat-resistant, microwave-safe material: <ul style="list-style-type: none"> ■ Glass ■ Glass ceramic ■ Porcelain ■ Temperature-resistant plastic ■ Fully glazed ceramic without cracks 	These materials allow microwaves to pass through. Microwaves do not damage heat-resistant cookware.
Metal cutlery	Note: You can use metal cutlery, e.g. place a spoon in a glass, to prevent delayed boiling.

ATTENTION!

Metal touching the wall of the cooking compartment will cause sparks, which may damage the appliance or the inner door pane.

- ▶ Metal (e.g. a spoon in a glass) must be kept at least 2 cm from the cooking compartment walls and the inside of the door.

Not microwave-safe

Cookware and accessories	Reason
Metal cookware	Metal does not allow microwaves to pass through. The food hardly heats up.
Cookware with gold or silver decoration	Microwaves can damage gold and silver decoration. Tip: You can only use this kind of cookware if the manufacturer guarantees that it is microwave-safe.

7.3 Testing cookware for microwave suitability

Test cookware to see whether it is suitable for microwave use. Testing cookware is the only time the appliance should be operated in microwave mode without any food inside.

⚠ WARNING – Risk of scalding!

The accessible parts of the appliance become hot during operation.

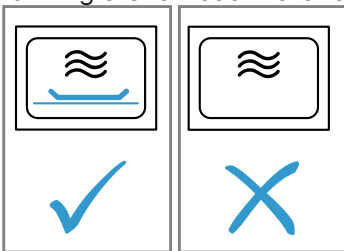
- ▶ Never touch these hot parts.
 - ▶ Keep children at a safe distance.
1. Place the empty cookware in the cooking compartment.
 2. Set the appliance to the maximum microwave power setting for 30 seconds to 1 minute.
 3. Start the operation.
 4. Check the cookware several times:
 - If the cookware is cold or warm to the touch, it is suitable for microwave use.
 - If the cookware becomes hot or sparks are created, stop the cookware test. The cookware is not microwave-safe.

7.4 Configuring the microwave settings

ATTENTION!

Operating the appliance without food in the cooking compartment may lead to overloading.

- ▶ Do not switch on the microwave unless there is food inside. The only exception to this rule is when performing a short cookware test.



Tip: To ensure optimum use of your appliance, you can refer to the information in the recommended settings. → "How it works", Page 17

1. Follow the safety instructions. → Page 4
2. Read the safety instructions and the section on how to prevent material damage. → Page 6
3. Read the information on microwave-safe cookware and accessories. → Page 9
4. Use the buttons to set the required microwave power setting.
5. Use the rotary selector to set the required duration.

Note: If you open the cooking compartment door during operation, the microwave interrupts the operation and pauses the set time that is counting down. When you close the cooking compartment door, the operation continues.

7.5 Changing the cooking time

You can change the cooking time at any time.

- ▶ Use the rotary selector to set the required duration.

7.6 Pausing operation

1. Press **stop** or open the appliance door.
 - ✓ The indicator light lights up via **start**.
2. To continue the operation, close the appliance door and press **start**.



7.7 Cancelling the operation

- ▶ Press **stop** twice or open the door and press **stop** once.

8 Grill

You can brown or gratinate your food using the grill. You can use the grill on its own or in combination with the microwave.

8.1 Setting the grill

1. Press .
 - ✓ The indicator lamp above  lights up and the display shows 10:00 min.
2. Use the rotary selector to set the required duration.

8.2 Changing the cooking time

You can change the cooking time at any time.

- ▶ Use the rotary selector to set the required duration.

8.3 Pausing operation

1. Press **stop** or open the appliance door.
 - ✓ The indicator light lights up via **start**.

2. To continue the operation, close the appliance door and press **start**.


8.4 Cancelling the operation

- ▶ Press **stop** twice or open the door and press **stop** once.

8.5 MicroCombi

To reduce the cooking time, you can use the grill in combination with microwave mode.

Setting MicroCombi

1. Press the microwave power setting 90, 180 or 360.
 - ✓ The indicator lamp above the pressed button lights up and the display shows 1:00 min.
2. Press .
3. Use the rotary selector to set the required duration.

Note: If you open the cooking compartment door during operation, the microwave interrupts the operation and pauses the set time that is counting down. When you close the cooking compartment door, the operation continues.

9 Memory

You can use the memory function to save the setting for a dish and call it up again at any time.

Tip: If you prepare one dish often, use the memory function.

9.1 Saving memory settings

Note:

- You cannot save several microwave power settings in succession.
 - You cannot save any automatic programmes.
1. Press **M**.
 - ✓ The indicator light lights up via **M**.
 2. Use the buttons to set the required microwave power setting.
 - ✓ The indicator lamp above the button lights up and the display shows 1:00 min.
 3. Use the rotary selector to set the required duration.
 4. If required, select one of the options:
 - To save the memory and immediately start, press **start**.

- To save the memory and not start, press **M**.

- ✓ If the appliance does not start, the time appears on the display and the appliance saves the setting.

9.2 Starting the memory

It is very easy to start the saved programme. Place your dish in the appliance and close the appliance door.

1. Press **M**.
 - ✓ The saved settings are displayed.
2. Press **start**.

9.3 Pausing operation

1. Press **stop** or open the appliance door.
 - ✓ The indicator light lights up via **start**.
2. To continue the operation, close the appliance door and press **start**.

9.4 Cancelling the operation

- ▶ Press **stop** twice or open the door and press **stop** once.

10 Programmes

The programmes help you to use your appliance to prepare different dishes by selecting the optimum settings automatically.

10.1 Setting a programme

1. Select a programme.
2. Press **⏸** repeatedly until the display shows the required programme number.
 - ✓ The indicator light lights up via **⏸**.
3. Press **kg**.
 - ✓ The indicator lamp above **kg** lights up and the display shows a suggested value for the weight.
4. Turn the rotary selector to specify the weight of the dish.
 - If it is not possible to enter the exact weight, round the weight up or down.

5. Press **start** to start the operation.
 - ✓ The cooking time visibly counts down.
6. If an audible signal sounds during the programme, open the appliance door.
 - Break up, stir or turn the food.
 - Close the appliance door.
 - Press **start**.

10.2 Pausing operation

1. Press **stop** or open the appliance door.
 - ✓ The indicator light lights up via **start**.
2. To continue the operation, close the appliance door and press **start**.

10.3 Cancelling the operation

- ▶ Press **stop** twice or open the door and press **stop** once.

10.4 Defrosting with the automatic programmes

You can use the four defrosting programmes to defrost meat, poultry and bread.

Programme	Food	Cookware	Weight range in kg
P01	Minced meat	Open	0.20–1.00

Programme	Food	Cookware	Weight range in kg
P02	Pieces of meat	Open	0.20–1.00
P03	Chicken, chicken pieces	Open	0.40–1.80
P04	Bread	Open	0.20–1.00

Defrosting food using the automatic programmes

1. Take the food out of its packaging.
Use food that is stored flat and in portion-sized quantities at -18 °C.
2. Weigh the food.
You require the weight in order to set the programme.
3. Place the food in a microwaveable shallow dish, e.g. a glass plate or porcelain plate.
Do not put the cover on.
4. Set the programme. → Page 11
5. **Note:** Liquid is produced when you defrost meat and poultry.
Drain off any liquid when turning and under no circumstances use it for other purposes or allow it to come into contact with other foods.
6. Flat pieces of meat and items made from minced meat should be separated from each other before leaving to stand.
7. The defrosted food should be left to stand for an additional 10 to 30 minutes until it reaches an even temperature.
Large pieces of meat require a longer standing time than smaller pieces. For poultry, remove the giblets after the resting time.
8. Continue to prepare the food, even though thick pieces of meat may still be frozen in the middle.

10.5 Cooking with the automatic programmes

With the three cooking programmes, you can cook rice, potatoes or vegetables.

Programme	Food	Cookware	Weight range in kg	Information
P05	Rice	With lid	0.05–0.20	<ul style="list-style-type: none"> ■ For rice, use a large, deep dish. ■ Do not use any boil-in-the-bag rice. ■ For every 100 g rice, add twice to three times the amount of water.
P06	Potatoes	With lid	0.15–1.00	<ul style="list-style-type: none"> ■ For boiled potatoes, cut fresh potatoes into small, equally sized pieces. ■ Add one tablespoon of water and a little salt for every 100 g boiled potatoes.
P07	Vegetables	With lid	0.15–1.00	<ul style="list-style-type: none"> ■ Weigh fresh, washed vegetables scales. ■ Cut the vegetables into small, uniform pieces. ■ Add one tablespoon of water for every 100 g boiled potatoes.

Cooking food with the automatic programmes

1. Weigh the food.
You require the weight in order to set the programme.
2. Place the food on microwave-safe cookware and cover with a lid.
3. Add the volume of water in accordance with the manufacturer's instructions on the packaging.
4. Set the programme. → Page 11
5. Once the programme has finished, stir the food again.
6. The food should be left to stand for an additional 5 to 10 minutes until it reaches a uniform temperature.
The cooking results are dependent on the food quality and consistency of the food.

10.6 Combi-cooking programme

With the combi cooking programme, you combine microwave and grill.

Programme	Food	Cookware	Weight range in kg
P08	Frozen bake, up to 3 cm deep	Open	0.40–0.90

Cooking food using the combi cooking programme

1. Take the food out of its packaging.
2. Weigh the food.
You require the weight in order to set the programme.

3. Place the food in microwave-safe, heat-resistant cookware that is not too big.
4. Set the programme. → Page 11
5. Once the programme has finished, leave the food to rest for another 5–10 minutes to allow the temperature to even out.

11 Basic settings

You can configure the basic settings for your appliance to meet your needs.

11.1 Overview of the basic settings

Here you can find an overview of the basic settings and factory settings. The basic settings depend on the features of your appliance.

Setting	Selection	Meaning
1 Button tone	<ul style="list-style-type: none"> ■ 0n¹ ■ OFF 	Switch the button tone on and off. Note: The button tone remains active for start and stop.
2 Demo mode	d E 0	Activate or deactivate demo mode. Note: The appliance is switched off. You can use the buttons and the display; the buttons do not work. Demo mode is mainly useful for dealers.

¹ Factory setting (may vary according to model)

11.2 Changing basic settings

Requirement: The appliance is switched off.

1. Press and hold start and stop for a few seconds.
 - ✓ The display shows the first basic setting.
2. Press start.
 - ✓ The current value flashes on the display.
3. Set the desired value with the rotary selector.
4. To accept the basic setting, press start.
5. To exit the basic setting, press stop.
6. Use the rotary selector to change to the basic setting 2.
7. To edit the basic setting, press start.
 - ✓ The selected setting lights up on the display.
8. Set the desired value with the rotary selector.
9. To accept the basic setting, press start.
10. To exit the basic setting, press stop.
11. To exit the basic settings menu, press stop again.

Tip: The setting can be changed at any time.

11.3 Changing the signal duration

When your appliance is switched off, you hear an audible signal. You can change the duration of the signal.

- ▶ Press and hold start for approx. six seconds.
- ✓ The signal duration switches between short and long.
- ✓ The appliance applies the signal duration and displays the time.

11.4 Setting the time

Note: After connecting the appliance to the power or following a power cut, a signal sounds and several zeros are shown on the display. It may take a few seconds until a signal sounds and you can set the time.

1. Press ☰.
- ✓ 12:00 is shown on the display. The indicator light lights up via ☰.
2. Set the clock using the rotary selector.
3. Press ☰.

11.5 Hiding the clock

To reduce the standby consumption of your appliance, you can hide the clock.

1. Press ☰.
2. Press stop.
 - To view the clock, press ☰ again.

12 Cleaning and servicing

To keep your appliance working efficiently for a long time, it is important to clean and maintain it carefully.

12.1 Cleaning products

Only use suitable cleaning agents.

WARNING – Risk of electric shock!

An ingress of moisture can cause an electric shock.

- ▶ Do not use steam- or high-pressure cleaners to clean the appliance.

ATTENTION!

Unsuitable cleaning agents damage the surfaces of the appliance.

- ▶ Do not use harsh or abrasive cleaning products.

- ▶ Do not use cleaning products with a high alcohol content.
- ▶ Do not use hard scouring pads or cleaning sponges.
- ▶ Do not use any special cleaners for cleaning the appliance while it is hot.
- ▶ Only use glass cleaners, glass scrapers or stainless steel care products if recommended in the cleaning instructions for the relevant part.

New sponge cloths contain residues from production.

- ▶ Wash new sponge cloths thoroughly before use.

You can find out which cleaning products are suitable for each surface or part of the appliance in the individual cleaning instructions.

12.2 Cleaning the appliance

Clean the appliance as specified. This will ensure that the different parts and surfaces of the appliance are not damaged by incorrect cleaning or unsuitable cleaning products.

WARNING – Risk of burns!

The appliance and its parts that can be touched become hot during use.

- ▶ Caution should be exercised here in order to avoid touching heating elements.
- ▶ Young children under 8 years of age must be kept away from the appliance.

WARNING – Risk of fire!

Loose food remnants, fat and meat juices may catch fire.

- ▶ Before using the appliance, remove the worst of the food residues and remnants from the cooking compartment, heating elements and accessories.

WARNING – Risk of injury!

Scratched glass in the appliance door may develop into a crack.

- ▶ Do not use any harsh or abrasive cleaners or sharp metal scrapers to clean the glass on the appliance door, as they may scratch the surface.

1. Read the information on cleaning products.
→ Page 13
2. Observe the information on cleaning the appliance components or surfaces.
3. Unless otherwise specified:
 - Clean the components of the appliance with hot soapy water and a dish cloth.
 - Dry with a soft cloth.

12.3 Cleaning the cooking compartment

ATTENTION!

Incorrect cleaning may damage the cooking compartment.

- ▶ Do not use oven spray, abrasive materials or other aggressive oven cleaners.

1. Read the information on cleaning products.
→ Page 13
2. Clean with hot soapy water or a vinegar solution.
3. Use oven cleaner to remove very heavy soiling.
Only use oven cleaner when the cooking compartment is cold.

Tip: To eliminate unpleasant odours, heat up a cup of water with a few drops of lemon juice for 1 to 2 minutes at maximum microwave power setting. Always place a spoon in the container to prevent delayed boiling.

4. Wipe out the cooking compartment with a soft cloth.
5. Leave the cooking compartment to dry with the door open.

Cleaning the turntable

1. Read the information on cleaning products.
→ Page 13
2. Remove the turntable.
3. Clean the turntable with hot soapy water and a soft dish cloth.
4. Dry with a soft cloth.
5. Reinsert the turntable.
Ensure that the turntable engages correctly.

12.4 Cleaning the front of the appliance

ATTENTION!

Incorrect cleaning may damage the front of the appliance.

- ▶ Do not use glass cleaner, metal scrapers or glass scrapers for cleaning.
- ▶ To prevent corrosion on stainless steel fronts, remove any limescale, grease, starch and albumin (e.g. egg white) stains immediately.
- ▶ On stainless steel surfaces, use special stainless steel cleaning products suitable for hot surfaces.

1. Read the information on cleaning products.
→ Page 13
2. Clean the front of the appliance using hot soapy water and a dish cloth.

Note: Slight differences in colour on the front of the appliance are caused by the use of different materials, such as glass, plastic and metal.

3. For stainless steel appliance fronts, apply a thin layer of the stainless steel cleaning product with a soft cloth.
You can obtain the stainless steel cleaning products from the after-sales service or the online shop.
4. Dry with a soft cloth.

12.5 Cleaning the control panel

ATTENTION!

Incorrect cleaning may damage the control panel.

- ▶ Never wipe the control panel with a wet cloth.

1. Read the information on cleaning products.
→ Page 13
2. Clean the control panel using a microfibre cloth or a soft, damp cloth.
3. Dry with a soft cloth.

12.6 Cleaning the accessories

1. Read the information on cleaning products.
→ Page 13
2. Soften baked-on food remnants with a damp dish cloth and hot soapy water.
3. Clean the accessory with hot soapy water and a soft dish cloth or a scrubbing brush.
4. Clean the wire rack with stainless steel cleaner or in the dishwasher.

Use steel wool or oven cleaner to remove very heavy soiling.

- 5. Dry with a soft cloth.

12.7 Cleaning the door panels

ATTENTION!

Incorrect cleaning may damage the door panes.

- ▶ Do not use a glass scraper.
- 1. Read the information on cleaning products.
→ *Page 13*
- 2. Clean the door panels with a soft dish cloth and glass cleaner.

Note: Shadows on the door panels, which look like streaks, are caused by reflections made by the interior lighting.

- 3. Dry with a soft cloth.

12.8 Cleaning aid

The cleaning aid is a quick alternative for occasionally cleaning the cooking compartment. The cleaning aid softens dirt by vaporising the soapy water. The dirt can then be removed more easily.

Setting the cleaning function

1. Add a few drops of washing-up liquid to a cup of water.
2. Place a spoon in the cup to prevent delayed boiling.
3. Place the cup in the centre of the cooking compartment.
4. Set the microwave power setting to 600 W.
5. Set the cooking time to 3 minutes.
6. Start the microwave.
7. Once the duration has elapsed, keep the door closed for a further three minutes.
8. Wipe out the cooking compartment with a soft cloth.
9. Leave the cooking compartment to dry with the door open.

13 Troubleshooting

You can rectify minor faults on your appliance yourself. Read the troubleshooting information before contacting after-sales service. This will avoid unnecessary costs.

WARNING – Risk of injury!

Improper repairs are dangerous.

- ▶ Repairs to the appliance should only be carried out by trained specialist staff.
- ▶ If the appliance is defective, call Customer Service.
→ *"Customer Service", Page 16*

WARNING – Risk of electric shock!

Improper repairs are dangerous.

- ▶ Repairs to the appliance should only be carried out by trained specialist staff.
- ▶ Only use genuine spare parts when repairing the appliance.
- ▶ If the power cord of this appliance is damaged, it must be replaced by the manufacturer, the manufacturer's Customer Service or a similarly qualified person in order to prevent any risk.

13.1 Malfunctions

Fault	Cause and troubleshooting
The appliance is not working.	The mains plug of the power cord is not plugged in. ▶ Connect the appliance to the power supply.
	The circuit breaker in the fuse box has tripped. ▶ Check the circuit breaker in the fuse box.
	There has been a power cut. ▶ Check whether the lighting in your room or other appliances are working.
Food takes longer than usual to heat up.	Malfunction 1. Switch off the fuse in the fuse box. 2. Switch the fuse back on after approx. 10 seconds. ✓ If the fault was a one-off, the message disappears. 3. If the message appears again, call the after-sales service. Please specify the exact error message when calling. → <i>"Customer Service", Page 16</i>
	Door is not fully closed. ▶ Check whether food remains or foreign material are trapped in the door.
	The microwave power setting is set too low. ▶ Set a higher microwave power setting. → <i>Page 10</i>
	A larger amount than usual has been placed in the appliance. ▶ Set a longer cooking time. You need double the time when you have double the amount.

Fault	Cause and troubleshooting
Food takes longer than usual to heat up.	The food is colder than usual. ▶ Turn or stir the food from time to time during cooking.
Turntable grates or grinds.	There is dirt or foreign objects in the area of the turntable drive. ▶ Clean the roller ring and recess in the cooking compartment.
Microwave mode is cancelled.	Appliance has a fault. ▶ If this fault recurs, call the after-sales service.
The appliance is not in operation. A cooking time is shown in the display.	The settings area has been activated accidentally. ▶ Press stop. start was not pressed after the setting was implemented. ▶ Press start or delete the setting by pressing stop.
Three zeros flash on the display.	There has been a power cut. ▶ Reset the time. → "Initial configuration", Page 8
An M is shown on the display.	Demo mode is activated. ▶ Deactivate the demo mode. → "Basic settings", Page 13
The message E 3 appears on the display.	Fault in the automatic door opening system. 1. Switch off the appliance. 2. Wait for 10 minutes. 3. Switch the appliance on again. ▶ If this fault recurs, call the after-sales service.

14 Disposal

14.1 Disposing of old appliance

Valuable raw materials can be reused by recycling.

1. Unplug the appliance from the mains.
2. Cut through the power cord.
3. Dispose of the appliance in an environmentally friendly manner.
Information about current disposal methods are available from your specialist dealer or local authority.



This appliance is labelled in accordance with European Directive 2012/19/EU concerning used electrical and electronic appliances (waste electrical and electronic equipment - WEEE).
The guideline determines the framework for the return and recycling of used appliances as applicable throughout the EU.

15 Customer Service

Detailed information on the warranty period and terms of warranty in your country is available from our after-sales service, your retailer or on our website.

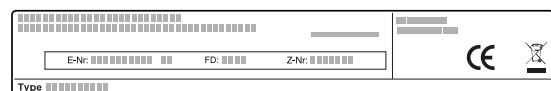
If you contact Customer Service, you will require the product number (E-Nr.) and the production number (FD) of your appliance.

The contact details for Customer Service can be found in the enclosed Customer Service directory or on our website.

This product contains light sources from energy efficiency class G. These light sources are available as a spare part and should only be replaced by trained specialist staff.

15.1 Product number (E-Nr.) and production number (FD)

You can find the product number (E-Nr.) and the production number (FD) on the appliance's rating plate. You will see the rating plate with these numbers if you open the appliance door.



Make a note of your appliance's details and the Customer Service telephone number to find them again quickly.

16 How it works

Here, you can find the ideal settings for various dishes as well as the best accessories and cookware. We have tailored these recommendations to your appliance.

16.1 What is the best way to proceed?

In this section, you will find out the best way to proceed using step-by-step instructions to make optimal use of the recommended settings. You will get information on many meals, with details and tips on how to best use and set your appliance.

Note:

- The recommended settings always apply to the cooking compartment when it is cold and empty.
- The times specified in the overviews are intended as a guide only. They will depend on the quality and composition of the food.

WARNING – Risk of burns!

Foods with peel or skin may burst or explode during heating, or even afterwards.

- ▶ Never cook eggs in their shell or heat hard-boiled eggs in their shell.
- ▶ Never cook shellfish or crustaceans.
- ▶ Always prick the yolk of eggs before microwaving.
- ▶ The skin of foods that have a peel or skin, such as apples, tomatoes, potatoes and sausages, may burst. Before heating, prick the peel or skin.

Heated food gives off heat. The cookware may become hot.

- ▶ Always use oven gloves to remove cookware or accessories from the cooking compartment.
1. Before using the appliance, remove all unnecessary cookware from the cooking compartment.
 2. Select the desired food from the recommended settings.
 3. Add the food to a suitable tableware.
→ *"Microwave-safe cookware and accessories"*, Page 9
 4. Always place the cookware on the turntable.
 5. Use the recommended settings when configuring the appliance settings.
Set the shorter cooking time first. If necessary, increase the cooking time. If two microwave power settings and times are specified in the tables, set the first microwave power setting and cooking time first and, after the signal, set the second.
If you want to cook quantities that deviate from those specified in the tables, set approximately double the time for double the amount.
 6. Use an oven cloth or oven gloves when taking hot cookware out of the cooking compartment.

16.2 Tips for defrosting and heating

Follow these tips for good results when defrosting and heating.

Issue	Tip
The food should be defrosted, hot or cooked once the time has elapsed.	Set a longer cooking time. Larger quantities and food which is piled high require longer times.
Once the time has elapsed, the food should not be overheated at the edge and cooked in the middle.	<ul style="list-style-type: none"> ▪ Stir the food occasionally. ▪ Set a lower microwave power setting and a longer cooking time.
After defrosting, poultry or meat should not be defrosted on the outside only but still frozen in the middle.	<ul style="list-style-type: none"> ▪ Set a lower microwave power setting. ▪ If you are defrosting a large quantity, turn it several times.
The food should not be too dry.	<ul style="list-style-type: none"> ▪ Set a lower microwave power setting. ▪ Set a shorter cooking time. ▪ Cover the food. ▪ Add more liquid.

16.3 Defrosting

With your appliance you can defrost frozen food.

Defrosting food

1. Place the frozen food in an open container on the turntable.
Delicate parts, such as the legs and wings of chicken or fatty outer layers of roasts, can be covered with small pieces of aluminium foil. The foil must not touch the sides of the cooking compartment.
2. Start the operation.
You can remove the foil halfway through the defrosting time.
3. **Note:** Liquid is produced when you defrost meat and poultry.
Drain off any liquid when turning and under no circumstances use it for other purposes or allow it to come into contact with other foods.
4. Redistribute the food or turn it once or twice as it defrosts.
Turn large pieces of food several times.
5. To even out the temperature, leave the defrosted food to stand at room temperature for approx. 10–20 minutes.
You can remove the giblets from poultry at this point. You can continue to cook the meat even if a small section of it is still frozen in the centre.

Defrosting with the microwave

Observe the recommended settings for using the microwave to defrost frozen food.

Food	Weight in g	Microwave power setting in W	Cooking time in mins
Whole pieces of beef, veal or pork (on the bone or boned)	800	1. 180 2. 90	1. 15 2. 10–20
Whole pieces of beef, veal or pork (on the bone or boned)	1000	1. 180 2. 90	1. 20 2. 15–25
Whole pieces of beef, veal or pork (on the bone or boned)	1500	1. 180 2. 90	1. 30 2. 20–30
Meat in pieces or slices of beef, veal or pork	200	1. 180 2. 90	1. 2 ¹ 2. 4–6
Meat in pieces or slices of beef, veal or pork	500	1. 180 2. 90	1. 5 ¹ 2. 5–10
Meat in pieces or slices of beef, veal or pork	800	1. 180 2. 90	1. 8 ¹ 2. 10–15
Minced meat, mixed ^{2,3}	200	90	10 ⁴
Minced meat, mixed ^{2,3}	500	1. 180 2. 90	1. 5 ⁴ 2. 10–15
Minced meat, mixed ^{2,3}	800	1. 180 2. 90	1. 8 ⁴ 2. 10–20
Poultry or poultry portions ⁵	600	1. 180 2. 90	1. 8 2. 10–20
Poultry or poultry portions ⁵	1200	1. 180 2. 90	1. 15 2. 10–20
Fish fillet, fish steak or fish slices ⁵	400	1. 180 2. 90	1. 5 2. 10–15
Vegetables, e.g. peas	300	180	10–15
Fruit, e.g. raspberries ⁵	300	180	7–10 ⁶
Fruit, e.g. raspberries ⁵	500	1. 180 2. 90	1. 8 ⁶ 2. 5–10
Butter, defrosting ⁷	125	1. 180 2. 90	1. 1 2. 2–3
Butter, defrosting ⁷	250	1. 180 2. 90	1. 1 2. 3–4
Loaf of bread	500	1. 180 2. 90	1. 6 2. 5–10
Loaf of bread	1000	1. 180 2. 90	1. 12 2. 10–20
Cakes, plain, e.g. sponge cake ^{8,9}	500	90	10–15
Cakes, plain, e.g. sponge cake ^{8,9}	750	1. 180 2. 90	1. 5 2. 10–15
Cakes, moist, e.g. fruit flan, cheesecake ⁸	500	1. 180 2. 90	1. 5 2. 15–20
Cakes, moist, e.g. fruit flan, cheesecake ⁸	750	1. 180 2. 90	1. 7 2. 15–20

¹ Separate any defrosted parts when turning.

² Freeze the food flat.

³ Remove any meat that has already defrosted.

⁴ Turn the food several times.

⁵ Separate any defrosted parts.

⁶ Carefully stir the food occasionally.

⁷ Remove all packaging.

⁸ Only defrost cakes without icing, whipped cream, gelatine or custard.

⁹ Separate the pieces of cake.

16.4 Heating

With your appliance you can heat food.

Heating food

⚠ WARNING – Risk of burns!

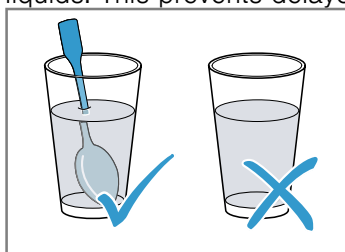
Heated food gives off heat. The cookware may become hot.

- ▶ Always use oven gloves to remove cookware or accessories from the cooking compartment.

⚠ WARNING – Risk of scalding!

There is a possibility of delayed boiling when a liquid is heated. This means that the liquid reaches the boiling temperature without the usual steam bubbles rising to the surface. Exercise caution even when only gently shaking the container. The hot liquid may suddenly boil over and splatter.

- ▶ Always place a spoon in the container when heating liquids. This prevents delayed boiling.



ATTENTION!

Metal touching the wall of the cooking compartment will cause sparks, which may damage the appliance or the inner door pane.

- ▶ Metal (e.g. a spoon in a glass) must be kept at least 2 cm from the cooking compartment walls and the inside of the door.
1. Take ready meals out of the packaging and place in microwave-safe cookware.
 2. Distribute the food flat in the cookware.
 3. Cover the food with a suitable lid, a plate or special microwave foil.
 4. Start the operation.
 5. Turn or stir the food several times during cooking. The speed at which different components of the meal heat up may vary.
 6. Check the temperature.
 7. To even out the temperature, leave the heated food to stand at room temperature for approx. 2–5 minutes.

Heating frozen food in the microwave

Observe the recommended settings for using the microwave to heat frozen food.

Food	Weight in g	Microwave power setting in W	Cooking time in mins
Set menu, plated meal, ready meal with 2–3 components	300–400	600	8–11
Soup	400	600	8–10
Stew	500	600	10–13
Slices or pieces of meat in sauce, e.g. goulash	500	600	12–17 ¹
Bakes, e.g. lasagne, cannelloni	450	600	10–15
Side dishes, e.g. rice, pasta ²	250	600	2–5
Side dishes, e.g. rice, pasta ²	500	600	8–10
Vegetables, e.g. peas, broccoli, carrots ³	300	600	8–10
Vegetables, e.g. peas, broccoli, carrots ³	600	600	14–17
Creamed spinach ⁴	450	600	11–16

¹ Separate the pieces of meat when stirring.

² Add a little liquid to the food.

³ Pour water into the dish so that it covers the base.

⁴ Cook the food without any additional water.

Heating in the microwave

Observe the recommended settings for using the microwave to heat food.

Food	Amount	Microwave power setting in W	Cooking time in mins
Beverages ¹	200 ml	800	2–3 ^{2, 3}
Beverages ¹	500 ml	800	3–4 ^{2, 3}
Baby food, e.g. baby bottles ⁴	50 ml	360	Approx. 0.5 ^{5, 6}
Baby food, e.g. baby bottles ⁴	100 ml	360	Approx. 1 ^{5, 6}
Baby food, e.g. baby bottles ⁴	200 ml	360	1.5 ^{5, 6}
Soup, 1 cup	200 g	600	2–3
Soup, 2 cups	400 g	600	4–5
Set menu, plated meal, ready meal with 2–3 components	350–500 g	600	4–8
Meat in sauce ⁷	500 g	600	8–11
Stew	400 g	600	6–8
Stew	800 g	600	8–11
Vegetables, 1 portion ⁸	150 g	600	2–3
Vegetables, 2 portions ⁸	300 g	600	3–5

¹ Place a spoon in the glass.

² Do not overheat alcoholic drinks.

³ Check the food occasionally.

⁴ Heat up baby food without the teat or lid.

⁵ Always shake the food well after heating.

⁶ Always check the temperature.

⁷ Separate the slices of meat.

⁸ Add a little liquid to the food.

16.5 Cooking

With your appliance you can cook food.

Cooking food

WARNING – Risk of burns!

Heated food gives off heat. The cookware may become hot.

► Always use oven gloves to remove cookware or accessories from the cooking compartment.

1. Check whether the cookware fits in the cooking compartment and that the turntable can turn freely.
 - For roasting, use a deep dish.
 - For bakes or gratins, use large, flat cookware.
2. Distribute the food flat in the cookware.
3. When cooking with the microwave, cover the food with a suitable lid, a plate or special microwave foil.

- Do not cover the food when grilling.
- Do not cover the food when combining the microwave and grill.













4. Always place the cookware on the turntable.
 - Always place the wire rack on the turntable when grilling. Do not preheat.
5. Start the operation.
6. To even out the temperature, leave the heated food to stand at room temperature for approx. 2–5 minutes.
 - Leave the meat to sit for 5–10 minutes before cutting it.
 - Leave bakes and gratins to stand for five minutes in the appliance while it is switched off.

Tip: Always use wooden skewers for fish skewers or vegetable skewers.



Cooking with the microwave

Food	Amount	Accessories	Microwave power setting in W	Type of heating	Cooking time in mins	Information
Whole chicken, fresh, without giblets	1200 g	Cookware with lid	600	-	25 – 30	Turn halfway through the cooking time.

¹ Carefully stir the food occasionally.

Food	Amount	Accessories	Mi-crowave power setting in W	Type of heating	Cooking time in mins	Information
Chicken pieces, e.g. chicken quarters	800 g	Cookware without lid + Pan support	360		30 – 40	Place with the skin side up. Do not turn the food.
Chicken wings, marinated and frozen	800 g	Cookware without lid + Pan support	360		15 – 25	Do not turn the food.
Pork without rind, e.g. neck	750 g	Cookware without lid	360		40 – 50	Turn the food once or twice.
Bacon rashers	Approx. 8 rashers	Pan support	180		10 – 15	-
Meatloaf	750 g	Cookware without lid	1. 600 2. 360	1. - 2. 	1. 20 – 25 2. 25 – 35	Cook the food uncovered. The maximum thickness of the food is 6 cm.
Fish, e.g. fillets	400 g	Cookware without lid	600	-	10 – 15	Add a little water, lemon juice or wine to the food.
Fish fillet, au gratin	400 g	Cookware without lid	360		10 – 15	Defrost frozen fish before cooking.
Fish kebabs	4 – 5	Pan support	180		10 – 15	Use wooden skewers.
Bake, sweet, e.g. quark bake with fruit	1000 g	Cookware without lid	360		30 – 35	The maximum thickness of the food is 5 cm.
Bake, savoury from raw ingredients, e.g. pasta bake	1000 g	Cookware without lid	360		30 – 35	Sprinkle cheese over the food. The maximum thickness of the food is 5 cm.
Bake, savoury, made from cooked ingredients, e.g. potato gratin	1000 g	Cookware without lid	360		30 – 40	The maximum thickness of the food is 4 cm.
Soups, au gratin, e.g. onion soup	2 – 4 cups	Cookware without lid	-		15 – 20	-
Vegetables, fresh	250 g	Cookware with lid	600	-	5 – 10 ¹	Cut the ingredients into equal-sized pieces. Add 1 to 2 tbsp water for every 100 g. Stir the food occasionally.
Vegetables, fresh	500 g	Cookware with lid	600	-	10 – 15 ¹	-
Vegetable skewers	4 – 5	Pan support	180		15 – 20	Use wooden skewers.
Potatoes	250 g	Cookware with lid	600	-	8 – 10 ¹	Cut the ingredients into equal-sized pieces. Add 1 to 2 tbsp water for every 100 g. Stir the food occasionally.
Potatoes	500 g	Cookware with lid	600	-	11 – 14 ¹	Cut the ingredients into equal-sized pieces. Add 1 to 2 tbsp water for every 100 g. Stir the food occasionally.

¹ Carefully stir the food occasionally.

Food	Amount	Accessories	Mi-crowave power setting in W	Type of heating	Cooking time in mins	Information
Potatoes	750 g	Cookware with lid	600	-	15 – 22 ¹	Cut the ingredients into equal-sized pieces. Add 1 to 2 tbsp water for every 100 g. Stir the food occasionally.
Rice	125 g	Cookware with lid	1. 900 2. 180	1. - 2. -	1. 5 – 7 2. 12 – 15	Add double the amount of liquid.
Rice	250 g	Cookware with lid	1. 900 2. 180	1. - 2. -	1. 6 – 8 2. 15 – 18	Add double the amount of liquid.
Toasting bread	2 – 4 slices	Pan support	-		1st side: 2 – 4 2nd side: 2 – 4	-
Grilling bread	2 – 6 slices	Pan support	-		7 – 10	The cooking time varies depending on the topping.
Fruit, compote	500 g	Cookware with lid	600	-	9 – 12	-
Desserts, e.g. blancmange (instant)	500 ml	Cookware with lid	600	-	5 – 8	Stir the blancmange 2 to 3 times using the whisk.

¹ Carefully stir the food occasionally.

Blancmange made from blancmange powder

WARNING – Risk of burns!

Heated food gives off heat. The cookware may become hot.

▶ Always use oven gloves to remove cookware or accessories from the cooking compartment.

1. Mix together one packet of blancmange powder with sugar and a little milk in a tall microwave-suitable bowl in accordance with the package instructions so that there are no lumps.

- 2.** Add the rest of the milk and stir again.
- 3.** Place the bowl into the cooking compartment and close the appliance door.
- 4.** Set the appliance according to the recommended settings.
- 5.** Only stir for the first time after 3 minutes. Then stir again every minute until it reaches the required consistency. The cooking time depends on the temperature of the milk and the container that is used.

16.6 Test dishes

These overviews have been produced for test institutes to facilitate appliance testing in accordance with EN 60350-1:2013 or IEC 60350-1:2011 and EN 60705:2012, IEC 60705:2010.

Cooking with the microwave


Food	Microwave power setting in W	Cooking time in mins	Note:
Custard, 750 g	1. 360 2. 90	1. 12–17 2. 20–25	Place the Pyrex dish 20 x 25 cm on the turntable.
Biscuit	600	8–10	Place a 22 cm diameter Pyrex dish on the turntable.
Meat loaf	600	20–25	Place a Pyrex dish on the turntable.

Defrosting with the microwave

Recommended settings for using the microwave to defrost food.

Food	Microwave power setting in W	Cooking time in mins	Note:
Meat	1. 180 2. 90	1. 5–7 2. 10–15	Place the Pyrex dish (22 cm diameter) on the turntable.

Cooking in combination with a microwave

Food	Microwave power setting in W	Type of heating	Cooking time in mins	Note:
Potato gratin	360		35–40	Place a 22 cm diameter Pyrex dish on the turntable.

17 Installation instructions

Observe this information when installing the appliance.



17.1 Safe installation

Follow these safety instructions when installing the appliance.

- The appliance can only be used safely if it is correctly installed according to the safety instructions. The installer is responsible for ensuring that the appliance works perfectly at its installation location.
- Check the appliance for damage after unpacking it. Do not connect the appliance if it has been damaged in transit.
- Before starting up the appliance, remove any packaging material and adhesive film from the cooking compartment and the door.
- Never remove the transparent film on the inside of the door.
- Proceed in accordance with the installation sheets for installing accessories.
- Fitted units must be heat-resistant up to 95 °C, and adjacent unit fronts up to 70 °C.
- Do not install the appliance behind a decorative door or the door of a kitchen unit. There is a risk of overheating.

- Cut-out work on the units should be carried out before installing the appliance. Remove any shavings. Otherwise, the correct operation of electrical components may be adversely affected.
- Only a licensed professional may connect appliances without plugs. Damage caused by incorrect connection is not covered under the warranty.

WARNING – Risk of injury!

Parts that are accessible during installation may have sharp edges and may lead to cutting injuries.

- ▶ Wear protective gloves.

WARNING – Risk of fire!

It is dangerous to use an extended power cord and non-approved adapters.

- ▶ Do not use extension cables or multiple socket strips.
- ▶ Only use adapters and power cords approved by the manufacturer.
- ▶ If the power cord is too short and a longer one is not available, please contact an electrician to have the domestic installation adapted.

17.2 Electrical connection

In order to safely connect the appliance electrically, follow these instructions.

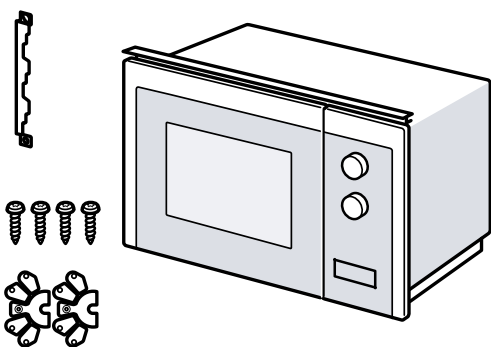
⚠ WARNING – Risk of electric shock!

Incorrect installation is dangerous.

- ▶ Only a qualified electrician may route the socket or replace a power cable while taking into consideration the applicable regulations.
- ▶ Connect the appliance only to a correctly installed, earthed socket.
- ▶ If the plug is no longer accessible following installation, an all-pole isolating unit with a contact clearance of at least 3 mm must be available on the installation side. Contact protection must be ensured by the installation.

17.3 Scope of delivery

After unpacking all parts, check for any damage in transit and completeness of the delivery.



17.4 Fitted units

This is where you can find information about safe installation.

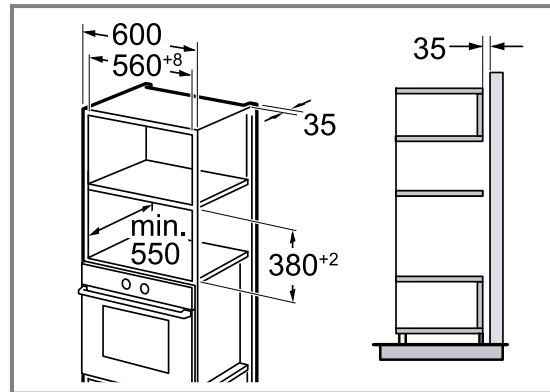
ATTENTION!

Any shavings may impair the function of electrical components.

- ▶ Carry out cut-out work on the units before installing the appliance.
- ▶ Remove the shavings.
- The minimum installation height is 850 mm.
- The installation cabinet must not have a back panel behind the appliance.
- The ventilation slots and intake openings must not be covered.
- Fitted units must be heat-resistant up to 90 °C, and adjacent unit fronts up to 65 °C.
- This appliance is not suitable for installation in a handle-free kitchen unit with vertical handle strip.

17.5 Installation dimensions in the tall unit

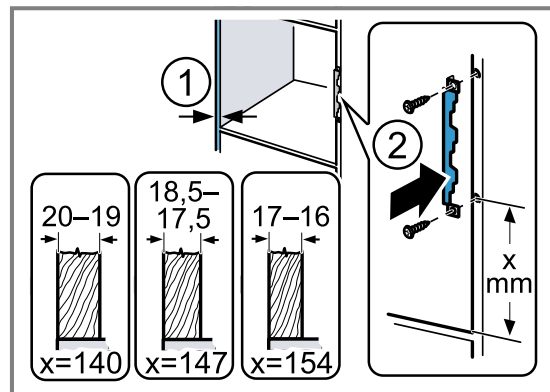
Observe the installation dimensions and the safety clearances in a tall unit.



17.6 Preparing the tall unit

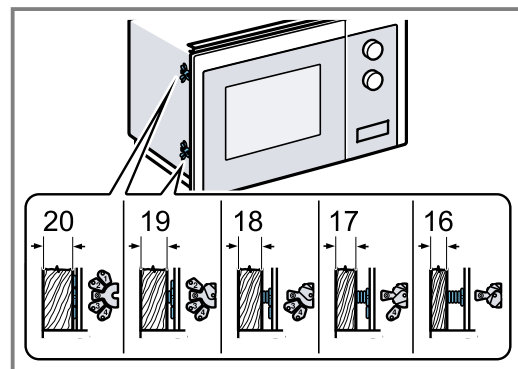
1. Determine the wall thickness of the unit. ① An x-value is assigned to the wall thickness.
2. **Note:** The x-value corresponds to the clearance between the lower hole on the connection plate and the bottom of the fitted unit.

Screw the connection plate tightly to the tall unit. ② When doing so, observe the x-value that was determined.



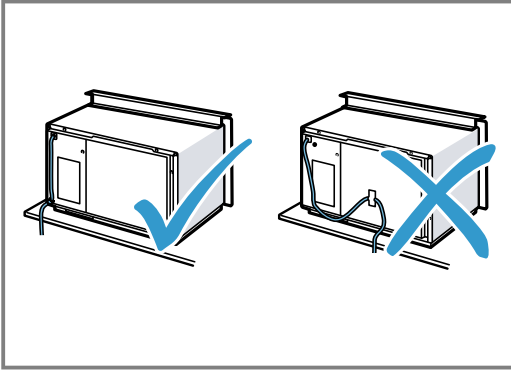
17.7 Installing the appliance

1. Secure the spacers to the appliance in accordance with the wall thickness.

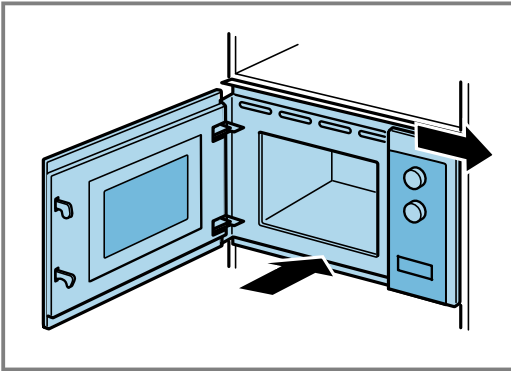
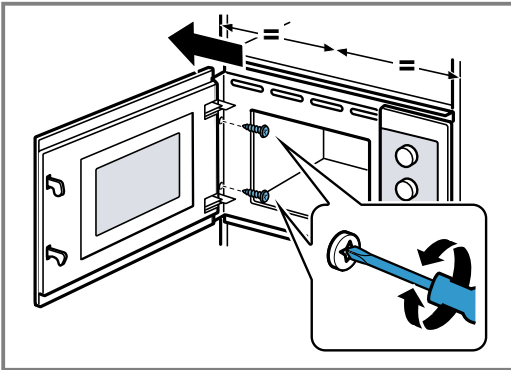
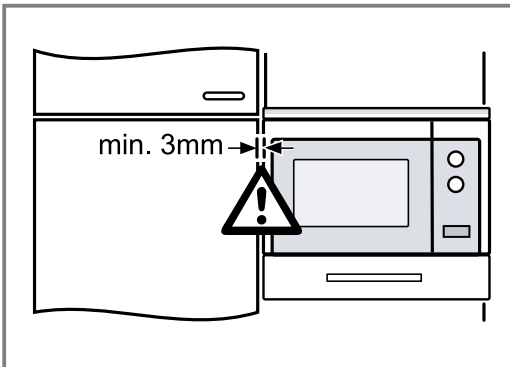


2. Note:

Do not trap or kink the power cable.



Insert the appliance into the unit and move it to the right.

**3. Screw the appliance in until the appliance is centrally aligned.****4. Check the clearance to the adjacent appliances.**

The clearance to the adjacent appliances must be at least 3 mm.

5. Remove any packaging material and adhesive film from the cooking compartment and the door.

Daftar isi

PANDUAN PENGOPERASIAN

1	Keselamatan.....	26
2	Menghindari kerusakan perangkat	30
3	Melindungi lingkungan hidup dan penghematan	31
4	Pengenalan.....	32
5	Aksesori.....	33
6	Sebelum penggunaan pertama kali	33
7	Pengoperasian dasar.....	34
8	Memanggang.....	35
9	Memori.....	36
10	Program	36
11	Pengaturan dasar.....	38
12	Membersihkan dan merawat	38
13	Pemecahan masalah.....	40
14	Membuang peralatan Anda	41
15	Layanan pelanggan.....	41
16	Cara kerja	42
17	INSTRUKSI PEMASANGAN	48
17.1	Pemasangan yang aman	48

1 Keselamatan

Perhatikan petunjuk keselamatan berikut.

1.1 Petunjuk umum

- Baca dengan saksama panduan ini.
- Simpan petunjuk seperti informasi produk untuk penggunaan berikutnya atau untuk pemilik berikutnya.
- Jangan menghubungkan alat yang mengalami kerusakan akibat pengangkutan.

1.2 Penggunaan yang sesuai

Hanya teknisi ahli resmi yang boleh menghubungkan peralatan tanpa steker. Jika terjadi kerusakan akibat koneksi yang salah, klaim garansi akan dibatalkan.

Pemasangan yang sesuai dengan petunjuk perakitan dapat menjamin keamanan saat penggunaan. Teknisi pemasangan bertanggung jawab atas fungsi peralatan yang tepat pada lokasi pemasangan.

Gunakan perangkat hanya:

- untuk mempersiapkan hidangan dan minuman.
- dalam pengawasan. Awasi proses memasak singkat terus-menerus.
- pada rumah tangga dan penggunaan yang sejenis seperti: di dapur untuk karyawan toko, kantor, dan area komersial lainnya; di lahan pertanian; oleh pelanggan hotel dan akomodasi tempat tinggal lainnya; bed and breakfast.
- hingga ketinggian maksimal 4000 m di atas permukaan laut.

Perangkat ini sesuai dengan standar EN 55011 atau CISPR 11. Perangkat ini merupakan produk grup 2, kelas B. Grup 2 berarti bahwa microwave diproduksi dengan tujuan untuk memanaskan makanan. Kelas B menyatakan bahwa perangkat sesuai untuk lingkungan rumah tangga.

1.3 Pembatasan grup pengguna

Alat ini dapat digunakan oleh anak-anak yang berusia mulai 15 tahun dan oleh orang dengan keterbatasan fisik, sensorik, atau mental, atau pengalaman dan/atau pengetahuan tidak mencukupi, jika mereka diawasi atau dilatih terkait penggunaan alat yang aman, sehingga memahami bahaya yang bisa terjadi.

Anak-anak tidak boleh bermain-main dengan alat ini.

Pembersihan dan perawatan pengguna tidak boleh dilakukan oleh anak-anak, kecuali jika mereka berusia 15 tahun atau lebih tua dan diawasi.

Jauhkan anak-anak yang berusia di bawah 8 tahun dari perangkat dan kabel suplai listrik.

1.4 Penggunaan yang aman

⚠ PERINGATAN – Risiko kebakaran!

Benda yang mudah terbakar dan disimpan di ruang oven dapat terbakar.

- ▶ Jangan pernah menyimpan benda yang mudah terbakar di dalam ruang oven.
- ▶ Jika keluar asap, matikan alat atau cabut steker, lalu tutup pintu alat untuk memadamkan api yang mungkin muncul.

Sisa makanan, minyak, dan saus dapat terbakar.

- ▶ Sebelum mengoperasikan, bersihkan kotoran yang membandel dari ruang oven, pada elemen pemanas, dan pada aksesoris.

Panas berlebih pada alat dapat menyebabkan risiko kebakaran.

- ▶ Jangan pernah memasang oven di belakang pintu dekor atau pintu furnitur.

⚠ PERINGATAN – Risiko luka bakar!

Selama digunakan, perangkat dan bagian yang dapat disentuh menjadi panas.

- ▶ Berhati-hatilah untuk tidak menyentuh elemen pemanas.
- ▶ Jauhkan dari jangkauan anak-anak yang berusia di bawah 8 tahun.

Aksesoris dan alat masak menjadi sangat panas.

- ▶ Selalu gunakan sarung tangan oven untuk mengeluarkan aksesoris atau alat masak dari ruang oven.

Uap alkohol dapat terbakar di ruang oven yang panas. Pintu oven dapat terbuka. Uap panas dan nyala api dapat muncul.

- ▶ Hanya gunakan minuman dengan kadar alkohol tinggi dalam jumlah kecil pada makanan.
- ▶ Jangan memanaskan alkohol (kadar $\geq 15\%$) yang belum diencerkan (misalnya untuk dituangkan atau disiram di atas makanan).
- ▶ Buka pintu perangkat dengan hati-hati.

⚠ PERINGATAN – Risiko melepuh!

Bagian-bagian alat yang dapat dijangkau akan menjadi panas selama alat dioperasikan.

- ▶ Jangan pernah menyentuh bagian yang panas tersebut.
- ▶ Jaga anak-anak pada jarak aman.

Uap panas dapat keluar saat pintu alat dibuka. Uap dapat terlihat atau tidak, tergantung suhunya.

- ▶ Buka pintu alat dengan hati-hati.
- ▶ Jaga anak-anak pada jarak aman.

Air di ruang memasak yang panas dapat menghasilkan uap panas.

- ▶ Jangan pernah menyiramkan air ke dalam ruang oven yang panas.

⚠ PERINGATAN – Risiko cedera!

Kaca yang tergores pada pintu alat dapat pecah.

- ▶ Jangan menggunakan pembersih abrasif yang kasar atau pengikis logam yang tajam untuk membersihkan kaca pintu oven karena benda tersebut dapat menggores permukaan.

Engsel bergerak saat pintu perangkat membuka dan menutup, sehingga dapat menyebabkan cedera.

- ▶ Jangan sampai ke area engsel. Retakan, serpihan, atau pecahan pada piring putar kaca sangat membahayakan.
- ▶ Jangan pernah menekan piring putar dengan benda keras.
- ▶ Tangani piring putar dengan hati-hati.

Uap alkohol dapat terbakar di ruang oven yang panas dan pintu alat dapat terbuka dan mungkin jatuh. Kaca pintu dapat pecah dan hancur.

→ "*Menghindari kerusakan perangkat*",
Halaman 30

- ▶ Hanya gunakan minuman dengan kadar alkohol tinggi dalam jumlah kecil pada makanan.
- ▶ Jangan memanaskan alkohol (kadar $\geq 15\%$) yang belum diencerkan (misalnya untuk dituangkan atau disiram di atas makanan).
- ▶ Buka pintu perangkat dengan hati-hati.

⚠ PERINGATAN – Risiko sengatan listrik!

Reparasi yang tidak tepat dapat membahayakan.

- ▶ Hanya teknisi ahli yang boleh melakukan perbaikan pada alat.
- ▶ Hanya komponen pengganti asli yang boleh digunakan untuk perbaikan peralatan.
- ▶ Jika kabel daya perangkat ini rusak, kabel ini harus digantikan oleh pihak produsen atau layanan pelanggan atau seorang yang ahli, untuk menghindarkan terjadi adanya bahaya.

Isolasi kabel daya yang rusak akan membahayakan.

- ▶ Jangan pernah menempelkan kabel daya ke bagian mesin yang panas atau sumber panas.
- ▶ Jangan pernah menempelkan kabel daya ke ujung atau tepi yang tajam.
- ▶ Jangan pernah menekuk, menghimpit, atau mengubah kabel daya.

Kelembapan yang masuk dapat menyebabkan sengatan listrik.

- ▶ Jangan gunakan pembersih uap atau pembersih bertekanan tinggi untuk membersihkan perangkat.

Peralatan yang rusak atau kabel daya yang rusak akan membahayakan.

- ▶ Jangan pernah mengoperasikan alat yang rusak.
- ▶ Jangan mengoperasikan peralatan dengan permukaan yang retak atau rusak.
- ▶ Untuk memutus perangkat dari listrik, jangan pernah mencabut pada kabel daya. Selalu cabut pada steker kabel daya.
- ▶ Jika peralatan atau kabel daya rusak, segera cabut steker kabel daya atau matikan sekering di kotak sekering.
- ▶ Hubungi layanan pelanggan.

→ Halaman 41

⚠ PERINGATAN – Risiko mati lemas!

Anak-anak dapat menarik bahan kemasan ke atas kepalanya sehingga atau tercekik, dan kesulitan bernapas.

- ▶ Jauhkan bahan kemasan dari anak-anak.
- ▶ Jangan biarkan anak-anak bermain dengan bahan kemasan.

Anak-anak dapat menghirup benda-benda kecil atau menelan, sehingga menyebabkan kesulitan bernapas.

- ▶ Jauhkan benda-benda kecil dari anak-anak.
- ▶ Jangan biarkan anak-anak bermain dengan benda-benda kecil.

1.5 Microwave

BACA PETUNJUK KESELAMATAN PENTING DENGAN SAKSAMA DAN SIMPAN UNTUK PENGGUNAAN SELANJUTNYA

⚠ PERINGATAN – Risiko kebakaran!

Penggunaan alat yang tidak sebagaimana mestinya akan membahayakan dan dapat menyebabkan kerusakan. Misalnya sandal rumah, kantung gandum atau sereal yang dihangatkan dapat terbakar bahkan setelah beberapa jam.

- ▶ Jangan pernah mengeringkan makanan atau pakaian dengan alat.
- ▶ Jangan pernah menggunakan alat untuk menghangatkan sandal rumah, kantung gandum atau sereal, spons, kain pembersih yang lembap dan sejenisnya.
- ▶ Hanya gunakan alat untuk memasak makanan dan minuman.

Bahan makanan dan kemasan serta wadahnya dapat terbakar.

- ▶ Jangan pernah memanaskan bahan makanan dalam wadah styrofoam.
- ▶ Jangan pernah memanaskan bahan makanan dalam wadah yang terbuat dari plastik, kertas atau bahan yang mudah terbakar lainnya tanpa pengawasan.
- ▶ Jangan pernah mengatur waktu atau daya microwave terlalu tinggi. Ikuti informasi dalam petunjuk penggunaan ini.
- ▶ Jangan pernah mengeringkan bahan makanan di dalam microwave.
- ▶ Jangan pernah menghilangkan beku es atau memanaskan bahan makanan dengan kadar air rendah seperti roti dengan waktu atau daya microwave terlalu tinggi.

Minyak goreng dapat terbakar.

- ▶ Jangan pernah hanya memanaskan minyak goreng di dalam microwave.

⚠ PERINGATAN – Risiko ledakan!

Cairan atau bahan makanan lainnya dalam wadah yang tertutup rapat dapat meletup dengan mudah.

- ▶ Jangan pernah memanaskan cairan atau bahan makanan lainnya dalam wadah yang tertutup rapat.

⚠ PERINGATAN – Risiko luka bakar!

Bahan makanan dengan cangkang atau kulit yang keras dapat retak/meledak saat ataupun setelah proses pemanasan.

- ▶ Jangan pernah memasak telur atau memanaskan telur rebus tanpa dikupas.
- ▶ Jangan pernah memasak kerang dan udang-udangan.

- ▶ Tusuk bagian kuning telur terlebih dahulu untuk telur mata sapi atau telur rebus yang disajikan dalam gelas.
- ▶ Pada bahan makanan dengan cangkang atau kulit yang keras, seperti misalnya apel, tomat, kentang atau sosis, kulitnya dapat retak/pecah. Tusuk cangkang atau kulit sebelum dipanaskan.

Panas tidak dapat didistribusikan secara merata pada makanan bayi.

- ▶ Jangan pernah memanaskan makanan bayi dalam wadah yang tertutup.
- ▶ Selalu lepas tutup atau dotnya.
- ▶ Aduk atau kocok dengan baik setelah dipanaskan.
- ▶ Periksa suhu makanan terlebih dahulu sebelum memberikan makanan tersebut kepada anak.

Makanan yang dipanaskan mengeluarkan panas. Wadah makanan dapat menjadi panas.

- ▶ Selalu keluarkan wadah makanan atau aksesoris dari ruang oven menggunakan sarung tangan oven.

Kemasan dapat meledak pada bahan makanan yang tersegel rapat.

- ▶ Selalu perhatikan informasi yang terdapat pada kemasan.
- ▶ Selalu keluarkan makanan dari ruang oven menggunakan sarung tangan oven.

Bagian-bagian alat yang dapat diakses menjadi panas selama digunakan.

- ▶ Jangan pernah menyentuh bagian yang panas ini.
- ▶ Jaga anak-anak pada jarak aman.

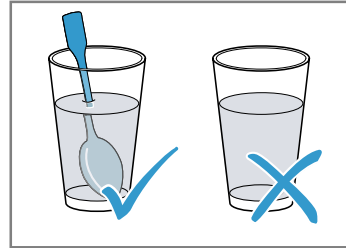
Penggunaan alat yang tidak sebagaimana mestinya akan membahayakan. Misalnya sandal rumah, kantung gandum atau sereal yang terlalu panas, spons, kain lap yang lembap dan sejenisnya dapat menyebabkan luka bakar.

- ▶ Jangan pernah menggunakan alat untuk mengeringkan makanan atau pakaian.
- ▶ Jangan pernah menggunakan alat untuk menghangatkan sandal rumah, kantung gandum atau sereal, spons, kain lap yang lembap dan sejenisnya.
- ▶ Hanya gunakan alat untuk memasak makanan dan minuman.

⚠ PERINGATAN – Risiko melepuh!

Pada saat memanaskan cairan dapat terjadi pemanasan lanjutan (superheat). Hal ini berarti, suhu didih telah tercapai, namun tidak diikuti munculnya gelembung uap seperti biasanya. Berhati-hatilah saat terjadi getaran yang rendah pada wadah saat memasak. Cairan panas dapat tiba-tiba meluap dan memercik ke luar.

- ▶ Saat memanaskan sesuatu, selalu masukkan sendok ke dalam wadah. Hal tersebut akan mencegah superheating.



⚠ PERINGATAN – Risiko cedera!

Pinggan yang tidak sesuai dapat pecah. Pinggan yang terbuat dari porselen dan keramik dapat memiliki lubang-lubang kecil pada gagang dan tutup. Di balik lubang-lubang ini terdapat sebuah rongga. Uap air yang masuk ke dalam rongga ini dapat menyebabkan pinggan pecah.

- ▶ Hanya gunakan pinggan yang sesuai untuk microwave.

Pinggan dan wadah yang terbuat dari logam atau pinggan dengan aksesoris logam dapat menyebabkan percikan api saat menggunakan mode microwave murni. Alat akan rusak.

- ▶ Jangan pernah menggunakan wadah berbahan logam untuk mode microwave murni.
- ▶ Hanya gunakan pinggan yang sesuai untuk microwave atau microwave yang dikombinasikan dengan jenis pemanasan.

⚠ PERINGATAN – Risiko sengatan listrik!

Alat beroperasi dengan tegangan tinggi.

- ▶ Jangan pernah melepas housing.

⚠ PERINGATAN – Risiko serius terhadap kesehatan!

Pembersihan yang tidak tepat dapat merusak permukaan alat, mengurangi masa pakai alat dan menyebabkan situasi berbahaya seperti kebocoran daya pada microwave.

- ▶ Bersihkan alat secara berkala dan segera bersihkan sisa-sisa bahan makanan.
- ▶ Selalu jaga kebersihan ruang oven, pintu dan engsel pintu.

→ *"Membersihkan dan merawat",
Halaman 38*

Jangan pernah mengoperasikan alat saat pintu ruang oven rusak. Hal ini dapat menyebabkan kebocoran daya pada microwave.

- ▶ Jangan pernah menggunakan alat saat pintu ruang oven atau rangka plastik pada pintu rusak.
- ▶ Perbaikan hanya dilakukan oleh layanan pelanggan.

Daya microwave dapat bocor pada alat tanpa penutup housing.

- ▶ Jangan pernah melepaskan penutup housing.
- ▶ Hubungi layanan pelanggan untuk pengerjaan pemeliharaan atau perbaikan.

2 Menghindari kerusakan perangkat

2.1 Umum

PERHATIAN!

Uap alkohol dapat terbakar di ruang oven yang panas dan menyebabkan kerusakan permanen pada alat. Pintu oven dapat terbuka dan mungkin jatuh akibat deflagrasi. Kaca pintu dapat pecah dan hancur. Tekanan negatif yang dihasilkan dapat menyebabkan ruang oven menjadi rusak parah di bagian dalam.

- ▶ Jangan memanaskan alkohol (kadar $\geq 15\%$) yang belum diencerkan (misalnya untuk dituangkan atau disiram di atas makanan).

Jika air dituangkan ke dalam ruang oven yang panas, uap air dapat terbentuk. Perubahan suhu dapat menyebabkan kerusakan.

- ▶ Jangan pernah menyiramkan air ke dalam ruang oven yang panas.

Kelembapan dalam waktu lama di dalam ruang oven dapat menyebabkan korosi.

- ▶ Bersihkan embun setelah setiap proses memasak. Setelah pengoperasian dengan suhu tinggi, biarkan ruang oven menjadi dingin hanya dalam keadaan pintu oven tertutup.
- ▶ Jangan menyimpan makanan yang basah di dalam ruang oven tertutup untuk waktu yang lama.
- ▶ Jangan menyimpan hidangan apa pun di dalam ruang oven.
- ▶ Jangan menyelipkan benda apa pun ke pintu alat. Pintu alat dapat menjadi rusak jika digunakan sebagai permukaan duduk atau tempat penyimpanan.
- ▶ Jangan meletakkan, duduk, bergantung atau bersandar di pintu alat.

2.2 Microwave

Perhatikan petunjuk ini saat menggunakan microwave.

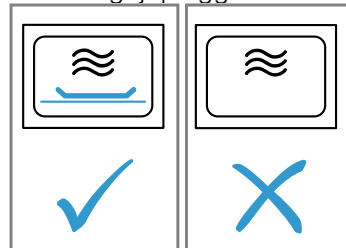
PERHATIAN!

Jika logam menyentuh dinding ruang oven, akan timbul percikan api yang dapat merusak alat atau kaca pintu bagian dalam.

- ▶ Logam, misalnya sendok di dalam gelas harus berada minimal 2 cm dari dinding ruang oven dan sisi dalam pintu.

Baki aluminium di dalam alat dapat menyebabkan percikan api. Alat akan mengalami kerusakan akibat percikan api yang muncul.

- ▶ Jangan gunakan baki aluminium di dalam alat. Pengoperasian alat tanpa adanya makanan di dalam ruang oven dapat menyebabkan beban berlebih.
- ▶ Jangan pernah menghidupkan microwave tanpa adanya makanan di dalam ruang oven. Kecuali untuk menguji piringan dalam waktu singkat.



Membuat popcorn dengan microwave yang dilakukan beberapa kali secara langsung dengan daya microwave yang terlalu tinggi dapat menyebabkan kerusakan pada ruang oven.

- ▶ Dinginkan alat selama beberapa menit setiap kali selesai membuat.
- ▶ Jangan pernah mengatur daya microwave terlalu tinggi.
- ▶ Gunakan maksimal 600 watt.
- ▶ Selalu letakkan kemasan popcorn di atas piring kaca.

Perlangkapan microwave akan rusak jika penutup dilepas.

- ▶ Jangan pernah melepas penutup peralatan microwave di dalam oven.

Melepas foil transparan dari sisi dalam pintu akan merusak pintu alat.

- ▶ Jangan pernah melepaskan foil transparan pada sisi dalam pintu.

Cairan yang masuk ke dalam bagian dalam alat dapat merusak penggerak piringan putar.

- ▶ Awasi proses memasak.
- ▶ Pertama, atur durasi yang lebih singkat, lalu tambah durasi bila perlu.
- ▶ Jangan pernah menggunakan alat tanpa piringan putar.

Peralatan makan yang tidak sesuai dapat menyebabkan kerusakan.

- ▶ Hanya gunakan peralatan makan yang tahan terhadap suhu yang tinggi pada saat menggunakan pemanggang atau mode kombinasi microwave.

3 Melindungi lingkungan hidup dan penghematan

3.1 Membuang kemasan

Bahan kemasan bersifat ramah lingkungan dan dapat didaur ulang.

- ▶ Buang komponen-komponen secara terpisah menurut jenis bahannya.

3.2 Menghemat energi

Jika Anda memperhatikan petunjuk berikut, perangkat Anda akan menghabiskan sedikit listrik.

Jangan sering membuka pintu alat selama pengoperasian.

- Suhu dalam ruang oven tetap terjaga dan alat tidak harus dipanaskan ulang.

Sembunyikan jam pada saat mode siaga.

- Alat akan menghemat energi pada saat mode siaga.

Catatan:

Alat memerlukan:

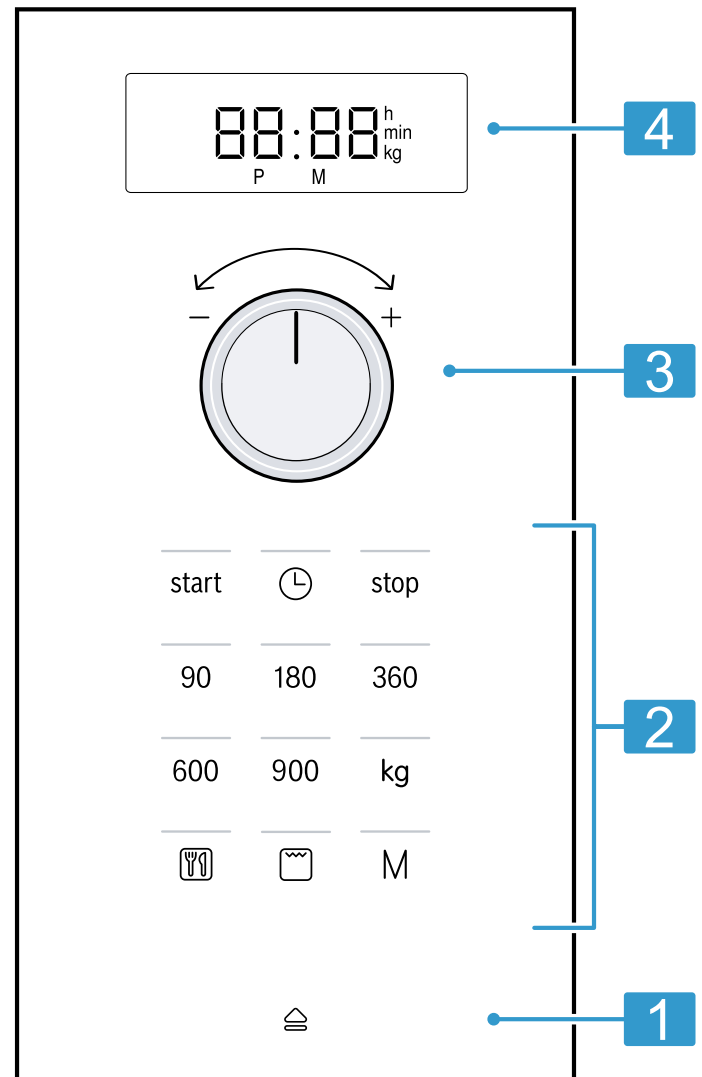
- Daya maksimal 1 W dalam mode dengan display yang diaktifkan
- Daya maksimal 0,5 W dalam mode dengan display yang dinonaktifkan

4 Pengenalan

4.1 Panel kontrol

Pada panel kontrol, atur semua fungsi peralatan Anda dan dapatkan informasi tentang kondisi pengoperasian.

Catatan: Detail pada gambar dapat berbeda, misalnya warna dan bentuk bergantung pada tipe oven.



1	Pembuka pintu otomatis	Buka pintu secara otomatis.
2	Bidang sentuh	Pilih fungsi.
3	Selektor putar	Atur waktu, durasi atau mode program otomatis.
4	Display	Tampilkan waktu atau durasi.

Bidang sentuh

Panel sentuh merupakan bidang yang sensitif terhadap sentuhan. Untuk memilih suatu fungsi, ketuk bidang yang sesuai.

90-900	Pilih daya microwave dalam watt.
	Pilih mode program otomatis.
kg	Pilih berat pada program.
	Pilih pemanggang.
	Atur atau tampilkan waktu.
start	Mulai pengoperasian.
M	Pilih memori.

stop	Hentikan atau jeda pengoperasian.
	Buka pintu alat.

Selektor putar

Nilai pengaturan yang ditampilkan pada display dapat diubah menggunakan selektor putar. Selektor putar dapat dibenamkan. Tekan selektor putar untuk memasukkan atau mengeluarkan selektor putar.

Pembuka pintu otomatis

Jika pembuka pintu otomatis ditekan, pintu alat akan terbuka. Pintu alat dapat dibuka sepenuhnya dengan tangan.


Catatan

- Jika listrik padam, pembuka pintu otomatis tidak berfungsi. Pintu dapat dibuka dengan tangan.
- Jika pintu alat dibuka selama pengoperasian, pengoperasian akan berhenti.

- Jika pintu alat ditutup, pengoperasian tidak akan berlanjut secara otomatis. Anda harus memulai pengoperasian.
- Jika alat dimatikan dalam waktu yang lama, pintu alat terbuka dengan penundaan waktu.

4.2 Jenis pemanasan

Ikhtisar mengenai jenis pemanasan dapat dilihat di sini. Rekomendasi mengenai penggunaan jenis pemanas dapat diperoleh.

Simbol	Nama	Penggunaan
90-900	Microwave	Hilangkan beku, masak atau panaskan makanan dan cairan.
	Memanggang	Gratin makanan.
	Mode kombinasi microwave	<ul style="list-style-type: none"> ▪ Panggang casserole dan gratin. ▪ Panggang hidangan hingga kecokelatan.

4.3 Kipas pendingin

Kipas pendingin akan hidup dan mati sesuai kebutuhan.

Ruang oven tetap dingin saat microwave digunakan. Meskipun demikian, kipas pendingin beroperasi.

Catatan: Kipas pendingin dapat tetap beroperasi meski alat telah dimatikan.

4.4 Air kondensat

Embun (air kondensat) dapat muncul di ruang oven dan di pintu alat selama proses memasak. Embun yang muncul merupakan hal yang wajar dan tidak memengaruhi fungsi alat. Bersihkan embun setelah proses memasak.

5 Aksesori

Gunakan aksesori asli. Aksesori tersebut telah dirancang khusus untuk alat ini.

Aksesori yang disertakan dapat bervariasi tergantung pada jenis oven.

Aksesori	Penggunaan
Panggang	<ul style="list-style-type: none"> ▪ Grill untuk memanggang dan au gratin ▪ Grill untuk meletakkan piring


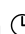
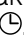
6 Sebelum penggunaan pertama kali

Lakukan pengaturan untuk pengoperasian awal terlebih dahulu. Bersihkan perangkat dan aksesorinya.

6.1 Menjalankan pengoperasian pertama kali

Lakukan pengaturan untuk pengoperasian awal terlebih dahulu. Bersihkan perangkat dan aksesorinya.

Catatan: Setelah listrik tersambung atau listrik padam, sinyal akan berbunyi dan beberapa angka nol terlihat pada display. Hal tersebut dapat berlangsung selama beberapa detik hingga sinyal lainnya berbunyi dan waktu dapat diatur.

1. Tekan .
- ✓ 12:00 terlihat pada display. Lampu indikator pada  menyala.
2. Atur waktu dengan menggunakan selektor putar.
3. Tekan .

6.2 Membersihkan alat sebelum penggunaan pertama kali

Bersihkan ruang oven dan aksesori sebelum alat digunakan untuk menyiapkan makanan untuk pertama kali.

1. Pastikan tidak ada sisa kemasan, aksesori, atau benda lainnya di ruang oven.
2. Bersihkan permukaan ruang oven dengan kain yang lembap dan lembut.
3. Untuk menghilangkan aroma microwave baru, seka ruang oven yang kosong dengan larutan sabun panas.
→ "Membersihkan ruang oven", Halaman 39

6.3 Membersihkan aksesori

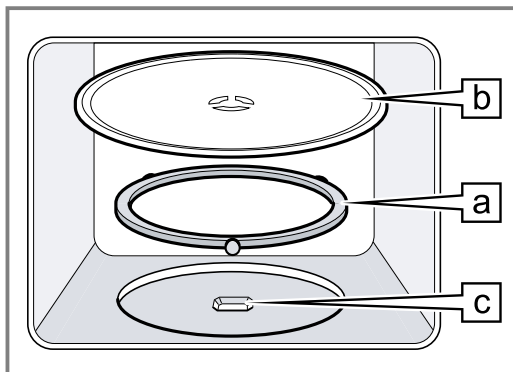
- ▶ Bersihkan aksesori secara menyeluruh dengan larutan sabun dan kain lap lembut.

6.4 Memasukkan piring putar

Hanya gunakan alat dengan piring putar yang terpasang.

id Pengoperasian dasar

1. Letakkan cincin rol [a] ke dalam celah ruang oven.



2. Kunci piring putar [b] dalam penggerak [c] di bagian tengah dasar ruang oven.
3. Periksa apakah piring putar telah terkunci dengan benar.

Catatan: Piring putar dapat berputar ke kiri atau kanan.

7 Pengoperasian dasar

7.1 Daya microwave

Berikut ini ikhtisar mengenai daya microwave dan saran penggunaannya.

Daya microwave dalam satuan watt	Penggunaan
90	Menghilangkan beku es pada makanan yang lunak.
180	Menghilangkan beku es pada makanan dan melanjutkan proses memasak.
360	Memasak daging dan ikan atau memanaskan makanan yang lunak.
600	Memanaskan dan memasak makanan.
900	Memanaskan cairan.

Catatan:

Daya microwave dapat diatur ulang untuk durasi tertentu:

- 900 W untuk 30 menit
- 600 W untuk 60 menit
- 90 W, 180 W dan 360 W untuk 99 menit

7.2 Pinggan dan aksesori yang sesuai untuk microwave

Gunakan pinggan dan aksesori yang sesuai untuk memanaskan makanan secara merata dan tidak merusak alat.

Catatan: Perhatikan informasi dari produsen sebelum menggunakan pinggan untuk microwave. Jika ragu, lakukan uji pinggan.

Sesuai untuk microwave

Pinggan dan aksesori	Alasan
Pinggan tahan panas dan sesuai untuk microwave: <ul style="list-style-type: none">■ Kaca■ Keramik kaca■ Porselen■ Plastik tahan terhadap suhu■ Keramik berglasir penuh tanpa celah	Bahan-bahan ini akan menyerap gelombang mikro. Microwave tidak akan merusak pinggan yang tahan panas.
Sendok garpu dari logam	Catatan: Untuk mencegah superheating, gunakan sendok garpu dari logam, misalnya letakkan sendok dalam gelas.

PERHATIAN!

Jika logam menyentuh dinding ruang oven, akan timbul percikan api yang dapat merusak alat atau kaca pintu bagian dalam.

- ▶ Logam, misalnya sendok di dalam gelas harus berada minimal 2 cm dari dinding ruang oven dan sisi dalam pintu.

Tidak sesuai untuk microwave

Pinggan dan aksesori	Alasan
Pinggan dari logam	Logam tidak akan menyerap gelombang mikro. Makanan hampir tidak memanaskan.
Pinggan dengan hiasan emas atau perak	Microwave dapat merusak hiasan emas dan perak. Kiat: Pinggan dapat digunakan jika produsen menjamin bahwa pinggan tersebut sesuai untuk microwave.

7.3 Menguji pinggan untuk kesesuaian microwave

Periksa pinggan untuk kesesuaian microwave dengan uji pinggan. Alat dapat dioperasikan dalam mode microwave tanpa adanya makanan di dalamnya hanya saat sedang menguji pinggan.

⚠️ PERINGATAN – Risiko melepuh!

Bagian-bagian alat yang dapat dijangkau akan menjadi panas selama alat dioperasikan.

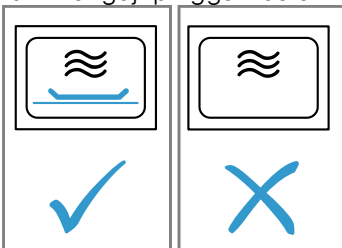
- ▶ Jangan pernah menyentuh bagian yang panas tersebut.
 - ▶ Jaga anak-anak pada jarak aman.
1. Letakkan pinggan ke dalam ruang oven.
 2. Atur alat ke daya microwave maksimal selama ½-1 menit.
 3. Mulai pengoperasian.
 4. Periksa pinggan beberapa kali:
 - Jika pinggan terasa dingin atau hangat di tangan, berarti pinggan sesuai untuk microwave.
 - Jika pinggan terasa panas atau muncul percikan api, hentikan pengujian pinggan. Pinggan tidak sesuai untuk microwave.

7.4 Mengatur microwave

PERHATIAN!

Pengoperasian alat tanpa adanya makanan di dalam ruang oven dapat menyebabkan beban berlebih.

- ▶ Jangan pernah menghidupkan microwave tanpa adanya makanan di dalam ruang oven. Kecuali untuk menguji pinggan dalam waktu singkat.



Kiat: Informasi terkait rekomendasi pengaturan dapat digunakan sebagai acuan untuk menggunakan alat secara optimal.

→ "Cara kerja", Halaman 42

1. Perhatikan petunjuk keselamatan. → Halaman 28
2. Perhatikan petunjuk untuk menghindari kerusakan properti. → Halaman 30
3. Perhatikan petunjuk mengenai pinggan dan aksesoris yang sesuai untuk microwave. → Halaman 34
4. Atur daya microwave yang diinginkan dengan tombol.
5. Atur durasi yang diinginkan dengan selektor putar.

Catatan: Jika pintu oven dibuka selama pengoperasian berlangsung, microwave akan menghentikan pengoperasian dan akan berhenti selama waktu yang ditentukan. Jika pintu alat ditutup, pengoperasian akan dilanjutkan.

7.5 Mengubah durasi

Durasi dapat diubah kapan saja.

- ▶ Atur durasi yang diinginkan dengan selektor putar.

7.6 Menghentikan pengoperasian

1. Tekan **stop** atau buka pintu alat.
 - ✓ Lampu indikator pada **start** menyala.
2. Untuk melanjutkan pengoperasian, tutup pintu alat dan tekan **start**.



7.7 Membatalkan pengoperasian

- ▶ Tekan **stop** dua kali atau buka pintu dan tekan **stop** satu kali.

8 Memanggang

Pemanggang dapat digunakan untuk membuat makanan tampak kecokelatan atau au gratin. Pemanggang dapat digunakan sendiri atau dikombinasikan dengan microwave.

8.1 Mengatur pemanggang

1. Tekan .
 - ✓ Lampu indikator di atas  menyala dan display menampilkan 10:00 menit.
2. Atur durasi yang diinginkan dengan selektor putar.

8.2 Mengubah durasi

Durasi dapat diubah kapan saja.

- ▶ Atur durasi yang diinginkan dengan selektor putar.

8.3 Menghentikan pengoperasian

1. Tekan **stop** atau buka pintu alat.
 - ✓ Lampu indikator pada **start** menyala.
2. Untuk melanjutkan pengoperasian, tutup pintu alat dan tekan **start**.

8.4 Membatalkan pengoperasian


- ▶ Tekan **stop** dua kali atau buka pintu dan tekan **stop** satu kali.

8.5 Kombinasi mikro

Untuk mempersingkat waktu memasak, pemanggang dapat digunakan dengan microwave.

Mengatur kombinasi mikro

1. Tekan daya microwave 90, 180 atau 360.
 - ✓ Lampu indikator pada tombol yang ditekan akan menyala dan display menampilkan 1:00 menit.

2. Tekan .
3. Atur durasi yang diinginkan dengan selektor putar.

Catatan: Jika pintu oven dibuka selama pengoperasian berlangsung, microwave akan menghentikan pengoperasian dan akan berhenti selama waktu yang ditentukan. Jika pintu alat ditutup, pengoperasian akan dilanjutkan.

9 Memori

Pengaturan untuk hidangan dapat disimpan dengan fungsi memori dan dapat diakses kembali kapan saja.

Kiat: Jika Anda sering membuat hidangan, gunakan fungsi memori.

9.1 Menyimpan memori

Catatan:

- Beberapa daya microwave tidak dapat disimpan satu per satu.
 - Program otomatis tidak dapat disimpan.
1. Tekan **M**.
 - ✓ Lampu indikator pada **M** menyala.
 2. Atur daya microwave yang diinginkan dengan tombol.
 - ✓ Lampu indikator pada tombol akan menyala dan display menampilkan 1:00 menit.
 3. Atur durasi yang diinginkan dengan selektor putar.
 4. Pilih salah satu opsi berikut bila perlu:
 - Tekan **start** untuk menyimpan dan segera memulai memori.

- Tekan **M** untuk menyimpan dan tidak memulai memori.

- ✓ Jika alat tidak memulai, waktu akan muncul pada display dan alat menyimpan pengaturan.

9.2 Memulai memori

Program yang telah tersimpan dapat dengan mudah dimulai. Letakkan makanan ke dalam alat lalu tutup pintu alat.

1. Tekan **M**.
 - ✓ Pengaturan yang telah tersimpan akan muncul.
2. Tekan **start**.

9.3 Menghentikan pengoperasian

1. Tekan **stop** atau buka pintu alat.
 - ✓ Lampu indikator pada **start** menyala.
2. Untuk melanjutkan pengoperasian, tutup pintu alat dan tekan **start**.


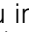
9.4 Membatalkan pengoperasian

- ▶ Tekan **stop** dua kali atau buka pintu dan tekan **stop** satu kali.

10 Program

Dengan program tersebut, alat membantu Anda dalam memasak berbagai makanan dan memilih pengaturan yang optimal secara otomatis.

10.1 Mengatur program

1. Pilih program.
2. Tekan  berulang kali hingga display menampilkan nomor program yang diinginkan.
 - ✓ Lampu indikator pada  menyala.
3. Tekan **kg**.
 - ✓ Lampu indikator pada **kg** menyala dan display menampilkan berat yang direkomendasikan.
4. Atur berat makanan dengan selektor putar. Apabila berat yang tepat tidak dapat ditentukan, buatkan ke atas atau ke bawah.
5. Tekan **start** untuk memulai pengoperasian.
 - ✓ Durasi yang selesai akan terlihat.

6. Jika sinyal berbunyi selama program berlangsung, buka pintu alat.
 - Potong, aduk, atau balik makanan.
 - Tutup pintu alat.
 - Tekan **start**.

10.2 Menghentikan pengoperasian

1. Tekan **stop** atau buka pintu alat.
 - ✓ Lampu indikator pada **start** menyala.
2. Untuk melanjutkan pengoperasian, tutup pintu alat dan tekan **start**.

10.3 Membatalkan pengoperasian

- ▶ Tekan **stop** dua kali atau buka pintu dan tekan **stop** satu kali.

10.4 Menghilangkan beku dengan mode program otomatis

Beku pada daging, daging unggas dan roti dapat dihilangkan dengan menggunakan 4 program penghilangan beku.

Program	Makanan	Pinggan	Kisaran berat dalam kg
P01	Daging cincang	terbuka	0,20-1,00

Program	Makanan	Pinggan	Kisaran berat dalam kg
P02	Potongan daging	terbuka	0,20-1,00
P03	Daging ayam, potongan daging ayam	terbuka	0,40-1,80
P04	Roti	terbuka	0,20-1,00

Menghilangkan beku pada makanan dengan mode program otomatis

1. Keluarkan bahan makanan dari kemasan. Gunakan bahan makanan yang disimpan secara mendatar dan dalam porsi terukur pada suhu -18 C.
2. Timbang bahan makanan. Berat diperlukan untuk mengatur program.
3. Letakkan bahan makanan pada pinggan yang datar, sesuai untuk microwave, misalnya piring kaca atau porselen. Jangan ditutup.
4. Atur program. → *Halaman 36*

5. **Catatan:** Saat menghilangkan beku pada daging merah dan daging unggas, akan keluar cairan. Buang cairan saat membalik dan jangan gunakan kembali atau mencampurkannya dengan bahan makanan lainnya.
6. Pisahkan daging berbentuk pipih dan daging cincang sebelum diistirahatkan.
7. Diamkan bahan makanan yang telah di-thawing selama 10-30 menit untuk menyesuaikan suhu. Potongan daging yang besar perlu diistirahatkan lebih lama dibandingkan potongan daging yang kecil. Keluarkan jeroan daging unggas setelah diistirahatkan.
8. Bahan makanan juga dapat diolah apabila potongan daging yang besar masih membeku di bagian tengahnya.

10.5 Memasak dengan menggunakan mode program otomatis

Nasi, kentang atau sayur-sayuran dapat dimasak dengan menggunakan 3 program memasak.

Program	Makanan	Pinggan	Kisaran berat dalam kg	Catatan
P05	Nasi	dengan penutup	0,05-0,20	<ul style="list-style-type: none"> Gunakan loyang yang besar dan tinggi untuk nasi. Jangan gunakan kantung beras untuk memasak nasi. Tambahkan dua hingga tiga kali jumlah air untuk setiap 100 g beras.
P06	Kentang	dengan penutup	0,15-1,00	<ul style="list-style-type: none"> Untuk memasak kentang rebus, potong kentang segar dalam ukuran kecil yang sama. Tambahkan satu liter air dan sedikit garam untuk setiap 100 g kentang rebus.
P07	Sayuran	dengan penutup	0,15-1,00	<ul style="list-style-type: none"> Timbang sayuran segar yang telah dibersihkan. Potong sayuran dalam ukuran kecil yang sama. Tambahkan satu liter air untuk setiap 100 g sayuran.

Memasak makanan dengan mode program otomatis

1. Timbang bahan makanan. Berat diperlukan untuk mengatur program.
2. Letakkan bahan makanan pada pinggan yang sesuai untuk microwave dan gunakan tutup.
3. Tambahkan sejumlah air sesuai keterangan pada kemasan.

4. Atur program. → *Halaman 36*
5. Apabila program telah selesai, aduk bahan makanan sekali lagi.
6. Diamkan bahan makanan selama 5 hingga 10 menit untuk menyesuaikan suhu. Hasil memasak bergantung pada kualitas bahan makanan dan kondisi bahan makanan.

10.6 Program memasak kombinasi

Dengan program memasak kombinasi, kombinasikan microwave dengan pemanggang.

Program	Makanan	Pinggan	Kisaran berat dalam kg
P08	Casserole beku, hingga tinggi 3 cm	terbuka	0,40-0,90

Memasak makanan dengan program memasak kombinasi

1. Keluarkan bahan makanan dari kemasan.

2. Timbang bahan makanan. Berat diperlukan untuk mengatur program.

3. Letakkan bahan makanan pada piringan yang sesuai untuk microwave, tahan panas, dan tidak terlalu besar.
4. Atur program. → *Halaman 36*

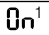
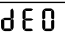
5. Jika program telah selesai, diamkan bahan makanan selama 5 hingga 10 menit untuk menyesuaikan suhu.

11 Pengaturan dasar

Anda dapat mengatur pengaturan dasar alat Anda sesuai dengan kebutuhan Anda.

11.1 Ikhtisar pengaturan dasar

Ikhtisar mengenai pengaturan dasar dan pengaturan pabrik dapat ditemukan di sini. Pengaturan dasar bergantung pada perlengkapan alat Anda.

Pengaturan	Pilihan	Arti
1 Bunyi tombol	<ul style="list-style-type: none">■ ■ OFF	Aktifkan dan nonaktifkan bunyi tombol. Catatan: Bunyi tombol tetap aktif pada start dan stop.
2 Mode demo		Aktifkan atau nonaktifkan mode demo. Catatan: Alat dimatikan. Tombol dan display dapat digunakan, tombol tidak berfungsi. Mode demo berguna terutama bagi dealer.

¹ Penyetelan pabrik (dapat berbeda sesuai tipe peralatan)

11.2 Mengubah pengaturan dasar

Persyaratan: Alat dimatikan.

1. Tekan dan tahan **start** dan **stop** selama beberapa detik.
- ✓ Display menampilkan pengaturan dasar awal.
2. Tekan **start**.
- ✓ Nilai saat ini berkedip pada display.
3. Atur nilai yang diinginkan dengan selektor putar.
4. Tekan **start** untuk menerapkan pengaturan dasar.
5. Tekan **stop** untuk keluar dari pengaturan dasar.
6. Gunakan selektor putar untuk beralih ke pengaturan dasar 2.
7. Tekan **start** untuk mengedit pengaturan dasar.
- ✓ Pilihan yang telah diatur akan menyala pada display.
8. Atur nilai yang diinginkan dengan selektor putar.
9. Tekan **start** untuk menerapkan pengaturan dasar.
10. Tekan **stop** untuk keluar dari pengaturan dasar.
11. Tekan kembali **stop** untuk keluar dari menu pengaturan dasar.

Kiat: Pengaturan dapat diubah kapan saja.



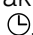
11.3 Mengubah durasi sinyal

Apabila alat mati, akan terdengar suara sinyal. Durasi sinyal dapat diubah.

- ▶ Tekan **start** selama sekitar 6 detik.
- ✓ Durasi sinyal bergantian antara pendek dan panjang.
- ✓ Alat menerapkan durasi sinyal dan menampilkan waktu.


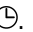
11.4 Mengatur waktu

Catatan: Setelah listrik tersambung atau listrik padam, sinyal akan berbunyi dan beberapa angka nol terlihat pada display. Hal tersebut dapat berlangsung selama beberapa detik hingga sinyal lainnya berbunyi dan waktu dapat diatur.

1. Tekan .
- ✓ 12:00 terlihat pada display. Lampu indikator pada  menyala.
2. Atur waktu dengan menggunakan selektor putar.
3. Tekan .

11.5 Menyembunyikan waktu

Waktu dapat disembunyikan untuk mengurangi penggunaan mode siaga pada alat.

1. Tekan .
2. Tekan **stop**.
Untuk menampilkan kembali waktu, tekan ulang .

12 Membersihkan dan merawat

Agar peralatan Anda tetap baik dan berfungsi normal, bersihkan dan rawat secara menyeluruh.

12.1 Bahan pembersih

Hanya gunakan bahan pembersih yang sesuai.

PERINGATAN – Risiko sengatan listrik!

Kelembapan yang masuk dapat menyebabkan kejutan listrik.

- ▶ Jangan gunakan pembersih uap atau pembersih bertekanan tinggi untuk membersihkan perangkat.

PERHATIAN!

Bahan pembersih yang tidak sesuai dapat merusak permukaan alat.

- ▶ Jangan menggunakan bahan pembersih yang keras atau abrasif.
- ▶ Jangan menggunakan bahan pembersih yang mengandung kadar alkohol tinggi.
- ▶ Jangan menggunakan spons gosok yang keras atau spons cuci.
- ▶ Jangan menggunakan pembersih khusus saat alat masih dalam kondisi panas.
- ▶ Gunakan hanya pembersih kaca, pengeruk kaca, atau produk perawatan baja tahan karat jika direkomendasikan dalam petunjuk pembersihan untuk bagian yang relevan.

Kain spons yang baru mengandung kotoran sisa produksi.

- ▶ Cuci kain spons yang baru secara menyeluruh sebelum digunakan.

Jenis bahan pembersih yang sesuai untuk permukaan dan komponen yang berbeda dapat dilihat pada petunjuk pembersihan masing-masing.

12.2 Membersihkan alat

Bersihkan alat seperti yang ditentukan agar komponen dan permukaan yang berbeda tidak rusak akibat pembersihan yang tidak tepat atau bahan pembersih yang tidak sesuai.

⚠ PERINGATAN – Risiko luka bakar!

Selama digunakan, perangkat dan bagian yang dapat disentuh menjadi panas.

- ▶ Berhati-hatilah untuk tidak menyentuh elemen pemanas.
- ▶ Jauhkan dari jangkauan anak-anak yang berusia di bawah 8 tahun.

⚠ PERINGATAN – Risiko kebakaran!

Sisa makanan, minyak, dan saus dapat terbakar.

- ▶ Sebelum mengoperasikan, bersihkan kotoran yang membandel dari ruang oven, pada elemen pemanas, dan pada aksesoris.

⚠ PERINGATAN – Risiko cedera!

Kaca yang tergores pada pintu alat dapat pecah.

- ▶ Jangan menggunakan pembersih abrasif yang kasar atau pengikis logam yang tajam untuk membersihkan kaca pintu oven karena benda tersebut dapat menggores permukaan.

1. Perhatikan petunjuk mengenai bahan pembersih. → *Halaman 38*
2. Perhatikan petunjuk mengenai pembersihan komponen atau permukaan alat.
3. Jika tidak tersedia spesifikasi lainnya:
 - Bersihkan komponen alat dengan larutan sabun yang panas dan kain lap.
 - Lalu keringkan dengan kain yang lembut.

12.3 Membersihkan ruang oven**PERHATIAN!**

Pembersihan yang tidak tepat dapat merusak ruang oven.

- ▶ Jangan gunakan penyemprot oven, pembersih abrasif atau pembersih oven abrasif lainnya.

1. Perhatikan petunjuk mengenai bahan pembersih. → *Halaman 38*
2. Bersihkan dengan larutan sabun panas atau air cuka.
3. Gunakan pembersih oven untuk noda yang membandel.
Hanya gunakan pembersih oven di dalam ruang oven yang dingin.
Kiat: Untuk menghilangkan bau tidak sedap, panaskan secangkir air dengan beberapa tetes air lemon selama 1 hingga 2 menit dengan daya microwave maksimal. Untuk mencegah superheating, selalu masukkan sendok ke dalam wadah.
4. Seka ruang oven dengan kain yang lembut.
5. Biarkan ruang oven mengering dengan pintu terbuka.

Membersihkan piring putar

1. Perhatikan petunjuk mengenai bahan pembersih. → *Halaman 38*
2. Lepaskan piring putar.
3. Bersihkan piring putar dengan larutan sabun yang panas dan kain lap.
4. Keringkan dengan kain lembut.
5. Masukkan kembali piring putar.
Pastikan piring putar terpasang dengan benar.

12.4 Membersihkan bagian depan alat**PERHATIAN!**

Pembersihan yang tidak tepat dapat merusak permukaan alat.

- ▶ Jangan gunakan pembersih kaca, pengikis logam atau pengikis kaca untuk membersihkan.
- ▶ Segera bersihkan noda kapur, lemak, noda yang membandel dan noda putih telur untuk mencegah korosi pada permukaan stainless steel.
- ▶ Gunakan produk perawatan stainless steel khusus untuk permukaan yang hangat pada permukaan stainless steel.

1. Perhatikan petunjuk mengenai bahan pembersih. → *Halaman 38*
2. Bersihkan bagian depan alat dengan larutan sabun yang panas dan kain lap.
Catatan: Sedikit perbedaan warna di bagian depan alat disebabkan oleh bahan yang berbeda, misalnya kaca, plastik atau logam.
3. Pada bagian depan alat yang berbahan stainless steel, aplikasikan tipis-tipis produk perawatan stainless steel dengan kain lembut.
Produk perawatan stainless steel dapat diperoleh di layanan pelanggan atau toko khusus.
4. Keringkan dengan kain lembut.

12.5 Membersihkan panel kontrol**PERHATIAN!**

Pembersihan yang tidak tepat dapat merusak panel kontrol.

- ▶ Jangan pernah menyeka panel kontrol hingga basah.
1. Perhatikan petunjuk mengenai bahan pembersih. → *Halaman 38*
 2. Bersihkan panel kontrol dengan kain mikrofiber atau kain yang lembut dan lembap.

3. Keringkan dengan kain lembut.

12.6 Membersihkan aksesoris

1. Perhatikan petunjuk mengenai bahan pembersih.
→ *Halaman 38*
2. Rendam sisa makanan yang melekat dengan kain lap lembap dan larutan sabun panas.
3. Bersihkan aksesoris dengan larutan sabun panas dan kain lap atau sikat pembersih.
4. Bersihkan grill dengan pembersih stainless steel atau mesin pencuci piring.
Gunakan sabut kawat atau pembersih oven untuk noda yang membandel.
5. Keringkan dengan kain lembut.

12.7 Membersihkan kaca pintu

PERHATIAN!

Pembersihan yang tidak tepat dapat merusak kaca depan.

▶ Jangan gunakan pengikis kaca.

1. Perhatikan petunjuk mengenai bahan pembersih.
→ *Halaman 38*
2. Bersihkan kaca pintu dengan kain lap yang lembap dan pembersih kaca.

Catatan: Bayangan pada kaca pintu yang terlihat seperti goresan, merupakan pantulan lampu dari pencahayaan ruang oven.

3. Keringkan dengan kain lembut.

12.8 Bantuan pembersihan

Bantuan pembersihan terkadang merupakan alternatif cepat untuk membersihkan ruang oven. Bantuan pembersihan merendam noda melalui penguapan larutan sabun. Kemudian noda dapat dibersihkan dengan lebih mudah.

Mengatur fungsi pembersihan

1. Masukkan beberapa tetes bahan pembersih ke dalam secangkir air.
2. Untuk mencegah superheating, masukkan sendok ke dalam cangkir.
3. Letakkan cangkir di bagian tengah ruang oven.
4. Atur daya microwave sebesar 600 W.
5. Atur waktu memasak selama 3 menit.
6. Mulai operasikan microwave.
7. Setelah durasi berakhir, biarkan pintu tertutup selama 3 menit.
8. Seka ruang oven dengan kain yang lembut.
9. Biarkan ruang oven mengering dengan pintu terbuka.

13 Pemecahan masalah

Gangguan kecil pada alat dapat Anda atasi sendiri. Gunakan informasi tentang mengatasi gangguan sebelum Anda menghubungi layanan pelanggan. Dengan begitu, Anda dapat menghindari biaya yang tidak perlu.

⚠ PERINGATAN – Risiko cedera!

Reparasi yang tidak tepat dapat membahayakan.

- ▶ Hanya teknisi ahli yang dapat melakukan reparasi pada perangkat.
- ▶ Jika perangkat rusak, hubungi layanan pelanggan.
→ "*Layanan pelanggan*", *Halaman 41*

⚠ PERINGATAN – Risiko sengatan listrik!

Reparasi yang tidak tepat dapat membahayakan.

- ▶ Hanya teknisi ahli yang boleh melakukan perbaikan pada alat.
- ▶ Hanya komponen pengganti asli yang boleh digunakan untuk perbaikan peralatan.
- ▶ Jika kabel daya perangkat ini rusak, kabel ini harus digantikan oleh pihak produsen atau layanan pelanggan atau seorang yang ahli, untuk menghindari terjadinya adanya bahaya.

13.1 Gangguan fungsi

Gangguan	Penyebab dan pemecahan masalah
Perangkat tidak berfungsi.	Steker kabel tidak terpasang. ▶ Hubungkan peralatan ke jaringan listrik.
	Sekring di kotak sekering telah terpicu. ▶ Periksa sekering di kotak sekering.
	Suplai daya gagal. ▶ Periksa apakah penerangan ruang atau peralatan lain di dalam ruang berfungsi dengan benar.
Gangguan fungsi	1. Matikan sekering di kotak sekering. 2. Hidupkan sekering kembali setelah sekitar 10 detik. ✓ Jika gangguan hanya terjadi sekali, pesan akan menghilang. 3. Jika pesan muncul lagi, hubungi layanan purna jual. Harap jelaskan pesan kesalahan yang tepat saat menghubungi. → " <i>Layanan pelanggan</i> ", <i>Halaman 41</i>
	Pintu tidak tertutup sepenuhnya. ▶ Periksa apakah terdapat sisa makanan atau benda asing yang menempel pada pintu.

Gangguan	Penyebab dan pemecahan masalah
Makanan menjadi lebih lama panas daripada sebelumnya.	<p>Daya microwave diatur terlalu rendah.</p> <ul style="list-style-type: none"> ▶ Atur daya microwave lebih tinggi. → <i>Halaman 35</i> <p>Makanan dengan kuantitas yang lebih besar dari biasanya dimasukkan ke dalam alat.</p> <ul style="list-style-type: none"> ▶ Atur durasi yang lebih lama. Untuk jumlah yang banyak diperlukan waktu yang lebih lama. <p>Makanan lebih dingin dari biasanya.</p> <ul style="list-style-type: none"> ▶ Sesekali balik atau aduk makanan.
Piring putar menggores atau menoreh.	<p>Kotoran atau benda asing berada di area penggerak piring putar.</p> <ul style="list-style-type: none"> ▶ Bersihkan cincin rol dan celah ruang oven.
Mode microwave berhenti.	<p>Alat mengalami malafungsi.</p> <ul style="list-style-type: none"> ▶ Apabila kerusakan ini kembali muncul, hubungi layanan pelanggan.
Alat tidak berfungsi. Durasi muncul pada display.	<p>Area pengaturan dioperasikan secara tidak sengaja.</p> <ul style="list-style-type: none"> ▶ Tekan <i>stop</i>. <p>Setelah menyetel, <i>start</i> tidak ditekan.</p> <ul style="list-style-type: none"> ▶ Tekan <i>start</i> atau batalkan pengaturan dengan menekan <i>stop</i>.
Pada display akan muncul tiga nol.	<p>Suplai daya gagal.</p> <ul style="list-style-type: none"> ▶ Atur ulang waktu. → "<i>Menjalankan pengoperasian pertama kali</i>", <i>Halaman 33</i>
M muncul pada display.	<p>Mode demo diaktifkan.</p> <ul style="list-style-type: none"> ▶ Nonaktifkan mode demo. → "<i>Pengaturan dasar</i>", <i>Halaman 38</i>
Pesan E 3 muncul pada display.	<p>Gangguan pada sistem pembuka pintu otomatis.</p> <ol style="list-style-type: none"> 1. Matikan perangkat. 2. Tunggu selama 10 menit. 3. Hidupkan alat kembali. <ul style="list-style-type: none"> ▶ Apabila kerusakan ini kembali muncul, hubungi layanan pelanggan.

14 Membuang peralatan Anda

14.1 Membuang peralatan lama Anda

Bahan mentah yang berharga dapat digunakan kembali dengan mendaur ulang peralatan.

1. Cabut steker jaringan kabel daya.
2. Potong kabel daya.
3. Singkirkan alat dengan cara yang ramah lingkungan.

Anda dapat mendapatkan informasi terkait jalur pembuangan yang aktual dari agen penjualan atau dari pemerintah desa atau kota.



Perangkat ini diberi label sesuai dengan European Directive 2012/19/EU menyangkut peralatan listrik dan elektronik (peralatan listrik dan elektronik bekas – WEEE). Panduan tersebut menetapkan kerangka untuk pengembalian dan pendaurulangan peralatan bekas yang berlaku di seluruh UE.

15 Layanan pelanggan

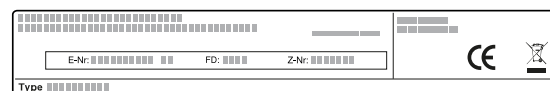
Informasi terperinci mengenai masa dan syarat garansi di negara Anda dapat diperoleh melalui layanan pelanggan atau di situs web kami.

Saat Anda menghubungi layanan pelanggan, Anda memerlukan nomor produk (E-Nr.) dan nomor seri produksi (FD) peralatan Anda.

Data kontak layanan pelanggan dapat Anda temukan di direktori layanan pelanggan atau di situs web kami. Produk ini memiliki sumber cahaya dengan efisiensi energi kelas G. Sumber cahaya tersedia sebagai suku cadang dan dapat diganti hanya oleh staf ahli yang terlatih.

15.1 Nomor seri (E-Nr.) dan nomor seri produksi (FD)

Nomor produk (E-Nr.) dan nomor seri produksi (FD) dapat ditemukan di label tipe perangkat. Pelat label dengan nomor-nomor tersebut dapat ditemukan di balik pintu peralatan saat Anda membukanya.



Untuk kembali menemukan data peralatan dan nomor telepon layanan pelanggan dengan cepat, Anda dapat mencatat data-data tersebut.

16 Cara kerja

Pengaturan yang ideal untuk berbagai hidangan serta aksesoris dan peralatan masak terbaik dapat ditemukan di sini. Kami telah menyesuaikan rekomendasi ini untuk alat Anda.

16.1 Berikut merupakan cara terbaik untuk melanjutkan proses

Temukan cara paling optimal untuk melanjutkan tahapan proses agar rekomendasi pengaturan dapat digunakan dengan maksimal di sini. Pengguna akan memperoleh informasi seputar berbagai macam hidangan beserta instruksi dan tips tentang cara menggunakan dan mengatur alat secara ideal.

Catatan:

- Rekomendasi pengaturan selalu berlaku untuk ruang oven yang dingin dan kosong.
- Keterangan waktu di dalam ikhtisar merupakan nilai standar. Informasi tersebut didasarkan pada kualitas dan kondisi bahan makanan.

⚠ PERINGATAN – Risiko luka bakar!

Bahan makanan dengan cangkang atau kulit yang keras dapat retak/meledak saat ataupun setelah proses pemanasan.

- ▶ Jangan pernah memasak telur atau memanaskan telur rebus tanpa dikupas.
- ▶ Jangan pernah memasak kerang dan udang-udangan.
- ▶ Tusuk bagian kuning telur terlebih dahulu untuk telur mata sapi atau telur rebus yang disajikan dalam gelas.
- ▶ Pada bahan makanan dengan cangkang atau kulit yang keras, seperti misalnya apel, tomat, kentang atau sosis, kulitnya dapat retak/pecah. Tusuk cangkang atau kulit sebelum dipanaskan.

Makanan yang dipanaskan mengeluarkan panas. Wadah makanan dapat menjadi panas.

- ▶ Selalu keluarkan wadah makanan atau aksesoris dari ruang oven menggunakan sarung tangan oven.

1. Keluarkan peralatan memasak yang tidak diperlukan dari dalam ruang oven sebelum digunakan.
2. Pilih makanan yang diinginkan dari rekomendasi pengaturan.
3. Letakkan makanan di pinggan yang sesuai.
→ "*Pinggan dan aksesoris yang sesuai untuk microwave*", Halaman 34
4. Letakkan pinggan di atas piring putar.
5. Atur alat sesuai rekomendasi pengaturan.
Pertama, atur durasi memasak yang lebih singkat. Jika perlu, perpanjang durasi memasak. Jika daya dan durasi microwave telah tertera di dalam tabel daya, atur daya dan durasi microwave pertama terlebih dahulu, kemudian yang kedua setelah sinyal. Jika Anda ingin memasak dalam jumlah yang berbeda dari tabel, atur durasi dua kali lebih lama untuk jumlah dua kali lipat.

6. Gunakan sarung tangan oven saat mengeluarkan peralatan memasak yang panas dari ruang oven.

16.2 Tips menghilangkan beku dan memanaskan

Perhatikan tips berikut untuk mendapatkan hasil penghilangan beku dan pemanasan yang baik.

Masalah	Tips
Jika durasi memasak telah berakhir, makanan harus panas, matang atau tidak lagi beku.	Atur durasi yang lebih lama. Jumlah yang lebih besar dan makanan yang lebih tebal memerlukan waktu yang lebih lama.
Setelah durasi memasak berakhir, makanan tidak boleh terlalu panas pada bagian pinggir dan bagian tengah matang.	<ul style="list-style-type: none"> ▪ Sesekali aduk makanan. ▪ Atur daya microwave lebih rendah dan durasi lebih lama.
Setelah penghilangan beku, daging merah atau daging unggas tidak hanya matang di bagian luar, namun di bagian tengah masih beku.	<ul style="list-style-type: none"> ▪ Atur daya microwave lebih rendah. ▪ Pada jumlah besar, balik beberapa kali makanan yang sudah tidak lagi beku.
Makanan tidak boleh terlalu kering.	<ul style="list-style-type: none"> ▪ Atur daya microwave lebih rendah. ▪ Atur durasi yang lebih singkat. ▪ Tutupi makanan. ▪ Tambahkan lebih banyak cairan.

16.3 Penghilangan beku

Beku pada makanan dapat dihilangkan menggunakan alat ini.

Menghilangkan beku pada makanan

1. Letakkan bahan makanan yang beku di wadah yang terbuka di atas piring putar.
Bagian yang lunak dapat ditutup dengan sedikit aluminium foil seperti misalnya kaki dan sayap ayam atau bagian tepi daging panggang yang berlemak. Aluminium foil tidak boleh menyentuh dinding oven.
2. Mulai pengoperasian.
Setelah beberapa saat, aluminium foil dapat dilepas.
3. **Catatan:** Saat menghilangkan beku pada daging merah dan daging unggas, akan keluar cairan.
Buang cairan saat membalik dan jangan gunakan kembali atau mencampurkannya dengan bahan makanan lainnya.
4. Sesekali aduk atau balik makanan satu hingga dua kali.

- Balik potongan yang berukuran besar beberapa kali.
5. Diamkan makanan yang tidak lagi beku selama 10 hingga 20 menit pada suhu ruangan untuk menyesuaikan suhu.

Anda dapat mengeluarkan jeroan daging unggas. Daging juga tetap dapat dimasak dengan bagian dalam yang masih beku.

Menghilangkan beku dengan microwave

Perhatikan rekomendasi pengaturan untuk menghilangkan beku pada makanan yang beku dengan microwave.

Makanan	Berat dalam g	Daya microwave dalam watt	Durasi dalam menit
Daging utuh dari daging sapi, daging sapi muda atau daging babi dengan dan tanpa tulang	800	1. 180 2. 90	1. 15 2. 10 - 20
Daging utuh dari daging sapi, daging sapi muda atau daging babi dengan dan tanpa tulang	1000	1. 180 2. 90	1. 20 2. 15 - 25
Daging utuh dari daging sapi, daging sapi muda atau daging babi dengan dan tanpa tulang	1500	1. 180 2. 90	1. 30 2. 20 - 30
Potongan daging atau irisan daging sapi, daging sapi muda atau daging babi	200	1. 180 2. 90	1. 2 ¹ 2. 4 - 6
Potongan daging atau irisan daging sapi, daging sapi muda atau daging babi	500	1. 180 2. 90	1. 5 ¹ 2. 5 - 10
Potongan daging atau irisan daging sapi, daging sapi muda atau daging babi	800	1. 180 2. 90	1. 8 ¹ 2. 10 - 15
Daging cincang, dicampur ^{2, 3}	200	90	10 ⁴
Daging cincang, dicampur ^{2, 3}	500	1. 180 2. 90	1. 5 ⁴ 2. 10 - 15
Daging cincang, dicampur ^{2, 3}	800	1. 180 2. 90	1. 8 ⁴ 2. 10 - 20
Daging unggas atau potongan daging unggas ⁵	600	1. 180 2. 90	1. 8 2. 10 - 20
Daging unggas atau potongan daging unggas ⁵	1200	1. 180 2. 90	1. 15 2. 10 - 20
Filet ikan, steak ikan atau irisan ikan ⁵	400	1. 180 2. 90	1. 5 2. 10 - 15
Sayur-sayuran, misalnya kacang polong	300	180	10 - 15
Buah-buahan, misalnya rasberi ⁵	300	180	7 - 10 ⁶
Buah-buahan, misalnya rasberi ⁵	500	1. 180 2. 90	1. 8 ⁶ 2. 5 - 10
Mentega, mencairkan ⁷	125	1. 180 2. 90	1. 1 2. 2 - 3
Mentega, mencairkan ⁷	250	1. 180 2. 90	1. 1 2. 3 - 4
Roti utuh	500	1. 180 2. 90	1. 6 2. 5 - 10
Roti utuh	1000	1. 180 2. 90	1. 12 2. 10 - 20
Kue, mengeringkan, misalnya pound cake ^{8, 9}	500	90	10 - 15

¹ Pisahkan bagian yang tidak lagi beku satu sama lain pada saat membalik.

² Bekukan hidangan secara merata.

³ Angkat daging yang telah lumer.

⁴ Balik hidangan beberapa kali.

⁵ Pisahkan bagian yang lumer.

⁶ Sesekali aduk hidangan dengan hati-hati.

⁷ Buka kemasan sepenuhnya.

⁸ Hanya cairkan kue tanpa icing, krim, agar-agar, atau krim.

⁹ Pisahkan potongan kue satu sama lain.

Makanan	Berat dalam g	Daya microwave dalam watt	Durasi dalam menit
Kue, mengeringkan, misalnya pound cake ^{8,9}	750	1. 180 2. 90	1. 5 2. 10 - 15
Kue, basah, misalnya pai buah, kue quark ⁸	500	1. 180 2. 90	1. 5 2. 15 - 20
Kue, basah, misalnya pai buah, kue quark ⁸	750	1. 180 2. 90	1. 7 2. 15 - 20

¹ Pisahkan bagian yang tidak lagi beku satu sama lain pada saat membalik.

² Bekukan hidangan secara merata.

³ Angkat daging yang telah lumer.

⁴ Balik hidangan beberapa kali.

⁵ Pisahkan bagian yang lumer.

⁶ Sesekali aduk hidangan dengan hati-hati.

⁷ Buka kemasan sepenuhnya.

⁸ Hanya cairkan kue tanpa icing, krim, agar-agar, atau krim.

⁹ Pisahkan potongan kue satu sama lain.

16.4 Memanaskan

Makanan dapat dipanaskan menggunakan alat ini.

Memanaskan makanan

⚠ PERINGATAN – Risiko luka bakar!

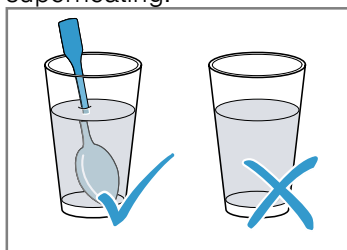
Makanan yang dipanaskan mengeluarkan panas. Wadah makanan dapat menjadi panas.

- ▶ Selalu keluarkan wadah makanan atau aksesoris dari ruang oven menggunakan sarung tangan oven.

⚠ PERINGATAN – Risiko melepuh!

Pada saat memanaskan cairan dapat terjadi pemanasan lanjutan (superheat). Hal ini berarti, suhu didih telah tercapai, namun tidak diikuti munculnya gelembung uap seperti biasanya. Berhati-hatilah saat terjadi getaran yang rendah pada wadah saat memasak. Cairan panas dapat tiba-tiba meluap dan memercik ke luar.

- ▶ Saat memanaskan sesuatu, selalu masukkan sendok ke dalam wadah. Hal tersebut akan mencegah superheating.



PERHATIAN!

Jika logam menyentuh dinding ruang oven, akan timbul percikan api yang dapat merusak alat atau kaca pintu bagian dalam.

- ▶ Logam, misalnya sendok di dalam gelas harus berada minimal 2 cm dari dinding ruang oven dan sisi dalam pintu.

1. Keluarkan makanan instan dari kemasannya dan letakkan di atas piringan yang sesuai untuk microwave.
2. Ratakan makanan di piringan.
3. Tutupi makanan dengan penutup, piring, atau aluminium foil khusus microwave yang sesuai.
4. Mulai pengoperasian.
5. Sesekali aduk atau balik makanan. Komponen makanan yang berbeda dapat memanaskan dengan kecepatan berbeda.
6. Kontrol suhu.
7. Diamkan makanan yang dipanaskan selama 2-5 menit pada suhu ruangan untuk menyesuaikan suhu.

Memanaskan makanan beku dengan microwave

Perhatikan rekomendasi pengaturan untuk memanaskan makanan beku dengan microwave.

Makanan	Berat dalam g	Daya microwave dalam watt	Durasi dalam menit
Menu, hidangan di piring, makanan instan dengan 2-3 komposisi	300 - 400	600	8 - 11
Sup	400	600	8 - 10
Rebusan	500	600	10 - 13

¹ Pisahkan bagian daging satu sama lain pada saat mengaduk.

² Tambahkan sedikit cairan pada hidangan.

³ Masukkan air ke dalam piringan.

⁴ Olah hidangan tanpa tambahan air.

Makanan	Berat dalam g	Daya microwave dalam watt	Durasi dalam menit
Irisan daging atau potongan daging dengan saus, misalnya goulash	500	600	12 - 17 ¹
Casserole, misalnya lasagna, cannelloni	450	600	10 - 15
Makanan pokok, misalnya nasi, mie ²	250	600	2 - 5
Makanan pokok, misalnya nasi, mie ²	500	600	8 - 10
Sayuran, misalnya kacang polong, brokoli, wortel ³	300	600	8 - 10
Sayuran, misalnya kacang polong, brokoli, wortel ³	600	600	14 - 17
Bayam krim ⁴	450	600	11 - 16

¹ Pisakan bagian daging satu sama lain pada saat mengaduk.
² Tambahkan sedikit cairan pada hidangan.
³ Masukkan air ke dalam piringan.
⁴ Olah hidangan tanpa tambahan air.

Memanaskan dengan microwave

Perhatikan rekomendasi pengaturan untuk memanaskan dengan microwave.

Makanan	Jumlah	Daya microwave dalam watt	Durasi dalam menit
Minuman ¹	200 ml	800	2 - 3 ^{2,3}
Minuman ¹	500 ml	800	3 - 4 ^{2,3}
Makanan bayi, misalnya botol susu ⁴	50 ml	360	sekitar 0,5 ^{5,6}
Makanan bayi, misalnya botol susu ⁴	100 ml	360	sekitar 1 ^{5,6}
Makanan bayi, misalnya botol susu ⁴	200 ml	360	1,5 ^{5,6}
Sup 1 cangkir	200 g	600	2 - 3
Sup 2 cangkir	400 g	600	4 - 5
Menu, hidangan di piring, makanan instan dengan 2-3 komposisi	350 - 500 g	600	4 - 8
Daging dengan saos ⁷	500 g	600	8 - 11
Rebusan	400 g	600	6 - 8
Rebusan	800 g	600	8 - 11
Sayur-sayuran, 1 porsi ⁸	150 g	600	2 - 3
Sayur-sayuran, 2 porsi ⁸	300 g	600	3 - 5

¹ Masukkan sendok ke dalam gelas.

² Jangan memanaskan minuman beralkohol.

³ Periksa hidangan sesekali.

⁴ Hangatkan makanan bayi tanpa tutup dot atau penutup.

⁵ Selalu kocok hidangan dengan benar setelah dipanaskan.

⁶ Kontrol suhu dengan saksama.

⁷ Pisahkan potongan daging satu sama lain.

⁸ Tambahkan sedikit cairan pada hidangan.

16.5 Memasak

Anda dapat memasak makanan menggunakan alat ini.

Memasak makanan

PERINGATAN – Risiko luka bakar!

Makanan yang dipanaskan mengeluarkan panas. Wadah makanan dapat menjadi panas.

► Selalu keluarkan wadah makanan atau aksesori dari ruang oven menggunakan sarung tangan oven.

1. Periksa apakah piringan sesuai untuk ruang oven dan piring putar dapat berputar dengan baik.
 - Gunakan loyang yang tinggi untuk memanggang.

- Gunakan piringan yang besar dan datar untuk casserole atau gratin.
2. Ratakan makanan di piringan.
 3. Pada saat memasak dengan microwave, tutupi makanan dengan penutup, piring, aluminium foil khusus microwave yang sesuai.
 - Jangan tutup makanan saat memanggang.
 - Jangan tutupi makanan saat mengombinasikan microwave dan pemanggang.
 4. Letakkan piringan di atas piring putar.
 - Letakan pemanggang di atas piring putar saat memanggang. Jangan melakukan pemanasan awal.

id Cara kerja

5. Mulai pengoperasian.
6. Diamkan makanan yang dipanaskan selama 2-5 menit pada suhu ruangan untuk menyesuaikan suhu.
 - Diamkan daging selama 5-10 menit sebelum dipotong.




- Diamkan casserole dan gratin selama 5 menit dalam alat yang dimatikan.

Kiat: Selalu gunakan tusuk sate dari kayu untuk tusuk sate ikan atau tusuk sate sayuran.

Memasak dengan microwave

Makanan	Jumlah	Aksesori	Daya microwave dalam watt	Jenis pemanasan	Durasi dalam menit	Petunjuk
Daging ayam utuh, segar, tanpa jeroan	1200 g	Alat masak dengan tutup	600	-	25 – 30	Balik makanan setelah setengah waktu memasak berjalan.
Potongan daging ayam, misalnya bagian paha atas	800 g	Alat masak tanpa tutup + Rak kawat	360	☐	30 – 40	Letakkan dengan bagian kulit menghadap ke atas. Jangan balik makanan.
sayap ayam, dimarinade dan dibekukan	800 g	Alat masak tanpa tutup + Rak kawat	360	☐	15 – 25	Jangan balik makanan.
Daging babi tanpa kulit, misalnya bagian leher	750 g	Alat masak tanpa tutup	360	☐	40 – 50	Balik hidangan 1 hingga 2 kali.
Potongan daging	sekitar 8 potong	Rak kawat	180	☐	10 – 15	-
Meatloaf	750 g	Alat masak tanpa tutup	1. 600 2. 360	1. - 2. ☐	1. 20 – 25 2. 25 – 35	Masak makanan tanpa penutup. Tebal maksimal makanan yakni 6 cm.
Ikan, misalnya potongan filet	400 g	Alat masak tanpa tutup	600	-	10 – 15	Tambahkan sedikit air, air lemon atau anggur ke dalam makanan.
Filet ikan, au gratin	400 g	Alat masak tanpa tutup	360	☐	10 – 15	Hilangkan beku es pada ikan terlebih dulu.
Sate ikan	4-5 tusuk	Rak kawat	180	☐	10 – 15	Gunakan tusuk sate dari kayu.
Kaserol, manis, misalnya casserole quark dengan buah-buahan	1000 g	Alat masak tanpa tutup	360	☐	30 – 35	Tebal maksimal makanan yakni 5 cm.
Kaserol, gurih yang terbuat dari bahan-bahan mentah, misalnya kaserol pasta	1000 g	Alat masak tanpa tutup	360	☐	30 – 35	Taburi keju pada makanan. Tebal maksimal makanan yakni 5 cm.
Kaserol, gurih yang terbuat dari bahan-bahan matang, misalnya potato au gratin	1000 g	Alat masak tanpa tutup	360	☐	30 – 40	Tebal maksimal makanan yakni 4 cm.
Sup, au gratin, misalnya sup bawang	2-4 cangkir	Alat masak tanpa tutup	-	☐	15 – 20	-

¹ Sesekali aduk hidangan dengan hati-hati.

Makanan	Jumlah	Aksesori	Daya microwave dalam watt	Jenis pemanasan	Durasi dalam menit	Petunjuk
Sayuran, segar	250 g	Alat masak dengan tutup	600	-	5 – 10 ¹	Potong-potong bahan makanan menjadi potongan dengan ukuran yang sama. Tambahkan 1 hingga 2 sendok makan air untuk setiap 100 g. Sese kali aduk makanan.
Sayuran, segar	500 g	Alat masak dengan tutup	600	-	10 – 15 ¹	-
Sate sayuran	4-5 tusuk	Rak kawat	180		15 – 20	Gunakan tusuk sate dari kayu.
Kentang	250 g	Alat masak dengan tutup	600	-	8 – 10 ¹	Potong-potong bahan makanan menjadi potongan dengan ukuran yang sama. Tambahkan 1 hingga 2 sendok makan air untuk setiap 100 g. Sese kali aduk makanan.
Kentang	500 g	Alat masak dengan tutup	600	-	11 – 14 ¹	Potong-potong bahan makanan menjadi potongan dengan ukuran yang sama. Tambahkan 1 hingga 2 sendok makan air untuk setiap 100 g. Sese kali aduk makanan.
Kentang	750 g	Alat masak dengan tutup	600	-	15 – 22 ¹	Potong-potong bahan makanan menjadi potongan dengan ukuran yang sama. Tambahkan 1 hingga 2 sendok makan air untuk setiap 100 g. Sese kali aduk makanan.
Nasi	125 g	Alat masak dengan tutup	1. 900 2. 180	1. - 2. -	1. 5 – 7 2. 12 – 15	Tambahkan cairan sebanyak dua kali lipat.
Nasi	250 g	Alat masak dengan tutup	1. 900 2. 180	1. - 2. -	1. 6 – 8 2. 15 – 18	Tambahkan cairan sebanyak dua kali lipat.
Memanggang awal roti tawar	2-4 potong	Rak kawat	-		sisi 1: 2 – 4 sisi 2: 2 – 4	-
Memanggang roti tawar	2-6 potong	Rak kawat	-		7 – 10	Durasi bervariasi menyesuaikan topping.
Buah-buahan, setup buah	500 g	Alat masak dengan tutup	600	-	9 – 12	-
Hidangan penutup, misalnya puding, instan	500 ml	Alat masak dengan tutup	600	-	5 – 8	Sese kali aduk puding sebanyak 2 hingga 3 kali menggunakan pengaduk.

¹ Sese kali aduk hidangan dengan hati-hati.

Puding yang terbuat dari bubuk puding

PERINGATAN – Risiko luka bakar!

Makanan yang dipanaskan mengeluarkan panas. Wadah makanan dapat menjadi panas.

- ▶ Selalu keluarkan wadah makanan atau aksesori dari ruang oven menggunakan sarung tangan oven.

1. Aduk sebungkus bubuk puding dengan gula dan sedikit susu dalam mangkuk tinggi yang sesuai untuk microwave sesuai petunjuk pada kemasannya sehingga adonan puding tidak menggumpal.
2. Tambahkan sisa susu dan aduk kembali.
3. Letakkan mangkuk di ruang oven dan tutup pintu oven.

4. Atur alat sesuai rekomendasi pengaturan.
5. Aduk untuk pertama kalinya setelah 3 menit. Kemudian aduk setiap menit hingga mencapai kekentalan yang diinginkan.

Durasi bergantung pada suhu susu dan wadah yang digunakan.

16.6 Laporan pemeriksaan

Ikhtisar ini dibuat untuk lembaga pengujian agar mempermudah pemeriksaan alat sesuai dengan EN 60350-1: 2013 atau IEC 60350-1: 2011 dan sesuai dengan standar EN 60705: 2012, IEC 60705: 2010.

Memasak dengan microwave


Makanan	Daya microwave dalam watt	Durasi dalam menit	Petunjuk
Campuran susu telur, 750 g	1. 360 2. 90	1. 12 - 17 2. 20 - 25	Letakkan piringan pyrex ukuran 20 x 25 cm di atas piring putar.
Biskuit	600	8 - 10	Letakkan piringan pyrex Ø 22 cm di atas piring putar.
Daging cincang gulung	600	20 - 25	Letakkan piringan pyrex di atas piring putar.

Menghilangkan beku dengan microwave

Rekomendasi pengaturan untuk menghilangkan beku dengan microwave.

Makanan	Daya microwave dalam watt	Durasi dalam menit	Petunjuk
Daging	1. 180 2. 90	1. 5 - 7 2. 10 - 15	Letakkan piringan kaca pyrex Ø 22 cm di atas piring putar.

Memasak dikombinasikan dengan microwave

Makanan	Daya microwave dalam watt	Jenis pemanasan	Durasi dalam menit	Petunjuk
Potato gratin	360		35-40	Letakkan kaca piringan pyrex Ø 22 cm di atas piring putar.

17 Instruksi pemasangan

Perhatikan informasi ini saat memasang perangkat.



17.1 Pemasangan yang aman

Perhatikan petunjuk keselamatan ini saat memasang alat.

- Pemasangan yang sesuai dengan petunjuk perakitan dapat menjamin keamanan saat penggunaan. Teknisi pemasangan bertanggung jawab atas fungsi peralatan yang tepat pada lokasi pemasangan.
- Periksa alat setelah dikeluarkan dari kemasan. Jangan memasang alat jika terdapat kerusakan akibat pengangkutan.
- Saat menggunakan alat untuk pertama kali, lepaskan material pembungkus dan foil yang menempel pada pintu serta ruang oven.
- Jangan pernah melepaskan foil transparan pada bagian dalam pintu.
- Perhatikan lembar perakitan untuk pemasangan komponen aksesori.
- Furnitur built-in harus tahan terhadap suhu mencapai 95°C, sedangkan sisi depan furnitur yang berdekatan harus memiliki ketahanan hingga 70°C.

- Jangan memasang alat di belakang dekor atau pintu. Terdapat bahaya akibat suhu yang terlalu tinggi.
- Potong furnitur sebelum memasukkan alat. Bersihkan serpihan. Fungsi komponen listrik dapat terganggu.
- Hanya teknisi ahli resmi yang boleh menghubungkan peralatan tanpa steker. Jika terjadi kerusakan akibat koneksi yang salah, klaim garansi akan dibatalkan.

⚠ PERINGATAN – Risiko cedera!

Bagian alat yang mudah dijangkau ketika pemasangan mungkin memiliki tepian yang tajam dan dapat menyebabkan goresan.

- ▶ Kenakan sarung tangan pelindung.

⚠ PERINGATAN – Risiko kebakaran!

Penggunaan kabel daya yang diperpanjang dan adaptor yang tidak diizinkan akan membahayakan.

- ▶ Jangan gunakan kabel perpanjangan atau strip stopkontak ganda.
- ▶ Hanya gunakan adaptor dan kabel daya yang disetujui oleh pabrikan.
- ▶ Jika kabel sambungan listrik terlalu pendek dan kabel sambungan listrik tidak tersedia lagi, hubungi teknisi listrik untuk menyesuaikan pemasangan di rumah.

17.2 Sambungan listrik

Perhatikan petunjuk ini untuk dapat menyambungkan alat dengan daya listrik secara aman.

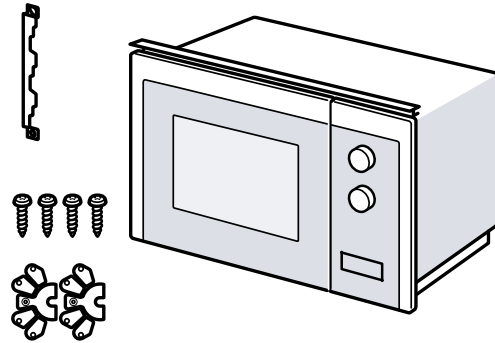
⚠ PERINGATAN – Risiko sengatan listrik!

Pemasangan yang tidak tepat akan membahayakan.

- ▶ Pemasangan stopkontak atau penggantian kabel konektor hanya boleh dilakukan oleh teknisi listrik dengan memperhatikan peraturan terkait.
- ▶ Hanya sambungkan alat ke stopkontak dengan sistem grounding yang terpasang dengan benar.
- ▶ Gunakan separator dengan jarak minimal 3 mm jika steker tidak dapat dijangkau lagi setelah pemasangan. Perhatikan keamanan terhadap sengatan listrik selama pemasangan.

17.3 Lingkup pengiriman

Periksa semua komponen apakah ada kerusakan saat pengangkutan dan kelengkapan pengiriman.



17.4 Furnitur built-in

Petunjuk mengenai pemasangan yang aman dapat dilihat di sini.

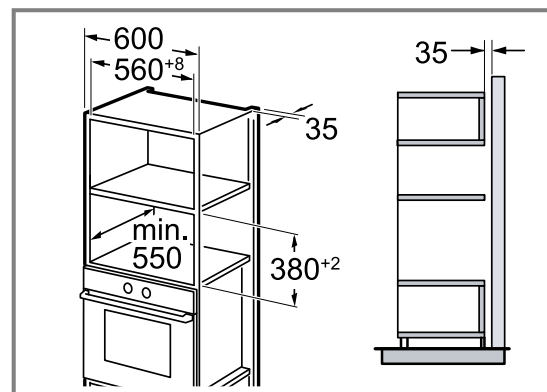
PERHATIAN!

Serpihan dapat mengganggu fungsi komponen listrik.

- ▶ Jika diperlukan, potong furnitur sebelum memasukkan alat.
- ▶ Bersihkan serpihan.
- Tinggi pemasangan minimal sebesar 850 mm.
- Pada kabinet built-in, di belakang alat tidak boleh terdapat dinding.
- Slot ventilasi dan bukaan pengisapan tidak boleh tertutup.
- Furnitur built-in harus tahan terhadap panas hingga 90°C, sedangkan sisi depan furnitur yang berdekatan harus memiliki ketahanan hingga suhu 65°C.
- Alat ini tidak cocok untuk dipasang pada perabot dapur tanpa handel dengan bilah handel vertikal.

17.5 Dimensi pemasangan pada kabinet tinggi

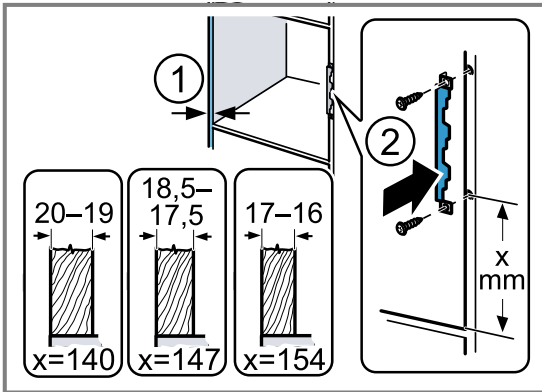
Perhatikan dimensi pemasangan dan jarak aman pada kabinet tinggi.



17.6 Menyiapkan kabinet tinggi

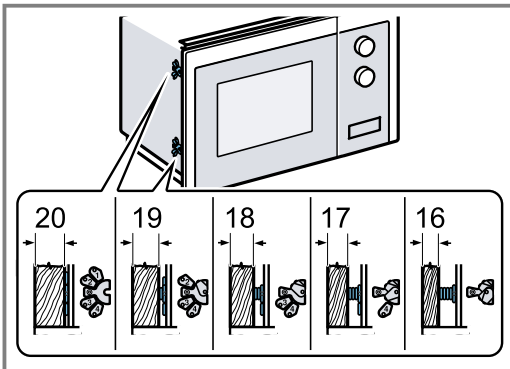
1. Tentukan ketebalan dinding furnitur. ①
Ketebalan dinding ditetapkan dengan nilai x.

2. **Catatan:** Nilai x sesuai dengan jarak dari lubang bawah pelat sambungan ke dasar furnitur built-in. ② Kencangkan pelat sambungan ke kabinet tinggi. ③ Oleh karena itu, perhatikan nilai x yang ditentukan.

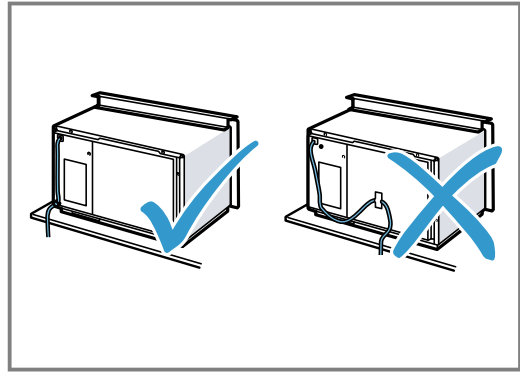


17.7 Memasang alat

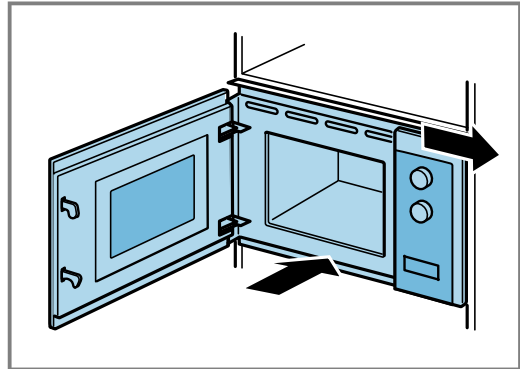
1. Kencangkan spacer pada alat sesuai dengan ketebalan dinding.



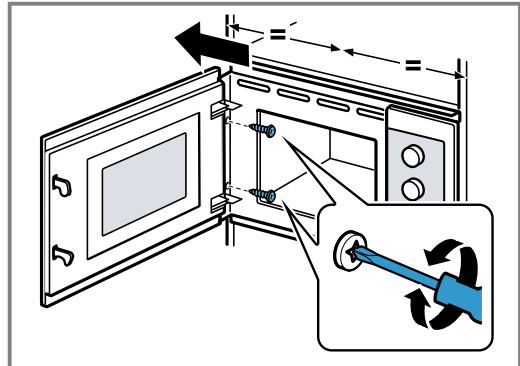
2. **Catatan:** Jangan jepit atau tekuk kabel sambungan.



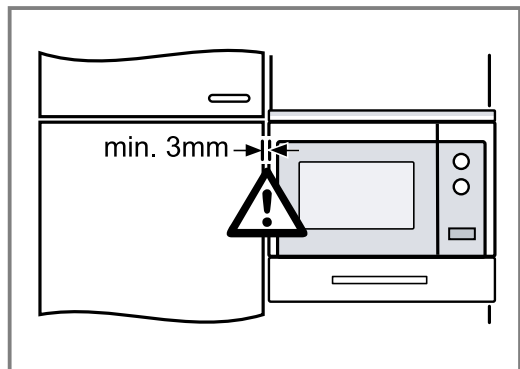
Masukkan alat ke dalam kabinet dan geser ke kanan.



3. Kencangkan alat hingga alat berada di posisi tengah.



4. Periksa jarak alat dengan alat yang berada di sampingnya.



Jarak dengan alat yang berada di sampingnya setidaknya harus sekitar 3 mm.

5. Lepaskan material pembungkus dan foil yang menempel pada pintu serta ruang oven.



A series of horizontal lines for writing, starting from the top of the page and extending to the bottom, providing a template for text entry.



Thank you for buying a Bosch Home Appliance!

Register your new device on MyBosch now and profit directly from:

- **Expert tips & tricks for your appliance**
- **Warranty extension options**
- **Discounts for accessories & spare-parts**
- **Digital manual and all appliance data at hand**
- **Easy access to Bosch Home Appliances Service**

Free and easy registration – also on mobile phones:

www.bosch-home.com/welcome

BOSCH
HOME APPLIANCES
SERVICE

Looking for help? You'll find it here.

Expert advice for your Bosch home appliances, help with problems or a repair from Bosch experts.

Find out everything about the many ways Bosch can support you:

www.bosch-home.com/service

Contact data of all countries are listed in the attached service directory.

BSH Hausgeräte GmbH

Carl-Wery-Straße 34
81739 München, GERMANY
www.bosch-home.com

A Bosch Company



9001610828 (040410) 1.42.BHA1.01002.1018

en, id

Valid within Great Britain:
Imported to Great Britain by
BSH Home Appliances Ltd.
Grand Union House
Old Wolverton Road
Wolverton, Milton Keynes
MK12 5PT
United Kingdom