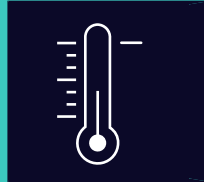


SIEMENS

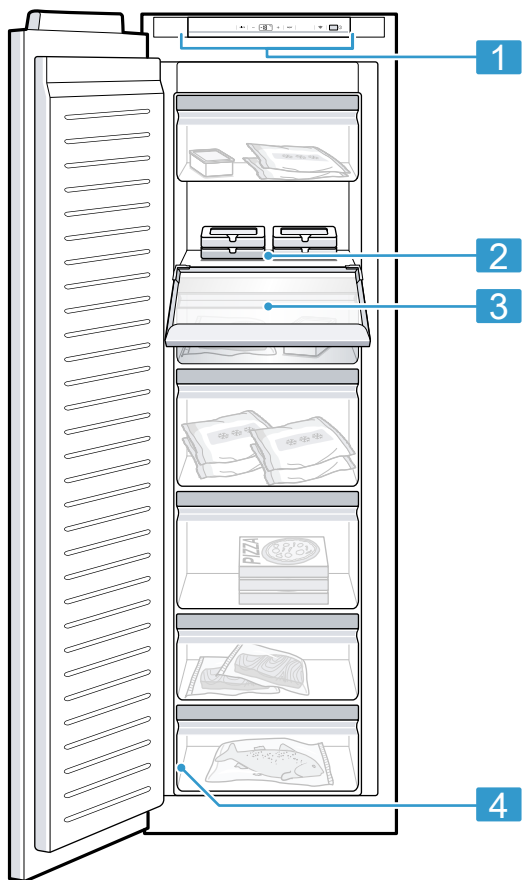
G181NH..

Freezer

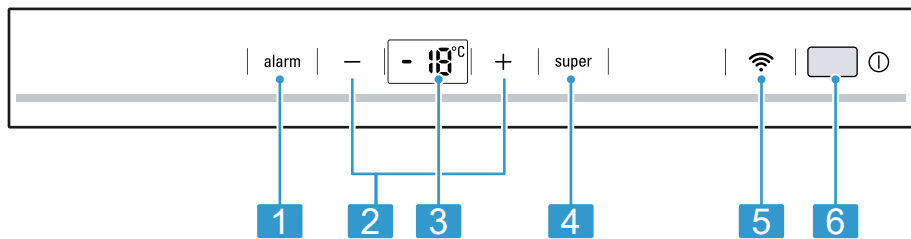


EN Information for Use	4
NL Gebruikershandleiding	27

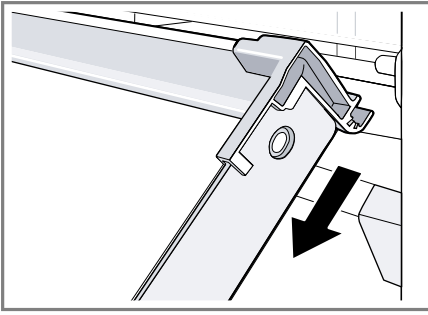




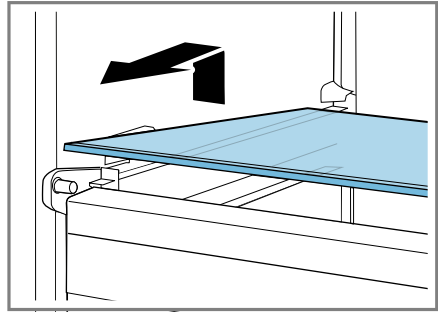
1



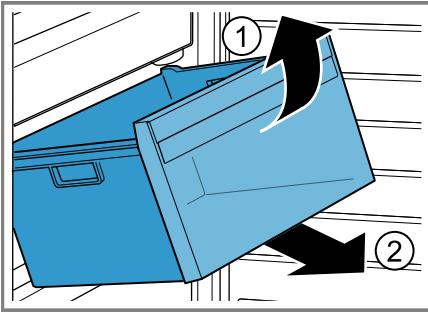
2



3



4



5

UK
6

Further information and explanations are available online:



Table of contents

1 Safety	6	7.3 Switching off the appliance	14
1.1 General information	6	7.4 Setting the temperature	14
1.2 Intended use	6	8 Additional functions	14
1.3 Restriction on user group	6	8.1 Automatic Super freezing	14
1.4 Safe transport	6	8.2 Manual Super freezing	15
1.5 Safe installation	7	9 Alarm	15
1.6 Safe use	8	9.1 Door alarm	15
1.7 Damaged appliance	10	9.2 Temperature alarm	15
2 Preventing material damage	11	10 Home Connect	16
3 Environmental protection and saving energy	11	10.1 Setting up the Home Connect app	16
3.1 Disposing of packaging	11	10.2 Setting up Home Connect	16
3.2 Saving energy	11	10.3 Installing updates for the Home Connect software	17
4 Installation and connection	11	10.4 Resetting Home Connect settings	17
4.1 Scope of delivery	11	10.5 Data protection	17
4.2 Criteria for the installation location	12	11 Freezer compartment	18
4.3 Installing the appliance	12	11.1 Freezing capacity	18
4.4 Preparing the appliance for the first time	12	11.2 Fully utilising the freezer compartment volume	18
4.5 Connecting the appliance to the electricity supply	12	11.3 Tips for storing food in the freezer compartment	18
5 Familiarising yourself with your appliance	13	11.4 Tips for freezing fresh food ...	18
5.1 Appliance	13	11.5 Shelf life of frozen food at -18 °C	19
5.2 Control panel	13	11.6 Defrosting methods for frozen food	19
6 Features	13	12 Defrosting	19
6.1 Freezer compartment flap	13	12.1 Defrosting in the freezer compartment	19
6.2 Accessories	13		
7 Basic operation	14		
7.1 Switching on the appliance	14		
7.2 Operating tips	14		

13 Cleaning and servicing	19
13.1 Preparing the appliance for cleaning	19
13.2 Cleaning the appliance	20
13.3 Removing the fittings.....	20
14 Troubleshooting.....	21
14.1 Power failure.....	23
14.2 Conducting an appliance self-test	23
15 Storage and disposal.....	23
15.1 Taking the appliance out of operation	23
15.2 Disposing of old appliance ...	23
16 Customer Service.....	24
16.1 Product number (E-Nr.) and production number (FD).....	24
17 Technical data	24
18 Declaration of Conformity	25
18.1 Statement of Compliance for Great Britain	26



1 Safety

Observe the following safety instructions.

1.1 General information

- Read this instruction manual carefully.
- Keep the instruction manual and the product information safe for future reference or for the next owner.
- Do not connect the appliance if it has been damaged in transit.

1.2 Intended use

This appliance is only intended to be fully fitted in a kitchen.

Only use this appliance:

- for freezing food and making ice cubes.
- in private households and in enclosed spaces in a domestic environment.
- Up to an altitude of 2000 m above sea level.

1.3 Restriction on user group

This appliance may be used by children aged 8 or over and by people who have reduced physical, sensory or mental abilities or inadequate experience and/or knowledge, provided that they are supervised or have been instructed on how to use the appliance safely and have understood the resulting dangers.

Do not let children play with the appliance.

Cleaning and user maintenance must not be performed by children unless they are being supervised.

Children above the age of three years old and younger than eight years old may load and unload the the fridge-freezer.

1.4 Safe transport

WARNING – Risk of injury!

The heavy weight of the appliance may result in injury when lifted.

- ▶ Do not lift the appliance on your own.

1.5 Safe installation

⚠ WARNING – Risk of electric shock!

Incorrect installation is dangerous.

- ▶ Connect and operate the appliance only in accordance with the specifications on the rating plate.
- ▶ Connect the appliance to a power supply with alternating current only via a properly installed socket with earthing.
- ▶ The protective conductor system of the domestic electrical installation must be properly installed.
- ▶ Never equip the appliance with an external switching device, e.g. a timer or remote control.
- ▶ When the appliance is installed, the mains plug of the power cord must be freely accessible. If free access is not possible, an isolating switch must be integrated into the permanent electrical installation according to the installation regulations.
- ▶ When installing the appliance, check that the power cable is not trapped or damaged.

If the insulation of the power cord is damaged, this is dangerous.

- ▶ Never let the power cord come into contact with heat sources.

⚠ WARNING – Risk of explosion!

If the appliance's ventilation openings are closed off, a leak in the refrigeration circuit may result in a flammable mixture of gas and air.

- ▶ Keep ventilation openings in the appliance casing or in the integrated casing clear of obstruction.

⚠ WARNING – Risk of fire!

It is dangerous to use an extended power cord and non-approved adapters.

- ▶ Do not use extension cables or multiple socket strips.
- ▶ Only use adapters and power cords approved by the manufacturer.
- ▶ If the power cord is too short and a longer one is not available, please contact an electrician to have the domestic installation adapted.

Portable multiple socket strips or portable power supply units may overheat and cause a fire.

- ▶ Do not place portable multiple socket strips or power supply units on the back of the appliance.

1.6 Safe use

WARNING – Risk of electric shock!

An ingress of moisture can cause an electric shock.

- ▶ Only use the appliance in enclosed spaces.
- ▶ Never expose the appliance to intense heat or humidity.
- ▶ Do not use steam- or high-pressure cleaners to clean the appliance.

WARNING – Risk of suffocation!

Children may put packaging material over their heads or wrap themselves up in it and suffocate.

- ▶ Keep packaging material away from children.
 - ▶ Do not let children play with packaging material.
- Children may breathe in or swallow small parts, causing them to suffocate.
- ▶ Keep small parts away from children.
 - ▶ Do not let children play with small parts.

WARNING – Risk of explosion!

If the cooling circuit is damaged, flammable refrigerant may escape and explode.

- ▶ To accelerate the defrosting process, do not use any other mechanical devices or means other than those recommended by the manufacturer.
- ▶ If food is stuck to the freezer compartment, loosen it with a blunt object such as the handle of a wooden spoon.

Products which contain flammable propellants and explosive substances may explode, e.g. spray cans.

- ▶ Do not store products which contain flammable propellants (e.g. spray cans) or explosive substances in the appliance.

⚠ WARNING – Risk of fire!

Electrical devices within the appliance may cause a fire, e.g. heaters or electric ice makers.

- ▶ Do not operate electrical devices within the appliance.

⚠ WARNING – Risk of injury!

Containers that contain carbonated drinks may burst.

- ▶ Do not store containers that contain carbonated drinks in the freezer compartment.

Injury to the eyes caused by escaping flammable refrigerant and hazardous gases.

- ▶ Do not damage the tubes of the refrigerant circuit or the insulation.

⚠ WARNING – Risk of cold burns!

Contact with frozen food and cold surfaces may cause burns by refrigeration.

- ▶ Never put frozen food straight from the freezer compartment into your mouth.
- ▶ Avoid prolonged contact of the skin with frozen food, ice and surfaces in the freezer compartment.

⚠ CAUTION – Risk of harm to health!

To prevent food from being contaminated, you must observe the following instructions.

- ▶ If the door is open for an extended period of time, this may lead to a considerable temperature increase in the compartments of the appliance.
- ▶ Regularly clean the surfaces that may come into contact with food and accessible drain systems.
- ▶ If the fridge/freezer is empty for an extended period of time, switch off the appliance, defrost it, clean it and leave the door open to prevent the formation of mould.

1.7 Damaged appliance

WARNING – Risk of electric shock!

If the appliance or the power cord is damaged, this is dangerous.

- ▶ Never operate a damaged appliance.
- ▶ Never pull on the power cord to unplug the appliance. Always unplug the appliance at the mains.
- ▶ If the appliance or the power cord is damaged, immediately unplug the power cord or switch off the fuse in the fuse box.
- ▶ Call customer services. → *Page 24*

Improper repairs are dangerous.

- ▶ Repairs to the appliance should only be carried out by trained specialist staff.
- ▶ Only use genuine spare parts when repairing the appliance.
- ▶ If the power cord of this appliance is damaged, it must be replaced by the manufacturer, the manufacturer's Customer Service or a similarly qualified person in order to prevent any risk.

WARNING – Risk of fire!



If the tubes are damaged, flammable refrigerant and harmful gases may escape and ignite.

- ▶ Keep naked flames and ignition sources away from the appliance.
- ▶ Ventilate the room.
- ▶ Switch off the appliance. → *Page 14*
- ▶ Unplug the mains plug from the mains or switch off the circuit breaker in the fuse box.
- ▶ Call customer service. → *Page 24*

2 Preventing material damage

ATTENTION!

Using the base, runners or appliance doors as a seat surface or climbing surface may damage the appliance.

- ▶ Do not stand or support yourself on the base, runners or doors.

Contamination with oil or fat may cause plastic parts and door seals to become porous.

- ▶ Keep plastic parts and door seals free of oil and grease.

If you clean fittings and accessories in the dishwasher, this may cause them to become deformed or discoloured.

- ▶ Never clean fittings and accessory in the dishwasher.

3 Environmental protection and saving energy

3.1 Disposing of packaging

The packaging materials are environmentally compatible and can be recycled.

- ▶ Sort the individual components by type and dispose of them separately.

3.2 Saving energy

If you follow these instructions, your appliance will use less power.

Selecting the installation location

- Keep the appliance out of direct sunlight.

- Install the appliance as far away as possible from heating elements, cookers and other heat sources:
 - Maintain a 30 mm clearance to electric or gas cookers.
 - Maintain a 300 mm clearance to oil or solid-fuel cookers.
- Use a niche depth of 560 mm.
- Never cover or block the external ventilation openings.

Saving energy during use

Note: The arrangement of the fittings does not affect the energy consumption of the appliance.

- Open the appliance only briefly and then close it carefully.
- Never cover or block the interior ventilation openings or the exterior ventilation openings.
- Transport purchased food in a cool bag and place in the appliance quickly.
- Allow warm food and drinks to cool down before storing them.
- Always leave some space between the food and to the back panel.

4 Installation and connection

4.1 Scope of delivery

After unpacking all parts, check for any transport damage and for completeness of delivery.

If you have any complaints, contact your dealer or our after-sales service → *Page 24*.

The delivery consists of the following:

- Built-in appliance
- Equipment and accessories¹
- Installation material

¹ Depending on the appliance specifications

en Installation and connection

- Installation instructions
- User manual
- Customer service directory
- Warranty enclosure¹
- Energy label
- Information on energy consumption and noises
- Information about Home Connect

4.2 Criteria for the installation location

WARNING **Risk of explosion!**

If the appliance is in a space that is too small, a leak in the refrigeration circuit may result in a flammable mixture of gas and air.

- ▶ Only install the appliance in a space with a volume of at least 1 m³ per 8 g refrigerant. The volume of refrigerant is indicated on the rating plate. → *Fig. 1 / 4*

The weight of the appliance ex works may be up to 70 kg depending on the model.

The subfloor must be sufficiently stable to bear the weight of the appliance.

This refrigerator is intended for use at ambient temperatures of 10 °C to 43 °C.

The appliance is fully functional within the permitted room temperature.

If the appliance is operated at colder room temperatures, the appliance will not be damaged up to a room temperature of 5 °C.

Niche dimensions

Observe the niche dimensions if you install your appliance in the niche. If this is not the case, problems may occur when installing the appliance.

Niche depth

Install the appliance in the recommended niche depth of 560 mm. If the niche depth is smaller, the energy consumption increases slightly. The niche depth must be a minimum 550 mm.

Niche width

An inside niche width of at least 560 mm is required for the appliance.

Over-and-under and side-by-side installation

If you want to install 2 refrigerating appliances one over the other or side by side, you must maintain a clearance of at least 150 mm between the appliances. Selected appliances can be installed without a minimum clearance. Ask your dealer or kitchen planner about this.

4.3 Installing the appliance

- ▶ Install the appliance in accordance with the enclosed installation instructions.

4.4 Preparing the appliance for the first time

1. Remove the informative material.
2. Remove the protective foil and transit bolts, e.g. remove the adhesive strips and carton.
3. Clean the appliance for the first time. → *Page 20*

4.5 Connecting the appliance to the electricity supply

1. Insert the mains plug of the appliance's power cable in a socket nearby.

¹ Not in all countries

The connection data of the appliance can be found on the rating plate. → Fig. **1**/ **4**

2. Check the mains plug is inserted properly.
- ✓ The appliance is now ready for use.

5 Familiarising yourself with your appliance

5.1 Appliance

You can find an overview of the parts of your appliance here.

→ Fig. **1**, Deviations between your appliance and the diagrams may differ with regard to their features and size.

1 Control panel → Page 13

2 Freezer compartment shelf

3 Freezer compartment flap
→ Page 13

4 Rating plate → Page 24

5.2 Control panel

You can use the control panel to configure all functions of your appliance and to obtain information about the operating status.


→ Fig. **2**


1 alarm switches the warning signal off.

2 $-/+$ sets the temperature of the freezer compartment.

3 Displays the set temperature for the freezer compartment in °C.

4 super switches Super freezing on or off.

5  opens the menu for setting Home Connect.

6  switches the appliance on or off.

6 Features

The features of your appliance depend on the model.

6.1 Freezer compartment flap

Store food that is used frequently or that only needs to be stored for a short time on the shelf behind the freezer-compartment flap.

6.2 Accessories

Use original accessories. These have been made especially for your appliance.

The accessories for your appliance depend on the model.

Ice pack

Use the ice pack for temporarily keeping food cool, e.g. in a cool bag.

Tip: If a power failure or malfunction occurs, the ice pack can be used to slow down the thawing process for the stored frozen food.

Ice cube tray

Use the ice cube tray to make ice cubes.

Making ice cubes

Use only drinking water to make ice cubes.

1. Fill the ice cube tray with drinking water up to $\frac{3}{4}$ and place in the freezer compartment.

If the ice cube tray is stuck to the freezer compartment, loosen it with a blunt object such as the handle of a wooden spoon.

2. To loosen the ice cubes, twist the ice cube tray slightly or hold it briefly under flowing water.

7 Basic operation

7.1 Switching on the appliance

1. Press ①.
 - ✓ The appliance begins to cool.
 - ✓ A warning signal sounds and "alarm" lights up because the freezer compartment is still too warm.
2. Switch off the warning tone using **alarm**.
 - ✓ "alarm" goes out as soon as the set temperature has been reached.
3. Set the required temperature.
→ Page 14

7.2 Operating tips

- Once you have switched on the appliance, the set temperature is only reached after several hours. Do not put any food in the appliance until the set temperature has been reached.
- The front panels of the housing are temporarily heated slightly. This prevents condensation in the area of the door seal.
- When you close the door, a vacuum may be created. The door is then difficult to open again. Wait a moment until the vacuum is offset.
- The temperature in the appliance varies due to the following conditions:
 - How often the appliance is opened
 - Load capacity

- Temperature of newly stored food
- Ambient temperature
- Direct sunlight

7.3 Switching off the appliance

- ▶ Press ①.

7.4 Setting the temperature

Setting the freezer compartment temperature

- ▶ Press $-/+$ repeatedly until the temperature display shows the required temperature setting.
The recommended temperature in the freezer compartment is -18°C .

8 Additional functions

Find out which additional functions can be used for your appliance.

8.1 Automatic Super freezing

With automatic Super freezing, the freezer compartment cools down to a much lower temperature than in normal mode. This freezes food more quickly.

The automatic Super freezing switches on if you place fresh food in the frozen food container that is second from the bottom, starting from the right-hand side.

If the automatic Super freezing is switched on, "super" lights up and increased noises may occur. After operation, the appliance switches from automatic Super freezing to normal operation.

Cancelling automatic Super freezing

- ▶ Press **super**.
- ✓ The previously set temperature is displayed.

8.2 Manual Super freezing

With Super freezing, the freezer compartment cools as cold as possible. Switch on Super freezing four to six hours before placing food weighing 2 kg or more into the freezer compartment.

In order to utilise the freezer capacity, use Super freezing.

→ "Prerequisites for freezing capacity", Page 18

Note: When Super freezing is switched on, increased noise may occur.

Switching on manual Super freezing

- ▶ Press **super**.
- ✓ "super" lights up.

Note: After approx. 60 hours, the appliance switches to normal operation.

Switching off manual Super freezing

- ▶ Press **super**.
- ✓ The previously set temperature is displayed.

9 Alarm

9.1 Door alarm

If the appliance door is open for a while, the door alarm switches on. A warning tone sounds.

Switching off the door alarm

- ▶ Close the appliance door or press **alarm**.
- ✓ The warning tone is switched off.

9.2 Temperature alarm

If the freezer compartment becomes too warm, the temperature alarm is switched on.

A warning tone sounds and "alarm" lights up.

CAUTION

Risk of harm to health!

During the thawing process, bacteria may multiply and spoil the frozen food.

- ▶ Do not refreeze food after it has been defrosted or started to defrost.
- ▶ Refreeze food only after cooking.
- ▶ These items should no longer be stored for the maximum storage period.

The temperature alarm can be switched on in the following cases:

- The appliance is switched on.
 - Do not store any food until the appliance has reached the set temperature.
- Large quantities of fresh food are being placed inside.
 - Switch on Super freezing before placing large quantities of food in the appliance.
- The freezer compartment door is open for too long.
 - Check whether the frozen food has defrosted or thawed.

Switching off the temperature alarm

- ▶ Press **alarm**.
- ✓ The warning tone is switched off.

- ✓ From this time on, the warmest temperature is measured again and saved.
- ✓ "alarm" lights up until the set temperature is reached again.

10 Home Connect

This appliance is network-capable. Connect your appliance to a mobile device to control its functions via the Home Connect app.

The Home Connect services are not available in every country. The availability of the Home Connect function depends on the availability of Home Connect services in your country. You can find information about this at: www.home-connect.com.

To be able to use Home Connect, you must first set up the connection to the WLAN home network (Wi-Fi¹) and to the Home Connect app. After switching on the appliance, wait at least 2 minutes until internal device initialisation is complete. Only then should you set up Home Connect.

The Home Connect app guides you through the entire login process. Follow the instructions in the Home Connect app to configure the settings.

Tip: Please also follow the instructions in the Home Connect app.

Notes

- Please note the safety precautions in this instruction manual and make sure that they are also observed when operating the appliance via the Home Connect app.
→ "Safety", Page 6

- Operating the appliance on the appliance itself always takes priority. During this time it is not possible to operate the appliance using the Home Connect app.

10.1 Setting up the Home Connect app

1. Install the Home Connect app on your mobile device.
2. Start the Home Connect app and set up access for Home Connect.
The Home Connect app guides you through the entire login process.

10.2 Setting up Home Connect

Requirements

- The Home Connect app has been installed on your mobile device.
 - The appliance is receiving signals from the WLAN home network (Wi-Fi) at its installation location.
1. Open the Home Connect app and scan the following QR code.




2. Follow the instructions in the Home Connect app.

¹ Wi-Fi is a registered trademark of the Wi-Fi Alliance.

10.3 Installing updates for the Home Connect software


The appliance searches for updates to the Home Connect software at regular intervals.

Note: If updates are available, the temperature display shows "UP". To reset the update and the temperature display to the set temperature, press any touch field.

1. Press .
 - ✓ The temperature display shows "Cn".
2. Press + repeatedly until the temperature display shows "UP".
3. Press +.
 - ✓ The temperature display shows an animation.
 - ✓ The update is installed.
 - ✓ The control panel is locked during the installation.
 - ✓ If the installation is successful, the temperature display shows "On".
4. If the temperature display shows "Er", the appliance was unable to install the update.
 - Repeat the process at a later point.
5. If the update cannot be completed after several attempts, contact customer service → *Page 24* .

10.4 Resetting Home Connect settings

If your appliance experiences connection problems with the WLAN home network (Wi-Fi) or your appliance wants to log into a different WLAN home network (Wi-Fi), you can reset the Home Connect settings.

1. Press .
 - ✓ The temperature display shows "Cn".

2. Press + repeatedly until the temperature display shows "rE".
3. Press +.
 - ✓ The temperature display shows an animation for 15 seconds.
 - ✓ The temperature display shows "On".
 - ✓ The Home Connect settings have been reset.

10.5 Data protection

Please see the information on data protection.

The first time your appliance is registered on a home network connected to the Internet, your appliance will transmit the following types of data to the Home Connect server (initial registration):

- Unique appliance identification (consisting of appliance codes as well as the MAC address of the installed Wi-Fi communication module).
- Security certificate of the Wi-Fi communication module (to ensure a secure data connection).
- The current software and hardware version of your appliance.
- Status of any previous resetting to factory settings.

This initial registration prepares the Home Connect functions for use and is only required when you want to use the Home Connect functions for the first time.

Note: Please note that the Home Connect functions can only be utilised with the Home Connect app. Information on data protection can be retrieved in the Home Connect app.

11 Freezer compartment

You can store frozen food, freeze food and make ice cubes in the freezer compartment.

The temperature can be set from $-16\text{ }^{\circ}\text{C}$ to $-24\text{ }^{\circ}\text{C}$.

Long-term storage of food should be at $-18\text{ }^{\circ}\text{C}$ or lower.

The freezer compartment can be used to store perishable food long-term. The low temperatures slow down or stop the spoilage.

11.1 Freezing capacity

The freezing capacity indicates the quantity of food that can be frozen right through to the centre within a specific period of time.

Information on freezing capacity can be found on the rating plate.

→ Fig. **1** / **4**

Prerequisites for freezing capacity

1. Approx. 24 hours before placing fresh food in the appliance, switch on Super freezing.
→ "Switching on manual Super freezing", Page 15
2. Fill the upper compartment with food first.
3. If the top compartment does not have enough space, store the remaining quantity in the compartment underneath.

11.2 Fully utilising the freezer compartment volume

Learn how to store the maximum amount of frozen food in the freezer compartment.

1. Remove all fittings from the freezer compartment. → Page 20

2. Store food directly on the shelves and on the floor of the freezer compartment.

11.3 Tips for storing food in the freezer compartment

- Store food in air-tight packaging.
- Do not bring food which is to be frozen into contact with frozen food.
- Place the food over the whole area of the frozen food containers.
- To ensure that the air can circulate freely in the appliance, push the frozen food containers in as far as they will go.

11.4 Tips for freezing fresh food

- Freeze fresh and undamaged food only.
- Freeze food in portions.
- Cooked food is more suitable than food that can be eaten raw.
- Vegetables: Wash, chop up and blanch before freezing.
- Fruit: Wash, pit and perhaps peel, possibly add sugar or ascorbic acid solution.
- Food that is suitable for freezing includes baked items, fish and seafood, meat, game, poultry, eggs without shells, cheese, butter and quark, ready meals and leftovers.
- Food that is unsuitable for freezing includes lettuce, radishes, eggs in shells, grapes, raw apples and pears, yoghurt, sour cream, crème fraîche and mayonnaise.

Packing frozen food

If you select suitable packaging material and the correct type of packaging, you can determine the product quality and prevent freezer burn.

1. Place the food in the packaging.

2. Squeeze out the air.
3. Pack food airtight to prevent it from losing flavour and drying out.
4. Label the packaging with the contents and the date of freezing.

11.5 Shelf life of frozen food at $-18\text{ }^{\circ}\text{C}$

Food	Storage time
Fish, sausages, prepared meals and baked goods	up to 6 months
Poultry, meat	up to 8 months
Vegetables, fruit	up to 12 months

The imprinted freezer calendar indicates the maximum storage duration in months at a constant temperature of $-18\text{ }^{\circ}\text{C}$.

11.6 Defrosting methods for frozen food

CAUTION

Risk of harm to health!

During the thawing process, bacteria may multiply and spoil the frozen food.

- ▶ Do not refreeze food after it has been defrosted or started to defrost.
- ▶ Refreeze food only after cooking.
- ▶ These items should no longer be stored for the maximum storage period.
- Defrost animal-based food, such as fish, meat, cheese, quark, in the refrigerator compartment.
- Defrost bread at room temperature.
- Prepare food for immediate consumption in the microwave, in the oven, or on the hob.

12 Defrosting

12.1 Defrosting in the freezer compartment

The fully automatic NoFrost system ensures that the freezer compartment remains frost-free. Defrosting is not required.

13 Cleaning and servicing

To keep your appliance working efficiently for a long time, it is important to clean and maintain it carefully. Customer Service must clean inaccessible points. Cleaning by customer service can give rise to costs.

13.1 Preparing the appliance for cleaning

1. Switch off the appliance.
→ Page 14
2. Disconnect the appliance from the power supply.
Unplug the appliance from the mains or switch off the circuit breaker in the fuse box.
3. Take out all of the food and store it in a cool place.
Place ice packs (if available) onto the food.
4. Remove all fittings and accessories from the appliance.
→ Page 20

13.2 Cleaning the appliance

WARNING

Risk of electric shock!

An ingress of moisture can cause an electric shock.

- ▶ Do not use steam- or high-pressure cleaners to clean the appliance.

Liquid in the lighting or in the controls can be dangerous.

- ▶ The rinsing water must not drip into the lighting or controls.

ATTENTION!

Unsuitable cleaning products may damage the surfaces of the appliance.

- ▶ Do not use hard scouring pads or cleaning sponges.
- ▶ Do not use harsh or abrasive detergents.
- ▶ Do not use cleaning products with a high alcohol content.

If you clean fittings and accessories in the dishwasher, this may cause them to become deformed or discoloured.

- ▶ Never clean fittings and accessory in the dishwasher.

1. Prepare the appliance for cleaning.
→ *Page 19*
2. Clean the appliance, the fittings, the accessories and the door seals with a dish cloth, lukewarm water and a little pH-neutral washing-up liquid.
3. Dry thoroughly with a soft, dry cloth.
4. Insert the fittings.
5. Electrically connect the appliance.
→ *Page 12*
6. Switch on the appliance.
→ *Page 14*
7. Putting the food into the appliance.

13.3 Removing the fittings

If you want to clean the fittings thoroughly, remove these from your appliance.

Removing the freezer flap

- ▶ Open the freezer compartment flap and release from the holder.

→ *Fig. 3*

Removing the freezer compartment shelf

- ▶ Pull out the freezer compartment shelf and remove it.

→ *Fig. 4*

Removing the frozen food container

1. Take out the frozen food container as far as it will go.
2. Lift the frozen food container at the front ① and remove it ②.

→ *Fig. 5*

14 Troubleshooting

You can rectify minor faults on your appliance yourself. Read the troubleshooting information before contacting after-sales service. This will avoid unnecessary costs.



WARNING

Risk of electric shock!

Improper repairs are dangerous.

- ▶ Repairs to the appliance should only be carried out by trained specialist staff.
- ▶ Only use genuine spare parts when repairing the appliance.
- ▶ If the power cord of this appliance is damaged, it must be replaced by the manufacturer, the manufacturer's Customer Service or a similarly qualified person in order to prevent any risk.

Fault	Cause and troubleshooting
The appliance is not cooling, the displays and lighting are lit.	Showroom mode is switched on. <ul style="list-style-type: none"> ▶ Carry out the appliance self-test. → <i>Page 23</i> ✓ Once the appliance self-test has ended, the appliance switches to normal operation.
Home Connect is not working properly.	Different causes are possible. <ul style="list-style-type: none"> ▶ Go to www.home-connect.com.
E or d appears in the temperature display.	The electronics have detected a fault. <ol style="list-style-type: none"> 1. Switch off the appliance. → <i>Page 14</i> 2. Disconnect the appliance from the mains. <p style="margin-left: 20px;">Unplug the appliance from the mains or switch off the circuit breaker in the fuse box.</p> 3. Reconnect the appliance after five minutes. 4. If the message still appears on the display, call customer service. <p style="margin-left: 20px;">The customer service number can be found in the enclosed customer service directory.</p>
Temperature display flashes.	Different causes are possible. <ul style="list-style-type: none"> ▶ Press alarm. ✓ The alarm is switched off.
	The appliance door is open. <ul style="list-style-type: none"> ▶ Close the appliance door.
	External ventilation openings are covered up. <ul style="list-style-type: none"> ▶ Remove any obstructions from in front of the external ventilation openings.
	Larger quantities of fresh food have been put in.

Fault	Cause and troubleshooting
Temperature display flashes.	<ul style="list-style-type: none"> ▶ Do not exceed the max. freezing capacity. → "Freezing capacity", Page 18
A warning tone sounds, the temperature display flashes and "alarm" lights up.	<p>Different causes are possible.</p> <ul style="list-style-type: none"> ▶ Press alarm. ✓ The alarm is switched off. <hr/> <p>The appliance door is open.</p> <ul style="list-style-type: none"> ▶ Close the appliance door. <hr/> <p>External ventilation openings are covered up.</p> <ul style="list-style-type: none"> ▶ Remove any obstructions from in front of the external ventilation openings. <hr/> <p>Larger quantities of fresh food have been put in.</p> <ul style="list-style-type: none"> ▶ Do not exceed the max. freezing capacity. → "Freezing capacity", Page 18
The temperature differs greatly from the setting.	<p>Different causes are possible.</p> <ol style="list-style-type: none"> 1. Switch off the appliance. → Page 14 2. Switch the appliance back on after five minutes. → Page 14 <ul style="list-style-type: none"> - If the temperature is too warm, check the temperature again after a couple of hours. - If the temperature is too cold, check the temperature again on the following day.
The appliance hums, bubbles, buzzes, gargles, clicks or crackles.	<p>Not a fault. A motor is running, e.g. refrigerating unit, fan. Refrigerant flows through the pipes. The motor, switches or solenoid valves are switching on or off. Automatic defrosting is running. No action required.</p>
The appliance makes noises.	<p>Fittings wobble or stick.</p> <ul style="list-style-type: none"> ▶ Check the removable fittings and, if required, replace these. <hr/> <p>Containers are touching.</p> <ul style="list-style-type: none"> ▶ Move the containers apart. <hr/> <p>Super freezing is switched on. No action required.</p>

14.1 Power failure

During a power failure, the temperature in the appliance rises; this reduces the storage time and the quality of the frozen food.

On the website for your appliance, the technical data provides you with the storage times for frozen food in the event of a fault.

Notes

- Open the appliance as little as possible during a power failure and do not place any other food in the appliance.
- Check the quality of the food immediately after a power failure.
 - Dispose of any frozen food that has defrosted and is hotter than 5 °C.
 - Cook or fry slightly thawed frozen food, and then either consume it or freeze it again.

14.2 Conducting an appliance self-test

Your appliance has an appliance self-test which displays faults that can be eliminated by your customer service.

1. Switch off the appliance.
→ *Page 14*
2. Switch the appliance back on after approx. five minutes. → *Page 14*
3. Within the first 10 seconds after switching on, press and hold **super** for 3 to 5 seconds until an audible signal sounds.
 - ✓ The appliance self-test starts.
 - ✓ While the appliance self-test is running, a long audible signal sounds.
 - ✓ If, at the end of the appliance self-test, two audible signals sound and the temperature display indicates the set temperature, your appliance is OK. The appliance switches to normal operation.

- ✓ If, at the end of the appliance self-test, 5 audible signals sound and "super" flashes for 10 seconds, inform customer service.

15 Storage and disposal

15.1 Taking the appliance out of operation

1. Switch off the appliance.
→ *Page 14*
2. Disconnect the appliance from the power supply.
Unplug the appliance from the mains or switch off the circuit breaker in the fuse box.
3. Remove all of the food.
4. Clean the appliance. → *Page 20*
5. To guarantee the ventilation inside the appliance, leave the appliance open.

15.2 Disposing of old appliance

Valuable raw materials can be re-used by recycling.

WARNING **Risk of harm to health!**

Children can lock themselves in the appliance, thereby putting their lives at risk.

- ▶ Leave shelves and containers inside the appliance to prevent children from climbing in.
- ▶ Keep children away from the redundant appliance.

⚠ WARNING
Risk of fire!

If the tubes are damaged, flammable refrigerant and harmful gases may escape and ignite.

- ▶ Do not damage the tubes of the refrigerant circuit or the insulation.

1. Unplug the appliance from the mains.
2. Cut through the power cord.
3. Dispose of the appliance in an environmentally friendly manner.

Information about current disposal methods are available from your specialist dealer or local authority.



This appliance is labelled in accordance with European Directive 2012/19/EU concerning used electrical and electronic appliances (waste electrical and electronic equipment - WEEE). The guideline determines the framework for the return and recycling of used appliances as applicable throughout the EU.

16 Customer Service

Function-relevant genuine spare parts according to the corresponding Eco-design Order can be obtained from Customer Service for a period of at least 10 years from the date on which your appliance was placed on the market within the European Economic Area.

Note: Under the terms of the manufacturer's warranty applicable to the location, the use of Customer Service is free of charge. The minimum dura-

tion of the warranty (manufacturer's warranty for private consumers) in the European Economic Area is 2 years according to the terms of warranty applicable to the location. The terms of warranty do not affect other rights or claims held by yourself under local legislation.

Detailed information on the warranty period and terms of warranty in your country is available from our after-sales service, your retailer or on our website.

If you contact Customer Service, you will require the product number (E-Nr.) and the production number (FD) of your appliance.

The contact details for Customer Service can be found in the enclosed Customer Service directory or on our website.

16.1 Product number (E-Nr.) and production number (FD)

You can find the product number (E-Nr.) and the production number (FD) on the appliance's rating plate.

→ Fig. **1** / **4**

Make a note of your appliance's details and the Customer Service telephone number to find them again quickly.

17 Technical data

Refrigerant, cubic capacity and further technical specifications can be found on the rating plate.

→ Fig. **1** / **4**

You can find more information about your model online at <https://eprel.ec.europa.eu/>¹. This web address is linked to the official EU EPREL product database. Please then follow the instructions on searching for the model. The model identifier is made up of the characters before the slash in the product number (E-Nr.) on the rating plate. Alternatively, you can also find the model identifier in the first line of the EU energy label.

2.4 GHz band (2400–2483.5 MHz):
Max. 100 mW
5-GHz band (5150–5350 MHz +
5470–5725 MHz): max. 50 mW

18 Declaration of Conformity

BSH Hausgeräte GmbH hereby declares that the appliance with Home Connect functionality conforms to the basic requirements and other relevant provisions of Directive 2014/53/EU.

A detailed RED Declaration of Conformity can be found online at siemens-home.bsh-group.com among the additional documents on the product page for your appliance.




Hereby, BSH Hausgeräte GmbH declares that the appliance with Home Connect functionality is in compliance with relevant statutory requirements.²

A detailed Declaration of Conformity can be found online at siemens-home.bsh-group.com/uk/ among the additional documents on the product page for your appliance.²

→ Fig. **6**

¹ Only applies to countries in the European Economic Area

² Only applies to Great Britain

	BE	BG	CZ	DK	DE	EE	IE	EL	ES
	FR	HR	IT	CY	LI	LV	LT	LU	HU
	MT	NL	AT	PL	PT	RO	SI	SK	FI
	SE	NO	CH	TR	IS	UK (NI)			

5 GHz WLAN (Wi-Fi): For indoor use only.

AL	BA	MD	ME	MK	RS	UK	UA
----	----	----	----	----	----	----	----

5 GHz WLAN (Wi-Fi): For indoor use only.

18.1 Statement of Compliance for Great Britain

The full Statement of Compliance according to the Product Security and Telecommunications Infrastructure (Security Requirements for Relevant Connectable Products) Regulations 2023 can be found online at www.siemens-home.bsh-group.com/uk/home among the additional documents on the product page for your appliance.

Product type

This statement of compliance covers the products described in this information for use whose model identifier group is seen on the title page. The full model identifier is made up of the characters before the slash in the product number (E no.) which can be found on the rating plate. Alternatively, you can also find the model identifier in the first line of the UK Energy Label.

Name and address of manufacturer

BSH Hausgeräte GmbH, Carl-Wery-Strasse 34, 81739 München, Germany

This statement of compliance is prepared by the manufacturer.

The manufacturer, BSH Hausgeräte GmbH deems that it has complied with

- provision 5.1-1 of ETSI EN 303 645 v2.1.1 and, where relevant, provision 5.1-2 of ETSI EN 303 645 v2.1.1;
- provision 5.2-1 of ETSI EN 303 645 v2.1.1;
- provision 5.3-13 of ETSI EN 303 645 v2.1.1.

Support period

BSH Hausgeräte GmbH will provide security updates that are necessary to maintain the main functions free of charge until at least 28/02/2034.

Raadpleeg de Digitale Gebruikersgids voor meer informatie.



Inhoudsopgave

1 Veiligheid	29	7.3 Machine uitschakelen.....	37
1.1 Algemene aanwijzingen	29	7.4 Temperatuur instellen.....	37
1.2 Bestemming van het apparaat	29	8 Extra functies	37
1.3 Inperking van de gebruikers ...	29	8.1 Automatisch Supervriezen.....	37
1.4 Veiliger transport	29	8.2 Handmatig Supervriezen.....	38
1.5 Veilige installatie.....	30	9 Alarm	38
1.6 Veilig gebruik.....	31	9.1 Deuralarm.....	38
1.7 Beschadigd apparaat.....	33	9.2 Temperatuuralarm	38
2 Het voorkomen van materiële schade	34	10 Home Connect	39
3 Milieubescherming en besparing	34	10.1 Home Connect app instellen.....	39
3.1 Afvoeren van de verpakking ...	34	10.2 Home Connect instellen.....	39
3.2 Energie besparen	34	10.3 Update van de Home Connect software installeren	40
4 Opstellen en aansluiten	34	10.4 Home Connect instellingen resetten.....	40
4.1 Leveringsomvang	34	10.5 Bescherming persoonsgegevens	40
4.2 Criteria voor de opstellocatie ..	35	11 Vriesvak	41
4.3 Apparaat monteren	35	11.1 Invriescapaciteit.....	41
4.4 Het apparaat voor het eerste gebruik voorbereiden	35	11.2 Vriesvakvolume volledig gebruiken	41
4.5 Apparaat elektrisch aansluiten.....	36	11.3 Tips voor het bewaren van levensmiddelen in het vriesvak.....	41
5 Uw apparaat leren kennen	36	11.4 Tips voor het bevriezen van verse levensmiddelen.....	42
5.1 Apparaat.....	36	11.5 Houdbaarheid van de diepvrieswaren bij -18 °C	42
5.2 Bedieningspaneel.....	36	11.6 Ontdooimethodes voor diepvrieswaren	42
6 Uitrusting	36	12 Ontdooien	43
6.1 Klep van het vriesvak	36	12.1 Ontdooien in het vriesvak	43
6.2 Accessoires.....	36		
7 De Bediening in essentie	37		
7.1 Apparaat inschakelen.....	37		
7.2 Opmerkingen bij het gebruik ..	37		

13 Reiniging en onderhoud	43
13.1 Apparaat voorbereiden voor reiniging.....	43
13.2 Apparaat schoonmaken	43
13.3 Onderdelen eruit halen.....	44
14 Storingen verhelpen	45
14.1 Stroomuitval.....	47
14.2 Apparaatzelftest uitvoeren.....	47
15 Opslaan en afvoeren.....	47
15.1 Apparaat buiten gebruik stellen	47
15.2 Afvoeren van uw oude ap- paraat	48
16 Servicedienst.....	48
16.1 Productnummer (E-nr.) en productienummer (FD).....	49
17 Technische gegevens.....	49
18 Conformiteitsverklaring.....	49



1 Veiligheid

Neem de volgende veiligheidsvoorschriften in acht.

1.1 Algemene aanwijzingen

- Lees deze gebruiksaanwijzing zorgvuldig door.
- Bewaar de gebruiksaanwijzing en de productinformatie voor later gebruik of voor volgende eigenaren.
- Sluit het apparaat in geval van transportschade niet aan.

1.2 Bestemming van het apparaat

Dit apparaat is uitsluitend voor de inbouw bedoeld.

Gebruik het apparaat uitsluitend:

- om levensmiddelen te bevriezen en voor de bereiding van ijsblokjes.
- voor huishoudelijk gebruik en in gesloten ruimtes binnen de huiselijke omgeving.
- tot een hoogte van 2000 m boven zeeniveau.

1.3 Inperking van de gebruikers

Dit apparaat kan worden bediend door kinderen vanaf 8 jaar en door personen met fysieke, sensorische of geestelijke beperkingen of met gebrekkige ervaring en/of kennis, indien zij onder toezicht staan of zijn geïnstrueerd in het veilige gebruik van het apparaat en de daaruit resulterende gevaren hebben begrepen.

Kinderen mogen niet met het apparaat spelen.

Reiniging en gebruikersonderhoud mogen niet worden uitgevoerd door kinderen indien deze niet onder toezicht staan.

Kinderen vanaf 3 jaar en jonger dan 8 jaar mogen de koelkast/diepvriezer vullen en legen.

1.4 Veiliger transport

WAARSCHUWING – Kans op letsel!

Het hoge gewicht van het apparaat kan bij het optillen letsels veroorzaken.

- ▶ Het apparaat niet alleen optillen.

1.5 Veilige installatie

⚠ WAARSCHUWING – Kans op elektrische schok!

Ondeskundige installaties zijn gevaarlijk.

- ▶ Het apparaat uitsluitend aansluiten en gebruiken volgens de gegevens op het typeplaatje.
- ▶ Het apparaat uitsluitend via een volgens de voorschriften geïnstalleerd stopcontact met randaarde op een stroomnet met wisselstroom aansluiten.
- ▶ Het randaardesysteem van de elektrische huisinstallatie moet conform de elektrotechnische voorschriften zijn geïnstalleerd.
- ▶ Nooit het apparaat via een externe schakelinrichting voeden, bijvoorbeeld een tijdschakelaar of besturing op afstand.
- ▶ Wanneer het apparaat is ingebouwd, moet de netstekker van de netaansluitkabel vrij toegankelijk zijn, of wanneer vrije toegang niet mogelijk is, moet in de vast geplaatste elektrische installatie een scheidingsinrichting volgens de installatievoorschriften zijn ingebouwd.
- ▶ Bij het opstellen van het apparaat erop letten dat het netsnoer niet wordt afgeklemd of beschadigd.

Een beschadigde isolatie van het netsnoer is gevaarlijk.

- ▶ Nooit het aansluitsnoer met warmtebronnen in contact brengen.

⚠ WAARSCHUWING – Kans op explosie!

Wanneer de ventilatieopeningen van het apparaat zijn gesloten, dan kan bij een lek van het koude circuit een brandbaar gas-luchtmengsel ontstaan.

- ▶ Ventilatieopeningen in de behuizing van het apparaat of in de inbouwbehuizing niet afsluiten.

⚠ WAARSCHUWING – Kans op brand!

Het gebruik van een verlengd netsnoer en niet-toegestane adapters is gevaarlijk.

- ▶ Geen verlengsnoeren of meervoudige stopcontacten gebruiken.
- ▶ Alleen door de fabrikant goedgekeurde adapters en netsnoeren gebruiken.

- ▶ Wanneer het netsnoer te kort is en er geen langer netsnoer beschikbaar is, neem dan contact op met een elektrospciaalzaak om de huisinstallatie aan te passen.

Draagbare mobiele meervoudige stopcontacten of draagbare netvoedingen kunnen oververhit raken en tot brand leiden.

- ▶ Draagbare mobiele meervoudige stopcontacten of draagbare netvoedingen niet aan de achterkant van de apparaten plaatsen.

1.6 Veilig gebruik

⚠ WAARSCHUWING – Kans op elektrische schok!

Binnendringend vocht kan een elektrische schok veroorzaken.

- ▶ Gebruik het apparaat alleen in gesloten ruimtes.
- ▶ Stel het apparaat nooit bloot aan grote hitte en vochtigheid.
- ▶ Geen stoomreiniger of hogedrukreiniger gebruiken om het apparaat te reinigen.

⚠ WAARSCHUWING – Kans op verstikking!

Kinderen kunnen verpakkingsmateriaal over het hoofd trekken en hierin verstrikt raken en stikken.

- ▶ Verpakkingsmateriaal uit de buurt van kinderen houden.
- ▶ Laat kinderen niet met verpakkingsmateriaal spelen.

Kinderen kunnen kleine onderdelen inademen of inslikken en hierdoor stikken.

- ▶ Kleine onderdelen uit de buurt van kinderen houden.
- ▶ Kinderen niet met kleine onderdelen laten spelen.

⚠ WAARSCHUWING – Kans op explosie!

Door beschadiging van de koudemiddelkringloop kan brandbaar koudemiddel lekken en exploderen.

- ▶ Gebruik voor het versnellen van het ontdooien geen andere mechanische inrichtingen of andere middelen dan diegene die door de fabrikant zijn aanbevolen.
- ▶ Maak vastgevroren levensmiddelen met een stomp voorwerp los, bijv. met een steel van een houten lepel.

Producten met brandbare drijfgassen en explosieve stoffen kunnen exploderen, bijv. spuitbussen.

- ▶ Bewaar geen producten met brandbare drijfgassen en explosieve stoffen in het apparaat.

⚠ WAARSCHUWING – Kans op brand!

Elektrische apparaten binnenin het apparaat kunnen tot een brand leiden, bijv. verwarmingsapparaten of elektrische ijsbereiders.

- ▶ Gebruik geen elektrische apparaten binnenin het apparaat.

⚠ WAARSCHUWING – Kans op letsel!

Flessen of blikjes met koolzuurhoudende drank kunnen barsten.

- ▶ Geen flessen of blikjes met koolzuurhoudende drank in het vriesvak bewaren.

Letsel aan de ogen door lekkend brandbaar koudemiddel en schadelijke gassen.

- ▶ De buizen van de koudemiddelkringloop en de isolatie niet beschadigen.

⚠ WAARSCHUWING – Kans op koude-brandwonden!

Contact met diepvrieswaren en koude oppervlakken kan tot brandwonden door koude leiden.

- ▶ Nooit diepvrieswaren in de mond nemen nadat deze uit het vriesvak werden genomen.
- ▶ Vermijd langer contact van de huid met diepvrieswaren, ijs en oppervlakken van het vriesvak.

⚠ VOORZICHTIG – Kans op gevaar voor de gezondheid!

Houd de volgende aanwijzingen aan om verontreiniging van levensmiddelen te voorkomen.

- ▶ Wanneer de deur langere tijd wordt geopend, kan dit leiden tot een aanzienlijke temperatuurstijging in de vakken van het apparaat.
- ▶ Maak de oppervlakken, die met levensmiddelen en toegankelijke afvoersystemen in contact komen, regelmatig schoon.
- ▶ Wanneer het koel-/vriesapparaat langere tijd leeg staat, het apparaat uitschakelen, ontdooien, reinigen en de deur open laten, om schimmelvorming te voorkomen.

1.7 Beschadigd apparaat

WAARSCHUWING – Kans op elektrische schok!

Een beschadigd apparaat of een beschadigd netsnoer is gevaarlijk.

- ▶ Nooit een beschadigd apparaat gebruiken.
- ▶ Nooit aan het netsnoer trekken, om het apparaat van het elektriciteitsnet te scheiden. Altijd aan de stekker van het netsnoer trekken.
- ▶ Wanneer het apparaat of het netsnoer is beschadigd, dan direct de stekker van het netsnoer uit het stopcontact halen of de zekering in de meterkast uitschakelen.
- ▶ Contact opnemen met de servicedienst. → *Pagina 48*

Ondeskundige reparaties zijn gevaarlijk.

- ▶ Alleen daarvoor geschoold vakpersoneel mag reparaties aan het apparaat uitvoeren.
- ▶ Er mogen uitsluitend originele reserveonderdelen worden gebruikt voor reparatie van het apparaat.
- ▶ Als het netsnoer van dit apparaat beschadigd raakt, moet het ter vermijding van risico's worden vervangen door de fabrikant, de servicedienst of een andere gekwalificeerde persoon.

WAARSCHUWING – Kans op brand!



Bij beschadiging van de leidingen kunnen brandbaar koudemiddel en schadelijke gassen ontsnappen en ontsteken.

- ▶ Houd vuur en ontstekingsbronnen uit de buurt van het apparaat.
- ▶ Ventileer de ruimte.
- ▶ Het apparaat uitschakelen. → *Pagina 37*
- ▶ De stekker van het netsnoer uit het stopcontact trekken of de zekering in de meterkast uitschakelen.
- ▶ Neem contact op met de service. → *Pagina 48*

2 Het voorkomen van materiële schade

LET OP!

Door het gebruik van de plint, laden of apparaatdeuren als zitvlak of opstapje kan het apparaat beschadigd raken.

- ▶ Niet op de plint, laden of deuren staat of leunen.

Door verontreinigingen met olie of vet kunnen kunststofdelen en deurafdichtingen poreus worden.

- ▶ Houd kunststofdelen en deurafdichtingen olie- en vetvrij.

Wanneer u uitrustingsdelen en accessoires in de vaatwasser reinigt, kunnen deze vervormen of verkleuren.

- ▶ Nooit uitrustingsdelen en accessoires in de vaatwasser reinigen.

3 Milieubescherming en besparing

3.1 Afvoeren van de verpakking

De verpakkingsmaterialen zijn milieuvriendelijk en kunnen worden hergebruikt.

- ▶ De afzonderlijke componenten op soort gescheiden afvoeren.

3.2 Energie besparen

Als u deze aanwijzingen opvolgt, verbruikt uw apparaat minder stroom.

Keuze van de opstellingslocatie

- Stel het apparaat niet bloot aan direct zonlicht.
- Plaats het apparaat zo ver mogelijk van radiatoren, fornuis en andere warmtebronnen:

- Houd 30 mm afstand aan tot elektrische- of gasfornuizen.
- Houd 300 mm afstand aan tot olie- en kolenfornuizen.
- Een nisdiepte van 560 mm gebruiken.
- De externe ventilatieopeningen nooit afdekken of blokkeren.

Energie besparen bij het gebruik.

Opmerking: De plaatsing van de uitrustingsonderdelen heeft geen invloed op het energieverbruik van het apparaat.

- Open het apparaat slechts kort en sluit het zorgvuldig.
- De binnenste ventilatieopeningen of de externe ventilatieopeningen nooit afdekken of blokkeren.
- Transporteer gekoelde levensmiddelen in een koeltas en leg ze snel in het apparaat.
- Warm voedsel en dranken eerst laten afkoelen, daarna in het apparaat plaatsen.
- Laat altijd wat ruimte tussen de levensmiddelen en de achterwand.

4 Opstellen en aansluiten

4.1 Leveringsomvang

Controleer na het uitpakken alle onderdelen op transportschade en de volledigheid van de levering.

Neem bij klachten met uw dealer of onze servicedienst → *Pagina 48* contact op.

De levering bestaat uit:

- Inbouw

- Uitrusting en accessoires¹
- Montagemateriaal
- Montagehandleiding
- Gebruiksaanwijzing
- Klantenservice overzicht
- Garantiebijlage²
- Energielabel
- Informatie over energieverbruik en geluiden
- Informatie over Home Connect

4.2 Criteria voor de opstellocatie

WAARSCHUWING

Kans op explosie!

Wanneer het apparaat in een te kleine ruimte staat, kan er bij een lek van het koudecircuit een brandbaar gasluchtmengsel ontstaan.

- ▶ Stel het apparaat uitsluitend op in een ruimte, welke tenminste een volume heeft van 1 m³ per 8 g koudemiddel. De hoeveelheid van het koudemiddel staat op het typeplaatje. → Fig. **1** / **4**

Het gewicht van het apparaat kan afhankelijk van het model tot 70 bedragen.

De ondergrond moet stabiel genoeg zijn om het gewicht van het apparaat te dragen.

Dit apparaat is bedoeld voor gebruik bij omgevingstemperaturen van 10°C tot 43°C.

Het apparaat is volledig functioneel binnen de toegestane binnentemperatuur.

Wanneer u het apparaat gebruikt bij lagere kamertemperaturen, dan kunnen beschadigingen aan het apparaat tot een kamertemperatuur van 5°C worden uitgesloten.

Nismaten

Neem de nisafmetingen in acht als u uw apparaat in de nis inbouwt. Bij afwijkingen kunnen problemen optreden tijdens de installatie van het apparaat.

Nisdiepte

Bouw het apparaat in de aanbevolen nisdiepte van 560 mm in.

Bij een kleinere nisdiepte wordt het energieverbruik iets hoger. De nisdiepte moet minimaal 550 mm bedragen.

Nisbreedte

Voor het apparaat is een meubelnis met een binnenbreedte van minimaal 560 mm nodig.

Over-and-Under- en Side-by-Side-opstelling

Als u 2 koeltoestellen boven of naast elkaar wilt opstellen, moet u tussen de toestellen minimaal een tussenafstand van 150 mm aanhouden. Voor bepaalde toestellen is een opstelling zonder minimumafstand mogelijk.

Neem hiervoor contact op met uw dealer of keukeninstateur.

4.3 Apparaat monteren

- ▶ Het apparaat conform meegeleverde montagehandleiding monteren.

4.4 Het apparaat voor het eerste gebruik voorbereiden

1. Haal het informatiemateriaal er uit.
2. Verwijder de beschermfolie en transportborgingen, bijv. plakstrips en karton.
3. Het apparaat voor de eerste keer reinigen. → *Pagina 43*

¹ Afhankelijk van de apparaatuitvoering

² Niet in alle landen

4.5 Apparaat elektrisch aansluiten

1. De netstekker van het aansluit snoer van het apparaat in een stopcontact in de omgeving van het apparaat steken.
De aansluitgegevens van het apparaat staan op het typeplaatje.
→ Fig. 1 / 4
 2. De netstekker op vastheid controleren.
- ✓ Het apparaat is nu gereed voor gebruik.

5 Uw apparaat leren kennen

5.1 Apparaat

Hier vindt u een overzicht van de onderdelen van uw apparaat.

→ Fig. 1, Verschillen tussen uw apparaat en de afbeeldingen zijn mogelijk op basis van uitrusting en grootte.

1	Bedieningspaneel → Pagina 36
2	Vriesvaklegplateau
3	Klep van het vriesvak → Pagina 36
4	Typeplaatje → Pagina 49

5.2 Bedieningspaneel

Via het bedieningsveld kunt u alle functies van uw apparaat instellen en informatie krijgen over de gebruikstoestand.

→ Fig. 2

1	alarm schakelt het waarschuwings signaal uit.
---	---

2	−/+ stelt de temperatuur van het vriesvak in.
3	Toont de ingestelde temperatuur van het vriesvak in °C.
4	super schakelt Supervriezen in of uit.
5	📶 open het menu voor het instellen van Home Connect.
6	Ⓞ schakelt het apparaat in of uit.

6 Uitrusting

De uitrusting van uw apparaat is modelafhankelijk.

6.1 Klep van het vriesvak

Bewaar op het legplateau achter de klep van het vriesvak vaak gebruikte of kortstondig te bewaren levensmiddelen.

6.2 Accessoires

Gebruik alleen originele accessoires. Deze zijn op het apparaat afgestemd. De accessoires van het apparaat zijn afhankelijk van het model.

Koude-accu

Gebruik de koude-accu voor het tijdelijk koel houden van levensmiddelen, bijv. in een koeltas.

Tip: De koude-accu vertraagt bij het uitvallen van de stroom of bij een storing het verwarmen van de opgeslagen diepvrieswaren.

Ijsblokjeschaal

Gebruik de ijsblokjeschaal om ijsblokjes te maken.

Ijsblokjes maken

Gebruik voor het maken van ijsblokjes uitsluitend drinkwater.

1. Vul de schaal voor ijsblokjes voor $\frac{3}{4}$ met drinkwater en plaats deze in het diepvriesvak.
Maak vastgevroren levensmiddelen met een stomp voorwerp los, bijv. met een steel van een houten lepel.
2. Om de ijsblokjeschaal los te maken de ijsblokjeschaal iets torderen of kort onder stromend water houden.

7 De Bediening in essentie

7.1 Apparaat inschakelen

1. ① indrukken.
 - ✓ Het apparaat begint te koelen.
 - ✓ Er weerklinkt een waarschuwingssignaal en "alarm" brandt omdat het vriesvak nog te warm is.
2. Het waarschuwingssignaal met **alarm** uitschakelen.
 - ✓ "alarm" gaat uit zodra de ingestelde temperatuur is bereikt.
3. De gewenste temperatuur instellen.
→ *Pagina 37*

7.2 Opmerkingen bij het gebruik

- Wanneer u het apparaat heeft ingeschakeld, duurt het tot enkele uren voordat de ingestelde temperatuur wordt bereikt.
Plaats geen levensmiddelen in het apparaat voordat de ingestelde temperatuur is bereikt.
- De kopzijden van de behuizing worden tijdelijk licht verwarmd. Dit voorkomt vorming van condenswater in de zone van de deurafdichting.

- Wanneer u de deur sluit, kan een onderdruk ontstaan. De deur gaat dan alleen moeilijker open. Wacht een ogenblik tot de onderdruk wordt gecompenseerd.
- De temperatuur in het apparaat varieert door de volgende condities:
 - Het aantal keer dat het apparaat wordt geopend
 - Beladingshoeveelheid
 - Temperatuur van de vers opgeslagen levensmiddelen
 - Omgevingstemperatuur
 - Direct instralend zonlicht

7.3 Machine uitschakelen

- ▶ ① indrukken.

7.4 Temperatuur instellen

Vriesvaktemperatuur instellen

- ▶ Druk net zo vaak op $-/+$ totdat de temperatuuraanduiding de gewenste temperatuurinstelling weergeeft.
De aanbevolen temperatuur in het vriesvak bedraagt $-18\text{ }^{\circ}\text{C}$.

8 Extra functies

Kom te weten over welke instelbare extra functies uw apparaat beschikt.

8.1 Automatisch Supervriezen

Bij het automatisch Supervriezen koelt het vriesvak duidelijk op een lagere temperatuur dan bij de normale werking. Hierdoor bevriezen de levensmiddelen sneller tot in de kern. De automatische Supervriezen schakelt in als u verse levensmiddelen van rechts beginnend in de tweede diepvrieslade van onderen legt.

Als het automatische Supervriezen is ingeschakeld, brandt "super" en er kunnen meer geluiden ontstaan. Het apparaat schakelt na het verstrijken van het automatisch Supervriezen op normale werking.

Automatische Supervriezen annuleren

- ▶ Druk op **super**.
- ✓ De voordien ingestelde temperatuur wordt op indicatie aangegeven.

8.2 Handmatig Supervriezen

Bij het Supervriezen koelt het vriesvak zo koud mogelijk. Schakel Supervriezen 4 tot 6 uur voor het inladen van een hoeveelheid levensmiddelen vanaf 2 kg in het vriesvak in.

Om het invriesvermogen te benutten, gebruikt u Supervriezen.

→ "Voorwaarden voor invriesvermogen", Pagina 41

Opmerking: Als Supervriezen is ingeschakeld, kan er meer geluid ontstaan.

Handmatig Supervriezen inschakelen

- ▶ Druk op **super**.
- ✓ "super" brandt.

Opmerking: Na ca. 60 uur schakelt het apparaat over op de normale werking.

Handmatig Supervriezen uitschakelen

- ▶ Druk op **super**.
- ✓ De voordien ingestelde temperatuur wordt op indicatie aangegeven.

9 Alarm

9.1 Deuralarm

Als de deur van het apparaat langere tijd open staat wordt het deuralarm ingeschakeld.

Er klinkt een waarschuwingssignaal.

Deuralarm uitschakelen

- ▶ De apparaatdeur sluiten of op **alarm** drukken.
- ✓ Het waarschuwingssignaal is uitgeschakeld.

9.2 Temperatuuralarm

Wanneer het te warm is in het vriesvak, wordt het temperatuuralarm geactiveerd.

Er klinkt een waarschuwingssignaal en "alarm" brandt.



VOORZICHTIG

Kans op gevaar voor de gezondheid!

Bij het ontdooien kunnen bacteriën zich vermeerderen en kunnen de diepvrieswaren bederven.

- ▶ Half of geheel ontdooide diepvrieswaren niet opnieuw invriezen.
- ▶ Het voedsel pas na koken of braden opnieuw invriezen.
- ▶ De maximale bewaartijd niet meer ten volle benutten.

Het temperatuuralarm kan in de volgende gevallen inschakelen:

- Het apparaat wordt in gebruik genomen.
Levensmiddelen pas in het apparaat inruimen wanneer de ingestelde temperatuur is bereikt.
- Er worden grote hoeveelheden verse levensmiddelen ingeruimd.

Voor het in het apparaat inruimen van grote hoeveelheden levensmiddelen Supervriezen inschakelen.

- De deur van het vriesvak is te lang geopend.
Controleer of het diepvriesproduct deels of geheel is ontdooid.

Temperatuuralarm uitschakelen

- ▶ **alarm** indrukken.
- ✓ Het waarschuwingssignaal is uitgeschakeld.
- ✓ Vanaf dit moment wordt de warmste temperatuur opnieuw bepaald en in het geheugen opgeslagen.
- ✓ "alarm" brandt als de ingestelde temperatuur opnieuw is bereikt.

10 Home Connect

Dit apparaat is geschikt voor netwerken. Verbind uw apparaat met een mobiel eindapparaat om functies te kunnen bedienen via de Home Connect app te bedienen.

De Home Connect diensten zijn niet in elk land beschikbaar. De beschikbaarheid van de functie Home Connect is afhankelijk van de beschikbaarheid van de Home Connect diensten in uw land. Informatie hierover vindt u op: www.home-connect.com. Om Home Connect te kunnen gebruiken, dient u eerst de verbinding met het WLAN-thuisnetwerk (Wi-Fi¹) en met de Home Connect app te configureren.

Na het inschakelen van het apparaat ten minste 2 minuten wachten tot de interne initialisatie van het apparaat is voltooid. Configureer pas dan Home Connect.

De Home Connect app leidt u door het gehele aanmeldingsproces. Volg de aanwijzingen in de Home Connect app om de instellingen aan te brengen.

Tip: Neem ook de aanwijzingen in de Home Connect app in acht.

Opmerkingen

- Houd u aan de veiligheidsinstructies in deze gebruiksaanwijzing en zorg ervoor dat deze ook worden nageleefd wanneer u het apparaat via de Home Connect app bedient.
→ "*Veiligheid*", Pagina 29
- De bediening aan het apparaat heeft altijd voorrang. Gedurende deze tijd is de bediening via de Home Connect app niet mogelijk.

10.1 Home Connect app instellen

1. Installeer de Home Connect app op het mobiele eindapparaat.
2. De Home Connect app starten en de toegang voor Home Connect instellen.

De Home Connect app leidt u door het gehele aanmeldingsproces.

10.2 Home Connect instellen

Vereisten

- De Home Connect app is op het mobiele eindapparaat geïnstalleerd.
- Het apparaat heeft op de plaats van opstelling ontvangst van het thuisnetwerk (wifi).

¹ Wi-Fi is een geregistreerd handelsmerk van de Wi-Fi Alliance.

1. De Home Connect app openen en de volgende QR-code scannen.




2. De aanwijzingen van de Home Connect app opvolgen.

10.3 Update van de Home Connect software installeren

Het apparaat zoekt regelmatig naar updates voor de Home Connect software.

Opmerking: Als er updates beschikbaar zijn, toont de temperatuurindicatie "UP".

Om de update af te breken en de temperatuurindicatie op de ingestelde temperatuur terug te zetten, op een willekeurig touchveld drukken.


1.  indrukken.
 - ✓ De temperatuurindicatie geeft "Cn" weer.
2. Zo vaak op + drukken tot de temperatuurindicatie "UP" toont.
3. + indrukken.
 - ✓ De temperatuurindicatie toont een animatie.
 - ✓ De update wordt geïnstalleerd.
 - ✓ Tijdens de installatie is het bedieningspaneel geblokkeerd.
 - ✓ Bij een succesvolle installatie toont de temperatuurindicatie "On".
4. Als de temperatuurindicatie "Er" toont, kon het apparaat de update niet installeren.

- De procedure op een later tijdstip herhalen.

5. Neem wanneer de update na meerdere pogingen niet kan worden afgesloten, contact op met de Servicedienst → *Pagina 48*.

10.4 Home Connect instellingen resetten

Als het tot verbindingproblemen van uw apparaat met uw thuisnetwerk (WiFi) komt of als u uw apparaat in een ander thuisnetwerk (WiFi) wilt aanmelden, kunt u de Home Connect instellingen terugzetten.

1.  indrukken.
 - ✓ De temperatuurindicatie geeft "Cn" weer.
2. Zo vaak op + drukken tot de temperatuurindicatie "rE" toont.
3. + indrukken.
 - ✓ De temperatuurindicatie toont gedurende ca. 15 seconden een animatie.
 - ✓ De temperatuurindicatie geeft "On" weer.
 - ✓ De Home Connect instellingen zijn gereset.

10.5 Bescherming persoonsgegevens

Neem de aanwijzingen m.b.t. de bescherming van de persoonsgegevens in acht.

Wanneer uw apparaat voor de eerste keer wordt verbonden met een thuisnetwerk dat op het internet is aangesloten, geeft het de volgende

gegevenscategorieën door aan de Home Connect server (eerste registratie):

- Eenduidige identificatie van het apparaat (bestaande uit apparaatsleutels en het MAC-adres van de ingebouwde WiFi communicatiemodule).
- Veiligheidscertificaat van de WiFi communicatiemodule (voor de informatietechnische beveiliging van de verbinding).
- De actuele software- en hardwareversie van uw huishoudapparaat.
- Status van een eventuele eerdere reset naar de fabrieksinstellingen.

Bij de eerste registratie wordt het gebruik van de Home Connect functionaliteiten voorbereid. Deze registratie dient pas te worden uitgevoerd op het moment dat u voor het eerst van de Home Connect functionaliteiten gebruik wilt maken.

Opmerking: Let erop dat de Home Connect functionaliteiten alleen kunnen worden gebruikt in combinatie met de Home Connect app. Informatie over gegevensbescherming kan worden opgeroepen in de Home Connect app.

11 Vriesvak

In het vriesvak kunt u diepvrieswaren bewaren, levensmiddelen bevroren en ijsblokjes maken.

De temperatuur is van -16 °C tot -24 °C instelbaar.

Langdurig bewaren van levensmiddelen moet op een temperatuur van -18 °C of lager gebeuren.

Door het invriezen kunt u bederfelijke levensmiddelen gedurende lange tijd bewaren. De lage temperaturen vertragen of stoppen het bederven.

11.1 Invriescapaciteit

Het invriesvermogen geeft aan welke hoeveelheid levensmiddelen in hoeveel uur tot in de kern kan worden ingevroren.

Informatie over het invriesvermogen vindt u op het typeplaatje. → Fig. 1/

4

Voorwaarden voor invriesvermogen

1. Ca. 24 uur vóór het inladen van verse levensmiddelen, Supervriezen inschakelen.
→ *"Handmatig Supervriezen inschakelen", Pagina 38*
2. Vul eerst het bovenste vak met levensmiddelen.
3. Wanneer het bovenste vak niet groot genoeg is, de resterende hoeveelheid in het vak eronder inruimen.

11.2 Vriesvakvolume volledig gebruiken

Kom te weten hoe u de maximale hoeveelheid diepvriesproducten in het vriesvak kunt doen.

1. Alle uitrustingsdelen verwijderen.
→ *Pagina 44*
2. De levensmiddelen rechtstreeks op de plateaus en de bodem van het vriesvak bewaren.

11.3 Tips voor het bewaren van levensmiddelen in het vriesvak

- Bewaar de levensmiddelen luchtdicht verpakt.
- Breng in te vriezen levensmiddelen niet in aanraking met ingevroren levensmiddelen.
- De levensmiddelen naast elkaar in de diepvriesladen leggen.

- Voor een goede luchtcirculatie in het apparaat de diepvrieslade tot aan de aanslag inschuiven.

11.4 Tips voor het bevriezen van verse levensmiddelen

- Alleen verse en onberispelijke levensmiddelen bevriezen.
- Levensmiddelen per portie invriezen.
- Bereide levensmiddelen zijn beter geschikt dan rauw eetbare levensmiddelen.
- Groente vóór het invriezen wassen, kleiner maken en blancheren.
- Fruit vóór het invriezen wassen, ontpitten en eventueel schillen, eventueel suiker of ascorbinezuuroplossing toevoegen.
- Voor het invriezen geschikte levensmiddelen zijn bijv. bakwaren, vis en zeevruchten, vlees, wild en gevogelte, eieren zonder schaal, kaas, boter, kwark, kant-en-klaargerechten en etensresten.
- Voor het invriezen ongeschikte levensmiddelen zijn bijv. kropsla, radijsjes, eieren met schaal, druiven, rode appels en peren, yoghurt, zure room, crème fraîche en mayonaise.

Diepvrieswaren verpakken

Geschikt verpakkingsmateriaal en de juiste soort verpakking behouden in hoge mate de productkwaliteit en vermijden vriesbrand.

1. De levensmiddelen in de verpakking leggen.
2. De lucht eruit drukken.
3. De verpakking luchtdicht afsluiten om te voorkomen dat de levensmiddelen hun smaak verliezen of uitdrogen.
4. De verpakking met de inhoud van de invriesdatum voorzien.

11.5 Houdbaarheid van de diepvrieswaren bij -18°C

Product	Bewaartijd
Vis, worst, klaarge-maakte gerechten, brood en banket	Tot 6 maanden
Gevogelte, vlees	Tot 8 maanden
Groente, fruit	Tot 12 maanden

De erop gedrukte vrieskalender geeft de maximale bewaartijd in maanden aan bij een constante temperatuur van -18°C .

11.6 Ontdooimethodes voor diepvrieswaren



VOORZICHTIG

Kans op gevaar voor de gezondheid!

Bij het ontdooien kunnen bacteriën zich vermeerderen en kunnen de diepvrieswaren bederven.

- ▶ Half of geheel ontdooide diepvrieswaren niet opnieuw invriezen.
- ▶ Het voedsel pas na koken of braden opnieuw invriezen.
- ▶ De maximale bewaartijd niet meer ten volle benutten.
- Dierlijke levensmiddelen in het koelvak ontdooien, bijv. vis, vlees, kaas en kwark.
- Brood bij kamertemperatuur ontdooien.
- Levensmiddelen voor directe consumptie in de magnetron, in de oven of op de kookplaat bereiden.

12 Ontdooien

12.1 Ontdooien in het vriesvak

Door het volledig automatische “NoFrost”-systeem blijft het vriesvak vorstvrij. Ontdooien is niet nodig.

13 Reiniging en onderhoud

Reinig en onderhoud uw apparaat zorgvuldig om er voor te zorgen dat het lang goed blijft werken. De reiniging van ontoegankelijke plaatsen moet door de servicedienst worden uitgevoerd. Aan de reiniging door de servicedienst kunnen kosten verbonden zijn.

13.1 Apparaat voorbereiden voor reiniging

1. Het apparaat uitschakelen.
→ *Pagina 37*
2. Haal de stekker van het apparaat uit het stopcontact.
De stekker van het netsnoer uit het stopcontact trekken of de zekering in de meterkast uitschakelen.
3. Alle levensmiddelen eruit halen en op een koele plaats bewaren.
Indien beschikbaar koelelementen op de levensmiddelen leggen.
4. Verwijder alle uitrustingsdelen en accessoires uit het apparaat.
→ *Pagina 44*

13.2 Apparaat schoonmaken



WAARSCHUWING

Kans op elektrische schok!

Binnendringend vocht kan een schok veroorzaken.

- ▶ Geen stoomreiniger of hogedrukreiniger gebruiken om het apparaat te reinigen.

Vloeistof in de verlichting of in de bedieningselementen kan gevaarlijk zijn.

- ▶ Het afwaswater mag niet in de verlichting of in de bedieningselementen terechtkomen.

LET OP!

Ongeschikte reinigingsmiddelen kunnen de oppervlakken van het apparaat beschadigen.

- ▶ Geen harde schuur- of afwaspontjes gebruiken.
- ▶ Geen scherpe of schurende reinigingsmiddelen gebruiken.
- ▶ Geen sterk alcoholhoudende reinigingsmiddelen gebruiken.

Wanneer u uitrustingsdelen en accessoires in de vaatwasser reinigt, kunnen deze vervormen of verkleuren.

- ▶ Nooit uitrustingsdelen en accessoires in de vaatwasser reinigen.

1. Apparaat voorbereiden voor reiniging. → *Pagina 43*
2. Het apparaat, de uitrustingsdelen, de accessoires en de deurafdichtingen met een vaatdoek, lauw water en een beetje pH-neutraal afwasmiddel reinigen.
3. Met een zachte, droge doek grondig nadrogen.
4. De uitrustingsdelen plaatsen.
5. Het apparaat elektrisch aansluiten.
→ *Pagina 36*
6. Het apparaat inschakelen.
→ *Pagina 37*

nl Reiniging en onderhoud

7. Doe de levensmiddelen in het apparaat.

13.3 Onderdelen eruit halen

Neem wanneer u de uitrustingsdelen grondig wilt reinigen deze uit het apparaat.

Klep van het vriesvak verwijderen

- ▶ De klep van het vriesvak openen en van de houder losmaken.

→ Fig. **3**

Vriesvaklegplateau verwijderen

- ▶ Het vriesvaklegplateau uittrekken en verwijderen.

→ Fig. **4**

Diepvrieslade verwijderen

1. De diepvrieslade tot aan de aanslag uittrekken.
2. De diepvrieslade vooraan optillen ① en eruit halen ②.

→ Fig. **5**

14 Storingen verhelpen

Kleinere storingen aan het apparaat kunt u zelf verhelpen. Raadpleeg voordat u contact opneemt met de klantenservice de informatie over het verhelpen van storingen. Zo voorkomt u onnodige kosten.

WAARSCHUWING

Kans op elektrische schok!

Ondeskundige reparaties zijn gevaarlijk.

- ▶ Alleen daarvoor geschoold vakpersoneel mag reparaties aan het apparaat uitvoeren.
- ▶ Er mogen uitsluitend originele reserveonderdelen worden gebruikt voor reparatie van het apparaat.
- ▶ Als het netsnoer van dit apparaat beschadigd raakt, moet het ter vermindering van risico's worden vervangen door de fabrikant, de servicedienst of een andere gekwalificeerde persoon.

Storing	Oorzaak en probleemoplossing
Apparaat koelt niet, indicaties en verlichting branden.	Het presentatielicht is ingeschakeld. <ul style="list-style-type: none"> ▶ Voer de apparaatzelftest uit. → <i>Pagina 47</i> ✓ Na het verstrijken van de apparaatzelftest gaat het apparaat weer over op normale werking.
Home Connect functie werkt niet correct.	Verschillende oorzaken zijn mogelijk. <ul style="list-style-type: none"> ▶ Ga naar www.home-connect.com.
E of d verschijnt op het temperatuurdisplay.	De elektronica heeft een fout geconstateerd. <ol style="list-style-type: none"> 1. Schakel het apparaat uit. → <i>Pagina 37</i> 2. Koppel het apparaat los van de voedingsspanning. Haal stekker van het netsnoer uit het stopcontact trekken of schakel de zekering in de meterkast uit. 3. Sluit het apparaat na 5 minuten weer aan. 4. Verschijnt de melding nog steeds, neem dan contact op met de servicedienst. <p>Het nummer van de servicedienst vindt u in het bijgevoegde overzicht van servicediensten.</p>
De temperatuurindicatie knippert.	Verschillende oorzaken zijn mogelijk. <ul style="list-style-type: none"> ▶ Druk op alarm. ✓ Schakel het alarm uit. <p>Deur van het apparaat is open.</p> <ul style="list-style-type: none"> ▶ Sluit de deur van het apparaat. <p>Externe ventilatieopeningen zijn afgedekt.</p> <ul style="list-style-type: none"> ▶ Verwijder hindernissen vóór de externe ventilatieopeningen.

Storing	Oorzaak en probleemoplossing
De temperatuurindicatie knippert.	<p>Er zijn grotere hoeveelheden verse levensmiddelen ingeruimd.</p> <ul style="list-style-type: none"> ▶ Overschrijd het vriesvermogen niet. → "<i>Invriescapaciteit</i>", <i>Pagina 41</i>
Er klinkt een waarschuwingssignaal, het temperatuurdisplay knippert en "alarm" brandt.	<p>Verschillende oorzaken zijn mogelijk.</p> <ul style="list-style-type: none"> ▶ Druk op alarm. ✓ Schakel het alarm uit. <hr/> <p>Deur van het apparaat is open.</p> <ul style="list-style-type: none"> ▶ Sluit de deur van het apparaat. <hr/> <p>Externe ventilatieopeningen zijn afgedekt.</p> <ul style="list-style-type: none"> ▶ Verwijder hindernissen vóór de externe ventilatieopeningen. <hr/> <p>Er zijn grotere hoeveelheden verse levensmiddelen ingeruimd.</p> <ul style="list-style-type: none"> ▶ Overschrijd het vriesvermogen niet. → "<i>Invriescapaciteit</i>", <i>Pagina 41</i>
Temperatuur wijkt erg af van de instelling.	<p>Verschillende oorzaken zijn mogelijk.</p> <ol style="list-style-type: none"> 1. Schakel het apparaat uit. → <i>Pagina 37</i> 2. Schakel het apparaat na ca. 5 minuten opnieuw in. → <i>Pagina 37</i> <ul style="list-style-type: none"> – Als de temperatuur te hoog is, controleer dan de temperatuur na een paar uur opnieuw. – Als de temperatuur te laag is, controleer de temperatuur dan de volgende dag opnieuw.
Het apparaat broemt, borrelt, zoemt, gorgelt, klikt, of maakt knakgeluiden.	<p>Geen storing. Een motor draait, bijv. koelaggregaat, ventilator. Er stroomt koudemiddel door de buizen. Motor, schakelaars of magneetventielen schakelen in- of uit. Het automatische ontdooisysteem treedt in werking.</p> <p>Geen handeling vereist. Geen handeling vereist.</p>
Apparaat produceert geluiden.	<p>Uitrustingsdelen wiebelen of klemmen.</p> <ul style="list-style-type: none"> ▶ Controleer de uitneembare uitrustingsdelen en zet ze eventueel opnieuw in het apparaat. <hr/> <p>Serviesgoed raakt elkaar.</p> <ul style="list-style-type: none"> ▶ Zet het serviesgoed verder uit elkaar. <hr/> <p>Supervriezen is ingeschakeld.</p> <p>Geen handeling vereist. Geen handeling vereist.</p>

14.1 Stroomuitval

Tijdens een stroomuitval stijgt de temperatuur in het apparaat, hierdoor verkort de bewaartijd en de kwaliteit van de diepvriesproducten vermindert.

Op onze website van uw apparaat vindt in de technische gegevens de bewaartijd van de diepvriesproducten in geval van een storing.

Opmerkingen

- Het apparaat tijdens een stroomuitval zo weinig mogelijk openen en geen andere levensmiddelen inruimen.
- De kwaliteit van de levensmiddelen onmiddellijk na de stroomuitval controleren.
 - Diepvriesproducten die ontdooid en warmer dan 5 °C zijn, weggoien.
 - Licht ontdooid diepvriesproducten koken of bakken en ofwel verbruiken of opnieuw invriezen.

14.2 Apparaatzelftest uitvoeren

Uw apparaat beschikt over een apparaatzelftest, welke storingen weergeeft, die uw service kan verhelpen.

1. Het apparaat uitschakelen.
→ *Pagina 37*
2. Het apparaat na 5 minuten opnieuw inschakelen. → *Pagina 37*
3. Binnen 10 seconden na het inschakelen **super** gedurende 3 tot 5 seconden ingedrukt houden tot er een akoestisch signaal weerklinkt.
 - ✓ De apparaatzelftest start.
 - ✓ Tijdens de apparaatzelftest weerklinkt tussendoor een lang akoestisch signaal.

- ✓ Als na het einde van de apparaatzelftest 2 akoestische signalen weerklinken en de temperatuurindicatie de ingestelde temperatuur toont, is uw apparaat in orde. Het apparaat gaat over op de normale werking.
- ✓ Als na het einde van de apparaatzelftest 5 akoestische signalen klinken en "super" gedurende 10 seconden knippert, neem dan contact op met de service.

15 Opslaan en afvoeren

15.1 Apparaat buiten gebruik stellen

1. Het apparaat uitschakelen.
→ *Pagina 37*
2. Haal de stekker van het apparaat uit het stopcontact.

De stekker van het netsnoer uit het stopcontact trekken of de zekering in de meterkast uitschakelen.

3. Alle levensmiddelen verwijderen.
4. Het apparaat reinigen.
→ *Pagina 43*
5. Om de ventilatie van het interieur te waarborgen het apparaat geopend laten.

15.2 Afvoeren van uw oude apparaat

Door een milieuvriendelijke afvoer kunnen waardevolle grondstoffen opnieuw worden gebruikt.

WAARSCHUWING

Kans op gevaar voor de gezondheid!

Kinderen kunnen zich in het apparaat opsluiten en in levensgevaar geraken.

- ▶ Om te voorkomen dat kinderen in het apparaat kruipen legplateaus en lades niet uit het apparaat nemen.
- ▶ Kinderen uit de buurt van een afgedankt apparaat houden.

WAARSCHUWING

Kans op brand!

Bij beschadiging van de leidingen kunnen brandbaar koudemiddel en schadelijke gassen ontsnappen en ontsteken.

- ▶ De buizen van de koudemiddelkringloop en de isolatie niet beschadigen.
1. De stekker van het netsnoer uit het stopcontact trekken.
 2. Het netsnoer doorknippen.
 3. Voer het apparaat milieuvriendelijk af.

Bij uw dealer en uw gemeente- of deelraadskantoor kunt u informatie verkrijgen over de actuele afvoermethoden.



Dit apparaat is gekenmerkt in overeenstemming met de Europese richtlijn 2012/19/EU betreffende afgedankte elektrische en elektroni-

sche apparatuur (waste electrical and electronic equipment - WEEE). De richtlijn geeft het kader aan voor de in de EU geldige terugneming en verwerking van oude apparaten.

16 Servicedienst

Originele vervangende onderdelen die relevant zijn voor de werking in overeenstemming met de desbetreffende Ecodesign-verordening kunt u voor de duur van ten minste 10 jaar vanaf het moment van in de handel brengen van het apparaat binnen de Europese Economische Ruimte bij onze servicedienst verkrijgen.

Opmerking: Het inschakelen van de servicedienst is in het kader van de plaatselijk geldende fabrieksgarantievoorwaarden gratis. De minimumduur van de garantie (fabrieksgarantie voor particuliere gebruikers) in de Europese Economische Ruimte bedraagt 2 jaar in overeenstemming met de geldende plaatselijke garantievoorwaarden. De garantievoorwaarden doen geen afbreuk aan eventuele andere rechten of claims die u op grond van het plaatselijke recht heeft.

Gedetailleerde informatie over de garantieperiode en garantievoorwaarden in uw land kunt u opvragen bij onze servicedienst, uw dealer of op onze website.

Als u contact opneemt met de servicedienst, hebt u het productnummer (E-Nr.) en het productienummer (FD) van het apparaat nodig.

De contactgegevens van de servicedienst vindt u in de meegeleverde servicedienstlijst of op onze website.

16.1 Productnummer (E-nr.) en productienummer (FD)

Het productnummer (E-Nr.) en het productienummer (FD) vindt u op het typeplaatje van het apparaat.

→ Fig. **1** / **4**

Om uw apparaatgegevens en de servicedienst-telefoonnummers snel terug te kunnen vinden, kunt u de gegevens noteren.

17 Technische gegevens

Koudemiddel, netto inhoud en overige technische gegevens bevinden zich op het typeplaatje.

→ Fig. **1** / **4**

Meer informatie over uw model vindt u op het internet onder <https://eprel.ec.europa.eu/>¹. Dit webadres verwijst naar de officiële EU-productdatabank EPREL. Volg dan de aanwijzingen bij het zoeken naar het model op. De modelidentificatie bestaat

uit het teken voor de slash van het E-nummer (E-Nr.) op het typeplaatje. Alternatief vindt u de modelidentificatie ook in de eerste regel van het EU-energielabel.

18 Conformiteitsverklaring

Hiermee verklaart BSH Hausgeräte GmbH, dat het apparaat met Home Connect functionaliteit voldoet aan de fundamentele vereisten en de overige toepasselijke bepalingen van de richtlijn 2014/53/EU.

Een uitvoerige RED conformiteitsverklaring vindt u op het internet onder siemens-home.bsh-group.com op de productpagina van uw apparaat bij de aanvullende documenten.



2,4-GHz-band (2400–2483,5 MHz):
max. 100 mW

5-GHz-band (5150–5350 MHz +
5470–5725 MHz): max. 50 mW



BE	BG	CZ	DK	DE	EE	IE	el	ES
FR	HR	IT	CY	LI	LV	LT	LU	HU
MT	NL	AT	PL	PT	RO	SI	SK	FI
SE	NO	CH	TR	IS	UK (NI)			

5 GHz WLAN (WiFi): alleen voor het gebruik binnenshuis.

AL	GA	MD	ME	MK	RS	UK	UA
----	----	----	----	----	----	----	----

5 GHz WLAN (WiFi): alleen voor het gebruik binnenshuis.

¹ Geldt alleen voor landen in de Europese Economische Ruimte



A series of horizontal lines for writing, starting from the top left and extending across the width of the page.

EN Manufactured by BSH Hausgeräte GmbH under the trademark licence of Siemens AG

NL Geproduceerd door BSH Hausgeräte GmbH onder de handelsmerkllicentie van Siemens AG

Valid within Great Britain:
Imported to Great Britain by
BSH Home Appliances Ltd.
Grand Union House
Old Wolverton Road
Wolverton, Milton Keynes
MK12 5PT
United Kingdom

BSH Hausgeräte GmbH
Carl-Wery-Straße 34
81739 München, GERMANY
siemens-home.bsh-group.com



9001547037

(040801)

en, nl