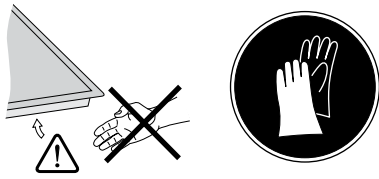
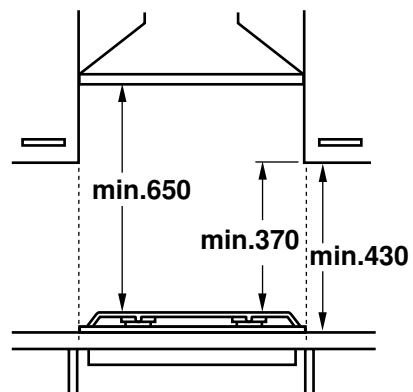
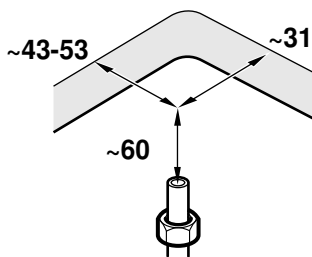
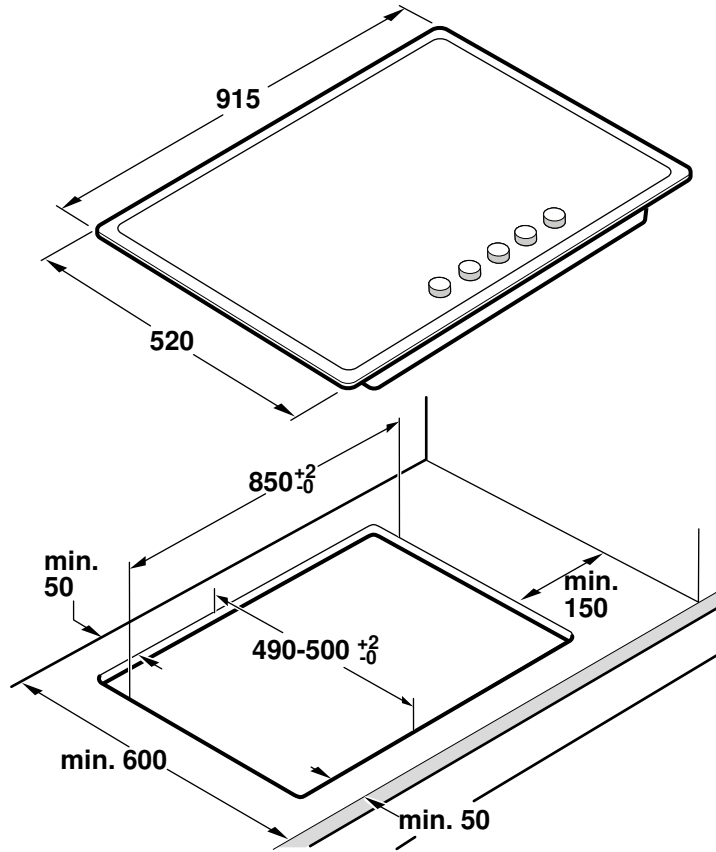




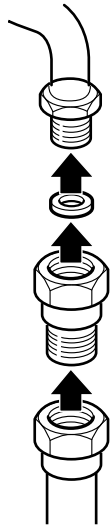
en Installation instructions



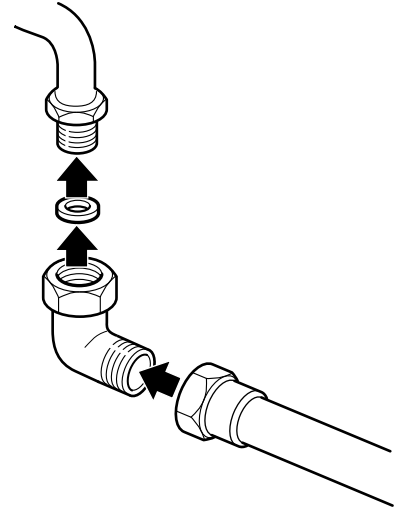
1



4

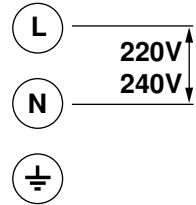


4a

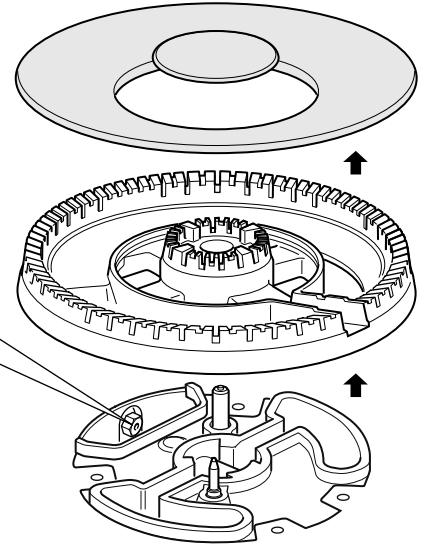
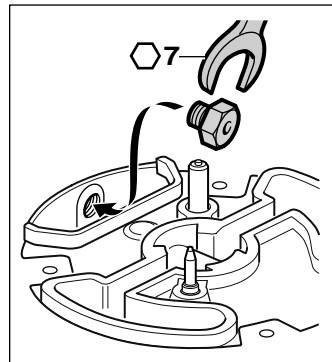
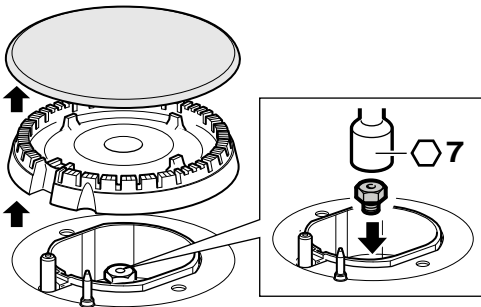


5

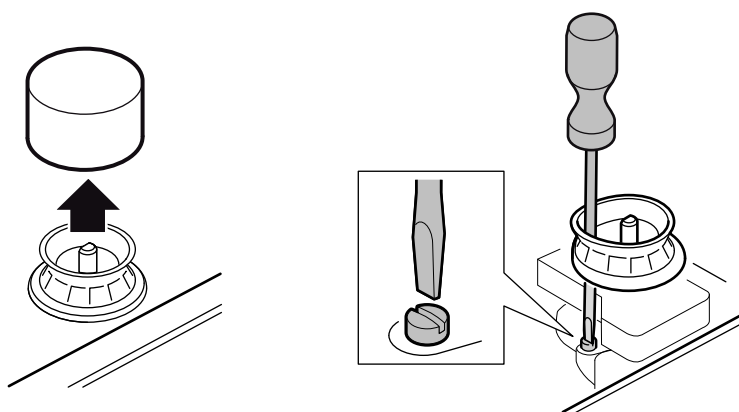
220V - 240V ~



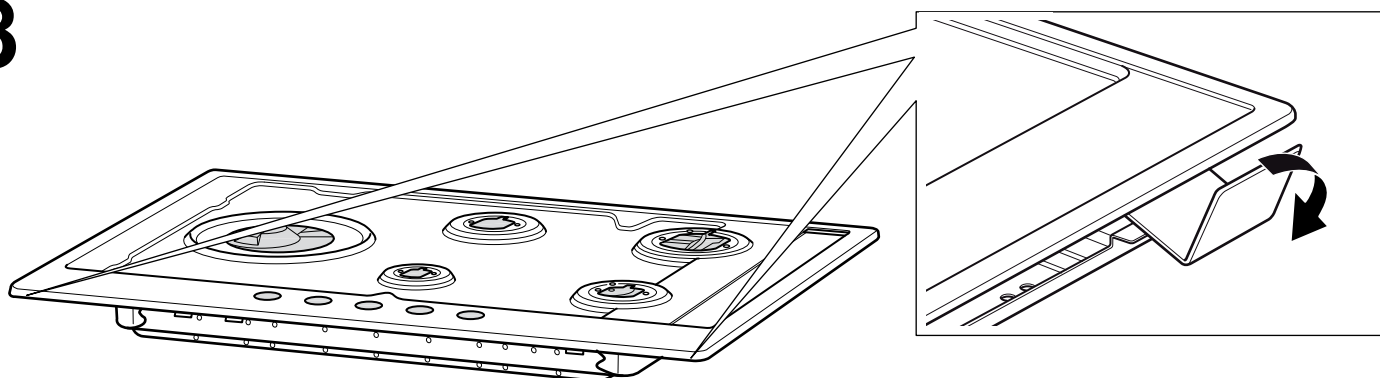
6



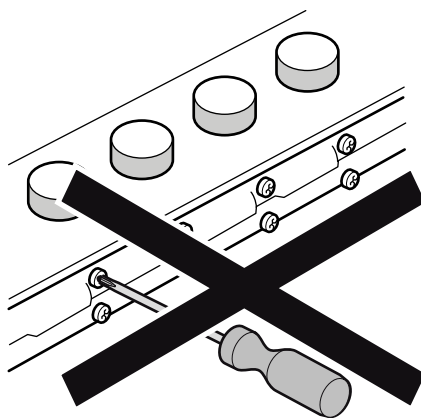
7





8








9



10

| gas | mbar |  | Qn (kW) | m ³ /h | g/h |  |
|-------|------|-------------------------------------------------------------------------------------|---------|-------------------|-----|---------------------------------------------------------------------------------------|
| G20 | 20 | 73 | 1 | 0,095 | - | 30 |
| G20 | 25 | 70 | 1 | 0,095 | - | 30 |
| G25 | 20 | 75 | 1 | 0,111 | - | 30 |
| G25 | 25 | 77 | 1 | 0,111 | - | 30 |
| G25.1 | 25 | 77 | 0,9 | 0,100 | - | 30 |
| G25.3 | 25 | 77 | 1 | 0,108 | - | 30 |
| G30 | 29 | 50 | 1 | - | 73 | 30 |
| G30 | 37 | 45 | 1 | - | 73 | 30 |
| G30 | 50 | 44 | 1 | - | 73 | 26 |
| G31 | 37 | 50 | 1 | - | 71 | 30 |

| | gas | mbar |  | Qn (kW) | m ³ /h | g/h |  |
|------------------------------------------------------------------------------------|-------|------|----------------------------------------------------------------------------------|---------|-------------------|-----|------------------------------------------------------------------------------------|
|  | G20 | 20 | 97 | 1,75 | 0,167 | - | 32 |
| | G20 | 25 | 91 | 1,75 | 0,167 | - | 32 |
| | G25 | 20 | 100 | 1,75 | 0,194 | - | 32 |
| | G25 | 25 | 95 | 1,75 | 0,194 | - | 32 |
| | G25.1 | 25 | 95 | 1,6 | 0,177 | - | 32 |
| | G25.3 | 25 | 95 | 1,75 | 0,190 | - | 32 |
| | G30 | 29 | 66 | 1,75 | - | 127 | 32 |
| | G30 | 37 | 61 | 1,75 | - | 127 | 32 |
| | G30 | 50 | 58 | 1,75 | - | 127 | 29 |
| | G31 | 37 | 66 | 1,75 | - | 125 | 32 |
|  | G20 | 20 | 128 | 3 | 0,286 | - | 39 |
| | G20 | 25 | 120 | 3 | 0,286 | - | 39 |
| | G25 | 20 | 134 | 3 | 0,333 | - | 39 |
| | G25 | 25 | 126 | 3 | 0,333 | - | 39 |
| | G25.1 | 25 | 126 | 2,8 | 0,310 | - | 39 |
| | G25.3 | 25 | 126 | 3 | 0,325 | - | 39 |
| | G30 | 29 | 87 | 3 | - | 218 | 39 |
| | G30 | 37 | 80 | 3 | - | 218 | 39 |
| | G30 | 50 | 75 | 3 | - | 218 | 35 |
| | G31 | 37 | 87 | 3 | - | 214 | 39 |
|  | G20 | 20 | 148 | 4 | 0,381 | - | 61 |
| | G20 | 25 | 138 | 4 | 0,381 | - | 61 |
| | G25 | 20 | 150 | 4 | 0,443 | - | 61 |
| | G25 | 25 | 145 | 4 | 0,443 | - | 61 |
| | G25.1 | 25 | 145 | 3,8 | 0,420 | - | 61 |
| | G25.3 | 25 | 145 | 4 | 0,434 | - | 61 |
| | G30 | 29 | 98 | 4 | - | 290 | 61 |
| | G30 | 37 | 94 | 4 | - | 290 | 61 |
| | G30 | 50 | 88 | 4 | - | 290 | 55 |
| | G31 | 37 | 98 | 4 | - | 285 | 61 |

11

| | G20/20 | G20/25 | G25/20 | G25/25 | G25.1/25 | G25.3/25 | G30/29 | G30/37 | G30/50 | G31/37 |
|-----------------|--------|--------|--------|--------|----------|----------|--------|--------|--------|--------|
| G20/20 | - | D | D | D | D | D | A | A | C+A | A |
| G20/25 | D | - | D | D | D | D | A | A | C+A | A |
| G25/20 | D | D | - | D | D | D | A | A | C+A | A |
| G25/25 | D | D | D | - | D | D | A | A | C+A | A |
| G25.1/25 | D | D | D | D | - | D | A | A | C+A | A |
| G25.3/25 | D | D | D | D | D | - | A | A | C+A | A |
| G30/29 | B | B | B | B | B | B | - | D | C+A | D |
| G30/37 | B | B | B | B | B | B | D | - | C+A | D |
| G30/50 | C+B | C+B | C+B | C+B | C+B | C+B | C+B | C+B | - | C+A |
| G31/37 | B | B | B | B | B | B | D | D | C+A | - |

G20, G20/G25 Erdgas, Aardgas, Gaz naturel, Erdgas H, Ergas E, Naturgas, Gas natural, Maakaasu, Gaz naturel Lacq, Natural gas, Φυσικό αέριο, Gas naturale/Gas metano, Gás Natural, Zemný plyn, Zemeljski plin

G25 Aardgas, Gaz naturel, Erdgas LL, Gaz naturel Groningue

G30/G31, G30, G31 Flüssiggas, Butaan/Propaan, Butano/Propano, Butan/Propan, Flüssiggas B/P, F-Gas, Butaani/Propani, Butane/Propane, Υγρόαέριο μείγμα / Προπάνιο, GPL, Bután/Propán

G110 Bygas, Gas manufacturado

Safety precautions

Read the appliance's instructions before installing and using. The images shown in these instructions are for guidance only.

The manufacturer is exempt from all responsibility if the requirements of this manual are not complied with.

This appliance must only be used in well ventilated places. It must not be connected to a combustion product removal device.

All operations relating to installation, connection, regulation and conversion to other gas types must be carried out by an authorised installation engineer, respecting all applicable regulations, standards and the specifications of the local gas and electricity suppliers. Special attention shall be paid to ventilation regulations.

It is recommended you contact the Technical Assistance Service to change to another gas type.

This appliance has been designed for home use only, not for commercial or professional use. This appliance cannot be installed on yachts or in caravans. The warranty will only be valid if the appliance is used for the purpose for which it was designed.

Before installing, you need to check that local distribution conditions are compatible with the appliance's adjustment indicated on the specifications plate (gas type and pressure, power, voltage).

Before you begin, turn off the appliance's electricity and gas supply.

The supply cable must be attached to the unit to prevent it from touching hot parts of the oven or hob.

Appliances with electrical supply must be earthed.

Do not tamper with the appliance's interior. If necessary, call our Technical Assistance Service.

Before installing

This appliance is class 3 type, according to the EN 30-1-1 regulation for gas appliances: built-in appliance.

The kitchen unit in which the appliance is installed must be properly secured and stable.

The kitchen units next to the appliance, the laminated covering and glue for adhering it must be made of non-flammable and heat-resistant materials.

This appliance cannot be installed above fridges, washing machines, dishwashers or similar.

The hob may only be fitted above a ventilated oven.

If an oven is installed underneath the hob, the thickness specified for the work surface may exceed the minimum thickness stated in these instructions. Observe the information in the oven installation instructions.

If an extractor fan is installed, you must follow the instructions in the installation manual, always respecting the minimum vertical distance from the hob (fig. 1).

Preparation of the kitchen unit (fig. 1-2)

Make an appropriate size cut in the work surface.

Seal all work surfaces made of wood with special sealer/glue to protect it against moisture damage.

If there is no oven beneath the hob, put a non-flammable separator (e.g.. metal or plywood) 10 mm from the base of the hob. This will prevent access to the base of the hob.

The distance from the intermediate floor to the mains connection for the appliance must be at least 10 mm.

Installation of appliance (fig. 3)

Note: Wear protective gloves to fit the hob.

Depending on the model, the adhesive seal may be factory-fitted. If this is the case, it should not be removed under any circumstances, since the adhesive seal prevents leaks. If the seal has not been factory-fitted, apply it to the underside of the hob.

Fitting the appliance onto the kitchen unit:

1. Screw each one of the clips into the position indicated so that they are free to rotate.
2. Insert and centre the hob.
Press the sides of the hob until it is supported around its entire perimeter.
3. Turn the clips and tighten them fully.
The position of the clips depends on how thick the work surface is.

Do not stick the hob onto the worktop with silicone.

Removal of hob

Turn off the appliance's electricity and gas supply.

Unscrew the clips and proceed in the reverse order to installation.

Gas connection (fig. 4)

The gas connection must be located in a position where the stop tap is accessible.

The end of the inlet connection point of the gas hob has a 1/2" thread (20.955 mm) that allows for:

- A fixed connection.
- Connection using a flexible pipe (L min. 1 m - max. 3 m).

The watertight seal (034308) supplied must be inserted between the manifold outlet and the gas supply.

You must prevent the pipe from coming into contact with moving parts of the kitchen unit (for example, a drawer) and prevent access to any spaces which might become obstructed.

If you want to create a conical connection, insert the accessory with number 427950 and the seal with number 034308 (included in the scope of delivery or available from the after-sales service) between the gas hob inlet pipe and the gas supply. Fig. 4.

If you need to connect the gas supply horizontally, our Technical Assistance Service can supply you with an L-tube (code 173018) and a seal (code 034308). Fig. 4a.

⚠ Danger of leaks!

If any connection is handled, check the seal.

The manufacturer is not liable for any connection leaking, after being handled.

Electric connection (fig. 5)

This appliance is type "Y": the supply cable can only be changed by the Technical Assistance Service and not the user. The cable type and minimum cross-section must be respected.

The hobs are supplied with a power cable with or without a wall socket plug.

Appliances with plugs must only be connected to sockets that have earth wires correctly installed.

Provide an omnipolar cut-off switch with a minimum contact opening of 3 mm (except for plug connections, if the user has access to it).

Changing the gas type

If the country's regulations allow, this appliance can be adapted to other types of gas (see specifications plate). The components required for this are in the transformation kit supplied (depending on the model) or are available from our Technical Assistance Service.

Important: After finishing, stick the sticker, indicating the new gas type, close to the specifications plate.

The following steps should be taken:

A) Replacing the nozzles (fig. 6):

1. Remove all pan supports, burner caps and distributors.
2. To replace the nozzles, use the key that is available from our technical service with code 340847 (for dual-flame burners 340808). See table (fig. 10). It is important to make sure that the nozzle does not become detached during removal or fastening. They must be properly tightened to ensure that there are no leaks.

With these burners, there is no need to adjust the primary air.

3. Fasten the nozzles and burner caps to the corresponding burners. In addition to this, put the pan supports in place on the corresponding burners.

B) Adjusting the gas valves (fig. 7):

1. Turn the control knobs to the lowest setting.
2. Remove the control knobs from the gas valves. A flexible rubber sealing ring will be visible. Push down with the tip of a screwdriver on the gas valve's setting screw.

Never remove the sealing ring. Sealing rings prevent liquids and dirt from finding their way into the appliance and impairing its ability to function properly.

3. Adjust the minimum ring setting by turning the by-pass screw using a flat head screwdriver.

Depending on the gas to which your appliance is going to be adapted, see table in fig. 11, carry out the corresponding action:

A: firmly tighten the by-pass screws.

B: loosen the by-pass screws until the gas flow from the burners is correct.

C: the by-pass screws need to be changed by an authorised engineer.

D: do not touch the by-pass screws.

Make sure that the flame does not go out and that there are no flashbacks when you turn the control knob between the highest and lowest setting.

If the by-pass screw cannot be accessed, disassemble the grease drip tray, which is fitted to the hob via a series of clips and screws. Remove it as follows:

1. Remove all pan supports, burner caps, diffusers and control knobs.
2. Remove the screws from the burners.
3. If necessary, use the disassembly lever 483196 available from our Technical Assistance Service. To release the front clips, apply the lever to the area shown in figure 8.
4. To reinstall the appliance, proceed in the reverse order to disassembly.

Never remove the tap spindle (Fig. 9). In the event of a malfunction, change the whole tap.