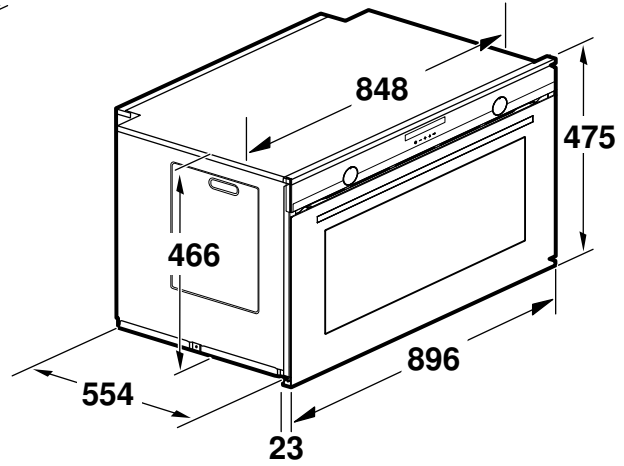
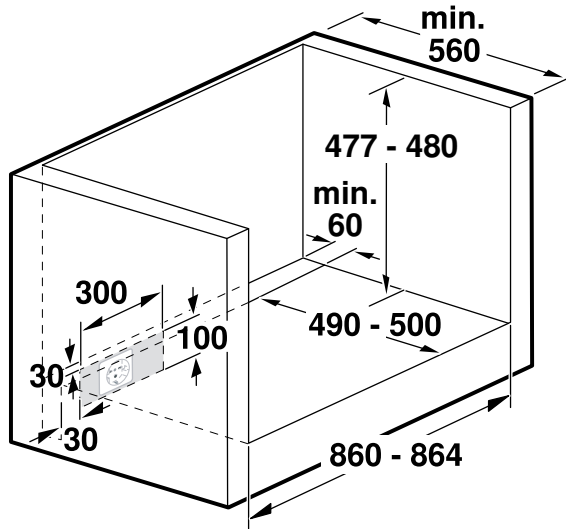
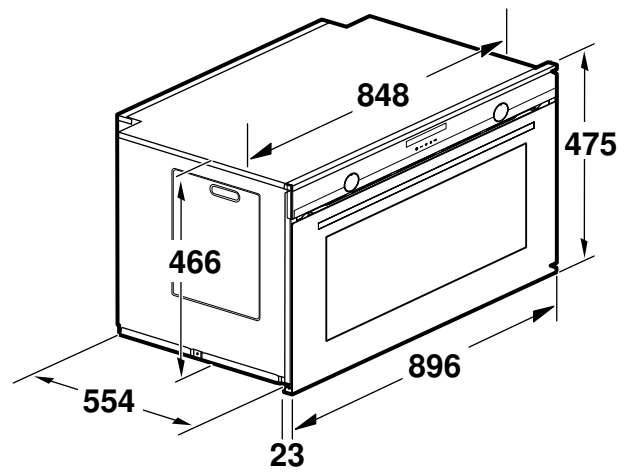
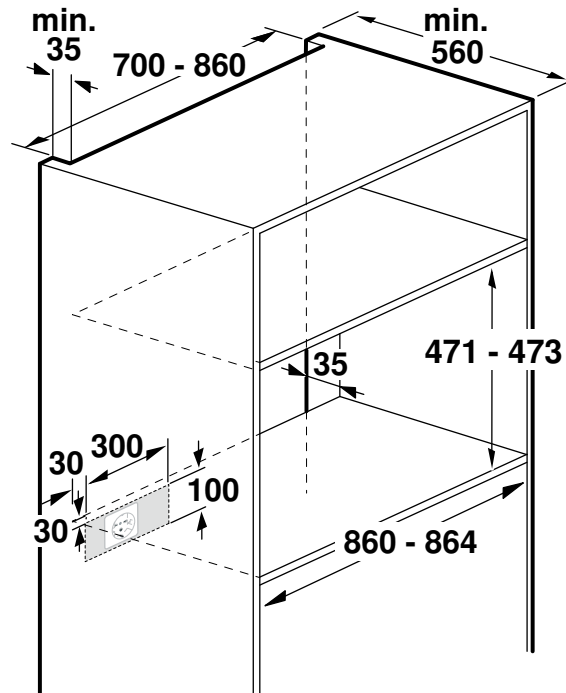




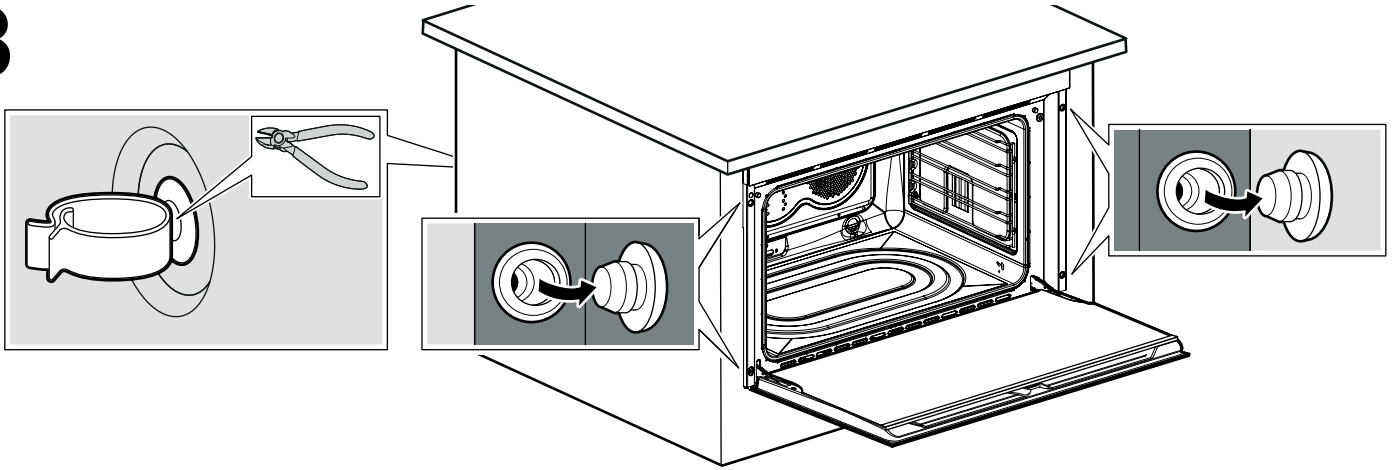
1



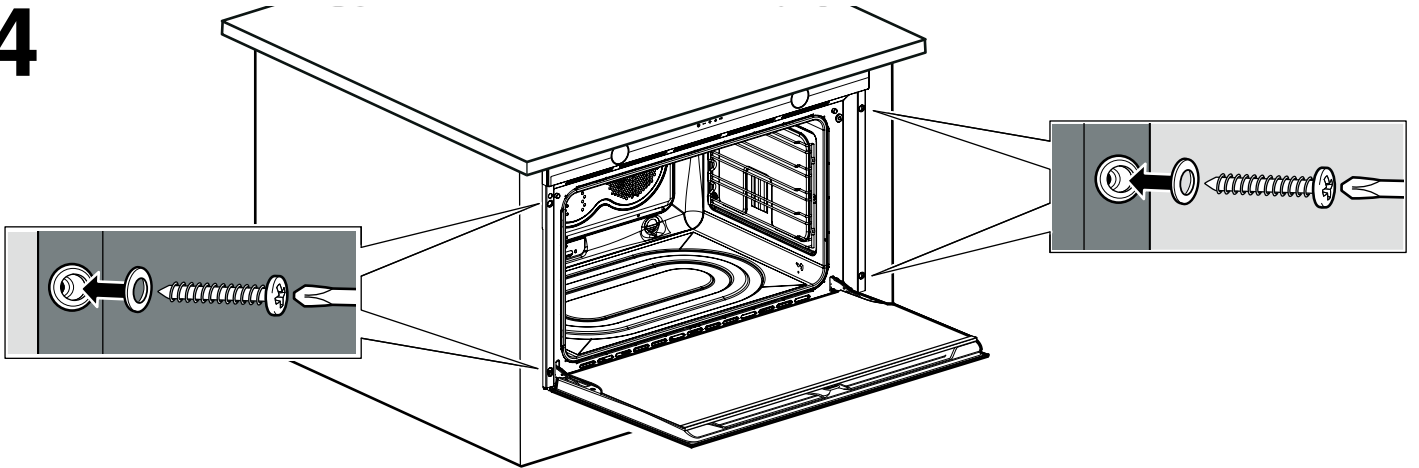
2



3



4



Preparing the units

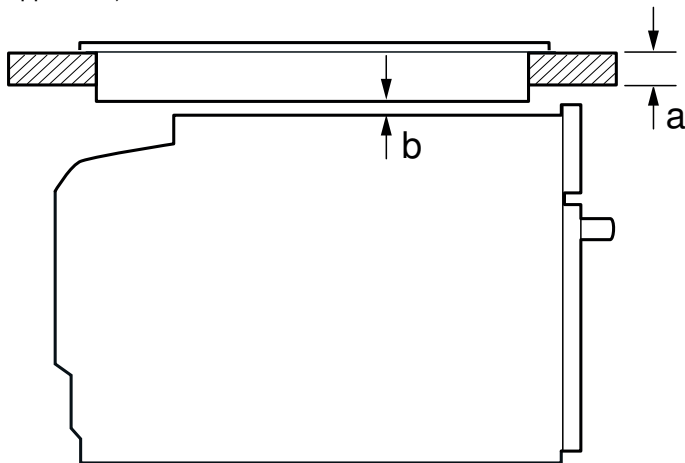
- The safe operation of this appliance can only be guaranteed if it has been installed to a professional standard in accordance with these installation instructions. The installer shall be liable for any damage resulting from incorrect installation.
- Check the appliance for damage after unpacking it. Do not connect the appliance if it has been damaged in transit.
- Proceed in accordance with the installation sheets for installing accessories.
- Before starting up the appliance, remove any packaging material and adhesive film from the cooking compartment and the door.
- Fitted units must be heat-resistant up to 90 °C, and adjacent unit fronts up to 70 °C.
- Do not install the appliance behind a decorative panel. There is a risk of overheating.
- Any cut-outs that need to be made in the units should be made before the appliance is installed. Remove any shavings, as they may prevent the electrical components from working properly.
- Wear protective gloves so that you do not cut yourself. Parts that are accessible during installation may have sharp edges.
- The mains socket for the appliance must be located outside of the area where the appliance is installed.
- The dimensions in the figures are in mm.

Appliance under worktop – fig. 1

To ventilate the appliance, the intermediate floor must have a ventilation cut-out.

Secure the worktop to the fitted units.

If the appliance is installed under a hob, the following minimum dimensions must be adhered to (including substructure, if applicable):



Hob type	a	a	b
	Surface-mounted	Flush-mounted	
Induction hob	49 mm	50 mm	5 mm
Full-surface induction hob	70 mm	70 mm	5 mm
Gas hob	39 mm	50 mm	5 mm
Electric hob	39 mm	42 mm	2 mm

The minimum worktop thickness **a** is based on the required minimum clearance **b**.

Proceed in accordance with the installation instructions for the hob.

Appliance in a tall unit – fig. 2

The appliance can also be installed in a tall unit.

There must be a gap between the intermediate floor and the mounting wall to ventilate the oven.

If the tall unit has another back panel in addition to the element back panels, this must be removed.

Do not fit the appliance too high up; it must be possible for accessories to be removed easily.

Connecting the appliance

Ensure that there is sufficient fuse protection for the household wiring. The voltage and frequency of the appliance must match the electrical wiring (see rating plate).

The appliance corresponds to protection class 1 and must only be operated with a protective earth connection.

The appliance must be disconnected from the power supply whenever installation work is being carried out.

The appliance must only be connected using the power cable provided.

When the appliance is installed, protection must be provided against accidental contact in the future.

Only a licensed professional may connect the appliance. They are subject to the requirements of the local electricity provider.

Power cable with a plug with earthing contact

The appliance must only be connected to an earthing contact socket which has been correctly installed.

If the plug can no longer be reached after the installation, a partition must be provided in the phases in the permanent electrical installation in accordance with the installation regulations.

Fitting the appliance

1. Slide the appliance all the way in and centre it.

Notes

- Do not kink the connection cable.
- If necessary, remove the cable guide with a tool. **(Fig. 3)**

2. Open the oven door fully.

3. Remove the protective caps. **(Fig. 3)**

4. Fix the appliance in place using 4 screws. **(Fig. 4)**

5. Fit the protective caps.

Removal

Disconnect the appliance from the power supply. Undo the securing screws. Raise the appliance slightly and pull it out completely.

准备橱柜

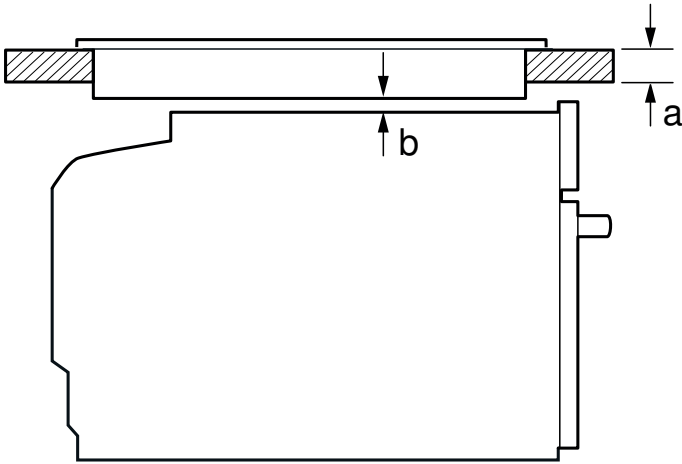
- 只有根据本安装说明的专业标准进行安装，才能确保本电器安全工作。安装者对由于不正确安装而造成的任何损坏负责。
- 拆包后请检查电器是否有损坏。如果电器在运输过程中损坏，请勿连接。
- 遵守附件安装说明。
- 在启动电器之前，请从烹饪箱中取走所有包装材料，撕掉门上的粘膜。
- 所安装的橱柜必须能够承受高达 90 °C 的温度，相邻橱柜的面板能够承受高达 70 °C 的温度。
- 切勿将电器安装在装饰板后面。有过热危险。
- 橱柜上的所有开孔应在安装电器前开好。清除刨花，否则会影响电气元件的正常工作。
- 戴上防护手套，以免割伤身体。在安装过程中碰得到的部件可能具有锋利的边缘。
- 电器电源必须位于电器安装区域以外。
- 图中的尺寸单位为毫米 (mm)。

工作台下的电器 - 图 1

为了便于电器通风，中间隔板必须设有通风口。

将工作台固定到所安装的橱柜上。

如果将电器安装到灶具下面，则必须遵循以下最小尺寸标准 (包括基座，如适用)：



灶具类型	a	a	b
	表面安装	平齐安装	
电磁灶	49 mm	50 mm	5 mm
全幅电磁灶	70 mm	70 mm	5 mm
燃气灶	39 mm	50 mm	5 mm
电灶	39 mm	42 mm	2 mm

最小工作台厚度 a 基于最小要求间距 b。

遵守灶具安装说明。

电器位于高柜中 - 图 2

电器还可以安装在高柜中。

中间底板和安装壁之间必须有间隙，以便为烤箱通风。

如果除了元件后面板之外，高柜上还有一个后面板，则必须将此面板拆卸下来。

不要将电器安装得太高；要方便取放附件。

连接电器

请确保家庭电线有足够的熔断保护。电器的电压和频率必须与电线相配 (参见铭牌)。

本电器属于 1 类防护，使用时必须配备保护性接地连接。

进行安装操作时，电器必须从电源断开。

只能使用所提供的电缆连接电器。

安装电器时，必须进行防护，避免日后意外接触。

只能由持有上岗证书的专业人员连接电器。应遵守当地电力部门的规定。

插头带接地触点的电源线

电器只能连接至安装正确的接地触点插座。

如果安装后无法接触到插头，必须在永久性电气安装中，根据安装规范，在电源相位中提供分区。

安装电器

1. 将电器推到底并使其居中。

提示

- 不要扭结连接电源线。

- 如有必要，用工具拆下电缆导轨。(图 3)

2. 完全打开烤箱门。

3. 取下保护盖。(图 3)

4. 使用 4 个螺丝将电器安装到位。(图 4)

5. 装上保护盖。

拆除

断开电器电源。拧开固定螺钉。稍微抬高电器并将其完全拉出。