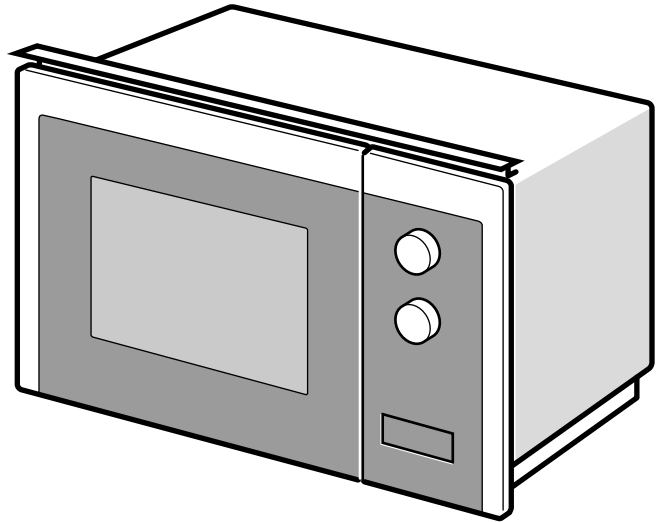
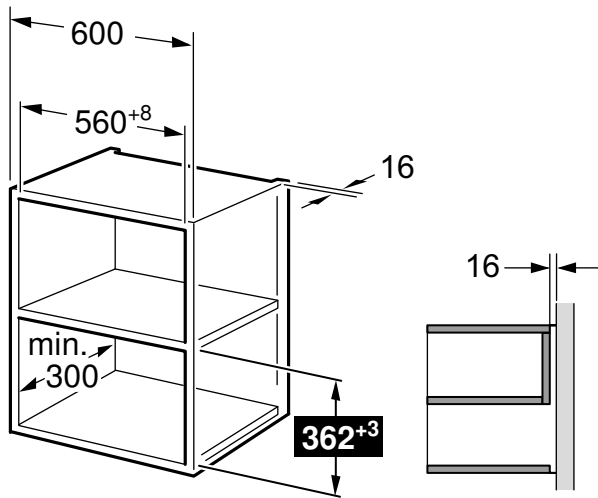
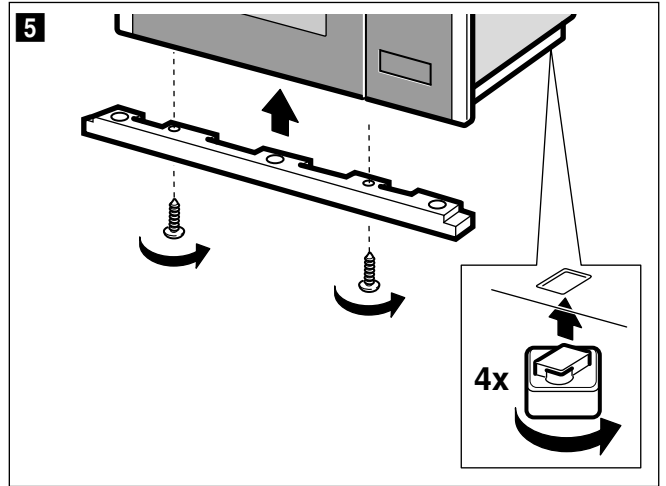
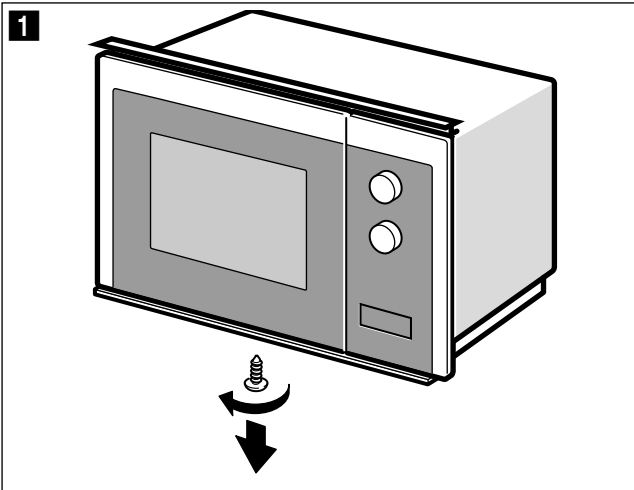
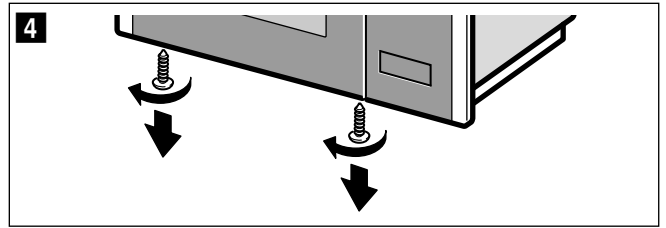
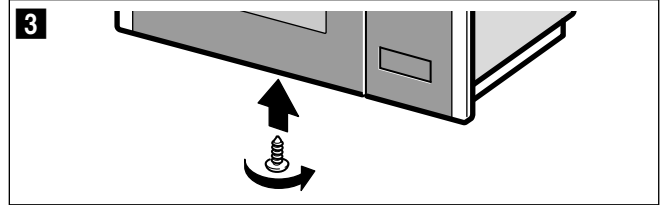
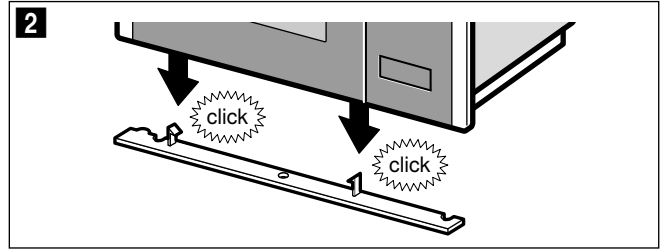
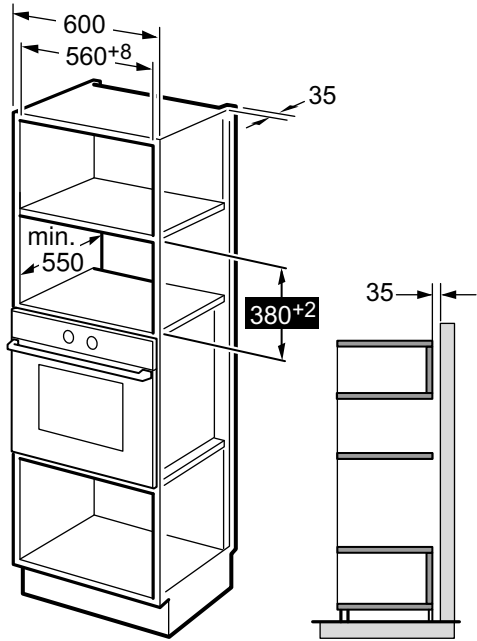


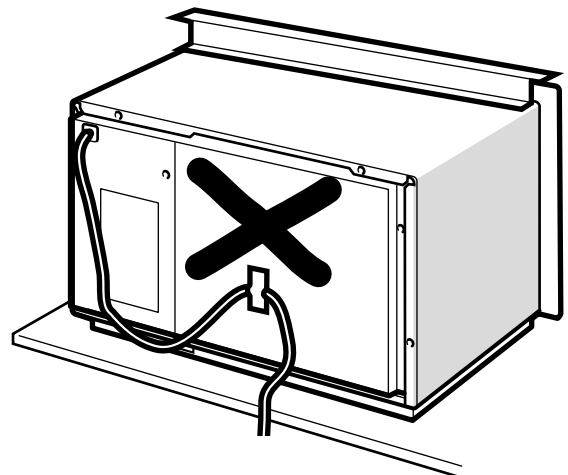
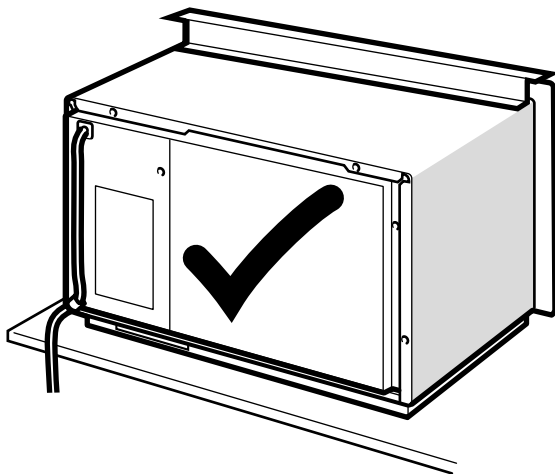
1a

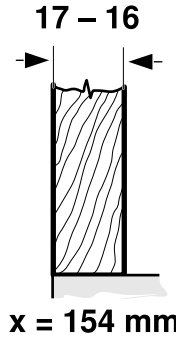
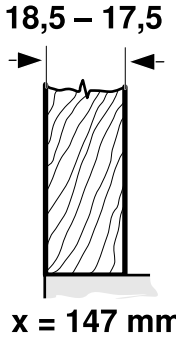
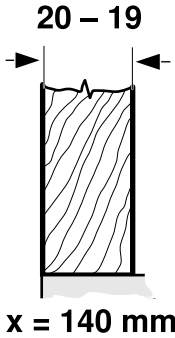
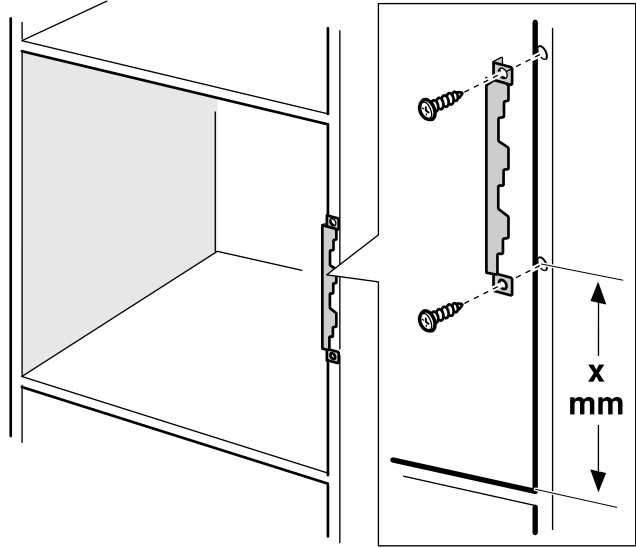
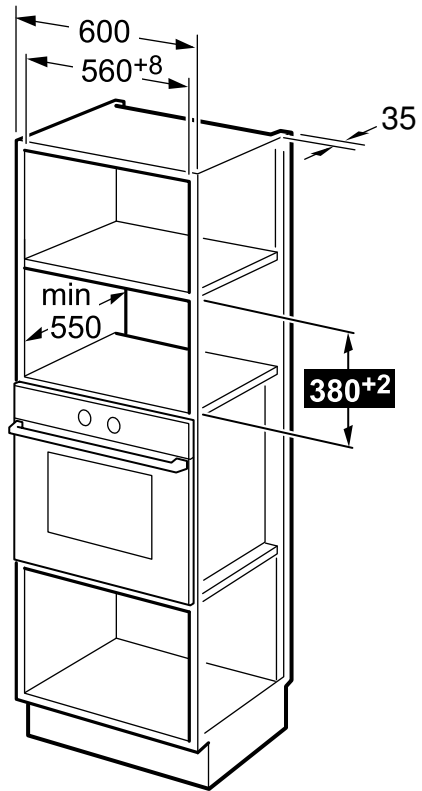
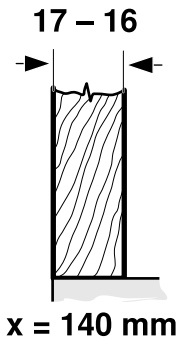
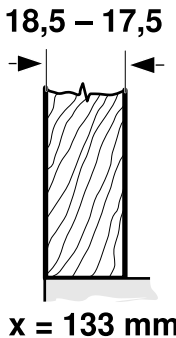
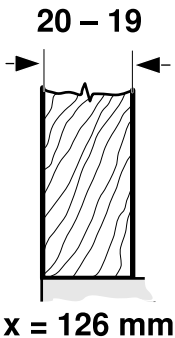
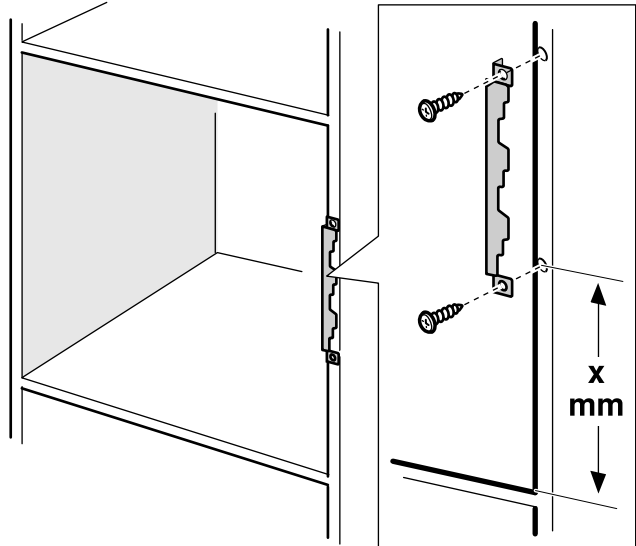
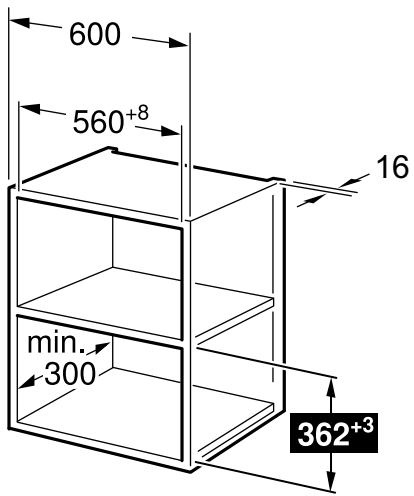


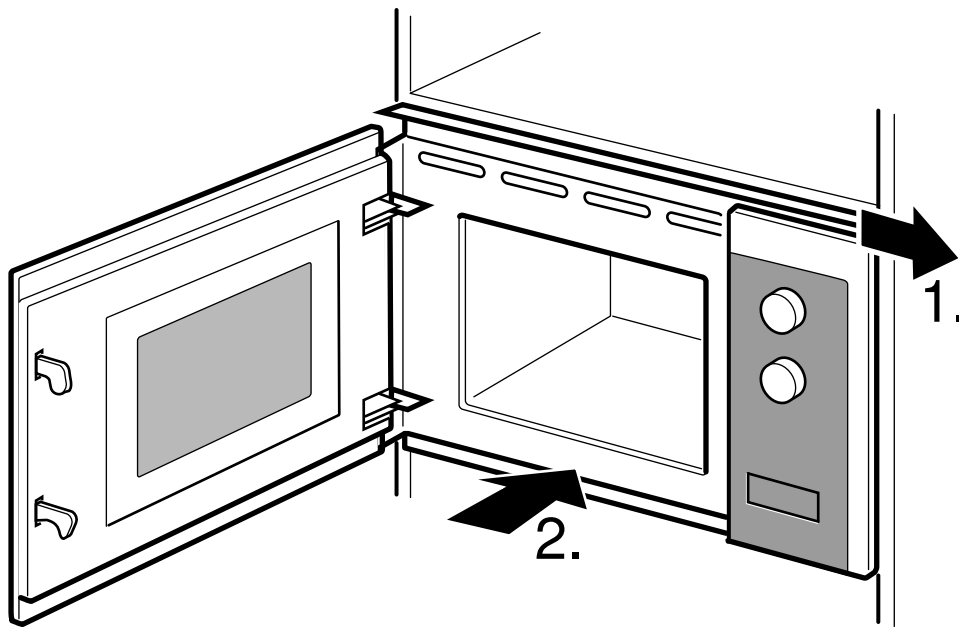
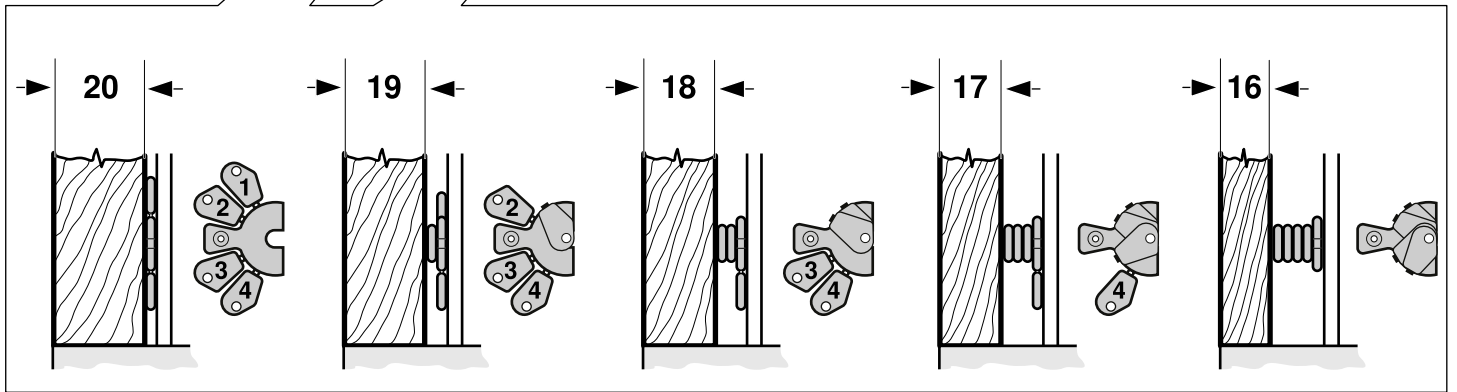
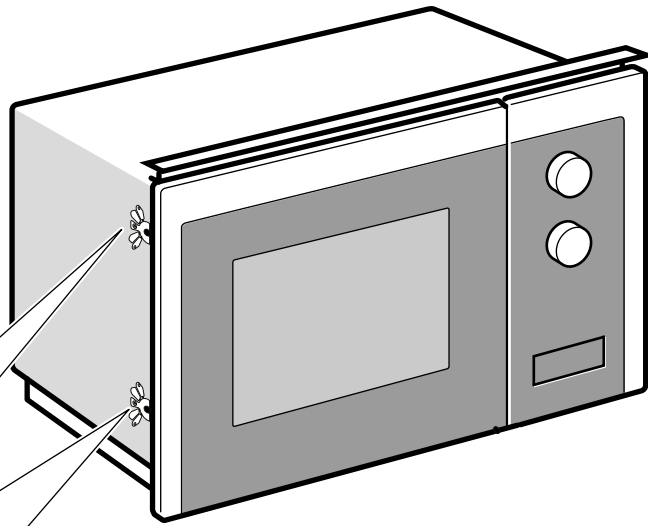
1b

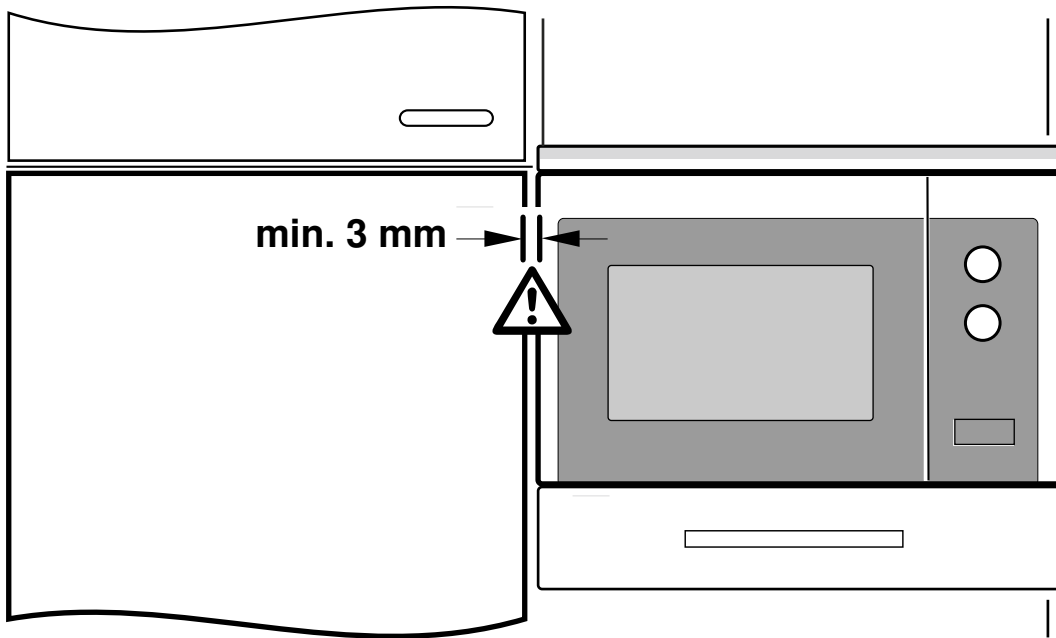
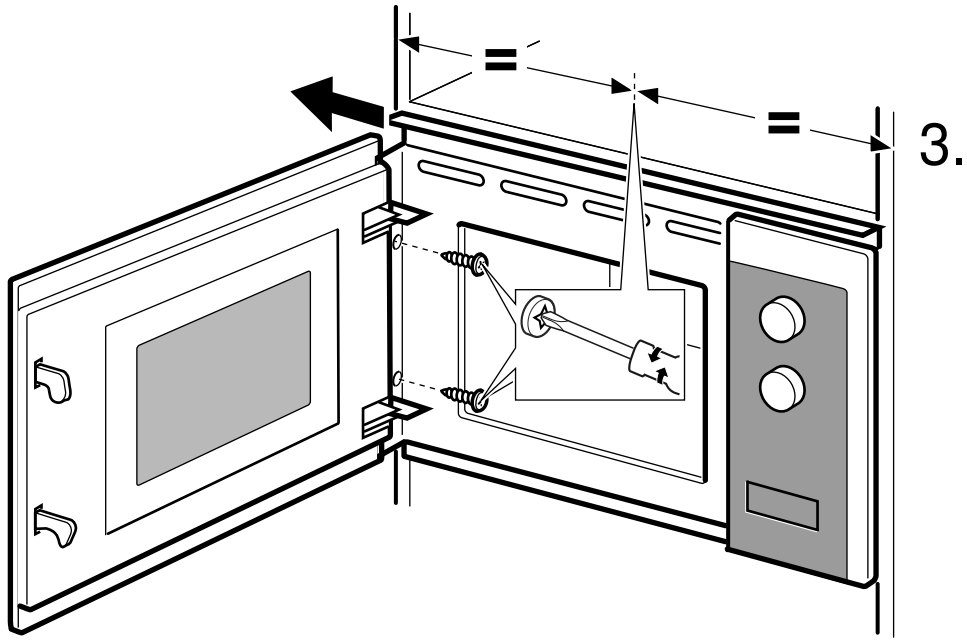


2









The following must be noted:

- The safe operation of this appliance can only be guaranteed if it has been installed to a professional standard in accordance with these installation instructions. The installer shall be liable for any damage resulting from incorrect installation.
- Check the appliance for damage after unpacking it. Do not connect the appliance if it has been damaged in transit.
- Proceed in accordance with the installation sheets for installing accessories.
- Before starting up the appliance, remove any packaging material and adhesive film from the cooking compartment and the door.
- Fitted units must be heat-resistant up to 90 °C, and adjacent unit fronts up to 65 °C.
- Do not install the appliance behind a decorative door or the door of a kitchen unit, as this may cause the appliance to overheat.
- Any cut-outs that need to be made in the units should be made before the appliance is installed. Remove any shavings, as they may prevent the electrical components from working properly.
- Wear protective gloves so that you do not cut yourself. Parts that are accessible during installation may have sharp edges.
- The dimensions in the figures are in mm.

Electrical connection

The appliance is ready to be plugged in and may only be connected to a protective contact socket that has been correctly installed. Only a qualified electrician may install a socket or replace the connecting cable, taking the appropriate regulations into account. If the plug is no longer accessible once the appliance has been installed, an all-pin isolating switch with a contact gap of at least 3 mm must be provided for the wiring. When the appliance is installed, protection must be provided against accidental contact in the future.

Fitted units

The installation cabinet must not have a back panel behind the appliance. Minimum installation height: 850 mm. Ventilation slots and intakes must not be covered.

Appliance in a wall-hanging unit - Fig. 1A

Appliance in a tall unit - Fig. 1B

Installing the oven - Fig. 2

Note: Do not trap or kink the mains lead.

必須注意下列事項:

- 只有依照安裝說明安裝並符合專業標準時，才可確保本電器安全運作。安裝人員需為因安裝不正確而產生的損壞負責。
- 打開包裝後，請檢查電器有否損壞。若電器在運送過程中受損，請勿連接電源。
- 請依照安裝文件進行配件的安裝。
- 啟動電器前，請先移除機身及機門的包裝材料和膠膜。
- 安裝本電器的櫥櫃必須耐熱達 90 °C，相鄰的櫥櫃必須耐熱達 65 °C。
- 請勿將機台安裝在飾門或 板式傢俱的後方。此安裝方式可能會導致過熱。
- 櫥櫃如需任何修整，都必須在安裝前完成。清除碎屑等施工殘料，否則可能會影響電器零件正常運作。
- 安裝時所接觸的零件可能有尖銳邊緣。請戴上防護手套避免割傷。
- 圖解的尺寸單位為毫米。

電源連接

此電器已配備插頭，而且只可以連接至妥善安裝的保護觸點插座。只有合資格的電器技術人員才可以安裝插座和更換連接線，而且必須遵守相關法規。若安裝電器後插頭位於無法觸及的地方，配線時必須使用接觸間隔至少3毫米的全針腳隔離開關。安裝電器後，必須採取保護措施，以避免將來意外地接觸電線。

安裝零件

安裝電器的廚櫃不得有背板。安裝高度至少850毫米。

不得遮蔽通風槽及通風口。

將電器安裝在吊櫃 - 圖1A

將電器安裝在高櫃 - 圖1B

安裝焗爐 - 圖2

提示: 切勿纏繞或扭曲主電源線。

必須注意下列事項:

- 本電器唯有在依照安裝說明安裝且符合專業標準時，方可確保操作安全。安裝人員需對因安裝不當所造成的損壞負責。
- 在開箱後請檢查電器是否有損壞。若電器在運送過程中已經受損，請勿連接電源。
- 請依照安裝說明進行配件的安裝。
- 啟動電器前，請先清除爐腔及機門的包裝材料和膠膜。
- 安裝本電器的櫥櫃耐熱度必須達到 90 °C，相鄰的櫥櫃耐熱度必須達到 65 °C。
- 請勿將電器安裝在裝飾門或櫥櫃門的後方，否則可能造成電器過熱。
- 櫥櫃如需任何施工修整，都必須在安裝電器前完成。清除碎屑等施工殘料，否則可能會影響電器元件正常運作。
- 安裝時所接觸的零件可能有尖銳邊緣。請戴上防護手套避免割傷。
- 圖解的尺寸單位為公釐。

電源連接

本電器有插頭且僅可連接至正確安裝之保護觸點插座。插座安裝與連接線更換僅可由合格技術人員進行，並必須遵守相關法規。若電器安裝後插頭位於無法觸及的位置，則在配線時必須使用觸點間隔至少3公釐之全針腳隔離開關。電器安裝後，必須針對未來可能發生意外接觸的情況加以預防。

安裝櫥櫃

安裝電器的櫥櫃不得有背板。安裝高度至少850公釐。

請勿遮蔽通風槽與通風口。

將電器安裝在吊櫃 - 圖1A

將電器安裝在高櫃 - 圖1B

安裝烤箱 - 圖2

提示: 切勿纏繞或扭曲主電源線。

