

Gaggenau

Instruction manual

Instrucciones de uso

Instruções de serviço

Οδηγίες χρήσεω

VG 231 .20

Gas wok

Wok Gas

Wok a gás

Κινέζικο τηγάνι (Wok) αερίου

| | |
|-----------------------------|-----------|
| Table of contents | 3 |
| Índice | 16 |
| Índice | 29 |
| Πίνακας περιεχομένων | 42 |

Table of contents

| | |
|---|-----------|
| Intended use | 4 |
| Important safety information | 5 |
| Causes of damage | 7 |
| Environmental protection | 7 |
| Saving energy | 7 |
| Environmentally-friendly disposal | 7 |
| Familiarising yourself with your appliance | 8 |
| Gas hob | 8 |
| Visual signals of the luminous disc | 8 |
| Special accessories | 8 |
| Individual parts of the wok burner | 9 |
| Operating the appliance | 9 |
| Switching on | 9 |
| Switching on manually | 10 |
| Thermoelectric flame monitoring | 10 |
| Switching off | 10 |
| Residual heat indicator | 10 |
| Table of settings and tips | 11 |
| Tips for cooking and roasting | 11 |
| Tips for using a wok | 11 |
| Information and tips regarding cookware | 12 |
| Suitable cooking vessels | 12 |
| Precautions for use | 12 |
| Cleaning and maintenance | 13 |
| Cleaning the appliance | 13 |
| Burnt-on dirt | 13 |
| Burner discolouration | 14 |
| Trouble shooting | 14 |
| After-sales service | 15 |
| E number and FD number | 15 |

Additional information on products, accessories, replacement parts and services can be found at www.gaggenau.com and in the online shop www.gaggenau.com/zz/store

Intended use

Read these instructions carefully. Only then will you be able to operate your appliance safely and correctly. Retain the instruction manual and installation instructions for future use or for subsequent owners.

This appliance is only intended to be fully fitted in a kitchen. Observe the special installation instructions.

This appliance must be installed according to the installation instructions included.

Check the appliance for damage after unpacking it. Do not connect the appliance if it has been damaged in transport.

Only allow a licensed professional to connect the appliance. Damage caused by incorrect connection is not covered under warranty. Call the after-sales service if you want to convert your appliance to a different type of gas.

This appliance is intended for domestic use and the household environment only. This appliance must only be used to prepare food and drinks and must never be used as a heater. Do not leave the appliance unattended during operation. Only use the appliance indoors.

Do not install this appliance on boats or in vehicles.

This appliance is intended for use up to a maximum height of 4000 metres above sea level.

This appliance is not intended for operation with an external clock timer or a remote control.

Do not use covers. These can cause accidents, for example due to overheating, catching fire or materials shattering.

Only use safety devices or child protection grilles approved by ourselves. Unsuitable safety devices or child protection grilles may result in accidents.

This appliance may be used by children over the age of 8 years old and by persons with reduced physical, sensory or mental capabilities or by persons with a lack of experience or knowledge if they are supervised or are instructed by a person responsible for their safety how to use the appliance safely and have understood the associated hazards.

Children must not play with, on, or around the appliance. Children must not clean the appliance or carry out general maintenance unless they are at least 15 years old and are being supervised.

Keep children below the age of 8 years old at a safe distance from the appliance and power cable.

Close the safety valve on the gas supply line if the cooker will not be used for a prolonged period.

⚠ Important safety information

⚠ Warning – WHAT TO DO IF YOU SMELL GAS!

Escaping gas may cause an explosion.

If you smell gas or notice any faults in the gas installation:

- Immediately shut off the gas supply or close the gas cylinder valve.
- Immediately extinguish all naked flames and cigarettes.
- Do not use any light or appliance switches and do not pull any plugs out of sockets. Do not use any telephones or mobile phones within the building.
- Open windows and ventilate the room.
- Call the after-sales service or the gas supplier.

⚠ Warning – Risk of asphyxiation!

The use of a gas cooker leads to a build-up of heat, moisture and products of combustion in the room where the appliance is installed.

Ensure that the installation room is well ventilated. The natural ventilation openings must be kept open or a mechanical ventilation device must be provided (e.g. an extractor hood). Intensive and persistent use of the appliance may mean that it is necessary to have additional ventilation (e.g. opening a window), or more effective ventilation (e.g. operating the existing mechanical ventilation device at a higher setting).

⚠ Warning – Risk of fire!

- Hot oil and fat can ignite very quickly. Never leave hot fat or oil unattended. Never use water to put out burning oil or fat. Switch off the hotplate. Extinguish flames carefully using a lid, fire blanket or something similar.
- The hotplates become very hot. Never place combustible items on the hob. Never place objects on the hob.

- The appliance becomes very hot and flammable materials could catch fire. Never store or use flammable objects (e.g. spray cans, cleaning agents) under the appliance or in its immediate vicinity. Never place flammable items on or in the appliance.
- The appliance becomes very hot, fabrics and other objects may ignite. Keep fabrics (e.g. garments, curtains) away from the flames. Never reach over the flames. Do not place flammable objects (e.g. tea towel, newspapers) on, next to or behind the appliance.
- When gas hotplates are in operation without any cookware placed on them, they can build up a lot of heat. The appliance and the extractor hood above it may become damaged or be set on fire. Grease residue in the filter of the extractor hood may ignite. Only operate the gas burners with cookware on them.
- If the burner does not ignite after 15 seconds, switch off the control knob and open the door or window in the room. Wait at least 1 minute before igniting the burner again.

⚠ Warning – Risk of burns!

- The appliance becomes hot during operation. Allow the appliance to cool down before cleaning.
- The hotplates and surrounding area (particularly the hob surround, if fitted) become very hot. Never touch the hot surfaces. Keep children at a safe distance.
- The accessible parts become very hot when in operation. Never touch hot parts. Keep children at a safe distance.

- When the appliance cover is closed, this leads to a build-up of heat. Only operate or switch on the appliance when the appliance cover is open. Do not use the appliance cover for keeping warm or setting down. Only close the appliance cover once the appliance has cooled down.

Caution!

Damage to the appliance

Remove spilled liquids before opening the appliance cover.

- Empty cookware becomes extremely hot when set on a gas hotplate that is in operation. Never heat up empty cookware.
- If the liquefied gas bottle is not upright, liquefied propane/butane can enter the appliance. Intense darting flames may therefore escape from the burners. Components may become damaged and start to leak over time so that gas escapes uncontrollably. Both can cause burns. Always use liquefied gas bottles in an upright position.

⚠ Warning – Risk of injury!

- Incorrect repairs are dangerous. Repairs may only be carried out, and damaged power and gas lines replaced, by an after-sales engineer trained by us. If the appliance is faulty, unplug the mains plug or switch off the fuse in the fuse box. Shut off the gas supply. Contact the after-sales service.
- Faults or damage to the appliance are dangerous. Never switch on a faulty appliance. Unplug the appliance from the mains or switch off the circuit breaker in the fuse box. Shut off the gas supply. Contact the after-sales service.
- Unsuitable pan sizes, damaged or incorrectly positioned pans can cause serious injury. Observe the instructions which accompany the cookware.

⚠ Warning – Risk of electric shock and serious injury!

- The cable insulation on electrical appliances may melt when touching hot parts of the appliance. Never bring electrical appliance cables into contact with hot parts of the appliance.
- Do not use any high-pressure cleaners or steam cleaners, which can result in an electric shock.
- A defective appliance may cause electric shock. Never switch on a defective appliance. Unplug the appliance from the mains or switch off the circuit breaker in the fuse box. Contact the after-sales service.
- Incorrect repairs are dangerous. Repairs may only be carried out by one of our trained after-sales engineers. If the appliance is faulty, unplug the mains plug or switch off the fuse in the fuse box. Contact the after-sales service.

Causes of damage

Caution!

- **Risk of heat damage to adjacent appliances or kitchen units:** If the appliance is in operation for an extended period, heat and moisture will be generated. Additional ventilation is required. Open the window or switch on an extractor hood that discharges the extracted air and moisture outside the building.
- **Risk of damage to the appliance due to the build-up of heat:** Do not heat roasters, frying pans or grill stones using more than one burner at a time.
- **Malfunction:** Always turn the control knob to the "Off" position when the appliance is not being used.

Environmental protection

The sections below list a number of energy-saving tips and provide information on disposing of your appliance.

Saving energy

- Choose a burner of roughly the same size as your pan. Place the cookware in the middle.
- Use small saucepans for small quantities. Using a large saucepan with little in it consumes a lot of energy.
- Always place suitable lids on saucepans. Cooking without a lid consumes significantly more energy. Use a glass lid so that you can see into the pan without having to lift the lid.
- Cook with only a little water. This will save energy and preserve the vitamins and minerals in vegetables.
- Switch to a lower heat setting in good time. This will save energy.

Environmentally-friendly disposal

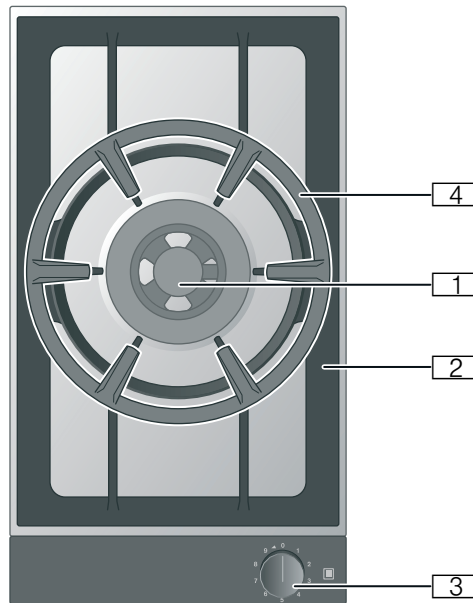
Dispose of packaging in an environmentally-friendly manner.



This appliance is labelled in accordance with European Directive 2012/19/EU concerning used electrical and electronic appliances (waste electrical and electronic equipment - WEEE). The guideline determines the framework for the return and recycling of used appliances as applicable throughout the EU.

Familiarising yourself with your appliance

Gas hob



- 1 Wok burner 6.0/5.8 kW
- 2 Pan support
- 3 Control knob:
 - 0 = Burner switched off
 - Power level 1 = Lowest setting
 - Power level 9 = Highest setting
 - ◀ Direction of rotation to switch on
- 4 Wok ring

Special accessories

You can order the following special accessories from your specialist dealer:

WP 400 001 Wok made from multi-layer material. Features a domed bottom and handle, dia.: 36 cm, capacity: 6 litres, height: 10 cm.

Only use the accessories as specified. The manufacturer accepts no liability if these accessories are used incorrectly.

Note: If you are using the appliance cover (VD 200), once the appliance has cooled down, you must turn the wok burner pan support over before closing the appliance cover.

Visual signals of the luminous disc

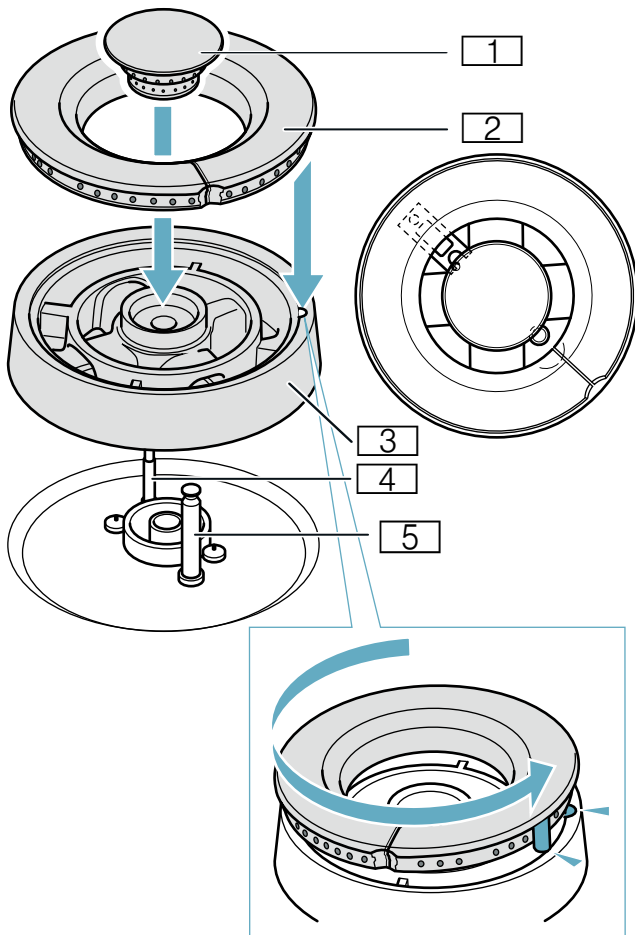
The control knob is encircled by an illuminated ring that indicates a number of statuses and functions.

| Indicator/symbol | Meaning |
|------------------------|--|
| ○ Off | Appliance OFF |
| ● Lit orange | Appliance ON |
| ● Slow flashing orange | Appliance OFF Residual heat indicator |
| ☀ Flashing orange | Appliance fault Call the after-sales service. |

Individual parts of the wok burner

Ensure that the individual parts of the wok burner are fitted in the correct position and are straight; otherwise, this may result in ignition problems or problems during operation. Fit the burner head such that the thermocouple is positioned in the corresponding recess on the burner head. The lug on the burner ring must engage in the corresponding recess on the burner head.

Note: If the burner parts are fitted at an angle, the appliance will not work.



- 1 Burner cap
- 2 Burner ring
- 3 Burner head
- 4 Thermocouple
- 5 Ignition plug

Operating the appliance

Notes

- Only use the accessories specified. Do not line the stainless steel recess (e.g. with aluminium foil).
- Do not cover the ventilation openings on the back of the control panel.
- The burner and ignition plug must be clean and dry.
- Only light the burners if the pan supports and all burner parts are correctly fitted.
- To ignite a burner, firmly press the control knob down as far as possible and hold it there, then turn it to the required position.
- Once ignited, press and hold the control knob for approx. 2 to 4 seconds to enable the heat sensor that opens the gas flow to heat up first.
- If the flame does not ignite within 2 to 4 seconds, turn the control knob anti-clockwise to the lowest setting and, once ignited, turn it back to the highest setting. It can often be quicker to ignite the burner in the lowest setting because different gases have different ignition characteristics.
- When one burner is ignited, an ignition spark will also be generated at all the other burners.
- Do not touch the ignition plug while the gas appliance is being lit.
- It is important to keep the appliance clean. If the ignition plugs are dirty, this may cause ignition problems. Clean the ignition plugs regularly with a small, non-metallic brush. Take care to prevent the ignition plugs from suffering any heavy knocks.

Switching on

This appliance is equipped with a step valve. The markings on the control knob show you the output from power levels from 1 to 9.

Your gas hob comes with ignition plugs for electrical ignition.

- 1 Place a suitable item of cookware on the pan support.
- 2 Push in the control knob for your chosen burner and turn it anticlockwise to the power level you require.
The burner ignites automatically.

Turn the control knob to set the power level.

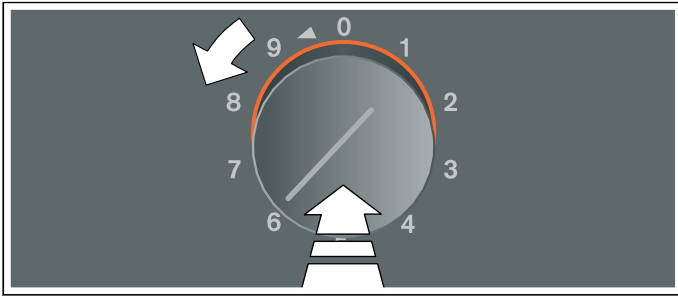
Caution!

Damage to the appliance

Never try to turn the control knob directly from position 0 to position 1, or from position 1 directly to position 0. Doing this will damage the step valve.

⚠ Warning – Risk of deflagration!

If the burner does not ignite after 15 seconds, switch off the control knob and open the door or window in the room. Wait at least 1 minute before igniting the burner again.



Residual heat indicator

After switching off the appliance, the illuminated ring on the control knob slowly flashes orange until the appliance has cooled enough for it to be safe to touch. Do not touch the appliance while the residual heat indicator is flashing.

Switching on manually

During a power cut you can ignite the burners manually.

- 1 Place a suitable pot or pan on the pot grid.
- 2 Press the corresponding control knob and turn it anticlockwise to the required setting. Keep the control knob pressed.
- 3 Use a gas lighter or a match to ignite the burner. Keep the control knob pressed for a few seconds after ignition.

Note: The indicator on the illuminated ring remains off.

Thermoelectric flame monitoring

For your safety, the hob is fitted with thermoelectric flame monitoring. This prevents the flow of gas if the burner accidentally goes out while it is in use (e.g. due to draughts).

If the burner accidentally goes out while it is in use, turn the control knob to the 0 position and wait at least one minute before you ignite the burner again.

Switching off

Turn the control knob clockwise to position 0.

⚠ Warning – Risk of burns!

When the appliance cover is closed, this leads to a build-up of heat. Only operate or switch on the appliance when the appliance cover is open. Do not use the appliance cover for keeping warm or setting down. Only close the appliance cover once the appliance has cooled down.

Caution!

Damage to the appliance

Remove spilled liquids before opening the appliance cover.

Table of settings and tips

| Power level | Cooking method | Examples |
|-------------|-------------------------------|------------------------------------|
| 9 | Heating | Water, clear soups |
| | Blanching | Vegetables |
| | Deep-frying | Chips, pastries |
| 7 - 9 | Searing | Meat |
| | Frying at high temperatures | Meat, potatoes |
| 6 - 8 | Simmering with the lid open | Liquids, dough-based foods |
| 5 - 7 | Baking | Flour-based food |
| | Frying at medium temperatures | Poultry, fish |
| 4 - 5 | Frying at low temperatures | Fried sausages, onions, egg dishes |
| | Defrosting | Frozen food |
| 4 | Poaching with the lid open | Dumplings, boiled sausages |
| | Warming | Vegetables, soups, stews |
| 3 - 4 | Braising | Beef olives, joints |
| | Stewing | Vegetables |
| 2 - 4 | Simmering with the lid on | Soups, vegetables |
| 1 | Soaking | Rice, rice pudding, cereals |

Tips for cooking and roasting

The values given in the settings table must be looked upon as recommended values. The heat required depends not only on the type and condition of the food, but also the size and contents of the pot.

Due to the high performance of the cooktop, fat and oil will heat up quickly. Never leave the cooktop unattended, fat can ignite, food can burn.

Tips for using a wok

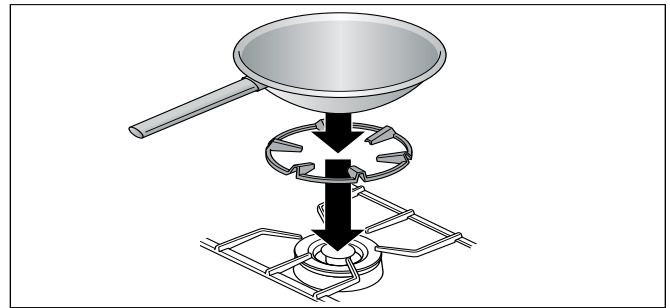
Note: When you cook using a wok, place the wok ring onto the pan support over the wok burner. Make sure that the wok is stable on the wok ring when you are cooking.

We recommend using woks with a domed base. You can order a high-quality wok as an optional accessory (WP 400 001).

When cooking with the wok, use only cooking oil that is suitable for heating to high temperatures, such as groundnut oil.

Cook the ingredients at a high heat, while stirring constantly. Do not cook them for too long. The vegetables should be al dente.

For stirring the food and for taking it out of the pan, it is best to use a shallow ladle with a long handle made from a heat-resistant material.



⚠ Warning – Risk of injury!

The standard-output burner is not suitable for use with the wok ring and a wok. The wok pan is not stable and may overturn. Never place the wok ring on the standard-output burner.

Information and tips regarding cookware

The following information and tips have been provided to help you save energy and avoid damaging your cookware.

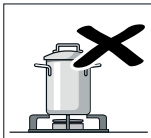
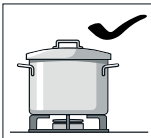
Suitable cooking vessels

| Burner | Recommended pan base diameter | Minimum pan base diameter |
|------------|-----------------------------------|---------------------------|
| Wok burner | 240 - 300 mm | 160 mm |
| | Use the wok only on the wok ring. | |

Pans with a diameter of less than 160 mm or more than 300 mm should not be used.

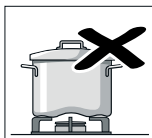
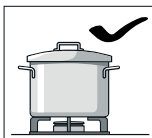
Maintain a distance of at least 50 mm between the item of cookware and flammable objects. Maintain a distance of at least 50 mm between the control knob or control panel and the pot or pan. The cookware must not touch the control panel or the control knob. The cookware must not protrude over the edge of the hob.

Precautions for use



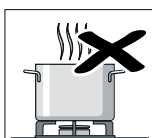
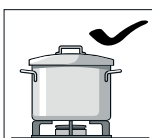
Use pots or pans which are the right size for each burner.

Do not use small pots or pans on large burners. The flame should not touch the sides of the pot.

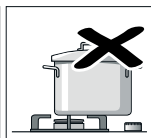
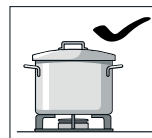


Do not use damaged pots or pans, which do not sit evenly on the cooktop, they may tip over.

Only use pots or pans with a thick, flat base.

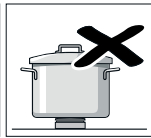
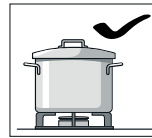


Do not cook without using a lid and make sure the lid is properly fitted. This wastes energy.



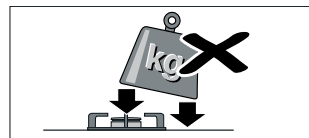
Always centre the pot or pan over the burner, otherwise it could tip over.

Do not place large pots on the burners near the control knobs. These may get damaged by the high temperatures.



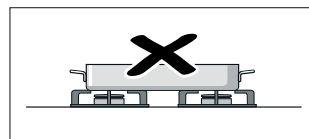
Place the pots or pans on the pan support, never directly on the burner.

Make sure that the pan supports and burner caps are correctly positioned before using the appliance.



Pots or pans should be placed on the cooktop carefully.

Do not strike the cooktop and do not place excessive weight on it.



Do not heat a cooking vessel (e.g. roaster, pan, grill stone) on more than one burner at the same time. The resulting heat accumulation will damage the appliance.

Cleaning and maintenance

⚠ Warning – Risk of electric shock!

Do not use any high-pressure cleaners or steam cleaners, which can result in an electric shock.

⚠ Warning – Risk of burns!

The accessible parts become very hot when in operation. Never touch hot parts. Keep children at a safe distance.

Caution! Risk of surface damage

Do not use these cleaners

- harsh or abrasive cleaning agents
- oven cleaners
- corrosive or aggressive cleaners, or those containing chlorine
- cleaning agents with a high alcohol content
- hard and scratchy sponges, brushes or scouring pads

If such an agent comes into contact with the appliance, wash it off immediately with water.

Thoroughly wash out new sponge cloths before using them!

Cleaning the appliance

Clean the appliance after each use once it has cooled down. Remove liquids that have boiled over or spilled immediately and do not allow any food remains to burn on.

Dry the burners thoroughly after cleaning. Only operate the appliance when the burners are dry. Damp burners can cause ignition problems and/or an unstable flame.

During assembly, make sure that the burner parts (catch tappets) are in the correct position. All parts must be straight.

| Appliance part/ surface | Recommended cleaning |
|----------------------------|--|
| Stainless steel surfaces | Use soapy water and dry with a soft cloth. Use a minimal amount of water when cleaning to prevent water from penetrating the appliance. Soak burnt-on remains with a small amount of soapy water; do not scour. Remove heavy soiling or yellow discoloration caused by heat using our stainless steel cleaner (item no. 00311499). |
| Pan supports, wok ring | Carefully remove for cleaning. Soak in the sink. Clean using a scrubbing brush and washing-up liquid. Clean the area around the rubber buffers carefully so that they do not become detached. Rinse with clean water and dry before putting them back. You can also clean the pan supports in the dishwasher. This may cause the pan support to become lighter in colour. This does not affect its usability. |
| Burner parts | Use soapy water and dry with a soft cloth. Make sure that the openings are not blocked. Make sure that no small parts are lost. Do not clean in the dishwasher. |
| Control panel | The soapy cloth must not be too wet. Dry with a soft cloth. |
| Control knobs | The soapy cloth must not be too wet. Dry with a soft cloth. Caution! Damage to the appliance Do not detach the control knobs to clean them. |

Burnt-on dirt

For hard-to-remove, burnt-on dirt, you can order a cleaning gel from our online shop, from your specialist retailer or via our after-sales service (item number 00311859). It is suitable for pan supports and the stainless steel recess. If necessary, let the dirt soak overnight. Follow the instructions on the cleaning product.

Caution! Damage to the surface

Do not use the cleaning gel on the burner parts, the control panel or the control knobs.

Burner discolouration

After extended use, the brass burner parts take on a darker colour as a result of the oxidation process that occurs naturally. The discolouration does not affect their serviceability.

Trouble shooting

Warning – Risk of electric shock!

Incorrect repairs are dangerous. Repairs may only be carried out by one of our trained after-sales engineers. If the appliance is faulty, unplug the mains plug or switch off the fuse in the fuse box. Contact the after-sales service.

Faults often have simple explanations. Please read the information in the table before calling the after-sales service.

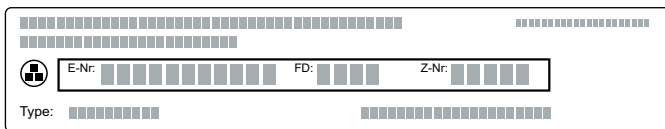
| Fault | Possible cause | Solution |
|--|---|---|
| Malfunction of the general electrical system. | The household fuse has tripped. | Check the fuse box if the fuse has tripped. |
| The electric ignition does not work. | There may be food or cleaning products stuck between the ignition sparkers and the burners. | The space between the ignition sparker and the burner must be clean. |
| | The burners are wet. | Dry the burner caps carefully. |
| | The burner caps are not correctly positioned. | Check that the burner caps are correctly positioned. |
| The burner flame is not uniform. | Power cut | Ignite the burner with a lighter or a match. |
| | The burner components are not correctly positioned. | Ensure the components are correctly positioned. |
| The gas flow is not normal or there is no gas. | The grooves on the burner are dirty. | Clean the grooves on the burner. |
| | The gas supply is blocked via gas taps. | Open all gas taps. |
| The kitchen smells of gas. | If the gas is supplied from a gas cylinder, check that this is not empty. | Change the gas cylinder. |
| | There may be a leak in the gas cylinder coupling. | Check that the coupling is sound. |
| The burner goes off after ignition. | The control knob was not held down for long enough. | Once the burner is on, hold the control knob down a few seconds longer. Fully press control knob. |
| | The grooves on the burner are dirty. | Clean the grooves on the burner. |

After-sales service

Our after-sales service is there for you if your appliance needs to be repaired. We will always find an appropriate solution, also in order to avoid after-sales personnel having to make unnecessary visits.

E number and FD number

When calling us, please quote the full product number (E no.) and the production number (FD no.) so that we can provide you with the correct advice. The rating plate that features these numbers can be found on the underside of the appliance.



To save time, you can make a note of the numbers for your appliance and the telephone number of the after-sales service in the space below in case you need them.

E no.

FD no.

After-sales service ☎

Please note that a visit from an after-sales service engineer is not free of charge in the event that the appliance has been misused, even during the warranty period.

Please find the contact data of all countries in the enclosed customer service list.

To book an engineer visit and product advice

GB 0344 892 8988

Calls charged at local or mobile rate.

IE 01450 2655

0.03 € per minute at peak.

Off peak 0.0088 € per minute.

AU 1300 368 339

NZ 09 477 0492

Trust the expertise of the manufacturer, and rest assured that the repair will be carried out by trained service technicians using original spare parts for your domestic appliance.

Índice

| | |
|--|-----------|
| Uso conforme a lo prescrito | 17 |
| Indicaciones de seguridad importantes | 18 |
| Causas de daños | 20 |
| Protección del medio ambiente | 20 |
| Ahorro de energía | 20 |
| Eliminación de residuos respetuosa con el medio ambiente | 20 |
| Presentación del aparato | 21 |
| Placa de cocción de gas | 21 |
| Indicación en el anillo luminoso | 21 |
| Accesorios especiales | 21 |
| Componentes del quemador wok | 22 |
| Manejar el aparato | 22 |
| Conectar | 22 |
| Encendido manual | 23 |
| Control termoelectrónico de la llama | 23 |
| Apagar | 23 |
| Indicador de calor residual | 23 |
| Tabla de ajustes y consejos | 24 |
| Consejos para cocinar y asar | 24 |
| Consejos para el wok | 24 |
| Consejos para el uso de recipientes | 25 |
| Recipientes de cocción apropiados | 25 |
| Indicaciones de uso | 25 |
| Cuidados y limpieza | 26 |
| Limpiar el aparato | 26 |
| Suciedad quemada | 26 |
| Decoloración de los quemadores | 27 |
| ¿Qué hacer en caso de avería? | 27 |
| Servicio de Asistencia Técnica | 28 |
| Número de producto (E) y número de fabricación (FD) | 28 |

Encontrará más información sobre productos, accesorios, piezas de repuesto y servicios en internet: www.gaggenau.com y también en la tienda online: www.gaggenau.com/zz/store

⚠ Uso conforme a lo prescrito

Leer con atención las siguientes instrucciones. Solo así se puede manejar el aparato de forma correcta y segura. Conservar las instrucciones de uso y montaje para utilizarlas más adelante o para posibles futuros compradores.

Este aparato ha sido diseñado exclusivamente para su montaje integrado. Prestar atención a las instrucciones de montaje especiales.

Este aparato tiene que ser instalado según las instrucciones de montaje incluidas.

Comprobar el aparato al sacarlo de su embalaje. El aparato no debe conectarse en caso de haber sufrido daños durante el transporte.

La conexión del aparato debe realizarse exclusivamente por un técnico especialista autorizado. Los daños provocados por una conexión incorrecta no están cubiertos por la garantía. Para cambiar a otro tipo de gas, avisar al Servicio Técnico.

Este aparato ha sido diseñado para uso doméstico. Utilizar el aparato únicamente para preparar alimentos y bebidas, nunca como calefactor. Vigilarlo mientras está funcionando. Utilizarlo exclusivamente en espacios interiores.

No montar este aparato en barcos o vehículos.

Este aparato está previsto para ser utilizado a una altura máxima de 4.000 metros sobre el nivel del mar.

Este aparato no está previsto para el funcionamiento con un reloj temporizador externo o un mando a distancia.

No utilizar ninguna cubierta para la placa de cocción. Pueden provocar accidentes, p. ej., debido al sobrecalentamiento, ignición o desprendimiento de fragmentos de materiales.

Utilizar únicamente dispositivos de protección o protecciones para niños autorizados por nosotros. Los dispositivos de protección o las protecciones para niños inapropiados pueden provocar accidentes.

Este aparato puede ser utilizado por niños a partir de 8 años y por personas con limitaciones físicas, sensoriales o psíquicas, o que carezcan de experiencia y conocimientos, siempre y cuando sea bajo la supervisión de una persona responsable de su seguridad o que le haya instruido en el uso correcto del aparato siendo consciente de los daños que se pudieran ocasionar.

No dejar que los niños jueguen con el aparato. La limpieza y el mantenimiento rutinario no deben encomendarse a los niños a menos que sean mayores de 15 años y lo hagan bajo supervisión.

Mantener a los niños menores de 8 años alejados del aparato y del cable de conexión.

Cerrar la válvula de seguridad situada en el conducto de alimentación de gas cuando no se vaya a utilizar el aparato durante un tiempo prolongado.

⚠ Indicaciones de seguridad importantes

⚠ Advertencia – ¡COMPORTAMIENTO EN CASO PERCIBIR OLOR A GAS!

Un escape de gas puede provocar una explosión.

Si se detecta olor a gas o una avería en la instalación de gas:

- Cortar inmediatamente la alimentación de gas o cerrar la válvula de la bombona de gas.
- Apagar inmediatamente los fuegos abiertos y cigarrillos.
- No volver a accionar el interruptor de la luz o del aparato, no desenchufar ningún aparato. No usar el teléfono fijo o el móvil en la casa.
- Abrir la ventana y ventilar a fondo la habitación.
- Llamar al Servicio de Asistencia Técnica o a la compañía de abastecimiento de gas.

⚠ Advertencia – ¡Peligro de asfixia!

El uso de una cocina de gas da lugar a la formación de calor, humedad y productos de combustión en la habitación donde se encuentre instalada. Asegurar una buena ventilación en la habitación. Es preciso mantener siempre abiertas las aberturas naturales de ventilación o instalar un dispositivo mecánico de ventilación (p. ej. una campana extractora). Un uso intenso y prolongado del aparato puede hacer necesaria una ventilación adicional (p. ej. abrir una ventana) o una ventilación más efectiva (p. ej. funcionamiento del dispositivo mecánico de ventilación a un nivel de potencia superior).

⚠ Advertencia – ¡Peligro de incendio!

- El aceite caliente y la grasa se inflaman con facilidad. Estar siempre pendiente del aceite caliente y de la grasa. No apagar nunca con agua un fuego. Apagar la zona de cocción. Sofocar con cuidado las llamas con una tapa, una tapa extintora u otro medio similar.
- Las zonas de cocción se calientan mucho. No colocar objetos inflamables sobre la placa de cocción. No almacenar objetos sobre la placa de cocción.
- El aparato se calienta mucho, los materiales inflamables se pueden incendiar. No almacenar ni usar objetos inflamables (p. ej. aerosoles o productos de limpieza) debajo o demasiado cerca del aparato. No colocar objetos inflamables sobre el aparato o dentro de él.
- Cuando el aparato se calienta mucho, las prendas textiles y otros objetos cercanos pueden incendiarse. Mantener los textiles (p. ej. prendas de vestir o cortinas) alejados de las llamas. No tocar nunca las llamas. No guardar objetos inflamables (p. ej. un paño de cocina o una revista) debajo o detrás del aparato.
- Los fogones de gas, en los que no se haya colocado ningún recipiente para cocinar encima, generan gran cantidad de calor durante su funcionamiento. El aparato y la campana extractora, en caso de haberla, pueden quedar dañados o incendiarse. Los restos de grasa en el filtro de la campana extractora pueden inflamarse. Utilizar los fogones de gas únicamente colocando encima recipientes para cocinar.
- Si transcurridos 15 segundos la llama no se enciende, desactivar el mando de control y abrir la puerta o ventana de la estancia. Esperar al menos un minuto antes de intentar encender el quemador de nuevo.

⚠ Advertencia – ¡Peligro de quemaduras!

- El aparato se calienta durante el funcionamiento. Antes de proceder a la limpieza del aparato, dejar que se enfríe.
- Las zonas de cocción y adyacentes, en especial el marco de la placa de cocción (si lo hay), se calientan mucho. No tocar nunca las superficies calientes. No dejar que los niños se acerquen.
- Las partes accesibles se calientan durante el funcionamiento. No tocar nunca las partes calientes. No dejar que los niños se acerquen.
- Al tener la tapa del aparato cerrada se produce una acumulación de calor. Conectar o encender el aparato sólo con la tapa abierta. No deberá usarse para conservar alimentos calientes o colocar cosas encima. No cerrar la tapa del aparato hasta que este se haya enfriado.

¡Atención!**Daños en el aparato**

Líquidos derramados antes de abrir la tapa del aparato.

- Los recipientes para cocinar vacíos colocados sobre fogones de gas encendidos, se calentarán en exceso. No calentar nunca recipientes para cocinar vacíos.
- Si la botella de gas líquido no está en posición vertical, el propano/butano líquido puede llegar al interior del aparato, por lo que puede causar llamas vivas en los quemadores. Con el tiempo, los componentes pueden dañarse y perder estanqueidad, de modo que puede escaparse gas. Ambos casos pueden producir quemaduras. Utilizar botellas de gas líquido siempre en posición vertical.

⚠ Advertencia – ¡Peligro de lesiones!

- Las reparaciones inadecuadas son peligrosas. Las reparaciones y la sustitución de cables eléctricos y conductos de gas defectuosos solo pueden ser efectuadas por personal del Servicio Técnico debidamente instruido. Si el aparato está averiado, desenchufarlo de la red o desconectar el interruptor automático del cuadro eléctrico y cortar la alimentación de gas. Avisar al Servicio de Asistencia Técnica.
- Las averías o daños en el aparato conllevan peligro. No conectar nunca un aparato defectuoso. Desenchufar el aparato de la red o desconectar el fusible en la caja de fusibles. Cortar la alimentación de gas. Avisar al Servicio de Asistencia Técnica.
- Las ollas que presenten daños, tengan un tamaño inadecuado o estén mal situadas pueden provocar lesiones graves. Observar los consejos y advertencias relativos a los recipientes para cocinar.

⚠ Advertencia – ¡Peligro de descarga eléctrica!

- El aislamiento del cable de un aparato eléctrico puede derretirse al entrar en contacto con componentes calientes. No dejar que el cable de conexión de un aparato eléctrico entre en contacto con los componentes calientes.
- No utilizar ni limpiadores de alta presión ni por chorro de vapor. La humedad interior puede provocar una descarga eléctrica.
- Un aparato defectuoso puede ocasionar una descarga eléctrica. No conectar nunca un aparato defectuoso. Desenchufar el aparato de la red o desconectar el interruptor automático del cuadro eléctrico. Avisar al Servicio de Asistencia Técnica.
- Las reparaciones inadecuadas son peligrosas. Las reparaciones solo pueden ser efectuadas por personal del Servicio de Asistencia Técnica debidamente

instruido. Si el aparato está defectuoso, extraer el enchufe o desconectar el fusible en la caja de fusibles. Avisar al Servicio de Asistencia Técnica.

Causas de daños

¡Atención!

- **Daños por exceso de calor en aparatos o muebles colindantes:** Si se utiliza el aparato durante mucho tiempo, se produce calor y humedad. Es necesaria una ventilación adicional. Por ejemplo, abrir una ventana o encender una campana extractora que conduzca el aire al exterior.
- **Daños en el aparato debido a una acumulación de calor:** No calentar asadores, sartenes o piedras de parrilla al mismo tiempo con varios quemadores.
- **Avería:** Mantener el mando de control en la posición cero siempre que no se esté utilizando el aparato.

Protección del medio ambiente

Aquí se ofrecen consejos sobre cómo ahorrar energía e indicaciones para la eliminación del aparato.

Ahorro de energía

- Escoger el quemador adecuado para el tamaño de la olla. Colocar el recipiente para cocinar centrado.
- Utilizar una olla pequeña para cantidades reducidas. Una olla grande y poco llena requiere mucha energía.
- Utilizar siempre la tapa correspondiente a cada olla. Cuando se cocina sin tapa, se necesita bastante más energía. Utilizar una tapa de cristal para poder tener visibilidad sin necesidad de levantarla.
- Al cocer, utilizar poca agua. De este modo se ahorra energía. Se conservan todas las vitaminas y minerales de las verduras.
- Reducir cuando corresponda y usar un nivel menor de potencia. Así se ahorra energía.

Eliminación de residuos respetuosa con el medio ambiente



Eliminar el embalaje de forma ecológica.

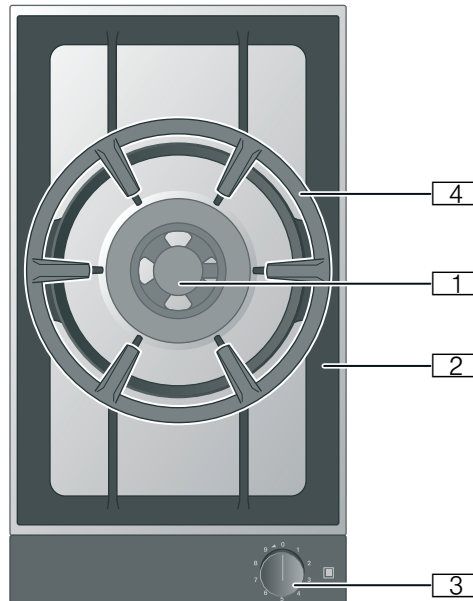


Este aparato está marcado con el símbolo de cumplimiento con la Directiva Europea 2012/19/UE relativa a los aparatos eléctricos y electrónicos usados (Residuos de aparatos eléctricos y electrónicos RAEE).

La directiva proporciona el marco general válido en todo el ámbito de la Unión Europea para la retirada y la reutilización de los residuos de los aparatos eléctricos y electrónicos.

Presentación del aparato

Placa de cocción de gas



- 1** Quemador para wok de 6,0 / 5,8 kW
- 2** Soporte para ollas
- 3** Mandos de control:
0 = zona de cocción desconectada
Nivel de potencia 1 = potencia más baja
Nivel de potencia 9 = potencia más alta
◀ Sentido de giro para conexión
- 4** Accesorio para wok

Indicación en el anillo luminoso

El mando de control dispone de un anillo luminoso con distintas indicaciones.

| Panel indicador | Interpretación |
|---------------------------|--|
| ○ Desactivado | Aparato APAGADO |
| ● Iluminado en: naranja | Aparato ENCENDIDO |
| ● Parpadeo lento: naranja | Aparato APAGADO Indicador de calor residual |
| ☀ Parpadeo: naranja | Avería en el aparato Avisar al servicio de atención al cliente. |

Accesorios especiales

En su comerciante especializado, puede adquirir el accesorio indicado a continuación:

WP 400 001 Sartén wok de material multicapa.
Con fondo abombado y mango,
Ø 36 cm, 6 litros, altura 10 cm.

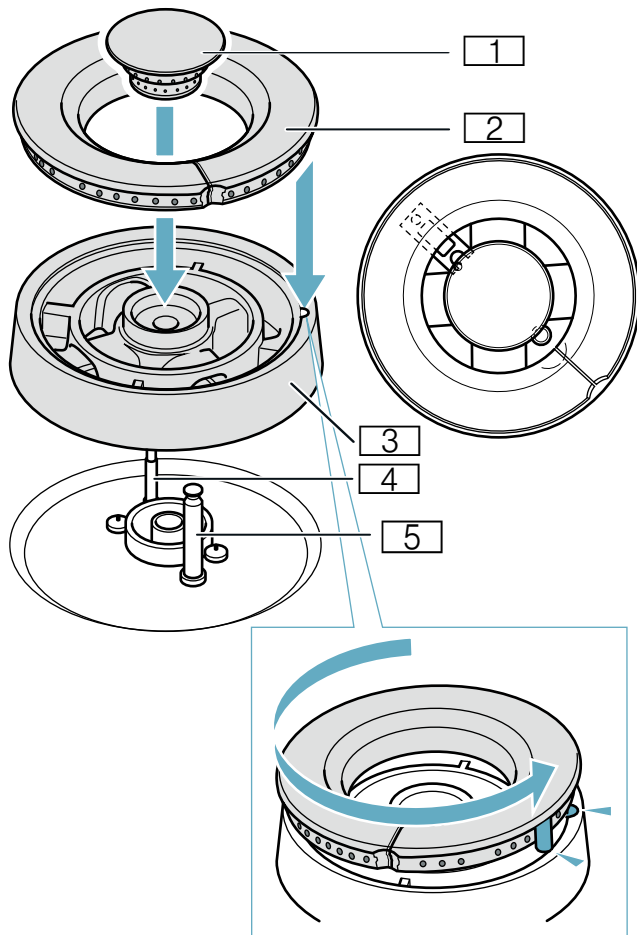
Utilice el accesorio tal como se ha prescrito. El fabricante no se hace responsable por un uso incorrecto.

Nota: Cuando la tapa del aparato VD 200 esté montada y el aparato se haya enfriado, girar el soporte para ollas del quemador wok antes de cerrar la tapa.

Componentes del quemador wok

Montar los componentes del quemador wok rectos y en su posición adecuada; si no, se podrían producir alteraciones en la ignición o durante el funcionamiento. Colocar el cabezal del quemador de manera que el termopar encaje en el hueco correspondiente del cabezal. La lengüeta de retención del círculo de llama del quemador debe encajar en el hueco correspondiente del cabezal.

Nota: Si los componentes del quemador no se colocan rectos, el aparato no funcionará.



- 1 Tapa del quemador
- 2 Círculo de llama del quemador
- 3 Cabezal del quemador
- 4 Termopar
- 5 Bujía

Manejar el aparato

Notas

- Utilizar únicamente los accesorios indicados. No cubrir la placa de acero (p. ej., con papel de aluminio).
- No tapar las aberturas de ventilación de la parte trasera del cuadro de mandos.
- El quemador y la bujía deben estar limpios y secos.
- Las zonas de cocción solo deben encenderse cuando el soporte para ollas y todos los componentes del quemador estén correctamente colocados.
- Presionar hasta el tope y mantener pulsado el mando de control; seguidamente, girarlo hasta alcanzar la posición deseada.
- Tras el encendido, mantener el mando de control presionado de 2 a 4 segundos, que es el tiempo necesario para que se caliente el sensor térmico (que es el encargado de abrir el conducto del gas).
- Si la llama no se enciende en un plazo de 2 a 4 segundos, volver a girar el mando de control hacia la izquierda hasta las potencias bajas y, después de que se encienda, volver a girarlo hasta las potencias elevadas. Normalmente es más fácil el encendido en potencias bajas, puesto que cada gas reacciona de forma diferente ante el encendido.
- Cuando se enciende un quemador, se produce una chispa en todos los quemadores.
- No tocar la bujía mientras el aparato de gas esté encendiendo.
- Mantener la máxima limpieza. Si las bujías están sucias, el encendido será defectuoso. Limpiarlas periódicamente con un cepillo pequeño no metálico. Tener en cuenta que las bujías no deben sufrir impactos violentos.

Conectar

Este aparato está equipado con una válvula por etapas. Las marcas del mando de control muestran el nivel de potencia (del 1 al 9).

La placa de cocción de gas está dotada de bujías para poder llevar a cabo el encendido eléctrico.

- 1 Colocar un recipiente de cocción adecuado sobre la rejilla.
- 2 Presionar y girar el mando de control del quemador elegido hacia la izquierda hasta seleccionar el nivel de potencia deseado. El quemador se enciende automáticamente.

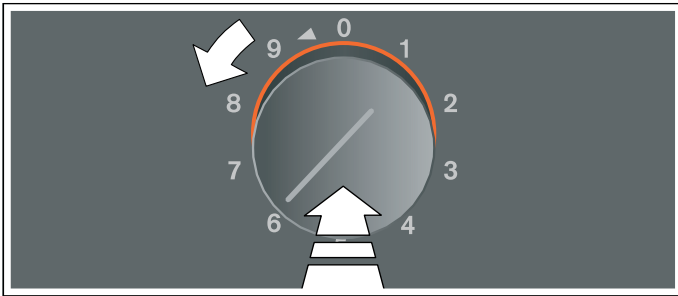
Se puede ajustar el nivel de potencia deseado girando el mando de control.

¡Atención!**Daños en el aparato**

No intentar nunca girar el mando de control de la posición 0 directamente a la posición 1 ni de la posición 1 directamente a la posición 0. De este modo, se puede dañar la válvula por etapas.

⚠ Advertencia – ¡Peligro de deflagración!

Si transcurridos 15 segundos la llama no se enciende, desactivar el mando de control y abrir la puerta o ventana de la estancia. Esperar al menos un minuto antes de intentar encender el quemador de nuevo.

**Encendido manual**

En caso de un corte en el suministro de corriente, el quemador se puede encender también manualmente.

- 1** Colocar un recipiente de cocción adecuado sobre la rejilla.
- 2** Presionar y girar el mando de control del quemador elegido hacia la izquierda hasta seleccionar el nivel de potencia deseado. Mantener pulsado el mando de control.
- 3** Encender el quemador con un encendedor de gas o una cerilla. Mantener presionado el mando de control durante unos segundos tras el encendido.

Nota: El panel indicador del anillo luminoso permanece apagado.

Control termoelectrónico de la llama

Para garantizar su seguridad, la placa de cocción incorpora un sistema de control termoelectrónico de la llama. Este sistema evita las fugas de gas en caso de que el quemador se apague por error (p. ej. debido a una corriente de aire).

Si el quemador se apaga por error, girar el mando de control hasta la posición 0 y esperar al menos 1 minuto antes de volver a encender el quemador.

Apagar

Girar el mando de control hacia la derecha hasta la posición 0.

⚠ Advertencia – ¡Riesgo de sufrir quemaduras !

Al tener la tapa del aparato cerrada se produce una acumulación de calor. Conectar o encender el aparato sólo con la tapa abierta. No deberá usarse para conservar alimentos calientes o colocar cosas encima. No cerrar la tapa del aparato hasta que este se haya enfriado.

¡Atención!**Daños en el aparato**

Líquidos derramados antes de abrir la tapa del aparato.

Indicador de calor residual

Después de apagarlo, el anillo luminoso del mando del control parpadea lentamente en naranja para indicar que el aparato todavía está demasiado caliente como para tocarlo. No tocar el aparato mientras el indicador de calor residual parpadee.

Tabla de ajustes y consejos

| Nivel de potencia | Procedimiento de cocción | Ejemplos |
|-------------------|--|--|
| 9 | Calentar | Agua, consomés |
| | Escaldar | Verduras |
| | Freír | Patatas fritas, repostería |
| 7 - 9 | Sofreír | Carne |
| | Asar a temperaturas altas | Carne, patatas |
| 6 - 8 | Continuar la cocción con la tapa abierta | Líquidos, pastas |
| 5 - 7 | Horneado | Productos elaborados con harina |
| | Asar a temperaturas medias | Aves, pescado |
| 4 - 5 | Asar a temperaturas bajas | Salchichas, cebollas, productos elaborados con huevo |
| | Descongelar | Alimentos congelados |
| 4 | Escalfar con la tapa abierta | Knödel, salchichas cocidas |
| | Calentar | Verduras, sopas, guisos |
| 3 - 4 | Estofar | Rollitos de carne, asados |
| | Rehogar | Verduras |
| 2 - 4 | Continuar la cocción con la tapa cerrada | Sopas, verduras |
| 1 | Poner en remojo | Arroz, arroz con leche, cereales |

Consejos para cocinar y asar

Los valores de la tabla de ajuste son meramente orientativos, ya que según el tipo y estado de los alimentos, así como el tamaño y el nivel de llenado de la olla, puede ser necesario más o menos calor.

Debido a su elevada potencia la grasa y el aceite se calientan muy rápidamente. No deje los productos en cocción sin vigilancia, la grasa podría incendiarse y quemar el producto de asar.

Consejos para el wok

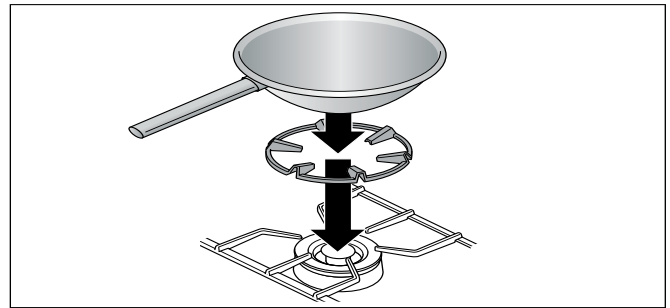
Nota: Para cocinar con una sartén wok, hay que colocar el accesorio para sartén wok sobre el quemador tipo wok en el soporte para ollas. Asegurarse de que la sartén wok esté colocada correctamente sobre el accesorio para sartén wok.

Le recomendamos sartenes wok con fondo abombado. Se puede adquirir una sartén wok de gran calidad como accesorio especial (n.º de referencia WP 400 001).

Para cocinar con la sartén wok, utilizar únicamente un aceite de cocina que alcance elevadas temperaturas, p. ej., aceite de cacahuete.

Cocer los ingredientes a fuego alto, removiendo constantemente y no durante demasiado tiempo. Las verduras deben quedar al dente.

Para remover y sacar los alimentos, utilizar un cucharón plano con mango largo de material resistente al calor.



⚠ Advertencia – ¡Peligro de lesiones!

El quemador estándar no es apto para su uso con el accesorio para sartén wok y con una sartén wok. La sartén wok no es estable y puede volcar. No colocar nunca el accesorio para sartén wok sobre el quemador estándar.

Consejos para el uso de recipientes

Las siguientes indicaciones ayudan a ahorrar energía y a evitar daños en los recipientes para cocinar.

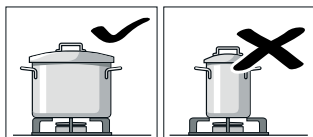
Recipientes de cocción apropiados

| Quemador | Diámetro recomendado de la base de la olla | Diámetro mínimo de la base de la olla |
|-------------------|---|---------------------------------------|
| Quemador tipo wok | 240 - 300 mm | 160 mm |
| | Utilizar la sartén wok únicamente con el accesorio para sartén wok. | |

No deben utilizarse ollas con un diámetro menor de 160 mm o mayor de 300 mm.

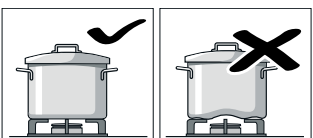
Mantener una distancia mínima de 50 mm entre el recipiente de cocción y los alrededores inflamables. Mantener una distancia mínima de 50 mm entre el mando de control o el cuadro de mandos y la olla o la sartén. El recipiente de cocción no debe estar sobre el cuadro de mandos ni sobre el mando de control. El recipiente de cocción no debe rebasar los bordes de la placa de cocción.

Indicaciones de uso



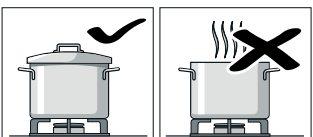
Utilice recipientes de cocción de tamaño apropiado al quemador correspondiente.

No utilice recipientes de cocción pequeños en un quemador grande. La llama no deberá tocar los laterales del recipiente de cocción.

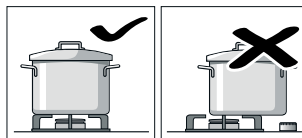


No utilice recipientes de cocción deformados que no asienten de forma estable sobre la placa de cocción. Los recipientes podrían volcar.

Utilice sólo recipientes de cocción con una base plana y gruesa.

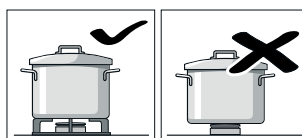


No cocine sin tapa o si se encuentra desplazada la tapa. Se derrocha gran parte de la energía.



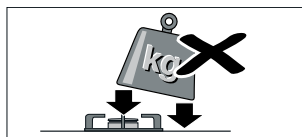
Coloque el recipiente de cocción en el centro por encima del quemador, de lo contrario podría volcar el recipiente.

No coloque las ollas grandes sobre el quemador cerca de los mandos. Estos podrían sobrecalentarse y por consiguiente dañarse.



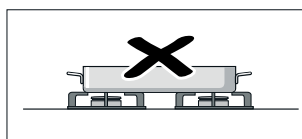
Coloque las ollas sobre soporte de ollas y no directamente sobre los quemadores.

Cerciórese antes de su uso que el soporte de ollas y la tapa del quemador de gas asienten correctamente.



Manipule con precaución los recipientes colocados sobre la placa de cocción.

No golpee la placa de cocción ni coloque sobre ella elevados pesos.



No caliente nunca un recipiente de cocción (p.ej. asador, sartén, piedra para grill) con varios quemadores. La acumulación de calor produce daños en el aparato.

Cuidados y limpieza

⚠ Advertencia – ¡Peligro de descarga eléctrica!

No utilizar ni limpiadores de alta presión ni por chorro de vapor. La humedad interior puede provocar una descarga eléctrica.

⚠ Advertencia – ¡Peligro de quemaduras!

Las partes accesibles se calientan durante el funcionamiento. No tocar nunca las partes calientes. No dejar que los niños se acerquen.

¡Atención!

Daños superficiales

No use los medios de limpieza siguientes

- Productos de limpieza abrasivos o bien agresivos
- Limpiadores para hornos
- Limpiadores cáusticos, con cloro o agresivos
- Limpiadores con un alto contenido de alcohol
- Esponjas de fregar, cepillos o bien estropajos duros o abrasivos

Si el aparato entra en contacto con estos medios, lavelo inmediatamente con agua.

¡Antes del uso lave siempre las esponjas nuevas!

Limpiar el aparato

Limpiar el aparato después de cada uso una vez que se haya enfriado. Retirar de inmediato los líquidos derramados y no permitir que se quemem restos de comida.

Secar completamente los quemadores tras su limpieza. El aparato solo debe ponerse en marcha si los quemadores están secos. Los quemadores húmedos pueden dar problemas al encender el aparato o hacer que la llama no sea estable.

Durante el montaje, colocar los componentes del quemador en la posición correcta (lengüetas de retención). Todas las piezas deben estar rectas.

| Pieza del aparato/superficie | Limpeza recomendada |
|--|--|
| Superficies de acero inoxidable | Utilizar agua con un poco de jabón y secar seguidamente con un paño suave. Utilizar poca cantidad de agua para la limpieza, ya que no debe penetrar agua en el aparato. Dejar ablandar las zonas quemadas con un poco de agua con detergente, sin restregar. Utilizar nuestro limpiador para acero inoxidable para eliminar la suciedad incrustada y decoloración amarilla provocada por el calor (n.º art. 00311499). |
| Soporte para ollas, accesorio para wok | Retirarlo con cuidado para la limpieza. Dejarlo ablandar en el fregadero. Limpiar con un cepillo para fregar los platos y detergente. Limpiar con sumo cuidado la zona del tope de goma para que este no se desprenda. Enjuagar con agua limpia y dejar secar antes de volverlo a colocar. El soporte para ollas también se puede lavar en el lavavajillas. De esta forma, es posible que el soporte para ollas se decolore. Esto no afecta a su uso. |
| Componentes del quemador | Utilizar agua con un poco de jabón y secar seguidamente con un paño suave. Comprobar que las aberturas no estén obstruidas. Prestar atención para que no se extravié ninguna pieza pequeña. No lavar en el lavavajillas. |
| Cuadro de mandos | Utilizar agua con un poco de jabón y no humedecer el trapo en exceso. Secar con un paño suave. |
| Mandos de control | Utilizar agua con un poco de jabón y no humedecer el trapo en exceso. Secar con un paño suave. ¡Atención! Daños en el aparato No desmontar el mando de control para limpiarlo. |

Suciedad quemada

Para eliminar la suciedad incrustada o quemada, se puede solicitar un gel limpiador (n.º art. 00311859) en nuestra tienda en línea o a través de un comercio especializado o de nuestro Servicio de Atención al Cliente. Este gel está indicado para los soportes para ollas y las placas de acero inoxidable. En caso necesario, dejar que el producto actúe toda la noche. Tener en cuenta las indicaciones del propio producto limpiador.

¡Atención!**Daños en la superficie**

No utilizar el gel de limpieza sobre los componentes del quemador, el cuadro de mandos ni los mandos de control.

Decoloración de los quemadores

Después de un uso prolongado, los componentes de latón de los quemadores se vuelven más oscuros por oxidación natural. El cambio de color no afecta al rendimiento de uso.

¿Qué hacer en caso de avería?**⚠ Advertencia – ¡Peligro de descarga eléctrica!**

Las reparaciones inadecuadas son peligrosas. Las reparaciones solo pueden ser efectuadas por personal del Servicio de Asistencia Técnica debidamente instruido. Si el aparato está defectuoso, extraer el enchufe o desconectar el fusible en la caja de fusibles. Avisar al Servicio de Asistencia Técnica.

Con frecuencia, cuando se produce una avería, suele tratarse de una pequeña anomalía fácil de subsanar. Antes de llamar al Servicio de Atención al Cliente, deben tenerse en cuenta las indicaciones de la tabla.

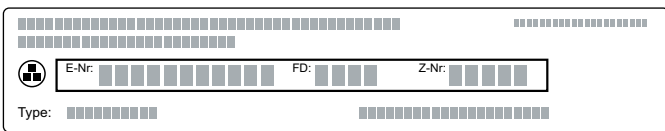
| Anomalía | Posible causa | Solución |
|---|--|---|
| Anomalía eléctrica en general. | Se ha disparado la protección doméstica. | Comprobar en el cuadro de protección si se han disparado los interruptores automáticos. |
| El encendido eléctrico no funciona. | Entre los electrodos de encendido y los quemadores pueden existir restos de alimentos o bien de productos de limpieza. | El espacio intermedio entre el electrodo de encendido y el quemador deberá estar limpio. |
| | Los quemadores están húmedos. | Secar bien las tapas de quemadores. |
| | Las tapas de quemadores no están colocadas correctamente. | Compruebe si esta la tapa asentada correctamente. |
| Llama de quemador irregular | Fallo de corriente | Encender el quemador manualmente. |
| | Las piezas de los quemadores no están colocadas correctamente. | Colocar las piezas de los quemadores correctamente. |
| Aparentemente el flujo de gas parece normal, sin embargo no sale gas. | Los orificios de los quemadores están obstruidos. | Limpiar los orificios del quemador. |
| | Las válvulas interconectadas están cerradas. | Abrir las válvulas interconectadas. |
| En la cocina huele a gas. | En caso de utilizar una bombona de gas, compruebe de que no esté vacía. | Sustituir la bombona de gas. |
| | Posible puntos de fuga puede ser la conexión de la bombona de gas. | Comprobar estanqueidad de la bombona de gas. |
| El quemador se apaga de inmediato tras encender. | No ha accionado la maneta de mando el suficiente tiempo. | Una vez encendido el quemador, mantener presionada la maneta de mando unos segundos más. Pulsar firmemente. |
| | Los orificios de los quemadores están obstruidos. | Limpiar los orificios del quemador. |

Servicio de Asistencia Técnica

Nuestro Servicio de Asistencia Técnica se encuentra a su disposición siempre que necesite la reparación de su aparato. Siempre encontramos la solución adecuada, incluso para evitar que el personal del Servicio de Asistencia Técnica deba desplazarse innecesariamente.

Número de producto (E) y número de fabricación (FD)

Indicar el número de producto (E) completo y el de fabricación (FD) para obtener un asesoramiento cualificado. La placa de características con los números se encuentra en la parte inferior del aparato.



A fin de evitarse molestias llegado el momento, le recomendamos anotar los datos de su aparato, así como el número de teléfono del Servicio de Asistencia Técnica en el siguiente apartado.

| E-Nr. | N.º de fabricación (FD) |
|-------|-------------------------|
|-------|-------------------------|

Servicio de Asistencia Técnica ☎

En caso de manejo incorrecto, debe tenerse en cuenta que la asistencia del personal del Servicio de Asistencia Técnica no es gratuita, incluso durante el periodo de garantía.

Las señas de las delegaciones internacionales figuran en la lista adjunta de centros y delegaciones del Servicio de Asistencia Técnica Oficial.

Solicitud de reparación y asesoramiento en caso de averías

E 902 30 30 44

Confíe en la competencia del fabricante. De esa forma se asegura de que la reparación se lleva a cabo por personal técnico debidamente instruido, equipado con las piezas originales y de repuesto necesarias para su aparato.

Índice

| | |
|--|-----------|
| Utilização de acordo com o fim a que se destina | 30 |
| Indicações de segurança importantes | 31 |
| Causas de danos | 33 |
| Proteção do meio ambiente | 33 |
| Poupar energia | 33 |
| Eliminação ecológica | 33 |
| Familiarização com o aparelho | 34 |
| Placa de cozinhar a gás | 34 |
| Indicação no anel luminoso | 34 |
| Acessórios especiais | 34 |
| Peças individuais do queimador para wok | 35 |
| Utilizar o aparelho | 35 |
| Ligar | 35 |
| Ignição manual | 36 |
| Monitorização termoelétrica da chama | 36 |
| Desligar | 36 |
| Indicador de calor residual | 36 |
| Tabela de regulações e conselhos | 37 |
| Dicas para cozer e fritar | 37 |
| Dicas sobre o wok | 37 |
| Indicações sobre o recipiente para cozinhar | 38 |
| Tachos/panelas adequados | 38 |
| Instruções de utilização | 38 |
| Limpeza e manutenção | 39 |
| Limpeza do aparelho | 39 |
| Sujidade incrustada | 39 |
| Descoloração dos queimadores | 40 |
| Anomalias, o que fazer? | 40 |
| Assistência Técnica | 41 |
| Número E e número FD | 41 |

Obtenha mais informações relativas a produtos, acessórios, peças sobresselentes e Assistência Técnica na Internet: www.gaggenau.com e na loja Online: www.gaggenau.com/zz/store

⚠ Utilização de acordo com o fim a que se destina

Leia atentamente o presente manual. Só assim poderá utilizar o seu aparelho de forma segura e correcta. Guarde as instruções de utilização e montagem para consultas futuras ou para futuros utilizadores.

Este aparelho destina-se apenas à montagem embutida. Respeite as instruções de montagem especiais.

Este aparelho tem de ser instalado segundo as instruções de montagem incluídas.

Examine o aparelho depois de o desembalar. Se forem detectados danos de transporte, não ligue o aparelho.

O aparelho só pode ser ligado por um técnico autorizado. A garantia cessa em caso de danos provocados por uma ligação incorrecta. Para adaptar o aparelho para um tipo de gás diferente, contacte o serviço de assistência técnica.

Este aparelho destina-se exclusivamente a uso privado e doméstico. Utilize o aparelho apenas para preparar refeições e bebidas. Nunca o utilize como aparelho de aquecimento. Vigie o aparelho durante o funcionamento. Utilize o aparelho apenas em espaços interiores.

Não monte este aparelho em embarcações ou veículos.

O aparelho foi concebido para ser utilizado até a uma altitude de 4000 metros acima do nível do mar, no máximo.

Este aparelho não foi previsto para ser utilizado com um temporizador externo ou um telecomando externo.

Não utilize tampas para a placa de cozinhar. Podem provocar acidentes, p. ex., devido ao sobreaquecimento, à inflamação ou ao rebentamento dos materiais.

Utilize apenas dispositivos de proteção ou grelhas de proteção para crianças por nós autorizados. Dispositivos de proteção ou grelhas de proteção para crianças inadequados podem provocar acidentes.

Este aparelho pode ser usado por crianças com mais de 8 anos e por pessoas com limitações físicas, sensoriais ou mentais ou com pouca experiência ou conhecimentos, se estiverem sob vigilância de uma pessoa responsável pela sua segurança ou tiverem sido instruídas acerca da utilização segura do aparelho e tiverem compreendido os perigos decorrentes da sua utilização.

As crianças não devem brincar com o aparelho. As tarefas de limpeza e manutenção por parte do utilizador não devem ser efectuadas por crianças, a não ser que tenham mais de 15 anos e estejam sob vigilância.

As crianças menores de 8 anos devem manter-se afastadas do aparelho e do cabo de ligação.

Fechar a válvula de segurança na conduta de admissão de gás sempre que o aparelho não seja utilizado durante longos períodos.

⚠ Indicações de segurança importantes

⚠ Aviso – PROCEDIMENTO EM CASO DE CHEIRO A GÁS!

As fugas de gás podem provocar explosões.

Caso se verifique cheiro a gás ou anomalias na instalação de gás:

- Fechar imediatamente a alimentação de gás ou a válvula da botija de gás.
- Apagar imediatamente qualquer lume, chama e cigarros.
- Não ligar o interruptor da luz e do aparelho, não retirar os interruptores da tomada. Não utilizar telefones ou telemóveis em casa.
- Abrir as janelas e arejar bem o espaço.
- Chamar o serviço de assistência técnica ou a empresa de abastecimento de gás.

⚠ Aviso – Perigo de asfixia!

A utilização de um aparelho de cozinhar a gás produz calor, humidade e produtos de combustão no local de instalação. Certifique-se que há uma ventilação suficiente do local de instalação. Os orifícios de ventilação naturais devem ficar abertos ou deve ser providenciado um equipamento de ventilação mecânica (p.ex. um exaustor). Se utilizar o aparelho intensiva e prolongadamente poderá ser necessária ventilação adicional, p.ex. abrir uma janela, ou uma ventilação mais eficaz, p.ex. aumentar a potência do equipamento de ventilação mecânica disponível.

⚠ Aviso – Perigo de incêndio!

- O óleo e a gordura quentes incendeiam-se rapidamente. Nunca deixe óleo ou gordura quentes sem vigilância. Nunca apague fogo com água. Desligue a zona de cozinhar. Afafe as chamas com uma tampa, manta de amianto ou um objecto equivalente.
- As zonas de cozinhar ficam muito quentes. Nunca coloque objectos inflamáveis sobre a placa de cozinhar. Não guarde objectos sobre a placa de cozinhar.

- O aparelho fica muito quente; os materiais combustíveis podem inflamar-se. Nunca coloque nem utilize objectos inflamáveis (p. ex., latas de spray, produtos de limpeza) por baixo do aparelho ou nas suas imediações. Nunca coloque objectos inflamáveis sobre o aparelho nem no seu interior.
- O aparelho fica muito quente, tecidos e outros objetos podem incendiar-se. Manter tecidos (por ex. peças de vestuário, cortinas) afastados das chamas. Nunca toque na chamas. Não pousar objetos inflamáveis (p. ex., pano de cozinha, revistas) por cima, ao lado ou atrás do aparelho.
- As zonas de cozinhar a gás que não tenham louça para cozinhar colocada em cima ficam muito quentes durante o funcionamento. O aparelho e um exaustor que tenha sido colocado por cima podem danificar-se ou incendiar-se. Os resíduos de gordura no filtro do exaustor podem incendiar-se. As zonas de cozinhar a gás devem apenas funcionar com louça para cozinhar colocada em cima.
- Se o queimador não se acender após 15 segundos, desligue os comandos e abra a porta ou a janela do compartimento. Aguarde, pelo menos, um minuto, antes de acender novamente o queimador.

⚠ Aviso – Perigo de queimaduras!

- O aparelho aquece durante o funcionamento. Deixe o aparelho arrefecer antes de realizar a limpeza.
- As zonas de cozinhar e as suas imediações, nomeadamente uma estrutura da placa de cozinhar, eventualmente existente, ficam muito quentes. Nunca toque nas superfícies quentes. Mantenha as crianças afastadas.

- As peças que se encontram acessíveis ficam quentes durante o funcionamento do aparelho. Nunca toque nas peças quentes. Manter fora do alcance das crianças.
- A tampa do aparelho fechada provoca acumulação de calor. Usar ou ligar o aparelho apenas com a tampa do aparelho aberta. Não usar a tampa do aparelho para manter quente ou desligar. Só fechar a tampa do aparelho quando o aparelho tiver arrefecido.

Atenção!

Danos no aparelho

Remover os líquidos derramados antes de abrir a tampa do aparelho.

- A louça para cozinhar vazia fica extremamente quente em cima de zonas de cozinhar a gás em funcionamento. Nunca aqueça louça para cozinhar vazia.
- Quando a garrafa de gás de petróleo liquefeito (GPL) não está na vertical, pode passar propano/butano líquido para o aparelho, podendo originar labaredas intensas nos queimadores. Os componentes poderão ser danificados e, com o tempo, deixar de vedar corretamente, permitindo a saída descontrolada de gás. Qualquer destas situações pode provocar queimaduras. Coloque sempre garrafas de GPL na posição vertical.

⚠ Aviso – Perigo de ferimentos!

- As reparações indevidas são perigosas. As reparações e substituições de condutores de corrente e tubagens do gás danificados só podem ser efectuadas por técnicos especializados do serviço de assistência técnica. Se o aparelho estiver avariado, desligue a ficha da tomada ou desligue o disjuntor no quadro eléctrico e feche a alimentação de gás. Contacte o serviço de assistência técnica.

- Avarias ou danos no aparelho são perigosos. Nunca ligue um aparelho defeituoso. Desligue a ficha da tomada ou desligue o disjuntor no quadro eléctrico. Feche a alimentação de gás. Contacte o serviço de assistência técnica.
- Recipientes de tamanho inadequado, danificados ou mal colocados podem provocar ferimentos graves. Ter em atenção as indicações sobre os recipientes para cozinhar.

⚠ Aviso – Perigo de choque eléctrico!

- O isolamento dos cabos de electrodomésticos pode derreter em contacto com partes quentes do aparelho. Nunca coloque os cabos de electrodomésticos em contacto com partes quentes do aparelho.
- A humidade que se infiltra no aparelho pode dar origem a um choque eléctrico. Não utilize aparelhos de limpeza a alta pressão ou de limpeza a vapor.
- Um aparelho avariado pode causar choques eléctricos. Nunca ligue um aparelho avariado. Puxe a ficha da tomada ou desligue o disjuntor no quadro eléctrico. Contacte o Serviço de Assistência Técnica.
- As reparações indevidas são perigosas. As reparações só podem ser efectuadas por técnicos especializados do serviço de assistência técnica. Se o aparelho estiver avariado, puxe a ficha da tomada ou desligue o disjuntor no quadro eléctrico. Contacte o serviço de assistência técnica.

Causas de danos

Atenção!

- **Danos provocados pelo calor em aparelhos ou móveis adjacentes:** Se o aparelho for utilizado durante muito tempo, forma-se calor e humidade. É necessária uma ventilação adicional. Abra a janela ou ligue um exaustor para o exterior.
- **Danos no aparelho devido à acumulação de calor:** Não aqueça simultaneamente assadeiras, frigideiras ou pedras para grelhar com vários queimadores.
- **Anomalia:** Rode sempre o comando para a posição zero, se o aparelho não estiver em funcionamento.

Proteção do meio ambiente

Aqui obtém dicas para poupar energia e indicações sobre a eliminação do aparelho.

Poupar energia

- Selecione o queimador adequado ao tamanho da panela. Coloque o recipiente para cozinhar ao centro.
- Para pequenas porções, utilize um tacho pequeno. Um tacho grande pouco cheio necessita de muita energia.
- Tape sempre os tachos com uma tampa adequada. Cozinhar sem tampa consome significativamente mais energia. Utilize uma tampa de vidro para poder ver para o interior da panela, sem que tenha de levantar a tampa.
- Cozinhe com pouca água. Assim poupa energia. Os legumes mantêm as vitaminas e os minerais.
- Reduza atempadamente a potência de cozedura para um nível mais baixo. Assim, poupará energia.

Eliminação ecológica

Elimine a embalagem de forma ecológica.

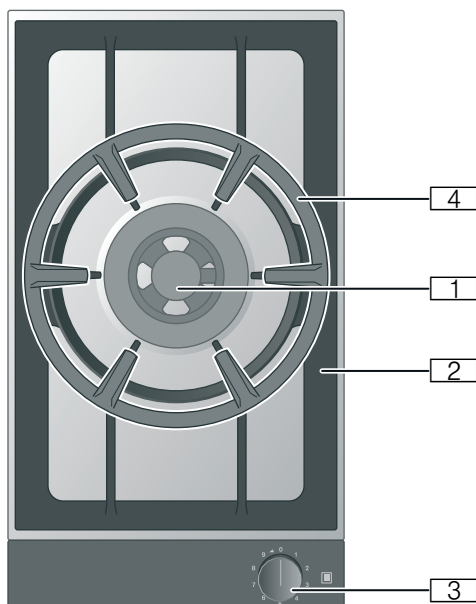


Este aparelho está marcado em conformidade com a Directiva 2012/19/UE relativa aos resíduos de equipamentos eléctricos e electrónicos (waste electrical and electronic equipment - WEEE).

A directiva estabelece o quadro para a criação de um sistema de recolha e valorização dos equipamentos usados válido em todos os Estados Membros da União Europeia.

Familiarização com o aparelho

Placa de cozinhar a gás



- 1 Queimador para wok 6,0/5,8 kW
- 2 Grelhas
- 3 Comandos:
 - 0 = zona de cozinhar desligada
 - Potência de cozedura 1 = potência mínima
 - Potência de cozedura 9 = potência máxima
 - ◀ Direção de rotação para ligar
- 4 Anel wok

Indicação no anel luminoso

O comando dispõe de um anel luminoso com diferentes possibilidades de indicação.

| Indicação | Significado |
|-----------------------------|--|
| ○ Desl. | Aparelho DESLIGADO |
| ● Aceso: laranja | Aparelho LIGADO |
| ● Pisca lentamente: laranja | Aparelho DESLIGADO Indicação de calor residual |
| ☀ Pisca: laranja | Falha do aparelho Contacte a Assistência Técnica! |

Acessórios especiais

Poderá encomendar os seguintes acessórios através do seu revendedor:

WP 400 001 Frigideira wok em material multicamadas. Com fundo côncavo e pega, Ø 36 cm, 6 litros, 10 cm de altura.

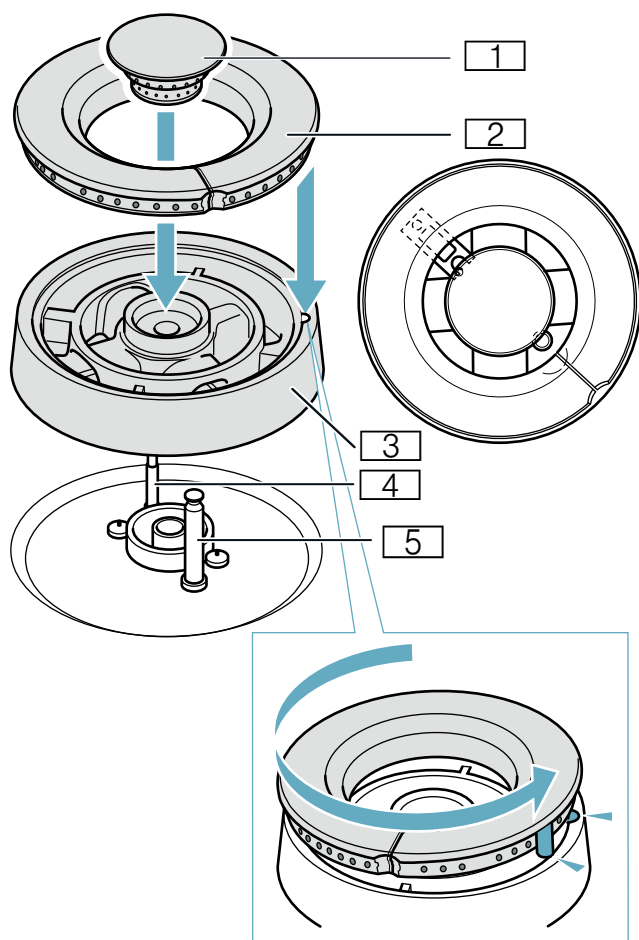
Utilize os acessórios apenas de acordo com as instruções. O fabricante não se responsabiliza quando os acessórios são utilizados de forma incorrecta.

Conselho: Com a tampa do aparelho VD 200 montada, antes do fecho da mesma, deverá virar a grelha do queimador para wok, quando o aparelho tiver arrefecido.

Peças individuais do queimador para wok

Coloque cada um das peças individuais do queimador para wok com exatidão e na horizontal, caso contrário podem ocorrer avarias durante a ignição ou durante o funcionamento. Coloque a cabeça do queimador de forma que o elemento térmico esteja posicionado no entalhe correspondente na cabeça do queimador. A patilha de encaixe no anel do queimador tem de encaixar no entalhe correspondente na cabeça do queimador.

Conselho: O aparelho não funciona se as peças do queimador estiverem inclinadas.



- 1 Tampa do queimador
- 2 Anel do queimador
- 3 Cabeça do queimador
- 4 Elemento térmico
- 5 Vela

Utilizar o aparelho

Conselhos

- Utilize apenas os acessórios previstos. Não forne a placa em aço inoxidável (p. ex., com película de alumínio).
- Não tape as aberturas de ventilação na parte de trás do painel de comandos.
- Os queimadores e as velas têm de estar limpos e secos.
- Só acenda as zonas de cozinhar quando a grelha e todas as peças do queimador estiverem corretamente colocadas.
- Para acender, pressione firmemente os comandos até ao batente e mantenha-os pressionados; em seguida, rode-os para a posição pretendida.
- Após a ignição, mantenha os comandos premidos durante aprox. 2 a 4 segundos, pois é necessário aquecer primeiro o sensor térmico que abre a conduta de gás.
- Se a chama não se acender num espaço de 2 a 4 segundos, continue a rodar os comandos para a esquerda, para a chama fraca, e, após a ignição, de volta para a potência máxima. Muitas vezes, uma ignição em chama fraca é possível mais rapidamente, uma vez que os diferentes gases possuem um comportamento de ignição distinto.
- Ao acender um queimador ocorre uma faísca de ignição em todos os queimadores.
- Não toque na vela enquanto o aparelho a gás estiver a acender.
- Garanta a máxima limpeza. Se as velas estiverem sujas, pode ocorrer uma ignição incorreta. Limpe as velas regularmente com uma escova pequena, não metálica. Preste atenção para que as velas não sejam sujeitas a impactos fortes.

Ligar

Este aparelho possui uma válvula progressiva. As marcações nos comandos indicam a potência de cozedura de 1 a 9.

A sua placa de cozinhar a gás dispõe de velas para a ignição elétrica.

- 1 Coloque um recipiente para cozinhar adequado sobre a grelha.
- 2 Pressione o comando do queimador selecionado e rode para a esquerda, para a potência de cozedura pretendida.
O queimador acende-se automaticamente.

Pode regular a potência de cozedura, rodando o comando.

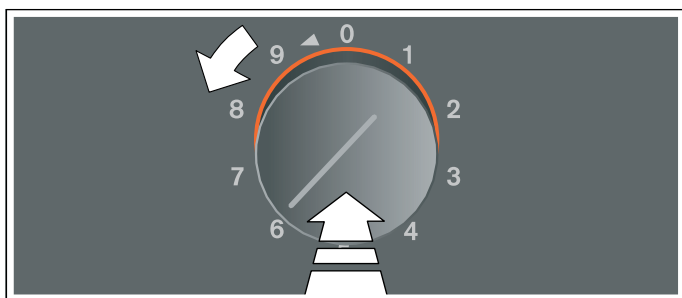
Atenção!

Danos no aparelho

Nunca tente rodar os comandos diretamente da posição 0 para a posição 1 ou da posição 1 para a posição 0. Tal danifica a válvula progressiva.

⚠ Aviso – Perigo de detonação!

Se o queimador não se acender após 15 segundos, desligue os comandos e abra a porta ou a janela do compartimento. Aguarde, pelo menos, um minuto, antes de acender novamente o queimador.



Ignição manual

Se ocorrer uma falha de corrente, também pode acender os queimadores manualmente.

- 1 Coloque um recipiente para cozinhar adequado sobre a grelha.
- 2 Pressione o comando do queimador selecionado e rode para a esquerda, para a potência de cozedura pretendida. Mantenha os comandos premidos.
- 3 Acenda o queimador com um isqueiro ou um fósforo. Mantenha os comandos premidos durante alguns segundos após a ignição.

Conselho: A indicação no anel luminoso permanece desligada.

Monitorização termoelétrica da chama

Para sua segurança, a placa de cozinhar está equipada com uma monitorização termoelétrica da chama. Esta impede a libertação de gás, caso o queimador seja colocado em funcionamento acidentalmente (por ex. por corrente de ar).

Se o queimador for colocado em funcionamento inadvertidamente, gire os comandos para a posição 0 e aguarde, pelo menos, 1 minuto, antes de acender novamente o queimador.

Desligar

Rode os comandos para a direita, para a posição 0.

⚠ Aviso – Perigo de queimaduras!

A tampa do aparelho fechada provoca acumulação de calor. Usar ou ligar o aparelho apenas com a tampa do aparelho aberta. Não usar a tampa do aparelho para manter quente ou desligar. Só fechar a tampa do aparelho quando o aparelho tiver arrefecido.

Atenção!

Danos no aparelho

Remover os líquidos derramados antes de abrir a tampa do aparelho.

Indicador de calor residual

Após a desativação, o anel luminoso no comando pisca lentamente a laranja enquanto o aparelho ainda estiver demasiado quente para que se possa tocar nele sem perigo. Não toque no aparelho enquanto a indicação de calor residual estiver a piscar.

Tabela de regulações e conselhos

| Potência de cozedura | Processo de cozedura | Exemplos |
|----------------------|--|------------------------------------|
| 9 | Aquecer | Água, sopas claras |
| | Branquear | Legumes |
| | Fritar | Batatas fritas, biscoitos |
| 7 - 9 | Saltear | Carne |
| | Assar a altas temperaturas | Carne, batatas |
| 6 - 8 | Continuar a cozinhar com a tampa aberta | Líquidos, massas alimentícias |
| 5 - 7 | Cozer | Pratos à base de farinha |
| | Assar a temperaturas médias | Aves, peixe |
| 4 - 5 | Assar a baixas temperaturas | Salsichas, cebolas, pratos de ovos |
| | Descongelar | Congelados |
| 4 | Cozinhar em lume brando com a tampa aberta | Bolinhos, salsichas |
| | Aquecer | Legumes, sopas, guisados |
| 3 - 4 | Estufar | Rolinhos de carne, assados |
| | Cozinhar a vapor | Legumes |
| 2 - 4 | Continuar a cozinhar com a tampa fechada | Sopas, legumes |
| 1 | Demolhar | Arroz, arroz doce, cereais |

Dicas para cozer e fritar

Os valores da tabela de ajuste servem apenas como valor de orientação, uma vez que, dependendo do tipo e estado dos alimentos, bem como do nível de enchimento da panela, é necessária mais ou menos energia.

A elevada potência aquece a gordura e o óleo muito rapidamente. Não deixe os alimentos a fritar sem supervisão; a gordura pode inflamar-se e o alimento queima-se.

Dicas sobre o wok

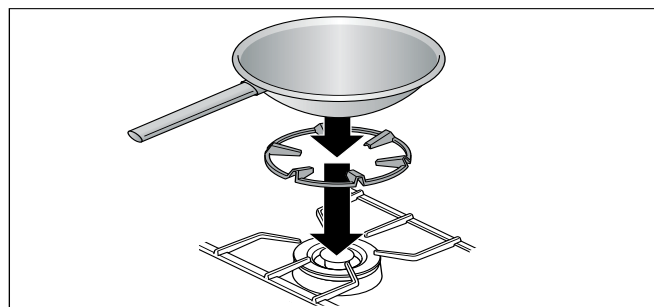
Conselho: Para cozinhar com uma frigideira wok, tem de colocar na grelha o anel wok por cima do queimador do wok. Preste atenção para que a frigideira wok esteja bem segura no anel wok.

Recomendamos frigideiras wok com fundo côncavo. Pode encomendar uma frigideira wok de alta qualidade como acessório especial (número de encomenda WP 400 001).

Para cozinhar com a frigideira wok, utilize apenas óleo para cozinhar com alta capacidade de desempenho, p. ex., óleo de amendoim.

Cozinhe os ingredientes com chama forte, mexendo continuamente e durante pouco tempo. Os legumes devem ficar estaladiços.

Para mexer e retirar os alimentos, utilize preferencialmente uma concha plana com haste comprida, fabricada a partir de um material resistente ao calor.



⚠ Aviso – Perigo de ferimentos!

O queimador normal não é indicado para a utilização do anel do wok e de uma frigideira wok. A frigideira wok não ficaria estável e poderia virar-se. Nunca coloque o anel do wok sobre o queimador normal.

Indicações sobre o recipiente para cozinhar

As indicações que se seguem ajudam-nos a economizar energia e a evitar danos nos recipientes usados para cozinhar.

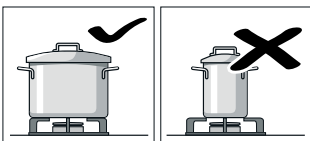
Tachos/panelas adequados

| Queimador | Diâmetro recomendado do fundo da panela | Diâmetro mínimo do fundo da panela |
|--------------------|--|------------------------------------|
| Queimador para wok | 240 - 300 mm | 160 mm |
| | Utilize a frigideira wok apenas com o anel do wok. | |

Não utilize panelas com diâmetro inferior a 160 mm nem superior a 300 mm.

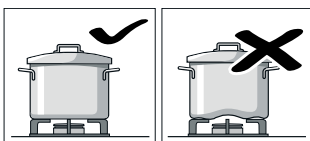
Respeite uma distância mínima de 50 mm entre o recipiente para cozinhar e utensílios inflamáveis. Respeite uma distância mínima de 50 mm entre os comandos ou o painel de comandos e a panela ou a frigideira. O recipiente para cozinhar não pode ficar encostado ao painel de comandos ou ao comando. O recipiente para cozinhar não pode sobressair da margem da placa.

Instruções de utilização



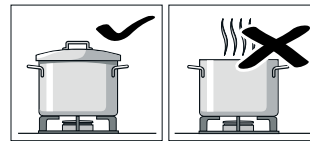
Utilize tachos/panelas de tamanho adequado para o respectivo queimador.

Não utilize tachos/panelas mais pequenos nos queimadores grandes. A chama não deverá tocar nas partes laterais dos tachos/panelas.

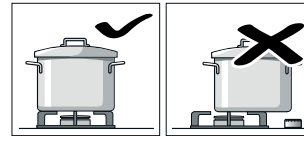


Não use tachos/panelas que não tenham um apoio estável sobre a placa de fogão, pois estes poderão tombar.

Utilize apenas tachos/panelas com uma base plana e espessa.

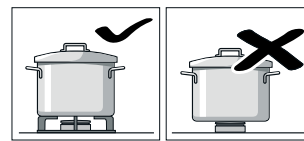


Não cozinhe com panelas destapadas ou com o testro parcialmente colocado. Grande parte da energia é desperdiçada.



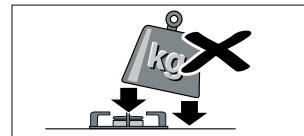
Coloque o tacho/panela centrado sobre o queimador, caso contrário pode tombar.

Não coloque panelas grandes sobre os queimadores próximos das guarnições. Estes podem sobreaquecer e, conseqüentemente, sofrer danos.



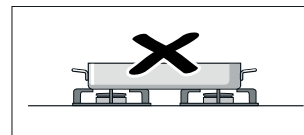
Coloque os tachos sobre os apoios, nunca directamente sobre os queimadores.

Antes da utilização, certifique-se de que os apoios e as tampas dos queimadores estão bem assentes.



Manuseie os recipientes que se encontram sobre a placa de fogão com muito cuidado.

Não bata na placa de fogão nem coloque objectos pesados sobre a mesma.



Nunca aqueça um recipiente (como por ex. uma assadeira, frigideira, pedra de grill) com vários queimadores. A acumulação de calor daí resultante danifica o aparelho.

Limpeza e manutenção

⚠️ Aviso – Perigo de choque eléctrico!

A humidade que se infiltra no aparelho pode dar origem a um choque eléctrico. Não utilize aparelhos de limpeza a alta pressão ou de limpeza a vapor.

⚠️ Aviso – Perigo de queimaduras!

As peças que se encontram acessíveis ficam quentes durante o funcionamento do aparelho. Nunca toque nas peças quentes. Manter fora do alcance das crianças.

Atenção!

Danos na superfície

Não usar estes produtos de limpeza

- Produtos abrasivos ou agressivos
- Limpador de fornos
- Produtos corrosivos, agressivos ou com cloro
- Produtos com elevado teor alcoólico
- Esponjas duras e abrasivas, escovas ou esfregões

Se um destes produtos entrar em contacto com o aparelho, limpe-o imediatamente com água.

Os panos de cozinha novos devem ser sempre muito bem enxaguados antes de serem utilizados!

Limpeza do aparelho

Limpe o aparelho depois de o usar, quanto tiver arrefecido. Remova sempre de imediato líquidos derramados, não deixando que os restos de alimentos queimem.

Seque bem os queimadores após a limpeza. Apenas coloque o aparelho em funcionamento quando os queimadores estiverem secos. Queimadores húmidos causam problemas na ignição ou instabilidade na chama.

Durante a montagem, respeite o posicionamento correto das peças do queimador (linguetas de bloqueio). Todas as peças têm de estar em linha reta.

| Parte do aparelho/ Superfície | Limpeza recomendada |
|----------------------------------|---|
| Superfícies de aço inoxidável | <p>Solução à base de detergente – seque com um pano macio. Use pouca água na limpeza, pois não pode entrar água no aparelho.</p> <p>Deixe o detergente a atuar com um pouco de água nos pontos incrustados, sem esfregar.</p> <p>Remova a sujidade mais forte ou o amarelamento causado pelo calor com o nosso produto de limpeza para aço inoxidável (ref. 00311499).</p> |
| Grelha, anel wok | <p>Remova com cuidado para efeitos de limpeza. Deixe de molho água no lava-loiça. Limpe com escova e detergente.</p> <p>Limpe com cuidado a área em borracha, para que esta não se solte.</p> <p>Enxague com água limpa e seque antes da colocação.</p> <p>Pode também limpar o suporte para panelas na máquina de lavar loiça. Nesse caso, o suporte para panelas pode ficar com uma cor mais clara. Isto não tem qualquer influência na utilização.</p> |
| Peças do queimador | <p>Solução à base de detergente – seque com um pano macio. Certifique-se de que os orifícios não estão entupidos.</p> <p>Preste atenção para não perder as peças pequenas.</p> <p>Não lave na máquina de lavar loiça!</p> |
| Painel de comandos | <p>Solução à base de detergente – o pano não pode estar demasiado molhado. Seque com um pano macio.</p> |
| Comandos | <p>Solução à base de detergente – o pano não pode estar demasiado molhado. Seque com um pano macio.</p> <p>Atenção! Danos no aparelho Não retire os comandos para a limpeza.</p> |

Sujidade incrustada

Para remover a sujidade difícil e incrustada, é possível encomendar na nossa loja online, em lojas especializadas ou através do nosso serviço de apoio ao cliente um gel de limpeza (Ref. 00311859). Este é adequado para grelhas e placas de aço inoxidável. Se necessário, deixe atuar durante a noite. Respeite as instruções do produto de limpeza.

Atenção!

Danos na superfície

Não aplique o gel de limpeza nas peças do queimador, no painel de comandos nem nos comandos.

Descoloração dos queimadores

Com a utilização continuada, as peças dos queimadores em latão escurecem devido a um processo natural de oxidação. Esta alteração da cor não afeta a respetiva utilização.

Anomalias, o que fazer?

Aviso – Perigo de choque eléctrico!

As reparações indevidas são perigosas. As reparações só podem ser efectuadas por técnicos especializados do serviço de assistência técnica. Se o aparelho estiver avariado, puxe a ficha da tomada ou desligue o disjuntor no quadro eléctrico. Contacte o serviço de assistência técnica.

As anomalias são, muitas vezes, simples de resolver. Antes de contactar o Serviço de Assistência Técnica, tenha em atenção as indicações da tabela.

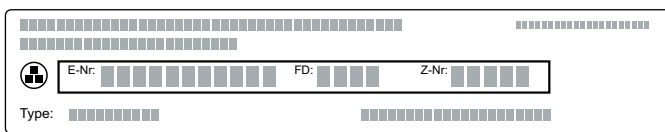
| Falha | Possível causa | Solução |
|--|--|---|
| Falha no sistema electrónico geral. | O fusível disparou. | Verificar no quadro eléctrico se o fusível disparou. |
| A ignição eléctrica não funciona. | É possível que se encontrem resíduos de alimentos ou produtos de limpeza entre as velas de ignição e os queimadores. | O espaço entre a vela de ignição e o queimador tem de estar limpo. |
| | Os queimadores estão molhados. | Limpar bem as tampas dos queimadores. |
| | As tampas dos queimadores não estão colocadas correctamente. | Verificar se as tampas estão colocadas correctamente. |
| Chama irregular | Falha de energia | Acender o queimador manualmente. |
| | Os componentes dos queimadores não estão colocados correctamente. | Colocar os componentes dos queimadores correctamente. |
| O fluxo de gás não aparenta ser normal, ou não sai gás nenhum. | As aberturas do queimador apresentam sujidade. | Limpar as aberturas do queimador. |
| | As válvulas intermédias estão fechadas. | Abrir as válvulas intermédias. |
| Cheira a gás na cozinha. | Em caso de utilização de uma botija de gás, certifique-se de que a mesma não está vazia. | Substituir a botija de gás. |
| | Possível fuga no ponto de ligação da botija de gás. | Verificar a estanqueidade do ponto de ligação da botija de gás. |
| O queimador apaga-se imediatamente após a ignição. | Não manteve o botão de comando premido o tempo suficiente. | Depois de acender o queimador, manter o botão de comando premido durante alguns segundos. Premir com força. |
| | As aberturas do queimador apresentam sujidade. | Limpar as aberturas do queimador. |

Assistência Técnica

Se o seu aparelho precisar de ser reparado, tem à sua disposição o nosso Serviço de Assistência Técnica. Encontramos sempre uma solução adequada, para evitar deslocações dispensáveis de técnicos da assistência técnica.

Número E e número FD

Quando efetuar a chamada, indique o número completo de produto (N.º E) e o número de fabrico (N.º FD) do aparelho para podermos prestar um serviço de qualidade. A placa de características onde constam estas referências encontra-se na parte de baixo do aparelho.



Para que, em caso de necessidade, não perca tempo a procurar, poderá inserir aqui os dados do seu aparelho e o número de telefone da assistência técnica.

N.º E

N.º FD

Assistência Técnica ☎

Tenha em atenção que a deslocação do técnico da assistência não é gratuita em caso de utilização incorreta do aparelho, mesmo durante o período de garantia.

Os dados para contacto com todos os países encontram-se no índice dos Serviços Técnicos anexo.

Ordem de reparação e apoio em caso de anomalias

PT 21 4250 790

Confie na competência do fabricante. Terá assim a garantia que a reparação é efectuada por técnicos especializados do Serviço de Assistência Técnica, equipados com peças de substituição originais para o seu electrodoméstico.

Πίνακας περιεχομένων

| | |
|---|-----------|
| Χρήση σύμφωνα με το σκοπό προορισμού | 43 |
| Σημαντικές υποδείξεις ασφαλείας | 44 |
| Αιτίες των ζημιών | 47 |
| Προστασία περιβάλλοντος | 47 |
| Εξοικονόμηση ενέργειας | 47 |
| Απόσυρση σύμφωνα με τους κανόνες προστασίας του περιβάλλοντος | 47 |
| Γνωρίστε τη συσκευή | 48 |
| Βάση εστιών αερίου | 48 |
| Ένδειξη στο φωτεινό δακτύλιο | 48 |
| Ειδικός εξοπλισμός | 48 |
| Ξεχωριστά εξαρτήματα του καυστήρα Wok | 49 |
| Χειρισμός της συσκευής | 49 |
| Ενεργοποίηση | 49 |
| Ανάφλεξη με το χέρι | 50 |
| Θερμοηλεκτρική επιτήρηση της φλόγας | 50 |
| Απενεργοποίηση | 50 |
| Ένδειξη υπόλοιπης θερμότητας | 50 |
| Πίνακας ρύθμισης και συμβουλές | 51 |
| Συμβουλές για το μαγείρεμα και το ψήσιμο | 51 |
| Συμβουλές για το Wok | 51 |
| Υποδείξεις για τα μαγειρικά σκεύη | 52 |
| Κατάλληλα μαγειρικά σκεύη | 52 |
| Υποδείξεις χρήσης | 52 |
| Καθαρισμός και συντήρηση | 53 |
| Καθαρισμός της συσκευής | 53 |
| Καμένη ρύπανση | 53 |
| Αλλαγή χρώματος των καυστήρων | 54 |
| Βλάβες, τι μπορεί να γίνει | 54 |
| Υπηρεσία εξυπηρέτησης πελατών | 55 |
| Αριθμός E και αριθμός FD | 55 |

Περαιτέρω πληροφορίες για τα προϊόντα, τα εξαρτήματα, τα ανταλλακτικά και το σέρβις θα βρείτε στο διαδίκτυο (Internet): www.gaggenau.com και στο online-shop: www.gaggenau.com/zz/store

⚠ Χρήση σύμφωνα με το σκοπό προορισμού

Διαβάστε προσεκτικά αυτές τις οδηγίες. Μόνο τότε μπορείτε να χειριστείτε τη συσκευή σίγουρα και σωστά. Φυλάξτε τις οδηγίες χρήσης και συναρμολόγησης για μια αργότερη χρήση ή για τον επόμενο ιδιοκτήτη.

Αυτή η συσκευή προορίζεται μόνο για την τοποθέτηση. Προσέξτε τις ειδικές οδηγίες συναρμολόγησης.

Η παρούσα συσκευή πρέπει να εγκατασταθεί σύμφωνα με τις οδηγίες εγκατάστασης που περιλαμβάνονται.

Μετά την αφαίρεση από τη συσκευασία, ελέγξτε τη συσκευή. Σε περίπτωση ζημιάς κατά τη μεταφορά μην την συνδέσετε.

Μόνο ένας αδειούχος εγκαταστάτης επιτρέπεται να συνδέσει τη συσκευή. Σε περίπτωση ζημιών που οφείλονται σε λάθος σύνδεση, δεν έχετε κανένα δικαίωμα εγγύησης. Για τη μετατροπή σε ένα άλλο είδος αερίου καλέστε την υπηρεσία τεχνικής εξυπηρέτησης πελατών.

Αυτή η συσκευή προορίζεται μόνο για την οικιακή χρήση και το οικιακό περιβάλλον. Χρησιμοποιείτε τη συσκευή μόνο για την παρασκευή φαγητών και ποτών, ποτέ ως συσκευή θέρμανσης. Κατά τη διάρκεια της λειτουργίας επιτηρείτε τη συσκευή. Χρησιμοποιείτε τη συσκευή μόνο σε έναν εσωτερικό χώρο.

Μην τοποθετείτε αυτή τη συσκευή σε σκάφη ή σε οχήματα.

Αυτή η συσκευή προορίζεται για χρήση μέχρι ένα μέγιστο ύψος 4.000 μέτρων πάνω από την επιφάνεια της θάλασσας.

Αυτή η συσκευή δεν προορίζεται για τη λειτουργία με έναν εξωτερικό χρονοδιακόπτη ή ένα τηλεχειριστήριο.

Μη χρησιμοποιείτε κανένα κάλυμμα βάσης εστιών. Αυτά μπορεί να οδηγήσουν σε ατυχήματα, π.χ. από υπερθέρμανση, ανάφλεξη ή θραύση υλικών.

Χρησιμοποιείτε μόνο τις εγκεκριμένες από εμάς διατάξεις προστασίας ή τα εγκεκριμένα προστατευτικά πλέγματα παιδιών. Οι ακατάλληλες διατάξεις προστασίας ή τα ακατάλληλα προστατευτικά πλέγματα παιδιών μπορεί να οδηγήσουν σε ατυχήματα.

Αυτή η συσκευή επιτρέπεται να χρησιμοποιηθεί από παιδιά από 8 ετών και πάνω και από άτομα με μειωμένες φυσικές, αισθητήριες ή πνευματικές ικανότητες ή με ανεπαρκή εμπειρία ή γνώση, όταν επιτηρούνται από ένα άτομο που είναι υπεύθυνο για την ασφάλειά τους ή έχουν λάβει σχετικές οδηγίες απ' αυτό για την ασφαλή χρήση της συσκευής και έχουν κατανοήσει τους κινδύνους που μπορεί να προκύψουν.

Τα παιδιά δεν επιτρέπεται να παίζουν με τη συσκευή. Ο καθαρισμός και η συντήρηση από το χρήστη δεν επιτρέπεται να πραγματοποιηθούν από παιδιά, εκτός εάν είναι 15 ετών και άνω και επιτηρούνται.

Κρατάτε τα παιδιά που είναι κάτω των 8 ετών μακριά από τη συσκευή και το καλώδιο σύνδεσης.

Κλείστε τη βαλβίδα ασφαλείας στον αγωγό παροχής αερίου, όταν η συσκευή δε βρίσκεται σε λειτουργία για περισσότερο χρόνο.

⚠ Σημαντικές υποδείξεις ασφαλείας

⚠ Προειδοποίηση – ΣΥΜΠΕΡΙΦΟΡΑ ΣΕ ΠΕΡΙΠΤΩΣΗ ΟΣΜΗΣ ΑΕΡΙΟΥ!

Το αέριο που διαρρέει μπορεί να οδηγήσει σε έκρηξη.

Εάν αντιληφθείτε οσμή αερίου ή βλάβες στην εγκατάσταση αερίου:

- Κλείστε αμέσως την παροχή αερίου ή τη βαλβίδα της μπουκάλας αερίου.
- Σβήστε αμέσως οποιαδήποτε ανοιχτή φωτιά και τα τσιγάρα.
- Μην πατήσετε άλλο το διακόπτη φωτός και το διακόπτη συσκευής, μην αφαιρέσετε κανέναν ρευματολήπτη (φίς) από την πρίζα. Μην χρησιμοποιήσετε κανένα σταθερό ή κινητό τηλέφωνο στο σπίτι.
- Ανοίξτε τα παράθυρα και εξαερίστε καλά το δωμάτιο.
- Καλέστε την υπηρεσία τεχνικής εξυπηρέτησης πελατών ή την επιχείρηση παροχής αερίου.

⚠ Προειδοποίηση – Κίνδυνος ασφυξίας!

Η χρήση μιας συσκευής μαγειρέματος αερίου οδηγεί στη δημιουργία θερμότητας, υγρασίας και προϊόντων καύσης στο χώρο τοποθέτησης. Προσέχετε για τον καλό αερισμό του χώρου τοποθέτησης. Τα φυσικά ανοίγματα αερισμού πρέπει να διατηρούνται ανοιχτά ή πρέπει να προβλέπεται μια μηχανική διάταξη αερισμού (π.χ. ένας απορροφητήρας). Μια εντατική και μακρόχρονη χρήση της συσκευής μπορεί να καταστήσει αναγκαίο έναν πρόσθετο αερισμό, π.χ. άνοιγμα ενός παραθύρου, ή έναν αποτελεσματικότερο αερισμό, π.χ. λειτουργία της υπάρχουσας μηχανικής διάταξης αερισμού σε υψηλότερη βαθμίδα ισχύος.

⚠ Προειδοποίηση – Κίνδυνος πυρκαγιάς!

- Το καυτό λάδι και λίπος αναφλέγονται γρήγορα. Μην αφήνετε ποτέ καυτό λάδι και λίπος χωρίς παρακολούθηση. Μην σβήνετε ποτέ μια φωτιά με νερό. Απενεργοποιήστε την εστία μαγειρέματος. Σβήστε τις φλόγες προσεκτικά με ένα καπάκι, μια κουβέρτα πυρόσβεσης ή κάτι παρόμοιο.
- Οι εστίες μαγειρέματος ζεσταίνονται πάρα πολύ. Μην ακουμπάτε ποτέ εύφλεκτα αντικείμενα πάνω στη βάση εστιών. Μην τοποθετείτε αντικείμενα πάνω στη βάση εστιών.
- Η συσκευή ζεσταίνεται πολύ, τα εύφλεκτα υλικά μπορούν να αναφλεγούν. Μην αποθηκεύετε ή μη χρησιμοποιείτε ποτέ εύφλεκτα αντικείμενα (π.χ. κουτιά σπρέι, υγρά καθαρισμού) κάτω από τη συσκευή ή πολύ κοντά της. Μην τοποθετείτε ποτέ εύφλεκτα αντικείμενα πάνω ή μέσα στη συσκευή.
- Η συσκευή ζεσταίνεται πάρα πολύ, τα υφάσματα και άλλα αντικείμενα μπορεί να αναφλεγούν. Κρατάτε τα υφάσματα (π.χ. ρούχα, κουρτίνες) μακριά από φλόγες. Μην πιάνετε ποτέ πάνω από τις φλόγες. Μην τοποθετείτε εύφλεκτα αντικείμενα (π.χ. πετσέτα κουζίνας, εφημερίδες) πάνω, δίπλα ή πίσω από τη συσκευή.
- Οι εστίες μαγειρέματος αερίου, χωρίς τοποθετημένα πάνω μαγειρικά σκεύη, δημιουργούν κατά τη λειτουργία μεγάλη θερμότητα. Η συσκευή και ένας από πάνω τοποθετημένος απορροφητήρας μπορούν να υποστούν ζημιά ή να πιάσουν φωτιά. Τα υπολείμματα λίπους στο φίλτρο του απορροφητήρα μπορούν να αναφλεγούν. Λειτουργείτε τις εστίες μαγειρέματος αερίου μόνο με τοποθετημένα πάνω μαγειρικά σκεύη.

- Εάν ο καυστήρας δεν ανάψει μετά από 15 δευτερόλεπτα, κλείστε το κουμπί χειρισμού και ανοίξτε την πόρτα ή το παράθυρο του δωματίου. Περιμένετε το λιγότερο ένα λεπτό, προτού ανάψετε ξανά τον καυστήρα.

⚠ Προειδοποίηση – Κίνδυνος εγκαύματος!

- Η συσκευή θερμαίνεται πολύ κατά τη διάρκεια της λειτουργίας. Πριν τον καθαρισμό αφήστε τη συσκευή να κρυώσει.
- Οι εστίες μαγειρέματος και το περιβάλλον τους, ιδιαίτερα ένα πλαίσιο του πεδίου μαγειρέματος που ενδεχομένως υπάρχει, ζεσταίνονται πάρα πολύ. Μην ακουμπήσετε ποτέ τις καυτές επιφάνειες. Κρατάτε τα παιδιά μακριά.
- Τα προσιτά μέρη/εξαρτήματα ζεσταίνονται πάρα πολύ κατά τη λειτουργία. Μην ακουμπάτε ποτέ τα καυτά μέρη/εξαρτήματα. Κρατάτε τα παιδιά μακριά.
- Σε περίπτωση κλειστού καλύμματος της συσκευής δημιουργείται μια συσσώρευση θερμότητας. Λειτουργείτε ή ενεργοποιείτε τη συσκευή μόνο με ανοιχτό κάλυμμα συσκευής. Μην χρησιμοποιείτε το κάλυμμα της συσκευής για τη διατήρηση της θερμότητας ή την εναπόθεση. Κλείνετε το κάλυμμα της συσκευής μόνο, αφού πρώτα έχει κρυώσει η συσκευή.

Προσοχή!

Ζημιές στη συσκευή

Απομακρύνετε τα χυμένα υγρά πριν το άνοιγμα του καλύμματος της συσκευής.

- Τα άδεια μαγειρικά σκεύη στις αναμμένες εστίες μαγειρέματος αερίου θερμαίνονται πάρα πολύ. Μην θερμαίνετε ποτέ άδεια μαγειρικά σκεύη.

- Εάν η μπουκάλα υγραερίου δεν στέκεται κάθετα, μπορεί να εισχωρήσει υγρό προπάνιο/βουτάνιο στη συσκευή. Σε αυτή την περίπτωση μπορούν να προκύψουν μεγάλες φλόγες στους καυστήρες. Τα εξαρτήματα μπορούν να υποστούν ζημιά και με την πάροδο του χρόνου να εμφανιστεί μια διαρροή, έτσι ώστε να εξέρχεται αέριο μη ελεγχόμενα. Και οι δύο περιπτώσεις μπορεί να οδηγήσουν σε τραυματισμούς. Χρησιμοποιείτε τις μπουκάλες υγραερίου πάντοτε σε κάθετη θέση.

⚠ Προειδοποίηση – Κίνδυνος τραυματισμού!

- Οι ακατάλληλες επισκευές είναι επικίνδυνες. Μόνο ένας τεχνικός του τμήματος εξυπηρέτησης πελατών, εκπαιδευμένος από εμάς, επιτρέπεται να εκτελέσει τις επισκευές και να αντικαταστήσει τα χαλασμένα ηλεκτρικά καλώδια και τους σωλήνες παροχής αερίου. Εάν η συσκευή έχει βλάβη, τραβήξτε το ρευματολήπτη (φίς) από την πρίζα ή κατεβάστε/ξεβιδώστε την αντίστοιχη ασφάλεια στο κιβώτιο των ασφαλειών, κλείστε την παροχή αερίου. Καλέστε την υπηρεσία τεχνικής εξυπηρέτησης πελατών.
- Οι βλάβες ή οι ζημιές στη συσκευή είναι επικίνδυνες. Μην ενεργοποιείτε ποτέ μια χαλασμένη συσκευή. Τραβήξτε το ρευματολήπτη (φίς) από την πρίζα ή κατεβάστε/ξεβιδώστε την ασφάλεια στο κιβώτιο των ασφαλειών. Κλείστε την παροχή αερίου. Καλέστε την υπηρεσία τεχνικής εξυπηρέτησης πελατών.
- Το ακατάλληλο μέγεθος των κατσαρολών, χαλασμένες ή λάθος τοποθετημένες κατσαρόλες μπορούν να προκαλέσουν σοβαρούς τραυματισμούς. Προσέξτε τις υποδείξεις για τα μαγειρικά σκεύη.

⚠ Προειδοποίηση – Κίνδυνος ηλεκτροπληξίας!

- Στα καυτά μέρη της συσκευής μπορεί να λιώσει η μόνωση των καλωδίων των ηλεκτρικών συσκευών. Τα καλώδια σύνδεσης των ηλεκτρικών συσκευών δεν επιτρέπεται να έρθουν ποτέ σε επαφή με τα καυτά μέρη της συσκευής.
- Μια εισχώρηση υγρασίας μπορεί να προκαλέσει μια ηλεκτροπληξία. Μη χρησιμοποιείτε συσκευές καθαρισμού υψηλής πίεσης ή συσκευές εκτόξευσης ατμού.
- Μια ελαττωματική συσκευή μπορεί να προκαλέσει μια ηλεκτροπληξία. Μην ενεργοποιείτε ποτέ μια χαλασμένη συσκευή. Τραβήξτε το φως από την πρίζα ή κατεβάστε την ασφάλεια στο κιβώτιο των ασφαλειών. Καλέστε την υπηρεσία εξυπηρέτησης πελατών.
- Οι ακατάλληλες επισκευές είναι επικίνδυνες. Οι επισκευές επιτρέπεται να γίνονται μόνο από έναν τεχνικό του τμήματος εξυπηρέτησης πελατών, εκπαιδευμένο από εμάς. Εάν η συσκευή έχει βλάβη, τραβήξτε το ρευματολήπτη (φως) από την πρίζα ή κατεβάστε/ξεβιδώστε την ασφάλεια στο κιβώτιο των ασφαλειών. Καλέστε την υπηρεσία τεχνικής εξυπηρέτησης πελατών.

Αιτίες των ζημιών

- Προσοχή!:** –**Ζημιές λόγω θερμότητας στις γειτονικές συσκευές ή ντουλάπια:** Εάν λειτουργεί η συσκευή για μεγαλύτερο χρονικό διάστημα, δημιουργείται θερμότητα και υγρασία. Ένας πρόσθετος αερισμός είναι απαραίτητος. Ανοίξτε ένα παράθυρο ή ενεργοποιήστε έναν απορροφητήρα με απαγωγή προς τα έξω.
- **Ζημιές στη συσκευή από τη συσσώρευση της θερμότητας:** Μη ζεστώνετε ψηλές φόρμες, τηγάνια ή πλάκες ψησίματος ταυτόχρονα με περισσότερους καυστήρες.
 - **Λειτουργική βλάβη:** Γυρνάτε το κουμπί χειρισμού πάντοτε στη θέση μηδέν, όταν η συσκευή δε βρίσκεται σε λειτουργία.

Προστασία περιβάλλοντος

Εδώ θα βρείτε συμβουλές για την εξοικονόμηση ενέργειας και υποδείξεις για την απόσυρση των συσκευών.

Εξοικονόμηση ενέργειας

- Επιλέγετε τον καυστήρα ανάλογα με το μέγεθος της κατσαρόλας. Τοποθετείτε το μαγειρικό σκεύος στη μέση.
- Χρησιμοποιείτε για μικρές ποσότητες μια μικρή κατσαρόλα. Μια μεγάλη, μόνο λίγο γεμάτη κατσαρόλα χρειάζεται πολύ ενέργεια.
- Κλείνετε τις κατσαρόλες πάντοτε μ' ένα κατάλληλο καπάκι. Το μαγείρεμα χωρίς καπάκι καταναλώνει πολύ περισσότερη ενέργεια. Χρησιμοποιήστε ένα γυάλινο καπάκι, για να μπορείτε να ρίχνετε μια ματιά στην κατσαρόλα, χωρίς να χρειαστεί να σηκώσετε το καπάκι.
- Μαγειρεύετε με λίγο νερό. Αυτό εξοικονομεί ενέργεια. Στα λαχανικά διατηρούνται οι βιταμίνες και οι ανόργανες ουσίες.
- Ρυθμίστε έγκαιρα μια χαμηλότερη βαθμίδα μαγειρέματος. Έτσι εξοικονομείτε ενέργεια.

Απόσυρση σύμφωνα με τους κανόνες προστασίας του περιβάλλοντος

Αποσύρετε τη συσκευασία σύμφωνα με τους κανόνες προστασίας του περιβάλλοντος.

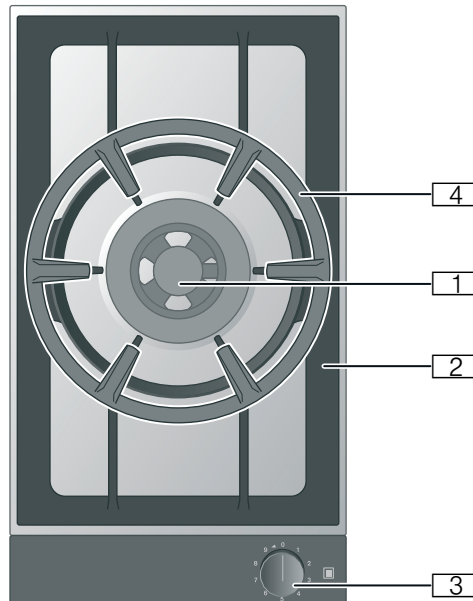


Αυτή η συσκευή χαρακτηρίζεται σύμφωνα με την ευρωπαϊκή οδηγία 2012/19/ΕΕ περί ηλεκτρικών και ηλεκτρονικών συσκευών (waste electrical and electronic equipment - WEEE).

Η οδηγία προκαθορίζει τα πλαίσια για μια απόσυρση και αξιοποίηση των παλιών συσκευών με ισχύ σ' όλη την ΕΕ.

Γνωρίστε τη συσκευή

Βάση εστιών αερίου



- 1 Καυστήρας Wok 6,0/5,8 kW
- 2 Φορέας μαγειρικών σκευών
- 3 Κουμπιά χειρισμού
0 = Εστία μαγειρέματος απενεργοποιημένη
Βαθμίδα μαγειρέματος 1 = ελάχιστη ισχύς
Βαθμίδα μαγειρέματος 9 = μέγιστη ισχύς
◀ Κατεύθυνση περιστροφής για την ενεργοποίηση
- 4 Δακτύλιος Wok

Ένδειξη στο φωτεινό δακτύλιο

Το κουμπι χειρισμού διαθέτει έναν φωτεινό δακτύλιο με διάφορες δυνατότητες ένδειξης.

| Ένδειξη | Σημασία |
|-------------------------------|---|
| ○ Off | Συσκευή OFF |
| ● Ανάβει: πορτοκαλί | Συσκευή ON |
| ● Αναβοσβήνει αργά: πορτοκαλί | Συσκευή OFF Ένδειξη υπόλοιπης θερμότητας |
| ☀ Αναβοσβήνει: πορτοκαλί | Σφάλμα συσκευής Καλέστε την υπηρεσία εξυπηρέτησης πελατών! |

Ειδικός εξοπλισμός

Τα ακόλουθα εξαρτήματα μπορείτε να τα παραγγείλετε μέσω του ειδικού καταστήματος πώλησης:

WP 400 001 Τηγάνι Wok από υλικό πολλαπλών στρώσεων. Με κυρτό πάτο και λαβή, Ø 36 cm, 6 λίτρα, ύψος 10 cm.

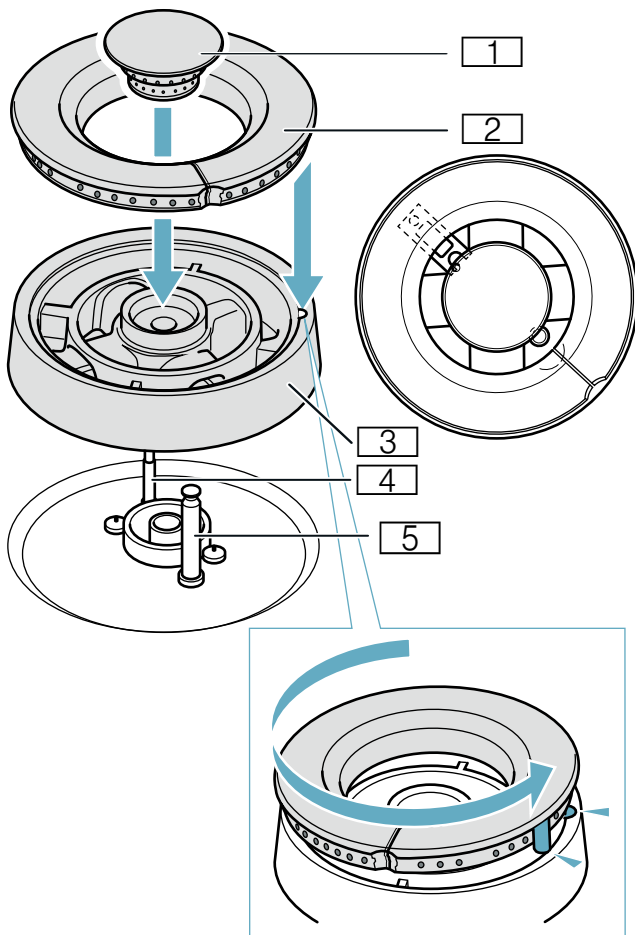
Χρησιμοποιείτε τα εξαρτήματα μόνο, όπως αναφέρεται. Ο κατασκευαστής δεν ευθύνεται, όταν τα εξαρτήματα έχουν χρησιμοποιηθεί λάθος.

Υπόδειξη: Σε περίπτωση συναρμολογημένου καλύμματος της συσκευής VD 200 πρέπει, όταν η συσκευή κρυσώσει, πριν το κλείσιμο του καλύμματος της συσκευής να γυρίσετε τη σχάρα των μαγειρικών σκευών του καυστήρα Wok.

Ξεχωριστά εξαρτήματα του καυστήρα Wok

Τοποθετήστε τα ξεχωριστά εξαρτήματα του καυστήρα Wok με ακρίβεια και επίπεδα, διαφορετικά μπορεί να προκύψουν δυσλειτουργίες κατά την ανάφλεξη ή κατά τη διάρκεια της λειτουργίας. Τοποθετήστε την κεφαλή του καυστήρα έτσι, ώστε το θερμοστοιχείο να βρίσκεται στην αντίστοιχη εγκοπή στην κεφαλή του καυστήρα. Το δόντι ασφάλισης στο δακτύλιο του καυστήρα πρέπει να ασφαλίσει στην αντίστοιχη εγκοπή στην κεφαλή του καυστήρα.

Υπόδειξη: Σε περίπτωση λοξά τοποθετημένων εξαρτημάτων του καυστήρα δε λειτουργεί η συσκευή.



- 1** Καπάκι καυστήρα
- 2** Δακτύλιος καυστήρα
- 3** Κεφαλή καυστήρα
- 4** Θερμοστοιχείο
- 5** Αναφλεκτήρας

Χειρισμός της συσκευής

Υποδείξεις

- Χρησιμοποιείτε μόνο τα προβλεπόμενα εξαρτήματα. Μην καλύψετε τη βάση εστιών αερίου από ανοξείδωτο χάλυβα (π.χ. με αλουμινοχαρτό).
- Μην καλύψετε τα ανοίγματα αερισμού στην πίσω πλευρά της κονσόλας χειρισμού.
- Ο καυστήρας και ο αναφλεκτήρας πρέπει να είναι καθαρός και στεγνός.
- Ανάψτε τις εστίες μαγειρέματος μόνο, όταν οι σχάρες των μαγειρικών σκευών και όλα τα εξαρτήματα του καυστήρα είναι τοποθετημένα σωστά.
- Πιέστε μέσα δυνατά μέχρι τέρμα το κουμπί χειρισμού για την ανάφλεξη και κρατήστε το πατημένο, μετά στρέψτε το στην επιθυμητή θέση.
- Μετά την ανάφλεξη κρατήστε πατημένο το κουμπί χειρισμού περίπου 2 έως 4 δευτερόλεπτα, επειδή ο αισθητήρας θερμοκρασίας, ο οποίος ανοίγει τη διέλευση του αερίου, πρέπει πρώτα να ζεσταθεί.
- Σε περίπτωση που η φλόγα δεν ανάψει μέσα σε 2 έως 4 δευτερόλεπτα, γυρίστε το κουμπί χειρισμού προς τα αριστερά στη μικρή φλόγα και μετά την ανάφλεξη γυρίστε το ξανά στη μεγάλη φλόγα. Μια ανάφλεξη στη μικρή φλόγα είναι συχνά γρηγορότερα δυνατή, επειδή τα διάφορα αέρια διαθέτουν μια διαφορετική συμπεριφορά ανάφλεξης.
- Κατά την ανάφλεξη ενός καυστήρα δημιουργείται σε όλους τους καυστήρες ένας σπινθήρας ανάφλεξης.
- Μην αγγίζετε τον αναφλεκτήρα κατά τη διάρκεια της ανάφλεξης της συσκευής αερίου.
- Προσέξτε για πολύ μεγάλη καθαριότητα. Εάν οι αναφλεκτήρες είναι λερωμένοι, μπορεί να προκύψει μια ελαττωματική ανάφλεξη. Καθαρίζετε τακτικά τους αναφλεκτήρες με μια μικρή, μη μεταλλική βούρτσα. Προσέχετε, οι αναφλεκτήρες να μην εκτεθούν σε ισχυρούς κραδασμούς.

Ενεργοποίηση

Αυτή η συσκευή είναι εξοπλισμένη με μια βηματική βαλβίδα. Τα μαρκαρίσματα στο κουμπί χειρισμού σας δείχνουν την ισχύ της βαθμίδας μαγειρέματος 1 έως 9.

Η βάση εστιών αερίου διαθέτει αναφλεκτήρες για την ηλεκτρική ανάφλεξη.

- 1** Τοποθετήστε ένα κατάλληλο μαγειρικό σκεύος πάνω στη σχάρα της εστίας.
- 2** Πιέστε το κουμπί χειρισμού του επιλεγμένου καυστήρα και γυρίστε το προς τα αριστερά στην επιθυμητή βαθμίδα μαγειρέματος.
Ο καυστήρας ανάβει αυτόματα.

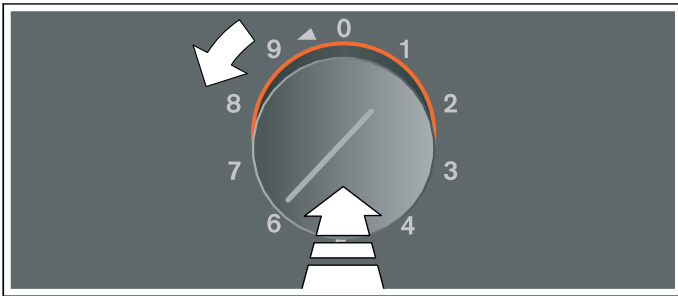
Στρέφοντας το κουμπί χειρισμού, μπορείτε να ρυθμίσετε τη βαθμίδα μαγειρέματος.

Προσοχή! Ζημιές στη συσκευή

Μη δοκιμάσετε ποτέ, να γυρίσετε το κουμπί χειρισμού από τη θέση 0 απευθείας στη θέση 1 ή από τη θέση 1 απευθείας στη θέση 0. Έτσι προκαλείται ζημιά στη βηματική βαλβίδα.

⚠ Προειδοποίηση – Κίνδυνο φερκτική ανάφλεξης!

Εάν ο καυστήρας δεν ανάψει μετά από 15 δευτερόλεπτα, κλείστε το κουμπί χειρισμού και ανοίξτε την πόρτα ή το παράθυρο του δωματίου. Περιμένετε το λιγότερο ένα λεπτό, προτού ανάψετε ξανά τον καυστήρα.



Ανάφλεξη με το χέρι

Σε περίπτωση μιας διακοπής ρεύματος μπορείτε να ανάψετε τους καυστήρες επίσης με το χέρι.

- 1 Τοποθετήστε ένα κατάλληλο μαγειρικό σκεύος πάνω στη σχάρα της εστίας.
- 2 Πιέστε το κουμπί χειρισμού του επιλεγμένου καυστήρα και γυρίστε το προς τα αριστερά στην επιθυμητή βαθμίδα μαγειρέματος. Κρατήστε το κουμπί χειρισμού πατημένο.
- 3 Ανάψτε τον καυστήρα με έναν αναπτήρα αερίου ή ένα σπέρτο. Κρατήστε πατημένο το κουμπί χειρισμού για μερικά δευτερόλεπτα μετά την ανάφλεξη.

Υπόδειξη: Η ένδειξη στον φωτεινό δακτύλιο παραμένει σβηστή.

Θερμοηλεκτρική επιτήρηση της φλόγας

Για τη δική σας ασφάλεια η βάση εστιών είναι εξοπλισμένη με μια θερμοηλεκτρική επιτήρηση της φλόγας. Αυτή εμποδίζει τη διαρροή του αερίου, σε περίπτωση που ο καυστήρας σβήσει αθέλητα κατά τη λειτουργία (π.χ. από ρεύμα του αέρα).

Όταν ο καυστήρας σβήσει αθέλητα κατά τη λειτουργία, γυρίστε το κουμπί χειρισμού στη θέση 0 και περιμένετε το λιγότερο 1 λεπτό, προτού ανάψετε ξανά τον καυστήρα.

Απενεργοποίηση

Γυρίστε το κουμπί χειρισμού προς τα δεξιά στη θέση 0.

⚠ Προειδοποίηση – Κίνδυνος εγκαύματος!

Σε περίπτωση κλειστού καλύμματος της συσκευής δημιουργείται μια συσσώρευση θερμότητας. Λειτουργείτε ή ενεργοποιείτε τη συσκευή μόνο με ανοιχτό κάλυμμα συσκευής. Μη χρησιμοποιείτε το κάλυμμα της συσκευής για τη διατήρηση της θερμότητας ή την εναπόθεση. Κλείνετε το κάλυμμα της συσκευής μόνο, αφού πρώτα έχει κρυώσει η συσκευή.

Προσοχή! Ζημιές στη συσκευή

Απομακρύνετε τα χυμένα υγρά πριν το άνοιγμα του καλύμματος της συσκευής.

Ένδειξη υπόλοιπης θερμότητας

Μετά την απενεργοποίηση ο φωτεινός δακτύλιος στο κουμπί χειρισμού αναβοσβήνει αργά με πορτοκαλί χρώμα, όσο η συσκευή είναι πολύ καυτή, για να την ακουμπήσει κανείς χωρίς κίνδυνο. Μη ακουμπήσετε τη συσκευή, όσο αναβοσβήνει η ένδειξη της υπόλοιπης θερμότητας.

Πίνακας ρύθμισης και συμβουλές

| Βαθμίδα μαγειρέματος | Διαδικασία μαγειρέματος | Παραδείγματα |
|----------------------|---|---|
| 9 | Ζέσταμα | Νερό, αραιές σούπες |
| | Ζεμάτισμα | Λαχανικά |
| 7 - 9 | Τηγάνισμα στη φριτέζα | Τηγανητές πατάτες, παρασκευάσματα |
| | Σοτάρισμα | Κρέας |
| 6 - 8 | Τηγάνισμα σε υψηλές θερμοκρασίες | Κρέας, πατάτες |
| | Συνέχιση μαγειρέματος με ανοιχτό καπάκι | Υγρά, ζυμαρικά |
| 5 - 7 | Ψήσιμο | Φαγητά με αλεύρι |
| | Τηγάνισμα σε μέτριες θερμοκρασίες | Πουλερικά, ψάρι |
| 4 - 5 | Τηγάνισμα σε χαμηλές θερμοκρασίες | Ψητά λουκάνικα, κρεμμύδια, φαγητά με αυγά |
| | Ξεπάγωμα | Κατεψυγμένα τρόφιμα |
| 4 | Σιγανό μαγείρεμα με ανοιχτό καπάκι | Κνέντελ, βραστά λουκάνικα |
| | Ζέσταμα | Λαχανικά, σούπες, γιαχνί |
| 3 - 4 | Μαγείρεμα σε κλειστό σκεύος | Ρολά κρέατος, ψητό |
| | Άχισμα | Λαχανικά |
| 2 - 4 | Συνέχιση μαγειρέματος με κλειστό καπάκι | Σούπες, λαχανικά |
| 1 | Φούσκωμα | Ρύζι, ρυζόγαλο, δημητριακά |

Συμβουλές για το μαγείρεμα και το ψήσιμο

Οι τιμές του πίνακα ρύθμισης χρησιμεύουν μόνο ως ενδεικτικές τιμές, επειδή ανάλογα με το είδος και την κατάσταση των τροφίμων καθώς επίσης και ανάλογα με το μέγεθος και την πλήρωση της κατσαρόλας είναι απαραίτητη περισσότερη ή λιγότερη θερμότητα.

Λόγω της μεγάλης ισχύος θερμαίνεται το λίπος και το λάδι γρήγορα. Μην αφήσετε το ψητό χωρίς επιτήρηση, το λίπος μπορεί να αναφλεγεί και το ψητό να καεί.

Συμβουλές για το Wok

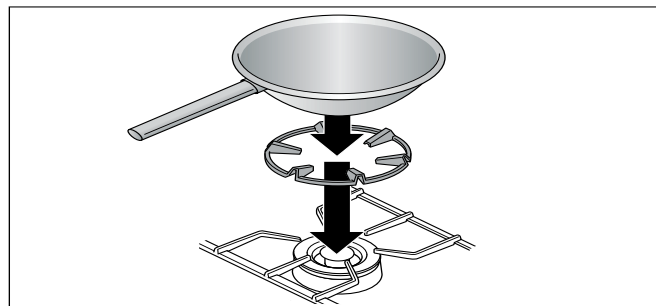
Υπόδειξη: Για το μαγείρεμα με ένα τηγάνι Wok πρέπει να τοποθετήσετε το δακτύλιο Wok πάνω από τον καυστήρα Wok στο φορέα μαγειρικών σκευών. Προσέξτε, να εδράζεται σίγουρα το τηγάνι Wok κατά το μαγείρεμα πάνω στο δακτύλιο Wok.

Σας συνιστούμε τηγάνια Wok με κυρτό πάτο. Ένα υψηλής ποιότητας τηγάνι Wok μπορείτε να παραγγείλετε ως ειδικό εξάρτημα (WP 400 001).

Χρησιμοποιήστε για το μαγείρεμα με το τηγάνι Wok μόνο πολύ θερμαινόμενο λάδι φαγητού, π.χ. φιστικέλαιο.

Μαγειρέψτε τα υλικά της συνταγής με μεγάλη θερμότητα, ανακατεύοντας συνεχώς και όχι για πολύ χρόνο. Τα λαχανικά πρέπει να είναι ακόμα λίγο σκληρά.

Χρησιμοποιήστε για το ανακάτεμα και την αφαίρεση των φαγητών καλύτερα μια ρηχή κουτάλα με μακριά λαβή από ανθεκτικό στη θερμότητα υλικό.



⚠ Προειδοποίηση – Κίνδυνος τραυματισμού!

Ο κανονικός καυστήρας δεν είναι κατάλληλος για χρήση του δακτύλιου Wok και ενός τηγανιού Wok. Το τηγάνι Wok δε στηρίζεται σταθερά και μπορεί να ανατραπεί. Μην τοποθετείτε ποτέ τον δακτύλιο Wok πάνω στον κανονικό καυστήρα.

Υποδείξεις για τα μαγειρικά σκεύη

Οι ακόλουθες υποδείξεις σας βοηθάνε, στην εξοικονόμηση ενέργειας και στην αποφυγή ζημιών στα μαγειρικά σκεύη.

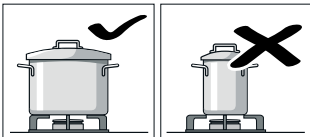
Κατάλληλα μαγειρικά σκεύη

| Καυστήρας | Συνιστούμενη διάμετρος πάτου σκεύους | Ελάχιστη διάμετρος πάτου σκεύους |
|-------------------|--|----------------------------------|
| Καυστήρας για Wok | 240 - 300 mm Χρησιμοποιήστε το τηγάνι Wok μόνο με τον δακτύλιο Wok. | 160 mm |

Σκεύη με μια διάμετρο κάτω από 160 mm ή πάνω από 300 mm δεν πρέπει να χρησιμοποιηθούν.

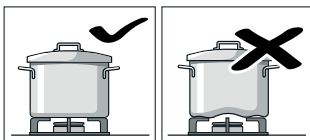
Ανάμεσα στο δοχείο μαγειρέματος και στα εύφλεκτα γύρω αντικείμενα κρατήστε μια ελάχιστη απόσταση 50 mm. Ανάμεσα στο κουμπί χειρισμού ή στην κονσόλα χειρισμού και στην κατσαρόλα ή στο τηγάνι κρατήστε μια ελάχιστη απόσταση 50 mm. Το μαγειρικό σκεύος δεν επιτρέπεται να βρίσκεται κοντά στην κονσόλα χειρισμού ή στο κουμπί χειρισμού. Το μαγειρικό σκεύος δεν επιτρέπεται να προεξέχει πέρα από το περιθώριο της βάσης εστιών.

Υποδείξεις χρήσης



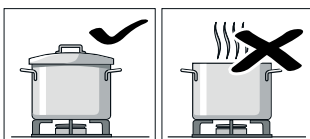
Χρησιμοποιείτε μαγειρικά σκεύη κατάλληλου μεγέθους για τον εκάστοτε καυστήρα.

Μη χρησιμοποιείτε κανένα μικρό μαγειρικό σκεύος πάνω στους μεγάλους καυστήρες. Η φλόγα δεν πρέπει να έρχεται σε επαφή με τις πλευρές των μαγειρικών σκευών.

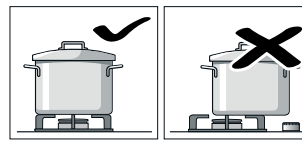


Μη χρησιμοποιείτε ένα παραμορφωμένο μαγειρικό σκεύος, το οποίο δε στέκεται σταθερά πάνω στη βάση εστιών. Τα σκεύη μπορούν να ανατραπούν.

Χρησιμοποιείτε μόνο μαγειρικά σκεύη με επίπεδους και χοντρούς πάτους.

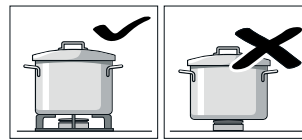


Μη μαγειρεύετε χωρίς καπάκι ή με το καπάκι μετατοπισμένο. Ένα μεγάλο μέρος της ενέργειας χάνεται.



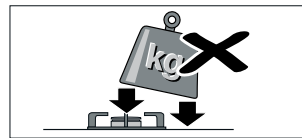
Τοποθετείτε το μαγειρικό σκεύος στη μέση πάνω από τον καυστήρα, διαφορετικά το σκεύος μπορεί να ανατραπεί.

Μην τοποθετείτε μεγάλες κατσαρόλες πάνω στους καυστήρες κοντά στα κουμπιά χειρισμού. Αυτά θα μπορούσαν να υπερθερμανθούν και έτσι να καταστραφούν.



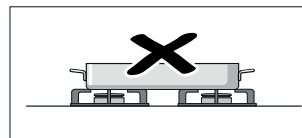
Τοποθετείτε τις κατσαρόλες πάνω στους φορείς των μαγειρικών σκευών, ποτέ απευθείας πάνω στους καυστήρες.

Πριν τη χρήση βεβαιωθείτε, ότι οι φορείς των μαγειρικών σκευών και τα καπάκια των καυστήρων αερίου έχουν τοποθετηθεί σωστά.



Να χειρίζεστε προσεκτικά τα σκεύη, που βρίσκονται πάνω στη βάση εστιών.

Μην κτυπάτε τη βάση εστιών και μην τοποθετείτε πάνω κανένα βαρύ αντικείμενο.



Μη θερμαίνετε ποτέ ένα μαγειρικό σκεύος (π.χ. ψηλή φόρμα, βαθύ ταψί, πέτρα ψησίματος γκριλ) με περισσότερους καυστήρες. Η προκύπτουσα συσσώρευση θερμότητας οδηγεί σε βλάβη στη συσκευή.

Καθαρισμός και συντήρηση

⚠ Προειδοποίηση – Κίνδυνος ηλεκτροπληξίας!

Μια εισχώρηση υγρασίας μπορεί να προκαλέσει μια ηλεκτροπληξία. Μη χρησιμοποιείτε συσκευές καθαρισμού υψηλής πίεσης ή συσκευές εκτόξευσης ατμού.

⚠ Προειδοποίηση – Κίνδυνος ζεματίσματος!

Τα προσιτά μέρη/εξαρτήματα ζεσταίνονται πάρα πολύ κατά τη λειτουργία. Μη ακουμπάτε ποτέ τα καυτά μέρη/εξαρτήματα. Κρατάτε τα παιδιά μακριά.

Προσοχή! Ζημιές στην επιφάνεια

Μη χρησιμοποιείτε αυτά τα μέσα καθαρισμού

- Δυνατά ή διαβρωτικά καθαριστικά
- Απορρυπαντικά φούρνου
- Καυστικά καθαριστικά, καθαριστικά που εμπεριέχουν χλώριο ή δραστικά καθαριστικά
- Καθαριστικά με μεγάλη αναλογία αλκοόλης
- Σκληρά ή τραχιά σφουγγάρια, βούρτσες ή σύρματα τριψίματος

Εάν ένα τέτοιο μέσο καθαρισμού έρθει σε επαφή με τη συσκευή, σκουπίστε το αμέσως με νερό.

Πριν τη χρήση πλένετε πάντοτε καλά τα νέα σφουγγάρια!

Καθαρισμός της συσκευής

Καθαρίζετε τη συσκευή μετά από κάθε χρήση, αφού πρώτα κρυώσει. Απομακρύνετε αμέσως τα ξεχειλισμένα υγρά, μην αφήσετε να καούν τα υπολείμματα φαγητού.

Στεγνώστε τους καυστήρες καλά μετά τον καθαρισμό. Θέστε τη συσκευή σε λειτουργία μόνο με στεγνούς καυστήρες. Οι υγροί καυστήρες οδηγούν σε πρόβλημα κατά την ανάφλεξη ή σε μια ασταθή φλόγα.

Κατά τη συναρμολόγηση προσέξτε στη σωστή θέση των εξαρτημάτων του καυστήρα (δόντια ασφάλισης). Όλα τα εξαρτήματα πρέπει να κάθονται επίπεδα.

Μέροςσυσκευής/ Συνιστούμενος καθαρισμός Επιφάνεια

Επιφάνειες ανοξειδωτου χάλυβα

Διάλυμα απορρυπαντικού πιάτων - στεγνώστε με ένα μαλακό πανί. Για τον καθαρισμό χρησιμοποιείτε μόνο λίγο νερό, δεν επιτρέπεται να εισχωρήσει καθόλου νερό μέσα στη συσκευή.

Αφήστε τα καμένα σημεία να μουλιάσουν με λίγο νερό και λίγο απορρυπαντικό πιάτων, μην τα τρίβετε.

Απομακρύνετε τη δυνατή ρύπανση ή την προκαλούμενη από τη θερμότητα κίτρινη απόχρωση με το δικό μας υλικό καθαρισμού ανοξειδωτου χάλυβα (αριθ. προϊόντος 00311499).

Σχάρα μαγειρικών σκευών, δακτύλιος Wok

Για τον καθαρισμό αφαιρέστε την προσεκτικά. Μουλιάστε την στον νεροχύτη. Καθαρίστε την με βούρτσα καθαρισμού και υγρό καθαρισμού πιάτων.

Καθαρίστε προσεκτικά στην περιοχή των λαστιχένιων τάκων, για να μην αποσπαστούν.

Ξεπλύνετε με καθαρό νερό, στεγνώστε την πριν την τοποθέτηση.

Μπορείτε να καθαρίσετε τη σχάρα μαγειρικών σκευών επίσης και στο πλυντήριο πιάτων. Σε αυτή την περίπτωση η σχάρα μαγειρικών σκευών μπορεί να ξεθωριάσει. Αυτό δεν έχει καμία επιρροή πάνω στην ικανότητα χρήσης.

Εξαρτήματα του καυστήρα

Διάλυμα απορρυπαντικού πιάτων - στεγνώστε με ένα μαλακό πανί. Προσέξτε, να μην είναι τα ανοίγματα φραγμένα.

Προσέξτε, να μη χαθεί κανένα μικροαντικείμενο.

Μην τα καθαρίζετε στο πλυντήριο των πιάτων!

Κονσόλα χειρισμού

Διάλυμα απορρυπαντικού πιάτων - το πανί δεν επιτρέπεται να είναι πολύ υγρό. Στεγνώστε με ένα μαλακό πανί.

Κουμπί χειρισμού

Διάλυμα απορρυπαντικού πιάτων - το πανί δεν επιτρέπεται να είναι πολύ υγρό. Στεγνώστε με ένα μαλακό πανί.

Προσοχή! Ζημιές στη συσκευή

Μην αφαιρέσετε το κουμπί χειρισμού για τον καθαρισμό.

Καμένη ρύπανση

Για σκληρή, καμένη ρύπανση μπορείτε να παραγγείλετε στο Online-Shop της εταιρείας μας, στα ειδικά καταστήματα πώλησης ή στην υπηρεσία εξυπηρέτησης πελατών της εταιρείας μας ένα καθαριστικό ζελέ (αριθ. παραγγελίας 00311859). Είναι κατάλληλο για τις σχάρες μαγειρικών σκευών και τη βάση εστιών αερίου από ανοξειδωτο χάλυβα. Σε περίπτωση που χρειάζεται, αφήστε να δράσει στη ρύπανση όλη τη νύχτα. Προσέξτε τις υποδείξεις πάνω στο καθαριστικό.

Προσοχή! Ζημιές στην επιφάνεια

Μη χρησιμοποιήσετε τη γέλη καθαρισμού πάνω στα εξαρτήματα του καυστήρα, στην κονσόλα χειρισμού ή στα κουμπιά χειρισμού.

Αλλαγή χρώματος των καυστήρων

Μετά από μεγάλη χρήση τα ορειχάλκινα εξαρτήματα των καυστήρων σκουραίνονται με τη φυσική οξειδωση. Η αλλαγή του χρώματος δεν επηρεάζει την ικανότητα χρήσης.

Βλάβες, τι μπορεί να γίνει

Προειδοποίηση – Κίνδυνος ηλεκτροπληξίας!

Οι ακατάλληλες επισκευές είναι επικίνδυνες. Οι επισκευές επιτρέπεται να γίνονται μόνο από έναν τεχνικό του τμήματος εξυπηρέτησης πελατών, εκπαιδευμένο από εμάς. Εάν η συσκευή έχει βλάβη, τραβήξτε το ρευματολήπτη (φίς) από την πρίζα ή κατεβάστε/ξεβιδώστε την ασφάλεια στο κιβώτιο των ασφαλειών. Καλέστε την υπηρεσία τεχνικής εξυπηρέτησης πελατών.

Εάν παρουσιαστεί κάποια βλάβη, δε σημαίνει πως είναι κάτι το σοβαρό, συχνά η αιτία είναι ασήμαντη. Πριν καλέσετε την υπηρεσία εξυπηρέτησης πελατών, προσέξτε παρακαλώ τις υποδείξεις στον πίνακα.

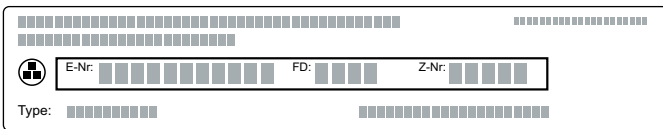
| Βλάβη | Πιθανή αιτία | Λύση |
|--|---|--|
| Βλάβη του γενικού ηλεκτρικού συστήματος | Η ασφάλεια του ηλεκτρικού πίνακα της κατοικίας έχει πέσει. | Ελέγξτε στο κιβώτιο των ασφαλειών, εάν η ασφάλεια έχει πέσει. |
| Η ηλεκτρική ανάφλεξη δε λειτουργεί. | Ανάμεσα στους αναφλεκτήρες και στους καυστήρες μπορεί να βρίσκονται υπολείμματα φαγητού ή καθαριστικού. | Ο ενδιάμεσος χώρος ανάμεσα στους αναφλεκτήρες και στους καυστήρες πρέπει να είναι καθαρός. |
| | Οι καυστήρες είναι υγροί. | Στεγνώστε προσεκτικά τα καπάκια των καυστήρων. |
| | Τα καπάκια των καυστήρων δεν είναι σωστά τοποθετημένα. | Ελέγξτε, εάν τα καπάκια είναι σωστά τοποθετημένα. |
| Ανομοιόμορφη φλόγα των καυστήρων | Διακοπή ρεύματος | Ανάψτε τον καυστήρα με το χέρι. |
| | Τα εξαρτήματα των καυστήρων δεν είναι σωστά τοποθετημένα. Τα ανοίγματα του καυστήρα είναι λερωμένα. | Τοποθετήστε τα εξαρτήματα των καυστήρων σωστά. Καθαρίστε τα ανοίγματα του καυστήρα. |
| Η ροή του αερίου φαίνεται να μην είναι κανονική ή δεν εξέρχεται καθόλου αέριο. | Οι ενδιάμεσες βαλβίδες είναι κλειστές. | Ανοίξτε τις ενδιάμεσες βαλβίδες. |
| | Σε περίπτωση χρήσης μιας φιάλης αερίου ελέγξτε, ότι δεν είναι άδεια. | Αντικαταστήστε τη φιάλη αερίου. |
| Στην κουζίνα μυρίζει αέριο. | Πιθανό σημείο διαρροής στη σύνδεση της φιάλης αερίου. | Ελέγξτε τη στεγανότητα της σύνδεσης της φιάλης αερίου. |
| Ο καυστήρας σβήνει αμέσως μετά την ανάφλεξη. | Δεν πατήσατε αρκετά το κουμπί χειρισμού. | Αφού πρώτα ανάψει ο καυστήρας, κρατήστε το κουμπί χειρισμού ακόμα μερικά δευτερόλεπτα πατημένο. Πατήστε το δυνατά. |
| | Τα ανοίγματα του καυστήρα είναι λερωμένα. | Καθαρίστε τα ανοίγματα του καυστήρα. |

Υπηρεσία εξυπηρέτησης πελατών

Η υπηρεσία εξυπηρέτησης των πελατών μας βρίσκεται πάντα στη διάθεσή σας, εάν η συσκευή σας χρειάζεται επισκευή. Εμείς βρίσκουμε πάντοτε μια κατάλληλη λύση, επίσης και για την αποφυγή των περιττών επισκέψεων του προσωπικού της υπηρεσίας εξυπηρέτησης πελατών.

Αριθμός E και αριθμός FD

Αναφέρετε στο τηλεφώνημα τον πλήρη αριθμό προϊόντος (Αριθ. E) και τον αριθμό κατασκευής (Αριθ. FD), για να μπορούμε να σας βοηθήσουμε σωστά. Την πινακίδα τύπου με τους αριθμούς θα τη βρείτε στην κάτω πλευρά της συσκευής.



Για να μη χρειαστεί να ψάχνετε πολύ, σε περίπτωση που χρειάζεται, μπορείτε να γράψετε εδώ τα στοιχεία της συσκευής σας και τον αριθμό τηλεφώνου της υπηρεσίας εξυπηρέτησης πελατών.

E-Nr.

FD-Nr.

Υπηρεσία εξυπηρέτησης πελατών

Προσέξτε, ότι η επίσκεψη του τεχνικού της υπηρεσίας εξυπηρέτησης πελατών στη περίπτωση ενός εσφαλμένου χειρισμού δεν είναι δωρεάν, ακόμα και κατά τη διάρκεια του χρόνου της εγγύησης.

Τα στοιχεία επικοινωνίας όλων των χωρών θα τα βρείτε στον πίνακα Υπηρεσίες τεχνικής εξυπηρέτησης πελατών που παραδίδεται μαζί.

Εντολή επισκευής και συμβουλές σε περίπτωση βλάβης

GR 210 4277 601
χρέωση κλήσης προς εθνικά δίκτυα

Εμπιστευτείτε την εμπειρία του κατασκευαστή. Έτσι εξασφαλίζετε, ότι η επισκευή γίνεται από εκπαιδευμένους τεχνικούς του σέρβις, που είναι εξοπλισμένοι με τα γνήσια ανταλλακτικά για τη δική σας οικιακή συσκευή.

BSH Hausgeräte GmbH
Carl-Wery-Straße 34
81739 München, GERMANY
www.gaggenau.com

Valid within Great Britain:
Imported to Great Britain by
BSH Home Appliances Ltd.
Grand Union House
Old Wolverton Road
Wolverton, Milton Keynes
MK12 5PT
United Kingdom

GAGGENAU



9001329050 en, es, pt, el (021024)