

SIEMENS



Fridge-freezer KG..N..

siemens-home.bsh-group.com/welcome

en Instruction for Use

Register
your
product
online

en Table of Contents

Safety and warning information	3	Max. freezing capacity	14
Information concerning disposal	6	Freezing and storing food	14
Scope of delivery	6	Freezing fresh food	15
Installation location	7	Super freezing	16
Observe ambient temperature and ventilation	7	Thawing frozen food	16
Connecting the appliance	8	Interior fittings	17
Getting to know your appliance	9	Sticker "OK"	17
Switching on the appliance	10	Switching off and disconnecting the appliance	18
Setting the temperature	10	Cleaning the appliance	18
Special functions	11	Light (LED)	19
Alarm function	11	Tips for saving energy	19
Usable capacity	11	Operating noises	19
Refrigerator compartment	12	Eliminating minor faults yourself	20
Super cooling	13	Appliance self-test	22
Freezer compartment	13	Customer service	22

Safety and warning information

Before you switch ON the appliance

Please read the operating and installation instructions carefully! They contain important information on how to install, use and maintain the appliance. The manufacturer is not liable if you fail to comply with the instructions and warnings. Retain all documents for subsequent use or for the next owner.

Technical safety

The tubes of the refrigeration circuit convey a small quantity of an environmentally friendly but flammable refrigerant (R600a). It does not damage the ozone layer and does not increase the greenhouse effect. If refrigerant escapes, it may injure your eyes or ignite.

If damage has occurred

- Keep naked flames and/or ignition sources away from the appliance,
- thoroughly ventilate the room for several minutes,

- switch off the appliance and pull out the mains plug,
- inform customer service.

The more refrigerant an appliance contains, the larger the room must be in which the appliance is situated. Leaking refrigerant can form a flammable gas-air mixture in rooms which are too small. The room must be at least 1 m³ per 8 g of refrigerant. The amount of refrigerant in your appliance is indicated on the rating plate inside the appliance.

If the power cord of this appliance is damaged, it must be replaced by the manufacturer, customer service or a similarly qualified person. Improper installations and repairs may put the user at considerable risk.

Repairs may be performed by the manufacturer, customer service or a similarly qualified person only.

Only original parts supplied by the manufacturer may be used. The manufacturer guarantees that only these parts satisfy the safety requirements.

Do not use multiple sockets, extension leads or adapters.

Important information when using the appliance

- Never use electrical appliances inside the appliance (e.g. heater, electric ice maker, etc.). Explosion hazard!
- Never defrost or clean the appliance with a steam cleaner! The steam may penetrate electrical parts and cause a short-circuit. Risk of electric shock!
- Do not use pointed or sharp-edged implements to remove frost or layers of ice. You could damage the refrigerant tubes. Leaking refrigerant may cause eye injuries or ignite.
- Do not store products which contain flammable propellants (e.g. spray cans) or explosive substances in the appliance. Explosion hazard!
- Do not stand on or lean heavily against base of appliance, drawers or doors, etc
- For defrosting and cleaning, pull the mains plug out or switch off the fuse. Do not pull out the mains plug by tugging on the power cord.
- Store high-percentage alcohol tightly closed and standing up.

- Keep plastic parts and the door seal free of oil and grease. Otherwise, parts and door seal will become porous.
- Never cover or block the ventilation openings of the appliance!

Avoiding placing children and vulnerable people at risk:

At risk are children, people who have limited physical, mental or sensory abilities, as well as people who have inadequate knowledge concerning safe operation of the appliance.

Ensure that children and vulnerable people have understood the hazards.

A person responsible for safety must supervise or instruct children and vulnerable people who are using the appliance.

Only children from 8 years and above may use the appliance.

Supervise children who are cleaning and maintaining the appliance.

Never allow children to play with the appliance.

- Do not store bottled or canned drinks (especially carbonated drinks) in the freezer compartment. Bottles and cans may burst!
- Never put frozen food straight from the freezer compartment into your mouth.
Risk of low-temperature burns!
- Avoid prolonged touching of frozen food, ice or the evaporator pipes, etc.
Risk of low-temperature burns!

Children in the household

- Keep children away from packaging and its parts.
Danger of suffocation from folding cartons and plastic film!
- Do not allow children to play with the appliance!
- If the appliance features a lock:
keep the key out of the reach of children!

General regulations

The appliance is suitable

- for refrigerating and freezing food,
- for making ice.

This appliance is intended for use in the home and the home environment.

The appliance is suppressed according to EU Directive 2004/108/EC.

The refrigeration circuit has been checked for leaks.

This product complies with the relevant safety regulations for electrical appliances (EN 60335-2-24).

This appliance is intended for use up to a maximum height of 2000 metres above sea level.

Information concerning disposal

Disposal of packaging

The packaging protects your appliance from damage during transit. All utilised materials are environmentally safe and recyclable. Please help us by disposing of the packaging in an environmentally friendly manner.

Please ask your dealer or inquire at your local authority about current means of disposal.

Disposal of your old appliance

Old appliances are not worthless rubbish! Valuable raw materials can be reclaimed by recycling old appliances.



This appliance is labelled in accordance with European Directive 2012/19/EU concerning used electrical and electronic appliances (waste electrical and electronic equipment - WEEE). The guideline determines the framework for the return and recycling of used appliances as applicable throughout the EU.

Warning

Redundant appliances

1. Pull out the mains plug.
2. Cut off the power cord and discard with the mains plug.
3. Do not take out the trays and receptacles: children are therefore prevented from climbing in!
4. Do not allow children to play with the appliance once it has spent its useful life. Danger of suffocation!

Refrigerators contain refrigerant and gases in the insulation. Refrigerant and gases must be disposed of professionally. Ensure that tubing of the refrigerant circuit is not damaged prior to proper disposal.

Scope of delivery

After unpacking all parts, check for any damage in transit.

If you have any complaints, please contact the dealer from whom you purchased the appliance or our customer service.

The delivery consists of the following parts:

- Free-standing appliance
- Interior fittings (depending on model)
- Bag containing installation materials
- Operating instructions
- Installation manual
- Customer service booklet
- Warranty enclosure
- Information on the energy consumption and noises

Installation location

A dry, well ventilated room is suitable as an installation location. The installation location should not be exposed to direct sunlight and not placed near a heat source, e.g. a cooker, radiator, etc. If installation next to a heat source is unavoidable, use a suitable insulating plate or observe the following minimum distances from the heat source:

- 3 cm to electric or gas cookers.
- 30 cm to an oil or coal-fired cooker.

The floor of the installation location must not give way; if required, reinforce floor. If the floor is uneven, compensate with supports.

Distance from wall

When installing the appliance, ensure that the door can be opened by 90°.

Observe ambient temperature and ventilation

Ambient temperature

The appliance is designed for a specific climate class. Depending on the climate class, the appliance can be operated at the following temperatures.

The climate class can be found on the rating plate. Fig. 12

Climate class	Permitted ambient temperature
SN	+10 °C to 32 °C
N	+16 °C to 32 °C
ST	+16 °C to 38 °C
T	+16 °C to 43 °C

Note

The appliance is fully functional within the room temperature limits of the indicated climatic class. If an appliance of climatic class SN is operated at colder room temperatures, the appliance will not be damaged up to a temperature of +5 °C.

Ventilation

Fig. 2

The air on the rear panel and on the side panels of the appliance heats up. Conduction of the heated air must not be obstructed. Otherwise, the refrigerating unit must work harder. This increases power consumption. Therefore: Never cover or block the ventilation openings!

Connecting the appliance

After installing the appliance, wait at least 1 hour until the appliance is switched on. During transportation the oil in the compressor may have flowed into the refrigeration system.

Before switching on the appliance for the first time, clean the interior of the appliance (see chapter “Cleaning the appliance”).

Electrical connection

The socket must be near the appliance and also freely accessible following installation of the appliance.



Warning

Risk of electric shock!

If the length of the mains cable is inadequate, never use multiple sockets or extension leads. Instead, please contact Customer Service for alternatives.

The appliance complies with protection class I. Connect the appliance to 220–240 V/50 Hz alternating current via a correctly installed socket with protective conductor. The socket must be protected by a 10 A to 16 A fuse.

For appliances operated in non-European countries, check whether the indicated voltage and current type match the values of your electricity supply. This information can be found on the rating plate, Fig. 12.



Warning

Never connect the appliance to electronic energy saver plugs.

Our appliances can be used with mains and sine-controlled inverters. Mains-controlled inverters are used for photovoltaic systems which are connected directly to the national grid. Sine-controlled inverters must be used for isolated applications (e.g. on ships or in mountain lodges) which are not connected directly to the national grid.

Getting to know your appliance



Please fold out the illustrated last page. These operating instructions refer to several models.

The features of the models may vary.

The diagrams may differ.

Fig. 1

* Not all models.

- A Refrigerator compartment
- B Freezer compartment
- 1–8 Controls
- 9 Shelf for small bottles
- 10 Shelf for large bottles
- 11 Light
- 12* Bottle shelf
- 13 Cold storage compartment
- 14 Vegetable container with humidity control
- 15 Frozen food container (small)

Controls

Fig. 4

* Not all models.

- 1 **Refrigerator compartment display panel**
- 2 **Freezer compartment display panel**
- 3 **Temperature display freezer compartment**
The numbers correspond to the set freezer compartment temperatures in °C.
- 4 **Button “lock” function**
If this function is switched on, no settings are possible via the controls.
- 5 **Alarm button**
Used to switch off the warning signal, see chapter “Alarm function”.
- 6 **Setting buttons**
You can use the “+” and “-” button to set the temperature of the refrigerator and freezer compartment. In addition, special functions can be switched on and off.
- 7 **Selection button for appliance zone**
To make settings for one appliance zone, repeatedly press the selection button.
- 8 **Temperature display refrigerator compartment**
The numbers correspond to the set refrigerator compartment temperatures in °C.

Switching on the appliance

1. First insert the plug into the connection on the back of the appliance. Check that the plug has been inserted all the way.
2. Then insert the other end of the cable into the socket.

The appliance is now switched on and a warning signal sounds.

Press the alarm off button to switch off the audible warning signal.

The alarm off display goes out when the appliance has reached the set temperature.

The preset temperatures are reached after several hours. Do not put any food in the appliance beforehand.

The factory has recommended the following temperatures:

- Freezer compartment: -18 °C
- Refrigerator compartment: +4 °C

Operating tips

- After the appliance has been switched on, it may take several hours until the set temperatures have been reached.
- The fully automatic NoFrost system ensures that the freezer section remains free of ice. Defrosting is no longer required.
- If the door cannot be immediately reopened after it has been closed, wait until the resulting low pressure has equalised.
- The front and side panels of the housing are partly heated slightly. This prevents condensation from forming.

Setting the temperature

Fig. 4

Refrigerator section

The temperature can be set from +2°C to +8°C.

1. Select the refrigerator section using the °C button.
2. Keep pressing the +/- buttons until the required temperature is indicated.

Perishable food should not be stored above +4 °C.

Freezer compartment

The temperature can be set from -16°C to -24°C.

1. Select the freezer compartment using the °C button.
2. Keep pressing the +/- buttons until the required temperature is indicated.

Special functions

Fig. 4

Eco function

The “eco” function switches the appliance to energy-saving mode.

1. Select the refrigerator compartment or freezer compartment using the selection buttons.
2. Keep pressing on + until the “eco” display is lit.

The appliance automatically sets the following temperatures:

- Refrigerator compartment: +8 °C
- Freezer compartment: -16 °C

Button lock function

To switch the button lock on and off, press the lock button for 5 seconds.

When the function is switched on, the lock display lights up.

The control panel is now protected against unintentional operation.

Exception to the button lock:

The lock button can be pressed to switch off the button lock.

Alarm function

In the following cases an alarm may be actuated.

Door opening alarm

The door alarm (continuous sound) switches on and the Alarm 4/5 display is lit if the appliance is left open for too long. Close the appliance to switch off the door alarm.

Temperature alarm

An intermittent signal sounds and the Alarm button is lit.

The temperature alarm switches on if the freezer compartment is too warm and the frozen food is at risk of thawing.

The alarm may switch on without any risk to the frozen food:

- Switch on the appliance for the first time.
- When large quantities of fresh food are placed in the appliance.

Note

Do not refreeze thawing or thawed food. Only ready meals (boiled or fried) may be refrozen.

No longer store the frozen produce for the max. storage period.

Switching off the alarm

Fig. 4

Press the alarm button 5 to switch off the warning signal.

Usable capacity

Information on the usable capacity can be found inside your appliance on the rating plate. Fig. 12

Fully utilising the freezer volume

To place the maximum amount of frozen food in the freezer compartment, you can remove the containers. You can then stack the food directly on the shelf and on the floor of the freezer compartment.

Note

Avoid contact between food and rear panel. Otherwise the air circulation will be impaired.

Food or packaging could freeze to the rear panel.

Removing the fittings

Pull out the frozen food container all the way, lift at the front and remove.

Fig. **9**

Refrigerator compartment

The refrigerator compartment is the ideal storage location for meat, sausage, fish, dairy products, eggs, ready meals and pastries.

Storing food

- Store fresh, undamaged food. The quality and freshness will then be retained for longer.
- In the case of ready-made products and bottled goods, observe the best-before date or use-by date specified by the manufacturer.
- To retain aroma, colour and freshness, pack or cover food well before placing in the appliance. This will prevent the transfer of flavours and the discolouration of plastic parts in the refrigerator compartment.
- Allow warm food and drinks to cool down before placing in the appliance.

Note

Do not block air outlet openings with food, otherwise the air circulation will be impaired. Food which is stored directly in front of the air outlet openings may be frozen by the cold air flowing out.

Note the chill zones in the refrigerator compartment

The air circulation in the refrigerator compartment creates different chill zones:

- The coldest zones are in front of the air outlet openings and in the chill compartment, Fig. **11**/13.

Note

Store perishable food (e.g. fish, sausage, meat) in the coldest zones.

- Warmest zone is at the very top of the door.

Note

Store e.g. hard cheese and butter in the warmest zone. The aroma of hard cheese can then continue to develop and butter remains spreadable.

Vegetable container with humidity control

Fig. **7**

To create the optimum storage climate for fruit and vegetables, you can set the humidity level in the vegetable container:

- Mainly vegetables as well as for a mixed or small load – high air humidity
- Mainly fruit as well as for a large load – low air humidity

Notes

- Fruit sensitive to cold (e.g. pineapple, banana, papaya and citrus fruit) and vegetables sensitive to cold (e.g. aubergines, cucumbers, zucchini, peppers, tomatoes and potatoes) should be stored outside the refrigerator at temperatures of approx. +8 °C to +12 °C for optimum preservation of quality and flavour.
- Condensation may form in the vegetable container depending on the type and quantity of products stored. Remove condensation with a dry cloth and adjust air humidity in the vegetable container with the humidity controller.

Cold storage compartment

Fig. 8

The cold storage compartment has lower temperatures than the refrigerator compartment. Even temperatures below 0 °C may occur.

Ideal for storing fish, meat and sausage. Not suitable for lettuce and vegetables and produce sensitive to cold.

The temperature of the chill compartments can be varied using the ventilation opening. Push temperature controller upwards to reduce the temperature. Push temperature controller downwards to increase the temperature.

Fig. 6

Super cooling

Super cooling sets the refrigerator temperature to the coldest temperature setting for approx. 6 hours. Then the appliance automatically switches to the temperature set prior to super cooling mode.

Switch on super cooling mode, e.g.

- before placing large quantities of food in the refrigerator compartment.
- for the fast cooling of drinks.

Switching on and off

Fig. 4

1. Select the fridge compartment using the °C button.
 2. Press the temperature setting button 6 repeatedly until the super display is lit.
- You do not need to switch off the super cooling. After 6 hours, the previously set temperature is automatically restored.

Freezer compartment

Use the freezer compartment

- To store deep-frozen food.
- To make ice cubes.
- To freeze food.

Note

Ensure that the freezer compartment door has been closed properly. If the door is open, the frozen food will thaw. The freezer compartment will become covered in thick ice. Also: waste of energy due to high power consumption!

Max. freezing capacity

Information about the max. freezing capacity within 24 hours can be found on the rating plate. Fig. 12

Prerequisites for max. freezing capacity

- Switch on super freezing before placing fresh products in the compartment (see chapter entitled “Super freezing”).
- Remove containers; stack food directly on the shelf and on the floor of the freezer compartment.
- Freeze large quantities of food preferably in the very top compartment where food freezes particularly quickly and therefore also gently.

Freezing and storing food

Purchasing frozen food

- Packaging must not be damaged.
- Use by the “use by” date.
- Temperature in the supermarket freezer must be -18 °C or lower.
- If possible, transport deep-frozen food in an insulated bag and place quickly in the freezer compartment.

Note when loading products

- Freeze large quantities of food preferably in the top frozen food container. This is where food freezes particularly quickly and therefore also gently.
- Place the food over the whole area of the compartments or the frozen food containers.

Note

Food which is already frozen must not come into contact with the food which is to be frozen. If necessary, re-stack frozen food in the frozen food containers.

- To ensure air circulation in the appliance, insert frozen food container all the way.

Freezing smaller amounts of food

How you freeze smaller amounts of food, so that they are frozen solid extremely quickly, can be found in the section Automatic super freezing.

Freezing fresh food

Freeze fresh and undamaged food only.

To retain the best possible nutritional value, flavour and colour, vegetables should be blanched before freezing. Aubergines, peppers, zucchini and asparagus do not require blanching.

Literature on freezing and blanching can be found in bookshops.

Note

Keep food which is to be frozen away from food which is already frozen.

- The following foods are suitable for freezing:
Cakes and pastries, fish and seafood, meat, game, poultry, vegetables, fruit, herbs, eggs without shells, dairy products such as cheese, butter and quark, ready meals and leftovers such as soups, stews, cooked meat and fish, potato dishes, soufflés and desserts.
- The following foods are not suitable for freezing:
Types of vegetables, which are usually consumed raw, such as lettuce or radishes, eggs in shells, grapes, whole apples, pears and peaches, hard-boiled eggs, yoghurt, soured milk, sour cream, crème fraîche and mayonnaise.

Packing frozen food

To prevent food from losing its flavour or drying out, place in airtight containers.

1. Place food in packaging.
2. Remove air.
3. Seal the wrapping.
4. Label packaging with contents and date of freezing.

Suitable packaging:

Cling wrap, tubular film made of polyethylene, aluminium foil, freezer containers.

These products are available from specialist outlets.

Unsuitable packaging:

Wrapping paper, greaseproof paper, cellophane, bin liners and used shopping bags.

Items suitable for sealing packaged food:

Rubber bands, plastic clips, string, cold-resistant adhesive tape, etc.

Bags and tubular film made of polyethylene (PE) can be sealed with a film heat sealer.

Shelf life of frozen food

Storage duration depends on the type of food.

At a temperature of -18 °C:

- Fish, sausage, ready meals and cakes and pastries:
up to 6 months
- Cheese, poultry and meat:
up to 8 months
- Vegetables and fruit:
up to 12 months

Super freezing

Food should be frozen solid as quickly as possible in order to retain vitamins, nutritional value, appearance and flavour.

The appliance runs constantly when super freezing has been switched on. The freezer compartment temperatures are much lower than in normal operation.

Switching on super freezing

Depending on the amounts of food to be frozen, you can use super freezing in different ways.

Note

When super freezing is switched on, increased operating noises may occur.

Automatic super freezing

Smaller amounts of food are frozen solid extremely quickly if you freeze them as follows:

- In the bottom frozen food container
- On left

Automatic super freezing automatically switches on when warm food items are placed inside the freezer.

Manual super freezing

Fig. 4

Freeze larger quantities of food preferably in the top compartment. This is where food freezes particularly quickly and therefore also gently.

Several hours before placing fresh food in the freezer compartment, switch on super freezing to prevent an unwanted temperature rise.

If the max. freezing capacity is to be used, super freezing must be switched on for 24 hours before the fresh products are placed in the freezer compartment.

1. Select the freezer compartment area with the selection button 7.
2. Keep pressing the temperature setting button 6 until the Super display is lit.

Switching off super freezing

Fig. 4

1. Select the freezer compartment area with the selection button 7.
2. Keep pressing temperature setting button 6 until the required temperature is displayed.

Super freezing is now switched off.

When super freezing has finished, the appliance automatically switches to normal mode.

- With automatic super freezing: As soon as the smaller amounts of food to be frozen have frozen solid.
- With manual super freezing: After approx. 2½ days.

Thawing frozen food

Depending on the type and application, select one of the following options:

- at room temperature
- in the refrigerator
- in an electric oven, with/without fan assisted hot-air
- in the microwave

Caution

Do not refreeze thawing or thawed food. Only ready meals (boiled or fried) may be refrozen.

No longer store the frozen produce for the max. storage period.

Interior fittings

Shelves and containers

You can reposition the inner shelves and the containers in the door as required: pull shelf forwards, lower and swivel out to the side. Lift the container and remove.

Special features

(not all models)

Bottle shelf

Fig. 5

Bottles can be stored securely on the bottle shelf.

Ice cube tray

Fig. 11

1. Fill the ice cube tray $\frac{3}{4}$ full of drinking water and place in the freezer compartment.
2. If the ice tray is stuck to the freezer compartment, loosen with a blunt implement only (spoon-handle).
3. To loosen the ice cubes, twist the ice tray slightly or hold briefly under flowing water.

Freezer calendar

Fig. 10

To prevent the quality of the frozen food from deteriorating, do not exceed the storage duration. The figures next to the symbols indicate the permitted storage period of the produce in months. In the case of commercially available frozen food observe the date of manufacture or use-by date.

Ice block

If a power failure or malfunction occurs, the ice blocks can be used to slow down the thawing process. The longest storage time is obtained by placing the ice pack on the food in the top compartment.

The ice blocks can also be used to cool food temporarily, e. g. in a cold bag.

Sticker “OK”

(not all models)

The sticker “OK” lets you check whether the refrigerator compartment achieves the safe temperature ranges of +4 °C or colder recommended for food. If the sticker does not indicate “OK”, gradually reduce the temperature.

Note

When the appliance is switched on, it may take up to 12 hours until the set temperature is reached.



Correct setting

Switching off and disconnecting the appliance

Switching off the appliance

Press "+" button for 10 seconds.

Refrigeration unit switches off.

(Not all models).

Disconnecting the appliance

If you do not use the appliance for a prolonged period:

1. Pull out the mains plug or switch off the fuse.
2. Clean the appliance.
3. Leave appliance doors open.

Cleaning the appliance

Caution

- Do not use abrasive, chloride or acidic cleaning agents or solvents.
- Do not use scouring or abrasive sponges.

The metallic surfaces could corrode.

- Never clean shelves and containers in the dishwasher.

The parts may become deformed!

The cleaning water must not get into the following areas:

- Controls
- Illumination
- Ventilation openings
- Openings in the separating plate

Proceed as follows:

1. Pull out the mains plug or switch off the fuse.
2. Take out the frozen food and store in a cool location. Place ice pack (if available) on the food.
3. The rinsing water must not drip into the controls, lighting, ventilation openings or the openings in the partition!

Clean the appliance with a soft cloth, lukewarm water and a little pH-neutral washing-up liquid.

4. Wipe the door seal with clear water only and then wipe dry thoroughly.
5. After cleaning reconnect the appliance.
6. Put the frozen food back into the appliance.

Interior fittings

All variable parts of the appliance can be taken out for cleaning.

Take out shelves in the door

Fig. **3**

Lift shelves upwards and take out.

Take out glass shelves

Pull the glass shelves forwards and take out.

Removing the container

Fig. **8**

Pull out the container all the way, lift at the front and remove.

Taking out the frozen food container

Fig. **9**

Pull out the frozen food container all the way, lift at the front and remove.

Light (LED)

Your appliance features a maintenance-free LED light.

These lights may be repaired by customer service or authorised technicians only.

Tips for saving energy

- Install the appliance in a dry, well ventilated room! The appliance should not be installed in direct sunlight or near a heat source (e.g. radiator, cooker).
If required, use an insulating plate.
- Allow warm food and drinks to cool down before placing in the appliance.
- Thaw frozen food in the refrigerator compartment and use the low temperature of the frozen food to cool refrigerated food.
- Open the appliance as briefly as possible.
- To achieve the lowest energy consumption, leave a small wall gap at the side.
- The arrangement of the fittings does not affect the energy rating of the appliance.

Operating noises

Quite normal noises

Note

When super freezing is switched on, increased operating noises may occur.

Droning

Motors are running (e.g. refrigerating units, fan).

Bubbling, humming or gurgling noises

Refrigerant is flowing through the tubing.

Clicking

Motor, switches or solenoid valves are switching on/off.

Cracking

Automatic defrosting is running.

Preventing noises

The appliance is not level

Please align the appliance with a spirit level. Use the height-adjustable feet or place packing underneath them.

The appliance is not free-standing

Please move the appliance away from adjacent units or appliances.

Containers or storage areas wobble or stick

Please check the removable parts and re-insert them correctly if required.

Bottles or receptacles are touching each other

Move the bottles or receptacles slightly away from each other.

Eliminating minor faults yourself

Before you call customer service:

Please check whether you can eliminate the fault yourself based on the following information.

Customer service will charge you for advice – even if the appliance is still under guarantee!

Fault	Possible cause	Remedial action
Temperature differs greatly from the set value.		In some cases it is adequate to switch off the appliance for 5 minutes. If the temperature is too high wait a few hours and check whether the temperature has approached the set value. If the temperature is too low check the temperature again the next day.
It is too cold in the refrigerator section or in the chill compartment.		Increase the temperature in the refrigerator section.
		Push temperature controller for the chill compartment downwards. Fig. 6
The temperature in the freezer compartment is too warm.	Appliance opened frequently.	Do not open the appliance unnecessarily.
	The ventilation openings have been covered.	Remove obstacles.
	Large quantities of fresh food are being frozen.	Do not exceed max. freezing capacity.
Appliance is not cooling, temperature display and light are lit.	Showroom mode is switched on.	Hold down alarm button, Fig 4 /5, for 10 seconds until an acknowledgement signal sounds. After a short time check whether your appliance is cooling.
The side panels of the appliance are warm.	Pipes run into the side panels which heat during the cooling process.	That is normal behaviour for the appliance and not a fault. Furniture touching the appliance will not be damaged by the heat.

Fault	Possible cause	Remedial action
The light does not function.	The LED light is defective.	See chapter "Light (LED)" section.
	Appliance was open too long. Light is switched off after approx. 10 min.	When the appliance is closed and opened, the light is on again.
Displays do not illuminate.	Power failure; the fuse has been switched off; the mains plug has not been inserted properly.	Connect mains plug. Check whether the power is on, check the fuses.
Freezer compartment door was open for a long time; temperature is no longer reached.	The evaporator (refrigeration generator) in the NoFrost system is covered in thick ice and can no longer be defrosted fully automatically.	<p>To defrost the evaporator, remove the frozen food with the compartments, insulate well and store in a cool location.</p> <p>Switch off the appliance and move it away from the wall. Leave the appliance door open. After approx. 20 min. the condensation begins to run into the evaporation pan, at the rear of the appliance.</p> <p>To prevent the evaporation pan from overflowing in this case, mop up the condensation with a sponge.</p> <p>The evaporator is defrosted when the water stops running into the evaporation pan. Clean the interior. Switch the appliance back on again.</p>
Automatic super freezing does not switch on.		The appliance decides independently whether automatic Super freezing is required and automatically switches it on or off.

Appliance self-test

Your appliance features an automatic self-test program which shows you sources of faults which may be repaired by customer service only.

Starting the appliance self-test

1. Switch off the appliance and wait 5 minutes.
2. Switch on appliance and press and hold the button „-“ for 3-5 seconds within the first 10 seconds, until an audible signal sounds.

The self-test programme starts.

While the self-test is running, a long acoustic signal sounds.

When the self-test ends and an acoustic signal sounds twice, your appliance is in working order.

If 5 audible signals sound, there is an error. Inform customer service.

Ending the appliance self-test

When the programme has ended, the appliance switches over to normal operation.

Customer service

Your local customer service can be found in the telephone directory or in the customer-service index. Please provide customer service with the appliance product number (E-Nr.) and production number (FD-Nr.).

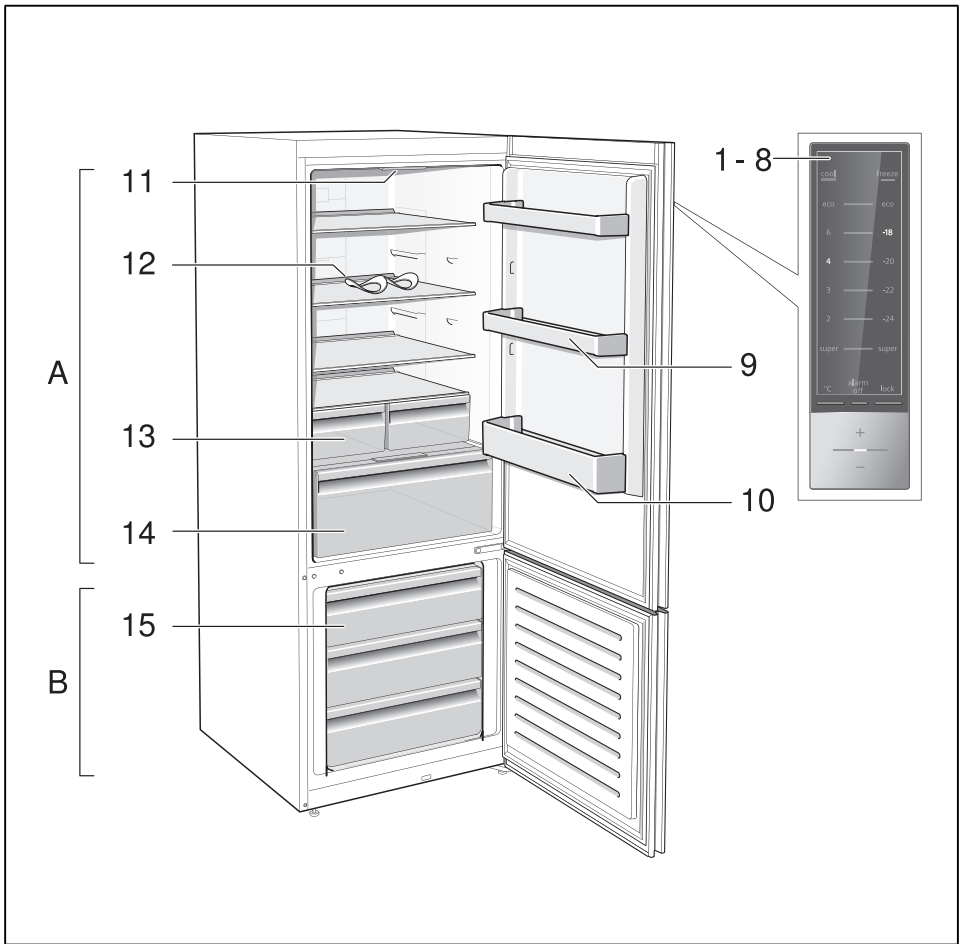
This information can be found on the rating plate. Fig. 12

To prevent unnecessary call-outs, please assist customer service by quoting the product and production numbers. This will save you additional costs.

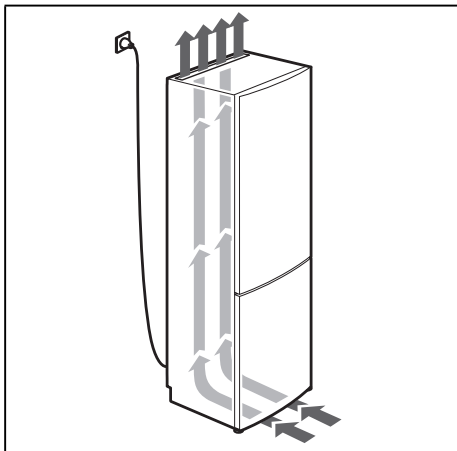
Repair order and advice on faults

Contact information for all countries can be found on the enclosed customer service list.

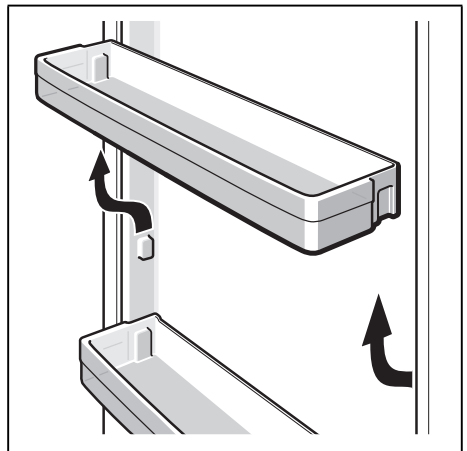
GB	0344 892 8999	Calls charged at local or mobile rate.
IE	01450 2655	0.03 € per minute at peak. Off peak 0.0088 € per minute.
US	866 447 4363	toll-free



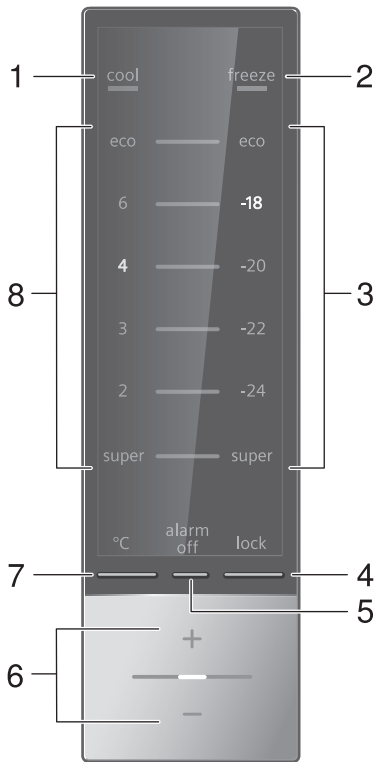
1



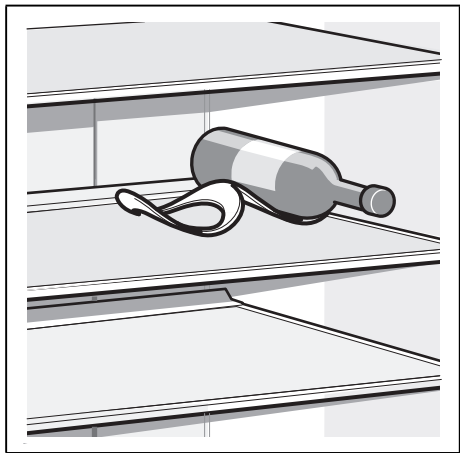
2



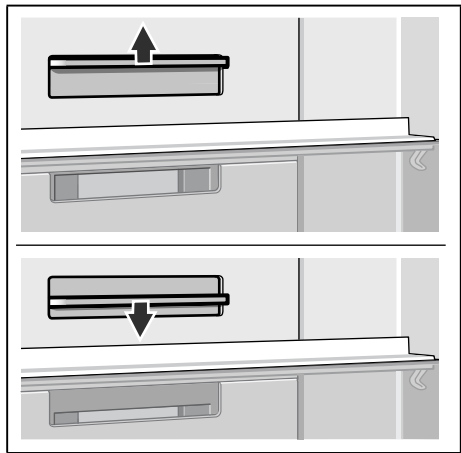
3



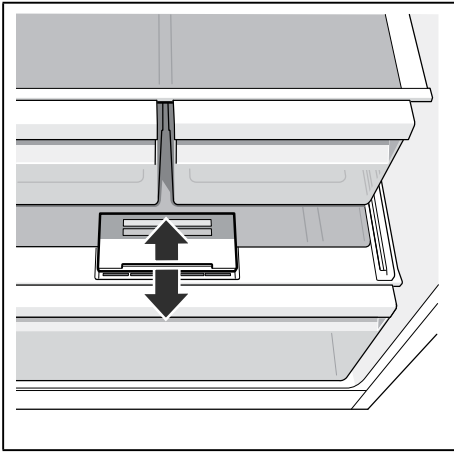
4



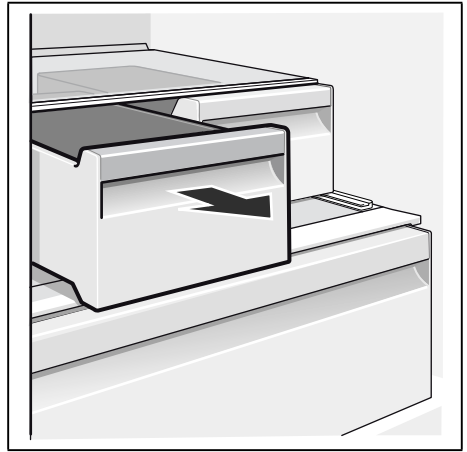
5



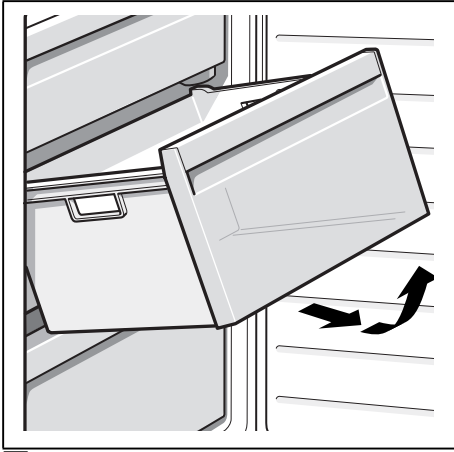
6



7



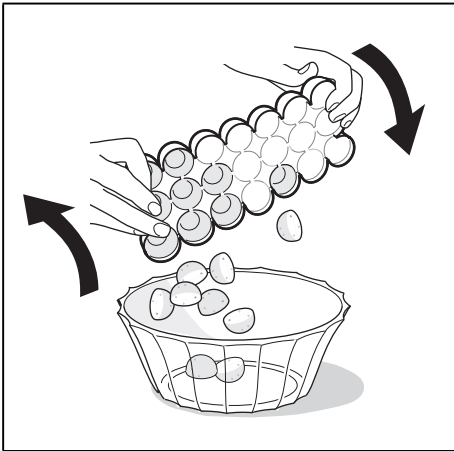
8



9



10



11



12

BSH Hausgeräte GmbH
Carl-Wery-Straße 34
81739 München, GERMANY

siemens-home.bsh-group.com

Manufactured by BSH Hausgeräte GmbH under Trademark License of Siemens AG



9001316382 (9706)

en