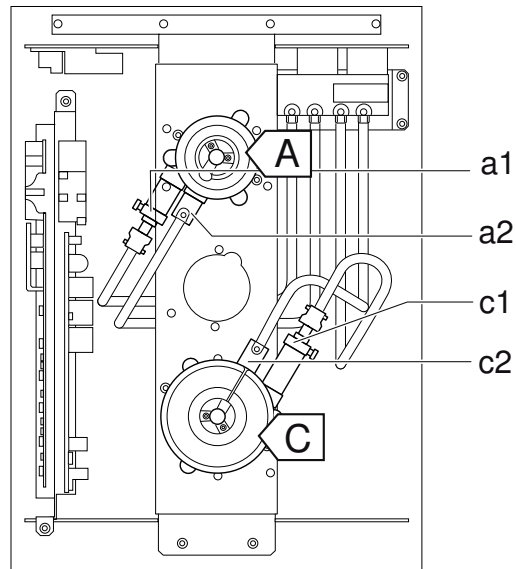




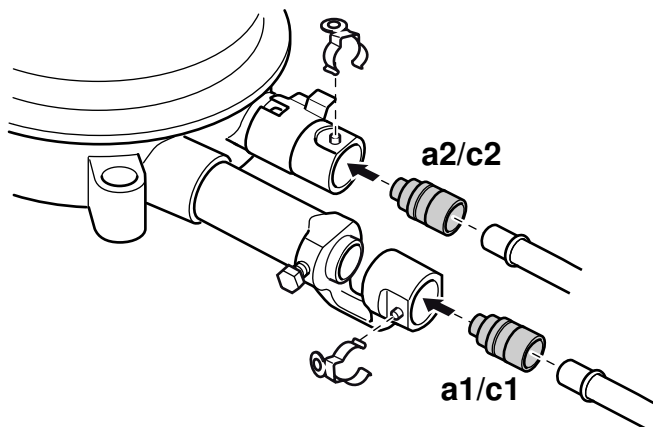
VG 425 111 / VG 425 111F / VG 425 211

	G20-20mbar G25-25mbar G25.3-25mbar	G25-20mbar	G30-29mbar G31-37mbar	G30-50mbar
<b>A</b> a1	98	105	64	57
L1	0 mm	0 mm	6 mm	6 mm
a2	40	42	26	22
L2	4 mm	4 mm	open	4 mm
<b>C</b> c1	137	155	94	82
L1	0 mm	0 mm	2 mm	-1 mm
c2	40	42	26	22
L2	4 mm	1 mm	open	4 mm



VG 425 211 AU

	Natural Gas 1.0kPa/10mbar	ULPG 2.75kPa/27.5mbar
<b>A</b> a1	113	68
L1	4 mm	6 mm
a2	42	29
L2	open	open
<b>C</b> c1	168	105
L1	6 mm	2 mm
c2	42	29
L2	open	open

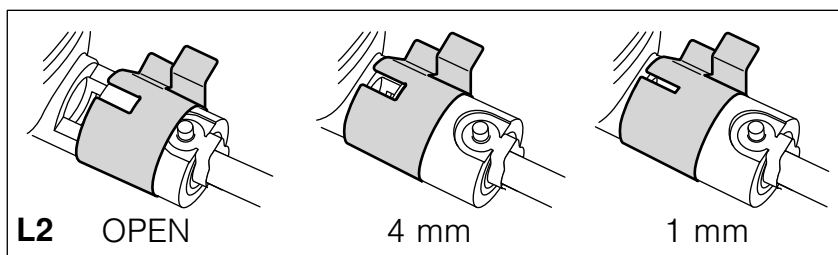


VG 425 211 CA

	NG A 6" WC	Propane 10" WC
<b>A</b> a1	105	68
L1	0 mm	6 mm
a2	40	29
L2	4 mm	open
<b>C</b> c1	150	105
L1	0 mm	2 mm
c2	40	29
L2	4 mm	open

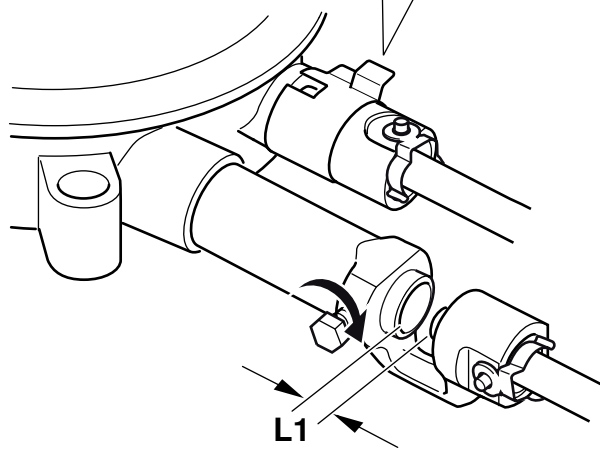
VG 425 211 CN

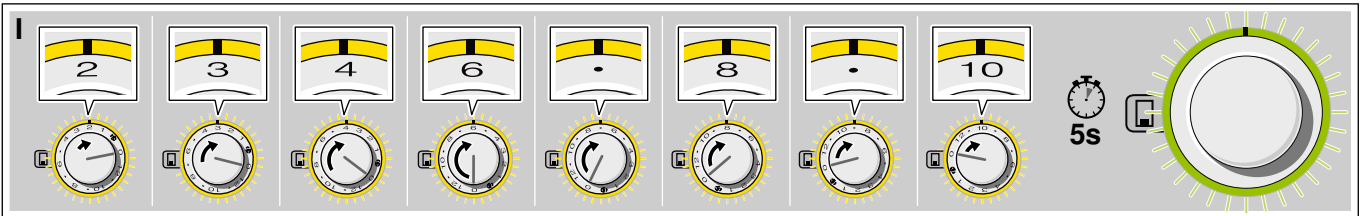
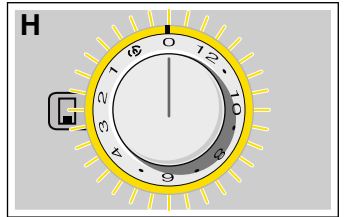
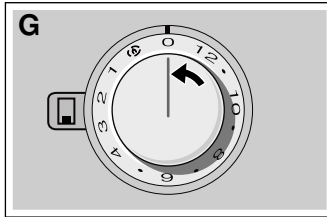
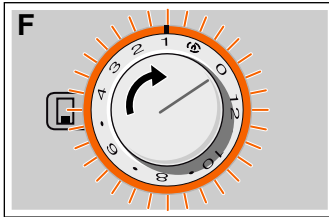
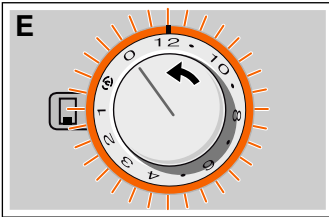
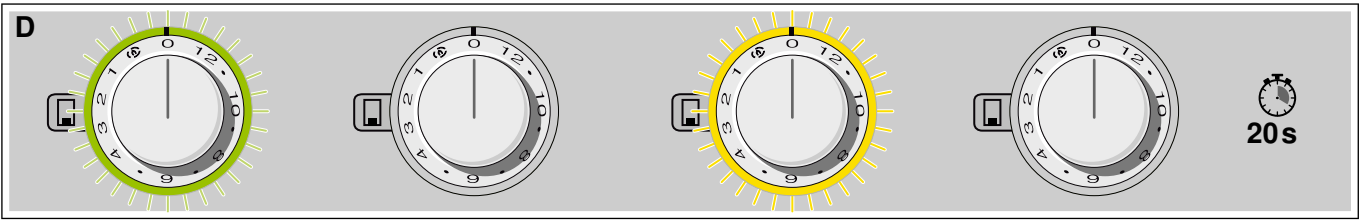
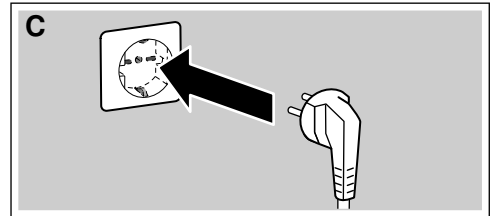
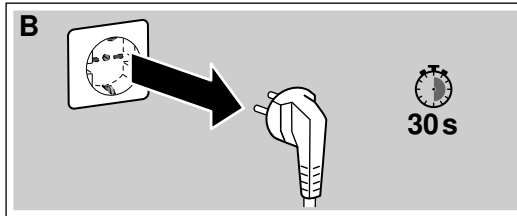
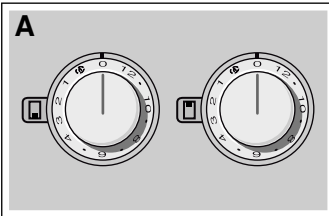
	NG 20mbar
<b>A</b> a1	98
L1	0 mm
a2	40
L2	4 mm
<b>C</b> c1	137
L1	0 mm
c2	40
L2	4 mm



VG 425 311 SG

	Town Gas 10/12.5/15mbar	LPG 29mbar
<b>A</b> a1	168	64
L1	0 mm	6 mm
a2	67	26
L2	4 mm	open
<b>C</b> c1	332	94
L1	0 mm	2 mm
c2	67	26
L2	4 mm	open





Knob position	2	3	4	6	7	8	9	10
Gas type	G20-20mbar G25-25mbar G25.3-25mbar NG 20mbar LNG 20mbar	G30-29mbar G31-37mbar LPG 29mbar LPG 30mbar	G30-50mbar	G25-20mbar	NG A 6" WC	Natural Gas 1.0kPa/ 10mbar	ULPG 2.75kPa/ 27.5mbar  Propane 10" WC	Town Gas 10/12.5/15mbar

