

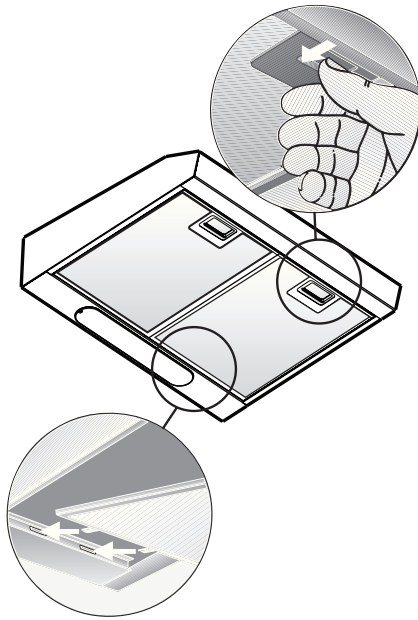
---

## Filters and maintenance

---

### Removing and inserting the metal grease filters:

1. Press the catch on the grease filters inwards and fold the filters down.



2. Clean the filters.
3. Insert the clean filters back into the hood.

### Activated carbon filter:

For neutralizing odours in recirculating mode.

#### Caution:

As the filter becomes more and more saturated with grease, there is an increased risk of fire and the function of the extractor hood may be impaired.

#### Important:

Change the activated carbon filter promptly to prevent the risk of fire from the accumulation of heat when deep-fat frying or roasting.

#### Fitting

Remove the **cover** by rotating the **knobs** to 90°, put the **activated carbon filter** inside and fix it by rotating the **knob** to 90° then close the **cover**.

**To remove** proceed in the reverse order.

**Replace every 4 months.**

