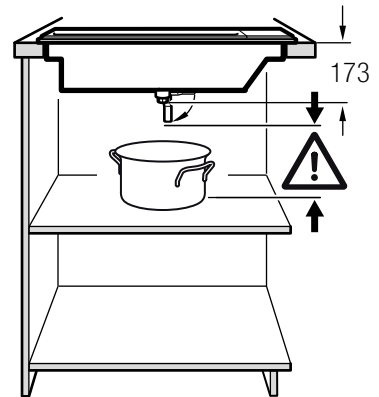
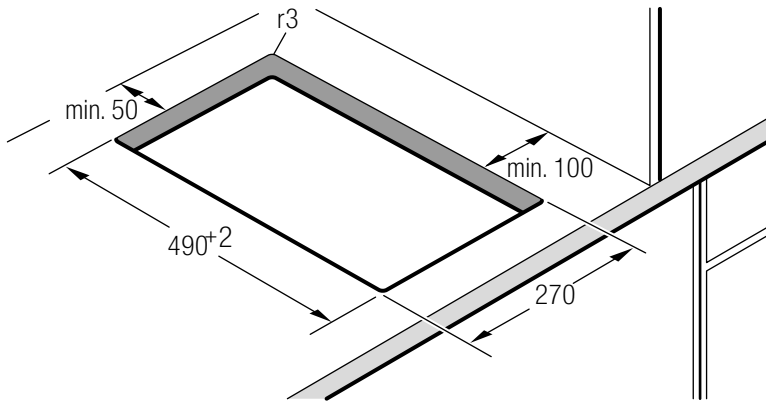
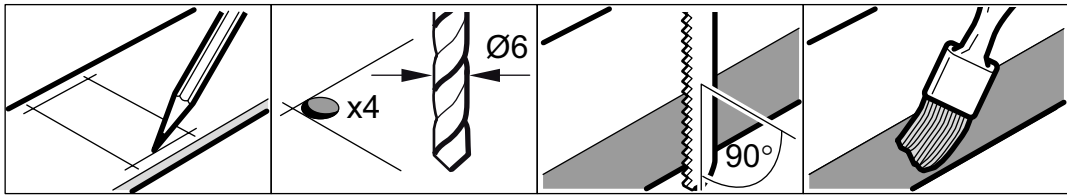
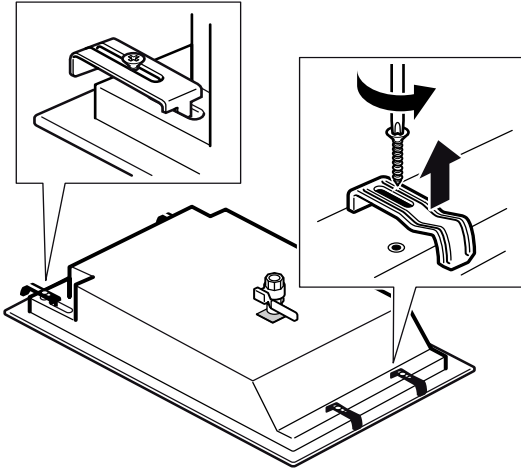
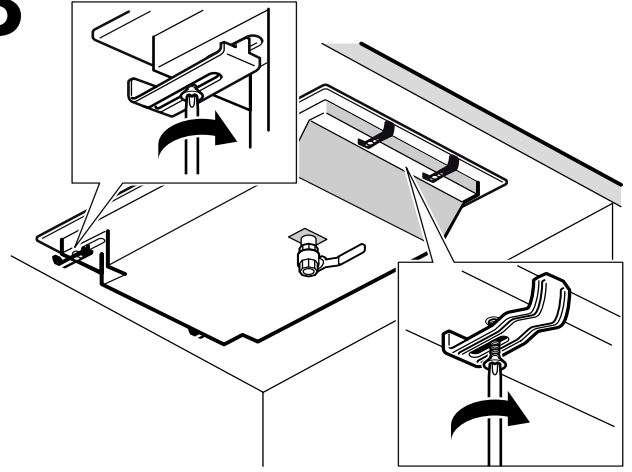
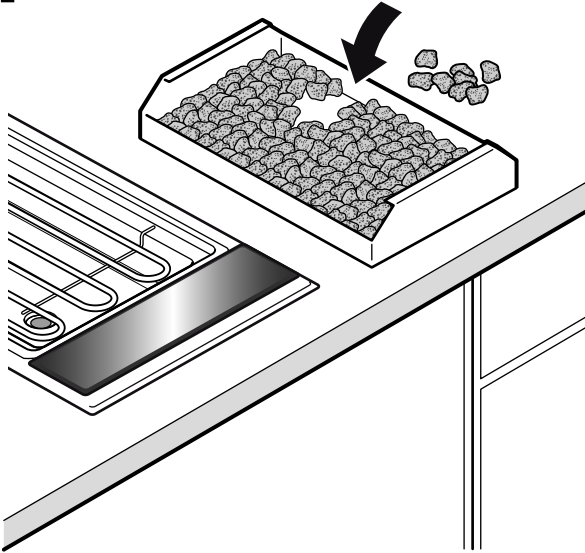
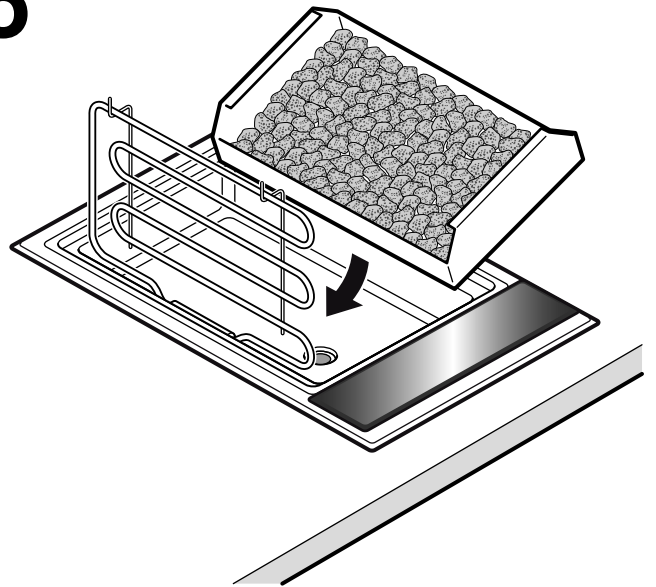
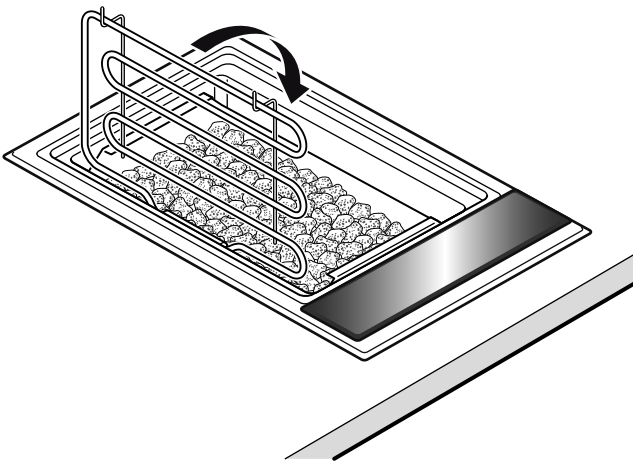
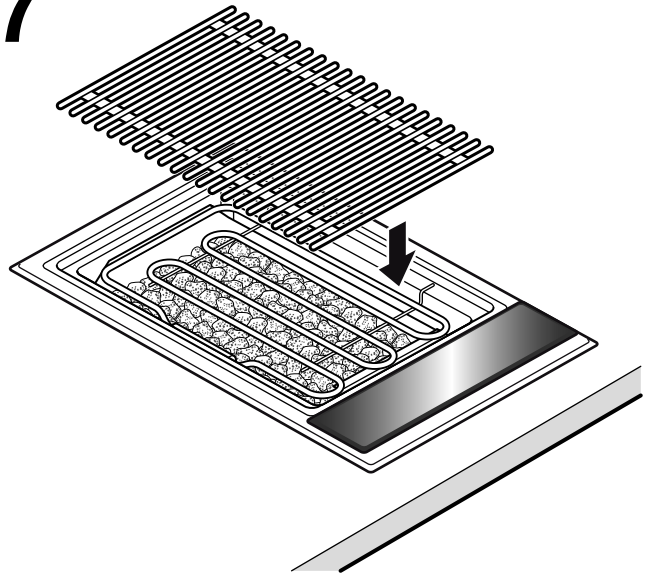


1



2**3****4****5****6****7**

Important safety information

Read these instructions carefully. Only then will you be able to operate your appliance safely and correctly. Retain the instruction manual and installation instructions for future use or for subsequent owners.

Check the appliance for damage after unpacking it. Do not connect the appliance if it has been damaged in transport.

The appliance can only be used safely if it is correctly installed according to the safety instructions. The installer is responsible for ensuring that the appliance works perfectly at its installation location.

The appliance must be connected to the mains only by a licensed and trained technician.

Before carrying out any type of work, turn off the electricity.

Wear protective gloves to prevent injury from cuts. Parts that are accessible during installation may have sharp edges.

For installation, currently applicable building regulations and the regulations of the local electricity supplier must be observed.

This appliance corresponds to appliance class 3 (for installation in a kitchen unit). It must be fitted according to the installation drawing. Observe the minimum distance to side walls or furniture parts and to the rear wall.

This appliance is not intended for operation with an external timer or an external remote control.

Preparing the units (Fig.1)

The fitted unit must be heat-resistant up to 90 °C. The fitted unit must still be sturdy after the cut-outs have been made.

The use of plastic back-splash strips on work surfaces behind the built-in appliance is not permitted.

Make the cut-out in the work surface in accordance with the installation drawing. The angle of the intersection to the work surface must be 90°.

After making the cut-outs, remove any shavings. Cut surfaces: Seal with heat-resistant and waterproof material.

Observe the minimum clearance of 10 mm between the bottom of the appliance and unit parts.

Note: Ensure that there is free space for a container in the base unit so that water can be drained from the grill.

Electrical connection

Appliance with power cable but no plug: When connecting to the mains, comply with the applicable national connection regulations.

Ensure that there is sufficient fuse protection for the household wiring. Comply with the specifications on the rating plate.


The appliance corresponds to protection class I and must only be operated with a protective earth connection.

If the plug is no longer accessible following installation, an all-pole isolating switch with a contact gap of at least 3 mm must be present on the wiring side.

If the power cable has been damaged, it must be replaced with a special cable. This must not be carried out by persons other than our after-sales service.

Power cable: Type H05 VV-F or H05 VVH2-F (3G1.5 mm²).

Do not kink or trap the connecting cable.

Please note, for appliances with a display: If  appears on the display, the appliance has not been connected correctly. Disconnect the appliance from the mains and check the connection.

Always disconnect the appliance from the power supply when carrying out repair work. Never open the appliance; if you need it to be opened, inform the after-sales service.

Fitting the appliance

Insert the appliance into the cut-out in such a way that the operating controls are at the front, and secure it in place using the clamping elements.

Note: Do not use an electric screwdriver.

Assembly kit

When installing two or more appliances directly beside each other, one or more assembly kits are required.

Removing the appliance

Disconnect the appliance from the power supply. Push out the appliance from below.

Caution!

Damage to the appliance. Do not lift up the appliance from above.

