

*Installation*

# INSTRUCTIONS

Professional Custom Insert Hoods



*Installation*

# INSTRUCTIONS

## Professional Custom Insert Hoods

Table of Contents (English).....	2
Table de Matières (Français).....	21
Índice de Materias (Español).....	42

**Models |  
Modèles |  
Modelos:**

VCIN36GWS  
VCIN42GWS  
VCIN48GWS  
VCIN54GWS  
VCIN60GWS

# Table of CONTENTS

---

Safety .....	3
Important Safety Instructions .....	3
Advance Planning .....	5
Before You Begin .....	5
General Information .....	6
Installation Instructions .....	7
Installation Considerations .....	7
Electrical Requirements .....	8
Ductwork Preparation .....	9
Common Ducting Configurations .....	11
Choosing the Correct Blower .....	12
Hood Transition .....	12
Preparing the Ceiling Cutout and Housing .....	13
Custom Insert Installation with Hood Trims .....	13
Blower Motor Installation .....	15
Electrical Wire Connection .....	17
Make-Up Air Damper Relay Switch (optional).....	17
Remote Control Installation (optional) .....	18
Installing Filters and Grease Trays.....	19
Installer Checklist and Service .....	20
Installer Checklist .....	20
Before Calling Service .....	20
Product Data Rating Plate .....	20
Service, parts, and accessories .....	back page

# Safety DEFINITIONS

---



---

## ▲ WARNING

---

This indicates that death or serious injuries may occur as a result of non-observance of this warning.

---



---

## ▲ CAUTION

---

This indicates that minor or moderate injuries may occur as a result of non-observance of this warning.

---

**NOTICE:** This indicates that damage to the appliance or property may occur as a result of non-compliance with this advisory.

**Note:** This alerts you to important information and/or tips.

*This THERMADOR® appliance is made by*  
 BSH Home Appliances Corporation  
 1901 Main Street, Suite 600  
 Irvine, CA 92614

---

*Questions?*  
 1-800-735-4328  
 www.thermador.com

*We look forward to hearing from you!*

## **⚠ IMPORTANT SAFETY INSTRUCTIONS** **READ AND SAVE THESE INSTRUCTIONS**

**INSTALLER:** Save these instructions for the local electrical inspector's use. Please leave these instructions with this unit for the owner. Show the owner the location of the circuit breaker or fuse. Mark it for easy reference.

**OWNER:** Read and save these instructions. Please retain these instructions for future reference.

---

### **⚠ WARNING**



If the information in this manual is not followed exactly, a fire or explosion may result causing property damage, personal injury or death.

- 
- DO NOT store or use gasoline or other flammable vapors and liquids in the vicinity of this or any other appliance.
  - WHAT TO DO IF YOU SMELL GAS
    - DO NOT try to light any appliance.
    - DO NOT touch any electrical switch.
    - DO NOT use any phone in your building.
    - Immediately call your gas supplier from a neighbor's phone. Follow the gas supplier's instructions.
    - If you cannot reach your gas supplier, call the fire department.
  - Installation and service must be performed by a qualified installer, service agency or the gas supplier.
- 

---

### **⚠ WARNING**

Turn off power circuit at service panel and lock out panel before wiring this appliance. Requirement: 120 VAC, 60 Hz, 15 A or 20 A for some models. Allow the appliance to cool after the power has been turned off before servicing the appliance.

---

---

### **⚠ WARNING**

#### **Automatically Operated Device**

To reduce the risk of injury disconnect from power supply before servicing.

---

---

### **⚠ WARNING**

#### **TO REDUCE THE RISK OF FIRE, ELECTRIC SHOCK, OR INJURY TO PERSONS, OBSERVE THE FOLLOWING:**

- Use this unit only in the manner intended by the manufacturer. If you have questions, contact the manufacturer.
  - Before servicing or cleaning unit, switch power off at service panel and lock the service disconnecting means to prevent power from being switched on accidentally. When the service disconnecting means cannot be locked, securely fasten a prominent warning device, such as a tag, to the service panel. Contact the manufacturer at the address or telephone number listed on the back page.
- 

---

### **⚠ WARNING**

**DO NOT** repair or replace any part of the appliance unless specifically recommended in the manuals. Improper installation, service or maintenance can cause injury or property damage. Refer to this manual for guidance. All other servicing should be done by a qualified technician.

---

---

### **⚠ WARNING**



#### **ELECTRICAL SHOCK HAZARD**

- **DO NOT** remove connections.
  - **DO NOT** use an extension cord.
  - Improper grounding can result in a risk of electric shock.
  - Failure to follow these instructions can result in death, fire, or electrical shock.
-

# **IMPORTANT SAFETY INSTRUCTIONS**

## READ AND SAVE THESE INSTRUCTIONS

### Grounding Instructions

This appliance must be grounded. In the event of an electrical short circuit, grounding reduces the risk of electric shock by providing an escape wire for the electric current.

Be sure your appliance is properly installed and grounded by a qualified technician. Installation, electrical connections and grounding must comply with all applicable codes.

If required by the National Electrical Code (or Canadian Electrical Code), this appliance must be installed on a separate branch circuit.

---

### **WARNING**

To reduce the risk of fire or electric shock, **DO NOT** use this appliance with any solid-state speed control devices.

---

### Safety Codes and Standards

This appliance complies with one or more of the following Standards:

- UL 507, The Standard for the Safety of Electric Fans
- CSA C22.2 No. 113, Fans and Ventilators

It is the responsibility of the owner and the installer to determine if additional requirements and/or standards apply to specific installations.

---

### **CAUTION**



Unit is heavy and requires at least two people or proper equipment to move and install.

Hidden surfaces may have sharp edges. Use caution when handling the appliance. Failure to do so may result in property damage or personal injury.

---

---

### State of California Proposition 65 Warning:

#### **WARNING**

This product can expose you to chemicals including vinyl chloride, which is known to the State of California to cause cancer and birth defects or other reproductive harm. For more information go to [www.P65Warnings.ca.gov](http://www.P65Warnings.ca.gov).

---

Never modify or alter the construction of the appliance. For example, do not remove panels, wire covers or brackets/screws.

---

### **CAUTION**

For general ventilating use only. **DO NOT** use to exhaust hazardous or explosive materials and vapors. To reduce the risk of fire, use only metal ductwork.

---

Use a qualified installer.

Remove all tape and packaging before using the appliance. Dispose of packaging in an environmentally-responsible manner. Never allow children to play with packaging material.

---

### **WARNING**

**TO REDUCE THE RISK OF FIRE, ELECTRIC SHOCK, OR INJURY TO PERSONS, OBSERVE THE FOLLOWING:**

- Installation work and electrical wiring must be done by qualified person(s) in accordance with all applicable codes and standards, including fire-rated construction.
  - Sufficient air is needed for proper combustion and exhausting of gases through the flue (chimney) of fuel burning equipment to prevent back drafting. Follow the heating equipment manufacturer's guideline and safety standards such as those published by the National Fire Protection Association (NFPA), and the American Society for Heating, Refrigeration and Air Conditioning Engineers (ASHRAE), and the local code authorities.
  - When cutting or drilling into wall or ceiling, do not damage electrical wiring and other hidden utilities.
  - Ducted fans must always be vented to the outdoors.
  - **USE ONLY METAL DUCTWORK.**
  - **DO NOT** vent exhaust air in spaces with walls or ceilings or into attics, crawl spaces or garages.
- 

---

### **CAUTION**

An outside fan is to be mounted behind louvers or in a location where the entrance of drawn in water is unlikely.

---

# Advance Planning

## Before You Begin

---

### ⚠ CAUTION

---

Before installing, turn power OFF at the service panel. Lock service panel to prevent power from being turned ON accidentally.

---

### Parts Included

- Metal transition with backdraft damper
- Stainless steel baffle filters
- Stainless steel grease trays
- Stainless steel filter spacers
- Side trims
- Blower adapter
- Fastener assortment\*

\* Hardware provided is for mounting through standard thickness drywall or plaster into wood studs. Installers are responsible to provide hardware for other types of mounting situations.

### Tools and Parts Needed

- Blower (refer to the *Ventilation Planning Guide* for compatible blowers)
- Ducting as needed (refer to *Equivalent Duct Lengths for Commonly Used Transitions* table)
- Aluminum tape (**DO NOT use duct tape.**)
- 1/2" (13 mm) conduit if required (follow local codes)
- 1" (25.4 mm) Strain relief
- Phillips screwdriver
- T-20 Torx head screwdriver
- 11/32" nut driver or socket and ratchet
- Drill with 3/16" (4.76 mm) drill bit
- Framing material (as necessary for framework)
- Circular saw or jigsaw
- Wire stripper
- Tape measure
- Protective work gloves

**IMPORTANT: DO NOT** throw away any packaging until appliance is fully installed.

Optional accessories available for separate purchase

Refer to [www.thermador.com](http://www.thermador.com) for more details.

- REMCPW – Built-in Remote Control Accessory
- EXTNCB25W – 25 ft. Remote and In-line Blower Extension Cable
- WC8 - 8" Wall Cap
- WC10 - 10" Wall Cap
- RFPLT600P - Roof plate for use with 600 CFM Remote Blower VTR630
- RFPLT1000P - For use with 1000 CFM Remote Blower VTR1030 and 1300 CFM Blower VTR1330

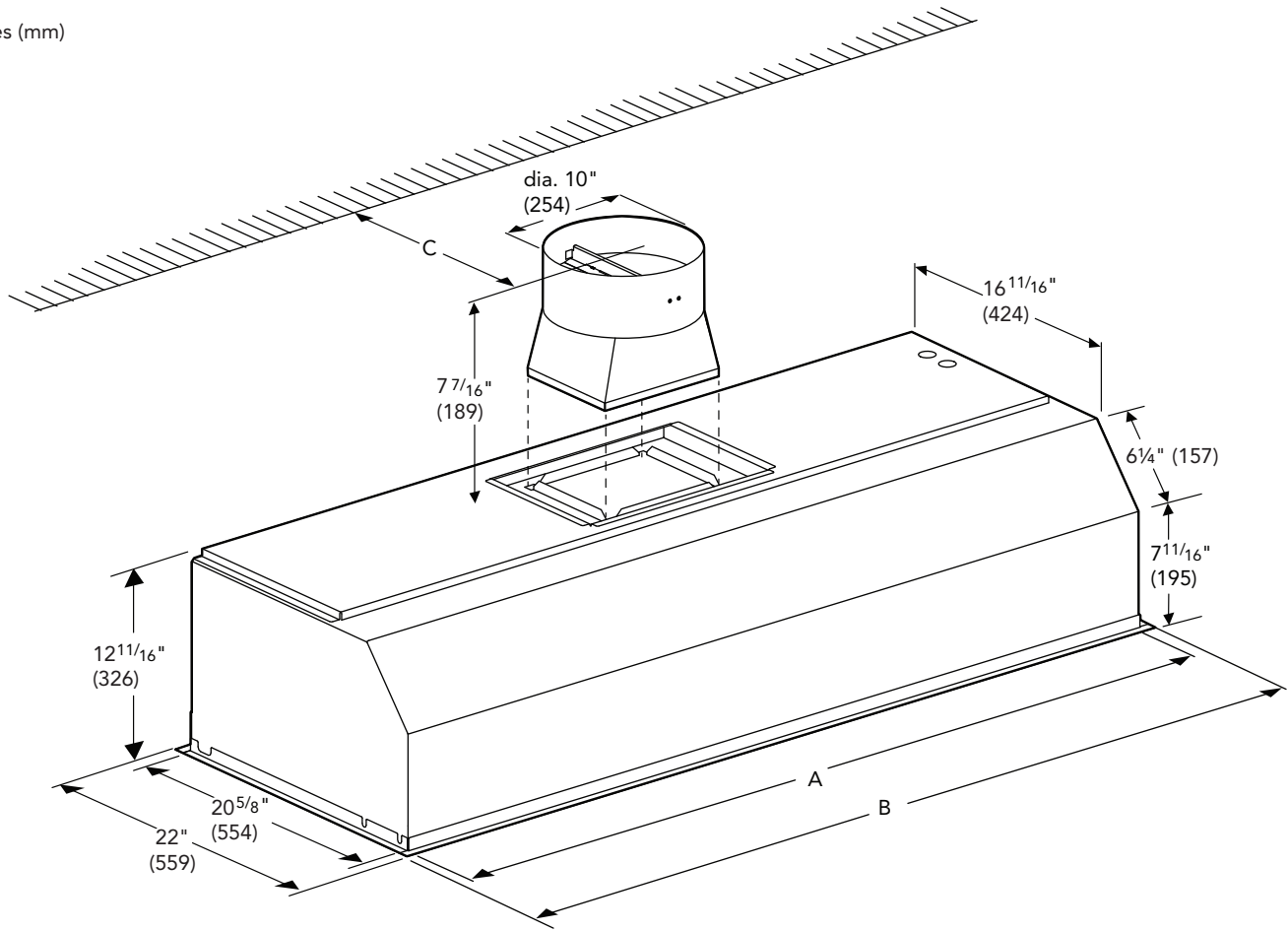


# General Information

## Overall Dimensions

This model series features brushed stainless-steel filters, LED lights, and side trims.

inches (mm)



Model	Dimension A	Dimension B	Dimension C
VCIN36WS	32-3/8" (822)	33-3/4" (857)	With rear trim piece: 7-3/8" – 10-3/8" (187 – 264)
VCIN42WS	38-1/4" (972)	39-3/4" (1,010)	Without rear trim piece: 6-5/8" – 9-5/8" (168 – 245)
VCIN48WS	44-3/8" (1,127)	45-3/4" (1,162)	
VCIN54WS	50" (1,270)	51-3/4" (1,315)	
VCIN60WS	56-1/2" (1,435)	57-3/4" (1,467)	

**NOTE:** Transition is centered horizontally. For optimal performance, the hood should be mounted flush against the back wall. In such installations, the rear trim piece is not necessary. For installations of 1/2" – 3" (13 – 76 mm) from the back wall, the rear trim piece can be used.

**IMPORTANT:** The hood needs to be centered over the cooking surface for best performance.

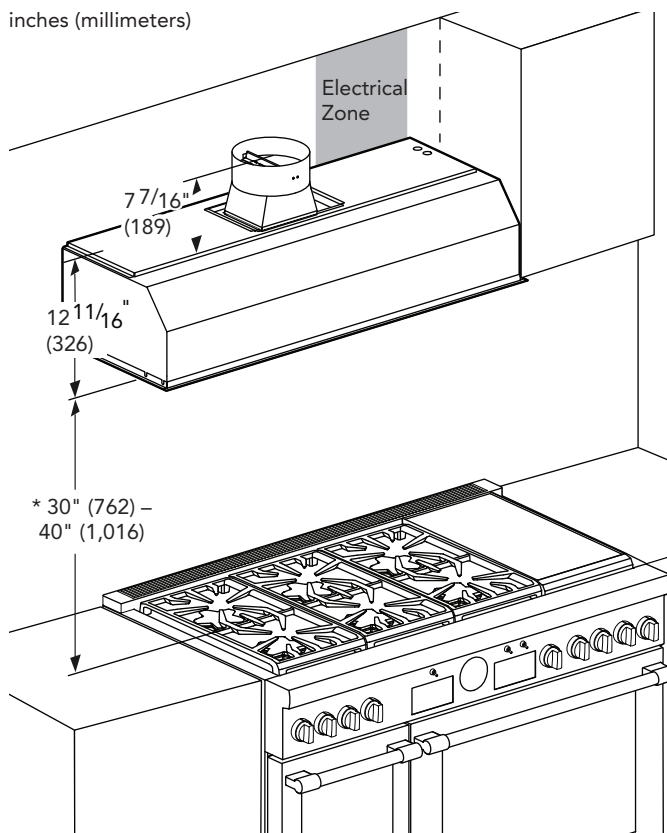
# Installation Instructions

## Installation Considerations

### Clearances and requirements

The custom insert unit is designed for installation inside a custom-built hood assembly. It is for ducting to the outside. It cannot be used in conjunction with a recirculation unit.

Hood installation height above a cooktop, rangetop or range can vary. To obtain the necessary installation height above a cooktop, rangetop or range, consult the appliance's installation manual.



\* Follow cooking appliance manufacturer's recommendations.

**NOTICE:** The hood could incur some damage from heat if a Thermador Professional® series range or rangetop is operated with multiple burners at high settings under a hood that is installed at minimum clearances while the hood is turned off.

### Hood Width

The hood width should be no less than the width of the cooking surface. For proper performance, the housing must cover the entire cooking surface.

For proper performance, the hood must be centered horizontally above the cooking surface. Where space is not restricted, a wider hood can be used to increase capture area.

### Distance From Cooking Surface

The installation height ranges from a minimum height of 30" (762 mm) to a suggested maximum height of 40" (1,016 mm); however, it is necessary to follow the cooking appliance manufacturer's installation instructions for proper hood height.

### Unit Weight

This vent hood is heavy. Adequate structure and support must be provided in all types of installations. When calculating the load for the housing support system, be sure to consider the weight of the ventilation unit.

Description	Weight
VCIN36WS	53 lb (24 kg)
VCIN42WS	63 lb (29 kg)
VCIN48WS	69 lb (31 kg)
VCIN54WS	79 lb (36 kg)
VCIN60WS	85 lb (39 kg)
Integral Blower VTN1090R	23 lb (11 kg)
Integral Blower VTN630W	11 lb (5 kg)

#### NOTICE:

The supplied weights address only the ventilation unit or blower. Installer must account for weight of any materials of construction when calculating the total dead weight load of installation, including but not limited to: wall, tile, mortar, plaster, brick, finishes, partitions, and other similarly incorporated architectural and structural items. It is the responsibility of the owner and the installer to determine if additional requirements and/or standards apply to specific installations.



## Blower Motors

Integral, In-line and Remote blowers are available through your authorized Thermador® dealer. For local dealer information, visit the *Find a Dealer* section of our website at [www.thermador.com](http://www.thermador.com).

The blower performance options will vary in cubic feet per minute (CFM) and is dictated by the cooking surface, the volume of air that needs to be moved and the length of the duct run. Refer to the *"Blower Motor Installation"* section for detailed blower motor information.

## Support Structure

Due to the weight of the hood, make sure the hood is attached to all available wall studs.

Framing must be fastened together and to ceiling joists to provide enough structural strength to support the weight of the hood and internal blower, if applicable.

Wall framing should be, at minimum, made of 2"x 4" lumber. Proper structural support is required to accommodate the weight of the hood.

## Electrical Requirements

The unit requires a 120V AC, 60Hz, 15A branch circuit. The VTR1330 blower in conjunction with a PHxxGWS requires a 20 amp circuit breaker. The hood should only be connected to a dedicated circuit (with ground) that has been installed according to relevant regulations.

When connected to a GFCI-protected supply, Thermador Professional® hoods are suitable for use in damp locations that are protected from outside weather conditions and not subject to saturation with water and other liquids, but can be subject to moderate degrees of moisture (such as an outdoor covered patio or lanai area). Refer to local codes, NEC/CEC, and or the Authority Having Jurisdiction (AHJ) for additional information.

Check your local building codes for proper method of installation. In the U.S., this unit should be installed in accordance with applicable local codes or, in the absence of local codes, with the National Electrical Code, NFPA 70 or the Canadian Electric Code, CSA C22.1-02.

---

### **⚠ WARNING**

---

The appliance must be grounded.

---

**NOTE:** The 25 ft. Remote and In-line Blower Extension Cable accessory (EXTNCB25W) will only work for distances up to 25 ft. The accessory cable must be purchased separately. **DO NOT** use more than one Blower Extension Cable per installation.

## Electrical Data

Data, including the model and serial number, is located on the product data rating label inside the appliance, visible after removal of the filter frame (see "Product Data Rating Label").

# Ductwork Preparation

## Discharge Direction

The exhaust air is discharged upwards through a duct or directly through the outside wall into the open.

## Ducting Recommendations

Proper performance is dependent upon proper ducting. Local building codes may require the use of make-up air systems when using ducted ventilation systems greater than specified cubic feet per minute (CFM) of air movement. The specified CFM varies from locale to locale. It is the responsibility of the owner and the installer to determine if additional requirements and/or standards apply to specific installations.

**DO NOT USE FLEXIBLE DUCT;** it creates back pressure/air turbulence and reduces performance. Always install a metal vent cover where the ductwork exits the house. Hood must be vented to the outside of building only.

**COLD WEATHER** installations should have an additional backdraft damper installed to minimize backward cold air flow and a nonmetallic thermal break to minimize conduction of outside temperatures as part of the ductwork. The damper should be on the cold air side of the thermal break. The break should be as close as possible to where the ducting enters the heated portion of the house.

**MAKE-UP AIR:** Local building codes may require the use of make-up air systems when using ducted ventilation systems greater than specified CFM of air movement. The specified CFM varies from locale to locale. It is the responsibility of the owner and the installer to determine if additional requirements and/or standards apply to specific installations.

To reduce risk of fire and to properly exhaust air, be sure to duct air outside. Do not vent exhaust air in spaces with walls or ceilings or into attics, crawl spaces or garages.

The unit cannot be used in conjunction with a recirculation unit.

Thermador recommends not exceeding 50 ft (15.24 m) equivalent of duct.





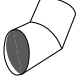
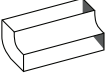

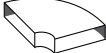
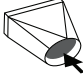
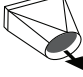
Keep duct runs as short and straight as possible. Elbows and transitions fittings reduce air flow efficiency. Back to back elbows and "S" turns give very poor delivery and are not recommended.

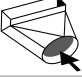
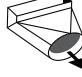
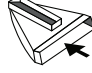
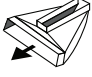
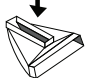
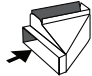


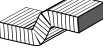

A short, straight length of duct at the inlet of a remote blower gives the best delivery.

Hoods are supplied with a 10" (254 mm) transition. A locally supplied transition is required for other sizes.

Use the *"Equivalent Duct Lengths for Commonly Used Transitions"* table to compute permissible lengths for duct runs to outdoors.

# Equivalent Duct Lengths for Commonly Used Transitions

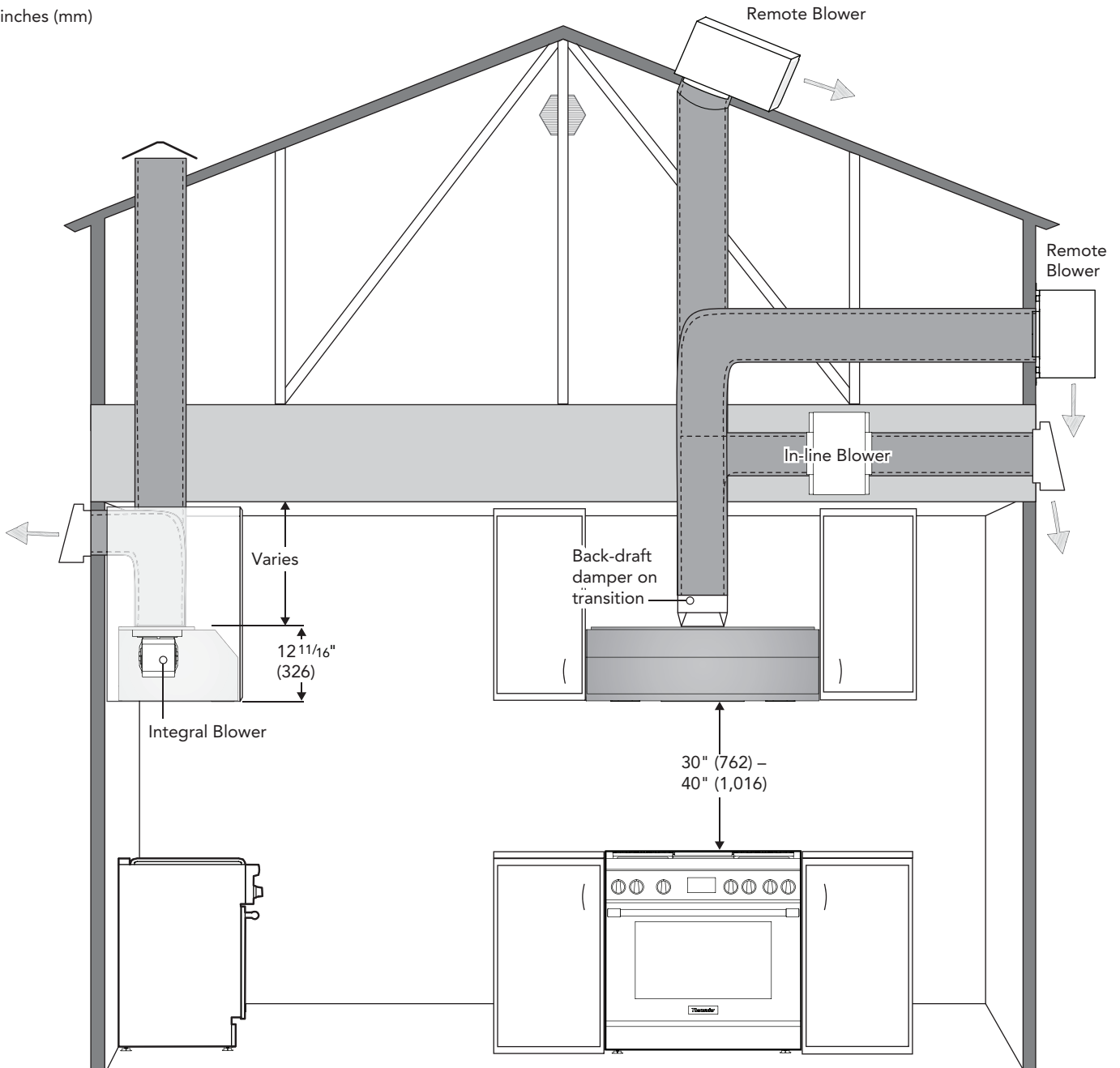
Duct Piece	Size (in)	Equivalent Length (ft)
 Smooth, straight	6	1.2
	8	0.7
	10	0.6
 3/4" x 10", straight	N/A	1
 3/4" x 14", straight	N/A	0.7
 90° elbow , round	6	12
	8	6
	10	5
 45° elbow , round	6	5
	8	3
	10	2
 3/4" x 10", 90° elbow , round	N/A	5
 3/4" x 10", 45° elbow , round	N/A	15
 3/4" x 10", Flat elbow	N/A	20
 Round to 3/4" x 10"	6	1
	8	10
 3/4" x 10" to round	6	5
	8	2

Duct Piece	Size (in)	Equivalent Length (ft)
 Round to 3/4" x 10" 90° elbow ,	6	10
 3/4" x 10" to round 90° elbow ,	6	10
 3/4" x 10" Center reverse elbow , left	N/A	15
 3/4" x 10", Center reverse elbow , right	N/A	25
 3/4" x 10", Left reverse elbow	N/A	15
 3/4" x 10", Right reverse elbow	N/A	25
 Round wall cap	6	2
	8	2
	10	2
 Round roof cap	6	2
	8	2
	10	2
 2' long, 3/4" x 10" flex	N/A	20
 3/4" x 10", Roof jack and shutter	N/A	2

**NOTE:** These commonly used installation parts can be purchased at a local hardware store. Thermador does not manufacture all these parts.

# Common Ducting Configurations

inches (mm)



**NOTE:** The figure does not represent all configurations or installation methods. The image is to be used as a guide ONLY.

# Choosing the Correct Blower

It is recommended to use only Thermador blowers with Thermador ventilation hoods. See the *Ventilation Planning Guide* for recommended blowers. Contact Customer Service for additional options (see the back page for contact information).

**IMPORTANT:** Cutting off a connector to the appliance, blower, or to the extension cable kit will void the warranty.

Blower selection will vary based on the volume of air that needs to be moved and the length and location of the duct run. For long duct runs with multiple turns and bends, consider using a more powerful blower. For the most efficient air flow exhaust, use a straight run or as few elbows as possible.

## Integral Blowers

These blowers are integrated into the hood at the time of installation.

## Remote Blowers

Depending on preference and ducting situation, these blowers can be mounted on the roof or exterior wall of the home. An exterior installation may be more appealing to reduce noise in the kitchen.

## In-line Blowers

To minimize noise in the kitchen, these blowers are mounted along the duct line anywhere between the kitchen and the exterior wall. If there is easy access to duct line (in an attic, for example), this may be an appealing option.

## 25 ft. Remote and In-line Blower Extension Cable

The 25 ft. Remote and In-line Blower Extension Cable (EXTNCB25W) is available to connect the hood to the In-line and Remote Blowers for distances up to 25 ft. Accessory cable must be purchased separately. **DO NOT** use more than one Blower Connector Cable per installation.

# Hood Transition

## Discharge Direction

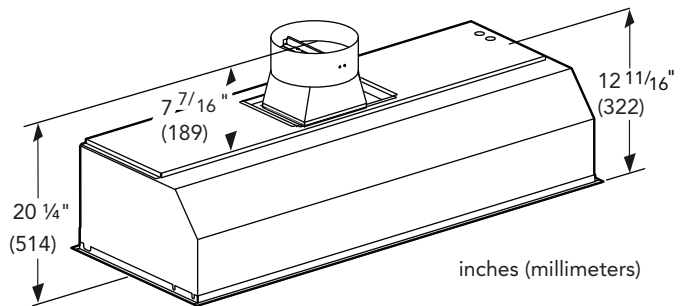
The exhaust air is discharged upwards through a duct or directly through the outside wall into the open.

The hood can be mounted on the wall only with a vertical discharge.

## Assembly of the Transition

Hoods are supplied with a 10" (254 mm) round transition. A locally supplied transition is required for other sizes.

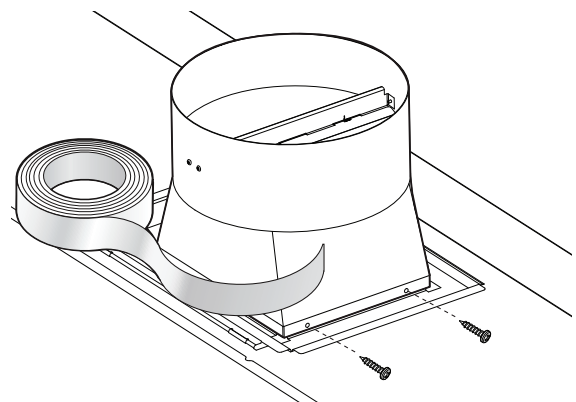
1. A minimum height clearance of 7-7/16" (189 mm) is needed above the hood for transition mounting.



2. Align mounting holes at base of transition over the mounting holes of the 1/2" (13 mm) flange located at the top of the hood.
3. Fasten transition to hood using four (4) 1/4" (6 mm) sheet metal screws included with hood.

**Note:** Screws must not hinder damper operation.

4. Seal connection between transition and hood with aluminum tape. **DO NOT** use duct tape. Ensure that the connection is completely sealed.



5. Remove tape holding damper closed.

# Preparing the Ceiling Cutout and Housing

The unit must be mounted to the surrounding housing. See "Installation Considerations" on page 7 for suggestions on determining hood height.

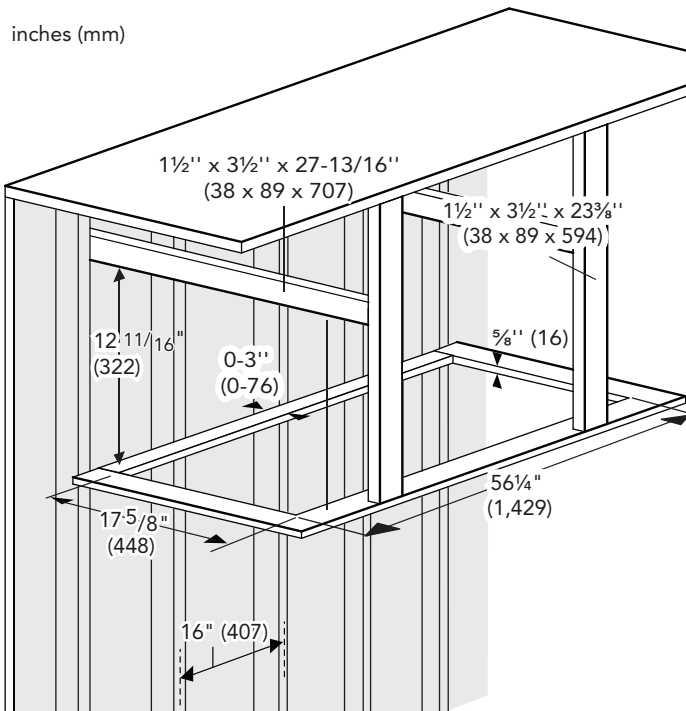
When calculating the load for the housing support system, be sure to include the weight of the ventilation unit. See "Unit Weight" on page 7 for unit weight.

Build housing in accordance with the dimensions noted in "Ceiling Cutout and Supporting Stud Housing Dimensions".

For optimal performance, the hood should be mounted flush against the back wall. In such installations, the rear trim piece may not be necessary.

For installations of 1/2" – 3" (13 – 76 mm) from the back wall, the rear trim piece can be used.

## Ceiling Cutout and Supporting Stud Housing Dimensions



# Custom Insert Installation with Hood Trims

## ⚠ CAUTION



The hood requires at least two people to lift it safely.

Hidden surfaces may have sharp edges. Use caution when handling the appliance. Failure to do so may result in property damage or personal injury.

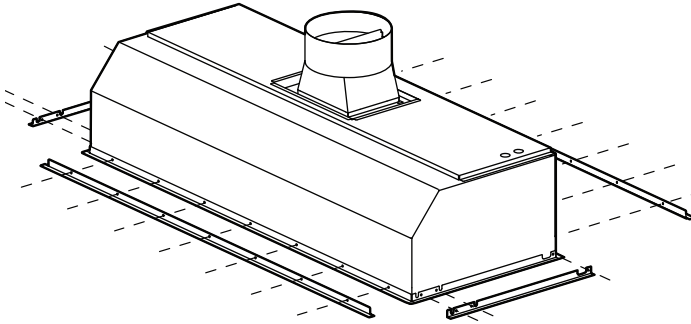
## ⚠ WARNING

To avoid electrical shock hazard, before installing, switch power off at the service panel and lock the panel to prevent the power from being switched on accidentally.

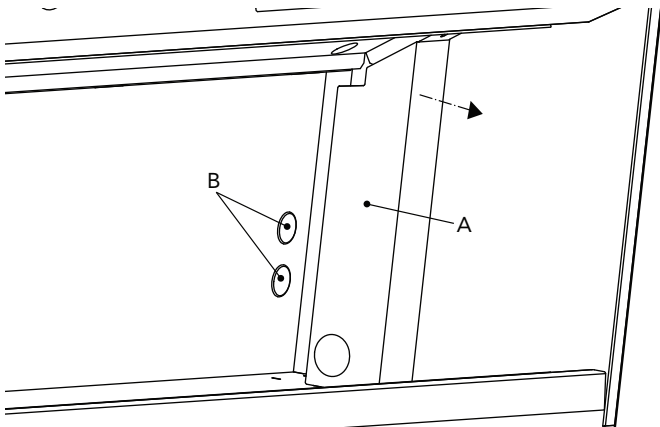
1. Turn power OFF at the service panel. Lock service panel to prevent power from being turned ON.
2. Prepare the ductwork.
  - a) Refer to "Ductwork Preparation" on page 9.
  - b) Install metal transition with backdraft damper so that the flap opens up toward the ceiling. If necessary, install thermal break and additional backdraft damper (refer to "Hood Transition" on page 12).
3. Build the housing framework.
  - a) Refer to "General Information" on page 6 for the model dimensions.
  - b) Refer to "Clearances and requirements" on page 7 for clearance specifications.
  - c) Build housing framework for applicable model according to dimensions in "Preparing the Ceiling Cutout and Housing" beginning on page 13.



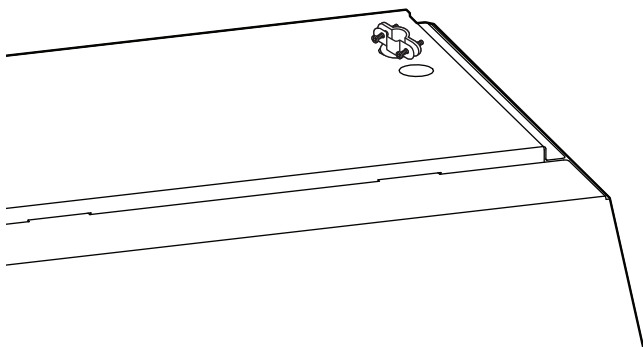
4. Install the hood trim.
  - a) Hold trim flush to the bottom of the housing. Secure the trim to the hood with (20) x 3/8" (9.5 mm) screws.
  - b) The back trim piece may not be necessary in some installation scenarios where there is a 1/2" (12.7 mm) or less space between the hood and the back wall.



5. Prepare for the wire routing.
  - a) Remove the junction box cover.
  - b) Remove one circular knockout.

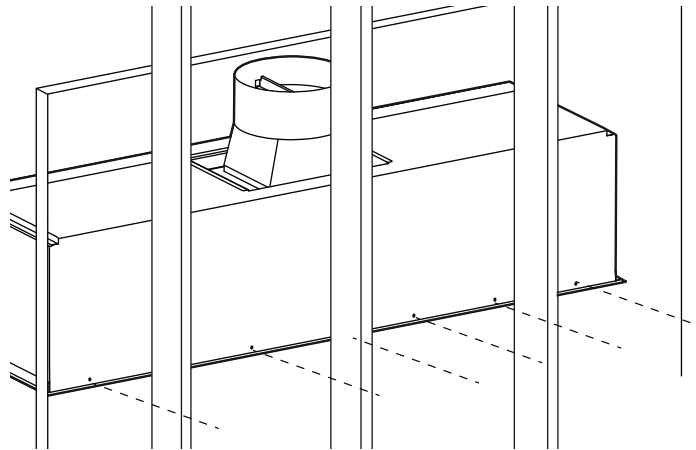


- c) Install strain relief (not included) into one of the circular knockouts.

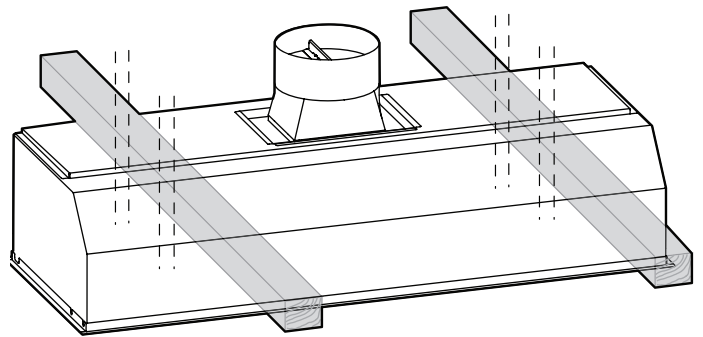


6. Install the unit.
  - a) Install the custom insert inside the custom housing.

- b) Secure to the rear of the housing framework using six (6) x 1" (25.4 mm) mounting screws, as indicated below.



- c) Secure to the top of the housing framework using eight (8) x 1" (25.4 mm) mounting screws, 4 per side.



7. Connect to the ductwork.
8. Install the blower motor.
  - a) Refer to "Choosing the Correct Blower" on page 12.
  - b) Refer to "Blower Motor Installation" beginning on page 15.
9. Connect the electrical wiring.
  - a) Connect wiring for applicable blower motor (see blower instructions beginning on page 15).
10. Install hood filters and grease trays.
  - a) Refer to "Installing Grease Trays and Filters" on page 19.
11. Test the installation.
  - a) Test the operation of the blower and the lights.
  - b) Be sure to check for back-draft. With the blower on high, close the windows and doors to the area to ensure that fan does not cause back drafting in any outlet vent for another appliance.

# Blower Motor Installation

## Blower and Circuit Breaker Ratings

Blower	SKU	Voltage	Current	Breaker Amp
Remote	VTR630	120	4.2	15
Remote	VTR1030	120	5.7	15
Remote	VTR1330	120	8.5	15 / 20
In-line	VTI610	120	4.2	15
In-line	VTI1010	120	5.7	15
Integral	VTN630	120	4.2	15
Integral	VTN1090	120	5.4	15

### ⚠ CAUTION

To reduce the risk of fire and electric shock, install this range hood only with the blowers listed in the *Ventilation Planning Guide*.

**NOTE:** Cutting the plug of the blower will void the warranty or eligibility for return or exchange.

All blower models are sold separately. Use only Thermador blowers with these ventilation hoods. See the *Ventilation Planning Guide* for recommended blowers. Contact Customer Service for additional options.

All hood models are rated for 120V AC installed with a blower listed in the table above, using a 15 amp dedicated circuit breaker. The VTR1330 blower in conjunction with a PHxxGWS requires a 20 amp circuit breaker.

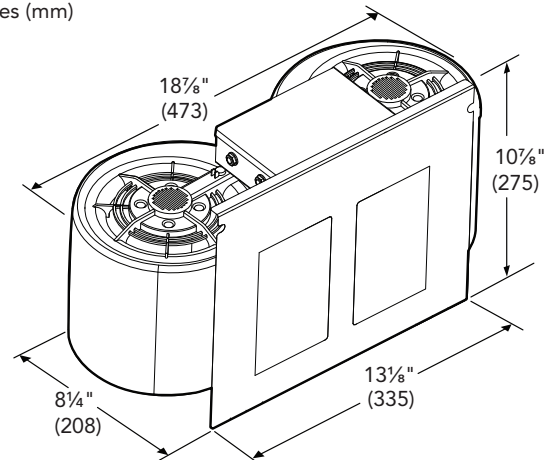
Blower selection will vary based on the volume of air that needs moved and the length and location of the duct run. For long duct runs with multiple turns and bends, consider using a more powerful blower. For the most efficient air flow exhaust, use a straight run or as few elbows as possible (refer to "Ductwork Preparation").

## Integral blower installation

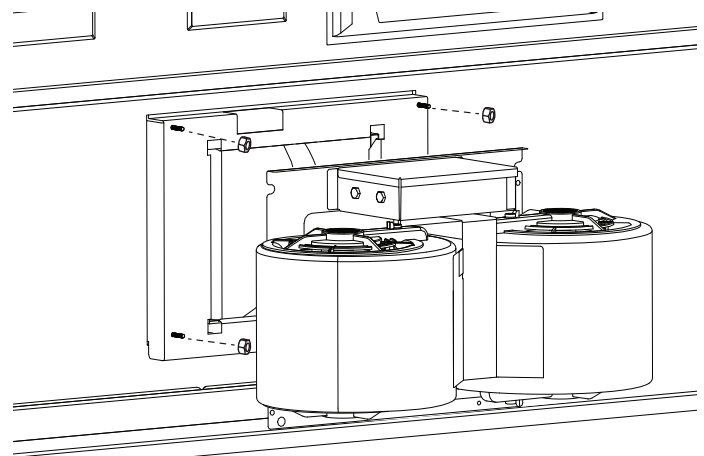
Integral blower models are integrated into the hood at the time of installation. Integral blowers should be installed after the hood is mounted to the wall.

For complete installation instructions see the instructions supplied with the blower unit.

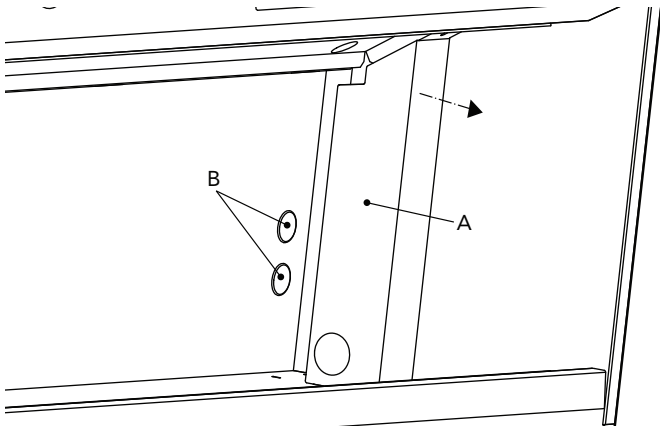
inches (mm)



1. The blower is attached to the hood using weld studs on the mounting plate. Guide the motor mounting plate over the studs.
2. Attach four (4) nuts (included with hood) to the weld studs. Tighten nuts with a 11/32" nut driver to secure the blower to the hood.



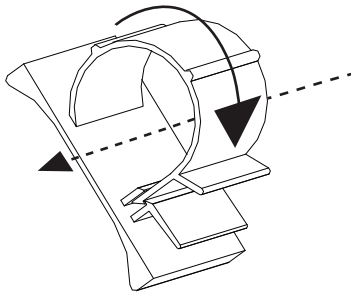
3. Prepare for the wire routing.
  - Remove the junction box cover (A).
  - Remove one circular knockout (B).



4. Connect the blower's plug connector to the connector present inside the hood.



5. Route the blower harness through the self-locking clip.

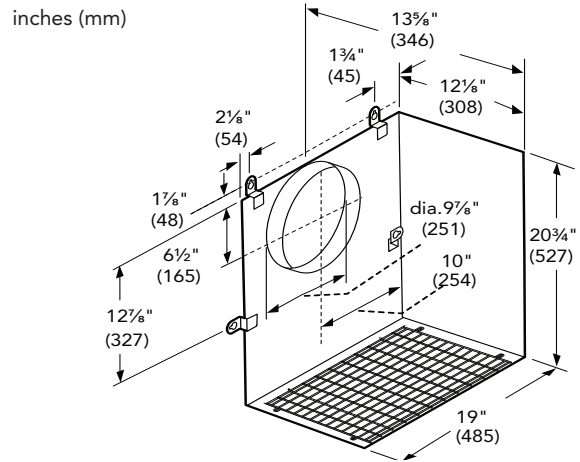


## Installing a Remote Blower or an In-line Blower

For complete installation instructions see the instructions supplied with the blower unit.

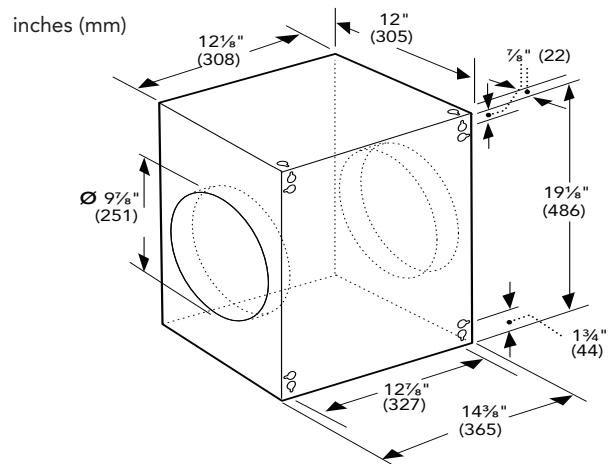
### Remote Blower

Depending on preference and ducting situation, these blowers can be mounted on the roof or exterior wall of the home. An exterior installation may be more appealing to reduce noise in the kitchen.



### In-line Blower

To minimize noise in the kitchen, these blowers are mounted along the duct line anywhere between the kitchen and the exterior wall. If there is easy access to duct line (in an attic, for example), this may be an appealing option.

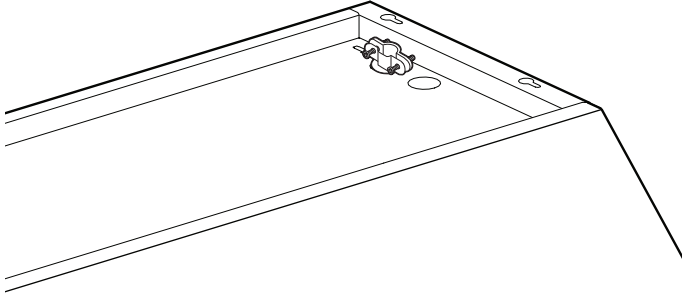


### Blower Wire Connection

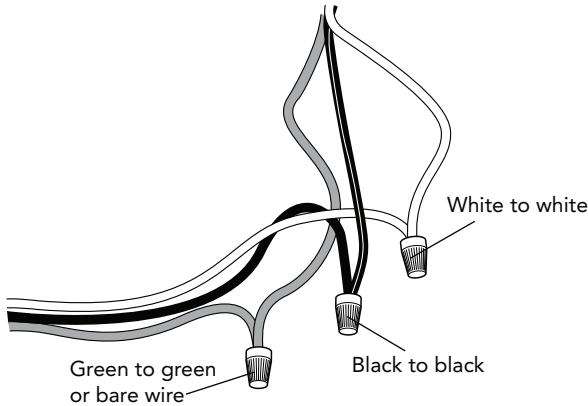
1. Remove junction box channel covering the wires.
2. Remove one circular knockout.
3. Route the blower motor's plug connector to the hood. Connect the blower's harness to the hood harness.

# Electrical Wire Connection

1. Run a 120V AC, 15A circuit power cable or 20A for a PHxxGWS product and the VTR1330 blower from the service panel through one of the holes in the top plate.



2. Connect black wire to power supply black wire, white wire to power supply white wire and green wire to green wire or bare wire.



3. Place all wiring connections inside the junction box channel. Reinstall on the top plate. Ensure that the wires are secure and that no wires are pinched.

## EXTNCB25W 25 ft. Remote and In-line Blower Extension Cable (optional)

### Parts Included

- 1 – 25ft cable
- 2 – Adapter Cables (NOT NEEDED for all models)

### Blower Extension Cable Connection

The internal blower harness should be routed through the knockout and secured with a 1" (25.4 mm) strain relief. The remote harness can then be connected to the blower harness outside the unit.

**NOTE:** Cutting of the connector will void the warranty of the appliance.

The blower extension cable is compatible with the following In-line & Remote blowers:

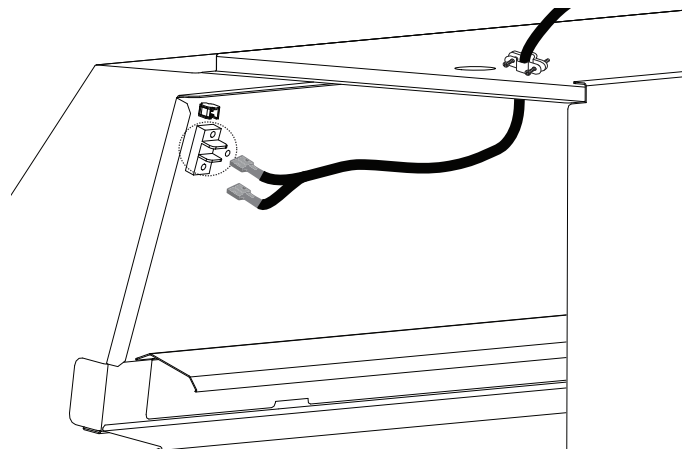
Blower	SKU
Remote Blower	VTR630
Remote Blower	VTR1030
Remote Blower	VTR1330
In-line Blower	VTI610
In-line Blower	VTI1010

## Make-Up Air Damper Relay Switch (optional)

Local codes may require the use of an additional backdraft and/or make-up air damper. Contact your local HVAC professional for specific requirements.

This hood provides a relay switch to connect a Make-Up Air Damper (120V max). Installations will vary according to the location in the home where the unit is installed and the damper used. Use the following illustration as guidance for your installation. Always comply with local code requirements.

1. Access the hood's wiring.
2. Route the Make-up Air Damper harness through the strain relief to the terminal block.
  - The Make-up air kit hot and return connections can use either terminal connection. There is no polarity requirement for the two pin terminal block.



3. Secure the ground wire with the green T-20 ground screw.

# Built-in Remote Control Accessory (optional)

Before you begin, read these instructions carefully. It is recommended that the Remote Control be wired to the hood after the hood is installed.

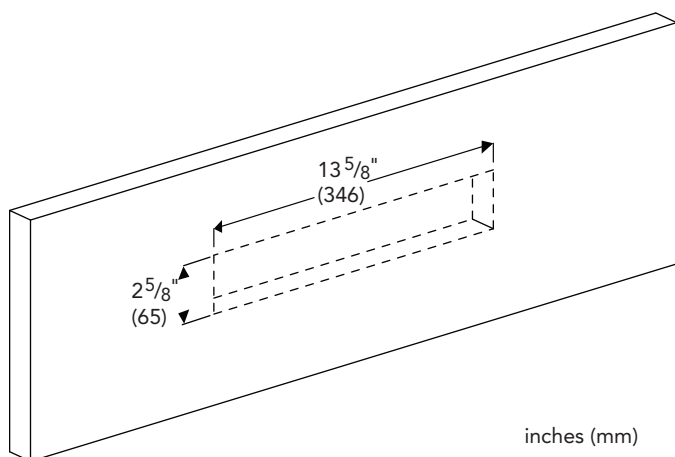
## REMCPW Parts Included

- 1 – Remote control
- 1 – 30 ft. extension harness

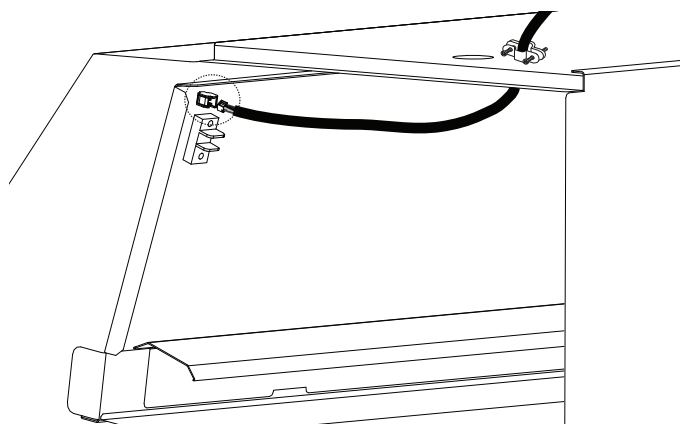
**IMPORTANT:** Cutting off a connector to the appliance or to the extension cable kit will void the warranty.

## Remote Control Installation

1. Prepare the wall (or similar surface) cutout for installation as shown below (view is shown facing wall).

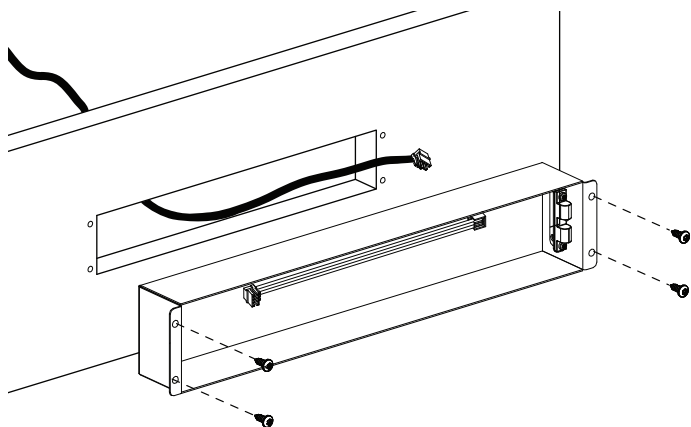


2. Access the hood's wiring. Route the 30 ft. extension harness through the strain relief to the square mounting clip until it clicks.

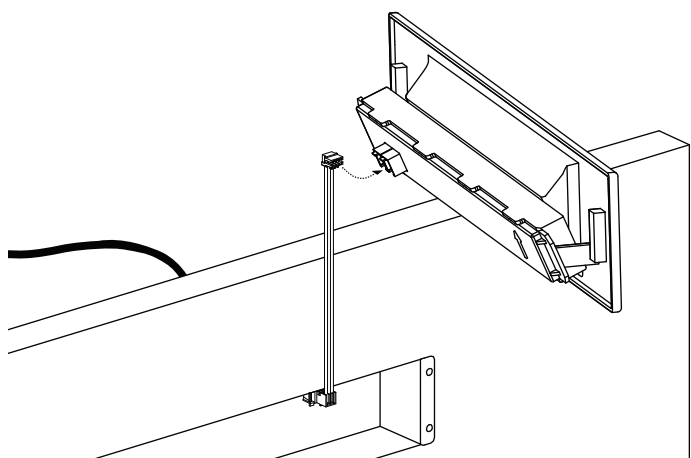


3. Route the 30 ft extension harness through the cutout and connect the harness to the back of the remote control bracket.

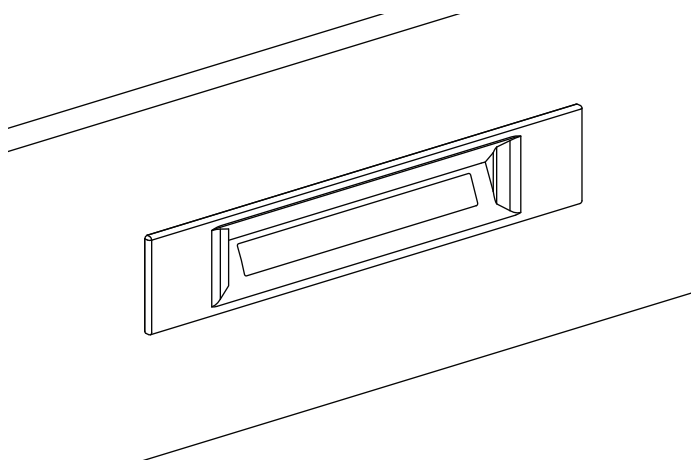
4. Press the bracket inside the cutout. Drill a  $\frac{1}{4}$ " (6 mm) tap hole through the bracket holes into the wall. Mount the bracket to the wall using the four (4) screws provided.



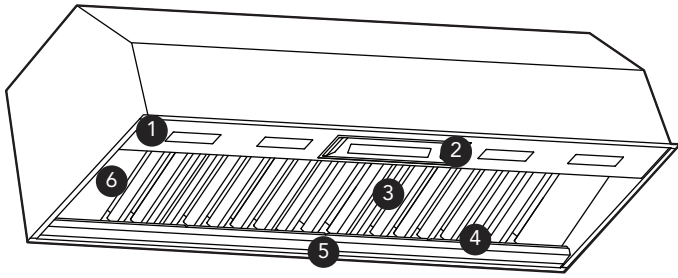
5. Hook up the wire harness connector inside the bracket to the terminal on the back side of the remote control. Use either terminal.



6. Snap the Remote Control into the bracket.



# Installing Grease Trays and Filters

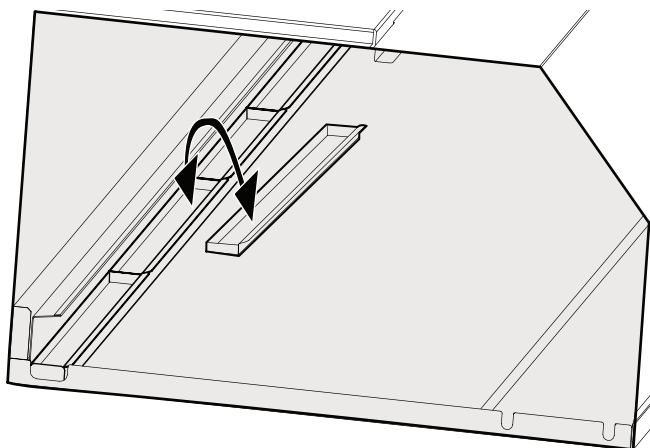


- (1) LED lights
- (2) Touch control panel
- (3) Baffle filters
- (4) Grease trays
- (5) Grease tray trough
- (6) Filter spacers

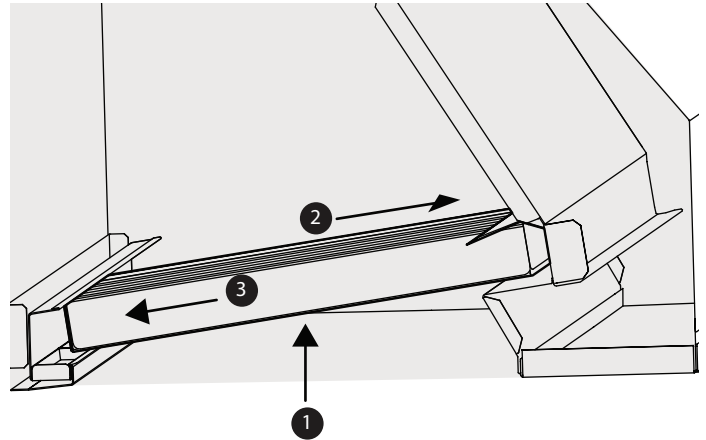
## Install Filters and Grease Trays

**NOTE: DO NOT** use burners, elements, or oven while hood is disassembled.

1. Turn the fan and lights off.
2. Remove all plastic from hood pieces.
3. Insert in the following order:
  - a) Grease tray — Insert in rear tray. Grease trays must be in place before installing the filters. Push the grease tray in and down inside the grease tray trough.
  - The small grease tray must be installed in the center of hood.



- b) Filters — start with inserting the filter in the middle and work out to the ends. Slide the filter up, toward the front of the hood, then push down on top of the grease tray.
- The 8" filter must be installed in the center of hood at all times.



- c) Filter spacers — If applicable, insert the filter spacers on the left and right ends. Push up, slide toward the front of the hood, then push in at the bottom.

Reverse the above directions to remove the grease trays and filters. Ensure filters are cool and grease has congealed before removal.



# Installer Checklist and Service

## Installer Checklist

### Final Check

- \_\_\_\_\_ Specified clearances maintained to cabinet surfaces.
- \_\_\_\_\_ Appliance is level.
- \_\_\_\_\_ All packaging material removed.
- \_\_\_\_\_ Proper ground connection.
- \_\_\_\_\_ Owner is aware of location of the main circuit breaker.
- \_\_\_\_\_ Write the model number and serial number found on the Product Data Rating Label in the Use and Care Guide. Leave the Use and Care Guide and the Installation Instructions with the owner of the appliance.

### To Clean and Protect Exterior Surfaces

- The stainless steel surfaces may be cleaned by wiping with a damp soapy cloth, rinsing with clear water and drying with a soft cloth to avoid water marks. Any mild glass cleaner will remove fingerprints and smears.
- To polish and protect stainless steel, apply a stainless steel conditioner with a soft cloth. The Thermador Stainless Steel Conditioner is available for purchase in the online eShop ([store.thermador.com/us/](http://store.thermador.com/us/)). Order part number 00576697.
- **DO NOT** allow deposits to remain for long periods of time.
- **DO NOT** use ordinary steel wool or steel brushes. Small bits of steel may adhere to the surface causing rust.
- **DO NOT** allow salt solutions, disinfectants, bleaches or cleaning compounds to remain in contact with stainless steel for extended periods. Many of these compounds contain chemicals which could prove harmful. Rinse with water after exposure and wipe dry with a clean cloth.

## Before Calling Service

### Troubleshooting

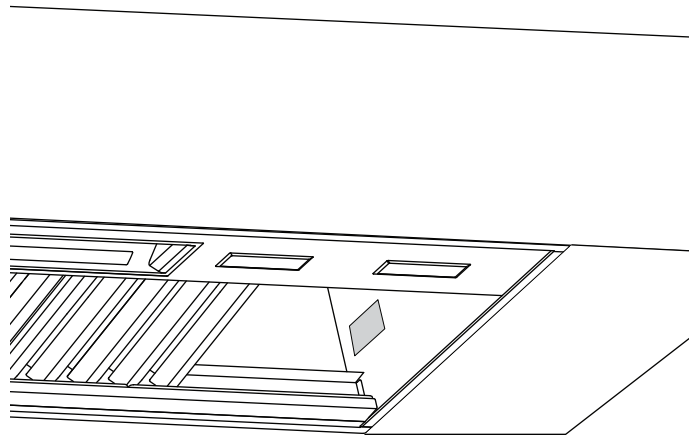
See the Use and Care Guide for troubleshooting information. Refer to the Warranty in the Use and Care Guide. Please be prepared with the information printed on your product data rating label when calling.

To reach a service representative, see the contact information at the back of the manual. Before calling, please note the complete model and serial number printed on your product data rating label.

## Product Data Rating Label

The data rating label shows the model and serial number. It is located under the filter. Refer to the data label on the appliance when requesting service.

The data rating label is located on the frame behind the filter. Remove the filter to view it.



# Table des MATIÈRES

Sécurité .....	22
Consignes de sécurité importantes.....	22
Planification préalable .....	25
Avant de commencer .....	25
Renseignements généraux.....	26
Instructions d'installation .....	27
Facteurs à prendre en compte pour l'installation .....	27
Exigences électriques.....	28
Préparation du conduit d'aération .....	29
Configurations de conduits courants .....	31
Choix d'un ventilateur adéquat.....	32
Assemblage du raccord.....	32
Préparation de l'ouverture du plafond et du boîtier .....	33
Installation encastrée sur mesure avec garnitures.....	33
Installation du ventilateur .....	35
Branchement des câbles .....	37
Commutateur à relais pour clapet d'appoint d'air (facultatif).....	38
Installation de la commande à distance .....	39
Installation des plateaux à graisse, des panneaux latéraux et des filtres .....	40
Service et liste de vérification de l'installateur .....	41
Liste de vérification à l'intention de l'installateur.....	41
Avant d'appeler le service à la clientèle.....	41
Plaque signalétique .....	41
Soutien, accessoires, et pièces .....	page verso

# Définitions de SÉCURITÉ

---

## ▲ AVERTISSEMENT

Ceci indique que le non respect de cet avertissement peut entraîner des blessures graves, voire la mort.

---



---

## ▲ ATTENTION

Ceci indique que le non respect de cet avertissement peut entraîner des blessures légères ou modérées.

---

**NOTICE :** Ceci indique que la non-conformité à cet avis de sécurité peut entraîner des dégâts à l'appareil ou à la propriété.

**Note :** Ceci vous avertit que d'importantes informations et/ou conseils sont fournis.

*Cet appareil électroménager de THERMADOR™*

est fait par BSH Home Appliances Ltd

6696 Financial Drive, Unit 3

Mississauga, ON L5N 7J6

---

*Des questions?*

1-800-735-4328

www.thermador.ca

*Nous attendons de vos nouvelles!*

## ⚠️ CONSIGNES DE SÉCURITÉ IMPORTANTES LISEZ ET CONSERVEZ CES INSTRUCTIONS

**INSTALLATEUR :** Veuillez laisser ces instructions d'installation au propriétaire de l'appareil. Montrez au propriétaire l'emplacement du tableau de disjoncteurs. Marquez-le pour qu'il soit facile à identifier.

**PROPRIÉTAIRE :** Lisez et conservez ces instructions. Veuillez conserver ces instructions pour consultation ultérieure.

---

### ⚠️ AVERTISSEMENT



Si vous ne suivez pas rigoureusement les renseignements fournis dans le présent guide, des risques d'incendie ou d'explosion sont susceptibles de causer des dommages matériels, des blessures ou la mort.

- N'entreposez pas et n'utilisez pas d'essence ou d'autres produits inflammables sous forme de liquide ou de vapeur à proximité de la table de cuisson ou de tout autre appareil.
- **SI VOUS DÉTECTEZ UNE ODEUR DE GAZ**
  - N'allumez aucun appareil.
  - Ne touchez pas aux interrupteurs électriques.
  - N'utilisez pas les téléphones du bâtiment où vous trouvez.
  - Appelez immédiatement votre société gazière chez un voisin et suivez les instructions qu'elle vous donne.
  - Si vous n'arrivez pas à contacter votre société gazière, appelez le service d'incendie.
- L'installation et les travaux d'entretien doivent être réalisés par un installateur qualifié, un centre de réparation agréé ou une société gazière.

---

### ⚠️ AVERTISSEMENT

Coupez l'alimentation du disjoncteur et verrouillez le panneau avant de procéder au câblage de cet appareil. Exigence : 120 VCA, 60 Hz, 15 A ou 20 A pour certains modèles. Avant de procéder à l'entretien de l'appareil, laissez-lui le temps de refroidir une fois que vous avez coupé l'alimentation électrique.

---

### ⚠️ AVERTISSEMENT

#### Dispositif Automatique

Pour réduire le risque de blessure ébranchez toujours la machine de la source d'alimentation avant tout entretien.

---

### ⚠️ AVERTISSEMENT

#### POUR RÉDUIRE LES RISQUES D'INCENDIE, DE DÉCHARGE ÉLECTRIQUE OU DE BLESSURE, RESPECTEZ LES CONSIGNES SUIVANTES :

- Utilisez cet appareil seulement de la manière prévue par le fabricant. Pour toutes questions, veuillez contacter le fabricant.
- Avant de procéder au nettoyage ou à l'entretien de l'appareil, éteignez l'alimentation du panneau électrique et bloquez le dispositif de déconnexion pour éviter que l'alimentation électrique ne soit accidentellement rallumée. Si le dispositif de sectionnement d'électricité ne peut être bloqué, attachez un avertissement (comme une étiquette) bien en vue sur le tableau électrique. Contactez le fabricant à l'adresse ou au numéro de téléphone indiqué sur la dernière page.

---

### ⚠️ AVERTISSEMENT

Ne réparez et ne remplacez aucune pièce de l'appareil à moins que cela ne soit expressément recommandé dans le présent manuel. L'installation, la réparation ou l'entretien inadéquat de cet appareil peut causer des blessures corporelles ou des dommages matériels. Consultez le présent manuel pour des conseils. Tous les autres travaux d'entretien doivent être effectués par un technicien qualifié.

# ⚠️ CONSIGNES DE SÉCURITÉ IMPORTANTES

## LISEZ ET CONSERVEZ CES INSTRUCTIONS

---

### ⚠️ AVERTISSEMENT

---



#### RISQUE DE DÉCHARGE ÉLECTRIQUE

- N'enlevez pas de connexion.
- N'utilisez pas une rallonge électrique.
- La mise à la terre inadéquate de l'appareil peut entraîner un risque de décharge électrique.
- Le non-respect des présentes instructions peut entraîner la mort, causer un incendie ou provoquer une décharge électrique.

---

#### Instructions de mise à la terre

Cet appareil doit être mis à la terre. La mise à la terre réduit les risques de décharge électrique en fournissant au courant électrique un fil d'échappement lors d'un court-circuit.

Assurez-vous que votre appareil est convenablement installé et mis à la terre par un technicien qualifié. L'installation, le branchement électrique et la mise à la terre doivent être conformes à tous les codes en vigueur.

Si le Code national de l'électricité (ou le code Canadien de l'électricité) l'exige, cet appareil doit être installé sur un circuit de dérivation séparé.

---

### ⚠️ AVERTISSEMENT

---

Pour réduire les risques d'incendie ou de décharge électrique, n'utilisez pas cet appareil avec un tableau de commande à semi-conducteurs.

---

#### Normes et codes de sécurité

Cet appareil est conforme à une ou plusieurs des normes suivantes :

- UL 507 – norme visant la sécurité en matière de ventilateurs électriques
- CAN/CSA-C22.2 No 113 – ventilateurs

Il est de la responsabilité du propriétaire et de l'installateur de déterminer les exigences ou les normes supplémentaires pouvant s'appliquer à des installations particulières.

---

### ⚠️ ATTENTION

---



L'appareil est lourd. Au moins deux personnes ou de l'équipement adéquat sont requis pour le déplacer et l'installer.

Les surfaces cachées de l'appareil peuvent comporter des saillies coupantes. Faites attention lorsque vous manipulez l'appareil pour éviter de vous blesser ou d'endommager votre propriété.

---

#### Disposition de la Proposition 65 de l'État de la Californie :

##### ⚠️ AVERTISSEMENT

Ce produit vous expose à des produits chimiques, comme du chlorure de vinyle, reconnus par l'État de la Californie comme causant le cancer, des malformations congénitales ou d'autres effets nocifs sur la reproduction. Pour de plus amples renseignements, consulter [www.P65Warnings.ca.gov](http://www.P65Warnings.ca.gov).

Ne modifiez jamais la construction de l'appareil. Par exemple, n'enlevez pas de panneaux, couvre-fils ou supports/vis.

---

### ⚠️ ATTENTION

---

Pour ventilation générale seulement. N'utilisez pas cet appareil pour évacuer des vapeurs et des matériaux explosifs ou dangereux. Pour réduire les risques d'incendie, n'utilisez que des conduits métalliques.

Ayez recours à un installateur qualifié.

Retirer tout le ruban et l'emballage avant d'utiliser l'appareil. Jetez l'emballage selon les consignes de tri sélectif. Ne jamais laisser les enfants jouer avec le matériel d'emballage.

# **CONSIGNES DE SÉCURITÉ IMPORTANTES**

## LISEZ ET CONSERVEZ CES INSTRUCTIONS

---

### **AVERTISSEMENT**

---

**POUR RÉDUIRE LES RISQUES D'INCENDIE, DE DÉCHARGE ÉLECTRIQUE OU DE BLESSURE, RESPECTEZ LES CONSIGNES SUIVANTES :**

- Les travaux d'installation et de câblage électrique doivent être faits par une personne qualifiée selon les stipulations de toutes les normes et réglementations en vigueur, dont les normes des constructions ayant une cote de résistance au feu.
- Pour prévenir les contre-explosions, une certaine quantité d'air est nécessaire pour la combustion et l'évacuation des gaz par le carneau (cheminée) de l'appareil de combustion. Respectez les directives du fabricant d'outillage de chauffage et les normes de sécurité, comme celles publiées par la NFPA (Association nationale des services d'incendie), par la Société américaine des ingénieurs en chauffage, réfrigération et climatisation (ASHRAE) et par les autorités locales.
- N'évacuez pas l'air dans les espaces entre les murs, le plafond, le grenier, les vides sanitaires ou le garage.
- Les ventilateurs canalisés doivent toujours évacuer l'air à l'extérieur.
- Les ventilateurs à conduit doivent toujours être ventilés vers l'extérieur.
- **N'UTILISEZ QUE DES CONDUITS MÉTALLIQUES.**
- Lorsque vous coupez ou percez un mur ou un plafond, assurez-vous de ne pas endommager le câblage électrique ou toute autre installation technique dissimulée.

---

### **ATTENTION**

---

Un ventilateur externe doit être installé derrière les déflecteurs ou à un endroit où il est peut probable que de l'eau soit aspiré.

---

# Planification préalable

## Avant de commencer

### ▲ ATTENTION

Avant de procéder à l'installation de l'appareil, éteignez l'alimentation du panneau électrique et bloquez le dispositif de déconnexion pour éviter que l'alimentation électrique ne soit accidentellement rallumée.

### Pièces Fournies

- Raccord métallique avec registre antirefoulement
- Filtres déflecteurs en acier inoxydable
- Plateaux à graisse en acier inoxydable
- Filtre entretoises en acier inoxydable
- Garnitures latérales
- Adaptateur pour ventilateur
- Trousse d'éléments de fixation\*

\* La quincaillerie fournie sert à fixer la hotte à travers une cloison sèche ou du plâtre et des montants de bois d'épaisseur standard. Les installateurs sont responsables de fournir la quincaillerie pour les autres types d'installation.

### Pièces et Outils Requis

- Ventilateur (Veuillez consulter le « Guide de Planification » d'apport d'air supplémentaire pour connaître les systèmes compatibles de soufflerie.)
- Conduit, selon les besoins (voir « Longueur totale équivalente du conduit avec les raccords les plus fréquemment utilisés » à la page 30)
- Ruban d'aluminium (**n'utilisez PAS du ruban à conduit**)
- Tube de 1/2 po (13 mm), s'il y a lieu; respectez les codes locaux
- Serre-câbles de 1 po (25,4 mm)
- Tournevis à tête étoilée et Torx T20
- Monte-démonte écrou ou clé à rochet et douille de 11/32 po (9 mm)
- Matériel de cadrage (selon ce qui est nécessaire pour construire le boîtier)
- Scie circulaire ou sauteuse
- Perceuse avec embout de 3/16 po (4.76 mm)
- Pince à dénuder
- Ruban à mesurer
- Gants de protection

**IMPORTANT** : Ne jetez pas le matériel d'emballage avant d'avoir terminé l'installation de l'appareil.

Il est possible d'acheter d'autres accessoires facultatifs séparément

Pour de plus amples renseignements, veuillez consulter le site [www.thermador.com](http://www.thermador.com).

- REMCPW – Commande à distance
- EXTNCB25W – Câble de raccordement de 25 pi
- WC8 - 8" Capuchon de mur
- WC10 - 10" Capuchon de mur
- RFPLT600P - Plaque de plafond à utiliser avec le moteur séparé de 600 pi<sup>3</sup>/min VTR630
- RFPLT1000P - Plaque de plafond à utiliser avec le moteur séparé de 1000 pi<sup>3</sup>/min VTR1030 et 1300 pi<sup>3</sup>/min moteur VTR1330

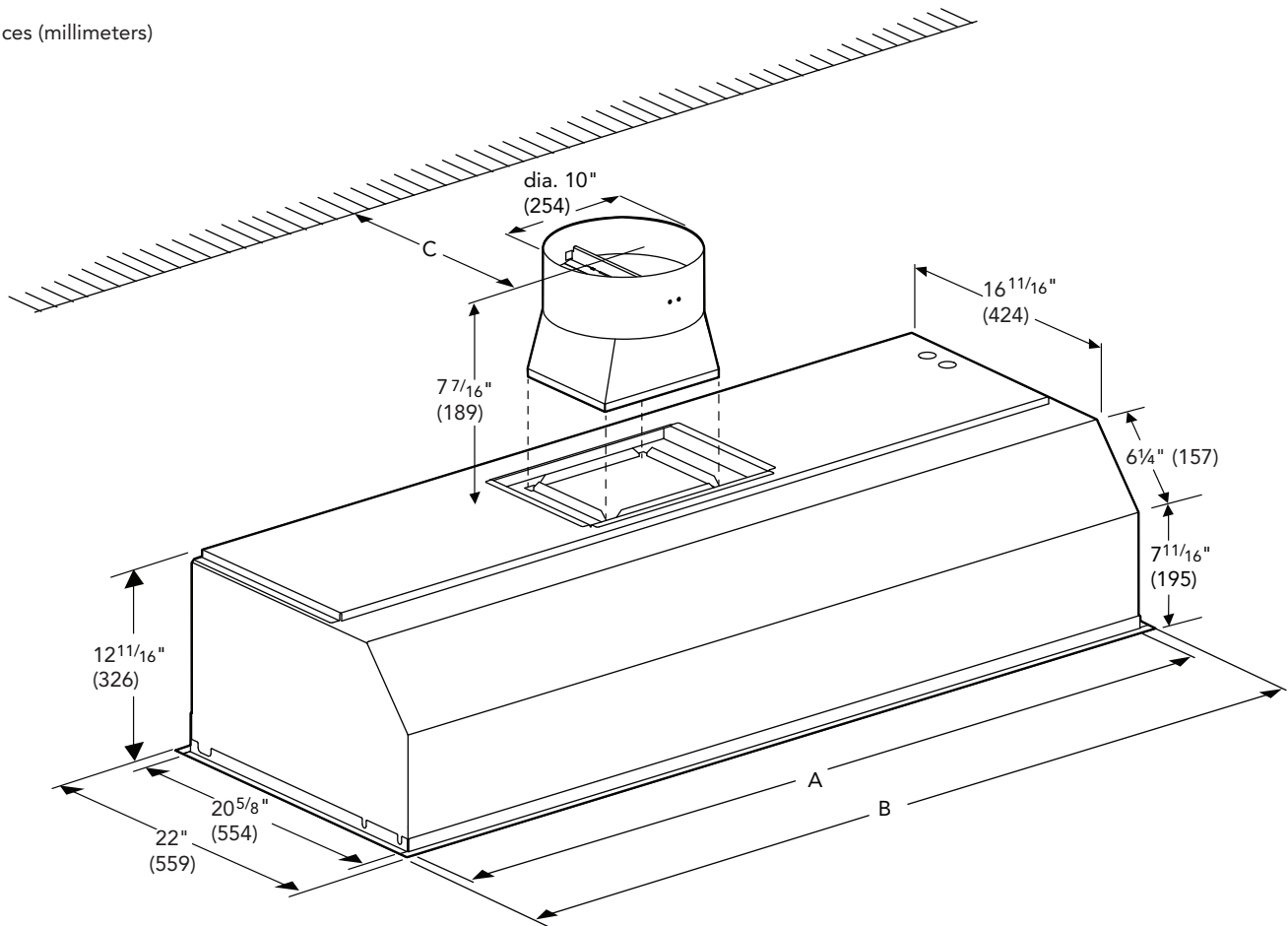


# Renseignements généraux

## Dimensions générales

Cette série de modèles comporte des filtres en acier inoxydable brossé, des lumières de LED, et des garnitures latérales.

pouces (millimeters)



Modèle	Dimension A	Dimension B	Dimension C
VCIN36WP	32-3/8" (822)	33-3/4" (857)	Avec pièces de garniture : 7-3/8" – 10-3/8" (187 – 264)
VCIN42WP	38-1/4" (972)	39-3/4" (1010)	Sans pièces de garniture : 6-5/8" – 9-5/8" (168 – 245)
VCIN48WP	44-3/8" (1127)	45-3/4" (1162)	
VCIN54WP	50" (1270)	51-3/4" (1315)	
VCIN60WP	56-1/2" (1435)	57-3/4" (1467)	

**NOTE :** Le raccord est horizontalement centré. Pour un rendement optimal, la hotte devrait être installée au niveau avec le mur arrière. Pour des installations de ce genre, la moulure arrière n'est pas nécessaire. Vous pouvez utiliser la moulure arrière pour des installations de 1/2 po à 3 po (13 à 76 mm) du mur arrière.

**IMPORTANT :** Pour un rendement optimal, la hotte doit être centrée au-dessus de la surface de cuisson.

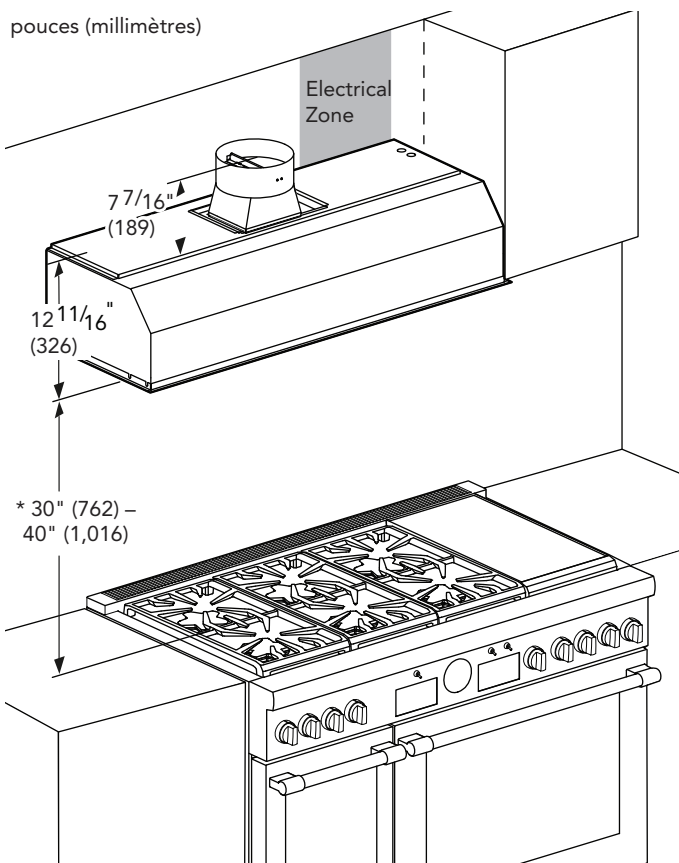
# Instructions d'installation

## Facteurs à prendre en compte pour l'installation

### Dégagements et exigences

La cuve intérieure est conçue pour être installée à l'intérieur d'un assemblage de hotte et conduit sur mesure. L'appareil est conçu pour évacuer l'air à l'extérieur et ne peut être utilisé avec un ensemble de reprise d'air.

La hauteur d'installation de la hotte au-dessus d'une surface de cuisson ou d'une cuisinière peut varier. Pour respecter la hauteur d'installation nécessaire au-dessus d'une surface de cuisson ou d'une cuisinière, consultez le manuel d'installation de l'appareil.



\*Suivez les recommandations du fabricant de l'appareil de cuisson.

**AVIS:** La hotte pourrait être endommagée par de la chaleur si plusieurs brûleurs d'une surface de cuisson ou d'une cuisinière Professional® de Thermador sont utilisés simultanément à haute intensité sous la hotte et que celle-ci est installée à une distance inférieure aux espaces libres minimaux.

### Largeur de la hotte

La largeur de la hotte ne doit pas être inférieure à la largeur de la surface de cuisson. Pour un rendement adéquat, la hotte doit couvrir la totalité de la surface de cuisson.

Pour un rendement optimal, la hotte doit être centrée au-dessus de la surface de cuisson. Lorsqu'il n'y a pas de contrainte d'espace, une hotte plus large peut être utilisée pour augmenter la surface d'aspiration.

### Distance entre la hotte et la surface de cuisson

La hauteur minimale d'installation est de 30 po (762 mm) au-dessus de la surface de cuisson à une hauteur maximale suggérée de 40 po (1016 mm). Toutefois, il est impératif de respecter les instructions d'installation du fabricant de l'appareil de cuisson en ce qui concerne la hauteur adéquate d'installation de la hotte.

### Poids de l'appareil

Cette hotte d'évacuation d'air est lourde. Peu importe le type d'installation, il faut avoir une structure et des nervures de renforcement adéquats. Lors du calcul de la charge du système de soutien du boîtier, assurez-vous de tenir compte du poids de l'appareil de ventilation.

Modèle	Poids
VCIN36WS	53 lb (24 kg)
VCIN42WS	63 lb (29 kg)
VCIN48WS	69 lb (31 kg)
VCIN54WS	79 lb (36 kg)
VCIN60WS	85 lb (39 kg)
Modèle de ventilateur intégré VTN1090R	23 lb (11 kg)
Modèle de ventilateur intégré VTN630W	11 lb (5 kg)

#### AVIS :

Les poids mentionnés ne s'appliquent qu'à l'appareil de ventilation et au ventilateur. L'installateur doit tenir compte du poids du matériel de construction lors du calcul du poids total de l'installation, y compris, sans s'y limiter, les éléments suivants : mur, tuiles, mortier, plâtre, briques, finition, cloisons et autres éléments architecturaux et structuraux. Il est de la responsabilité du propriétaire et de l'installateur de déterminer les exigences ou les normes supplémentaires pouvant s'appliquer à des installations particulières.

## Ventilateurs

Des ventilateurs internes, en ligne et télécommandés sont disponibles par l'entremise de votre détaillant Thermador® autorisé. Pour les coordonnées d'un détaillant local, visitez la section sur la localisation des détaillants sur notre site web à [www.thermador.com](http://www.thermador.com).

Les dimensions du ventilateur varient et sont fonction de la surface de cuisson, du volume d'air à évacuer et de la longueur du conduit. Voyez « Installation du ventilateur » à la page 35 pour des renseignements détaillés sur le ventilateur.

## Charpente du mur

Compte tenu du poids de la hotte, assurez-vous que la hotte est bien fixé à tous les montants disponibles du mur.

La charpente du mur et les solives de plafond doivent être suffisamment solides pour soutenir le poids de la hotte et du ventilateur interne, s'il y a lieu.

Minimalement, la charpente du mur doit être faite de 2x4. Un soutien structural adéquat est requis pour supporter le poids de la hotte.

## Exigences électriques

Cet appareil doit être branché à un circuit de dérivation de 120 VCA, 60 Hz, 15 A. La soufflante VTR1330 en conjonction avec un PHxxGWS nécessite un disjoncteur de 20 ampères. La hotte doit être branchée à une prise de courant mise à la terre et installée en conformité avec les réglementations en vigueur.

Lorsqu'elles sont protégées par un disjoncteur de fuite à la terre, les hottes Professional de Thermador peuvent être utilisées dans des endroits humides à l'abri des conditions météorologiques extérieures et de saturations par de l'eau et d'autres liquides, quoiqu'elles puissent être soumises à un certain degré d'humidité (par exemple, lors d'une installation sur une terrasse couverte ou une véranda). Consultez les codes locaux, le Code national de l'électricité/Code Canadien de l'électricité, et l'autorité compétente pour obtenir de plus amples renseignements.

Consultez le code de la construction de votre localité pour connaître la méthode d'installation adéquate. Aux É.-U., si aucun code local n'est en vigueur, cet appareil doit être installé conformément à la plus récente édition de la norme no 70 du Code national de l'électricité/NFPA (Association nationale des services d'incendie). Au Canada, l'installation doit respecter les normes d'installation CSA C22.1-02 pour les appareils au gaz ou les codes locaux en vigueur.

**NOTE :** Vous pouvez vous procurer un câble de connexion pour ventilateur à distance (EXTNCB25W) de 25 pieds si vous souhaitez brancher la hotte au ventilateur à plus de 25 pieds de distance (acheté séparément). N'utilisez PAS plus d'un câble de connexion par installation.

---

### ⚠ AVERTISSEMENT

---

Cet appareil doit être mis à la terre.

---

## Données électriques apparaissant sur la plaque signalétique

Les données électriques relatives à l'appareil, y compris le numéro de modèle et le numéro de série, se trouvent sur la plaque signalétique située à l'intérieur de l'appareil, visible lors du retrait du cadre des filtres.

# Préparation du conduit d'aération

## Orientation de la sortie d'air

L'air est évacué vers le haut, par le biais d'un conduit, ou directement à l'extérieur à travers le mur arrière.

## Recommandations pour le conduit

Un rendement adéquat dépend d'un conduit d'aération adéquat. Le code du bâtiment local peut exiger l'utilisation d'un système d'air d'appoint lors de l'utilisation d'un système de ventilation avec des conduits dont le nombre de  $\text{pi}^3/\text{min}$  d'air est supérieur à ce qui est indiqué. Il est de la responsabilité du propriétaire et de l'installateur de déterminer les exigences ou les normes supplémentaires pouvant s'appliquer à des installations particulières.

**N'UTILISEZ PAS DE CONDUITS SOUPLES.** Ces conduits créent de la pression d'aspiration et de la turbulence en plus d'offrir un rendement moins efficace. Posez toujours un couvercle métallique à la sortie du conduit de la maison.

**TEMPÉRATURES FROIDES :** Pour une installation où les conditions météorologiques sont froides, un registre antirefoulement supplémentaire doit être installé pour minimiser l'entrée d'air froid de l'extérieur, avec un isolant thermique non métallique pour minimiser la conduction de la température extérieure dans le conduit. Le registre doit se trouver du côté de l'air froid de l'isolant thermique. L'isolant doit être installé le plus près possible de l'endroit où le conduit entre dans la partie chauffée de la maison.

**AIR D'APPOINT :** Le code du bâtiment local peut exiger l'utilisation d'un système d'air d'appoint lors de l'utilisation d'un système de ventilation dont le nombre de  $\text{pi}^3/\text{min}$  d'air est supérieur à ce qui est indiqué. Le nombre de  $\text{pi}^3/\text{min}$  indiqué varie d'un code à l'autre. Il est de la responsabilité du propriétaire et de l'installateur de déterminer les exigences ou les normes supplémentaires pouvant s'appliquer à des installations particulières.

Le conduit doit directement évacuer l'air à l'extérieur (et non dans le grenier, sous la maison, dans le garage ou dans un espace clos).

L'appareil ne peut être utilisé avec un ensemble de reprise d'air.

Thermador recommande de ne pas installer un conduit de plus de 50 pi (15,24 m).

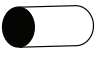
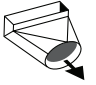
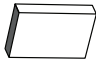
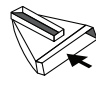

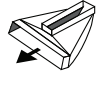

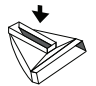
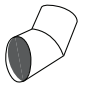
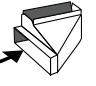
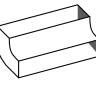
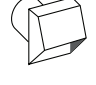
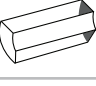


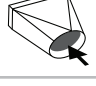
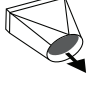
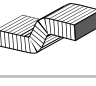
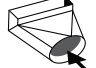
Installez le conduit le plus court et le plus droit possible. Les coudes et les raccords réduisent l'efficacité de la circulation de l'air. L'utilisation de deux coudes formant un S donne de piètres résultats et elle n'est pas recommandée.

L'utilisation d'un conduit court et droit à l'endroit où se trouve un ventilateur à distance donne de meilleurs résultats.

Les hottes sont vendues avec un raccord circulaire de 10 po (254 mm). Vous devez vous procurer les raccords d'autres dimensions chez un détaillant.

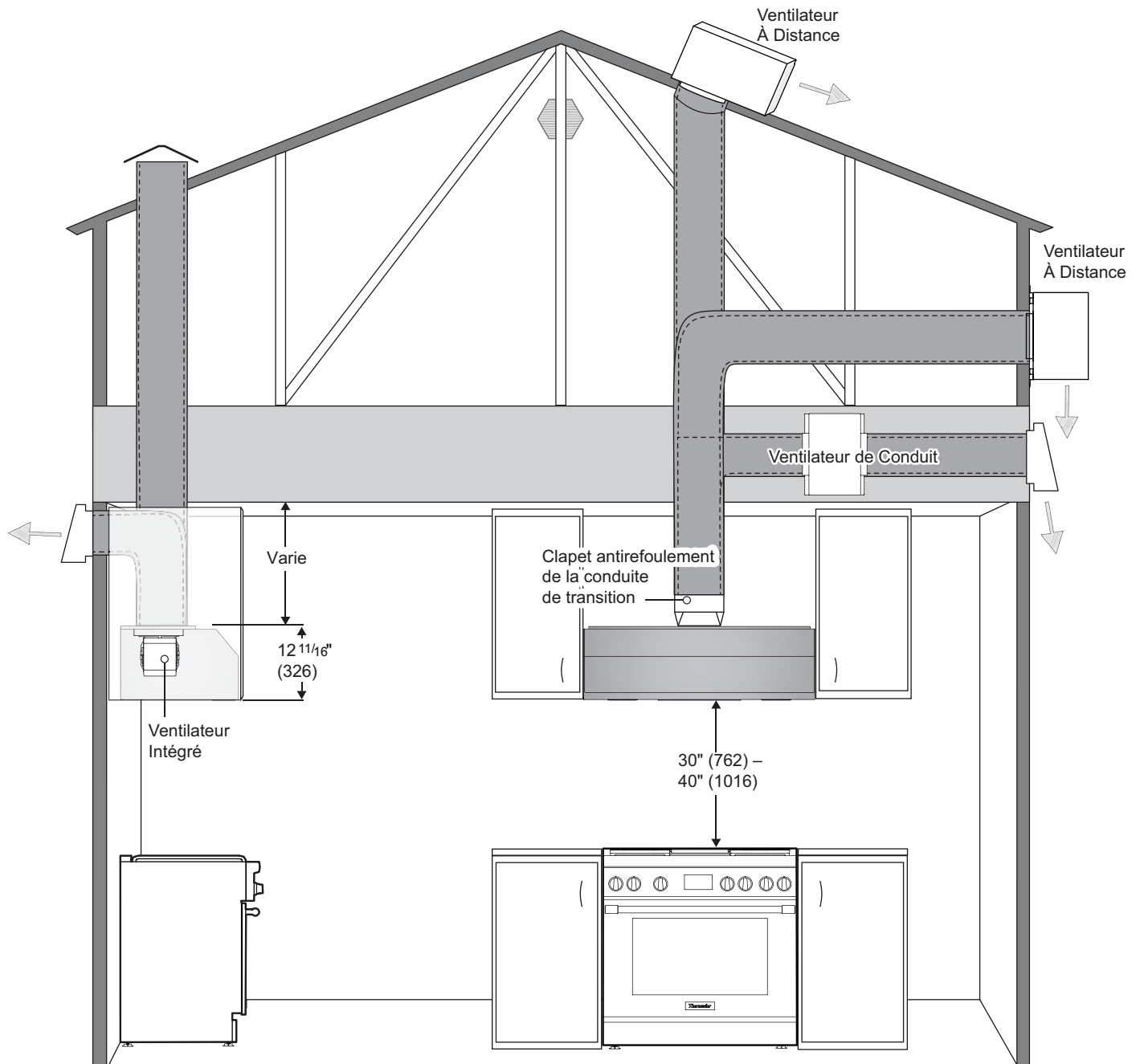
Utilisez le tableau « Longueur totale équivalente du conduit avec les raccords les plus fréquemment utilisés » pour calculer la longueur totale admissible du conduit.

## Longueur totale équivalente du conduit avec les raccords les plus fréquemment utilisés

Type de conduit	Diamètre de la pièce (po)	Longueur équivalente (pi)	Type de conduit	Diamètre de la pièce (po)	Longueur équivalente (pi)
 Circulaire droit	6	1.2	 3/4 po x 10 po à coude circulaire à 90°	6	10
	8	0.7			
	10	0.6			
 3/4 po x 10 po droit	S/O	1	 Coude inversé gauche à centre de 3/4 po x 10 po	S/O	15
 3/4 po x 14 po droit	S/O	0.7	 Coude inversé droit à centre de 3/4 po x 10 po	S/O	25
 Coude circulaire à 90°	6	12	 Coude inversé à gauche de 3/4 po x 10 po	S/O	15
	8	6			
	10	5			
 Coude circulaire à 45°	6	5	 Coude inversé à droite de 3/4 po x 10 po	S/O	25
	8	3			
	10	2			
 Coude de 3/4 po x 10 po à 90°	S/O	5	 Bouche d'aération circulaire murale	6	2
 Coude de 3/4 po x 10 po à 45°	S/O	15		8	2
				10	2
 Coude plat de 3/4 po x 10 po	S/O	20	 Bouche d'aération circulaire de toit	6	2
 Circulaire à 3/4 po x 10 po	6	1		8	2
				10	2
 3/4 po x 10 po à circulaire	6	5	 Conduit souple de 3/4 po x 10 po de 2 pieds de long	S/O	20
 Circulaire à coude de 3/4 po x 10 po à 90°	6	10			

**NOTE :** Ces pièces fréquemment utilisées sont en vente à votre quincaillerie. Thermador ne fabrique pas toutes ces pièces.

# Configurations de conduits courants



**REMARQUE** : L'image ne présente pas toutes les dispositions ou méthodes d'installation. Elle est à titre indicatif SEULEMENT.

## Choix d'un ventilateur adéquat

N'utilisez que des ventilateurs Thermador avec les hottes Thermador. Consultez le « Guide de Planification de Ventilation » pour connaître les ventilateurs recommandés. Communiquez avec le service à la clientèle pour connaître les autres options qui s'offrent à vous.

**IMPORTANT :** La garantie s'annule si un connecteur, le câble du ventilateur ou le câble de rallonge est coupé.

Le choix d'un ventilateur dépend du volume d'air qui doit être évacué ainsi que de la longueur et de l'emplacement du conduit. Pour les longs conduits qui comportent de nombreux coudes et changements de direction, envisagez d'utiliser un ventilateur plus puissant. Pour une évacuation d'air optimale, utilisez un conduit droit avec le moins de coudes possible (consultez la section « Préparation du conduit d'aération »).

## Ventilateurs intégrés

Ces ventilateurs sont intégrés à la hotte au moment de l'installation.

## Ventilateurs à distance

Selon la préférence et l'emplacement du conduit, ces ventilateurs peuvent être installés sur le toit ou un mur extérieur de votre maison. L'avantage d'une installation à l'extérieur est une réduction du bruit dans la cuisine.

## Ventilateurs de conduit

Pour minimiser le bruit dans la cuisine, ces ventilateurs s'installent dans le conduit, quelque part entre la cuisine et le mur extérieur. Si le conduit est facile d'accès (qu'il passe dans le grenier, par exemple), cette option peut être attrayante.

## 25 pi Câble de connexion du ventilateur (optionnel)

Vous pouvez vous procurer un câble de connexion pour ventilateur à distance (EXTNCB25W) de 25 pieds si vous souhaitez brancher la hotte au ventilateur à plus de 25 pieds de distance (acheté séparément). N'utilisez PAS plus d'un câble de connexion par installation.

## Assemblage du raccord

### Orientation de la sortie d'air

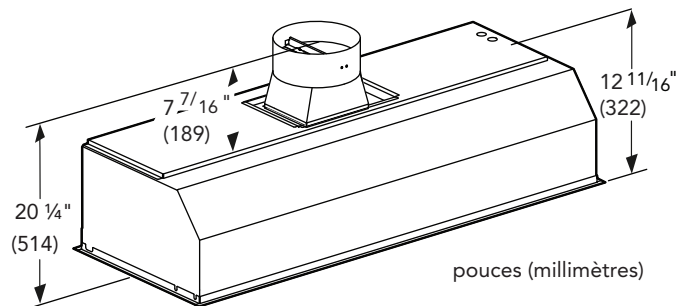
L'air est évacué vers le haut, par le biais d'un conduit, ou directement à l'extérieur à travers le mur arrière.

La hotte peut être fixée au mur avec une sortie d'air verticale.

### Assemblage du raccord

Les hottes sont livrées avec une conduite de transition ronde de 10 po (254 mm) de diamètre. Pour d'autres diamètres, une conduite de transition fournie dans la région est requise.

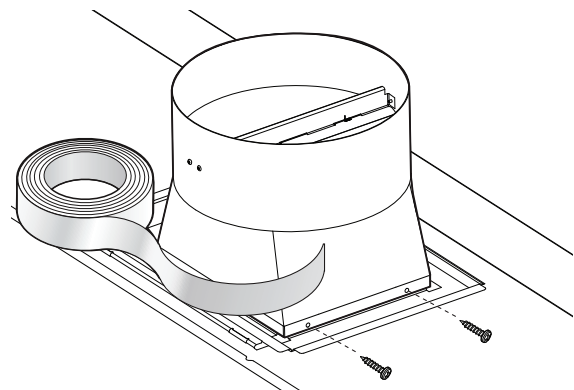
1. Une hauteur libre minimale de 7-7/16 po (188 mm) est requise au-dessus de la hotte pour l'installation du raccord.



2. Alignez les trous de montage de la base du raccord avec les trous de montage de la bride de 1/2 po (13 mm) située sur le dessus ou à l'arrière de la hotte.
3. Fixez le raccord à la hotte à l'aide des quatre vis à tôle de 1/4 po (6 mm) fournies avec la hotte.

**Remarque :** Les vis ne doivent pas nuire au fonctionnement du clapet.

4. Scellez le joint entre le raccord et la hotte avec du ruban en aluminium. N'utilisez PAS de ruban à conduit. Assurez-vous que la connexion est complètement scellée.





5. Enlevez le morceau de ruban qui tient le registre en position fermée.

## Préparation de l'ouverture du plafond et du boîtier

Cet appareil doit être monté dans un boîtier. Consultez la section « Facteurs à prendre en compte pour l'installation » à la page 27 pour obtenir des suggestions sur la façon de déterminer la hauteur de la hotte.

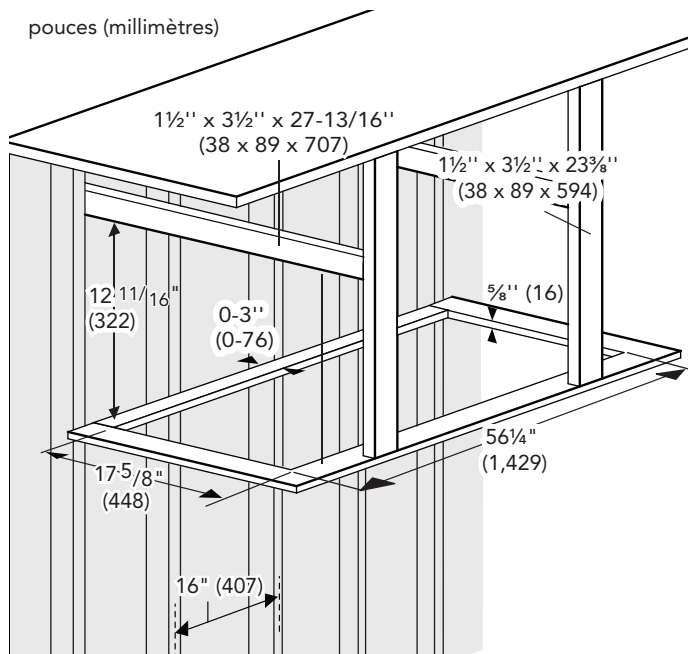
Lors du calcul de la charge du système de soutien du boîtier, assurez-vous de tenir compte du poids de l'appareil de ventilation. Consultez le « Poids de l'appareil » à la page 27 pour connaître le poids de chaque modèle.

Construisez le boîtier conformément aux dimensions indiquées dans les « Dimensions des ouvertures pour le raccord ».

Pour un rendement optimal, la hotte devrait être installée au niveau avec le mur arrière. Pour des installations de ce genre, la moulure arrière n'est pas nécessaire.

Pour les installations de 1/2 - 3 po (13 - 76 mm) à partir de la paroi arrière, la pièce de garniture arrière peut être utilisée.

## Dimensions des ouvertures pour le raccord



## Installation encastrée sur mesure avec garnitures

### ⚠ ATTENTION



Il faut au moins deux personnes pour la soulever en toute sécurité.

Les surfaces cachées de l'appareil peuvent comporter des saillies coupantes. Faites attention lorsque vous manipulez l'appareil pour éviter de vous blesser ou d'endommager votre propriété.

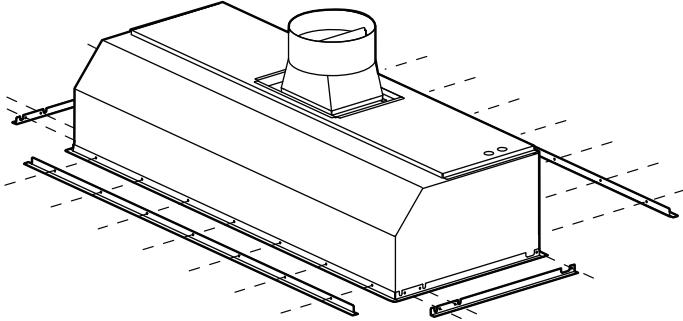
### ⚠ ATTENTION

Avant de procéder à l'installation de l'appareil, éteignez l'alimentation du panneau électrique et bloquez le dispositif de déconnexion pour éviter que l'alimentation électrique ne soit accidentellement rallumée.

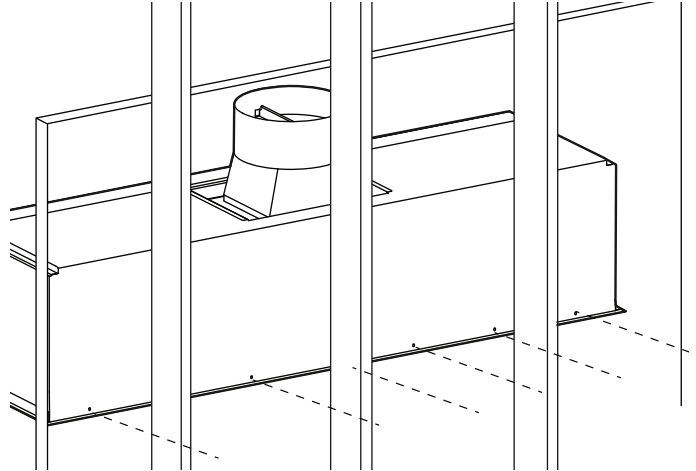
1. Éteignez l'alimentation du panneau électrique. Bloquez le dispositif de déconnexion pour éviter que l'alimentation électrique ne soit accidentellement rallumée.
2. Préparation du conduit.
  - a) Rapportez-vous à la section « Exigences électriques » à la page 28.
  - b) Installez un raccord métallique avec un registre antirefoulement de façon à ce que le clapet s'ouvre vers le haut. S'il le faut, installez un isolant thermique et un registre antirefoulement supplémentaire (rapportez-vous à la section "Choix d'un ventilateur adéquat").
3. Construction du boîtier.
  - a) Rapportez-vous à la section « Renseignements généraux » à la page 26 pour connaître les dimensions des différents modèles.
  - b) Rapportez-vous à la section « Instructions d'installation » à la page 27 pour connaître les espaces libres requis.
  - c) Construisez le boîtier du modèle à installer selon les dimensions fournies à partir de la page 33.

#### 4. Installation des garnitures latérales.

- a) Placez les garnitures latérales à ras le bas du boîtier. Fixez-les en place à l'aide de (20) vis de 3/8 po (9,5 mm).
- b) Pour les installations de 1/2 - 3 po (13 - 76 mm) à partir de la paroi arrière, la pièce de garniture arrière peut être utilisée.

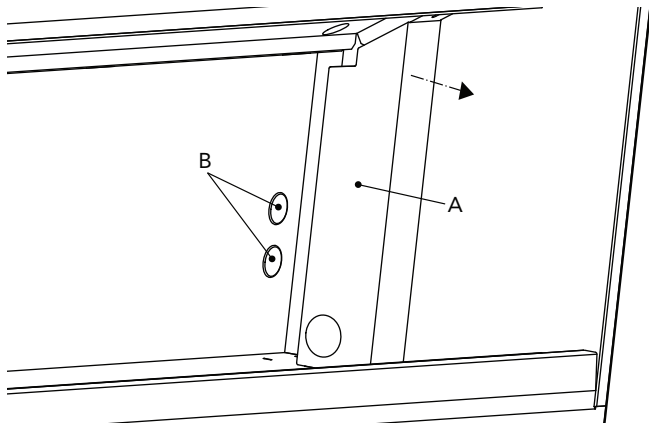


- b) Fixez l'arrière du boîtier à l'aide de six vis de montage 1 po (25,4 mm).

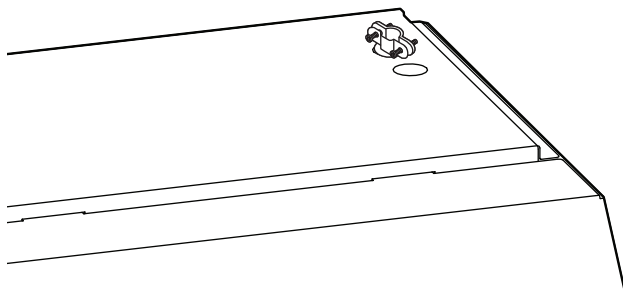


#### 5. Préparation pour l'acheminement du câble

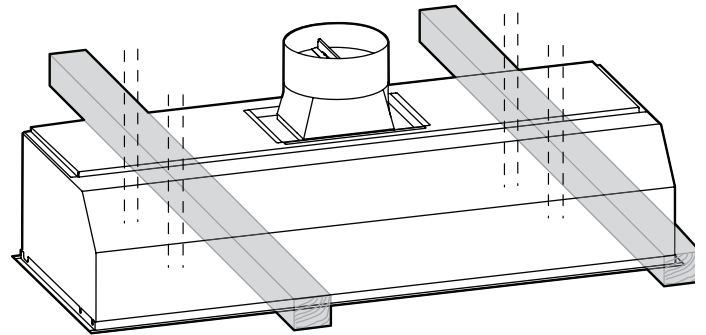
- a) Enlevez le couvercle de la boîte de connexion qui recouvre les fils.
- b) Enlevez les entrées défonçables circulaires.



- c) Installez un serre-câble (non inclus) dans l'une des entrées défonçables circulaires.



- c) Fixez les côtés du boîtier à l'aide de quatre vis de montage 1 po (25,4 mm).



#### 6. Installation de l'appareil.

- a) Installez la cuve intérieure dans la hotte sur mesure.

#### 7. Raccordement au conduit.

#### 8. Installation du ventilateur.

- a) Rapportez-vous à la section "Choix d'un ventilateur adéquat".
- b) Rapportez-vous à la section « Installation du ventilateur » à la page 35.

#### 9. Branchement électrique.

- a) Branchez les fils selon le modèle de la hotte (consultez les instructions d'installation du ventilateur commençant à la page 35).

#### 10. Installation des filtres, des panneaux latéraux et des plateaux à graisse

- a) Rapportez-vous à la section « Installation des plateaux à graisse et des filtres » à la page 40.

#### 11. Vérification de l'installation

- a) Assurez-vous du bon fonctionnement du ventilateur et des lampes.
- b) Assurez-vous qu'il n'y a pas de refoulements. Ajustez le ventilateur à la puissance maximale, fermez les fenêtres et les portes et assurez-vous que le ventilateur ne refoule pas d'air dans la bouche d'air d'un autre appareil.

# Installation du ventilateur

Caractéristiques assignées du ventilateur et du disjoncteur :

Ventilateur	Modèle	Tension (CA)	Courant	Disjoncteur
À Distance	VTR630	120	4,2	15
À Distance	VTR1030	120	5,7	15
À Distance	VTR1330	120	8,5	15 / 20
De Conduit	VTI610	120	4,2	15
De Conduit	VTI1010	120	5,7	15
Intégré	VTN630	120	4,2	15
Intégré	VTN1090	120	5,4	15

## ⚠ ATTENTION

Pour réduire les risques d'incendie ou de décharge électrique, installez cette hotte uniquement avec les ventilateurs mentionnés dans le *Guide de Planification de Ventilation*.

**NOTE :** La garantie ou la possibilité de retour ou d'échange du produit s'annule si la prise du ventilateur est coupée.

Tous les modèles de ventilateur sont vendus séparément. N'utilisez que des ventilateurs Thermador avec ces hottes. Veuillez consulter le guide de planification d'apport d'air supplémentaire pour connaître les systèmes compatibles de soufflerie. Communiquez avec le service à la clientèle pour d'autres options.

Tous les modèles de hotte sont prévus pour une tension d'alimentation de 120 V installée avec une soufflante répertoriée dans le tableau ci-dessus, en utilisant un disjoncteur spécialisé de 15 ampères. La soufflante VTR1330 en conjonction avec un PHxxGWS nécessite un disjoncteur de 20 ampères.

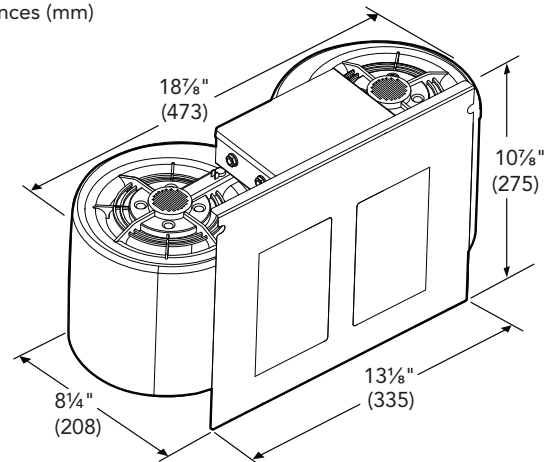
Le choix du ventilateur dépend du volume d'air qui doit être évacué ainsi que de la longueur et de l'emplacement du conduit. Pour les longs conduits qui comportent de nombreux coudes et changements de direction, envisagez d'utiliser un ventilateur plus puissant. Pour une évacuation d'air optimale, utilisez un conduit droit avec le moins de coudes possible (consultez la section « Préparation du conduit d'aération »).

# Installation d'un ventilateur intégré seulement

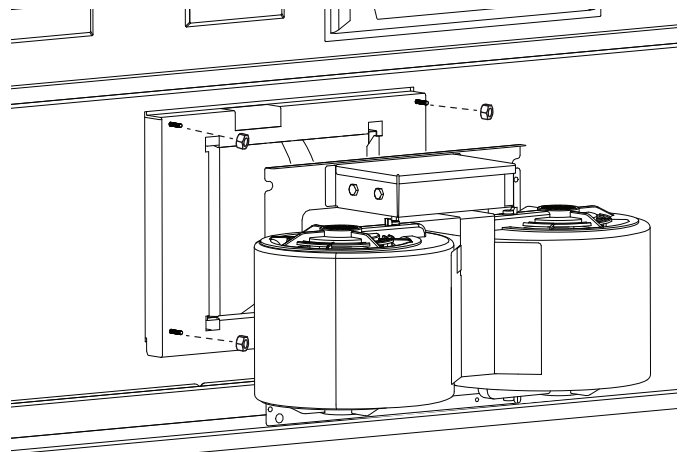
Le modèle de ventilateur intégré doit être installé une fois que la hotte est fixée au mur.

Pour accéder aux instructions de montage complètes, consultez les directives fournies avec le module du souffleur.

pouces (mm)

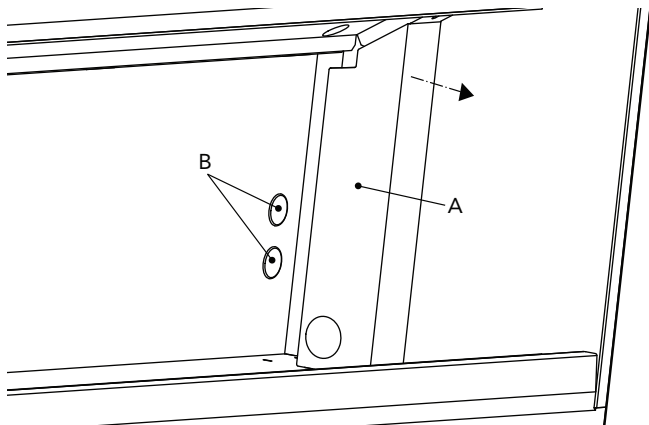


1. Le ventilateur est fixé à la hotte à l'aide des deux tiges soudées à la plaque de montage. La figure montre l'emplacement de ces tiges. Alignez la plaque de montage du ventilateur avec les tiges.
2. Fixez quatre (4) écrous (compris avec la hotte) aux tiges soudées. Serrez les écrous avec un tourne-écrou de 11/32 " pour fixer le ventilateur à la hotte.



### 3. Préparation pour l'acheminement du câble

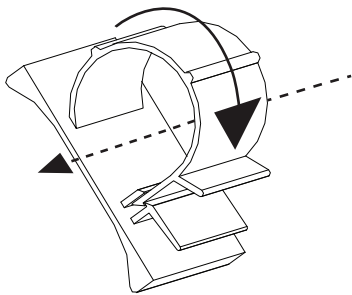
- Enlevez le couvercle de la boîte de connexion qui recouvre les fils (A).
- Enlevez les entrées défonçables circulaires (B).



- ### 4. Branchez le connecteur en tire-bouchon au connecteur situé à l'intérieur de la boîte de connexion.



- ### 5. Acheminez le faisceau du souffle au travers de la clip autoverrouillante.



## Câblage de la hotte avec un ventilateur à distance ou un ventilateur de conduit

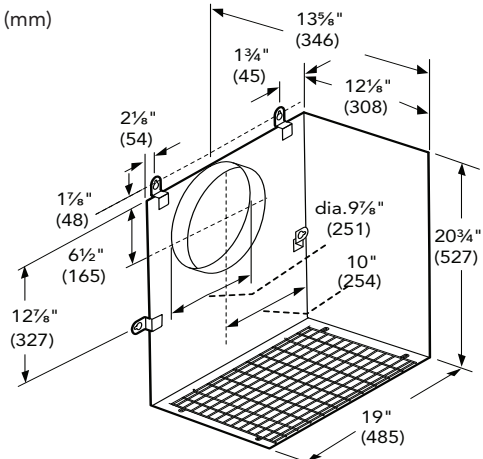
Pour accéder aux instructions de montage complètes, consultez les directives fournies avec le module du souffleur.

### Ventilateur à distance

Selon la préférence et l'emplacement du conduit, ces ventilateurs peuvent être montés sur le toit ou un mur

extérieur de la maison. Il peut être plus attrayant de l'installer à l'extérieur pour réduire le bruit dans la cuisine

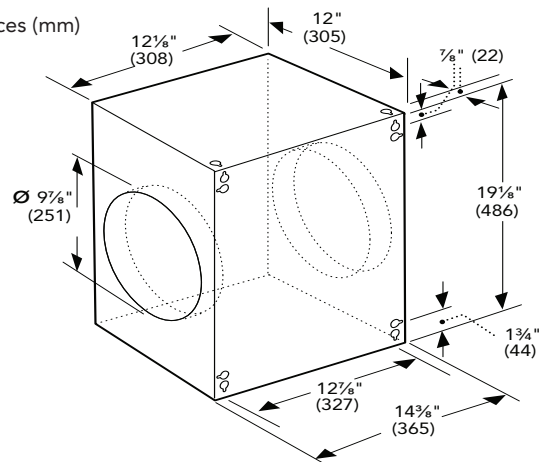
pouces (mm)



### Ventilateur De Conduit

Pour minimiser le bruit dans la cuisine, ces ventilateurs sont montés le long de la ligne de conduit, n'importe où entre la cuisine et l'extérieur. Si la ligne de conduit est facile d'accès (dans le grenier, par exemple), cette option peut s'avérer attrayante.

pouces (mm)



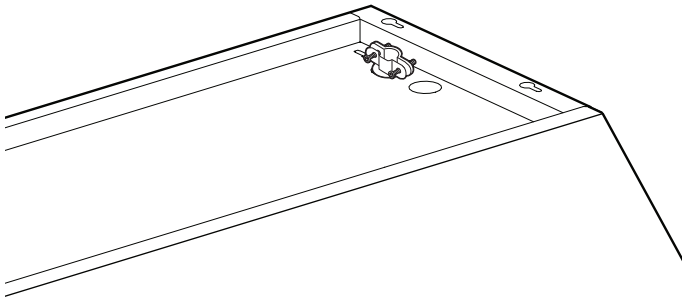
### Raccordement du souffleur

1. Enlevez le couvercle de la boîte de connexion qui recouvre les fils.
2. Enlevez les entrées défonçables circulaires.
3. Acheminez la fiche du connecteur du moteur du souffleur vers la hotte. Raccordez le faisceau du souffleur à celui de la hotte.

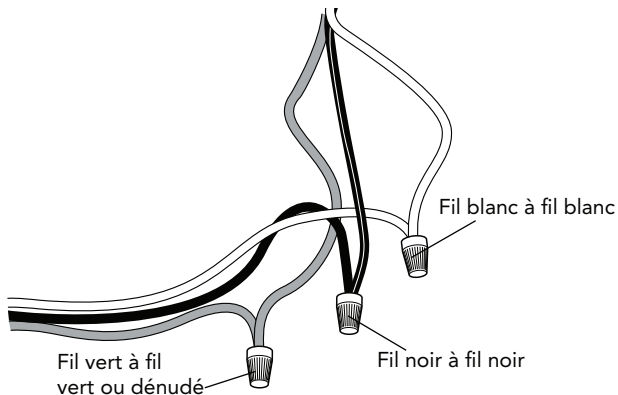
# Branchement des câbles

## Acheminement des câbles

1. Faites passer un câble d'alimentation de 120 VCA, 60Hz, 15A ou 20A pour une soufflante PHxxGWS et VTR1330 du panneau de service à travers l'un des trous de la plaque supérieure.



2. Branchez le fil noir au fil d'alimentation noir, le fil blanc au fil d'alimentation blanc et le fil vert au fil vert ou dénudé.



3. Placez toutes les câbles branchés dans le passe-câbles de la boîte de connexion. Réinstallez la plaque de protection. Assurez-vous que les câbles sont solidement fixés ensemble et qu'ils ne sont pas coincés.

## Câble de connexion du ventilateur EXTNCB25W (optionnel)

### Pièces Fournies

- 1 – câble de 25 pi
- 2 – câbles adaptateurs (non requis pour tous les modèles)

### Connexion du câble de rallonge du ventilateur

Le faisceau du ventilateur interne doit passer à travers l'entrée défonçable et être fixé à l'aide d'un serre-câbles de 1 po (25,4 mm). Le faisceau éloigné peut ensuite être branché au faisceau du ventilateur, à l'extérieur de l'appareil.

**NOTE :** La garantie de l'appareil s'annule si le connecteur est coupé.

**Le câble de rallonge du ventilateur est compatible avec les ventilateurs de conduit et à distance suivants :**

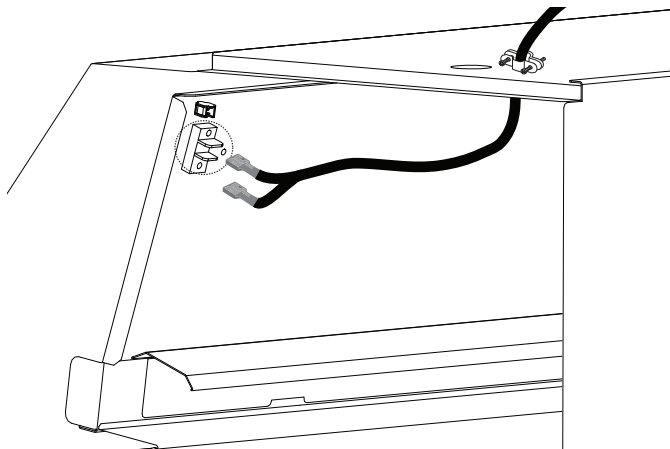
Ventilateur	Modèle
Ventilateur à distance	VTR630
Ventilateur à distance	VTR1030
Ventilateur à distance	VTR1330
Ventilateur de conduit	VTI610
Ventilateur de conduit	VTI1010

# Commutateur à relais pour clapet d'appoint d'air (facultatif)

Il se peut que les codes locaux demandent l'utilisation d'un clapet antirefoulement et/ou pour air d'appoint supplémentaire. Communiquez avec un professionnel en système de chauffage, de ventilation et de climatisation (CVC) de votre région pour connaître les exigences.

La hotte dispose d'un commutateur à relais pour raccorder un clapet d'appoint d'air (max. 120 V). Les installations varient en fonction de l'emplacement de la maison où sera installé l'appareil et le clapet utilisé. Utilisez l'image ci-dessous comme guide au moment de l'installation. Respectez toujours les exigences des codes locaux.

1. Accédez au câblage de la hotte.
2. Acheminez le faisceau du clapet d'appoint d'air par le protecteur de fil vers la plaque à bornes.
  - Les raccordements électrique et de retour de la trousse d'appoint d'air s'enfichent dans n'importe quelle borne. Il n'y a aucune exigence en matière de polarité sur la plaque à bornes à deux broches.



3. Fixez solidement le fil de mise à la terre avec la vis verte de mise à la terre T-20.

# Installation de la commande à distance (optionnel)

Il est recommandé de procéder au câblage de la commande à distance une fois que la hotte a été installée.

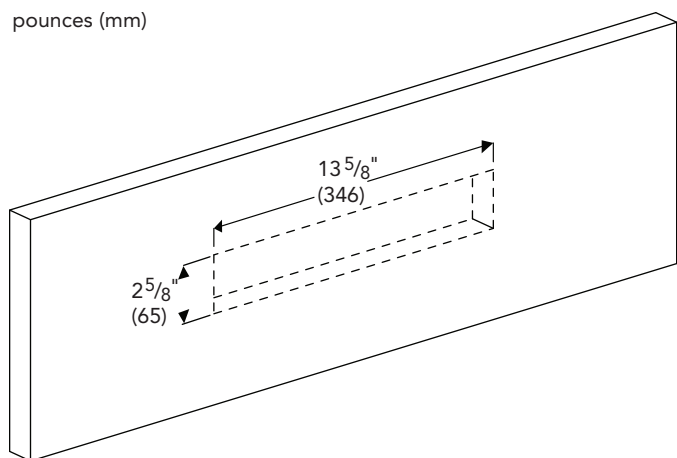
## REMCPW Pièces Comprises

- 1 – Commande à Distances
- 1 – Faisceau d'extension de 30 pi

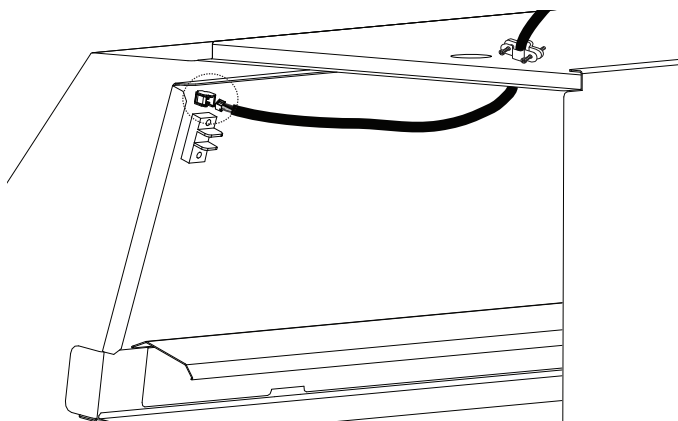
**IMPORTANT :** La découpe d'un connecteur à l'appareil ou à la trousse de la rallonge annulera la garantie.

1. Préparation du mur pour installation, comme illustré (vue face au mur).

pouces (mm)

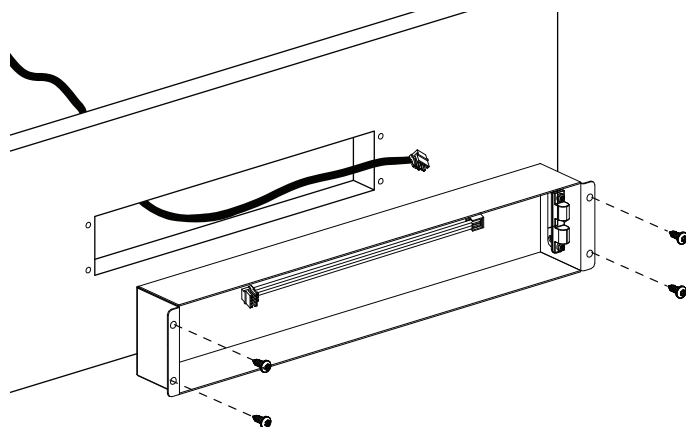


2. Accédez au câblage de la hotte. Acheminez le faisceau d'extension de 30 pi (914 cm) vers la bride de fixation carrée en passant à travers le protecteur de cordon jusqu'à ce qu'il s'enclenche.

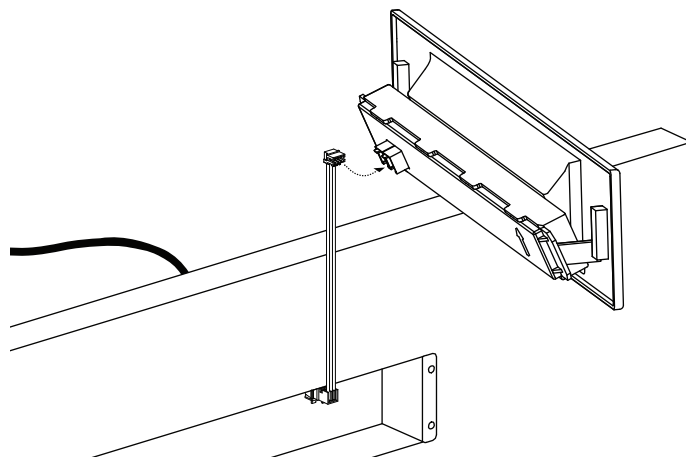


3. Faites passer le faisceau d'extension de 30 pi (914 cm) par la découpe et fixez-le au dos du support de la télécommande.

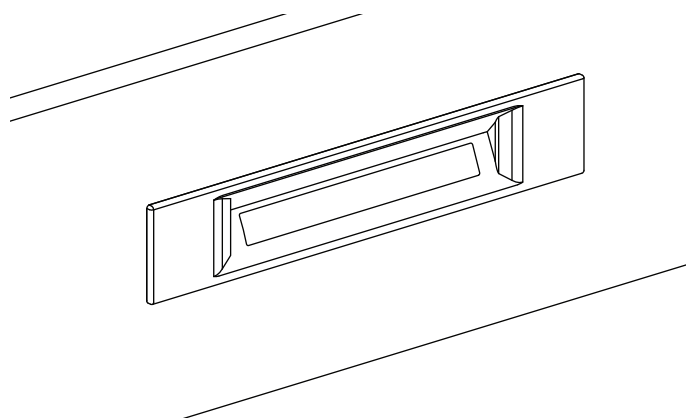
4. Fixez le support à l'intérieur de la découpe en appuyant dessus. Percez un trou taraudé de 1/4 po (6 mm) dans les trous du support pour atteindre le mur. Fixez le support au mur avec les quatre (4) vis fournies.



5. Raccordez le connecteur du faisceau de fil à l'intérieur du support à la borne au dos de la télécommande. Utilisez une borne ou l'autre.

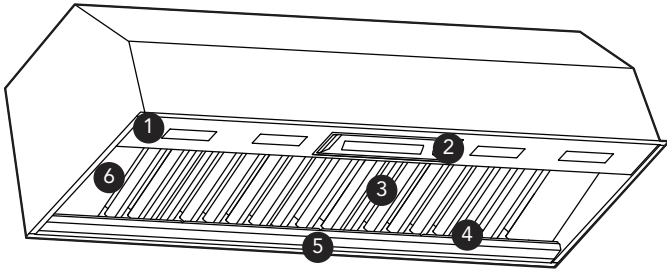


6. Enclenchez la télécommande dans le support.





# Installation des plateaux à graisse et des filtres

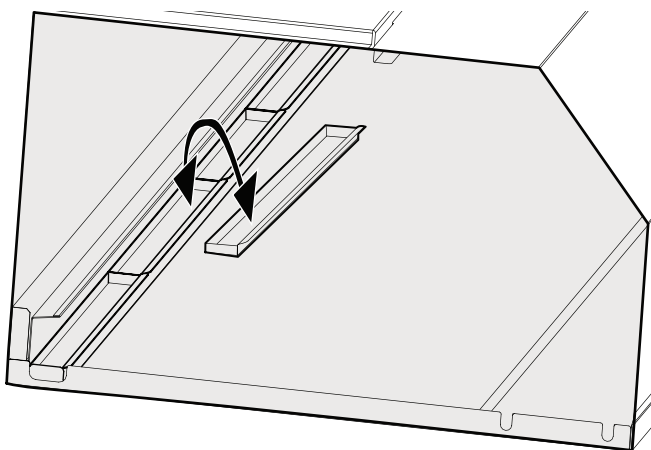


- (1) DEL s'allume
- (2) Bandeau de commande tactile
- (3) Filtres
- (4) Plateau à graisse
- (5) Rainure des plateaux à graisse
- (6) Filtre entretoise

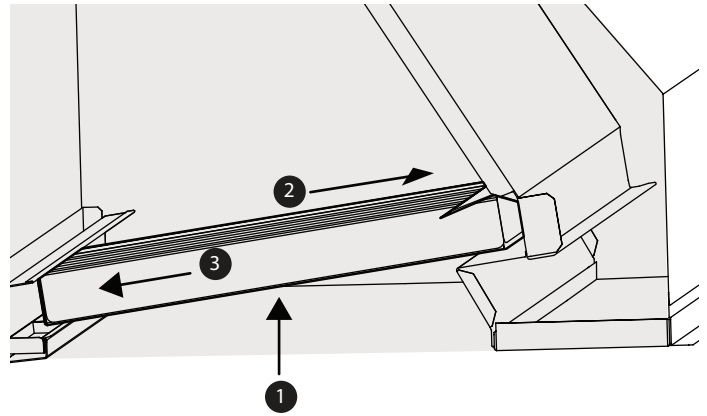
## Installez les filtres et les plateaux à graisse

**NOTE :** N'utilisez pas la surface de cuisson lorsque la hotte n'est pas assemblée.

- 1. Tournez le ventilateur et lumières éteintes.
- 2. Enlevez tout le plastique des pièces de la hotte.
- 3. Insérez les pièces dans l'ordre suivant :
  - a) Plateaux à graisse — poussez les plateaux dans la partie inférieure de l'intérieur de l'appareil. Les plateaux à graisse doivent être en place avant l'installation des filtres.
  - Installez le petit plateau à graisse au centre de la hotte.



- b) Filtres — Commencez par insérer le filtre de 8 po au centre, puis ajoutez les autres jusqu'aux bords. Poussez vers le haut et faites glisser vers l'avant de la hotte, puis poussez vers le fond.
- Le filtre de 8 po doit être installé au centre de la hotte en tout temps.



- c) Filtre entretoise — Le cas échéant, insérez les entretoises de filtre aux extrémité gauche et droite. Les plateaux à graisse doivent être en place avant l'installation des filtres.

Suivez les directives ci-dessus dans le sens inverse pour enlever le plateau à graisse et les filtres. Assurez vous que les filtres ont refroidi et que la graisse s'est figée avant de les enlever.

# Service et liste de vérification de l'installateur

## Liste de vérification à l'intention de l'installateur

### Vérification final

- \_\_\_\_\_ Espaces libres indiqués respectés par rapport à la surface de cuisson.
- \_\_\_\_\_ L'appareil est de niveau.
- \_\_\_\_\_ Tout le matériel d'emballage a été enlevé.
- \_\_\_\_\_ Le propriétaire sait où se trouve le tableau de disjoncteurs.
- \_\_\_\_\_ Mise à la terre adéquate.
- \_\_\_\_\_ Écrivez le numéro de modèle et le numéro de série sur trouvant sur la plaque signalétique dans le Manuel d'Utilisation et d'Entretien. Laissez le Manuel d'Utilisation et d'Entretien et le Manuel d'Installation au propriétaire de l'appareil.

- Vous pouvez nettoyer l'acier inoxydable en le frottant avec un chiffon doux et de l'eau savonneuse tiède. Frottez et séchez toujours l'acier inoxydable dans le sens du grain. Rincez-le à l'eau claire et séchez-le avec un chiffon doux.
- Pour polir et protéger l'acier inoxydable, appliquez du produit à acier inoxydable avec un chiffon doux. Vous pouvez vous procurer le produit pour acier inoxydable de Thermador à la boutique en ligne ([store.thermador.com/us/](http://store.thermador.com/us/)). Commandez le produit 00576697.
- NE laissez PAS les dépôts rester pendant de longues périodes.
- N'utilisez PAS de laines ou brosses d'acier ordinaires. De petits dépôts d'acier pourraient adhérer à la surface et la faire rouiller.
- NE permettez PAS que des solutions salées, des éponges ou produits nettoyants abrasifs, des désinfectants, de l'eau de Javel ou d'autres produits nettoyants restent en contact avec l'acier inoxydable pendant de longues périodes. Plusieurs de ces produits contiennent des produits chimiques potentiellement nuisibles. Rincez avec de l'eau après chaque exposition et séchez avec un chiffon propre.

## Avant d'appeler le service à la clientèle

### Dépannage

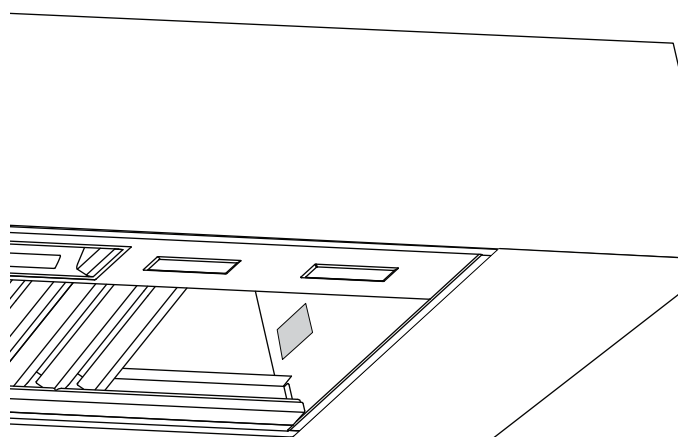
Consultez la section dépannage du manuel d'utilisation et d'entretien. Rapportez-vous à la garantie du manuel d'utilisation et d'entretien. Ayez à portée de la main les renseignements imprimés sur la plaque signalétique de votre appareil lorsque vous appelez le service à la clientèle.

Consultez les coordonnées apparaissant au verso du manuel pour joindre un représentant du service à la clientèle. Ayez à portée de la main les renseignements imprimés sur la plaque signalétique de votre appareil lorsque vous appelez le service à la clientèle.

## Plaque signalétique du produit

La plaque signalétique comprend le numéro de modèle et le numéro de série. Rapportez-vous à la plaque signalétique lorsque vous demandez du service.

La plaque signalétique indique le numéro de modèle et le numéro de série. Elle se trouve derrière les filtres.



# Índice de MATERIAS

Seguridad .....	43
Instrucciones de seguridad importantes .....	43
Planificación previa .....	46
Antes de comenzar .....	46
Información general.....	47
Instrucciones de instalación.....	48
Requisitos instalación .....	48
Exigencias eléctricas .....	49
Preparación del conducto de aireación .....	50
Configuraciones de conductos comunes .....	52
Elección de un ventilador adecuado .....	53
Junta de la campana .....	53
Preparación de la abertura del techo y del armazón .....	54
Instalación empotrada a medida con adornos.....	54
Instalación del motor del ventilador.....	56
Conexión de los cables .....	58
Interruptor de relé de regulador de tiro de aire de compensación (opcional).....	59
Instalación del mando a distancia (opcional).....	60
Instalación de las bandejas para la grasa y de los filtros .....	61
Servicio y lista de chequeo del instalador .....	62
Lista de comprobaciones del instalador.....	62
Antes de solicitar servicio .....	62
Placa de señalización .....	62
Mantenimiento, accesorios, y piezas.....	contraportada

# Definiciones de SEGURIDAD

---

## ▲ ADVERTENCIA

---

Esto indica que se pueden producir lesiones graves o la muerte si no se cumple con esta advertencia.

---



---

## ▲ PRECAUCIÓN

---

Esto indica que pueden producirse lesiones leves o moderadas si no se cumple con esta advertencia.

---

**NOTA:** Esto indica que puede producirse un daño al electrodoméstico o a la propiedad como resultado de la falta de cumplimiento de este aviso.

**Nota:** Esto lo alerta sobre información y/o consejos importantes.

*Este electrodoméstico de THERMADOR®*  
está hecho por BSH Home Appliances Corporation  
1901 Main Street, Suite 600  
Irvine, CA 92614

---

*¿Preguntas?*

1-800-735-4328

www.thermador.com

*¡Esperamos oír de usted!*

## ⚠ INSTRUCCIONES IMPORTANTES DE SEGURIDAD LEA Y GUARDE ESTAS INSTRUCCIONES

**INSTALADOR:** Guarde estas instrucciones para el inspector de la empresa proveedora de gas de su localidad. Deje esas instrucciones de instalación junto con el aparato para el propietario. Muestre al propietario la ubicación del disyuntor o del fusible. Márquela para recordarla más fácilmente.

**PROPIETARIO:** Guarde estas instrucciones para futuras referencias.

---

### ⚠ ADVERTENCIA



Si no sigue rigurosamente la información contenida en este manual podría provocar un incendio o una explosión, y como resultado podría causar daños a la propiedad, lesiones o la muerte.

- 
- No guarde o use materiales combustibles, gasolina u otros productos inflamables, bajo cualquier tipo de envase cerca de esta placa de cocción o de cualquier otro aparato.
  - QUÉ HACER EN CASO DE OLER A GAS
    - No trate de encender ningún aparato.
    - No toque ningún interruptor eléctrico.
    - No use ningún teléfono en su casa.
    - Llame de inmediato a su proveedor de gas desde el teléfono de algún vecino y siga las instrucciones de su proveedor de gas.
    - Cuando no pueda localizar a su proveedor de gas, llame a los bomberos.
  - Un instalador cualificado, una agencia de servicio autorizada o el proveedor de gas debe realizar la instalación y el servicio.
- 

---

### ⚠ ADVERTENCIA

Corte la alimentación eléctrica y bloquee el panel del disyuntor antes de instalar el cableado de este aparato. Requisitos: 120 VCA, 60 Hz, 15 A o 20 A en algunos modelos. Antes de proceder al mantenimiento del aparato, déjelo enfriar una vez haya cortado la alimentación.

---

---

### ⚠ ADVERTENCIA

#### Dispositivo Automático

Para evitar el riesgo de lesiones desconectar siempre el aparato de la red eléctrica antes de realizar cualquier trabajo.

---

---

### ⚠ ADVERTENCIA

#### PARA REDUCIR EL RIESGO DE INCENDIO, DE DESCARGA ELÉCTRICA Y DE LESIONES, SIGA LAS SIGUIENTES INSTRUCCIONES:

- Sólo use este aparato de la manera prevista por el fabricante. Si tiene preguntas, póngase en contacto con el fabricante.
  - Antes de limpiar o de proceder al mantenimiento del aparato, corte la alimentación eléctrica en el panel y bloquee el dispositivo de desconexión para evitar que se vuelva a encender la alimentación eléctrica por error. Si el dispositivo de corte de electricidad no se puede bloquear, ponga una advertencia (como una etiqueta) fácilmente visible en el disyuntor. Póngase en contacto con el fabricante a la dirección o al número de teléfono que figuran en la página posterior.
- 

---

### ⚠ ADVERTENCIA

No repare ni reemplace ninguna pieza del aparato a menos que el presente manual lo recomiende expresamente. La instalación, reparación y el mantenimiento incorrectos del aparato pueden causar lesiones a personas, daños a la propiedad, o anular la garantía del producto. Consulte este manual para obtener consejos. Un técnico cualificado debe llevar a cabo todos los demás trabajos de mantenimiento.

---

# ⚠ INSTRUCCIONES IMPORTANTES DE SEGURIDAD

## LEA Y GUARDE ESTAS INSTRUCCIONES

---

### ⚠ ADVERTENCIA

---



#### RIESGO DE DESCARGA ELÉCTRICA

- No quite la clavija de toma de tierra.
  - No use un alargador eléctrico.
  - Una toma de tierra inadecuada para el aparato puede aumentar los riesgos de descarga eléctrica.
  - El hecho de no seguir las instrucciones de este manual puede causar la muerte o provocar un incendio o una descarga eléctrica.
- 

#### Instrucciones para la toma de tierra

Para el correcto funcionamiento de este aparato debe realizarse la toma de tierra. En el caso de un cortocircuito, la toma de tierra reduce los riesgos de descarga eléctrica proporcionando a la corriente eléctrica una vía de escape segura.

Asegúrese de que un electricista cualificado efectúe la conexión y la toma de tierra de este aparato. La instalación, la conexión eléctrica y la toma de tierra deben cumplir con todos los códigos vigentes.

Si lo exige el Código nacional de la electricidad (o el Código Canadiense de la electricidad, este aparato se debe instalar en un circuito de derivación separado.

---

### ⚠ ADVERTENCIA

---

Para reducir los riesgos de incendio y de descargas eléctricas, no utilice este aparato con un dispositivo electrónico de control de velocidad.

---

#### Normas y códigos de seguridad

Este aparato respeta una o varias de las normas siguientes:

- UL507, norma de seguridad para ventiladores eléctricos.
- CAN/CSA-C22.2 No. 113 – ventiladores

Corresponden al dueño y al instalador determinar si se deben aplicar requisitos o normas adicionales a la instalación específica.

---

### ⚠ PRECAUCIÓN

---



El aparato es pesado. Se necesitan por lo menos dos personas, o el equipo adecuado, para levantarlo y desplazarlo.

Las superficies ocultas del aparato pueden tener salientes cortantes. Tenga cuidado al manipular el aparato. De lo contrario, podría causar de daños a la propiedad o lesiones corporales.

---

---

#### Disposición de la Propuesta 65 del Estado de California:

##### ⚠ ADVERTENCIA

Este producto puede exponerle a sustancias químicas, incluyendo cloruro de vinilo, que el estado de California sabe que provocan cáncer, defectos congénitos u otro daño reproductivo. Para obtener más información, ir a la página web: [www.P65Warnings.ca.gov](http://www.P65Warnings.ca.gov).

---

Nunca modifique la construcción del aparato. Por ejemplo, no quite los paneles laterales, los cubre cables, los tornillos o los soportes.

---

### ⚠ PRECAUCIÓN

---

Sólo para ventilación general. No use este aparato para evacuar gases o materiales explosivos o peligrosos. Para reducir el riesgo de incendio, sólo use conductos metálicos.

---

Contrate a un instalador cualificado.

Retire toda la cinta y el embalaje antes de usar el electrodoméstico. Desechar el embalaje de manera respetuosa con el medio ambiente. Nunca deje que los niños jueguen con el material de embalaje.

# INSTRUCCIONES IMPORTANTES DE SEGURIDAD

## LEA Y GUARDE ESTAS INSTRUCCIONES

---

### ADVERTENCIA

---

**PARA REDUCIR EL RIESGO DE INCENDIO, DE DESCARGA ELÉCTRICA O DE LESIÓN, SIGA LAS SIGUIENTES INSTRUCCIONES:**

- Los trabajos de instalación y de cableado eléctrico deben de llevarse a cabo por una persona cualificada conforme a las estipulaciones de todas las normas y regulaciones vigentes, incluso las normas de construcción clasificadas como resistentes al fuego.
- Para evitar contracorrientes, se requiere una cierta cantidad de aire para la combustión y la evacuación de los gases por el tiro del aparato de combustión. Siga las indicaciones de calentamiento del fabricante del aparato y las normas de seguridad, como las publicadas por la National Fire Protection Association (NFPA), la Heating, Refrigeration and Air Conditioning Engineers (ASHRAE) y las autoridades locales.
- No extraiga el aire hacia los espacios entre las paredes, el techo, el ático, los vacíos sanitarios o el garaje.
- Los ventiladores con conductos siempre deben extraer el aire hacia afuera.
- Los ventiladores entubados siempre deben ser ventilados hacia el exterior.
- **UTILICE SÓLO CONDUCTOS METÁLICOS.**
- Cuando corte o perfore una pared o un techo, asegúrese de no dañar el cableado eléctrico o cualquier otra instalación técnica que pueda estar oculta.

---

### PRECAUCIÓN

---

Se debe instalar un ventilador exterior detrás de las rejillas o en un lugar donde sea poco probable que se ubique la entrada de extracción de agua.

---

# Planificación previa

## Antes de comenzar

### ▲ PRECAUCIÓN

Antes de realizar la instalación, desconectar la alimentación eléctrica en el panel de servicio. Bloquear el panel de servicio para impedir que se conecte accidentalmente la alimentación eléctrica.

### Piezas proporcionadas

- Racor metálico con registro anti retorno
- Filtros de acero inoxidable
- Bandejas para la grasa de acero inoxidable
- Separadores de filtro de acero inoxidable
- Piezas de adorno
- Adaptador para ventilador a distancia
- Juego de elementos de fijación\*

\* Los elementos de fijación proporcionados sirven para fijar el aparato a los travesaños de la pared, a través de tablas de yeso de grosor estándar. Los instaladores son los responsables de proporcionar los elementos de fijación para el resto de posibles situaciones de montaje.

### Piezas y herramientas requeridas

- Ventilador (Consultar la «Guía de Planeación de Ventilación» para obtener información sobre los ventiladores compatibles.)
- Conducto de aireación, según las necesidades (consulte «Longitud total equivalente del conducto con los racores más comunes» en la página 51.)
- Cinta de aluminio (**NO use cinta para conductos.**)
- Tubo protector de 1/2 pulg. (13 mm) si es necesario, siga los códigos locales
- Prensacable de 1 pulg. (25,4 mm)
- Destornilladores Phillips
- Destornillador Torx T20
- Llave de tuerca o carraca y boquilla de 11/32"
- Taladrar con broca de 3/16" y 1/4"
- Material de enmarcado (según lo que se requiere para construir el marco)
- Sierra circular o caladora
- Pelacables
- Cinta métrica
- Guantes de protección

**IMPORTANTE:** No tire el embalaje antes de que el aparato esté completamente instalado.

Los accesorios opcionales están disponibles para su compra por separado

Consulte [www.thermador.com](http://www.thermador.com) para obtener más detalles.

- REMCPW – Mando a distancia
- EXTNCB25W – Cable de conexión de 25 pies para soplador
- WC8 - 8" Cubierta de pared
- WC10 - 10" Cubierta de pared
- RFPLT600P - Placa de techo para utilizarse con módulo de ventilador 600 CFM VTR630
- RFPLT1000P - Placa de techo para utilizarse con módulo de ventilador 1000 CFM VTR1030 y 1300 CFM ventilador VTR1330

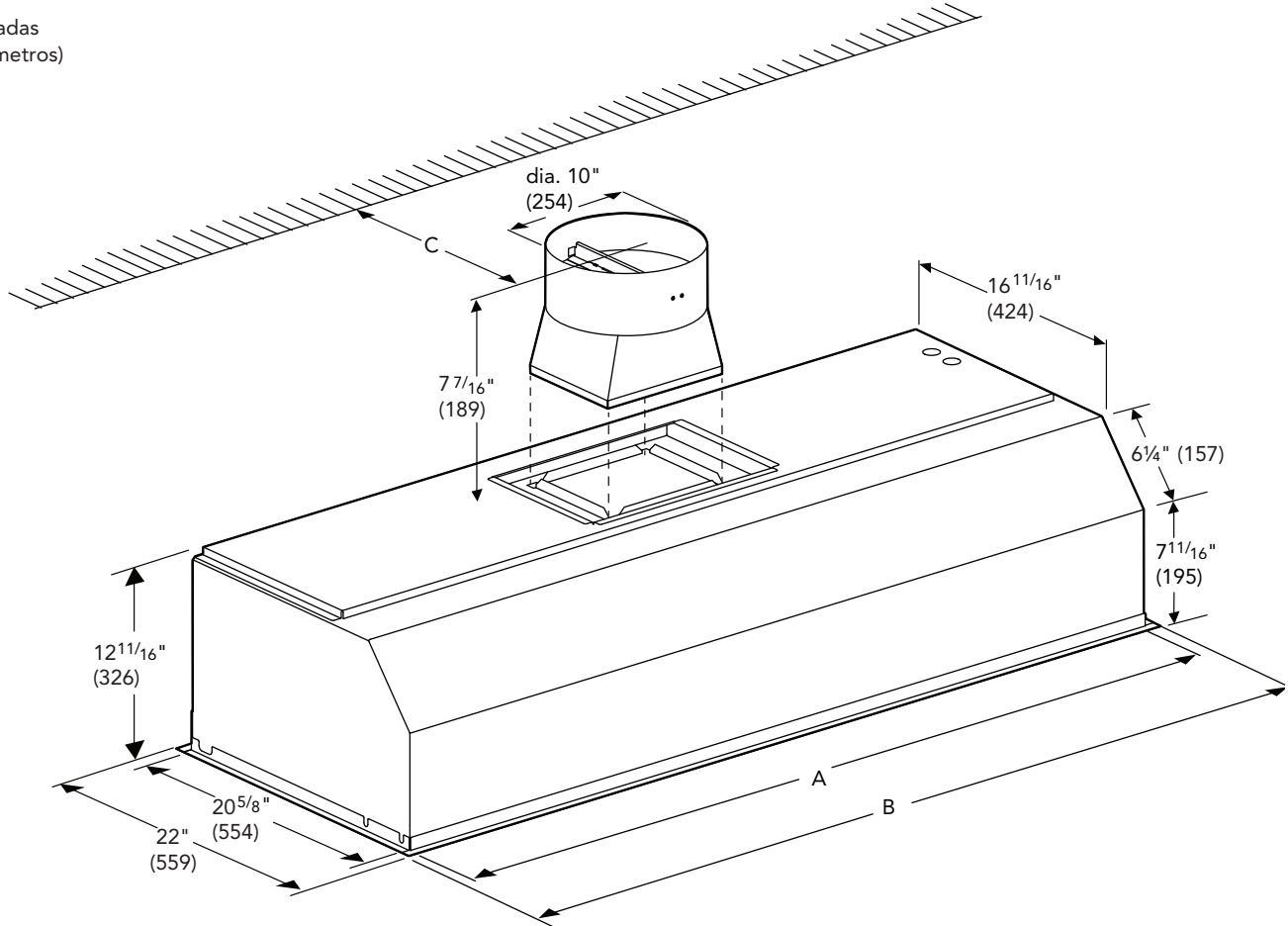


# Información general

## Dimensiones totales

Esta serie de modelos tiene un techo de acero inoxidable cepillado, tiene luces LED, y piezas de acabado.

pulgadas  
(milímetros)



Modelo	Dimensión A	Dimensión B	Dimensión C
VCIN36WP	32-3/8" (822)	33-3/4" (857)	Con piezas de adorno: 7-3/8" – 10-3/8" (187 – 264)
VCIN42WP	38-1/4" (972)	39-3/4" (1010)	Sin piezas de adorno: 6-5/8" – 9-5/8" (168 – 245)
VCIN48WP	44-3/8" (1127)	45-3/4" (1162)	
VCIN54WP	50" (1270)	51-3/4" (1315)	
VCIN60WP	56-1/2" (1435)	57-3/4" (1467)	

**NOTA:** La transición es horizontalmente centrada. Para un desempeño óptimo, la campana se debe instalar nivelada a la pared trasera. En tales instalaciones, la moldura trasera no es necesaria. Para las instalaciones de 1/2" – 3" (13 – 76 mm) desde la pared trasera, se puede usar la pieza de ajuste trasera.

**IMPORTANTE:** La campana debe estar centrada sobre la placa de cocción para obtener resultados óptimos.

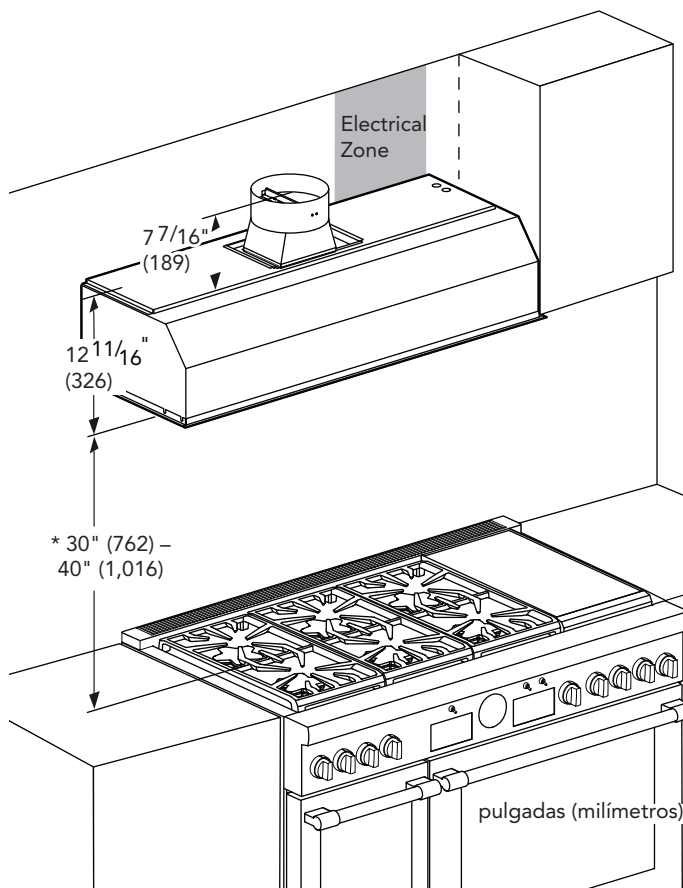
# Instrucciones de instalación

## Requisitos instalación

### Espacios y requisitos

El aparato está diseñado para extraer el aire fuera. No se puede usar con un sistema de recuperación de aire.

La altura de instalación de la campana sobre una placa de cocción o de una estufa puede variar. Para respetar la altura de instalación necesaria sobre una placa de cocción o una estufa, consulte el manual de instalación del aparato.



\*Siga las recomendaciones del fabricante del aparato.

**AVISO:** Si la campana está instalada a una distancia inferior a los espacios libres mínimos, y además, se utilizan a la vez varios quemadores de una placa de cocción o de una estufa Professional® de Thermador bajo la campana, el calor puede dañarla.

### Anchura de la campana

La anchura máxima de la campana no debe ser inferior a la anchura de la placa de cocción. Para ofrecer un rendimiento adecuado, el armazón de la campana debe cubrir la totalidad de la placa de cocción.

La campana debe estar centrada sobre la placa de cocción para un resultado óptimo. Cuando hay espacio suficiente, se puede utilizar una campana más ancha para aumentar la cobertura.

### Distancia hasta la placa de cocción

La altura de instalación debe ser como mínimo de 30 pulg. (762 mm) a una altura máxima 40 pulg. (1016 mm) sobre la placa de cocción. Se deben respetar las instrucciones de instalación del fabricante del aparato de cocción para establecer la altura adecuada de la campana.

### Peso del aparato

Esta campana de ventilación es pesada. Se debe proporcionar la estructura y el soporte adecuados en todos los tipos de instalaciones. Al calcular la carga para el sistema de soporte del armazón, asegúrese de tener en cuenta el peso del aparato de ventilación.

Modelo	Peso
VCIN36WP	53 lb (24 kg)
VCIN42WS	63 lb (29 kg)
VCIN48WP	69 lb (31 kg)
VCIN54WP	79 lb (36 kg)
VCIN60WP	85 lb (39 kg)
Ventilador integrado VTN1090R	23 lb (11 kg)
Ventilador integrado VTN630W	11 lb (5 kg)

#### AVISO:

Los pesos mencionados sólo se aplican al aparato de ventilación y al ventilador. El instalador debe tener en cuenta el peso del material de construcción al calcular la carga permanente total de la instalación, incluso, sin limitarse a ello, de los elementos siguientes: pared, baldosas, cemento, yeso, ladrillos, acabados, tabiques y otros componentes arquitectónicos y estructurales. Incumbe al dueño y al instalador determinar si se deben aplicar requisitos o normas adicionales a la instalación específica.

## Motores del soplador

Puede obtener los sopladores internos, en línea y remotos por medio de su distribuidor Thermador® autorizado. Para obtener información sobre distribuidores locales, visite la sección "Find a dealer" (Encuentre un distribuidor) de nuestro sitio web [www.thermador.com](http://www.thermador.com).

El tamaño del soplador varía según la superficie de cocción, el volumen de aire que deba mover y la longitud del tramo del conducto. Consulte la sección «Instalación del motor del ventilador» para obtener información detallada sobre el motor del soplador.

## Carpintería de la pared

Teniendo en cuenta el peso de la campana, asegúrese de que de la campana esté fijado a todos los travesaños disponibles de la pared.

La carpintería debe estar bien fijada y junto a las vigas del techo para proporcionar la fuerza estructural suficiente para soportar el peso de la campana y del ventilador interno, si es necesario.

La carpintería de la pared debe estar compuesta, como mínimo, por maderos de 2 pulg. por 4 pulg. Se necesita un soporte estructural adecuado para soportar el peso de la campana.

## Exigencias eléctricas

---

### ⚠ PRECAUCIÓN

---

Se debe realizar una toma de tierra para este aparato. La instalación del aparato debe de llevarse a cabo por un electricista cualificado conforme a los códigos locales y nacionales vigentes de la electricidad.

---

Se debe conectar este aparato a un circuito de derivación de 120 VCA, 60 Hz, 15 A. El soplador VTR1330 junto con un PHxxGWS requiere un interruptor automático de 20 amperios. Se debe conectar la campana únicamente a un tomacorriente mural con toma de tierra instalada conforme a las regulaciones vigentes.

Cuando están protegidas por un interruptor de fallos con toma de tierra (GFCI), las campanas Professional de Thermador pueden utilizarse en sitios húmedos, protegidos de las condiciones meteorológicas exteriores y no sujetos a saturaciones de agua u otros líquidos, aunque presenten cierto grado de humedad (como en terrazas cubiertas o verandas). Consulte los códigos locales, el código nacional de la electricidad o el Código canadiense de la electricidad así como la autoridad competente para obtener más información.

Consulte los códigos de construcción locales para conocer el método de instalación adecuado. En EEUU, si no hay un código local vigente, se debe instalar este aparato conforme a la edición más reciente de la norma 70 del Código nacional de la electricidad ANSI/NFPA. En Canadá, la instalación se debe hacer conforme a las normas CAN 1- B149.1 y .2 para aparatos de gas o los códigos locales vigentes.

---

### ⚠ ADVERTENCIA

---

Se debe realizar una toma de tierra para este aparato.

---

**NOTA:** Se venden cables de conexión para ventilador a distancia (EXTNCB25W) de 25 pies si se quiere conectar la campana a un ventilador a más de 25 pies de distancia (adquirido por separado). NO utilice más de un cable de conexión para cada instalación.

## Datos eléctricos de la placa de señalización

Los datos eléctricos del aparato, incluidos el número de modelo y el número de serie, se encuentran en la placa de señalización situada en el interior del aparato, visible cuando se quita el marco de los filtros. (Consulte la sección «Placa de señalización del producto».)

# Preparación del conducto de aireación

## Dirección de descarga

El aire debe ser evacuado hacia arriba mediante un conducto o directamente fuera a través de la pared exterior.

## Recomendaciones para el conducto

El buen rendimiento depende de un conducto adecuado. El código de construcción local puede exigir que se use un sistema de aire de recambio, cuando se use un sistema de ventilación con conductos cuya cantidad de  $\text{pi}^3/\text{min}$  de aire sea superior a lo indicado. Los pies cúbicos por minuto varían de un sitio a otro. Incumbe al dueño y al instalador determinar si se deben aplicar requisitos o normas adicionales a la instalación específica.

**NO USE CONDUCTOS FLEXIBLES.** Esos conductos crean turbulencias y reducen el rendimiento. Instale siempre una tapa metálica en el lugar donde salga el conducto de la casa. La campana solo debe ventilarse hacia el exterior del edificio.

**TEMPERATURAS FRÍAS.** Para una instalación donde las condiciones meteorológicas son frías, se debe instalar un registro anti retorno adicional para minimizar la entrada de aire frío de fuera, con un aislante térmico no metálico que minimice la conducción de la temperatura exterior hacia el conducto. El registro debe colocarse en el aislante térmico, en el lado del aire frío. El aislante se debe instalar tan cerca como sea posible de la parte donde el conducto entra en la parte caliente de la casa.

**AIRE DE RECAMBIO:** El código de construcción local puede exigir que se use un sistema de aire de recambio cuando se usa un sistema de ventilación con conductos cuya cantidad de  $\text{pi}^3/\text{min}$  de aire es superior a lo indicado. La cantidad de  $\text{pi}^3/\text{min}$  indicada varía de un código a otro. Corresponden al dueño y al instalador determinar si se deben aplicar requisitos o normas adicionales a la instalación específica.

Por razones de seguridad, el conducto debe extraer directamente el aire hacia el exterior (y no en el ático, bajo la casa, en el garaje o en un espacio cerrado).

El aparato no se puede usar con un sistema de recuperación de aire.

THERMADOR recomienda que la longitud total no exceda 50 pi (15,24 m).




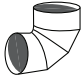
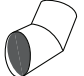
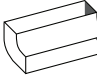
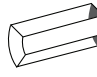

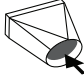
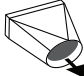
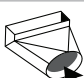
Instale el conducto más corto y recto que pueda. Los codos y las juntas reducen la eficacia de la circulación de aire. El uso de dos codos en forma de «S» o más, da malos resultados y no es recomendable.

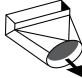
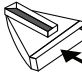
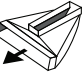
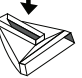



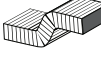

El uso de un conducto corto y recto en el lugar donde se instala un ventilador a distancia da mejores resultados.

Las campanas se venden con una junta circular de 10 pulg. (254 mm). Deben de comprarse juntas si son de dimensiones distintas.

Utilice la tabla «Longitud total equivalente del conducto con los racores más comunes» para calcular la longitud total aceptable del conducto entre la campana y el exterior.

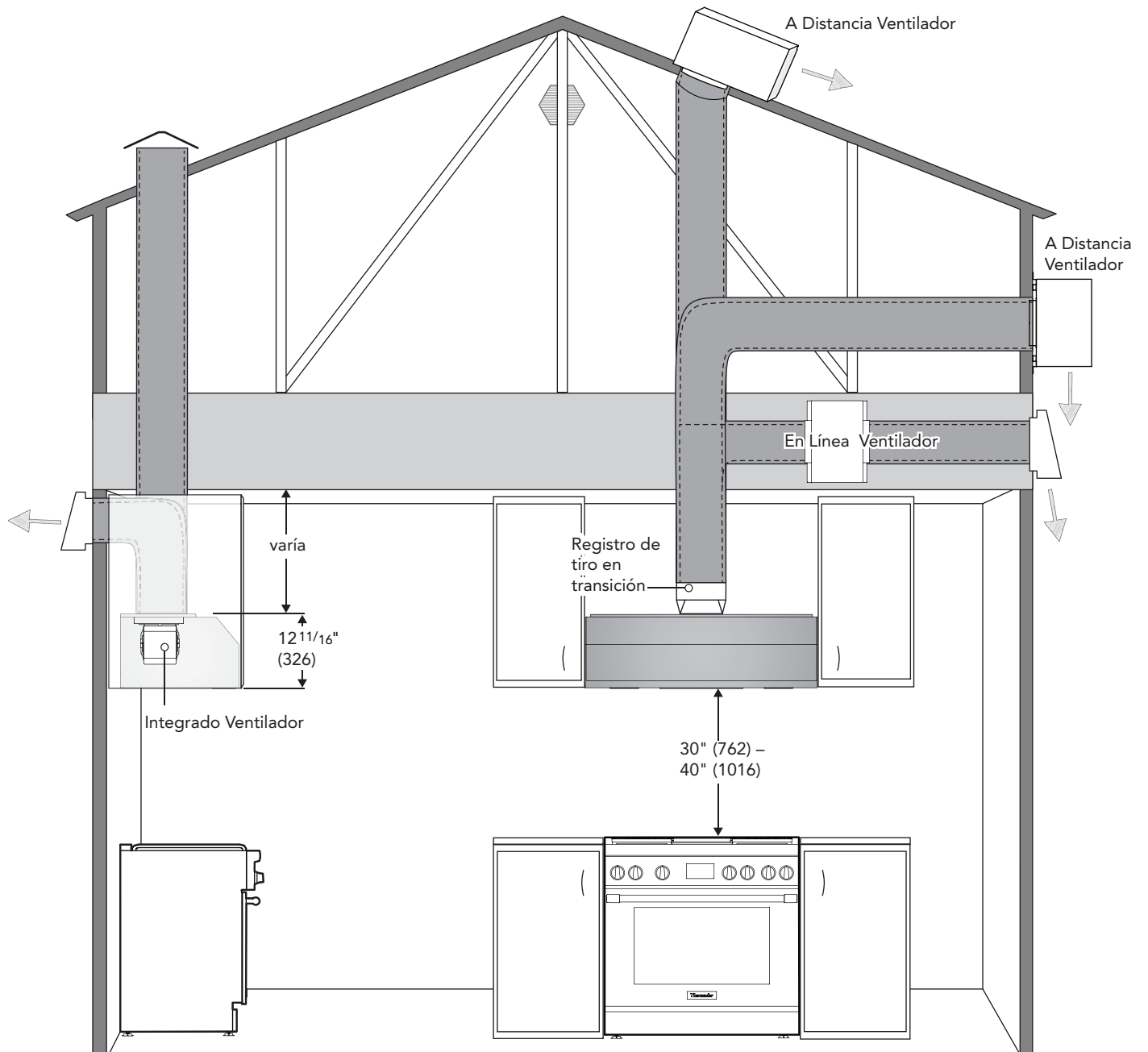
## Longitud total equivalente del conducto con los racores más comunes

Pieza de conducto	Diámetro de la pieza (pulg.)	Longitud equivalente (pi)
 Liso, recto	6	1.2
	8	0.7
	10	0.6
 3/4 pulg. x 10 pulg. recto	N/D	1
 3/4 pulg. x 14 pulg. recto	N/D	0.7
 Codo circular a 90°	6	12
	8	6
	10	5
 Codo circular a 45°	6	5
	8	3
	10	2
 Codo de 3/4 pulg. x 10 pulg. a 90°	N/D	5
 Codo de 3/4 pulg. x 10 pulg. a 45°	N/D	15
 Codo llano de 3/4 pulg. x 10 pulg.	N/D	20
 Circular a 3/4 pulg. x 10 pulg.	6	1
	8	10
 3/4 pulg. x 10 pulg. a circular	6	5
	8	2
 Circular a codo de 3/4 pulg. x 10 pulg. a 90°	6	10

Pieza de conducto	Diámetro de la pieza (pulg.)	Longitud equivalente (pi)
 3/4 pulg. x 10 pulg. a codo circular a 90°	6	10
 Codo invertido izquierdo a céntrico de 3/4 pulg. x 10 pulg.	N/D	15
 Codo invertido recto a centro de 3/4 pulg. x 10 pulg.	N/D	25
 Codo invertido a izquierda de 3/4 pulg. x 10 pulg.	N/D	15
 Codo invertido a recto de 3/4 pulg. x 10 pulg.	N/D	25
 Salida circular mural	6	2
	8	2
	10	2
 Salida circular de techo	6	2
	8	2
	10	2
 Conducto flexible de 3/4 pulg. x 10 pulg. de 2 pies de long.	N/D	20
 Soporte de fijación y obturador de techo de 3/4 pulg. x 10 pulg.	N/D	2

NOTA: Esas piezas de uso frecuente se venden en ferreterías. Thermador no fabrica todas esas piezas.

# Configuraciones de conductos comunes



**NOTA:** La figura no representa todas las configuraciones o los métodos de instalación. La imagen se debe usar SOLO como una guía.

## Elección de un ventilador adecuado

Sólo use ventiladores Thermador® con las campanas Thermador. Vea la «Guía de Planificación de Ventilación» para saber qué ventiladores se recomiendan. Póngase en contacto con atención al cliente para conocer otras opciones posibles (vea la contraportada del manual para obtener la información de contacto).

**IMPORTANTE:** Se cancelará la garantía si se corta un conector, un cable del ventilador o el alargador.

La elección de un ventilador depende del volumen que se debe extraer así como de la longitud y de la ubicación del conducto. Para los conductos largos que tienen muchos empalmes y cambios de dirección, se puede usar un ventilador más potente. Para una evacuación eficaz del aire, use un conducto recto con tan pocos codos como sea posible.

### Ventiladores integrados

Estos ventiladores se integran a la campana durante la instalación.

### Ventiladores a distancia

Según la preferencia y la ubicación del conducto, estos ventiladores se pueden instalar en el techo o en una pared exterior de su casa. La ventaja de una instalación en el exterior es la reducción del ruido en la cocina.

### Ventiladores en línea

Para minimizar el ruido en la cocina, estos ventiladores se instalan en el conducto, en algún lugar entre la cocina y la pared exterior. Si el conducto es de fácil acceso (por ejemplo, si pasa por el desván), esta opción puede ser interesante.

### 25 pies Cable de conexión para soplador

Se venden cables de conexión para ventilador a distancia (EXTNCB25W) de 25 pies si se quiere conectar la campana a un ventilador a más de 25 pies de distancia (adquirido por separado). NO utilice más de un cable de conexión para cada instalación.

## Junta de la campana

### Dirección de descarga

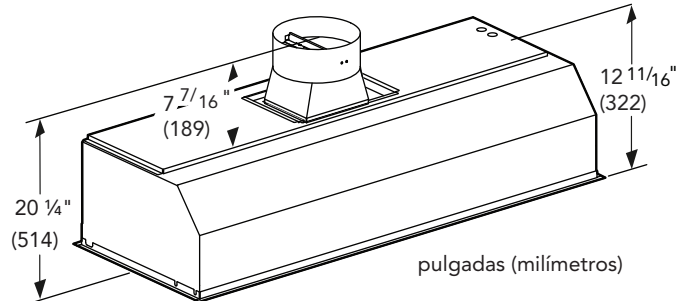
El aire de salida debe ser liberado hacia arriba a través de un conducto o directamente a través de la pared externa a la intemperie.

La campana se puede montar en la pared sólo con una descarga vertical.

### Ensamblaje del racor

Las campanas se suministran con una transición redonda de 10" (254 mm). Se requiere una transición suministrada localmente para otros tamaños.

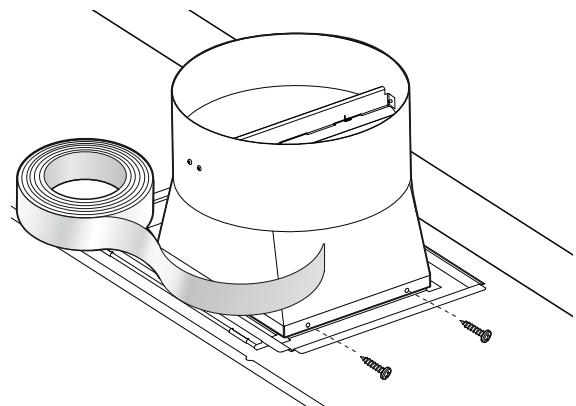
1. Se requiere una altura libre mínima de 7-7/16 pulg. (188 mm) sobre la campana para instalar el racor.



2. Alinee los agujeros de montaje de la base del racor con los agujeros de montaje de la brida de 1/2 pulg. (13 mm) situada en la parte superior o trasera de la campana.
3. Sujete el racor a la campana con cuatro tornillos para chapa de 1/4 pulg. (6 mm) proporcionados con la campana.

**Nota:** Los tornillos no deben obstaculizar el funcionamiento de amortiguación.

4. Selle la junta entre el racor y la campana con cinta de aluminio (y NO con cinta para conductos). Asegúrese de que la conexión está parcialmente sellada.





5. Quita el trozo de cinta que sujeta el registro en posición cerrada.

## Preparación de la abertura del techo y del armazón

Se debe montar este aparato en el armazón circundante. Vea la sección «Requisitos instalación» en la página 48 para sugerencias respecto a la altura de instalación.

Al calcular la carga para el sistema de soporte del armazón, asegúrese de tener en cuenta el peso del aparato de ventilación. Vea la «Peso del aparato» en la página 48 para saber el peso de las campanas según el modelo.

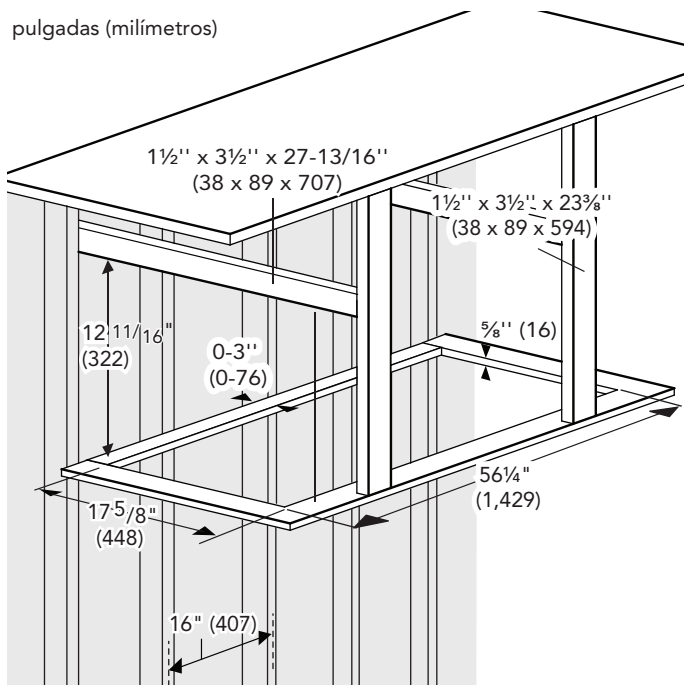
Construya el armazón conforme a las dimensiones apuntadas en las «Dimensiones de la aberturas para el racor y el tubo».

Para un desempeño óptimo, la campana se debe instalar nivelada a la pared trasera. En tales instalaciones, la moldura trasera no es necesaria.

La pieza de adorno espalda no puede ser necesaria en algunos casos de instalación donde hay una 1/2 pulg. (12,7 mm) o menos espacio entre la campana y la pared trasera.

## Dimensiones de la aberturas para el racor y el tubo

pulgadas (milímetros)



## Instalación empotrada a medida con adornos

### ⚠ PRECAUCIÓN



Hacen falta como mínimo dos personas para levantar la con seguridad.

Las superficies ocultas del aparato pueden tener salientes cortantes. Tenga cuidado al manipular el aparato, si no podría lesionarse o causar daños a su propiedad.

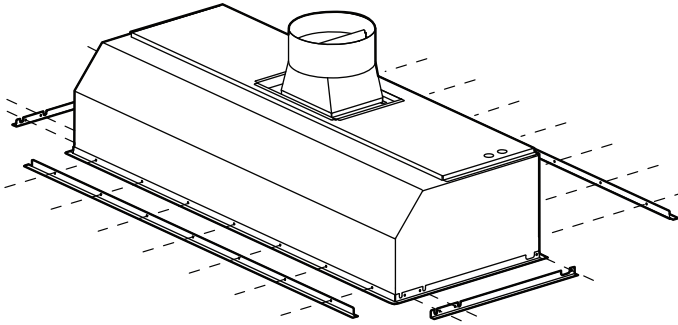
### ⚠ ADVERTENCIA

Antes de proceder a la instalación del aparato, corte la alimentación eléctrica en el panel y bloquee el dispositivo de desconexión para evitar que se vuelva a encender la alimentación eléctrica por error.

1. Corte de la alimentación en el panel. Bloquee el dispositivo de desconexión para evitar que se vuelva a encender la alimentación eléctrica por error.
2. Preparación del conducto
  - a) Vea la sección «Preparación del conducto de aireación» en la página 50.
  - b) Instale el racor metálico con el registro anti retorno de forma que se abra hacia el techo. Si hace falta, instale un aislante térmico y otro registro anti retorno (vea la sección «Elección de un ventilador adecuado» en la página 53).
3. Construcción del marco del armazón
  - a) Vea la sección «Información general» en la página 47 para saber las dimensiones de cada modelo.
  - b) Vea la sección «Requisitos instalación» en la página 48 para saber los espacios libres necesarios.
  - c) Construye el marco del armazón para el modelo elegido conforme a las dimensiones mencionadas a partir «Preparación de la abertura del techo y del armazón» en la página 54.

#### 4. Instalación de las bandas laterales

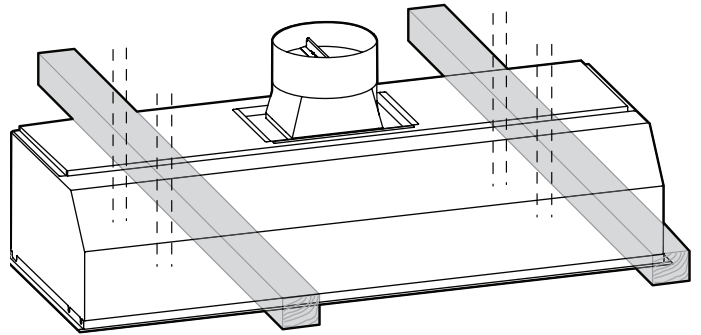
- Sujete las bandas a ras de la parte inferior del armazón. Fíjelas a la campana con (20) tornillos de 3/8 pulg. (9,5 mm).
- La pieza de adorno espalda no puede ser necesaria en algunos casos de instalación donde hay una 1/2" (12,7 mm) o menos espacio entre la campana y la pared trasera.



- Sujete la parte trasera del marco del armazón con seis (6) tornillos de montaje de 2 pulg. (50,8 mm).

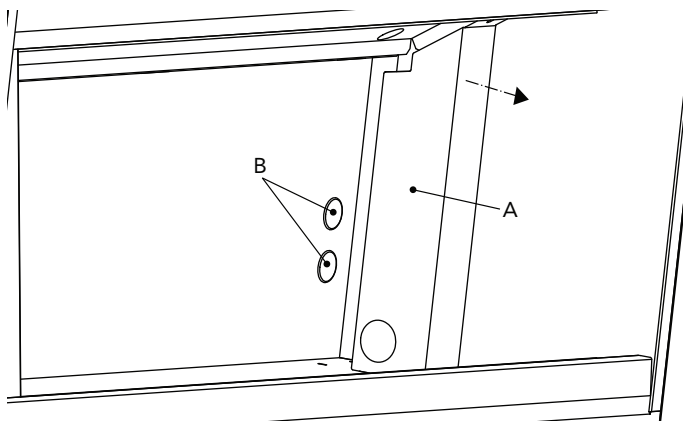


- Sujete las partes laterales del marco del armazón con seis (6) tornillos de montaje de 1 pulg. (25,4 mm) como se muestra en la figura.

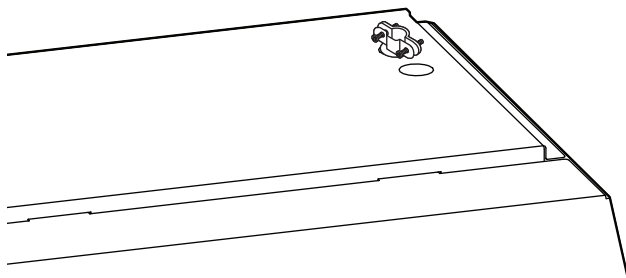


#### 5. Preparación para el encaminamiento del cable

- Quite la tapa de la caja de conexiones, la que cubre los cables.
- Quite las entradas circulares hundidas.



- Instale un prensa-cables (no incluido) en una de las entradas hundibles circulares.



#### 6. Instalación del aparato

- Instale el revestimiento interior dentro de la campana a medida.

#### 7. Conexión al conducto

#### 8. Instalación del ventilador

- Vea la sección «Elección de un ventilador adecuado» en la página 53.
- Vea la sección «Instalación del motor del ventilador» en la página 56.

#### 9. Conexión de la electricidad

- Conecte el cableado del ventilador (vea las instrucciones que empiezan en la página 56).

#### 10. Instalación de los filtros, de los paneles laterales y de las bandejas para la grasa

- Vea la sección «Instalación de las bandejas para la grasa y de los filtros» en la página 61.

#### 11. Comprobación de la instalación

- Compruebe el funcionamiento del ventilador y de las lámparas.
- Asegúrese de que no haya vueltas de aire. Con los ventiladores a potencia máxima, cierre las ventanas y las puertas circundantes y asegúrese de que el ventilador no cause vueltas en rejillas de ventilación de otros aparatos.

# Instalación del motor del ventilador

## Clasificación del ventilador y del disyuntor

Ventilador	Modelo	Tensión (CA)	Corriente ventilador (AMP)	Disyuntor (AMP)
A Distancia	VTR630	120	4,2	15
A Distancia	VTR1030	120	5,7	15
A Distancia	VTR1330	120	8,5	15 / 20
En Línea	VTI610	120	4,2	15
En Línea	VTI1010	120	5,7	15
Integrado	VTN630	120	4,2	15
Integrado	VTN1090	120	5,4	15

### ⚠ PRECAUCIÓN

Para reducir los riesgos de incendio y descarga eléctrica, instale esta campana de cocina únicamente con los ventiladores incluidos en la «Guía de Planificación de Ventilación».

**NOTA:** La garantía o la posibilidad de devolver o cambiar el producto se cancela si se corta el enchufe del ventilador.

Todos los otros modelos de ventiladores se venden por separado. Sólo use ventiladores Thermador con esos ventiladores de aireación. Consulte la «Guía de Planificación de Ventilación», para ver los modelos de ventiladores recomendados. Póngase en contacto con atención al cliente para conocer las otras opciones disponibles.

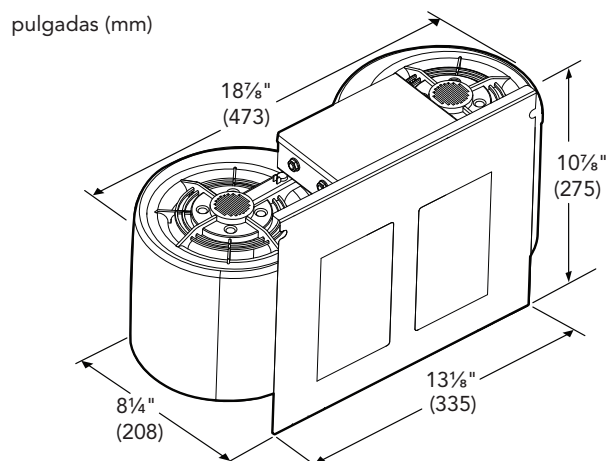
Todos los modelos de campana están clasificados para 120V de CA instalados con un ventilador listado en la tabla anterior, usando un interruptor de circuito dedicado de 15 amperios. El soplador VTR1330 junto con un PHxxGWS requiere un interruptor automático de 20 amperios.

La elección de un ventilador varía según el volumen de aire que se debe evacuar y la longitud y recorrido del conducto. Para los conductos largos que tienen muchos empalmes y cambios de dirección, se puede usar un ventilador más potente. Para una evacuación eficaz del aire, utilice un conducto recto con la mínima cantidad de codos posible (vea la sección «Preparación del conducto de aireación»).

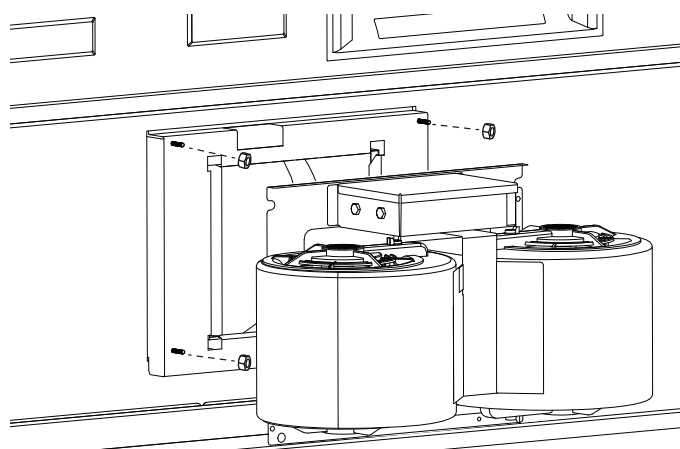
## Instalación de un ventilador integrado

Los modelos de ventiladores integrados se integran a la campana durante la instalación.

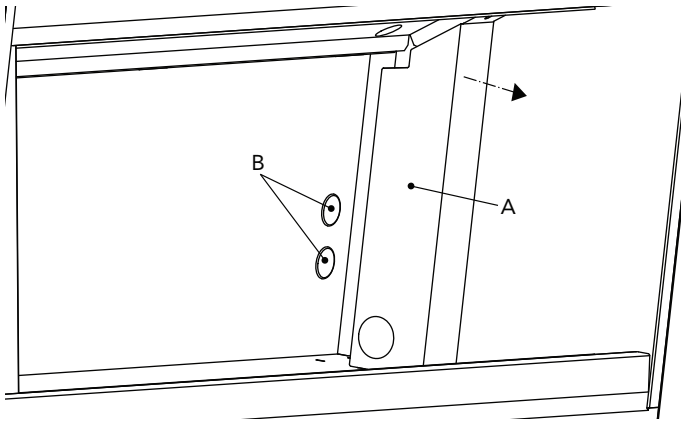
Para obtener instrucciones de instalación completas, consulte las instrucciones proporcionadas con el ventilador.



1. El ventilador está sujetado a la campana mediante las dos varillas soldadas de la placa de montaje. Alinee la placa de montaje del ventilador con las varillas.
2. Ajuste las cuatro (4) tuercas (proporcionadas con la campana). Apriete las tuercas para sujetar el ventilador a la campana.



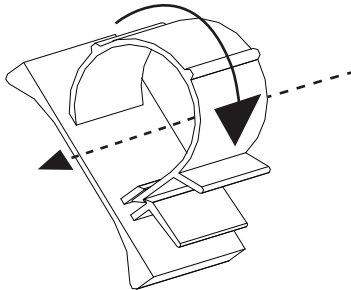
- Preparación para el encaminamiento del cable
  - Quite la tapa de la caja de conexiones, la que cubre los cables (A).
  - Quite las entradas circulares hundidas (B).



- Conecte el enchufe de conexión en el conector situado en el interior de la campana.



- Pasar el arnés del ventilador a través del clip autobloqueante..

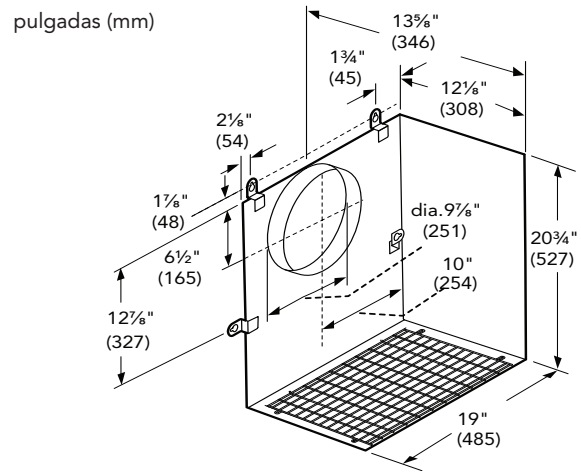


## Cableado de la campana con un ventilador a distancia o un ventilador en línea

Para obtener instrucciones de instalación completas, consultar las instrucciones suministradas con la unidad del ventilador.

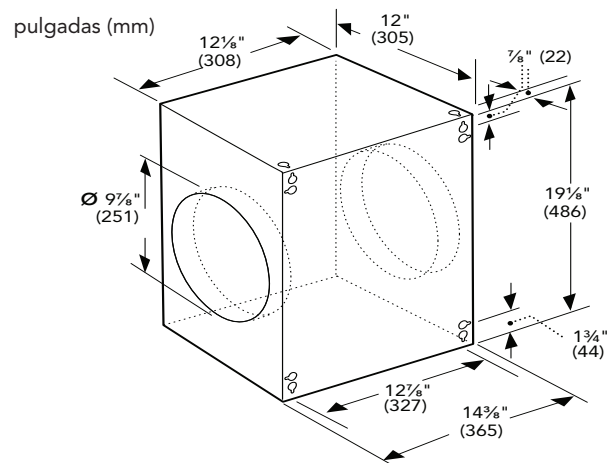
## Ventilador A Distancia

Según la preferencia y la ubicación del conducto, estos ventiladores se pueden montar sobre el techo o a una pared exterior de la casa. Puede ser más atrayente instalarlo fuera para reducir el ruido en la cocina.



## Ventilador en línea

Para minimizar el ruido en la cocina, estos ventiladores están montados a lo largo del conducto, en cualquier sitio entre el techo y la pared exterior. Si el conducto es fácil de acceder (en el ático, por ejemplo), esta opción puede ser atrayente.



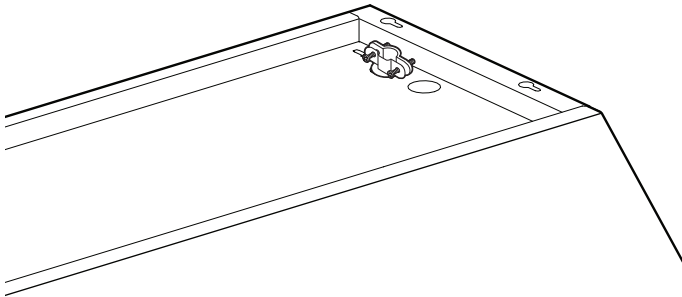
## Conexión del cable del ventilador

- Quite la tapa de la caja de conexiones, la que cubre los cables
- Quite las entradas circulares hundidas.
- Pasar el conector del motor del ventilador hacia la campana extractora. Conectar el arnés del ventilador al arnés de la campana extractora.

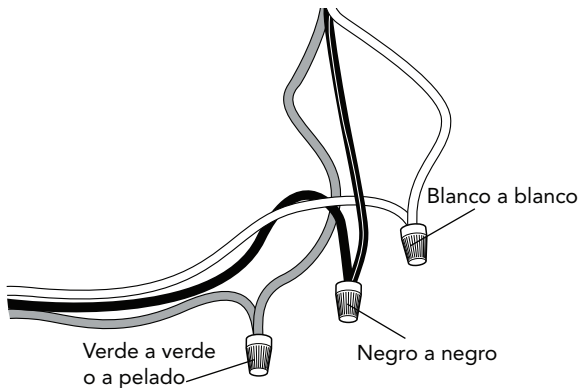
# Conexión de los cables

## Cableado

1. Pase un cable de alimentación de 120 VCA, 15A o 20A para un soplador PHxxGWS y VTR1330, del panel de servicio hasta uno de los agujeros de la placa superior.



2. Conecte el cable negro al cable negro de la alimentación eléctrica, el cable blanco al cable blanco de la alimentación eléctrica y el cable verde al cable verde o pelado.



3. Coloque todos los cables conectados dentro del pasacables de la caja de conexiones. Reinstale la placa de protección. Asegúrese de que los cables estén bien conectados y que ningún cable esté apretado.

## Cable de conexión del ventilador EXTNCB25W (opcional)

### Piezas Proporcionadas

- 1 – Cable de 25 pies
- 2 – Cables adaptadores (No es necesario para todos los modelos)

### Conexión del cable alargador del ventilador

El arnés de ventilador interno debe pasarse a través del orificio y estar fijado con un prensacables de 1 pulg. (25.4 mm). Luego se puede conectar el arnés remoto al arnés del soplador colocado en el exterior del aparato.

**NOTA:** La garantía del aparato se anula si se corta el conector.

El cable alargador del ventilador es compatible con los ventiladores en línea o a distancia siguientes:

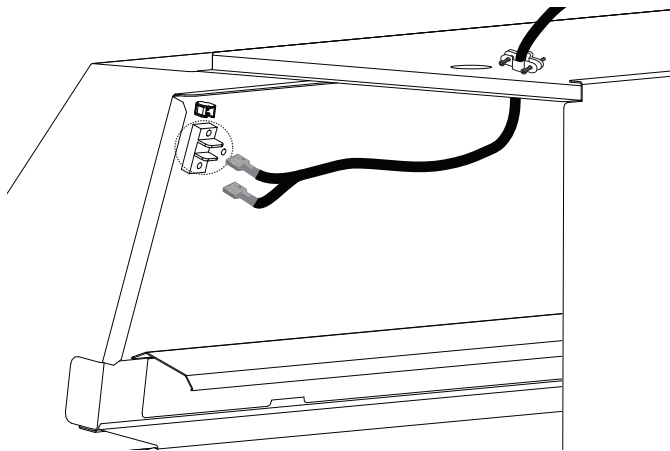
Ventilador	Número de Modelo
Ventilador a distancia	VTR630
Ventilador a distancia	VTR1030
Ventilador a distancia	VTR1330
Ventilador en línea	VTI610
Ventilador en línea	VTI1010

# Interruptor de relé de regulador de tiro de aire de compensación (opcional)

Los códigos locales pueden requerir el uso de un regulador de contracorriente adicional y/o regulador de tiro de aire de compensación. Póngase en contacto con su profesional local de HVAC para conocer los requisitos específicos.

Esta campana extractora posee un interruptor de relé para conectar un regulador de aire de compensación (máx. 120 V). Las instalaciones variarán según la ubicación en el hogar donde se instale la unidad y se use el regulador. Usar la siguiente ilustración como guía para la instalación. Cumplir siempre con los requisitos del código local.

1. Acceso al cableado de la campana extractora.
2. Pasar el arnés del regulador de aire de compensación a través de la protección contra jalones hacia el bloque de terminales.
  - Las conexiones de retorno y en caliente del kit de aire de compensación pueden usar cualquier conexión de terminal. No hay requisito de polaridad para el bloque de terminales de dos pines.



3. Asegurar el cable de tierra con el tornillo de tierra verde T-20.

# Instalación del mando a distancia a distancia (opcional)

Se aconseja instalar el cableado del mando a distancia una vez instalada la campana.

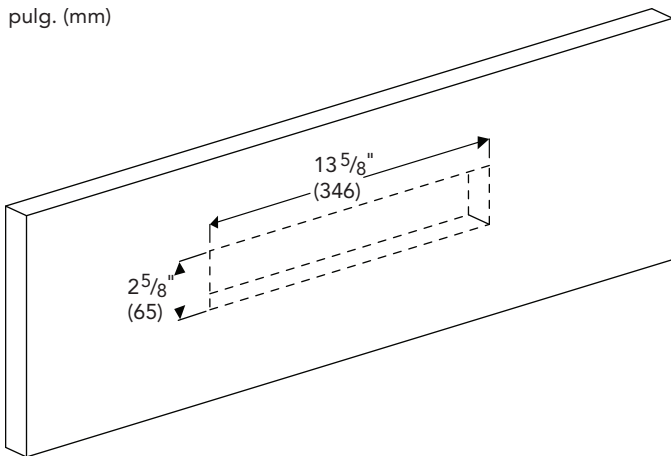
## REMCPW Piezas Incluidas

- 1 – mando a distancia
- 1 – cable de extensión de 10 m

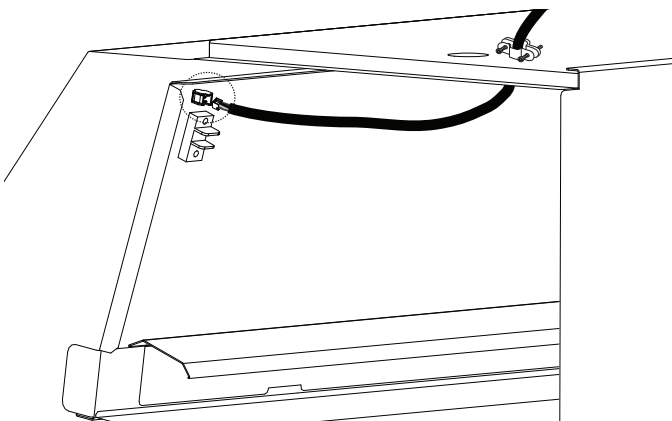
**IMPORTANTE:** Cortar un conector al aparato o al kit del cable de extensión anulará la garantía.

1. Preparación de la pared para la instalación, como se ilustra (vista frente a la pared).

pulg. (mm)

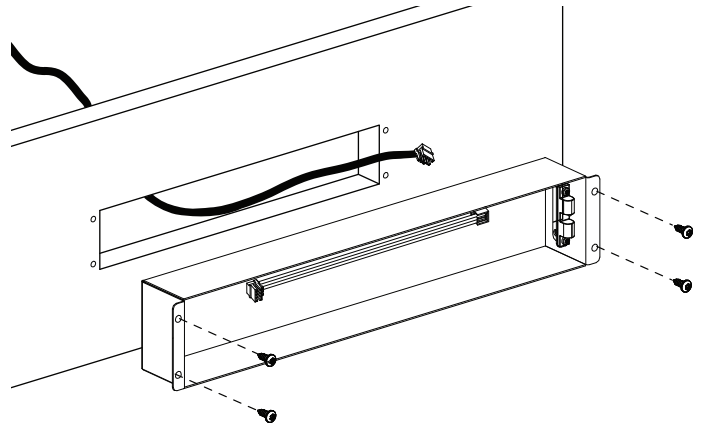


2. Acceso al cableado de la campana extractora. Pasar el arnés de extensión de 30 pies a través de la protección contra jalones al clip de montaje cuadrado, hasta que haga clic.

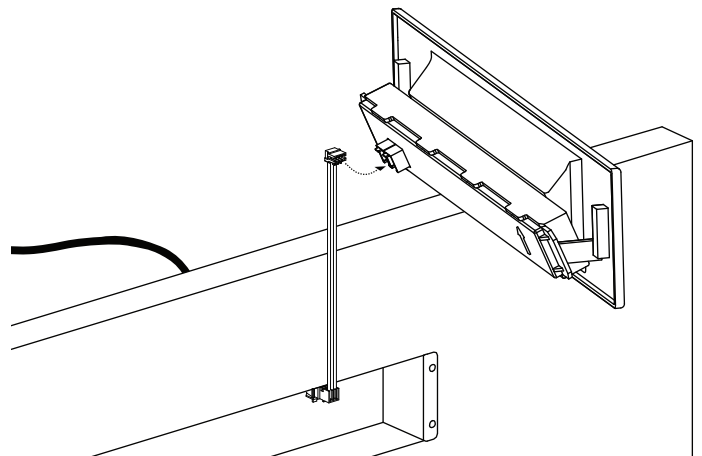


3. Pasar el arnés de extensión de 30 pies a través del agujero y conectar el arnés a la parte posterior de la placa de fijación del control remoto.

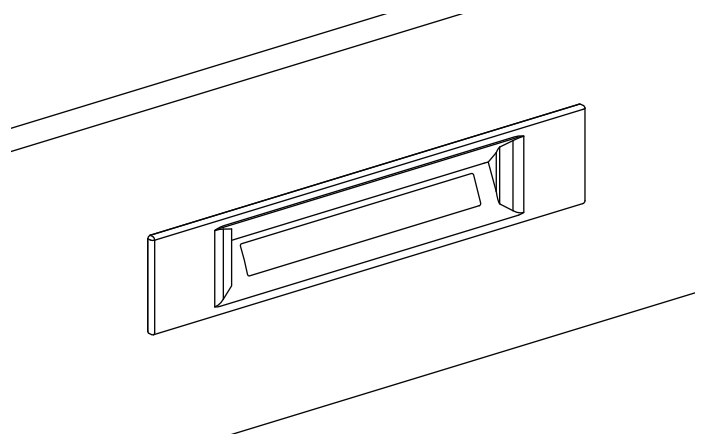
4. Presionar la placa de fijación dentro del agujero. Perforar un agujero roscado de 1/4" (6 mm) a través de los agujeros de la placa de fijación en la pared. Montar la placa de fijación a la pared, usando los cuatro (4) tornillos suministrados.



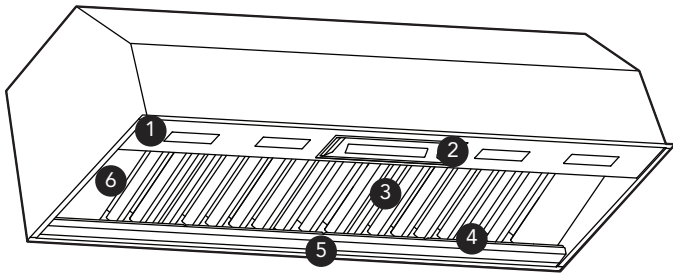
5. Conectar el conector del arnés de cables dentro de la placa de fijación al terminal en la parte posterior del control remoto. Usar cualquiera de las terminales.



6. Ajustar el control remoto en la placa de fijación hasta que haga clic.



# Instalación de las bandejas para la grasa y de los filtros

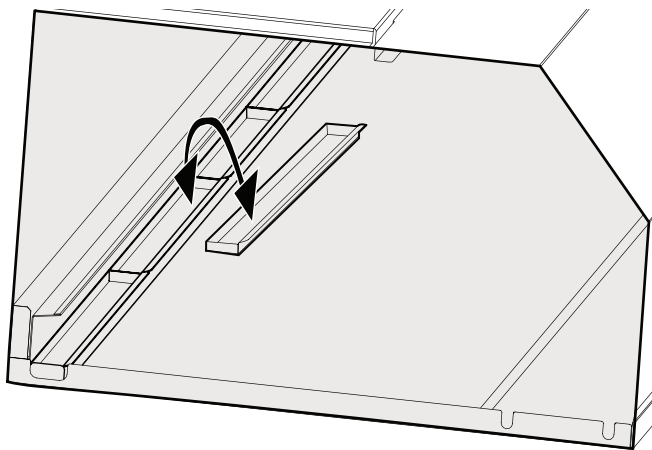


- (1) Iluminación LED
- (2) Tocar panel de control
- (3) Filtros
- (4) Bandeja de grasa
- (5) Ranura de las bandejas para la grasa
- (6) Filtro espaciadores para la grasa

## Para instalar los filtros y las bandejas para la grasa

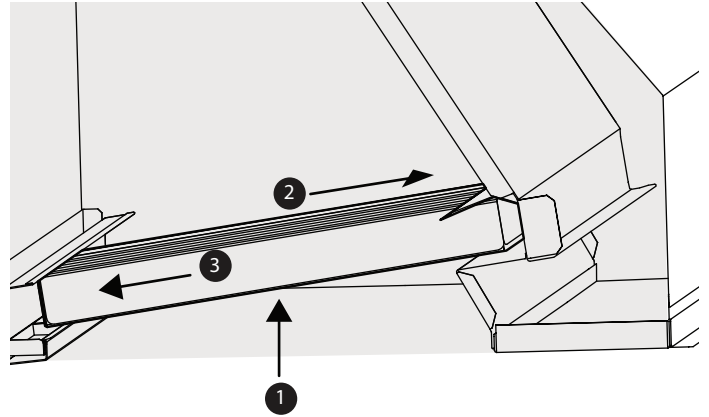
**Nota:** No utilice la superficie de la estufa cuando la campana no está montada.

1. Apagar el electrodoméstico.
2. Quite todo el plástico de las piezas de la campana.
3. Inserte las piezas en el siguiente orden:
  - Bandeja para la grasa — empuje hacia abajo y por dentro. Las bandejas para la grasa deben haber sido instaladas antes de instalar los filtros.
  - Se debe instalar la bandeja para la grasa pequeña en el centro de la campana.



- Filtros — Empiece instalando el filtro de 8 pulg. en el centro, luego añada los otros filtros hasta los bordes. Empuje hacia arriba y deslice hacia delante, luego empuje hasta el fondo.

- El filtro de 8 pulg. debe estar instalado sólidamente en el centro de la campana.



- Filtro espaciadores — Si aplica, insertar los elementos distanciadores del filtro en los extremos izquierdo y derecho. Empuje hacia arriba y deslice hacia delante, luego empuje hasta el fondo.

Siga las indicaciones de arriba a la inversa para quitar las bandejas para la grasa y los filtros.



# Servicio y lista de chequeo del instalador

## Lista de chequeo para el instalador

### Cheque final

- \_\_\_\_\_ Se respetan los espacios libres mencionados respecto a la superficie de los armarios.
- \_\_\_\_\_ El aparato está nivelado.
- \_\_\_\_\_ No queda material de embalaje en el aparato.
- \_\_\_\_\_ Toma de tierra adecuada.
- \_\_\_\_\_ El propietario sabe donde está el disyuntor.
- \_\_\_\_\_ **INSTALADOR:** Escriba el número de modelo y el número de serie de la placa de señalización en el Manual de Uso y Mantenimiento. Deje el Manual de Uso y Mantenimiento y el Manual de Instalación al propietario del aparato.

### Limpieza y protección de las superficies exteriores

- Se pueden limpiar las superficies de acero inoxidable con un trapo húmedo, jabonoso, y enjuagarlas con agua limpia antes de secar con un trapo suave. Así se evitará la formación de marcas de agua. Cualquier detergente suave para vidrio quitará huellas dactilares y manchas.
- Para decoloraciones o suciedades persistentes, consulte el manual de uso y cuidado.
- Para sacar brillo y proteger el acero inoxidable, aplique un detergente o una cera para acero inoxidable con un trapo suave. Se puede comprar en la tienda en línea el producto para acero inoxidable de Thermador ([store.thermador.com/us](http://store.thermador.com/us)). Número de artículo: 00576697.
- **NO** deje que la suciedad permanezca largos períodos de tiempo en las superficies.
- **NO** use fibra metálica normal o cepillos metálicos. Se pueden pegar trozos pequeños de metal a la superficie y oxidarla.
- **NO** permita que tengan contacto prolongado con el acero inoxidable soluciones salinas, desinfectantes, blanqueadores o compuestos de detergentes. Muchos de estos compuestos contienen químicos dañinos. Enjuague con agua después de cada exposición y seque con un trapo limpio.

## Antes de solicitar servicio

### Resolución de problemas

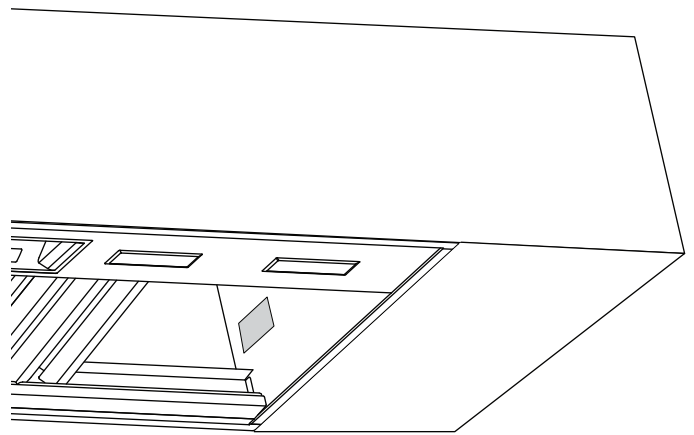
Consulte la sección de problemas y soluciones del manual de uso y mantenimiento. Vea la garantía del manual de uso y mantenimiento. Tenga a mano la información de la placa de señalización de su aparato cuando llame a atención al cliente.

Consulte la información de contacto de la contraportada del manual para ponerse en contacto con un representante de atención al cliente. Tenga a mano la información de la placa de señalización de su aparato cuando llame atención al cliente.

## Placa de señalización del producto

El número de modelo y el número de serie están escritos en la placa técnica. Refiérase a la placa técnica cuando solicite servicio.

La placa se encuentra en el armazón, detrás de los filtros. Quite el filtro para consultarla.



## Support

Thank you for being a Thermador customer!

Thermador is dedicated to supporting you and your appliance so you have many years of creative cooking. Please don't hesitate to contact us if you have any questions. We're happy to help you with cleaning and care instructions, cooking tips, accessories, troubleshooting, and more.

### USA:

1-800-735-4328

[thermador.com/customer-care](http://thermador.com/customer-care)

### Canada:

1-800-735-4328

[thermador.ca/support](http://thermador.ca/support)

## Accessories and Parts

Filters, Thermador cleaners, Teppanyaki pans, griddles, replacement parts, and more can be purchased in our online accessories store.

### USA:

[store.thermador.com/us](http://store.thermador.com/us)

### Canada:

Filters, parts and accessories can be purchased through our distributors.

Marcone: 1-800-287-1627

Reliable Parts: 1-800-663-6060

## Soutien

Merci d'être un client Thermador!

Thermador s'engage à offrir tout le support dont vous et votre appareil avez besoin afin que vous puissiez en profiter pleinement. N'hésitez pas à communiquer avec nous pour toute question. Nous serons heureux de vous aider avec des directives concernant le nettoyage et les soins, des conseils de cuisson, des accessoires, le dépannage et plus encore.

### É.-U. :

1-800-735-4328

[thermador.com/customer-care](http://thermador.com/customer-care)

### Canada :

1-800-735-4328

[thermador.ca/support](http://thermador.ca/support)

## Accessoires et Pièces

Vous trouverez dans notre magasin d'accessoires en ligne des filtres, des produits nettoyants Thermador, des poêles Teppanyaki, des plaques à frire, des pièces de rechange et plus encore.

### É.-U. :

[store.thermador.com/us](http://store.thermador.com/us)

### Canada :

Les filtres, pièces et accessoires peuvent être achetés auprès de nos distributeurs.

Marcone: 1-800-287-1627

Reliable Parts: 1-800-663-6060

## Soporte

¡Gracias por ser un cliente Thermador!

Thermador se dedica a apoyarlo a usted y a su aparato para que tenga muchos años para cocinar creativamente. No dude en contactarnos si tuviera preguntas. Nos encantará ayudarlo con las instrucciones de limpieza y cuidado, consejos para cocinar, accesorios, solución de problemas y más.

### EEUU:

1-800-735-4328

[thermador.com/customer-care](http://thermador.com/customer-care)

### Canadá:

1-800-735-4328

[thermador.ca/support](http://thermador.ca/support)

## Accesorios y Piezas

Los filtros, limpiadores Thermador, sartenes de Teppanyaki, planchas, piezas de refacción y más se pueden comprar en nuestra tienda de accesorios en línea.

### EEUU:

[store.thermador.com/us](http://store.thermador.com/us)

### Canadá:

Los filtros, piezas y accesorios se pueden comprar a través de nuestros distribuidores.

Marcone: 1-800-287-1627

Reliable Parts: 1-800-663-6060

