



Register your new Bosch now:
www.bosch-home.com/welcome










Extractor hood



BOSCH

[en] Instructions for installation
and use

Table of contents

INSTRUCTION MANUAL	2	 Cleaning and maintenance	10
 Intended use	2	 Trouble shooting	13
 Important safety information	3	 Customer service	13
 Environmental protection	4	INSTALLATION INSTRUCTIONS	14
 Operating the appliance	5	 Important safety information	14
 Connecting to a hob	7	 General information	15
 Home Connect	8	 Installation	16

INSTRUCTION MANUAL

Additional information on products, accessories, replacement parts and services can be found at www.bosch-home.com and in the online shop www.bosch-eshop.com

Intended use

Read these instructions carefully. Only then will you be able to operate your appliance safely and correctly. Retain the instruction manual and installation instructions for future use or for subsequent owners.

The appliance can only be used safely if it is correctly installed according to the safety instructions. The installer is responsible for ensuring that the appliance works perfectly at its installation location.

This appliance is intended for domestic use and the household environment only. The appliance is not intended for use outside. Do not leave the appliance unattended during operation. The manufacturer is not liable for damage which is caused by improper use or incorrect operation.

This appliance is intended for use up to a maximum height of 2000 metres above sea level.

This appliance may be used by children over the age of 8 years old and by persons with reduced physical, sensory or mental capacity or by persons with a lack of experience or knowledge if they are supervised by someone who is responsible for their safety, or have been instructed in how to use the appliance safely and have understood the risks involved in not using it properly.

Children must not play with the appliance. Cleaning and user maintenance must not be performed by children unless they are over 15 years of age and are supervised.

Keep children below the age of 8 years old at a safe distance from the appliance and power cable.

Check the appliance for damage after unpacking it. Do not connect the appliance if it has been damaged in transport.

This appliance is not intended for operation with an external clock timer or a remote control.

Important safety information

Warning

Danger of suffocation!

Packaging material is dangerous to children. Never allow children to play with packaging material.

Warning

Risk of fire!

- Fatty deposits in the grease filter may catch fire. Regularly clean the grease filter. Never operate the appliance without a grease filter.
- Grease deposits in the grease filter may catch fire. Never work with naked flames close to the appliance (e.g. flambéing). Do not install the appliance near a heat-producing appliance for solid fuel (e.g. wood or coal) unless a closed, non-removable cover is available. There must be no flying sparks.
- Hot oil and fat can ignite very quickly. Never leave hot fat or oil unattended. Never use water to put out burning oil or fat. Switch off the hotplate. Extinguish flames carefully using a lid, fire blanket or something similar.

Warning

Risk of burns!

The accessible parts become very hot when in operation. Never touch hot parts. Keep children at a safe distance.

Warning

Risk of injury!

- Components inside the appliance may have sharp edges. Wear protective gloves.
- Items placed on the appliance may fall down. Do not place any objects on the appliance.
- The light emitted by LED lights is very dazzling, and can damage the eyes (risk group 1). Do not look directly into the switched on LED lights for longer than 100 seconds.

Warning

Risk of injury!

Items placed on the appliance may overload the fasteners, potentially causing the appliance to fall off the wall. Do not place items on the appliance.

Warning

Risk of electric shock!

- A defective appliance may cause electric shock. Never switch on a defective appliance. Unplug the appliance from the mains or switch off the circuit breaker in the fuse box. Contact the after-sales service.
- Incorrect repairs are dangerous. Repairs may only be carried out and damaged power cables replaced by one of our trained after-sales technicians. If the appliance is defective, unplug the appliance from the mains or switch off the circuit breaker in the fuse box. Contact the after-sales service.
- Do not use any high-pressure cleaners or steam cleaners, which can result in an electric shock.

Causes of damage

Caution!

Risk of damage due to corrosion. Always switch on the appliance while cooking to avoid condensation. Condensate can produce corrosion damage.

Always replace faulty bulbs to prevent the remaining bulbs from overloading.

Risk of damage due to ingress of humidity into the electronic circuitry. Never clean operator controls with a wet cloth.

Surface damage due to incorrect cleaning. Clean stainless steel surfaces in the direction of the grain only. Do not use any stainless steel cleaners for operator controls.

Surface damage due to strong or abrasive cleaning agents. Never use strong and abrasive cleaning agents.

Risk of damage as a result of incorrect loading of design elements. Do not pull design elements. Do not place objects on the design elements or hang objects from them.

Environmental protection

Your new appliance is particularly energy-efficient. Here you can find tips on how to save even more energy when using the appliance, and how to dispose of your appliance properly.

Saving energy

- During cooking, ensure that there is a sufficient supply of air so that the extractor hood can work efficiently and with a low level of operating noise.
- Adjust the fan speed to the intensity of the cooking fumes. Only use intensive mode where this is required. A lower fan speed means that less energy is consumed.
- If there are intensive cooking fumes, select a higher fan speed in good time. If cooking fumes have already spread in the kitchen, the extractor hood must be operated for longer.
- Switch off the extractor hood if you no longer require it.
- Switch off the lighting if you no longer require it.
- Clean and, if required, replace the filter at regular intervals in order to increase the effectiveness of the ventilation system and to prevent the risk of fire.

Environmentally-friendly disposal

Dispose of packaging in an environmentally-friendly manner.



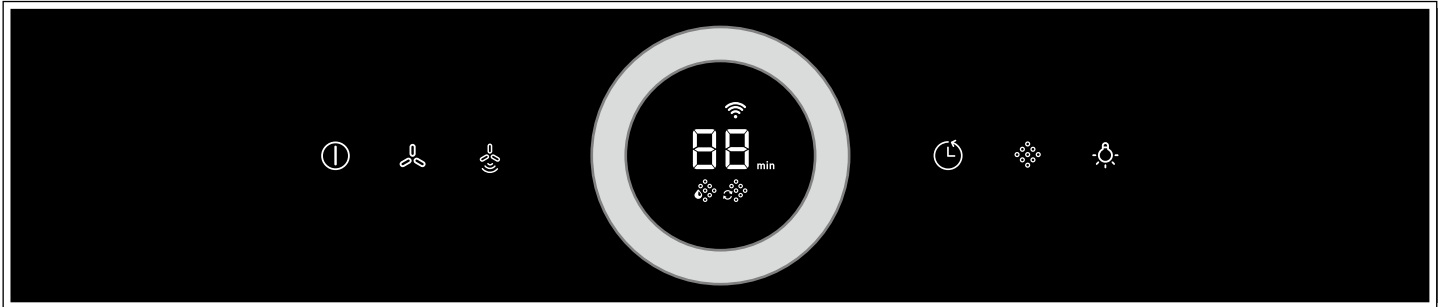
This appliance is labelled in accordance with European Directive 2012/19/EU concerning used electrical and electronic appliances (waste electrical and electronic equipment - WEEE). The guideline determines the framework for the return and recycling of used appliances as applicable throughout the EU.

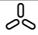




Operating the appliance




These instructions apply to several appliance variants. It is possible that individual features are described which do not apply to your appliance.

Note: . Switch on the extractor hood when you start cooking and switch it off again several minutes after you have finished cooking. This is the most effective way of removing the kitchen fumes.

Control panel



Symbol	Explanation
ⓘ	Fan on/off
	Fan settings
	Automatic mode
	Fan run-on
	Metal grease filter/activated charcoal filter saturation indicator
	Light on/off/dimming

Indicator	Explanation
	Home Connect
1-3	Fan settings
P 1, P 2	Intensive mode
min	Fan run-on in minutes
	Metal grease filter saturation indicator
	Activated charcoal filter saturation indicator

Setting the fan

Switching on

1. Touch the ⓘ symbol.
The fan starts at fan setting 2.
2. Use the rotary selector to select the fan setting.
Note: Turn the rotary selector clockwise to set a higher fan setting, and turn it anti-clockwise to set a lower fan setting. The selected fan setting is shown in the display.

Switching off

Touch the ⓘ symbol.

Intensive setting

You can use the intensive setting if there is a large build-up of odours and fumes/vapours.

Switching on

Turn the rotary selector until *P 1* or *P 2* is displayed.

Note: After approx. 6 minutes, the extractor hood automatically switches back to fan setting 3.

Switching off

If you want to end the intensive mode before the set time has elapsed, turn the rotary selector anti-clockwise.

Automatic mode

Switching on

Touch the  symbol.

The optimum fan setting (*A 1-AS*) is set automatically using the PerfectAir sensor.

Switching off

Touch the  symbol to switch off automatic mode.

The fan will switch itself off automatically if the PerfectAir sensor detects no further change in the air quality in the room. The appliance will switch back to the fan setting that was last selected.

Automatic mode can run for a maximum of 4 hours.


Sensor control

In automatic mode, the PerfectAir sensor in the extractor hood detects the intensity of the cooking and roasting odours. Depending on the setting of the PerfectAir sensor, the fan automatically switches itself to another fan setting.



Possible sensor settings:

Default sensitivity setting: 

Lowest sensitivity setting: 

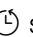
Highest sensitivity setting: 

If the sensor controller responds too strongly or not enough, it can be changed accordingly:

1. Touch and hold the  symbol when the fan is switched off. The setting will be displayed.
2. Use the control ring to select the setting you require.
3. Take your finger off the  symbol.

Fan run-on time

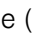

Switching on

Touch the  symbol.

The fan runs at fan setting 1.

The remaining minutes of the run-on time are shown in the display.

After approx. 10 minutes, the fan switches off automatically.

Note: You can use the rotary selector to adjust the run-on time ( to  minutes).

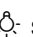
Switching off

Touch the  symbol.

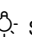
This immediately stops the fan run-on. The appliance switches to the fan setting that was previously set.

Lighting

The lighting can be switched on and off independently of the fan.

Touch the  symbol.

Setting the brightness


Press and hold the  symbol until the required brightness is reached.

Saturation display

If the metal grease filters or activated charcoal filter are/is saturated, the corresponding symbols will flash once the appliance has been switched off:


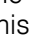

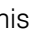

- **Metal grease filters:** 
- **Activated charcoal filter:** 
- **Metal grease filters and activated charcoal filter:**  and 

If you have not yet done so, the metal grease filters should now be cleaned or the activated charcoal filter replaced. → "Cleaning and maintenance" on page 10

The saturation indicators can be reset while they are flashing. To do this, touch the  symbol.




Switching over the display for the air circulation mode

For air recirculation mode, the electronic controller must be switched over accordingly:


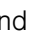

- The extractor hood must be connected and switched off.
- Touch and hold the  symbol. Use the rotary selector to change the display to 2. Take your finger off the  symbol. This switches the electronic controller over to air recirculation mode (filters that cannot be regenerated).
- Touch and hold the  symbol. Use the rotary selector to change the display to 3. Take your finger off the  symbol. This switches the electronic controller over to air recirculation mode (filters that can be regenerated).
- Repeatedly touching and holding the  symbol and changing the display to "1" switches the electronic controller back to air extraction mode.

Audible signal

Switching on

Touch and hold the  and  symbols at the same time for approximately three seconds when the fan is switched off. As confirmation, an audible signal sounds and  is shown in the display.

Switching off

Touch and hold the  and  symbols at the same time for approximately three seconds when the fan is switched off. As confirmation,  is shown in the display.

Connecting to a hob

You can connect this appliance to a hob (if the hob supports connection to the appliance) and then control the functions of the hob via your hob.

Appliances can be connected to each other in different ways:

Home Connect

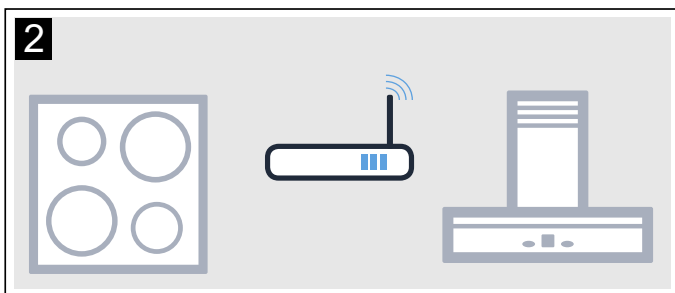
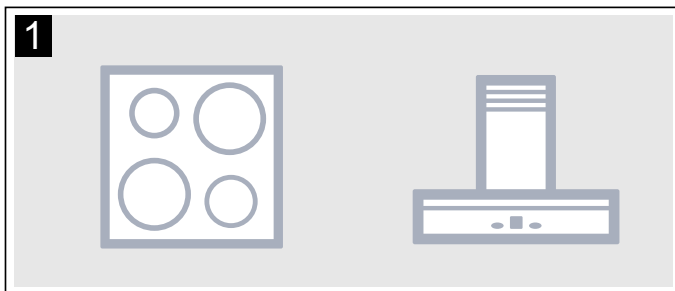
Two appliances can be connected using the Home Connect app provided that both of them are Home Connect compatible.

Refer to the Home Connect documents supplied for more information.



Connecting appliances directly

If the appliance is connected directly to a hob, it cannot be connected to your home network as well. The appliance will function as an extractor hood that is not connected to the network and you can continue to operate it via the control panel.



Connecting appliances via your home network

If the appliances are connected to each other via your home network, both the hob controls on the hob and Home Connect can be used to operate the appliance.

Notes

- Make sure you follow the safety instructions in the instruction manual for your extractor hood and that these are complied with even when operating the appliance via the hob controls on the hob.
- If the extractor hood is being operated by means of the controls on the hood itself, this mode of operation always has priority. It is not possible to use the hob controls on the hob during this time.

Setting up a connection

The hood must be switched off before you can connect the hob and extractor hood.




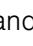
Connecting directly


Ensure that the hob is switched on and is in search mode.

To do this, refer to the section entitled "Connecting to the extractor hood" in the instruction manual for your hob.

Notes

- If your extractor hood is connected directly to the hob, it cannot be connected to your home network as well and you will not be able to use Home Connect.
- The hob must not be connected to your home network. To break a connection, follow the instructions in the section entitled "Resetting Home Connect".

Press and hold the  and  symbols until the  and  indicators start flashing.

The extractor hood has been connected to the hob when the  stops flashing and remains continuously lit.

Connecting via your home network

Follow the instructions in the section entitled "Automatic login to your home network" or "Manually logging into your home network" → "Home Connect" on page 8

Once the extractor hood is connected to your home network, you can connect to the hob via the Home Connect app. To do this, follow the instructions on your mobile device.

Home Connect

This appliance is Wi-Fi-capable and can be controlled using a mobile device.

If the appliance is not connected to your home network, it will function as an extractor hood with no network connection and can still be operated via the display.

The availability of the Home Connect function depends on the availability of Home Connect services in your country. Home Connect services are not available in every country. You can find more information on this at www.home-connect.com.

Notes

- Ensure that you follow the safety instructions in this instruction manual and that you comply with these even when you are away from home and are operating the appliance via the Home Connect app. You must also follow the instructions in the Home Connect app.
- If the appliance is being operated by means of the controls on the appliance itself, this mode of operation always has priority. During this time, it is not possible to operate the appliance using the Home Connect app.

Setting up

To implement settings via Home Connect, you must have installed and set up the Home Connect app on your mobile device.

Refer to the Home Connect documents supplied for more information.


Follow the steps specified by the app to implement the settings.






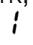
The app must be open in order to perform the set-up process.



Note: In the networked standby mode, your appliance requires a maximum of 2 W.

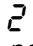


Automatic registration in the home network

Notes


- You require a router that has WPS functionality.
- You require access to your router. If you do not have this, follow the steps for "Manually logging into your home network".
- The extractor hood cannot be switched on during the connection process. You can cancel the process at any time by pressing the  symbol.
- To connect the extractor hood to your home network, the hood and the light must be switched off.

1. Press and hold the  and  symbols until the  and  indicators start flashing.
2. To start the automatic login to the home network, turn the rotary selector clockwise until  and  flash.

3. Press the WPS button on the router within the next two minutes.
If the connection has been successfully established, it automatically connects to the Home Connect app.  and  flash.

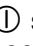
Note: If no connection can be established, the hood automatically allows you to manually connect to your home network.  and  flash. Log the appliance into your home network manually or turn the rotary selector clockwise until  appears in order to restart the automatic login.






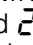
4. On your mobile device, follow the instructions for automatic network login.

The login process is complete when the  indicator stops flashing on the control panel and instead lights up continuously.



Manual registration in the home network

Notes


- The extractor hood cannot be switched on during the connection process. You can cancel the process at any time by pressing the  symbol.
- To connect the extractor hood to your home network, the hood and the light must be switched off.

1. Press and hold the  and  symbols until the  and  indicators start flashing.
2. To start the manual login to the home network, turn the rotary selector clockwise until  and  flash.
3. Use the "Home Connect" SSID and the "Home Connect" key to log the mobile device into the extractor hood network.



If the connection has been successfully established, it automatically connects to the Home Connect app.  and  flash.

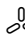


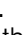
4. On your mobile device, follow the instructions for manually logging into your network.


The login process is complete when the  indicator stops flashing on the control panel and instead lights up continuously.

Connecting to the app

If the Home Connect app is installed on your mobile device, you can connect it to your extractor hood.

Notes

- The appliance must be connected to the network.
 - The app must be open.
1. Press and hold the  and  symbols until the  and  indicators start flashing.
 2. On your mobile device, follow the instructions in the Home Connect app.

The connection process is complete when the  indicator stops flashing on the control panel and instead lights up continuously.

Software update

Using the software update function, your extractor hood's software can be updated (e.g. for the purpose of optimisation, troubleshooting or security updates). To do this, you need to be a registered Home Connect user, have installed the app on your mobile device and be connected to the Home Connect server.

As soon as a software update is available, you will be informed through the Home Connect app and will be able to start the software update via the app.

Once the update has been successfully downloaded, you can start installing it via the Home Connect app if you are on your local area network.



The Home Connect app will inform you once installation is complete.

Notes

- You can continue to use your extractor hood as normal while updates are downloading.
- Depending on your personal settings in the app, software updates can also be set to download automatically.
- We recommend that you install security updates as soon as possible.

Resetting the connection

You can reset the connections you have saved on your home network and on Home Connect at any time.

Press and hold the  and  symbols until an audible signal sounds.

About data protection

When your appliance is connected for the first time to a WLAN network, which is connected to the Internet, your appliance transmits the following categories of data to the Home Connect server (initial registration):

- Unique appliance identification (consisting of appliance codes as well as the MAC address of the installed WiFi communication module).
- Security certificate of the WiFi communication module (to ensure a secure IT connection).
- The current software and hardware version of your domestic appliance.
- Status of any previous resetting to factory settings.

This initial registration prepares the Home Connect functions for use and is only required when you want to use these Home Connect functions for the first time.

Note: Ensure that the Home Connect functions can be used only in conjunction with the Home Connect app. Information on data protection can be accessed in the Home Connect app.

Declaration of Conformity

Robert Bosch Hausgeräte GmbH hereby declares that the appliance which features Home Connect is in accordance with the basic requirements and the other relevant provisions of the directive 1999/5/EC.

A detailed R&TTE Declaration of Conformity can be found online at www.bosch-home.com/de on the product page for appliance in the additional documents.



Cleaning and maintenance

⚠ Warning

Risk of injury!

Items placed on the appliance may overload the fasteners, potentially causing the appliance to fall off the wall. Do not place items on the appliance.

⚠ Warning

Risk of electric shock!

Penetrating moisture may result in an electric shock. Clean the appliance using a damp cloth only. Before cleaning, pull out the mains plug or switch off the circuit breaker in the fuse box.

⚠ Warning

Risk of electric shock!

Do not use any high-pressure cleaners or steam cleaners, which can result in an electric shock.

⚠ Warning

Risk of injury!

Components inside the appliance may have sharp edges. Wear protective gloves.

⚠ Warning

Risk of injury!

If appliances supported by cables are permitted to swing to and fro, this may overload the fasteners, potentially causing the appliance to fall off the wall. Do not do anything that makes the appliance swing to and fro.

Cleaning agents

To ensure that the different surfaces are not damaged by using the wrong cleaning product, follow the instructions in the table. Do not use any of the following:

- Harsh or abrasive cleaning agents, e.g. scouring powder or liquid scouring cleaner,
- Cleaning products with a high alcohol content,
- Hard scouring pads or cleaning sponges,
- Pressure washers or steam cleaners,
- Cleaning products that dissolve limescale,
- Aggressive all-purpose cleaning products,
- Oven spray.

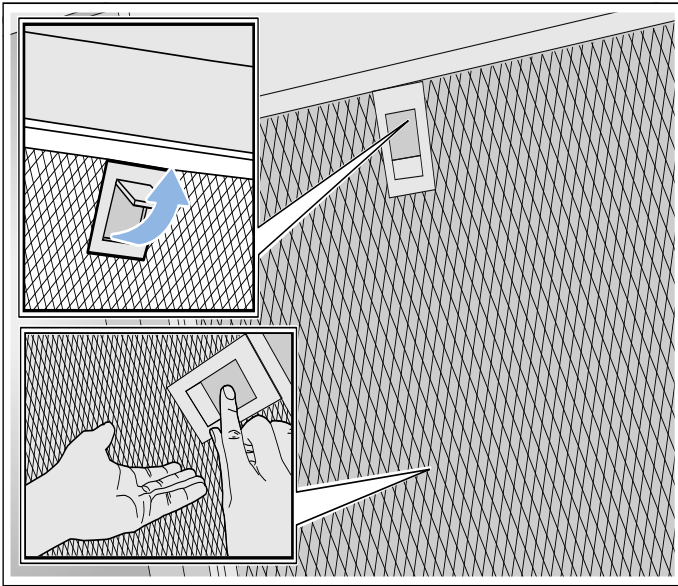
Note: Wash new sponge cloths thoroughly before use.

Note: Follow all instructions and warnings included with the cleaning products.

Area	Cleaning products
Stainless steel	Hot soapy water: Clean with a dish cloth and then dry with a soft cloth. Clean stainless steel surfaces in the direction of the grain only. Special stainless steel cleaning products are available from our after-sales service or from specialist retailers. Apply a very thin layer of the cleaning product with a soft cloth.
Painted surfaces	Hot soapy water: Clean using a damp dish cloth and then dry with a soft cloth. Do not use stainless steel cleaner.
Aluminium and plastic	Glass cleaner: Clean with a soft cloth.
Glass	Glass cleaner: Clean with a soft cloth. Do not use a glass scraper.
Controls	Hot soapy water: Clean using a damp dish cloth and then dry with a soft cloth. Risk of electric shock caused by penetrating moisture. Risk of damage to the electronics caused by penetrating moisture. Never clean controls with a wet cloth. Do not use stainless steel cleaner.

Removing metal grease filter

1. Open the lock and swing down the metal grease filter. When you do this, take hold of the metal grease filter from underneath with your other hand.
2. Take the metal grease filter out of the holder.



Notes

- Fat may accumulate in the bottom of the metal grease filter.
 - Hold the metal grease filter level to prevent fat from dripping out.
3. Clean the metal grease filter.
 4. Clean the appliance support cables.
 5. Clean the accessible parts of the housing. Clean the inside of the appliance.

Warning

Risk of injury!

Components inside the appliance may have sharp edges. Wear protective gloves.

Cleaning the metal mesh grease filters

These instructions apply to several appliance variants. It is possible that individual features are described which do not apply to your appliance.

Warning

Risk of fire!

Fatty deposits in the grease filter may catch fire. Regularly clean the grease filter. Never operate the appliance without a grease filter.

Notes

- Do not use aggressive, acidic or alkaline cleaning products.
- We recommend cleaning the grease filters every 2 months.
- When cleaning the metal grease filters, also clean the metal grease filter holder in the appliance using a damp cloth.
- The metal grease filters can be cleaned in the dishwasher or by hand.

By hand:

Note: You can use a special degreaser to remove stubborn dirt. This can be ordered from the online shop.

- Soak the metal grease filters in hot soapy water.
- Clean the filters with a brush and then rinse them thoroughly.
- Leave the metal grease filters to drain on an absorbent material.

In the dishwasher:

Note: Slight discolouration may occur if the metal grease filters are cleaned in the dishwasher. This discolouration has no effect on the performance of the metal grease filters.

- Use normal domestic dishwashing detergents.
- Do not clean heavily soiled metal grease filters together with cookware.
- Place the metal grease filters in the dishwasher, leaving plenty of space around them. Do not trap the metal grease filters.
- Select a temperature of no more than 50 °C.

Installing the metal mesh grease filter

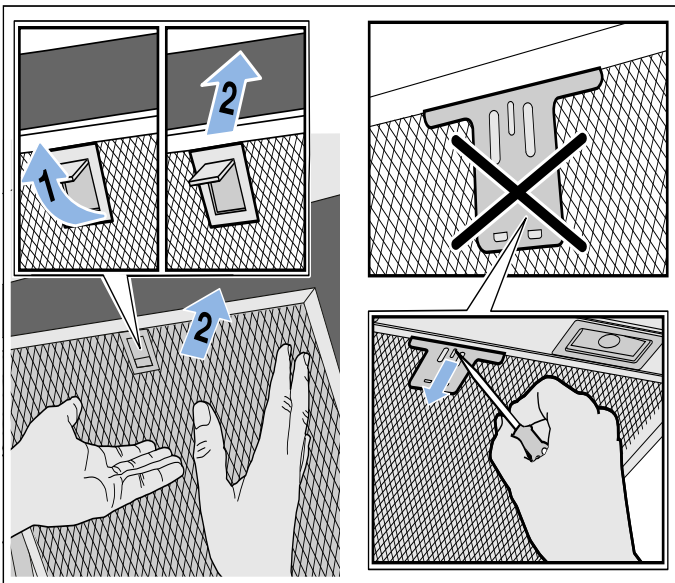
Warning

Risk of injury!

Components inside the appliance may have sharp edges. Wear protective gloves.

Notes

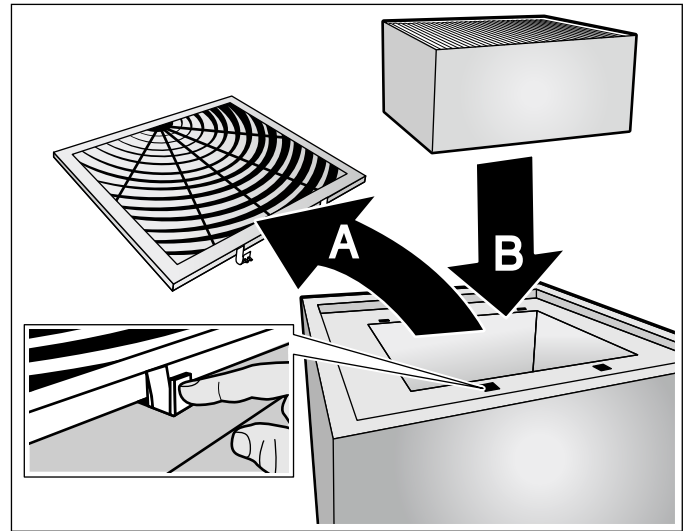
- Clean all accessible parts of the housing.
 - Clean the appliance support cables with care.
1. Insert the metal grease filter. When you do this, take hold of the metal grease filter from underneath with your other hand.
- Note:** Make sure that the metal grease filter is positioned correctly.
2. Swing the metal grease filter up and click it into place.
 3. If the metal grease filter has not been inserted correctly, open the lock and reinsert the metal grease filter correctly.



Replacing the activated charcoal filter

Note: To bind odours in circulating-air mode, you must install an activated carbon filter. The different options for operating the appliance in circulating-air mode can be found in the brochure. Alternatively, ask your dealer. The required accessories are available from specialist retailers, from customer service or from the Online Shop.

1. Open the cover on the top of the appliance.
2. Remove the old activated charcoal filter and insert the new one.



3. Close the cover.
4. Reset the saturation indicator. → "Saturation display" on page 6

Trouble shooting

Malfunctions often have simple explanations. Please read the following notes before calling the after-sales service.

Warning

Risk of electric shock!

Incorrect repairs are dangerous. Repairs may only be carried out and damaged power cables replaced by one of our trained after-sales technicians. If the appliance is defective, unplug the appliance from the mains or switch off the circuit breaker in the fuse box. Contact the after-sales service.

Malfunction table

Problem	Possible cause	Solution
The appliance does not work	The plug is not plugged in.	Connect the appliance to the electricity supply
	Power cut	Check whether other kitchen appliances are working
	Faulty fuse	Check in the fuse box to make sure that the fuse for the appliance is OK
The lighting does not work.	The LED lights are defective.	Call the after-sales service.
The button illumination does not work.	The control unit is faulty.	Call the after-sales service.

LED lights

Defective LED lights may be replaced by the manufacturer, their customer service or a qualified technician (electrician) only.

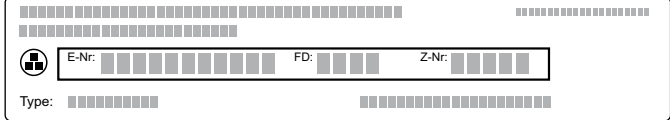
Warning

Risk of injury!

The light emitted by LED lights is very dazzling, and can damage the eyes (risk group 1). Do not look directly into the switched on LED lights for longer than 100 seconds.


Customer service

When calling us, please quote the product number (E no.) and the production number (FD no.) so that we can provide you with the correct advice. These numbers can be found on the rating plate on the top of the appliance (to access it, you will need to remove the activated charcoal filter).



The diagram shows a rectangular rating plate with a circular logo on the left. To the right of the logo are four fields: 'E-Nr.' followed by a row of 12 small squares, 'FD' followed by a row of 4 small squares, 'Z-Nr.' followed by a row of 4 small squares, and 'Type:' followed by a row of 12 small squares.

You can make a note of the numbers of your appliance and the telephone number of the after-sales service in the space below to save time should it be required.

E no.	FD no.
After-sales service 	

Please be aware that a visit by an after-sales engineer will be charged if a problem turns out to be the result of operator error, even during the warranty period.

Please find the contact data of all countries in the enclosed customer service list.

To book an engineer visit and product advice

GB 0344 892 8979
Calls charged at local or mobile rate.

IE 01450 2655
0.03 € per minute at peak. Off peak 0.0088 € per minute.

Rely on the professionalism of the manufacturer. You can therefore be sure that the repair is carried out by trained service technicians who carry original spare parts for your appliances.

Accessories

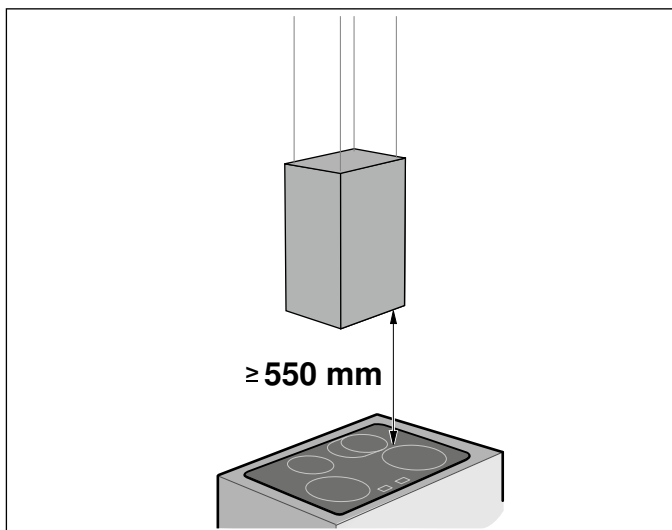
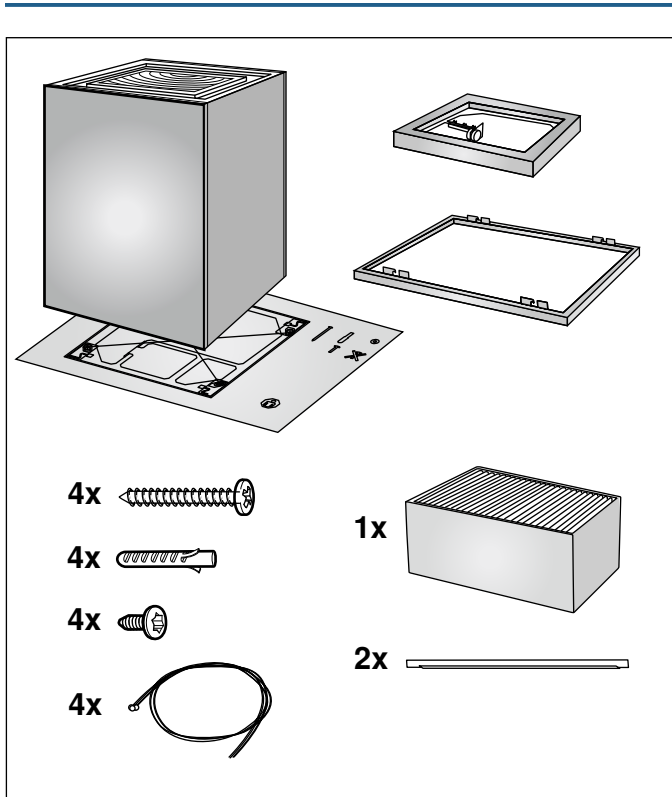
(not included in the scope of delivery)

Note: These instructions apply to several appliance models. It may be the case that an optional accessory that is listed does not apply for your appliance.

Note: Observe the installation instructions in the accessory.

Easy-change filter for CleanAir air recirculation module (cannot be regenerated)	DSZ5201
Easy-change filter for CleanAir air recirculation module (can be regenerated)	DZZ0XX0PO

INSTALLATION INSTRUCTIONS



- This appliance is fitted to the kitchen ceiling or a sturdy suspended ceiling.
- The surfaces of the appliance are sensitive. Avoid damaging them during installation.

Important safety information

Read these instructions carefully. Only then will you be able to operate your appliance safely and correctly. Retain the instruction manual and installation instructions for future use or for subsequent owners.

Check the appliance for damage after unpacking it. Do not connect the appliance if it has been damaged in transport.

The appliance can only be used safely if it is correctly installed according to the safety instructions. The installer is responsible for ensuring that the appliance works perfectly at its installation location.

Only a licensed professional may connect appliances without plugs. Damage caused by incorrect connection is not covered under warranty.

Caution! Damage to the appliance

The surfaces of the appliance are sensitive. Avoid damaging them during installation.

For the installation, observe the currently valid building regulations and the regulations of the local electricity and gas suppliers.

Warning Risk of fire!

Fatty deposits in the grease filter may catch fire. The specified safety clearances must be complied with in order to prevent a build-up of heat. Refer to the information provided for your cooker. If gas and electric hobs are being operated together, the largest specified clearance applies.

Warning Risk of fire!

Grease deposits in the grease filter may catch fire. Never work with naked flames close to the appliance (e.g. flambéing). Do not install the appliance near a heat-producing appliance for solid fuel (e.g. wood or coal) unless a closed, non-removable cover is available. There must be no flying sparks.

⚠ Warning**Risk of injury!**

- Components inside the appliance may have sharp edges. Wear protective gloves.
- The appliance may fall down if it has not been properly fastened in place. All fastening components must be fixed firmly and securely.
- The appliance is heavy. To move the appliance, 2 people are required. Use only suitable tools and equipment.
- Changes to the electrical or mechanical assembly are dangerous and may lead to malfunctions. Do not make any changes to the electrical or mechanical assembly.
- Risk of falling when working on the appliance. Use a stable stepladder.

⚠ Warning**Risk of electric shock!**

Components inside the appliance may have sharp edges. These may damage the connecting cable. Do not kink or pinch the connecting cable during installation.

⚠ Warning**Risk of electric shock!**

It must always be possible to disconnect the appliance from the power supply. If there is a fixed connection, an all-pole isolating switch with a contact gap of at least 3 mm must be provided for the wiring. Only an electrician may install the fixed connection. We recommend installing a residual-current circuit breaker (RCCB) in the appliance's power supply circuit.

⚠ Warning**Risk of electric shock!**

Incorrect repairs are dangerous. Repairs may only be carried out and damaged power cables replaced by one of our trained after-sales technicians. If the appliance is defective, unplug the appliance from the mains or switch off the circuit breaker in the fuse box. Contact the after-sales service.

⚠ Warning**Danger of suffocation!**

Packaging material is dangerous to children. Never allow children to play with packaging material.



General information

Preparing the ceiling

- The ceiling must be flat, horizontal and have adequate load-bearing capacity.
- The depth of the bore holes must be the same length as the screws. The wall plugs must have a secure grip.
- The enclosed screws and wall plugs are suitable for solid brickwork. Suitable fasteners must be used for other structures (e.g. plasterboard, porous concrete, perforated bricks).
- The maximum weight of the extractor hood is **26 kg**.

Electrical connection

⚠ Warning**Risk of electric shock!**

It must always be possible to disconnect the appliance from the power supply. If there is a fixed connection, an all-pole isolating switch with a contact gap of at least 3 mm must be provided for the wiring. Only an electrician may install the fixed connection. We recommend installing a residual-current circuit breaker (RCCB) in the appliance's power supply circuit.

⚠ Warning**Risk of electric shock!**

Components inside the appliance may have sharp edges. These may damage the connecting cable. Do not kink or pinch the connecting cable during installation.

The required connection information can be found on the rating plate inside the appliance; to access it, you will need to remove the activated charcoal filter.

Length of the cable: approx. 1.30 m

This appliance complies with the EC interference suppression regulations.

The appliance must be disconnected from the power supply whenever installation work is being carried out.

When the appliance is installed, protection must be provided against accidental contact in the future.

Installation

Preparing for installation

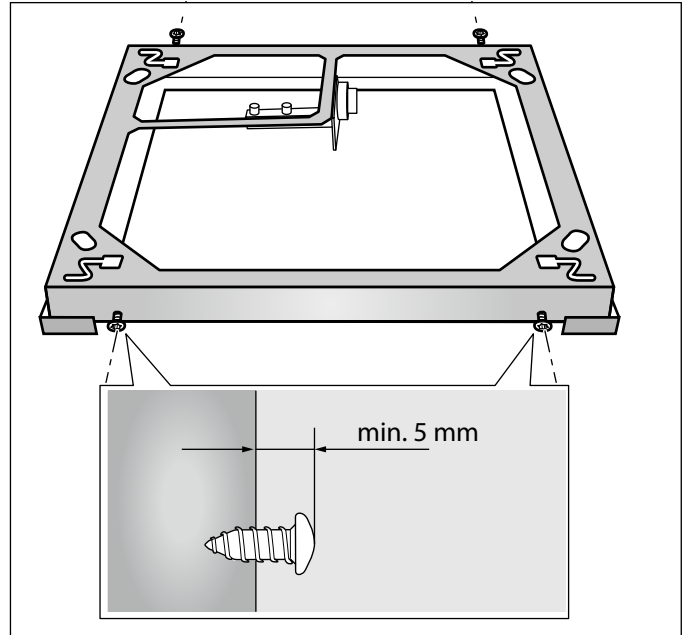
Caution!

Ensure that there are no electrical wires, gas pipes or water pipes in the area where holes are to be drilled.

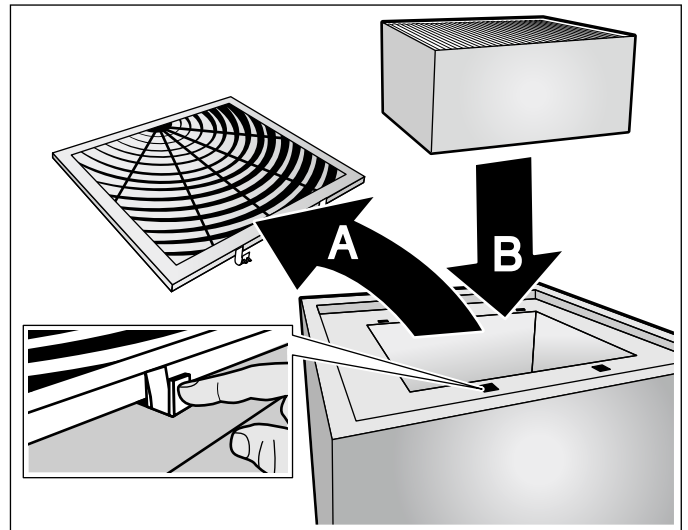
1. Cover the hob to protect it from damage.
2. Mark where the centre of the extractor hood should be on the ceiling above the centre of the hob.
3. Using the template provided, mark the locations where the bolts should be inserted on the ceiling.
4. Drill four 8 mm diameter holes to a depth of 80 mm for fastening the appliance and press in the wall plugs flush with the wall.

Preparing the appliance

1. Screw in the four bolts on the edge of the frame at the marked locations, leaving them protruding out of the frame by approx. 5 mm.



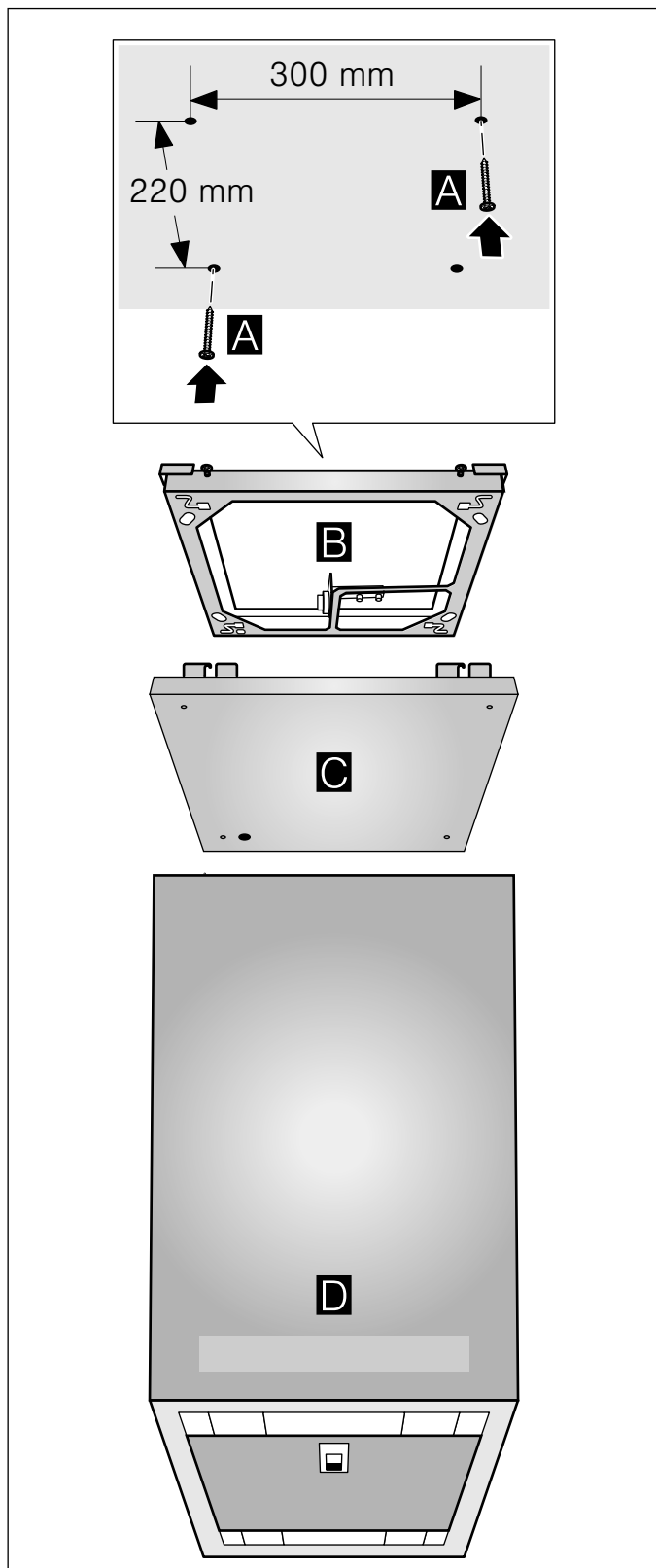
2. Remove the film from the frame cover.
3. Remove the activated charcoal filter from the film.
4. Open the cover on the top of the appliance and remove it **A**, insert the activated charcoal filter **B** and then close the cover.



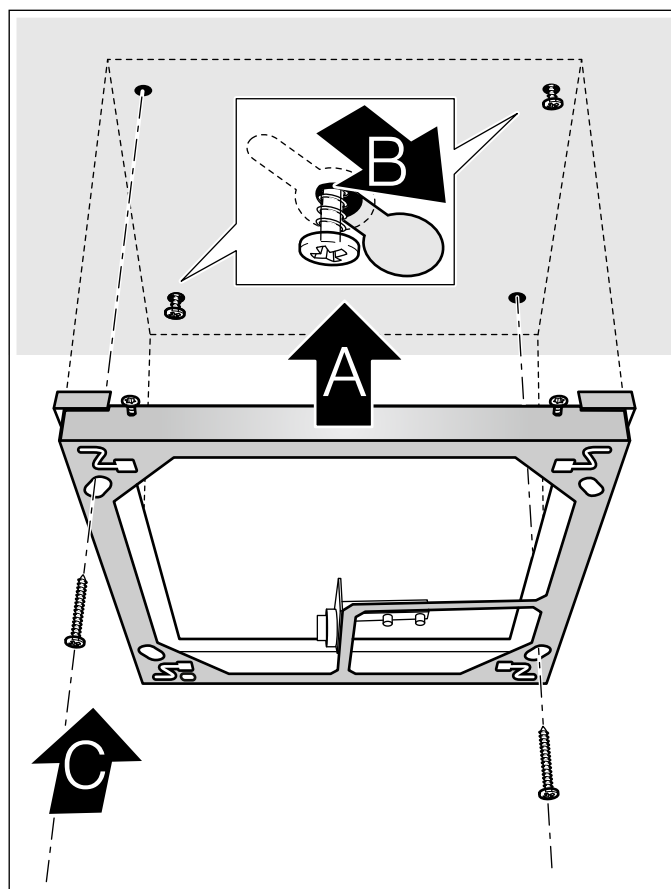
Fitting the frame

1. Screw in the two bolts, leaving them protruding out of the ceiling by 5 - 9 mm **A**.

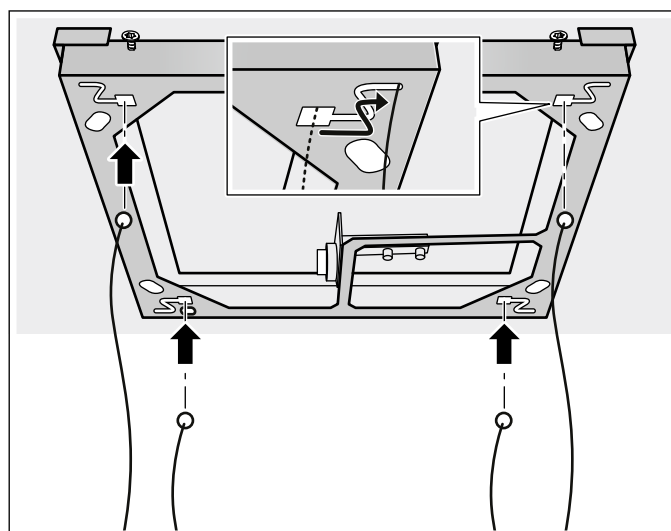
Note: Make sure that the bolts **A**, frame **B**, frame cover **C** and control **D** are positioned correctly relative to one another. The position of the control is marked on the template.



2. Insert the two bolts on the ceiling through the openings provided in the frame **A**. Move the frame to allow the bolts to be screwed into the keyhole openings **B**.



3. Use two more bolts to screw the frame in place. **C** Tighten all the bolts fully.
4. Insert the four cables into the openings provided in the frame and thread them through the labyrinth.



Establishing a connection to the mains

⚠ Warning

Risk of electric shock!

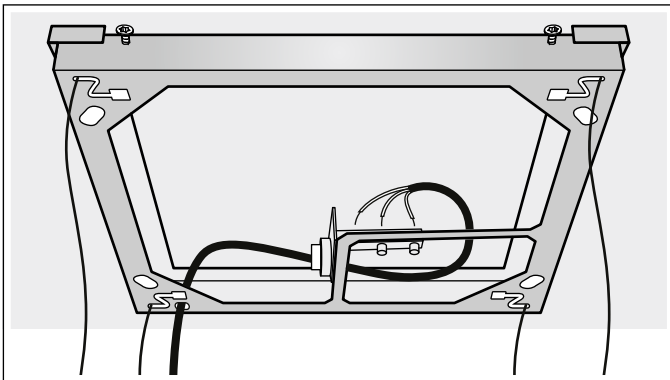
It must always be possible to disconnect the appliance from the power supply. If there is a fixed connection, an all-pole isolating switch with a contact gap of at least 3 mm must be provided for the wiring. Only an electrician may install the fixed connection. We recommend installing a residual-current circuit breaker (RCCB) in the appliance's power supply circuit.

Note: To find out the correct fuse rating, see the total connected load (in watts) on the appliance's rating plate.

1. Position the appliance underneath the frame.
2. Carefully thread the cables and the mains power cable through the opening in the frame cover. Place the frame cover down onto the appliance.
3. Mount the appliance on the wall and level it; see the section entitled "Wall-mounting the appliance and levelling it".
4. Thread the mains power cable through the opening in the frame and then through the strain relief.

Caution!

Do not position the mains power cable that is inside the frame underneath the frame.



5. Connect the appliance to the power supply.

Caution!

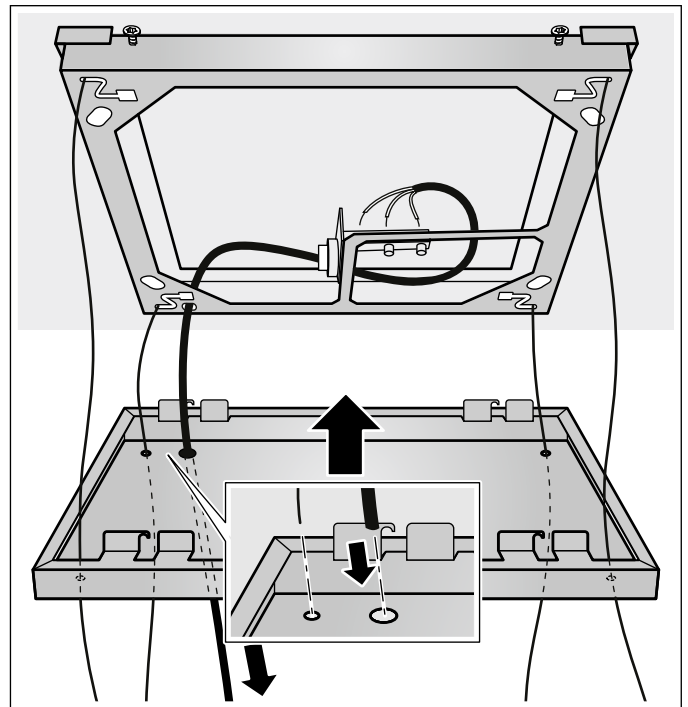
Pay attention to the marks on the connection terminals when connecting the wires (permissible cross-section of the domestic wiring: 1□ - 2.5□) in the mains power cable.

6. Use an open-ended spanner (WAF 17) to tighten the strain relief until the mains power cable is held firmly and cannot move.

Fitting the frame cover

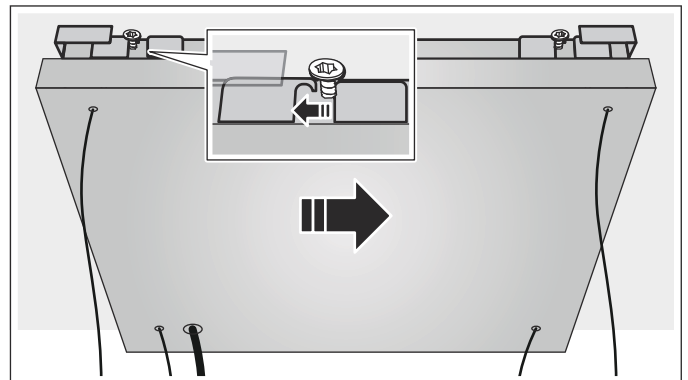
1. Slide the frame cover up.

Note: Thread the mains power cable through the opening in the frame cover and, if necessary, carefully pull it down.

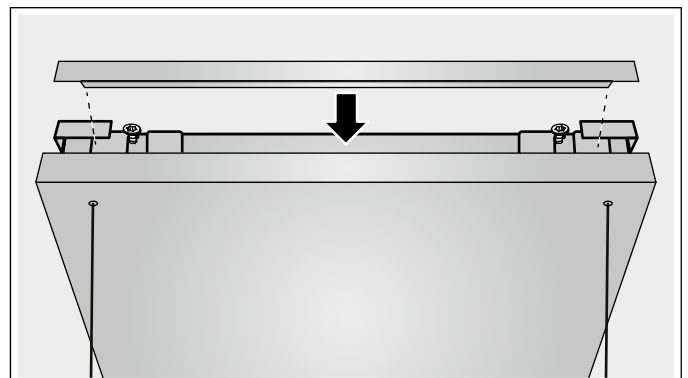


2. Fit the frame cover onto the four bolts at the edge of the frame.

Note: Slide the frame cover approx. 5 mm to the right until you hear it click into place.



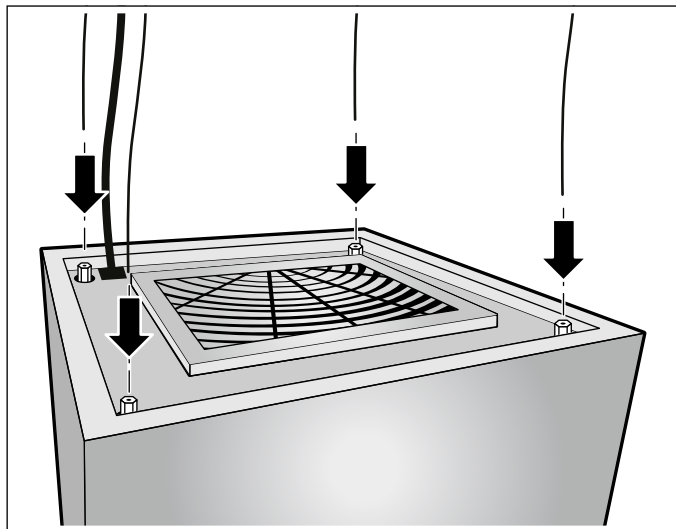
3. Tighten the bolts at the edge of the frame.
4. Secure the covers to the magnets to hide the bolts at the edges of the frame.



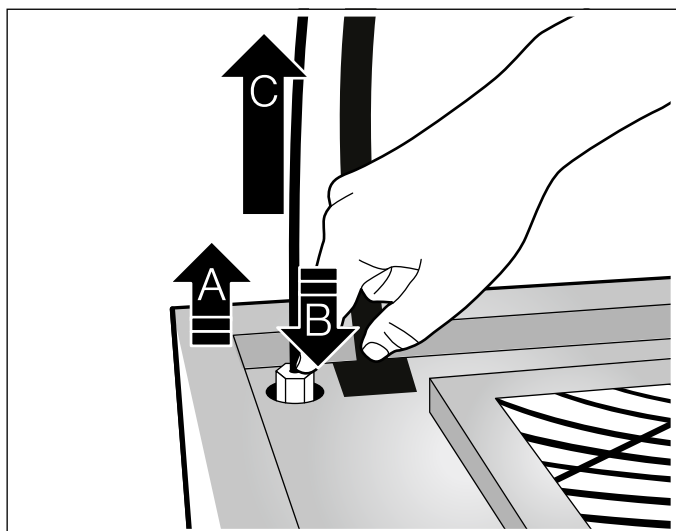
Attaching and aligning the appliance

1. First tighten the turnbuckles with an open-ended spanner, and then turn them approximately four times to open them.
Note: Do not open the turnbuckles fully, otherwise they may fall inside the appliance.
2. Enlist the help of a second person to lift the appliance and thread the cables into the turnbuckles on the top of the machine.

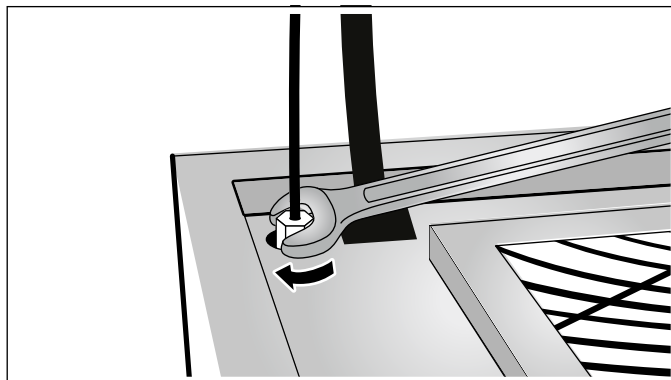
Note: Never shorten the cables.



3. Taking care to comply with the safety clearances, slide the appliance up and level it.
4. If you need to position the appliance lower down, lift it up **A**, push the turnbuckles down **B** and pull the cables back out of the turnbuckles **C**.



5. Once you have repositioned the appliance, use an open-ended spanner (WAF 7) to tighten the turnbuckles.





Robert Bosch Hausgeräte GmbH

Carl-Wery-Straße 34

81739 München

Germany

www.bosch-home.com



9001196145

970215