



Register your new Bosch now:  
[www.bosch-home.com/welcome](http://www.bosch-home.com/welcome)













## Extractor hood



**BOSCH**

[en] Instructions for installation  
and use

## Table of contents

<b>INSTRUCTION MANUAL</b> .....	<b>2</b>	<b>INSTALLATION INSTRUCTIONS</b> .....	<b>11</b>
 <b>Intended use</b> .....	<b>2</b>	 <b>Important safety information</b> .....	<b>11</b>
 <b>Important safety information</b> .....	<b>3</b>	 <b>General information</b> .....	<b>12</b>
 <b>Environmental protection</b> .....	<b>4</b>	 <b>Installation</b> .....	<b>13</b>
 <b>Operating the appliance</b> .....	<b>5</b>		
 <b>Cleaning and maintenance</b> .....	<b>6</b>		
 <b>Trouble shooting</b> .....	<b>9</b>		
 <b>Customer service</b> .....	<b>10</b>		

## INSTRUCTION MANUAL

Additional information on products, accessories, replacement parts and services can be found at [www.bosch-home.com](http://www.bosch-home.com) and in the online shop [www.bosch-eshop.com](http://www.bosch-eshop.com)

### Intended use

Read these instructions carefully. Only then will you be able to operate your appliance safely and correctly. Retain the instruction manual and installation instructions for future use or for subsequent owners.

The appliance can only be used safely if it is correctly installed according to the safety instructions. The installer is responsible for ensuring that the appliance works perfectly at its installation location.

This appliance is intended for domestic use and the household environment only. The appliance is not intended for use outside. Do not leave the appliance unattended during operation. The manufacturer is not liable for damage which is caused by improper use or incorrect operation.

This appliance is intended for use up to a maximum height of 2000 metres above sea level.

This appliance may be used by children over the age of 8 years old and by persons with reduced physical, sensory or mental capacity or by persons with a lack of experience or knowledge if they are supervised by someone who is responsible for their safety, or have been instructed in how to use the appliance safely and have understood the risks involved in not using it properly.

Children must not play with the appliance. Cleaning and user maintenance must not be performed by children unless they are over 15 years of age and are supervised. Keep children below the age of 8 years old at a safe distance from the appliance and power cable.

Check the appliance for damage after unpacking it. Do not connect the appliance if it has been damaged in transport.

This appliance is not designed to be used above gas-burning appliances.

This appliance is not intended for operation with an external clock timer or a remote control.

## Important safety information

### Warning

#### **Danger of suffocation!**

Packaging material is dangerous to children. Never allow children to play with packaging material.

### Warning

#### **Risk of fire!**

- Fatty deposits in the grease filter may catch fire. Regularly clean the grease filter. Never operate the appliance without a grease filter.
- Grease deposits in the grease filter may catch fire. Never work with naked flames close to the appliance (e.g. flambéing). Do not install the appliance near a heat-producing appliance for solid fuel (e.g. wood or coal) unless a closed, non-removable cover is available. There must be no flying sparks.
- Hot oil and fat can ignite very quickly. Never leave hot fat or oil unattended. Never use water to put out burning oil or fat. Switch off the hotplate. Extinguish flames carefully using a lid, fire blanket or something similar.

### Warning

#### **Risk of burns!**

The accessible parts become very hot when in operation. Never touch hot parts. Keep children at a safe distance.

### Warning

#### **Risk of injury!**

- Components inside the appliance may have sharp edges. Wear protective gloves.
- Items placed on the appliance may fall down. Do not place any objects on the appliance.
- The light emitted by LED lights is very dazzling, and can damage the eyes (risk group 1). Do not look directly into the switched on LED lights for longer than 100 seconds.

### Warning

#### **Risk of injury!**

Items placed on the appliance may overload the fasteners, potentially causing the appliance to fall off the wall. Do not place items on the appliance.

### Warning

#### **Risk of electric shock!**

- A defective appliance may cause electric shock. Never switch on a defective appliance. Unplug the appliance from the mains or switch off the circuit breaker in the fuse box. Contact the after-sales service.
- Incorrect repairs are dangerous. Repairs may only be carried out and damaged power cables replaced by one of our trained after-sales technicians. If the appliance is defective, unplug the appliance from the mains or switch off the circuit breaker in the fuse box. Contact the after-sales service.
- Do not use any high-pressure cleaners or steam cleaners, which can result in an electric shock.

## Causes of damage

### Caution!

Risk of damage due to corrosion. Always switch on the appliance while cooking to avoid condensation. Condensate can produce corrosion damage.

Always replace faulty bulbs to prevent the remaining bulbs from overloading.

Risk of damage due to ingress of humidity into the electronic circuitry. Never clean operator controls with a wet cloth.

Surface damage due to incorrect cleaning. Clean stainless steel surfaces in the direction of the grain only. Do not use any stainless steel cleaners for operator controls.

Surface damage due to strong or abrasive cleaning agents. Never use strong and abrasive cleaning agents.

Risk of damage as a result of incorrect loading of design elements. Do not pull design elements. Do not place objects on the design elements or hang objects from them.

## Environmental protection

Your new appliance is particularly energy-efficient. Here you can find tips on how to save even more energy when using the appliance, and how to dispose of your appliance properly.

### Saving energy

- During cooking, ensure that there is a sufficient supply of air so that the extractor hood can work efficiently and with a low level of operating noise.
- Adjust the fan speed to the intensity of the cooking fumes. Only use intensive mode where this is required. A lower fan speed means that less energy is consumed.
- If there are intensive cooking fumes, select a higher fan speed in good time. If cooking fumes have already spread in the kitchen, the extractor hood must be operated for longer.
- Switch off the extractor hood if you no longer require it.
- Switch off the lighting if you no longer require it.
- Clean and, if required, replace the filter at regular intervals in order to increase the effectiveness of the ventilation system and to prevent the risk of fire.

### Environmentally-friendly disposal

Dispose of packaging in an environmentally-friendly manner.



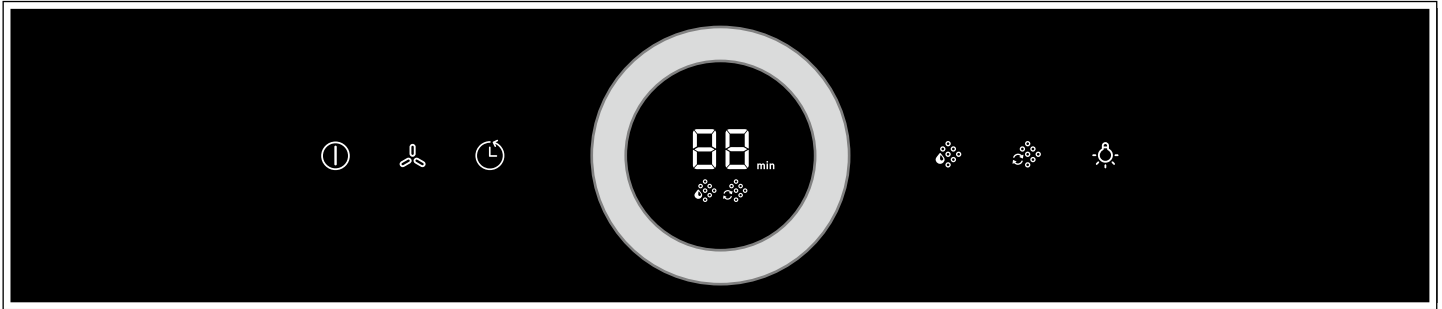
This appliance is labelled in accordance with European Directive 2012/19/EU concerning used electrical and electronic appliances (waste electrical and electronic equipment - WEEE). The guideline determines the framework for the return and recycling of used appliances as applicable throughout the EU.







## Operating the appliance



These instructions apply to several appliance variants. It is possible that individual features are described which do not apply to your appliance.

**Note:** . Switch on the extractor hood when you start cooking and switch it off again several minutes after you have finished cooking. This is the most effective way of removing the kitchen fumes.

### Control panel




Symbol	Explanation
	Fan on/off
	Fan settings
	Fan run-on
	Metal grease filter saturation indicator
	Activated charcoal filter saturation indicator
	Light on/off/dimming


Display	Explanation
<i>1-3</i>	Fan settings
<i>P 1, P 2</i>	Intensive mode
<b>min</b>	Fan run-on in minutes
	Metal grease filter saturation indicator
	Activated charcoal filter saturation indicator

### Setting the fan

#### Switching on

1. Touch the  symbol.  
The fan starts at fan setting 2.
2. Use the rotary selector to select the fan setting.  
**Note:** Turn the rotary selector clockwise to set a higher fan setting, and turn it anti-clockwise to set a lower fan setting. The selected fan setting is shown in the display.

#### Switching off

Touch the  symbol.

### Intensive setting

You can use the intensive setting if there is a large build-up of odours and fumes/vapours.

#### Switching on

Turn the rotary selector until *P 1* or *P 2* is displayed.

**Note:** After approx. 6 minutes, the extractor hood automatically switches back to fan setting 3.

#### Switching off

If you want to end the intensive mode before the set time has elapsed, turn the rotary selector anti-clockwise.

### Fan run-on time

#### Switching on

Touch the  symbol.

The fan runs at fan setting 1.

The remaining minutes of the run-on time are shown in the display.

After approx. 10 minutes, the fan switches off automatically.

**Note:** You can use the rotary selector to adjust the run-on time ( *1* to *99* minutes).


#### Switching off

Touch the  symbol.

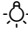
This immediately stops the fan run-on. The appliance switches to the fan setting that was previously set.

## Lighting

The lighting can be switched on and off independently of the fan.

Touch the  symbol.

### Setting the brightness



Press and hold the  symbol until the required brightness is reached.

## Saturation display

If the metal grease filters or activated charcoal filter are/is saturated, the corresponding symbols flash once the appliance has been switched off:

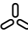

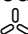
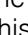

- **Metal grease filter:** 
- **Activated charcoal filter:** 
- **Metal grease filter and activated charcoal filter:**  and 

If you have not yet done so, the metal grease filters should now be cleaned or the activated charcoal filter replaced. → "Cleaning and maintenance" on page 6

The saturation displays can be reset while they are flashing. To do this, touch the  or  symbol.


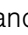

### Switching over the display for the air circulation mode

For air recirculation mode, the electronic controller must be switched over accordingly:




- The extractor hood must be connected and switched off.
- Touch and hold the  symbol. Use the rotary selector to change the display to 2. Take your finger off the  symbol. This switches the electronic controller over to air recirculation mode (filters that cannot be regenerated).
- Touch and hold the  symbol. Use the rotary selector to change the display to 3. Take your finger off the  symbol. This switches the electronic controller over to air recirculation mode (filters that can be regenerated).
- Repeatedly touching and holding the  symbol and changing the display to "1" switches the electronic controller back to air extraction mode.

## Audible signal

### Switching on

Touch and hold the  and  symbols at the same time for approximately three seconds when the fan is switched off. As confirmation, an audible signal sounds and  is shown in the display.

### Switching off

Touch and hold the  and  symbols at the same time for approximately three seconds when the fan is switched off. As confirmation,  is shown in the display.



## Cleaning and maintenance



### Warning

#### Risk of injury!

Items placed on the appliance may overload the fasteners, potentially causing the appliance to fall off the wall. Do not place items on the appliance.



### Warning

#### Risk of electric shock!

Penetrating moisture may result in an electric shock. Clean the appliance using a damp cloth only. Before cleaning, pull out the mains plug or switch off the circuit breaker in the fuse box.



### Warning

#### Risk of electric shock!

Do not use any high-pressure cleaners or steam cleaners, which can result in an electric shock.



### Warning

#### Risk of injury!

Components inside the appliance may have sharp edges. Wear protective gloves.



### Warning

#### Risk of injury!

If appliances supported by cables are permitted to swing to and fro, this may overload the fasteners, potentially causing the appliance to fall off the wall. Do not do anything that makes the appliance swing to and fro.

## Cleaning agents

To ensure that the different surfaces are not damaged by using the wrong cleaning product, follow the instructions in the table. Do not use any of the following:

- Harsh or abrasive cleaning agents, e.g. scouring powder or liquid scouring cleaner,
- Cleaning products with a high alcohol content,
- Hard scouring pads or cleaning sponges,
- Pressure washers or steam cleaners,
- Cleaning products that dissolve limescale,
- Aggressive all-purpose cleaning products,
- Oven spray.

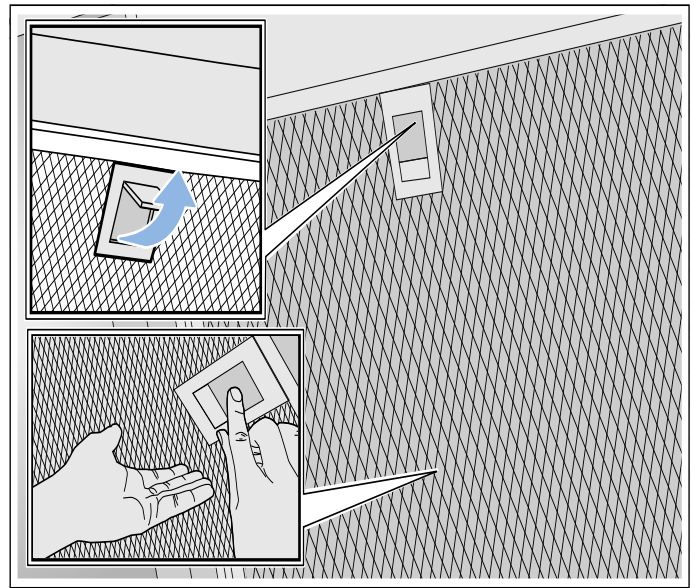
**Note:** Wash new sponge cloths thoroughly before use.

**Note:** Follow all instructions and warnings included with the cleaning products.

Area	Cleaning products
Stainless steel	<p>Hot soapy water: Clean with a dish cloth and then dry with a soft cloth.</p> <p>Clean stainless steel surfaces in the direction of the grain only.</p> <p>Special stainless steel cleaning products are available from our after-sales service or from specialist retailers. Apply a very thin layer of the cleaning product with a soft cloth.</p>
Painted surfaces	<p>Hot soapy water: Clean using a damp dish cloth and then dry with a soft cloth.</p> <p>Do not use stainless steel cleaner.</p>
Aluminium and plastic	<p>Hot soapy water: Clean with a soft cloth.</p>
Glass	<p>Glass cleaner: Clean with a soft cloth. Do not use a glass scraper.</p>
Controls	<p>Hot soapy water: Clean using a damp dish cloth and then dry with a soft cloth.</p> <p>Risk of electric shock caused by penetrating moisture.</p> <p>Risk of damage to the electronics caused by penetrating moisture. Never clean controls with a wet cloth.</p> <p>Do not use stainless steel cleaner.</p>

## Removing metal grease filter

1. Open the lock and swing down the metal grease filter. When you do this, take hold of the metal grease filter from underneath with your other hand.
2. Take the metal grease filter out of the holder.



### Notes

- Fat may accumulate in the bottom of the metal grease filter.
  - Hold the metal grease filter level to prevent fat from dripping out.
3. Clean the metal grease filter.
  4. Clean the appliance support cables.
  5. Clean the accessible parts of the housing. Clean the inside of the appliance.

### **Warning**

#### **Risk of injury!**

Components inside the appliance may have sharp edges. Wear protective gloves.

## Cleaning the metal mesh grease filters

These instructions apply to several appliance variants. It is possible that individual features are described which do not apply to your appliance.

### Warning

#### Risk of fire!

Fatty deposits in the grease filter may catch fire. Regularly clean the grease filter. Never operate the appliance without a grease filter.

#### Notes

- Do not use aggressive, acidic or alkaline cleaning products.
- We recommend cleaning the grease filters every 2 months.
- When cleaning the metal grease filters, also clean the metal grease filter holder in the appliance using a damp cloth.
- The metal grease filters can be cleaned in the dishwasher or by hand.

#### By hand:

**Note:** You can use a special degreaser to remove stubborn dirt. This can be ordered from the online shop.

- Soak the metal grease filters in hot soapy water.
- Clean the filters with a brush and then rinse them thoroughly.
- Leave the metal grease filters to drain on an absorbent material.

#### In the dishwasher:

**Note:** Slight discolouration may occur if the metal grease filters are cleaned in the dishwasher. This discolouration has no effect on the performance of the metal grease filters.

- Use normal domestic dishwashing detergents.
- Do not clean heavily soiled metal grease filters together with cookware.
- Place the metal grease filters in the dishwasher, leaving plenty of space around them. Do not trap the metal grease filters.
- Select a temperature of no more than 50 °C.

## Installing the metal mesh grease filter

### Warning

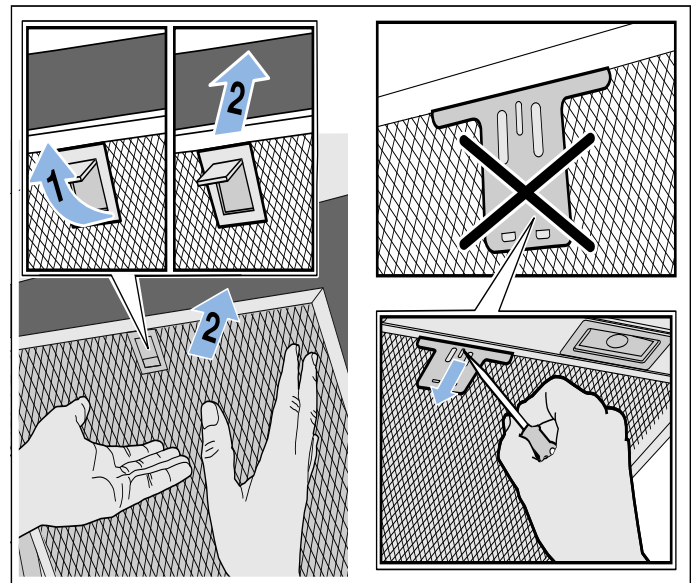
#### Risk of injury!

Components inside the appliance may have sharp edges. Wear protective gloves.

#### Notes

- Clean all accessible parts of the housing.
  - Clean the appliance support cables with care.
1. Insert the metal grease filter. When you do this, take hold of the metal grease filter from underneath with your other hand.
 

**Note:** Make sure that the metal grease filter is positioned correctly.
  2. Swing the metal grease filter up and click it into place.
  3. If the metal grease filter has not been inserted correctly, open the lock and reinsert the metal grease filter correctly.

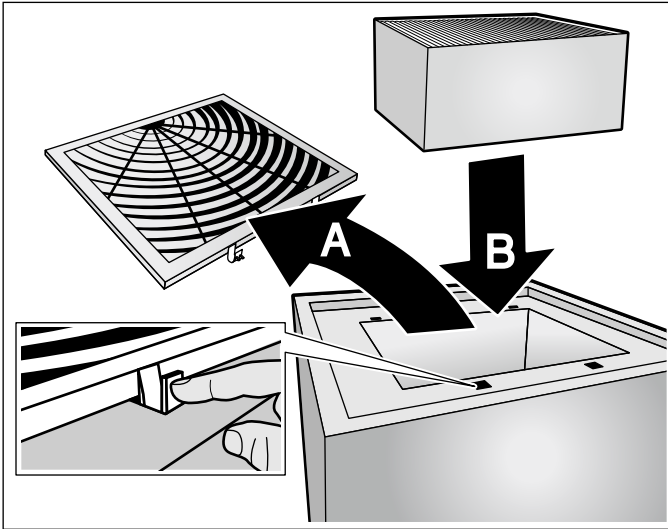




## Replacing the activated charcoal filter

**Note:** To bind odours in circulating-air mode, you must install an activated carbon filter. The different options for operating the appliance in circulating-air mode can be found in the brochure. Alternatively, ask your dealer. The required accessories are available from specialist retailers, from customer service or from the Online Shop.

1. Open the cover on the top of the appliance.
2. Remove the old activated charcoal filter and insert the new one.



3. Close the cover.
4. Reset the saturation indicator. → "Saturation display" on page 6

## ? Trouble shooting

Malfunctions often have simple explanations. Please read the following notes before calling the after-sales service.

### **Warning**

#### **Risk of electric shock!**

Incorrect repairs are dangerous. Repairs may only be carried out and damaged power cables replaced by one of our trained after-sales technicians. If the appliance is defective, unplug the appliance from the mains or switch off the circuit breaker in the fuse box. Contact the after-sales service.

### Malfunction table

Problem	Possible cause	Solution
The appliance does not work	The plug is not plugged in.	Connect the appliance to the electricity supply
	Power cut	Check whether other kitchen appliances are working
	Faulty fuse	Check in the fuse box to make sure that the fuse for the appliance is OK
The lighting does not work.	The LED lights are defective.	Call the after-sales service.
The button illumination does not work.	The control unit is faulty.	Call the after-sales service.

### LED lights

Defective LED lights may be replaced by the manufacturer, their customer service or a qualified technician (electrician) only.

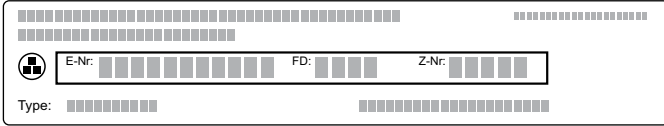
### **Warning**

#### **Risk of injury!**


The light emitted by LED lights is very dazzling, and can damage the eyes (risk group 1). Do not look directly into the switched on LED lights for longer than 100 seconds.

## Customer service

When calling us, please quote the product number (E no.) and the production number (FD no.) so that we can provide you with the correct advice. These numbers can be found on the rating plate on the top of the appliance (to access it, you will need to remove the activated charcoal filter).



You can make a note of the numbers of your appliance and the telephone number of the after-sales service in the space below to save time should it be required.

E no.	FD no.
<b>After-sales service</b> 	

Please be aware that a visit by an after-sales engineer will be charged if a problem turns out to be the result of operator error, even during the warranty period.

Please find the contact data of all countries in the enclosed customer service list.

### To book an engineer visit and product advice

- GB** 0344 892 8979  
Calls charged at local or mobile rate.
- IE** 01450 2655  
0.03 € per minute at peak. Off peak 0.0088 € per minute.

Rely on the professionalism of the manufacturer. You can therefore be sure that the repair is carried out by trained service technicians who carry original spare parts for your appliances.

## Accessories

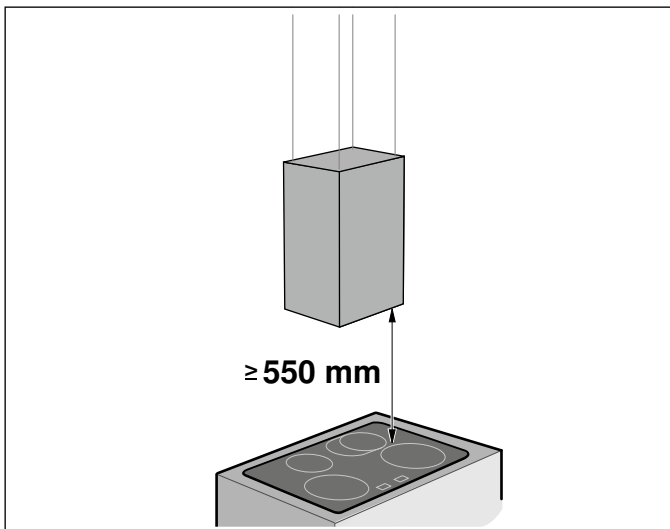
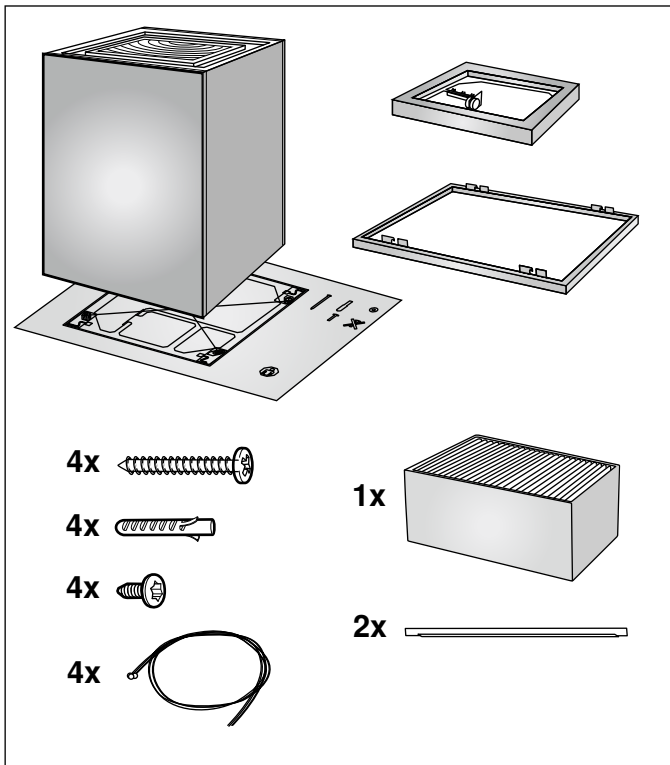
(not included in the scope of delivery)

**Note:** These instructions apply to several appliance models. It may be the case that an optional accessory that is listed does not apply for your appliance.

**Note:** Observe the installation instructions in the accessory.

Easy-change filter for CleanAir air recirculation module (cannot be regenerated)	DSZ5201
Easy-change filter for CleanAir air recirculation module (can be regenerated)	DZZ0XX0P0

# INSTALLATION INSTRUCTIONS



- This appliance is fitted to the kitchen ceiling or a sturdy suspended ceiling.
- The surfaces of the appliance are sensitive. Avoid damaging them during installation.

## Important safety information

Read these instructions carefully. Only then will you be able to operate your appliance safely and correctly. Retain the instruction manual and installation instructions for future use or for subsequent owners.

Check the appliance for damage after unpacking it. Do not connect the appliance if it has been damaged in transport.

The appliance can only be used safely if it is correctly installed according to the safety instructions. The installer is responsible for ensuring that the appliance works perfectly at its installation location.

Only a licensed professional may connect appliances without plugs. Damage caused by incorrect connection is not covered under warranty.

The surfaces of the appliance are easily damaged. Avoid damaging them during installation.

For the installation, observe the currently valid building regulations and the regulations of the local electricity and gas suppliers.

## Warning Risk of fire!

- Fatty deposits in the grease filter may catch fire. The specified safety clearances must be complied with in order to prevent a build-up of heat. Refer to the information provided for your cooker. If gas and electric hobs are being operated together, the largest specified clearance applies.
- Grease deposits in the grease filter may catch fire. Never work with naked flames close to the appliance (e.g. flambéing). Do not install the appliance near a heat-producing appliance for solid fuel (e.g. wood or coal) unless a closed, non-removable cover is available. There must be no flying sparks.

**⚠ Warning****Risk of injury!**

- Components inside the appliance may have sharp edges. Wear protective gloves.
- The appliance may fall down if it has not been properly fastened in place. All fastening components must be fixed firmly and securely.
- The appliance is heavy. To move the appliance, 2 people are required. Use only suitable tools and equipment.
- Changes to the electrical or mechanical assembly are dangerous and may lead to malfunctions. Do not make any changes to the electrical or mechanical assembly.
- Risk of falling when working on the appliance. Use a stable stepladder.

**⚠ Warning****Risk of electric shock!**

Components inside the appliance may have sharp edges. These may damage the connecting cable. Do not kink or pinch the connecting cable during installation.

**⚠ Warning****Risk of electric shock!**

It must always be possible to disconnect the appliance from the power supply. If there is a fixed connection, an all-pole isolating switch with a contact gap of at least 3 mm must be provided for the wiring. Only an electrician may install the fixed connection. We recommend installing a residual-current circuit breaker (RCCB) in the appliance's power supply circuit.

**⚠ Warning****Risk of electric shock!**

Incorrect repairs are dangerous. Repairs may only be carried out and damaged power cables replaced by one of our trained after-sales technicians. If the appliance is defective, unplug the appliance from the mains or switch off the circuit breaker in the fuse box. Contact the after-sales service.

**⚠ Warning****Danger of suffocation!**

Packaging material is dangerous to children. Never allow children to play with packaging material.



## General information

### Preparing the ceiling

- The ceiling must be flat, horizontal and have adequate load-bearing capacity.
- The depth of the bore holes must be the same length as the screws. The wall plugs must have a secure grip.
- The enclosed screws and wall plugs are suitable for solid brickwork. Suitable fasteners must be used for other structures (e.g. plasterboard, porous concrete, perforated bricks).
- The maximum weight of the extractor hood is **26 kg**.

### Electrical connection

**⚠ Warning****Risk of electric shock!**

It must always be possible to disconnect the appliance from the power supply. If there is a fixed connection, an all-pole isolating switch with a contact gap of at least 3 mm must be provided for the wiring. Only an electrician may install the fixed connection. We recommend installing a residual-current circuit breaker (RCCB) in the appliance's power supply circuit.

**⚠ Warning****Risk of electric shock!**

Components inside the appliance may have sharp edges. These may damage the connecting cable. Do not kink or pinch the connecting cable during installation.

The required connection information can be found on the rating plate inside the appliance; to access it, you will need to remove the activated charcoal filter.

**Length of the cable: approx. 1.30 m**

This appliance complies with the EC interference suppression regulations.

The appliance must be disconnected from the power supply whenever installation work is being carried out.

When the appliance is installed, protection must be provided against accidental contact in the future.

## Installation

### Preparing for installation

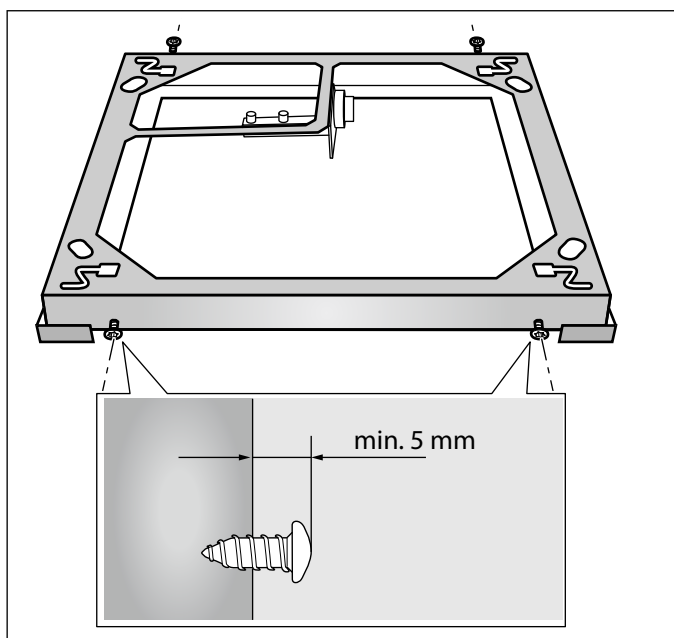
#### Caution!

Ensure that there are no electrical wires, gas pipes or water pipes in the area where holes are to be drilled.

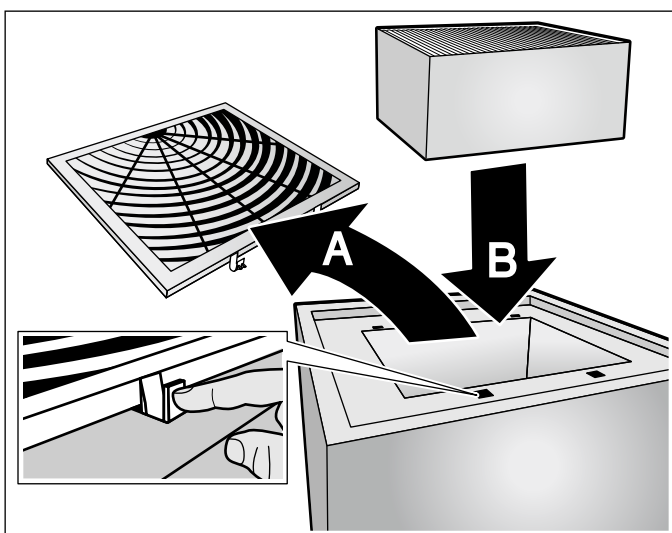
1. Cover the hob to protect it from damage.
2. Mark where the centre of the extractor hood should be on the ceiling above the centre of the hob.
3. Using the template provided, mark the locations where the bolts should be inserted on the ceiling.
4. Drill four 8 mm diameter holes to a depth of 80 mm for fastening the appliance and press in the wall plugs flush with the wall.

### Preparing the appliance

1. Screw in the four bolts on the edge of the frame at the marked locations, leaving them protruding out of the frame by approx. 5 mm.



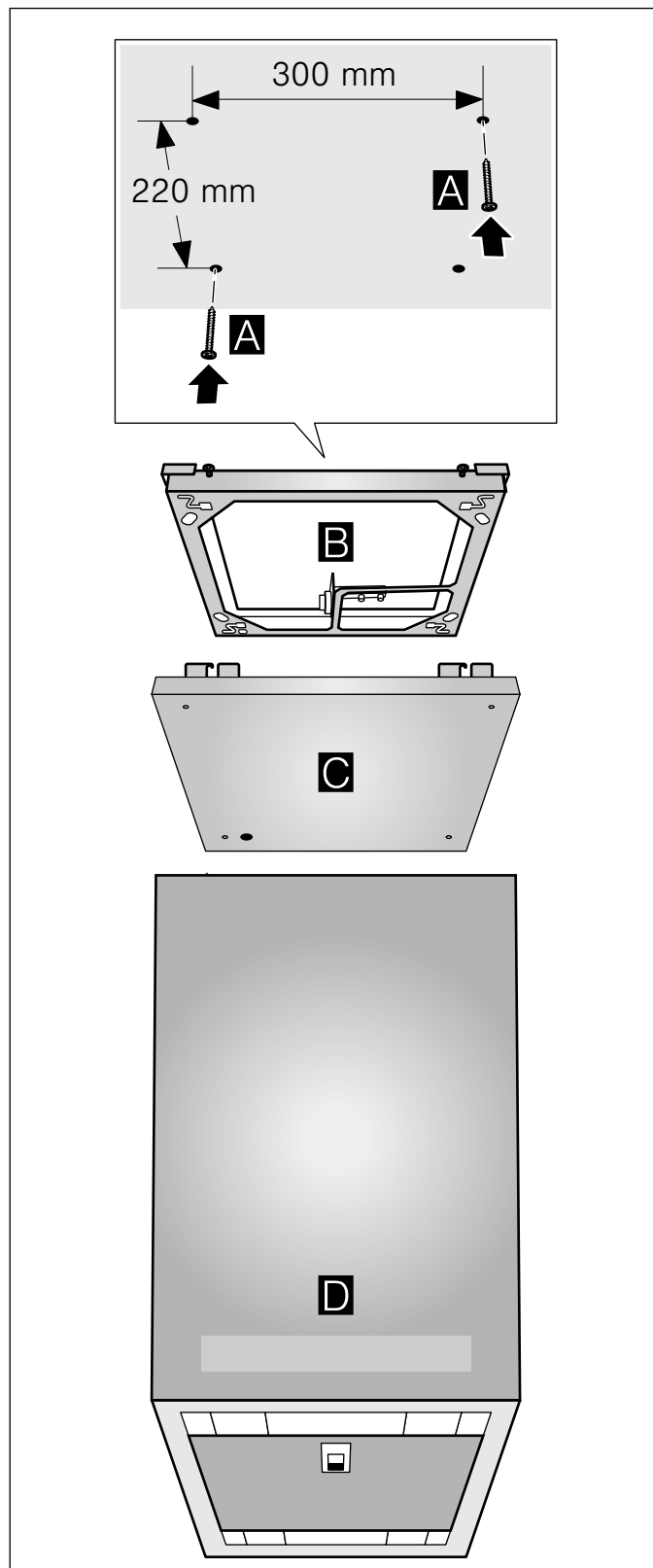
2. Remove the film from the frame cover.
3. Remove the activated charcoal filter from the film.
4. Open the cover on the top of the appliance and remove it **A**, insert the activated charcoal filter **B** and then close the cover.



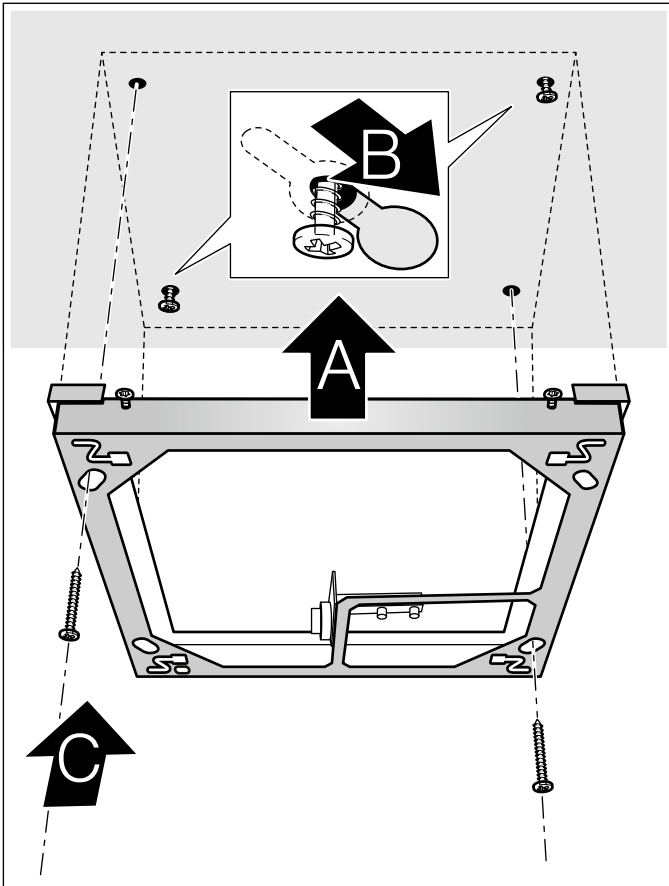
### Fitting the frame

1. Screw in the two bolts, leaving them protruding out of the ceiling by 5 - 9 mm **A**.

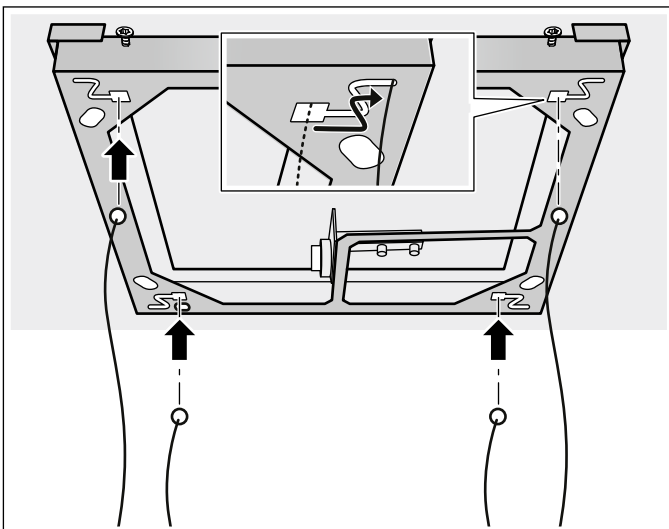
**Note:** Make sure that the bolts **A**, frame **B**, frame cover **C** and control **D** are positioned correctly relative to one another. The position of the control is marked on the template.



2. Insert the two bolts on the ceiling through the openings provided in the frame **A**. Move the frame to allow the bolts to be screwed into the keyhole openings **B**.



3. Use two more bolts to screw the frame in place. **C** Tighten all the bolts fully.
4. Insert the four cables into the openings provided in the frame and thread them through the labyrinth.



## Establishing a connection to the mains

### **⚠ Warning**

#### **Risk of electric shock!**

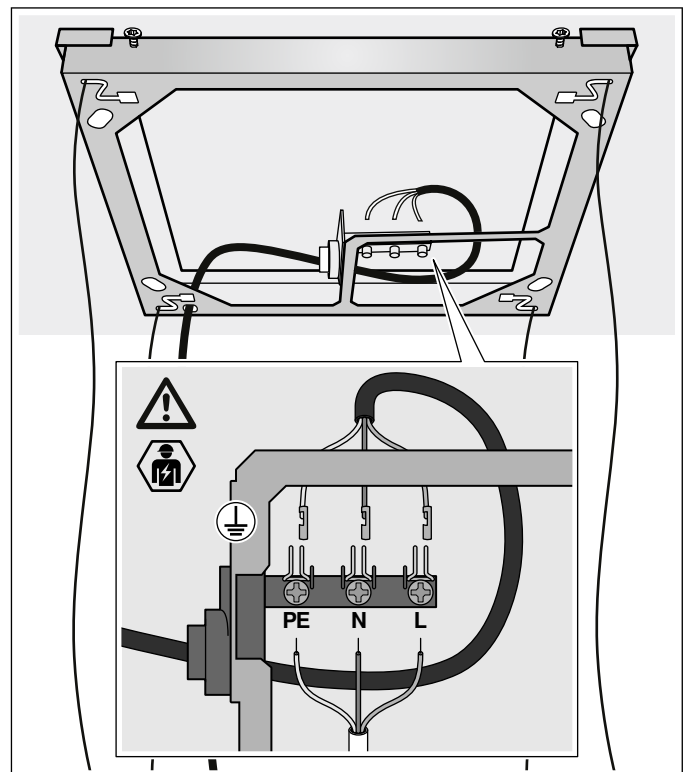
It must always be possible to disconnect the appliance from the power supply. If there is a fixed connection, an all-pole isolating switch with a contact gap of at least 3 mm must be provided for the wiring. Only an electrician may install the fixed connection. We recommend installing a residual-current circuit breaker (RCCB) in the appliance's power supply circuit.

**Note:** To find out the correct fuse rating, see the total connected load (in watts) on the appliance's rating plate.

1. Position the appliance underneath the frame.
2. Carefully thread the cables and the mains power cable through the opening in the frame cover. Place the frame cover down onto the appliance.
3. Mount the appliance on the wall and level it; see the section entitled "Wall-mounting the appliance and levelling it".
4. Thread the mains power cable through the opening in the frame and then through the strain relief.

### **Caution!**

Do not position the mains power cable that is inside the frame underneath the frame.



5. Connect the appliance to the power supply.

### **Caution!**

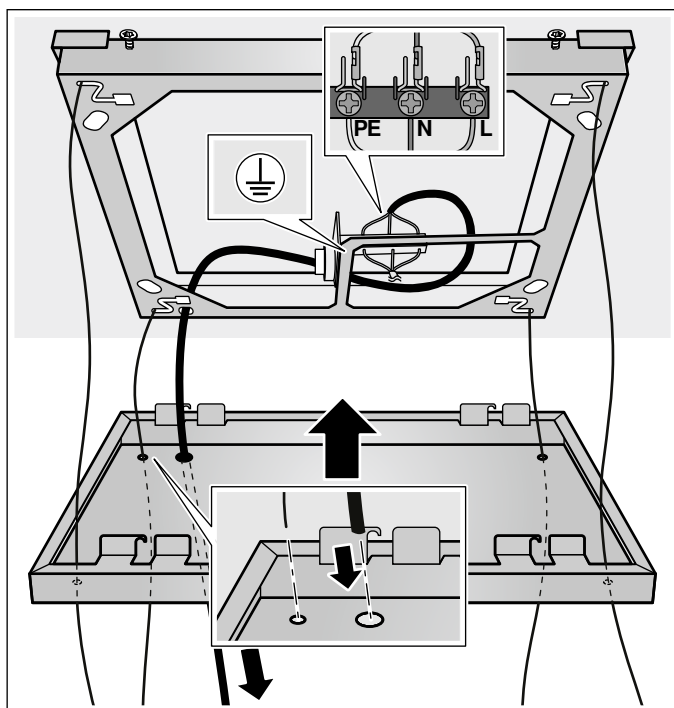
Pay attention to the marks on the connection terminals when connecting the wires (permissible cross sections of the domestic wiring: 1 mm<sup>2</sup> - 2.5 mm<sup>2</sup>) in the mains power cable.

6. Use an open-ended spanner (WAF 17) to tighten the strain relief until the mains power cable is held firmly and cannot move.

## Fitting the frame cover

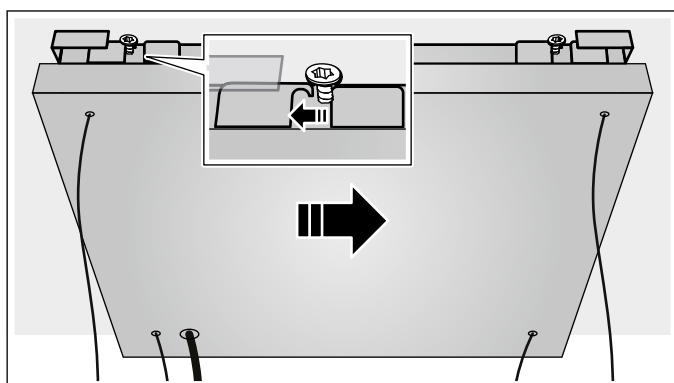
1. Slide the frame cover up.

**Note:** Thread the mains power cable through the opening in the frame cover and, if necessary, carefully pull it down.

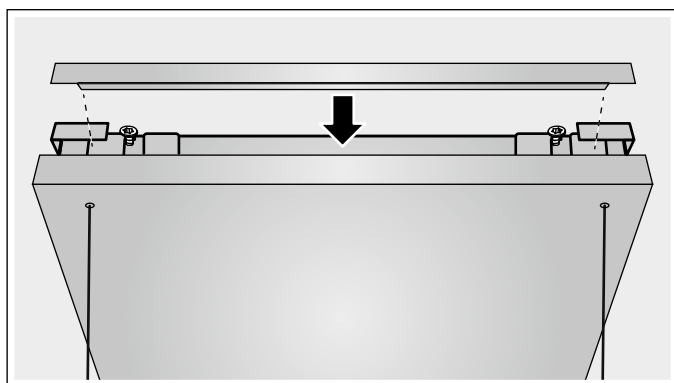


2. Fit the frame cover onto the four bolts at the edge of the frame.

**Note:** Slide the frame cover approx. 5 mm to the right until you hear it click into place.



3. Tighten the bolts at the edge of the frame.
4. Secure the covers to the magnets to hide the bolts at the edges of the frame.



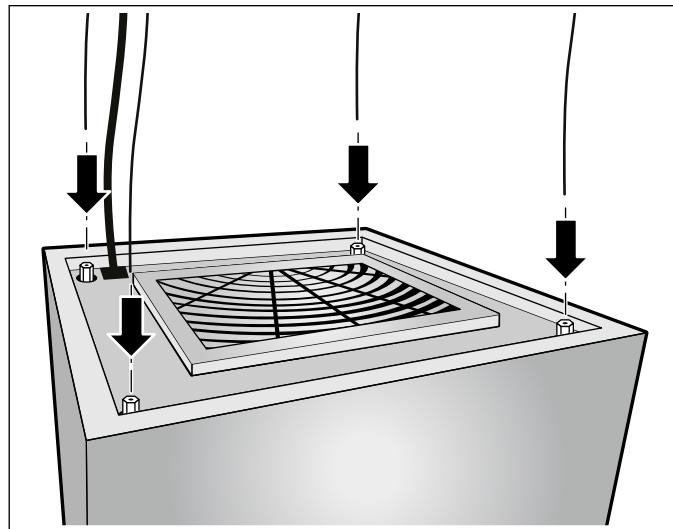
## Attaching and aligning the appliance

1. Manually open the cable tensioners until the cable can be inserted in it. Do not use any tools.

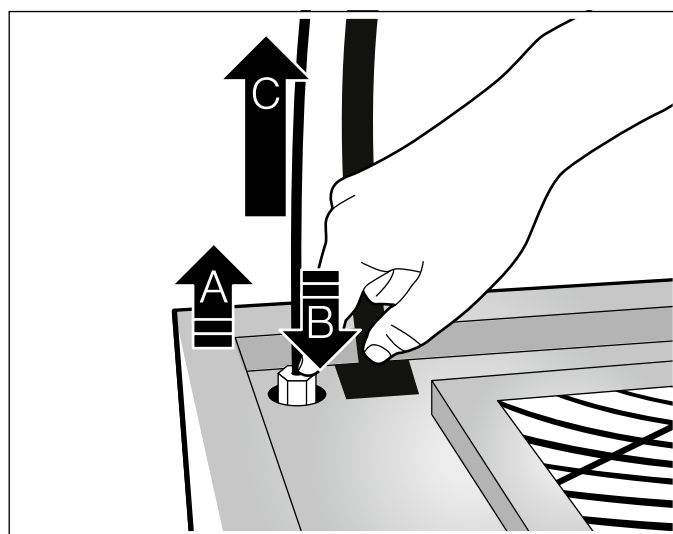
**Note:** Do not open the cable tensioners fully. The cable tensioners may fall into the appliance.

2. Enlist the help of a second person to lift the appliance and thread the cables into the cable tensioners on the top of the appliance.

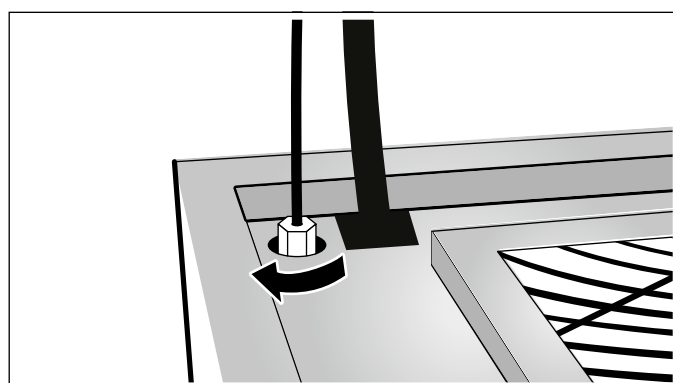
**Note:** Never shorten the cables.



3. Taking care to comply with the safety clearances, slide the appliance up and level it.
4. If you need to position the appliance lower down, lift it up **A**, push the cable tensioners down **B** and pull the cables back out of the cable tensioners **C**.



5. After aligning, tighten the cable tensioners so that they are hand-tight. Do not use any tools.





**Robert Bosch Hausgeräte GmbH**

Carl-Wery-Straße 34

81739 München

Germany

**[www.bosch-home.com](http://www.bosch-home.com)**



9001195953

971101