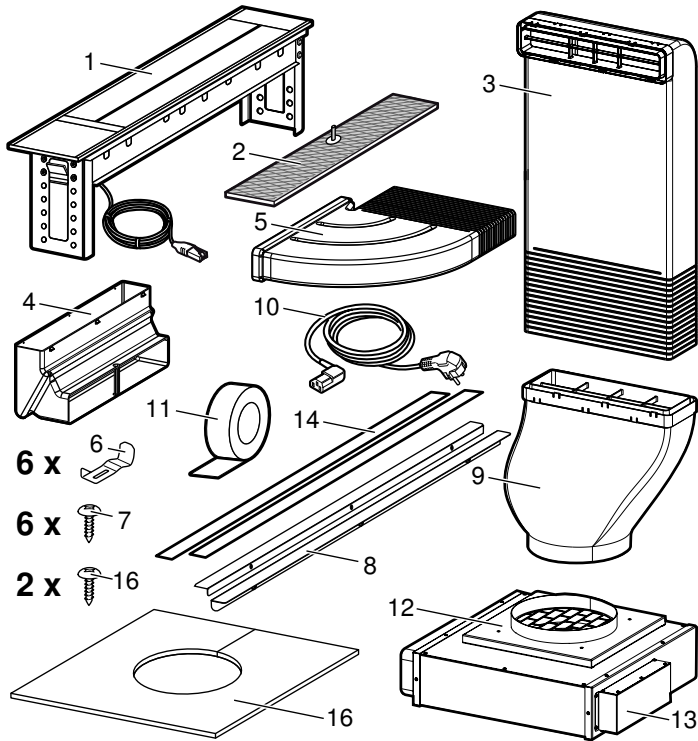
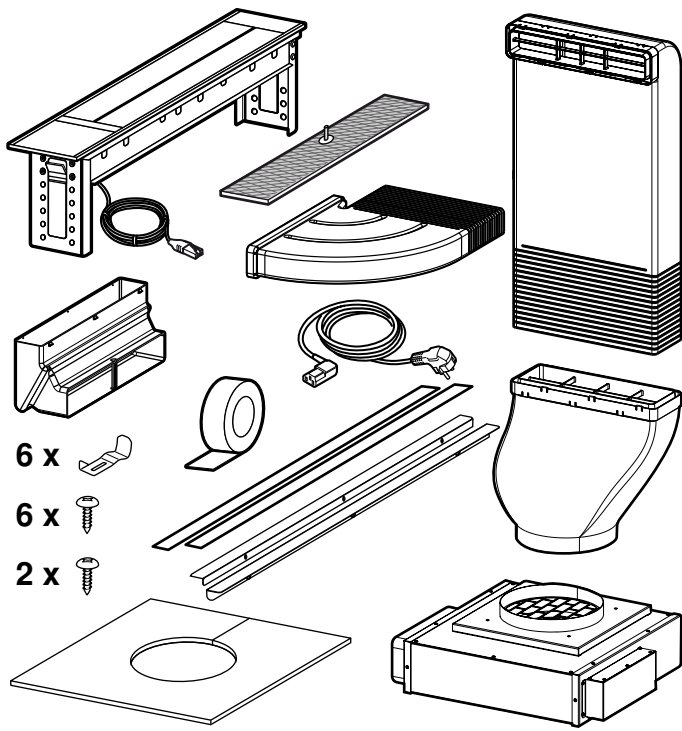
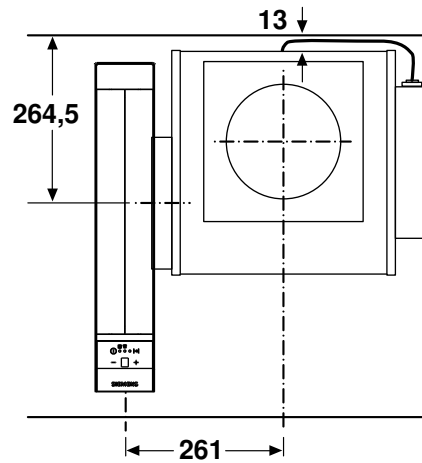
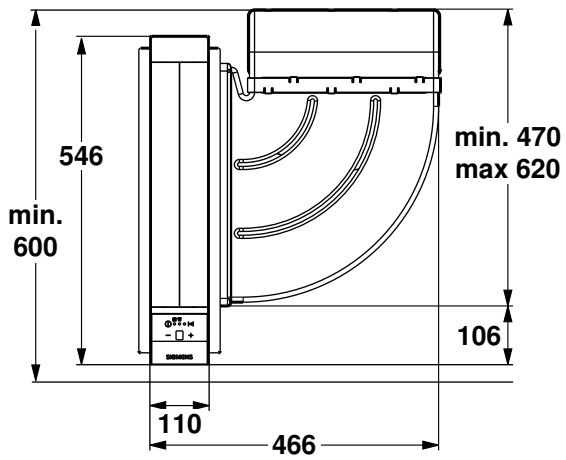
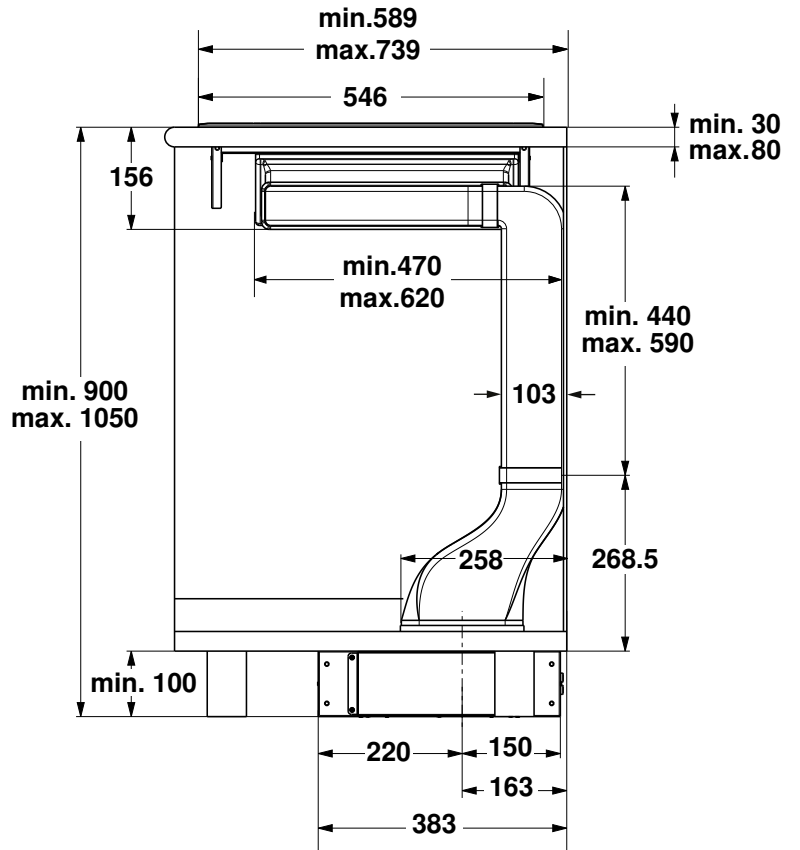
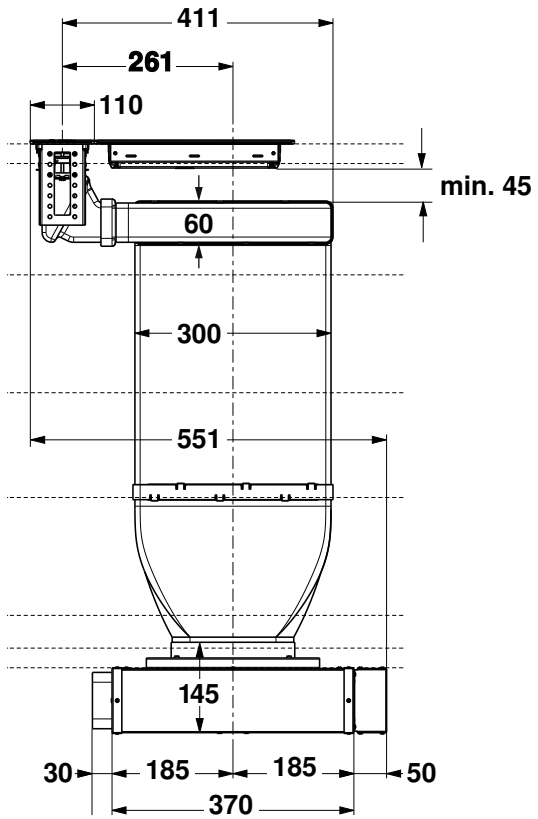




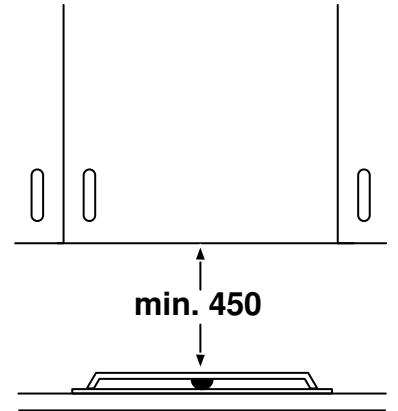
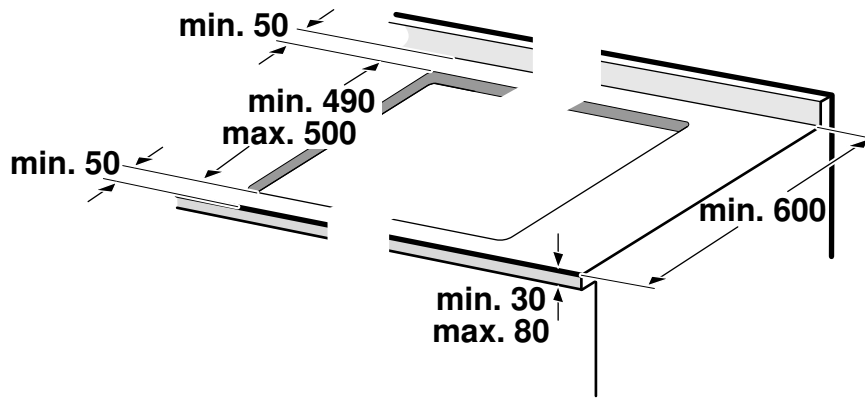
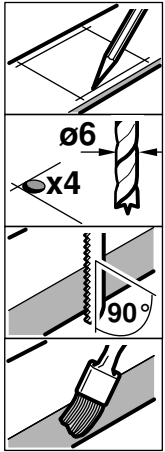
en Installation instructions



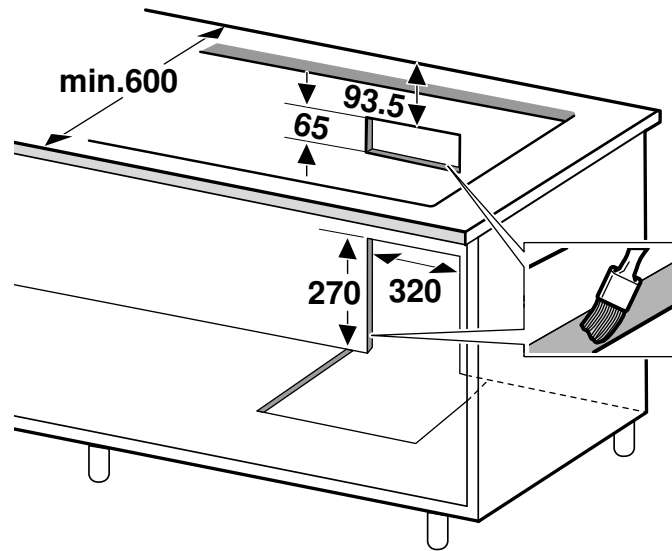
- 1 Appliance with pre-fitted 500-mm connecting strips
- 2 Metal grease filter
- 3 Flat duct
- 4 Flat duct connection
- 5 Elbow
- 6 Installation brackets
- 7 Screws for installation brackets
- 8 490-mm connecting strips
- 9 Flat duct
- 10 Power cable
- 11 Adhesive tape
- 12 Fan module
- 13 Control box
- 14 Seals for connecting strips
- 15 Screws for flat duct
- 16 Cover plate

A

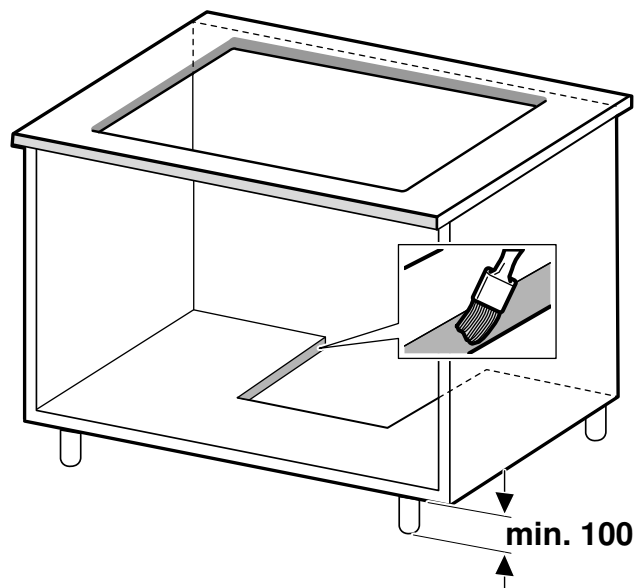
1a



1b

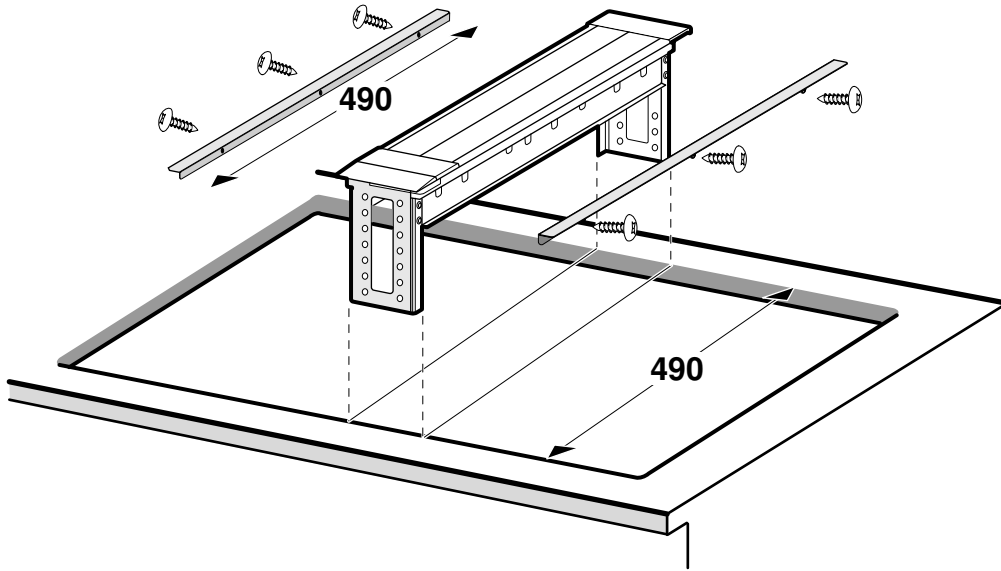


1c*

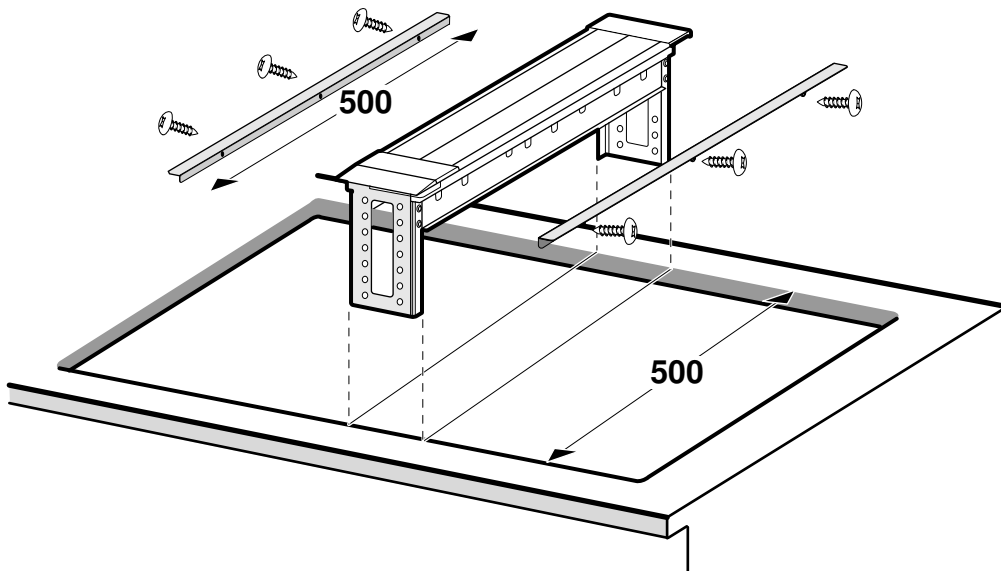


*The fan module must still be accessible for servicing.
Installation example: Where the cut-out should be positioned depends on the position of the fan module.

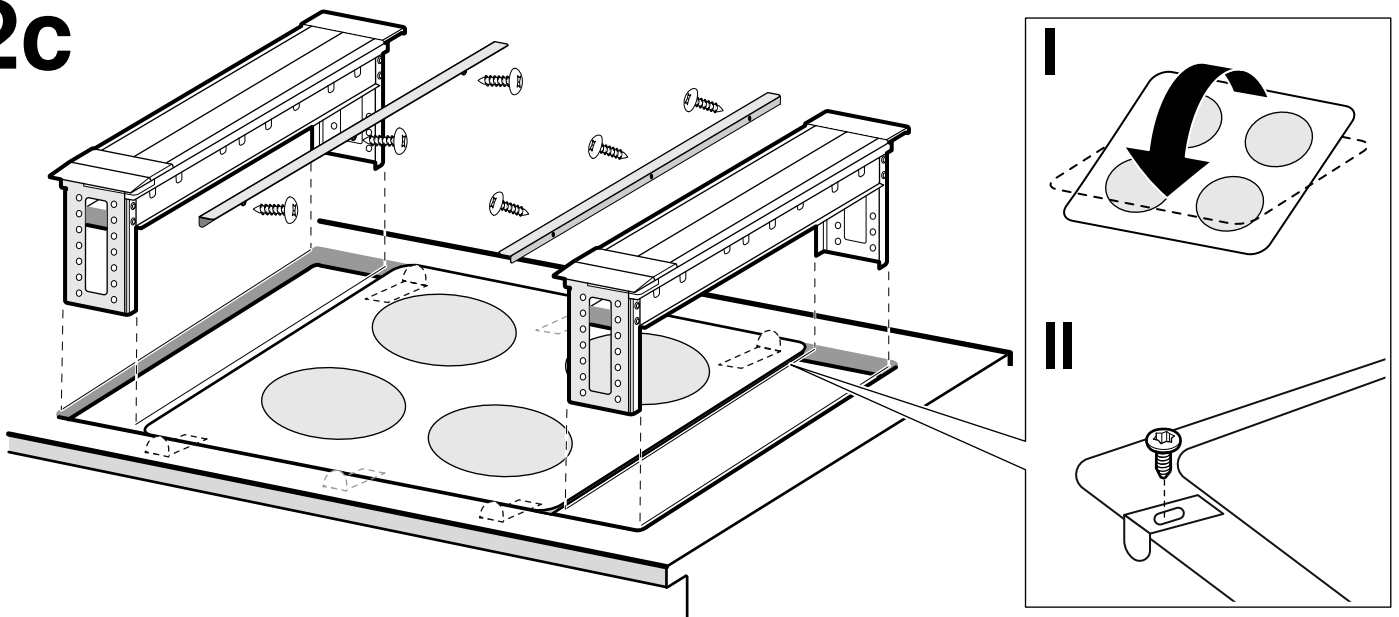
2a



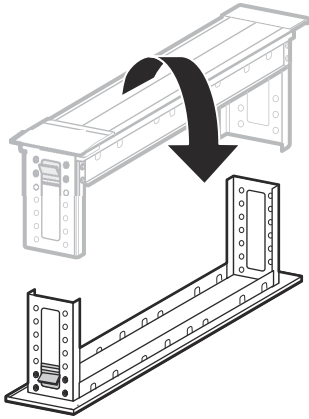
2b



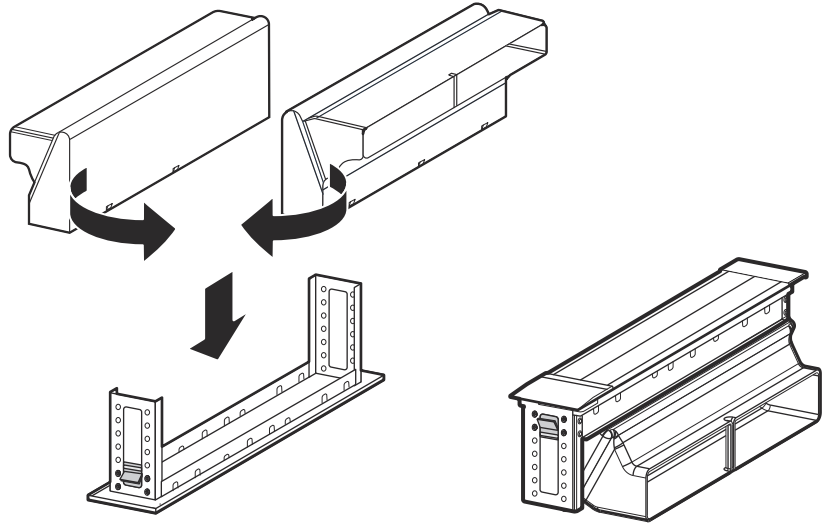
2c



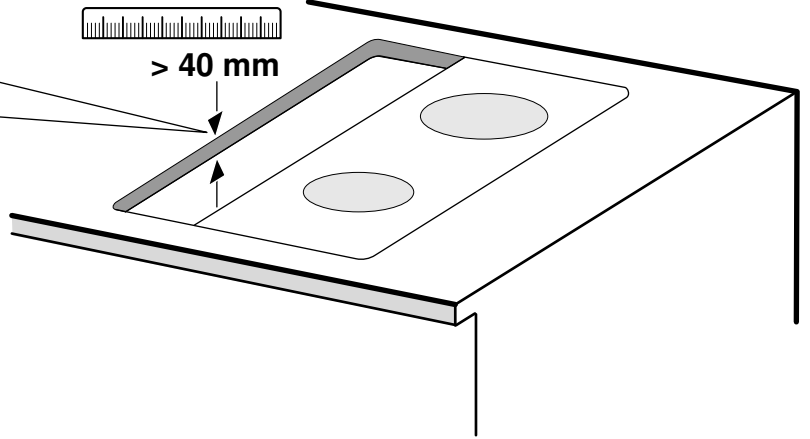
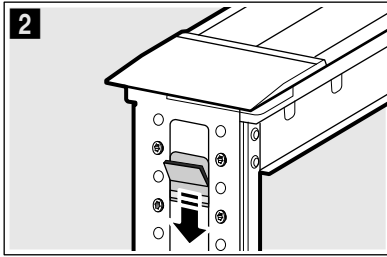
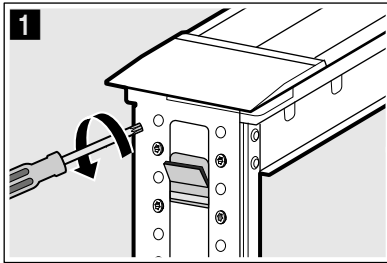
3



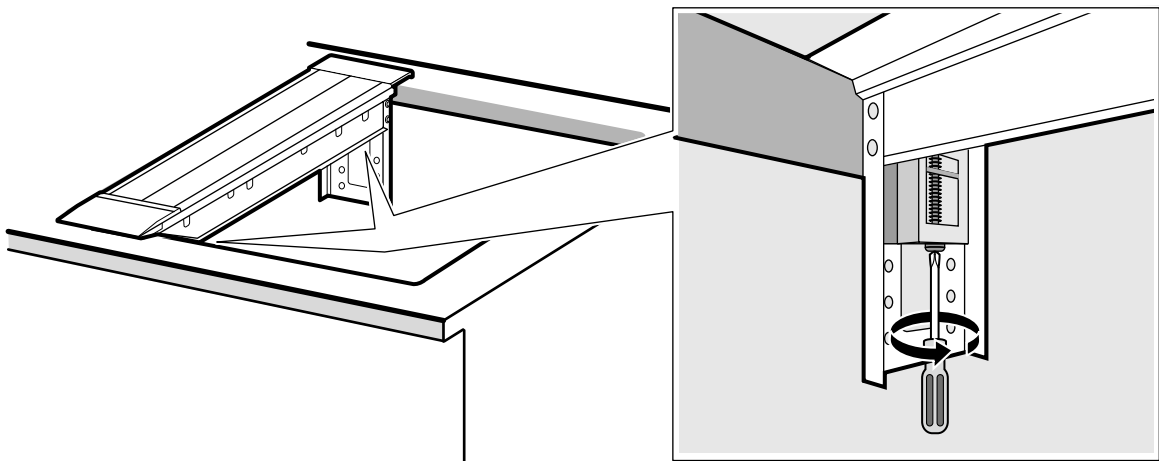
4

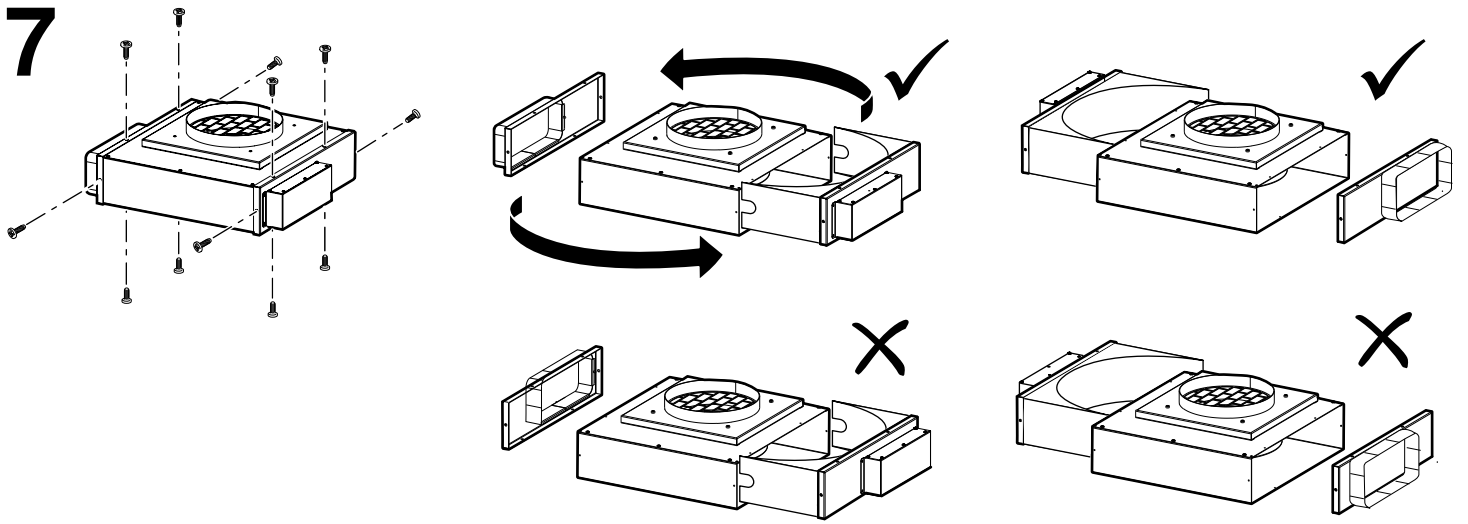


5

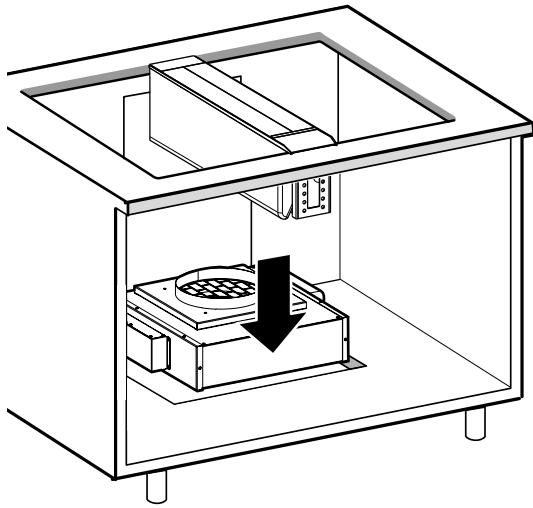


6

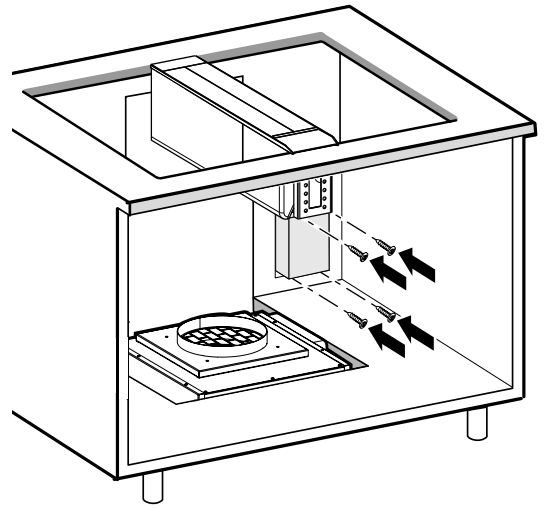




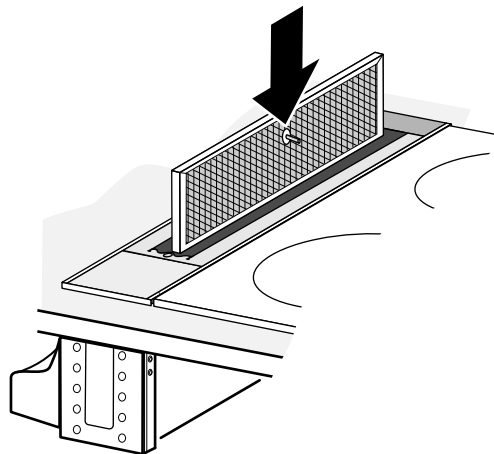
8a



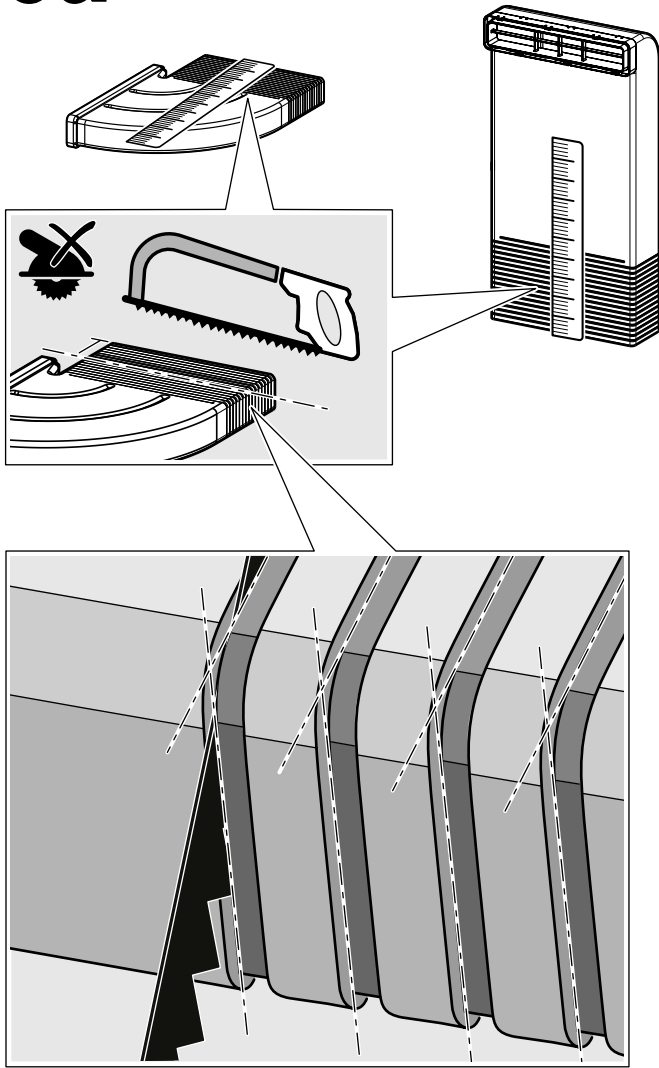
8b



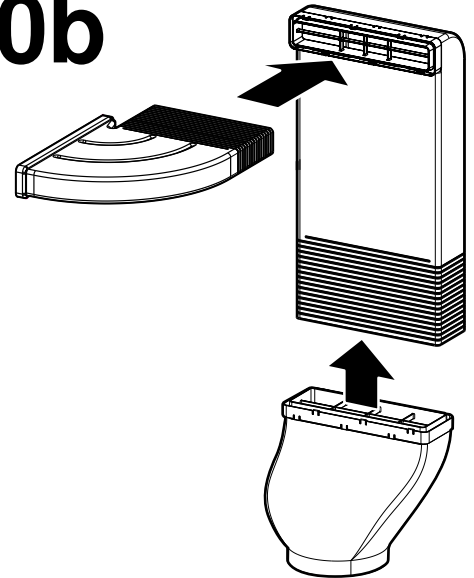
9



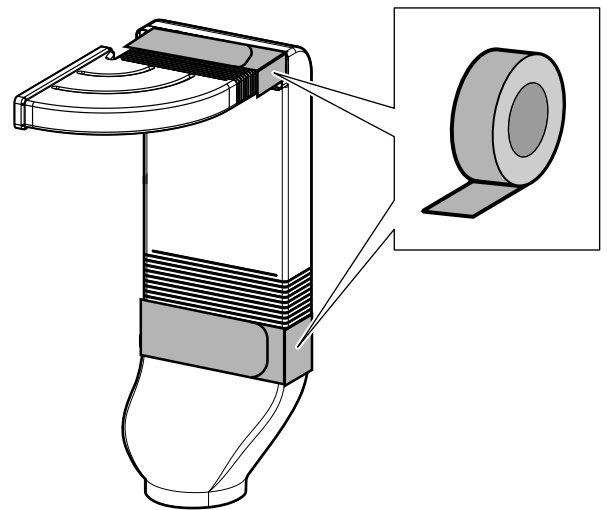
10a



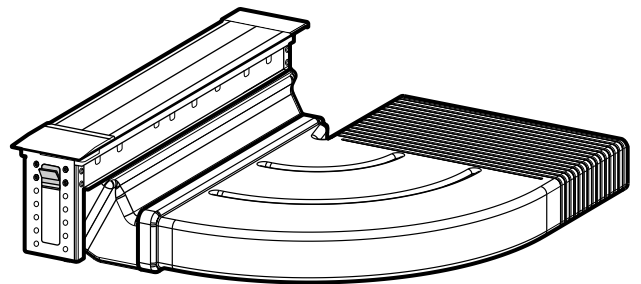
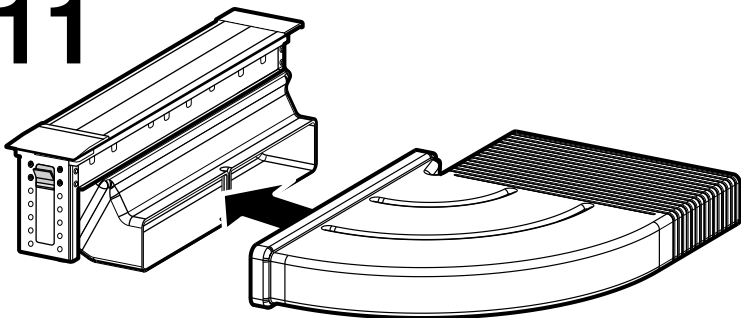
10b



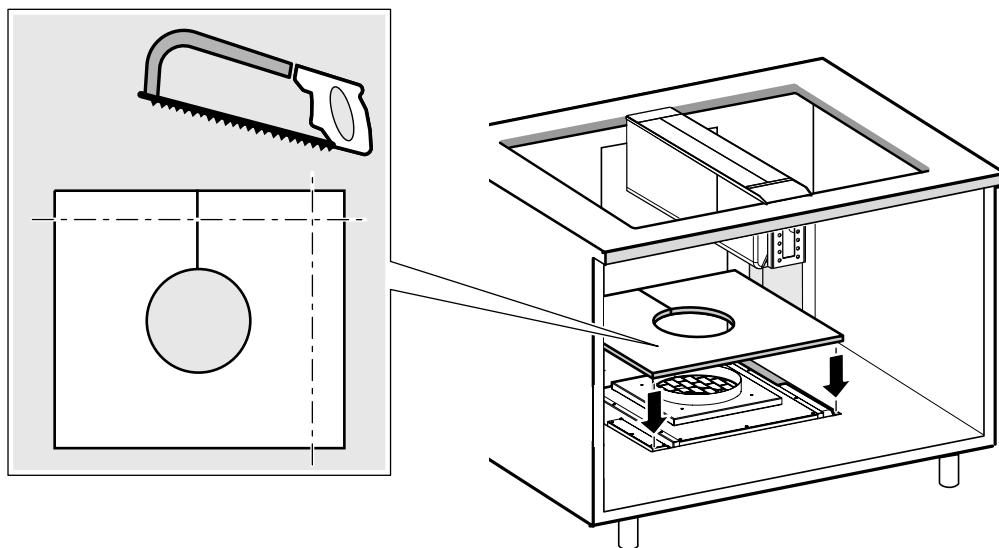
10c



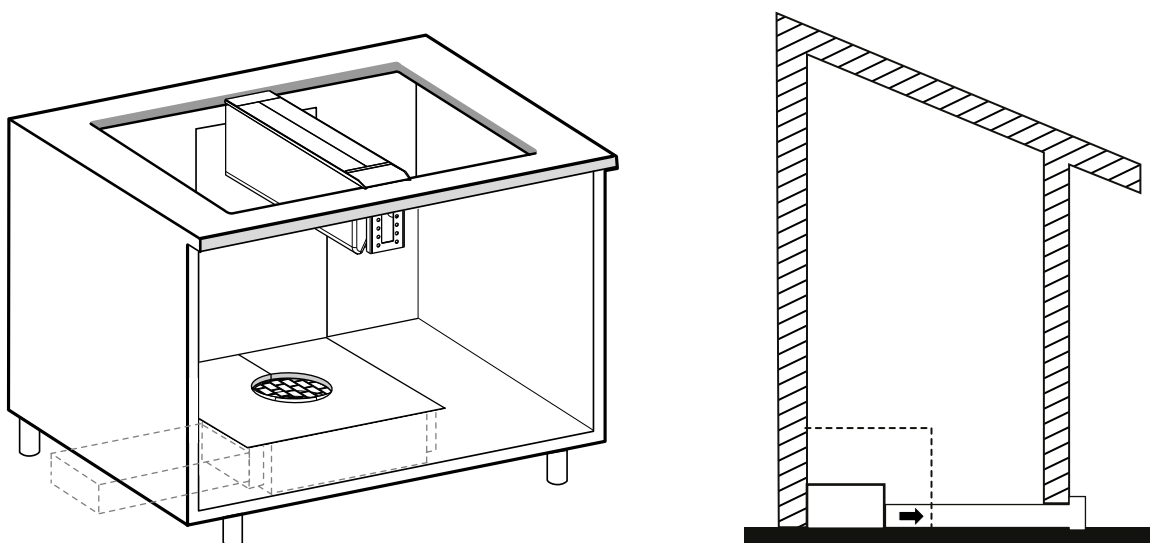
11



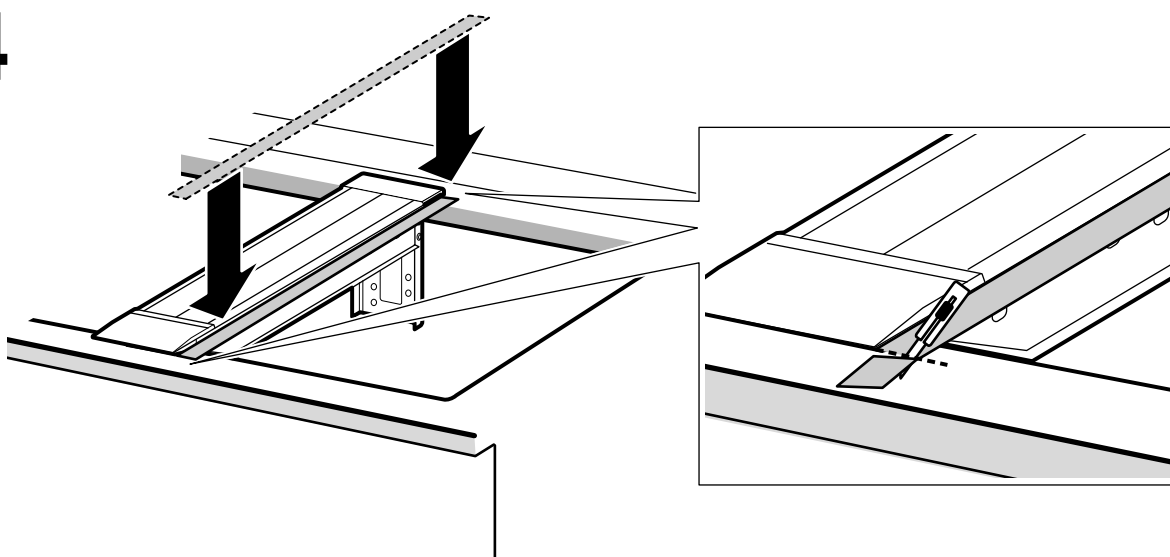
12



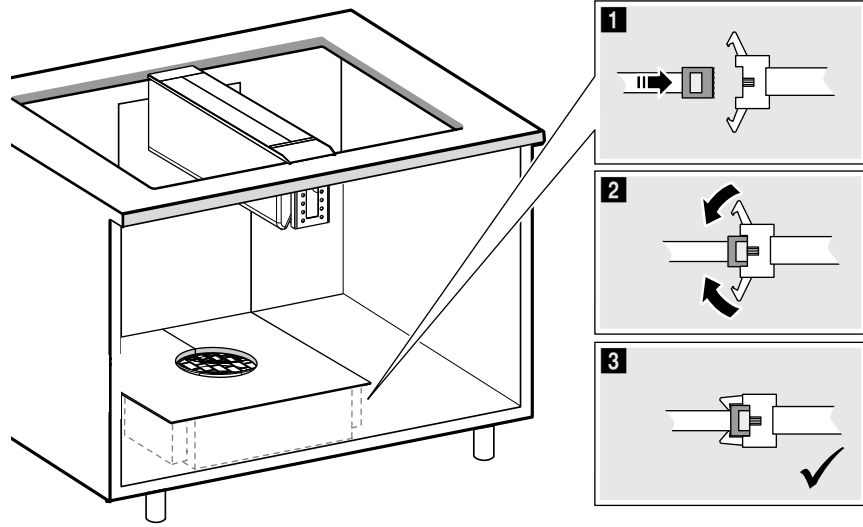
13



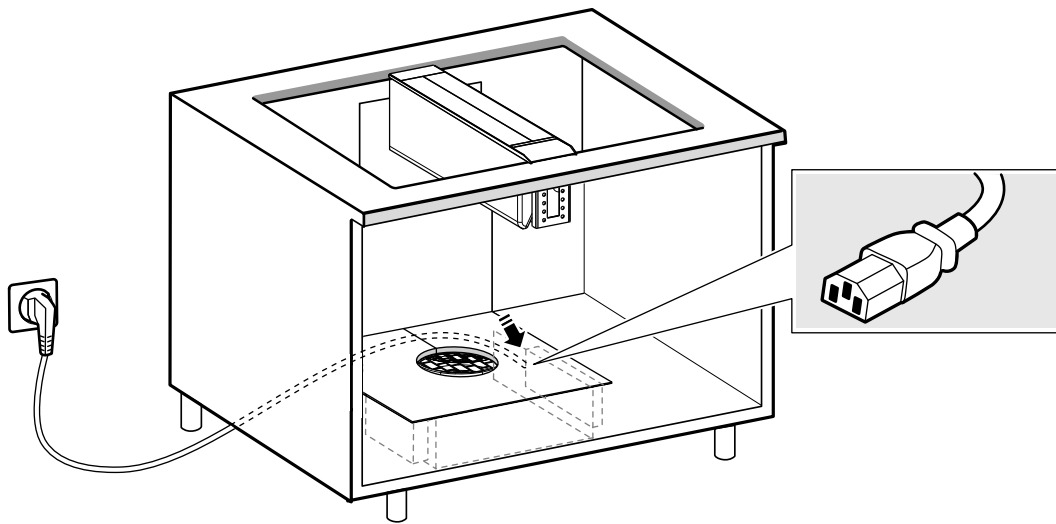
14



15



16



⚠ Important safety information

Read these instructions carefully. Only then will you be able to operate your appliance safely and correctly. Retain the instruction manual and installation instructions for future use or for subsequent owners.

The appliance can only be used safely if it is correctly installed according to the safety instructions. The installer is responsible for ensuring that the appliance works perfectly at its installation location.

Only combine the appliance with other appliances of the same brand.

The depth of the appliance must be equal to at least the depth of the hotplate.

Before carrying out any type of work, turn off the electricity.

For the installation, observe the currently valid building regulations and the regulations of the local electricity and gas suppliers.

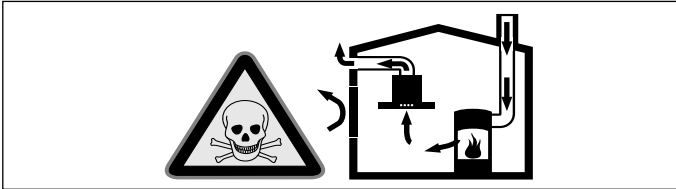
When conveying the exhaust air, official and legal regulations (e.g. state building regulations) must be followed.

This appliance corresponds to appliance class 3 (for installation in a kitchen unit). It must be fitted according to the installation drawing. Observe the minimum distance to side walls or furniture parts and to the rear wall.

Danger of death!

Risk of poisoning from flue gases that are drawn back in.

Always ensure adequate fresh air in the room if the appliance is being operated in exhaust air mode at the same time as room air-dependent heat-producing appliance is being operated.

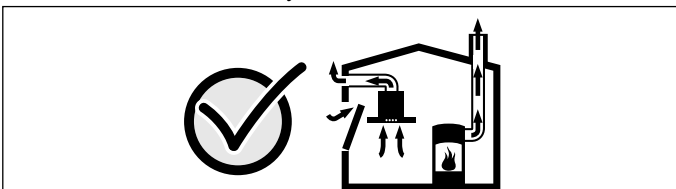


Room air-dependent heat-producing appliances (e.g. gas, oil, wood or coal-operated heaters, continuous flow heaters or water heaters) obtain combustion air from the room in which they are installed and discharge the exhaust gases into the open air through an exhaust gas system (e.g. a chimney).

In combination with an activated vapour extractor hood, room air is extracted from the kitchen and neighbouring rooms - a partial vacuum is produced if not enough fresh air is supplied. Toxic gases from the chimney or the extraction shaft are sucked back into the living space.

- Adequate incoming air must therefore always be ensured.
- An incoming/exhaust air wall box alone will not ensure compliance with the limit.

Safe operation is possible only when the partial vacuum in the place where the heat-producing appliance is installed does not exceed 4 Pa (0.04 mbar). This can be achieved when the air needed for combustion is able to enter through openings that cannot be sealed, for example in doors, windows, incoming/exhaust air wall boxes or by other technical means.



In any case, consult your responsible Master Chimney Sweep. He is able to assess the house's entire ventilation setup and will suggest the suitable ventilation measures to you.

Unrestricted operation is possible if the vapour extractor hood is operated exclusively in the circulating-air mode.

Danger of death!

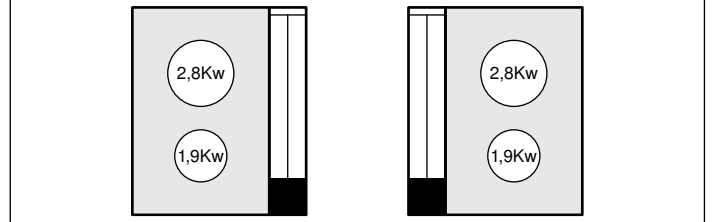
Risk of poisoning from flue gases that are drawn back in. If installing a ventilation system in a room with a heat-producing appliance connected to a chimney/flue, the electricity supply to the hood must be equipped with a suitable safety switch.

Danger of death!

Uncombusted gases could cause poisoning and explosions. When using town gas with an extractor hood, the extraction increases the likelihood of the flames going out. This can lead to gas that has not been combusted being discharged into the room. Do not use town gas.

Risk of fire!

- Operating multiple gas hotplates at the same time generates a great deal of heat. The ventilation appliance may become damaged or catch fire. The ventilation appliance must only be combined with gas hotplates that do not exceed a maximum total output of 4.7 kW spread over two burners.



- Grease deposits in the grease filter may catch fire. The specified safety distances must be observed in order to prevent an accumulation of heat. Observe the specifications for your cooking appliance. If gas and electric hobs are operated together, the largest specified distance applies.

Only one side of the appliance may be installed directly next to a high-sided unit or a wall. The distance between the appliance and wall or high-sided unit must be at least 50 mm.

Risk of fire!

Fatty deposits in the grease filter may catch fire. If the appliance is to be operated next to a gas-fired appliance, a gas deflector must always be fitted before you begin cooking.

Note: The gas deflector reduces deflection/disruption of the gas flames from the burners on the cooktop and prevents them from being blown out by draughts.

Risk of fire!

Fatty deposits in the grease filter may catch fire. Operating a gas wok gives rise to a great deal of heat. The appliance must not be combined with a gas wok.

Risk of fire!

Operating two gas hobs at the same time gives rise to a great deal of heat. The appliance must not be combined with two gas hobs.

Risk of fire!

Fatty deposits in the grease filter may catch fire. If the appliance is operated using town gas, the flame will burn erratically. Flames may be drawn into the appliance and ignite the fatty deposits in the grease filter. Do not use town gas.

Risk of fire!

Grease deposits in the grease filter may catch fire. Never work with naked flames close to the appliance (e.g. flambéing). Do not install the appliance near a heat-producing appliance for solid fuel (e.g. wood or coal) unless a closed, non-removable cover is available. There must be no flying sparks.

Risk of injury!

- Changes to the electrical or mechanical assembly are dangerous and may lead to malfunctions. Do not make any changes to the electrical or mechanical assembly.
- Components inside the appliance may have sharp edges. Wear protective gloves.
- Parts that are accessible during installation may have sharp edges. Wear protective gloves.

Risk of tipping!

The appliance is very narrow and can tip over easily. Do not set the appliance on an uneven surface. Set the appliance flat on the surface.

Risk of electric shock!

The appliance is equipped with an EU Schuko plug. In order to ensure protective earthing in a Danish socket, the appliance must be connected via an appropriate plug adaptor. This adaptor (permitted up to a maximum of 13 amps) can be obtained from the after-sales service (spare part no. 623333).

Risk of electric shock!

Components inside the appliance may have sharp edges. These may damage the connecting cable. Do not kink or pinch the connecting cable during installation.

Danger of suffocation!

Packaging material is dangerous to children. Never allow children to play with packaging material.

General information

Caution!

Damage to the appliance

The surfaces of the appliance are sensitive. Avoid damaging them during installation.

Notes

- All worktop-mounted ventilation systems need a dedicated fan module for operation in both air extraction and air recirculation mode.
- For operation in air extraction mode, if more than one worktop-mounted ventilation system is installed, each of these ventilation systems requires its own air extraction system, each with a dedicated opening in the wall to ensure that performance is not compromised in any way.

Exhaust air mode

Note: The air must not be discharged into a flue that is used for exhausting fumes from appliances burning gas or other fuels (not applicable to appliances that only discharge the air back into the room).

- The exhaust air must be conducted outside in suitable ducts.
- If the exhaust air is to be conveyed into a non-functioning smoke or exhaust gas flue, you must obtain the consent of the heating engineer responsible.
- If the exhaust air is conveyed through the outer wall, a telescopic wall box should be used.

Exhaust duct

Note: The appliance manufacturer does not provide any warranty for faults attributable to the pipeline.

- To optimise the appliance's performance, use a short, straight exhaust pipe and as large a pipe diameter as possible.
- If long, rough exhaust pipes, too many pipe bends or pipe diameters of less than 150 mm are used, the appliance will not achieve its optimal extraction performance and the fan will sound louder.
- The pipes or hoses for laying the exhaust line must be made from non-flammable material.
- Use only robust ducting elements that are smooth inside. Do not use flexible or woven fabric hoses.

Flat ducts

The inner cross section must correspond to the diameter of the round pipes.

150 mm diameter, approx. 177 cm²

- Flat ducts should not have any sharp bends.
- Flat ducts can measure up to 6 m.

Circulating-air mode

Note: The appliance must only be operated when it is securely installed and the pipework is connected.

Electrical connection

⚠ Risk of electric shock!

Components inside the appliance may have sharp edges. These may damage the connecting cable. Do not kink or pinch the connecting cable during installation.

Check the indoor installation before connecting the appliance. Ensure that the indoor installation is sufficiently fused. The voltage and frequency of the appliance must correspond to that of the electrical installation (see rating plate).

The appliance corresponds to protection class I and must only be operated with a protective earth connection.

An all-pole isolating switch with at least a 3 mm contact gap must be fitted in the installation. The plug must still be accessible after installation.

Only a qualified electrician who takes the appropriate regulations into account may install or replace the connecting cable.

If the power cord for the appliance becomes damaged, this must be replaced with a special connecting cable that can be obtained from the manufacturer or the manufacturer's customer service department.

Preparing for installation

Checking the fitted unit

- The fitted unit must be level and have sufficient load-bearing capacity.
- The maximum weight of the extractor hood is **12 kg**.
- The fitted unit must be heat-resistant up to 90 °C.
- The fitted unit must still be sturdy after the cut-outs have been made.
- Use suitable supporting structural measures beneath the worktop, especially if the worktop is not very thick, to ensure that it is both robust and capable of bearing the required load. Take into account the weight of the appliance and any additional loads. The reinforcing material used must be heat and moisture resistant.
- After making the cut-outs, remove any shavings. Seal cut surfaces with heat-resistant and waterproof material.
- The cut-out edges at the sides must be flat to ensure that the retaining springs sit correctly on the appliance. For laminate worktops, it may be necessary to secure strips at the sides in the cut-out.
- Make the cut-out in the worktop for one or more appliances in accordance with the installation drawing. The angle between the cut surface and the worktop must be 90°.
- Ensure that there is a minimum clearance of 45 mm between the bottom of the appliance and unit parts. **(Fig.A)**

Note: Check that the appliance is level once it has been installed in the installation opening.

Appliance dimensions and safety clearances

- Take the appliance's dimensions into account. **(Fig.A)**
- Comply with the safety clearances. **(Fig.1a)**

Preparing the units

Caution!

If the appliance is fitted next to a gas-fired appliance, a deep-fat fryer, a grill or a teppanyaki, fit the outlet opening of the flat duct connection facing away from the appliances.

1. Make the cut-out for the appliance in the work surface as shown in the installation drawing. **(Fig.1a)**

Note: Refer to the Combining multiple appliances insert to calculate the width of the cut-out.

2. Make the cut-out in the back panel of the unit as shown in the installation drawing, taking the depth of the unit into account. **(Fig.1b)**

3. Make the cut-out in the bottom of the unit as shown in the installation drawing, taking the position of the fan module into account. **(Fig.1c)**

Notes

- **(Fig.1c)** shows an example of installation. Where the cut-out should be positioned depends on the position of the fan module.
 - Make the cut-out in the bottom of the unit such that the fan module is still accessible for servicing.
 - The fan module can be accessed from the unit at the back if it is being fitted in an island.
 - Take into consideration the layout of the kitchen when making the cut-out.
 - If you want to remove or move the feet of the unit, keep in mind that the dimensional accuracy and sturdiness of the unit must be maintained.
 - If you want to make a cut-out that differs from those shown in the drawing, keep in mind that the dimensional accuracy and sturdiness of the unit must be maintained.
4. Seal the cut edges of the cut-outs in the back panel of the unit and in the bottom of the unit. **(Fig.1b, 1c)**
5. Make an air outlet in the unit's base for operation in circulating-air mode.

Note: The air outlet must have a minimum cross section of approximately 530 cm². Make the outlet opening in the base panel as large as possible in order to keep draughts and noise to a minimum.

Combining multiple appliances

Connecting strips are required to attach adjacent appliances.

Notes

- Make sure that the connecting strips are screwed to those sides of the appliance that are to be adjacent to another appliance.
- The connecting strips for the 500-mm unit cut-out are pre-fitted when they are delivered.
- Choose the right length of connecting strip for the depth of your unit cut-out. **(Fig.2a, 2b)**
- Use installation brackets if the appliance is combined with an 80 cm hob. **(Fig.2c)**

Note: When combining the appliance with 80 cm hobs, refer to the sales documentation with regard to the hob layout. Only tested combinations are permitted. Please refer to the catalogue to find out which combinations have been tested.

Note: Please refer to the printed supplement for possible appliance combinations. Only the combinations listed are permitted.

Installing the appliance

⚠ Risk of injury!

Components inside the appliance may have sharp edges. Wear protective gloves.

1. Turn the appliance round. **(Fig.3)**

Caution!

Risk of damage: Place a piece of material underneath so that you do not scratch the surfaces of the appliance.

2. Fit the flat duct connection with the opening to either the left or the right. **(Fig.4)**

Caution!

- If the appliance is fitted next to a deep-fat fryer, a grill or a teppanyaki, fit the outlet opening of the flat duct connection facing away from the appliances.
- If the appliance is fitted next to a gas-fired appliance, fit the outlet opening of the flat duct connection such that it does not come into contact with the gas-fired appliance's piping.

Note: Make sure that the flat duct connection locks into place.

3. Measure the thickness of the worktop. **(Fig.5)**

Note: If the worktop is more than 40 mm thick, undo the four screws in the cooktop and reposition the cooktop.

4. Insert the appliance.

Notes

- Fit the cable such that it does not touch any of the appliance's hot surfaces.
- Do not use silicone to bond the appliance to the worktop.

5. Tighten the screws in the cooktop until the appliance can no longer slide around. **(Fig.6)**

6. If necessary, replace the side parts of the fan module. **(Fig.7)**

Note: If the foot has to be removed, take measures to ensure that the unit remains stable.

7. Insert the fan module into the unit cut-out. **(Fig.8a)**

8. If there is no space for the control unit in the base of the unit, fit it in an easily accessible place on the inner panelling of the unit. **(Fig.8b)**

Caution!

Penetrating moisture may cause electric shock. Do not secure the control unit to the bottom of the fitted unit.

9. Remove all the protective film once the fitting work is complete.

10. Insert the metal grease filter. **(Fig.9)**

Note: Make sure that, when the metal grease filter is in the groove, it has its back facing the outlet.

Connecting the appliance

Notes

- For exhaust-air operation, a backflow flap should be fitted. If a backflow flap has not been included with the appliance, it can be obtained from a specialist retailer.
- If the exhaust air is conveyed through the outer wall, a telescopic wall box should be used.

Connecting the air extractor

1. Shorten the flat ducts if necessary. **(Fig.10a)**
2. Secure the flat ducts. **(Fig.10b)**
3. Fit the bracket to the flat duct connection. **(Fig.11)**
4. Secure the flat duct to the fan module using two self-tapping screws.
5. Use suitable adhesive tape to seal the joints. **(Fig.10c, 11)**
6. Cut the covering plate to size and secure it in place. **(Fig.12)**
7. Fit the seal to the connecting strip between the appliance and the hob. **(Fig.14)**

Establishing the connection for the circulated air

Circulating-air mode requires an optional special accessory. Observe the documentation accompanying the special accessory.

Establishing a connection to the mains

1. Connect the control cables from the appliance to the control unit. Lock the clips onto the connector. **(Fig.15)**
2. Plug the mains plug into the control unit and the earthed socket. **(Fig.16)**

Note: If a fixed connection is required, refer to the Electrical connection section in the General information chapter.

Removing the appliance

1. Disconnect the appliance from the power supply.
2. Remove the exhaust air channel.
3. Remove the control unit.
4. Remove the fan module.
5. Detach the cooktop.
6. Push out the appliance from below.

Caution!

Damage to the appliance: Do not prise out the appliance from above.