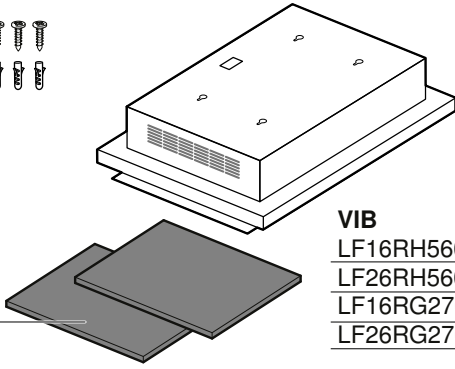


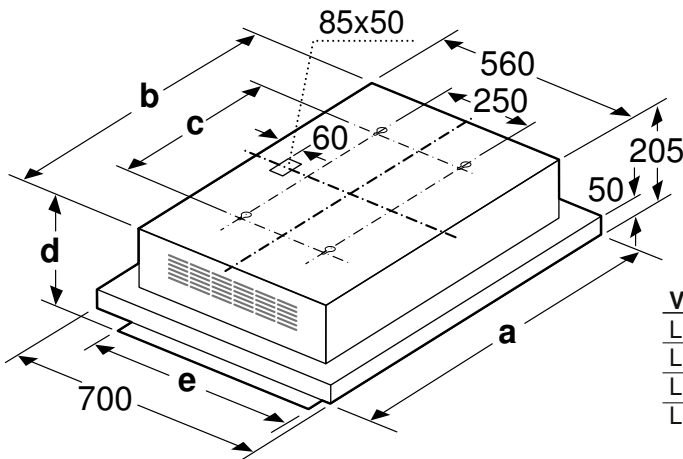


5 x       
 5 x     



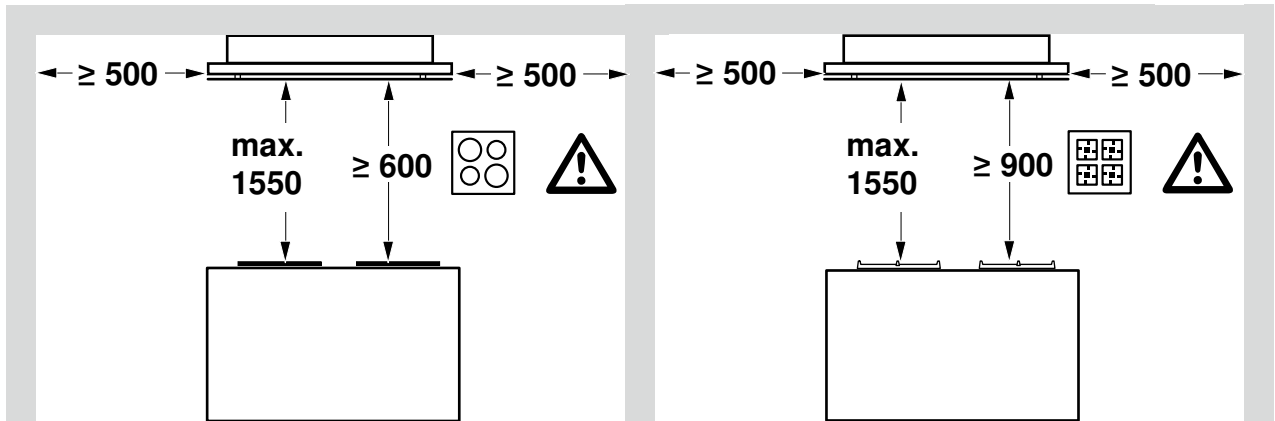
VIB	N
LF16RH560	2x
LF26RH560	3x
LF16RG270	2x
LF26RG270	3x

# A

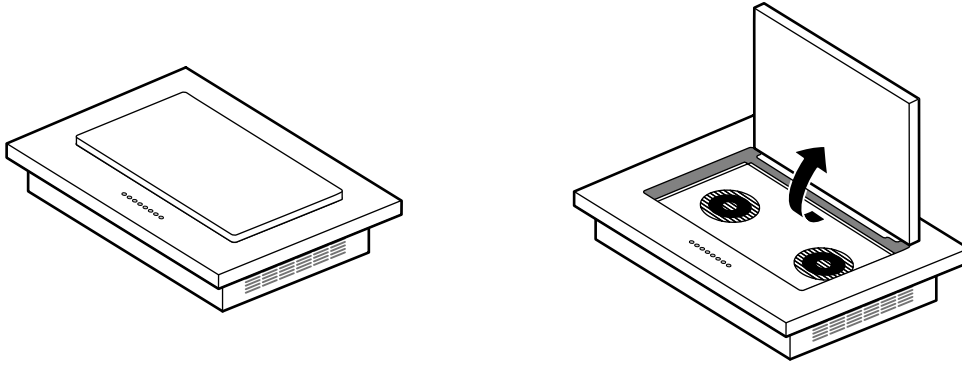


VIB	a	b	c	d	e
LF16RH560	1000	860	500	245	570
LF26RH560	1200	1060	700	245	570
LF16RG270	1000	860	500	239	467
LF26RG270	1200	1060	700	239	467

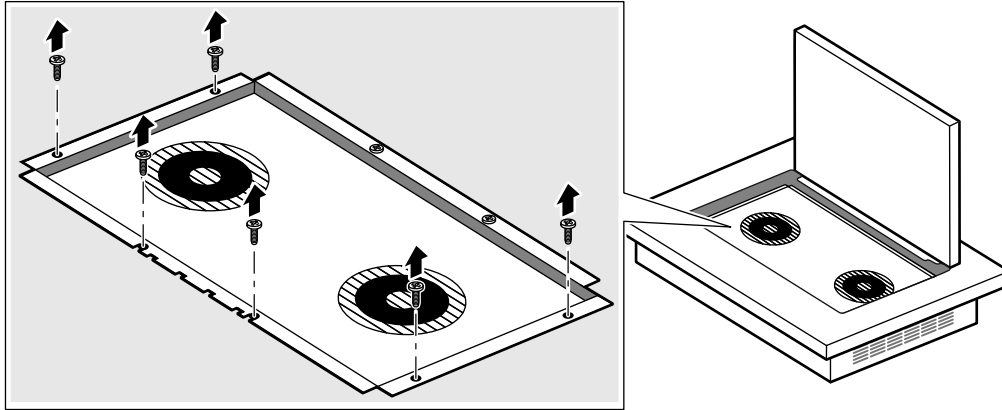
# B



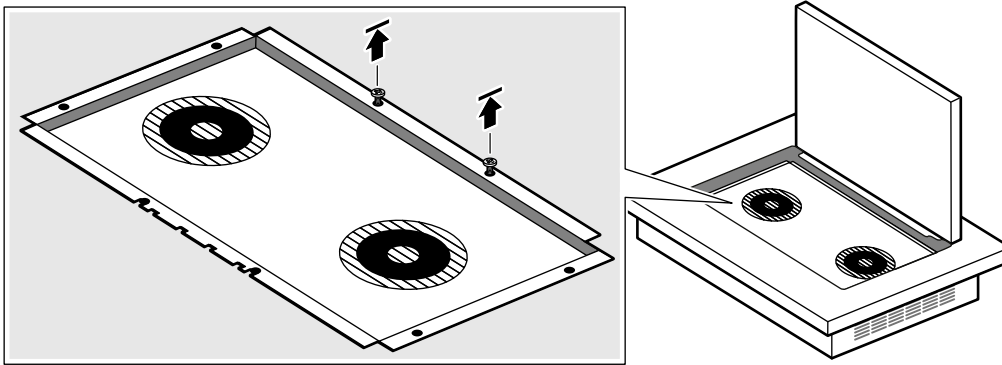
1a



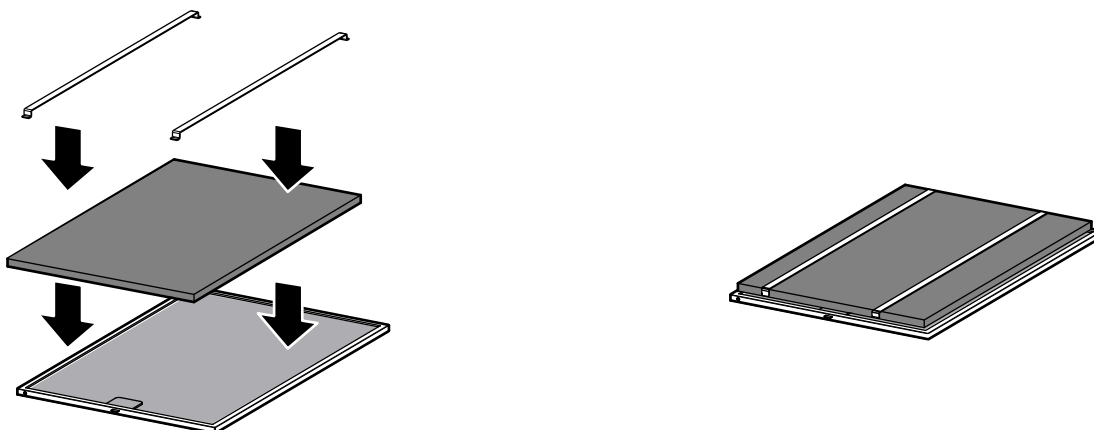
1b



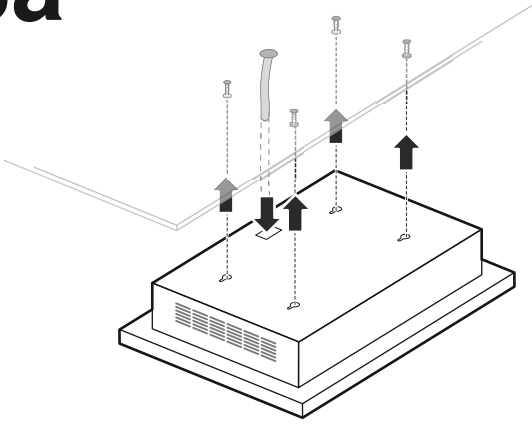
1c



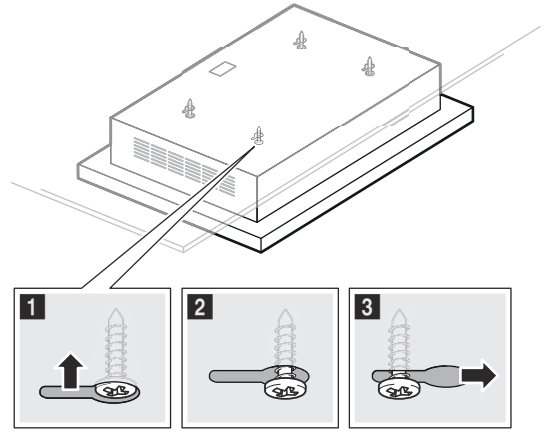
2



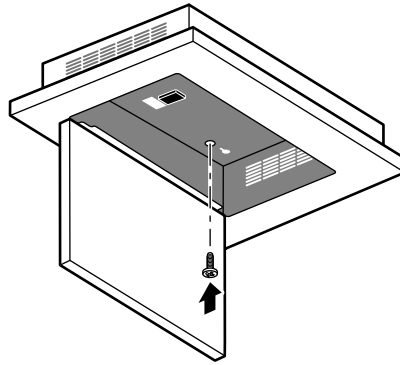
**3a**



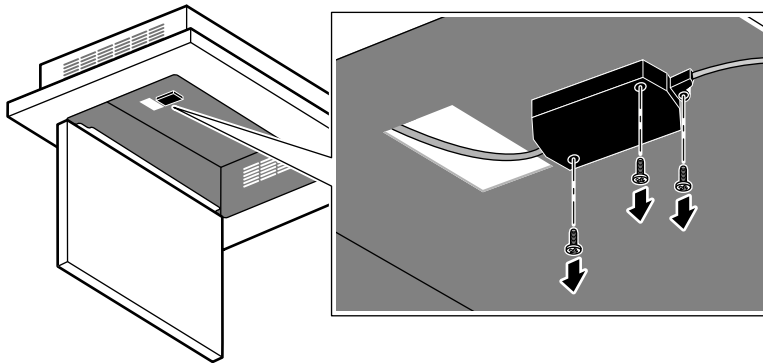
**3b**



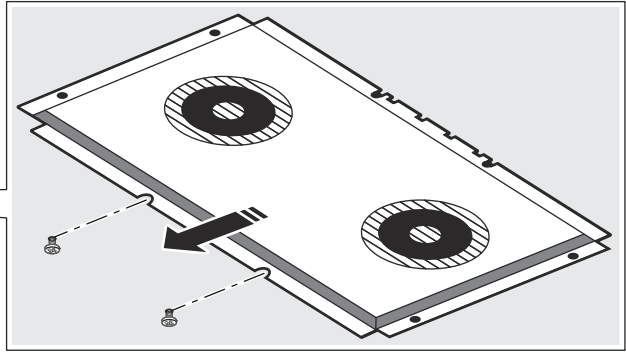
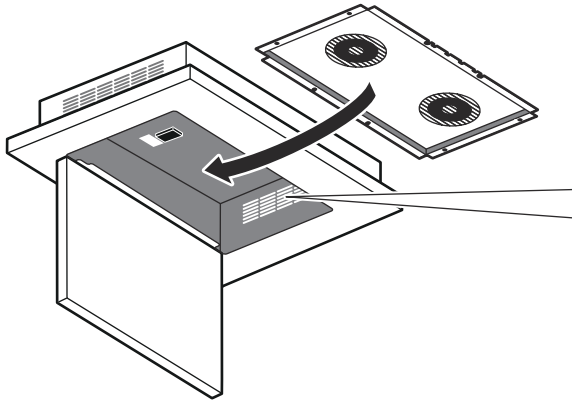
**3c**



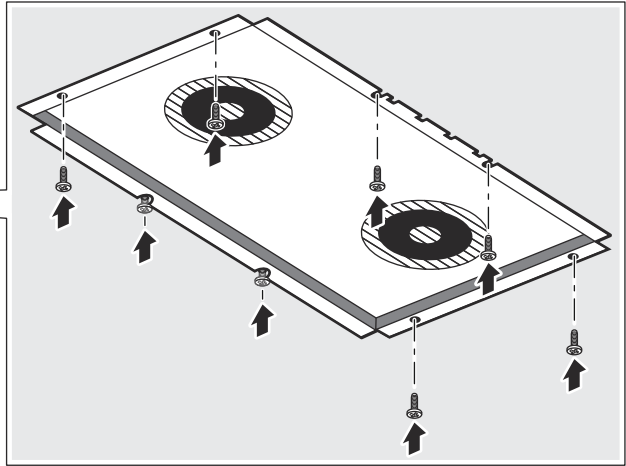
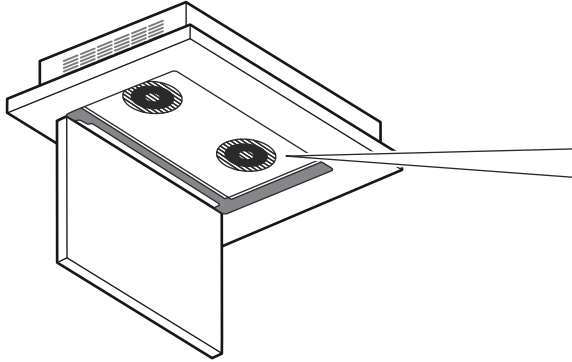
**4**



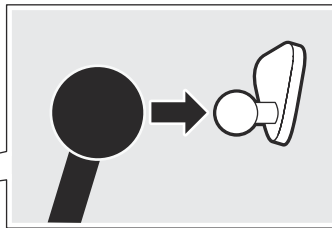
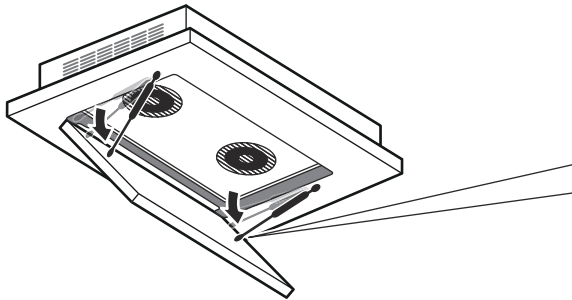
**5a**



**5b**



**5c**



Read these instructions carefully. Only then will you be able to operate your appliance safely and correctly. Retain the instruction manual and installation instructions for future use or for subsequent owners.

Check the appliance for damage after unpacking it. Do not connect the appliance if it has been damaged in transport.

The appliance can only be used safely if it is correctly installed according to the safety instructions. The installer is responsible for ensuring that the appliance works perfectly at its installation location.

The width of the extractor hood must correspond to at least with the width of the hob.

For the installation, observe the currently valid building regulations and the regulations of the local electricity and gas suppliers.

#### ⚠ **Danger of suffocation!**

Packaging material is dangerous to children. Never allow children to play with packaging material.

#### ⚠ **Risk of electric shock!**

- Components inside the appliance may have sharp edges. These may damage the connecting cable. Do not kink or pinch the connecting cable during installation.
- It must always be possible to disconnect the appliance from the electricity supply. The appliance must only be connected to a protective contact socket that has been correctly installed. If the plug is no longer accessible once the appliance has been installed, or a fixed connection is required, the installation must have an all-pole isolating switch with a contact gap of at least 3 mm. Only an electrician may install the fixed connection. We recommend installing a residual-current circuit breaker (RCCB) in the appliance's power supply circuit.

#### ⚠ **Risk of fire!**

- Fatty deposits in the grease filter may catch fire. The specified safety clearances must be complied with in order to prevent a build-up of heat. Refer to the information provided for your cooker. If gas and electric hobs are being operated together, the largest specified clearance applies.

The clearance between the appliance and the wall or high-sided unit must be at least 500 mm on both of the appliance's short sides.

- Grease deposits in the grease filter may catch fire. Never work with naked flames close to the appliance (e.g. flambéing). Do not install the appliance near a heat-producing appliance for solid fuel (e.g. wood or coal) unless a closed, non-removable cover is available. There must be no flying sparks.

#### ⚠ **Risk of injury!**

- Components inside the appliance may have sharp edges. Wear protective gloves.
- The appliance may fall down if it has not been properly fastened in place. All fastening components must be fixed firmly and securely.
- The appliance is heavy. To move the appliance, 2 people are required. Use only suitable tools and equipment.
- Changes to the electrical or mechanical assembly are dangerous and may lead to malfunctions. Do not make any changes to the electrical or mechanical assembly.
- The appliance is very heavy. The appliance must not be fitted directly onto plasterboard or similar lightweight materials. To ensure correct installation, you must use a material which is sufficiently stable and suitable for both the structural conditions and the weight of the appliance.
- Risk of falling when working on the appliance. Use a stable stepladder.

#### ⚠ **Risk of tipping!**

The appliance is very narrow and can tip over easily. Do not set the appliance on an uneven surface. Set the appliance flat on the surface.

## General information

### Caution!

Damage to the appliance

The surfaces of the appliance are sensitive. Avoid damaging them during installation.

### Electrical connection

#### ⚠ **Risk of electric shock!**

Components inside the appliance may have sharp edges. These may damage the connecting cable. Do not kink or pinch the connecting cable during installation.

The required connection information is on the appliance's identification plate.

This appliance complies with the EC interference suppression regulations.

The appliance must only be connected by a licensed professional. The appliance must be installed in accordance with the most recent IEE (Institute of Electrical Engineers) guidelines. The appliance may be damaged if it is not connected correctly.

Make sure that the voltage of the power supply corresponds to the value specified on the rating plate.

Ensure that the power supply is properly earthed and that the fuse and the wiring and piping system in the building is sufficiently dimensioned for the electrical power of the appliance.

Observe the following points when routing the connecting cable:

- Do not pinch or squeeze the cable.
- Keep the cable away from sharp edges.
- Do not bring the cable into contact with parts that can reach temperatures of more than 50 °C above room temperature.

The appliance corresponds to protection class 1 and must only be operated with a protective earth connection.

The appliance must be disconnected from the power supply during all installation work.

Contact protection must be ensured by the installation.

The appliance must only be connected by a licensed professional. They are subject to the regulations of the local electricity provider.

### Power cable without a three-pin earthed plug

An all-pole isolating switch with a contact gap of at least 3 mm must be fitted during installation. Identify the live and neutral conductors in the connection cable. The appliance may be damaged if it is not connected correctly.

Connection to 220 - 240 V nominal voltage. Connect the wires of the mains power cable according to the colour coding: Green/yellow = PE conductor (⊕), blue = neutral conductor, brown = live (external conductor).

## Preparing for installation

### Checking the ceiling

- The ceiling must be flat, horizontal and adequately load-bearing.
- The max. weight of the extractor hood differs depending on the appliance.

VIB	Weight
LF16RH560	35 kg
LF26RH560	39 kg
LF16RG270	40 kg
LF26RG270	45 kg

### Appliance dimensions and safety clearances

- Observe the appliance's dimensions. (**Fig. A**)
- Comply with the safety clearances. (**Fig. B**)

If the installation instructions for the gas cooking appliance specify a different distance, the larger of the two must always be provided for.

## Preparing the ceiling

### Notes

- When mounting the extractor hood, a suitable substructure is required that is securely fastened to the concrete ceiling.
  - Do not fit the ceiling ventilation directly onto plasterboard (or similar lightweight materials) in a suspended ceiling.
  - To ensure correct installation, you must use a material which is sufficiently stable and suitable for both the structural conditions and the weight of the appliance.
1. Use the drill jig to mark where the holes are to be drilled.
  2. Depending on the material from which the ceiling is made, drill holes with an appropriate diameter for securing screws and the safety screw.
  3. Select screws for mounting the appliance based on the material from which the ceiling is made.  
**Note:** The scope of delivery includes screws for securing the appliance to a concrete ceiling. Select suitable screws if you are securing it to a wooden ceiling. When selecting the screws, note the weight of the appliance and the type of wood used in the ceiling.
  4. Screw in the screws for the appliance bracket loosely; do not tighten them fully.

## Preparing the appliance

**Note:** Refer to the **Electrical connection** section in the **General information** chapter.

1. Take hold of the filter cover with two hands and open it. **(Fig.1a)**
2. Remove the metal grease filter.
3. Undo the six screws fully. **(Fig.1b)**
4. Only undo the two screws halfway. **(Fig.1c)**  
**Note:** Do not undo any screws that are not used to secure the covering sheet.
5. Remove the cover plate.
6. Fit the activated charcoal filter onto the metal grease filter. **(Fig.2)**

## Preparing the power supply

1. Undo the three screws. **(Fig.4)**
2. Remove the cover.
3. Remove the lustre terminal.

## Installing the appliance

### ⚠ Risk of injury!

Components inside the appliance may have sharp edges. Wear protective gloves.

### ⚠ Risk of injury!

The appliance is heavy. To move the appliance, 2 people are required. Use only suitable tools and equipment.

### Attach the appliance

1. When fitting the appliance without a frame, make sure that the cable connection in the ceiling is positioned directly over the opening in the appliance housing. If necessary, run the power cable in the ceiling to the required location. **(Fig.3a)**
2. Guide the power cable through the opening.
3. Have two people help you lift the appliance and push on the cover so that the securing screws that were previously attached protrude through the keyholes. **(Fig.3a)**
4. Move the appliance as far as it will go. **(Fig.3b)**
5. Screw in the screws for the appliance bracket fully.
6. Secure the safety screw. **(Fig.3c)**

## Connecting the appliance

### Establishing a connection to the mains

**Note:** To find out the correct fuse rating, see the total connected load (in watts) on the appliance's rating plate.

1. Connect the appliance to the power supply.
2. Secure the lustre terminal.
3. Use three screws to secure the cover.

**Note:** If a fixed connection is required, refer to the **Electrical connection** section in the **General information** chapter.

## Fitting the cover plate and metal grease filter

1. Hook the cover plate onto the two half-undone screws. **(Fig.5a)**
2. Tighten all screws fully. **(Fig.5b)**
3. Insert the metal grease filter with activated charcoal filter.
4. Fit the gas pressure springs. **(Fig.5c)**

## Removing the appliance

### ⚠ Risk of injury!

The appliance is heavy. To move the appliance, 2 people are required. Use only suitable tools and equipment.

1. Disconnect the appliance from the power supply.
2. Take hold of the filter cover with two hands and open it.  
**Note:** Make sure that the filter cover does not slam shut.
3. Remove the metal grease filter.
4. Remove the cover plate.
5. Disconnect the power supply.
6. Have a second person help you to secure the appliance so that it does not fall.
7. Undo the safety screw.
8. Unscrew in the screws for the appliance bracket slightly; do not loosen them fully.
9. Have two people help you inspect the unit.



